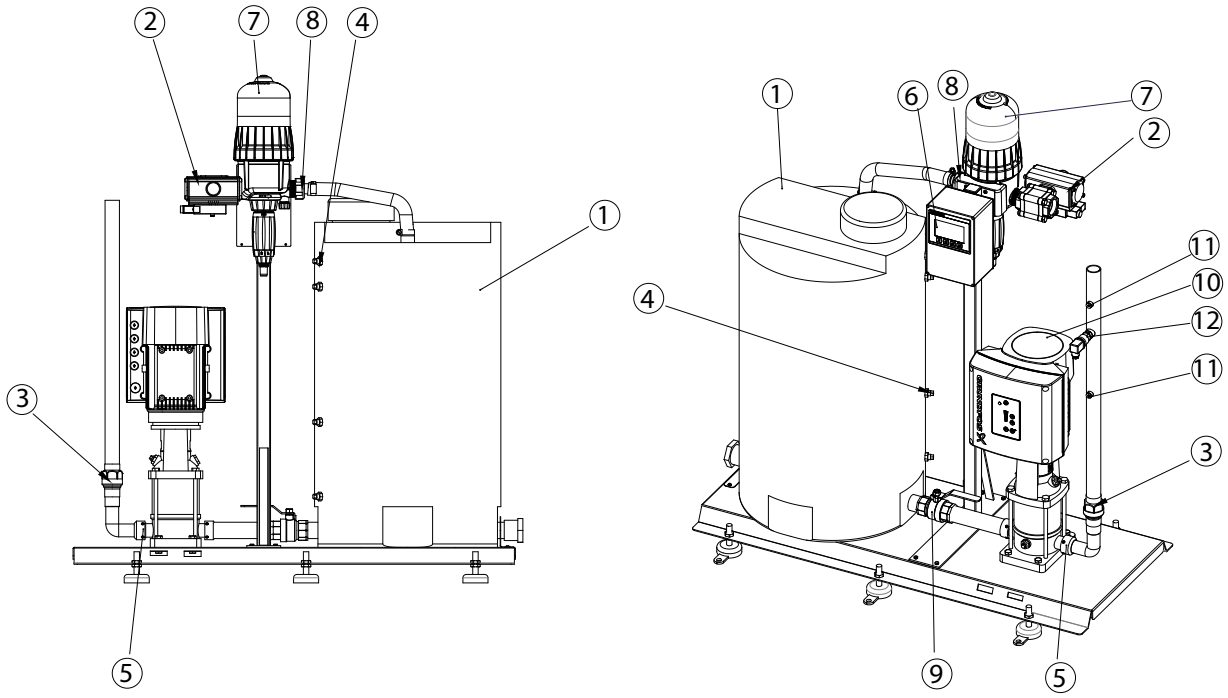


Recommended spare parts
Empfehlenswerte Ersatzteile
Pièchange conseièes
Piezas de requesto recomendadas

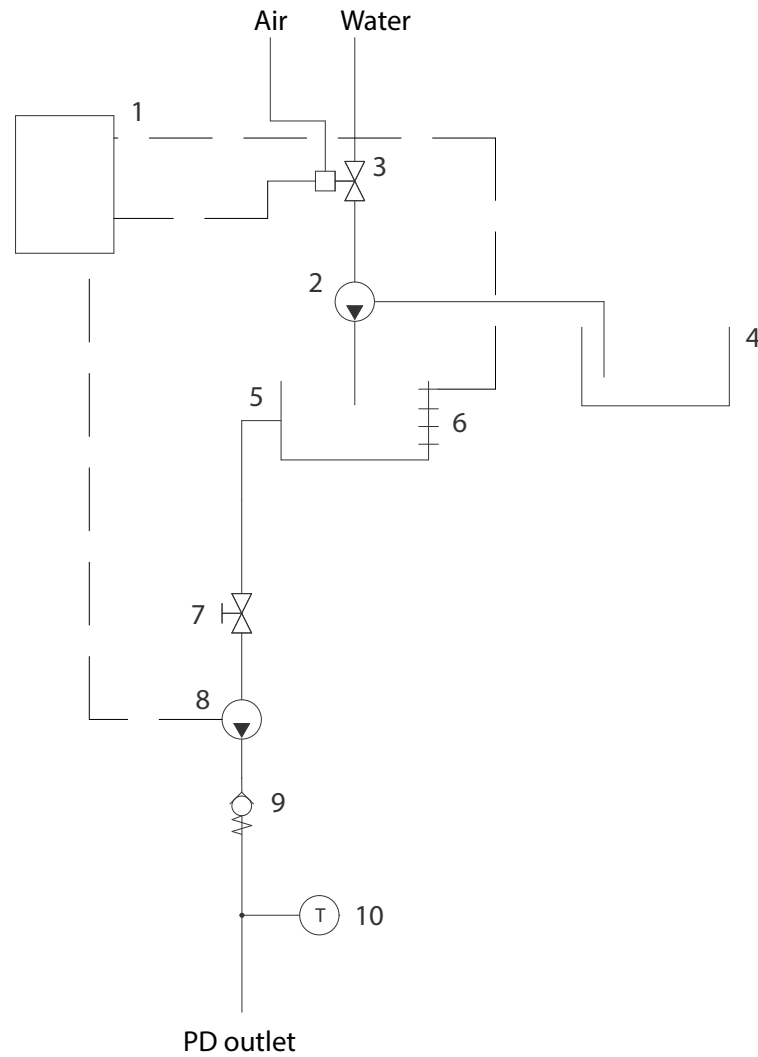
Layout and Parts Mixing Station



11900599_1

Pos./Ref.	Nr. No.	Description Beschreibung Désignation Designación	Amount
1	0636050	Tank	1
2	110005485	Valve complete Mix 10	1
2	0603102	Valve complete Mix 25	1
3	110002403	Non return valve 1 1/4"	1
4	313600	Level switch	4
5	603700	O-ring for pump coupling	2
6	110006196	Controller for MIX25	1
7	110006766	Dosing Pump AF Mix 10 1-5%	1
7	110006767	Dosing Pump VF Mix 10 1-5%	1
7	110006768	Dosing Pump AF Mix 10 0,2-2%	1
7	110006769	Dosing Pump VF Mix 10 0,2-2%	1
7	110002927	Dosing Pump AF Mix 10 0,03-0,3%	1
7	110004245	Dosing Pump VF Mix 10 0,03-0,3%	1
7	110002401	Dosing Pump Mix 25 AF 1-5%	1
7	110002665	Dosing Pump Mix 25 VF 1-5%	1
7	110003647	Dosing Pump Mix 25 AF 0,2-2%	1
7	110003657	Dosing Pump Mix 25 VF 0,2-2%	1
8	110003035	Hose nippel with union	1
9	359988	Ball valve	1
10	110006770	Pump CRNE 5-6/4,0 kW for Mix	1
11	110000573	Plug 1/4"	2
12	110005479	Pressure transmitter kit	1

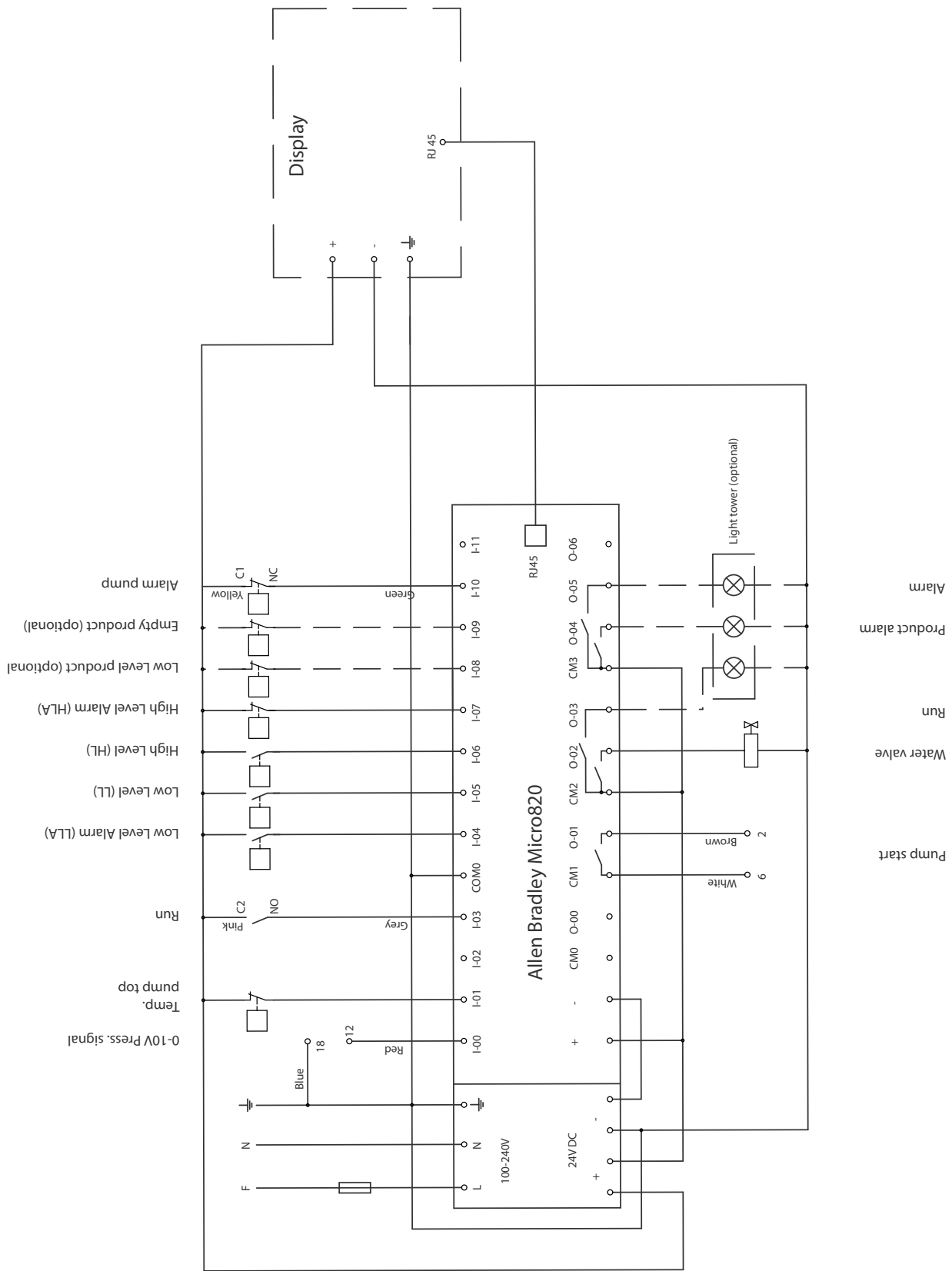
Flow Diagram Mixing Station



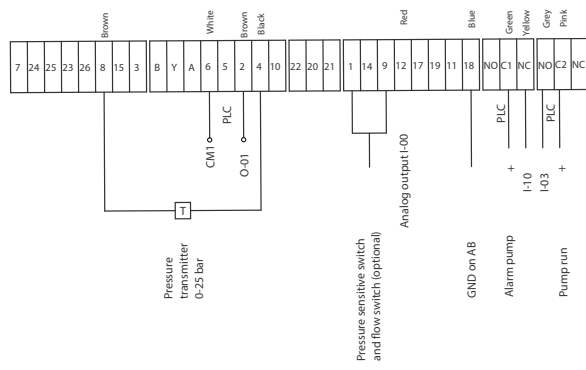
1. Controller
2. Dosing pump
3. Ball valve w. actuator and solenoid
4. Tank for detergent
5. Tank for pre-diluted detergent
6. Level sensors
7. Ball valve
8. Pump
9. Non return valve
10. Pressure transmitter

119000599_3

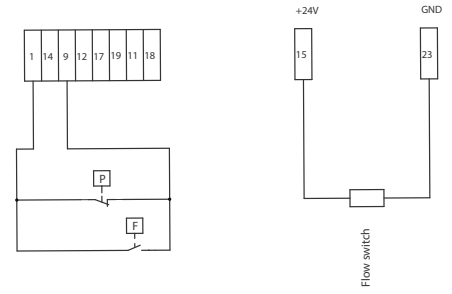
EI Diagram



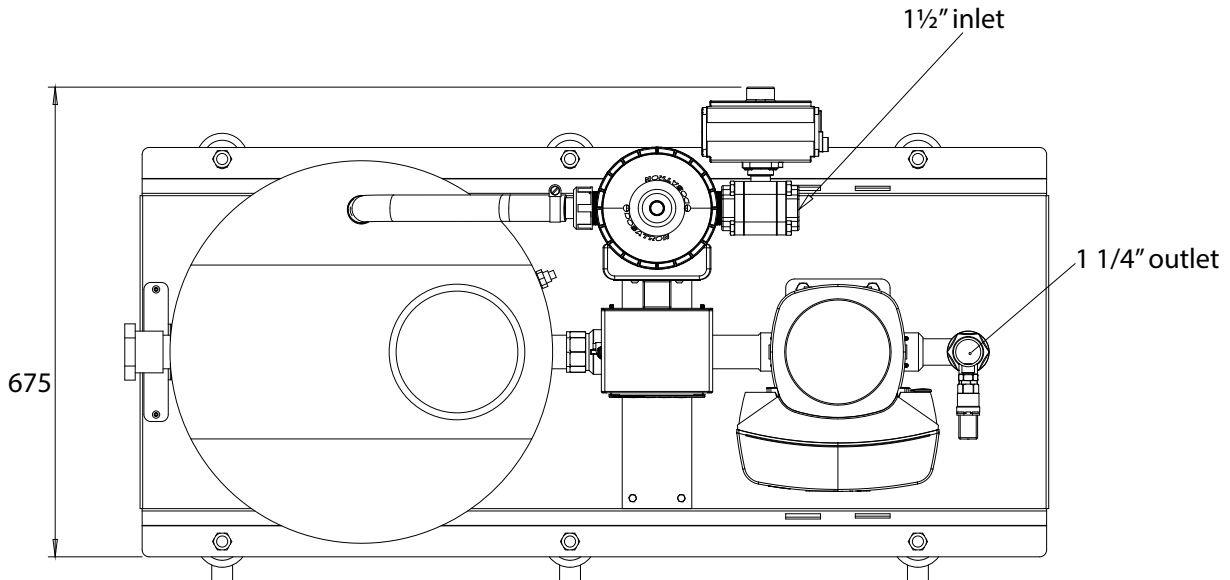
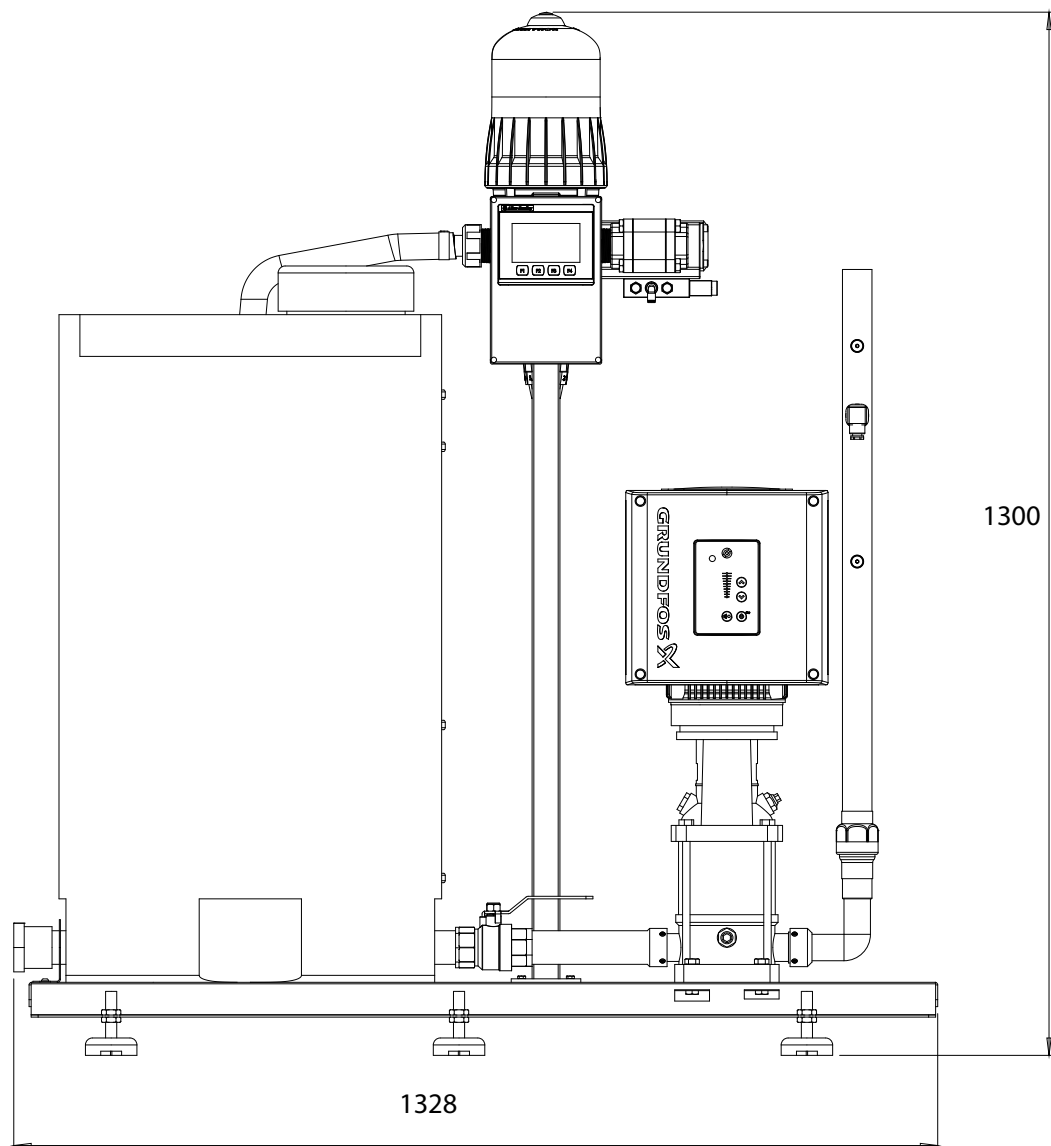
110006257D-1



Pressure start and flow stop (optional)



Mounting Mixing station



119000599_2

Nilfisk **FOOD**

No.: 110006302E 10/2019
Serial no: 140.02.000XXX

Printed in Denmark