

Directions for Use

Topax Hygiene System

Satellite Station S 3200

for Dilute Chemical Products

Contents		Page
1.	Preface	1
	1.0 Application	1
	1.1 Special warnings	2
	1.2 Safety instructions	2
2.	Product Survey	3
	2.0 Arrangement	3
	2.1 Basic Unit	4
	2.2 Accessories	4
3.	Description of Function	5
	3.0 Flow Chart	5
4.	Installation	6
	4.0 Directions for Mounting	6
	4.1 Water Connection	8
	4.2 Air Connection	9
	4.3 Supply of Dilute P3 Topax Products	9
	4.4 Hose Connection	10
5.	Operation Instructions	11
	5.0 Symbols	11
	5.1 Layout Drawings	12
	5.2 Start up Procedures	15
	5.3 Directions during Operation	16
	5.4 Stop Procedures	16
	5.5 System Safety	17
6.	Technical Specifications	18
	6.0 Technical Data	18
	6.1 Identification Plate	19
7.	Maintenance	20
	7.0 Instructions	20
	7.1 Trouble Shooting and Remedy	21
8.	Components	24
	8.0 Exploded Drawings of S 3200 with Spare Parts List	24
9.	Warranty	30
10.	User Service	31
	10.0 International Henkel-Ecolab Address List	31

1. Preface

Topax Hygiene Systems are used for rinsing, foaming or spraying of detergents and sanitisers. The formation of foam is performed by mixing water, detergent or sanitiser and air in a specially designed mixing chamber.

It is important that your operational staff reads the directions for use prior to the installation and start of operation. Operation as laid down in these directions for use will ensure an optimum level of hygiene in your factory and a minimum level of maintenance and repair work.

1.0 Application

The cleaning station S 3200 is connected to a booster/pump station by means of a fixed piping system.

The station is equipped with a mixing device ensuring that the S 3200 unit functions as a complete cleaning station. The cleaning unit is designed for the cleaning of walls and floors in factory rooms, of production machinery, of transport systems such as conveyors, transport trucks, transport boxes, containers, moulds etc., and can be used for internal and external cleaning of vehicles.

The station is made of corrosion resistant materials, mainly stainless steel, and is therefore especially suitable for application within the food industry. If you need information on further applications, please contact Henkel-Ecolab.

The combination of a booster pump, a dosing unit for detergent and sanitiser, and a mixing chamber makes it possible to:

- a) pre-rinse with water
- b) clean with foam
- c) rinse off with water
- d) sanitise with spray or foam
- e) final rinse with water

1.1 Special Warnings

The special warnings **CAUTION**, **ATTENTION** and **NOTE** used in this Technical Manual have the following meanings:

CAUTION: This term is used to highlight the fact that complete or even partial failure to properly adhere to operating instructions, working instructions, specified working sequences and similar can cause injuries or accidents.

ATTENTION: This term is used to highlight the fact that complete or even partial failure to properly adhere to operating instructions, working instructions, specified working sequences and similar can cause damage to the equipment.

NOTE: This term is used to draw attention to a particular feature.

1.2 Safety Instructions

Repairs must only be carried out when the unit has been turned off and depressurized.

ATTENTION!

Maintenance is only to be performed by authorized engineers.

2. Product Survey

2.0 Guidelines for Pipe Connections

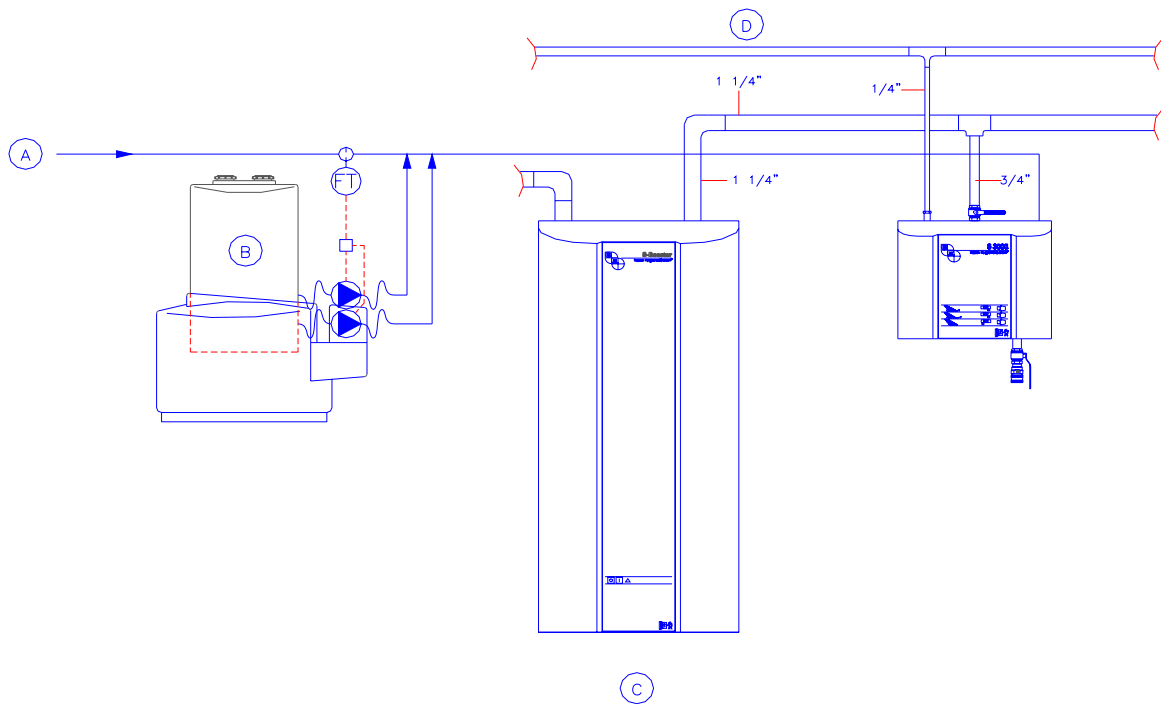


Fig. 2.0.1

17072

- (A) Water, 2-6 bar.
- (B) P3-Protect.
- (C) Water supply max. 4 bar and min. 2 bar, temperature max. 70°C. Pipe dimensions min. 1 1/4" at a pressure of 3.5 bar. Pipe dimensions min. 1 1/2" at a pressure not exceeding 3.5 bar.
- (D) Air supply min. 6 bar and 200 l/min.

2.1 Basic Unit

The station consists of the S 3200 unit inclusive of the accessories listed below.

2.2 Accessories

The S 3200 is equipped with the following standard accessories:

1. Wall bracket
2. Nozzle holder
3. Rinse lance 750 mm with 30 l tornado nozzle and nozzle protection
4. Foam nozzle for detergents with 200 l nozzle and nozzle protection
- 4a. Foam nozzle for sanitisers with nozzle and nozzle protection (S 3200D only)
5. Tornado rinse nozzle with nozzle protection
- 5a. 30 l spray nozzle with nozzle protection (S 3200DF only)

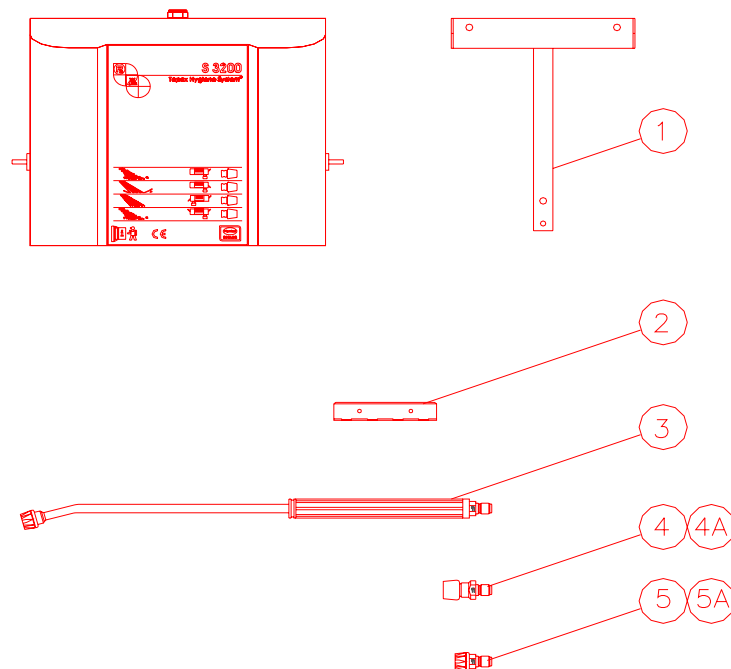
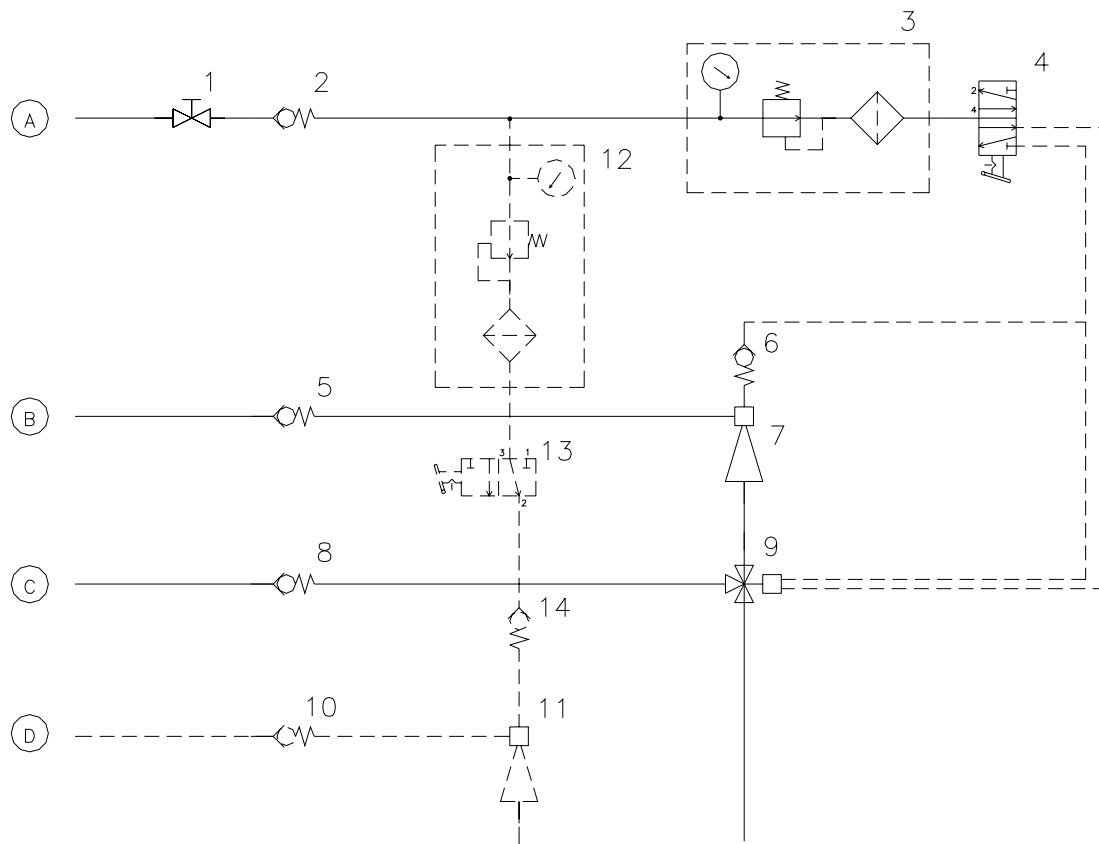


Fig. 2.2.1

3. Description of Function

3.0 Flow Chart



07116

Fig. 3.0.1

- (A) Air.
 (B) Dilute detergent.
 (C) Water.
 (D) Dilute sanitiser. Items 10, 11, 12, 13 and 14 apply to S 3200D and S 3200DF only.

- | | |
|---|----------------------------------|
| 1. Air inlet valve | 6. Non-return valve |
| 2. Non-return valve | 7. Mixing chamber |
| 3. Air filter, -pressure regulator and -gauge | 8. Non-return valve |
| 4. 5/2 switch | 9. Three-way valve with actuator |
| 5. Non-return valve | 10. Non-return valve |
| | 11. Mixing chamber |

4. Installation

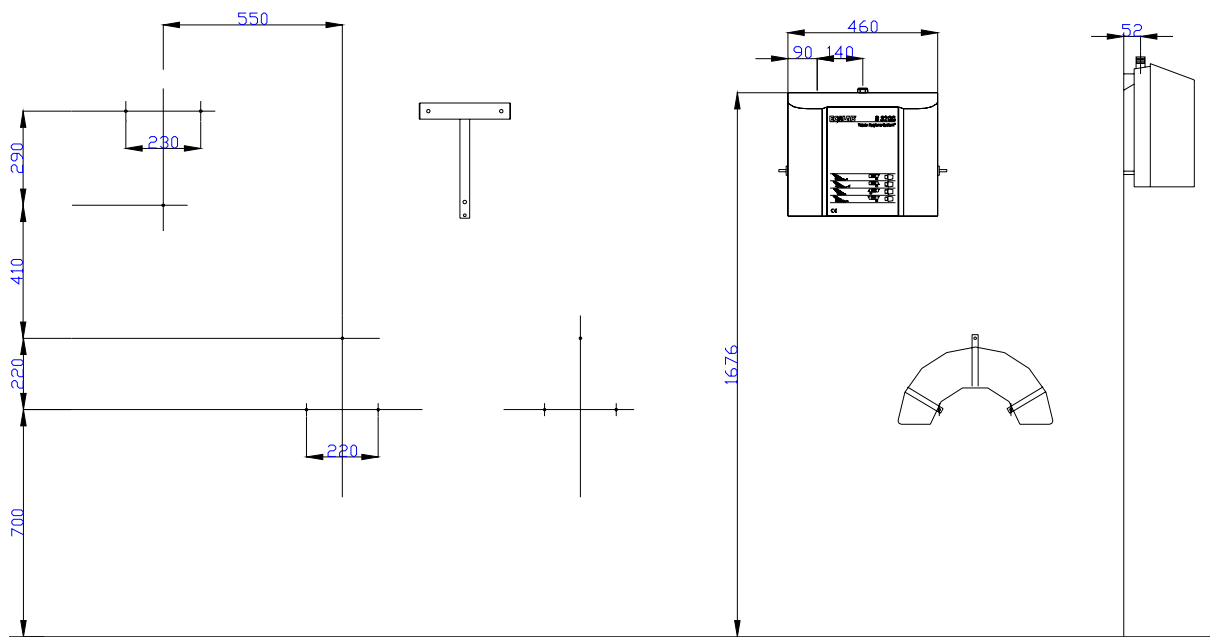
4.0 Directions for Mounting

ATTENTION!

- a) The satellite station should be mounted in frost-free rooms only.
- b) The satellite station may be mounted on a wall or fitted to a separate frame (article No. 370300), which can be installed in production areas and anchored to the floor.

For mounting on walls, please note the following:

- 1. The wall for mounting should either be a stable brick wall or a wall made of concrete.
 - 2. The delivered bracket should be secured to the wall by the enclosed screws and corresponding dowels.
- c) Mounting holes for the wall bracket and the hose holder (article No. 652400) should be drilled according to dimensional sketch on page 7.
 - d) The wall bracket should be mounted on the wall as above described and the station is hung on to the bracket.



17080

Fig. 4.0.1

4.1 Water Connection

ATTENTION!

- a) **Before the station is connected to the water supply pipe, the supply line should be rinsed through carefully in order to remove coarse impurities and metal shavings.**
- b) The connection for water should be made at the top of the satellite station (A on the layout drawings pages 12-14).
- c) Minimum internal diameter of the supply pipe must be 3/4" (19 mm).
- d) The satellite station is fitted with a closing valve on the inlet (A on the layout drawings pages 12-14).
- e) The pressure loss in the supply line should be held as low as possible by
 - avoiding long supply pipes
 - mounting low pressure resistance ball valves and
 - avoiding fittings with high pressure loss

NOTE!

- f) When installing the pipelines, take care to avoid air traps.
- g) All pipe connections to the satellite station must be screwed connections ensuring simple servicing and dismantling of the station.
- h)

Maximum allowed temperature of supply water:	70°C
Maximum allowed pressure of supply water:	25 bar
Minimum allowed pressure of supply water:	12 bar
Minimum water supply:	40 l/min.

4.2 Air Connection

ATTENTION!

- a) **Before the satellite station is connected to the air supply, the pipe system must be carefully rinsed in order to remove coarse impurities.**
- b) The satellite station requires an air supply with:
 - an inlet pressure of minimum 6 bar
 - a minimum capacity of 200 l/min.
- c) The air supply pipe is connected directly with a union for easy dismantling. A 1/4" inlet valve is fitted in all stations (K on layout drawings pages 12-14).

4.3 Supply of Dilute P3 Topax Products

ATTENTION!

- a) **Before the station is connected to the supply line of dilute products, the supply line should be rinsed through carefully in order to remove coarse impurities and metal shavings.**

ATTENTION!

- b) **Connection must be carried out via a closing valve and a union enabling the operator to turn off the station when it is being repaired.**
- c) The connection for dilute products should be made at the top of the station (Dilute detergent = C, dilute sanitiser = L on layout drawings pages 12-14).
- d) Minimum internal diameter of the supply line must be 1/2".
- e) The pressure loss in the supply line should be held as low as possible by
 - avoiding long supply pipes
 - mounting low pressure resistance ball valves and
 - avoiding fittings with high pressure loss

- f) Maximum allowed temperature:

70° C

Maximum allowed pressure:
Minimum allowed pressure:

6 bar
4 bar

NOTE!

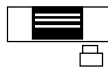
- g) When installing the piping, take care to avoid air traps.

4.4 Hose Connection

- a) The special hose fitted with spray gun or outlet valve is connected to the outlet quick coupling of the station (G on layout drawings pages 12-14).
- b) Maximum hose length: 30 m.
- c) It is recommended to use the special P3 Topax hoses only, which are tested for resistance to all P3 Topax products and industrial conditions.

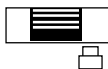
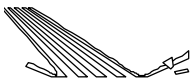
5. Operation Instructions

5.0 Symbols



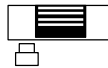
FOAM (WHITE)

Indicates use of outlet and colour of nozzle.



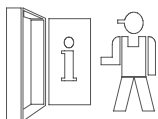
RINSE (BLUE)

Indicates use of outlet and colour of nozzle.



SPRAY SANITISING (YELLOW)

Indicates use of outlet and colour of nozzle. (This outlet is only found on models with double injector system).



INFORMATION

Information is placed on the inside of the cabinet door. This manual should always be kept there.

5.1 Layout Drawings

S 3200 foam cleaning

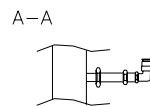
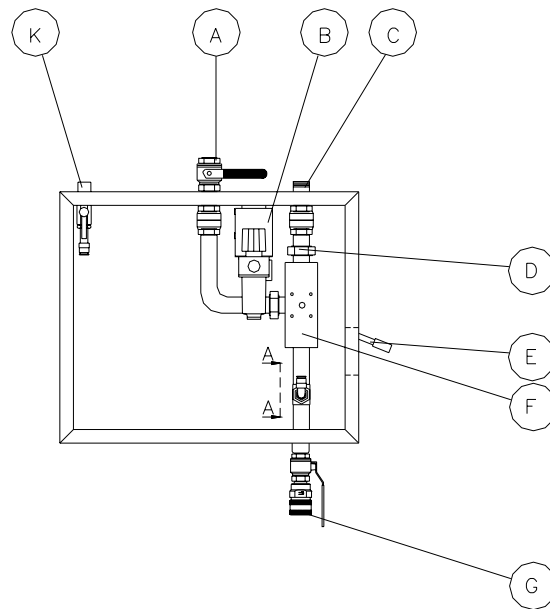


Fig. 5.1.1

17070

- | | |
|---|--------------------------------------|
| A. Closing valve for water | E. 5/2 switch |
| B. Filter, pressure regulator and gauge for air | F. Three-way valve with actuator |
| C. Inlet for dilute detergent | G. Quick coupling with closing valve |
| D. Mixing chamber | K. Closing valve for air |

S 3200D
foam cleaning and spray sanitising

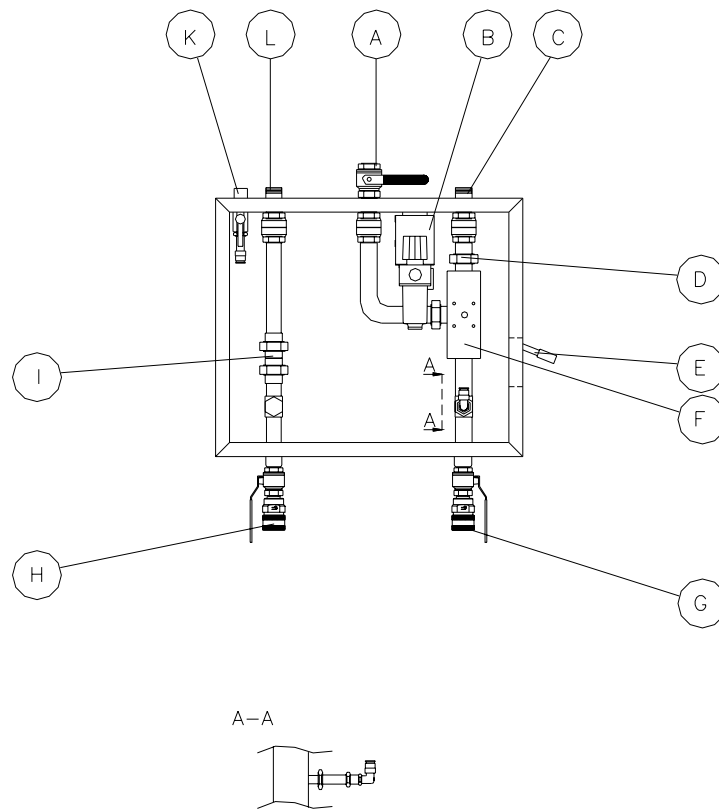


Fig. 5.1.2

17070

- | | |
|--|--|
| <ul style="list-style-type: none"> A. Closing valve for water B. Filter, pressure regulator and gauge for air C. Inlet for dilute detergent D. Mixing chamber E. 5/2 switch | <ul style="list-style-type: none"> F. Three-way valve with actuator G. Quick coupling with closing valve H. Quick coupling with closing valve I. Mixing chamber K. Closing valve for air L. Inlet for dilute sanitiser |
|--|--|

S 3200DF
foam cleaning and foam sanitising

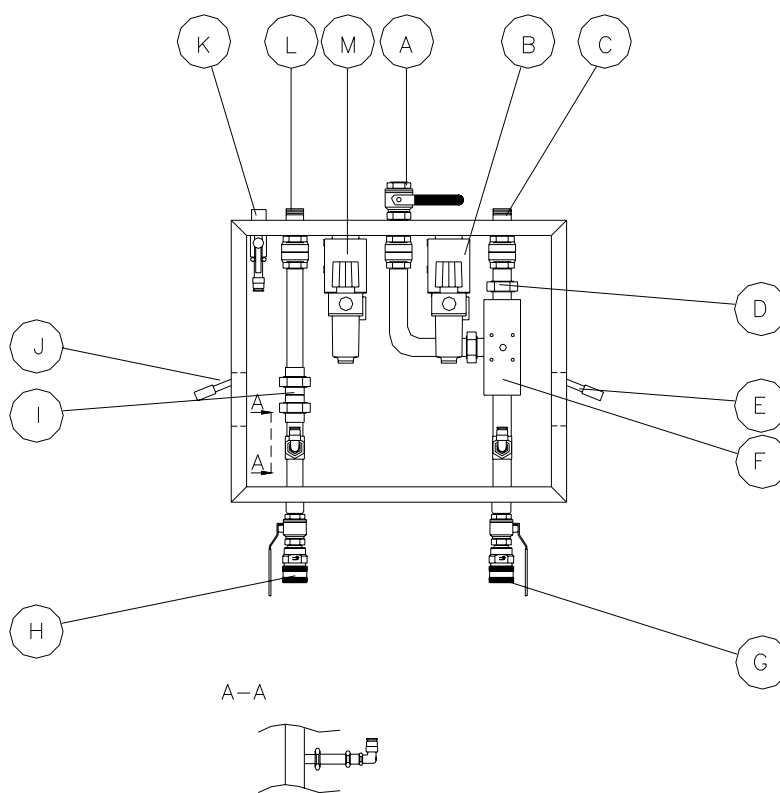


Fig. 5.1.3

17070

- | | | | |
|----|--|----|-----------------------------------|
| A. | Closing valve for water | G. | Quick coupling with closing valve |
| B. | Filter, pressure regulator and gauge for air | H. | Quick coupling with closing valve |
| C. | Inlet for dilute detergent | I. | Mixing chamber |
| D. | Mixing chamber | J. | 3/2 switch |
| E. | 5/2 switch | K. | Closing valve for air |
| F. | Three-way valve with actuator | L. | Inlet for dilute sanitiser |

5.2 Start up Procedures

When all supply connections have been made as described in chapter 4, the station is ready to put into service.

CAUTION!

- a) **Ensure that the spray gun or outlet valve is closed.**
- b) Connect the hose to the quick coupling (G on layout drawings pages 12-14), open the outlet valve of the station.
- c) Open the supply water valve (A on layout drawings pages 12-14) and fill the hose with water. The station is now ready for operation.
- d) Set the switch (E on layout drawings pages 12-14) in "Water" position.
- e) The air pressure is set at 6 bar on the air pressure regulator (B on layout drawings pages 12-14) and is checked on the pressure gauge.

NOTE!

When setting the regulator, carefully pull the knob and turn it right for pressure increase and left for pressure decrease.

- f) **Setting before rinsing:**
Connect the required rinse nozzle to the quick coupling of the spray gun/outlet valve and open the spray gun/outlet valve. After approx. 5 seconds, the pump of the booster station automatically starts by means of the built-in flow switch and builds up water pressure.
- g) **Setting before foaming:**
Connect the required foam nozzle to the quick coupling of the spray gun/outlet valve. Set the switch (E on layout drawings pages 12-14) in "Foam" position. When changing from detergent to sanitiser or vice versa, close the outlet valve of the station (E on layout drawings pages 12-14) and open the spray gun/outlet valve to diminish hose pressure. Move the hose to the correct hose outlet and open the spray gun/outlet valve. After approx. 5 seconds, the station will start.
- h) **Setting before spray sanitising:**

CAUTION!

Connect the yellow spray nozzle to the quick coupling of the spray gun/outlet valve. Close the outlet valve of the S 3200 and open the spray gun/outlet valve to diminish hose pressure. Move the hose from the right to the left hose outlet.

5.3 Directions during Operation

- a) As soon as the spray gun/outlet valve is opened and the booster unit is started, a working pressure is created.
- b) For rinsing, connect the required nozzle, open spray gun/outlet valve and after approx. 5 seconds the rinsing pressure is set.
- c) For foaming, connect the required nozzle. Change mode of operation by means of the switch. Open the spray gun/outlet valve and after a few seconds, foam is produced.
- d) When changing from foaming to rinsing, connect the rinse nozzle and change mode of operation by means of the switch.

NOTE!

It is recommended to use original P3 Topax nozzles only.

5.4 Stop Procedures

- a) Close the outlet valve of the satellite (G or H on layout drawings pages 12-14) and the station is out of operation. Open the spray gun/outlet valve to diminish the pressure.
- b) If the P3 Topax Hygiene System is not to be used for some time, it is recommended to:
 - close the supply water valve on top of the station (A on layout drawings pages 12-14).
 - close the supply of dilute chemicals to the station (C and L on layout drawings pages 12-14). The station is out of operation. Open the spray gun/outlet valve to diminish the pressure.

CAUTION!

- c) The spray gun trigger must be blocked with the safety catch provided to secure against accidental use.

5.5 System Safety

- a) Closing valve for water supply (A on layout drawings pages 12-14).

With this valve the satellite can be isolated. Further, a non-return valve is built in.
- b) Closing valve for air supply (K on layout drawings pages 12-14).

With this valve the supply of air can be isolated. Two non-return valves for air are built in.
- c) Spray gun

The spray gun handle is provided with a safety catch which can be set at its locking position. This prevents accidental use when not in operation.

The spray gun is provided with a damper to avoid severe water shocks at closure.
- d) A pressure gauge for air is installed inside the cabinet of the S 3200 together with the air pressure regulator.

NOTE!

The air pressure regulation/gauge only works when the supply valve (K on layout drawings pages 12-14) is open.

NOTE!

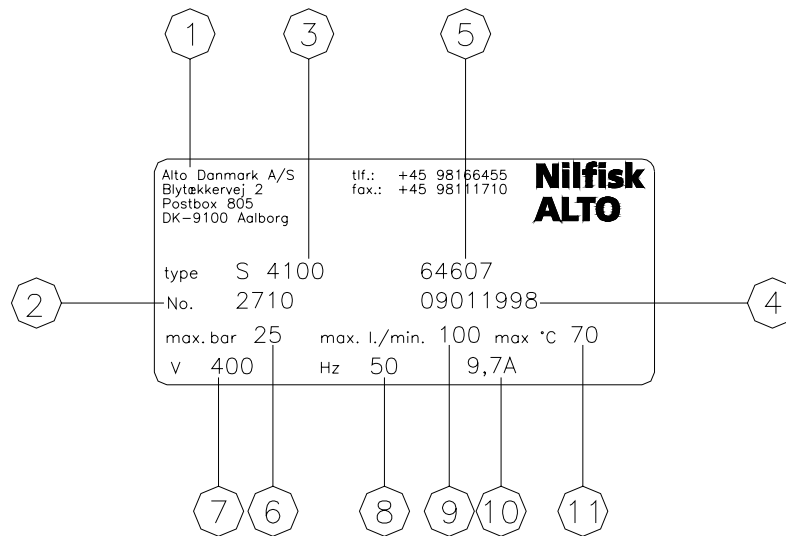
It is recommended to install closing valves at the inlet of dilute detergent/ sanitiser. Having closed all valves, the station can be depressurized.

6. Technical Specifications

6.0 Technical Data

Model	S 3200
Pressure rate	PN 25
Max. operational water pressure	25 bar
Min. operational water pressure	12 bar
Water flow	10-100 l/min.
Max. temperature of water supply	70°C
Max. operational pressure for dilute detergent/sanitiser	6 bar
Min. operational pressure for dilute detergent/sanitiser	4 bar
Min. flow of dilute detergent/sanitiser	12 l/min.
Rinsing nozzle	25/40 or 25/30
Foam nozzle	50/200
Spray nozzle	40/30
Max.hose length	30 m
Weight	13 kg
Dimensions W x H x D	460 x 380 x 217 mm
Max. pressure of air supply	10 bar

6.1 Identification Plate



17194

Fig. 6.1.1

1. *Producer*
2. *Serial number*
3. *Type*
4. *Date*
5. *Order number*
6. *Maximum pressure*
7. *Voltage*
8. *Frequency*
9. *Water volume*
10. *Consumption of ampere*
11. *Maximum temperature*

7. Maintenance

7.0 Instructions

- a) If the quick couplings leak, o-rings should be replaced.
- b) Depending on usage, maintenance should be undertaken by an authorised service engineer at least once a year in order to prevent defects and failure of operation. Authorised engineers are persons who due to their skills and experience have sufficient knowledge of P3 Topax Hygiene Systems and are confident with the state work safety regulations, accident preventing regulations, lines and generally acknowledged technical regulations such as DIN-norms and VDE-provisions. For your safety, this cleaning unit has been manufactured according to all relevant regulations valid in the EU and therefore it has been supplied with the CE-marking. For further information, please refer to the service department of Ecolab.

7.1 Trouble Shooting and Remedy

Measures at trouble shooting

Symptoms

No pressure
Insufficient foam creation
No foam creation
No spray sanitising

Possible causes

Insufficient water supply
Rinsing nozzle not installed
Defect in booster unit
No water supply
No supply of dilute products
Product not suitable
Insufficient air supply
Air pressure in mixing chamber too high
Incorrect nozzle
No air supply
Non-return valve blocked
Nozzle of mixing chamber blocked

				●
				●
				●
	●	●	●	
		●	●	
			●	
		●		
	●	●		
	●	●		

Remedy

Open water supply valve
Place rinsing nozzle
Consult directions for use of booster unit
Ensure water supply
Consult directions for use of dosing unit
Choose suitable product
Provide sufficient air supply
Adjust air pressure setting

Place foam nozzle 50/200
Ensure air supply
Clean or replace non-return valve
Clean nozzle

Fig. 7.1.1

Fault	Cause	Remedy
No pressure with rinse nozzle	No water supply Rinsing nozzle not installed Defect in booster unit	Open water supply valve Place rinsing nozzle Consult directions for use of booster unit
Spreading of foam is unsatisfactory	Type of product not suitable Insufficient air supply to the station Incorrect air pressure to station Too high air pressure in mixing chamber (check air pressure on air pressure gauge) Incorrect nozzle installed Nozzle of mixing chamber blocked	Change to correct type of product Provide sufficient air supply, 200 l/min. 6 bar Adjust air pressure to 6 bar on pressure regulator Reduce air pressure to 6 bar on pressure regulator Place foam nozzle 50/200 Clean nozzle of mixing chamber
No spreading of foam	No supply of dilute detergent Foam nozzle not installed	Consult directions for use of dosing unit Place foam nozzle

Fault	Cause	Remedy
No spreading of foam	Non-return valve for dilute product blocked Concentration of dilute product is too low	Clean or replace valve Increase the setting of dosing valve
Insufficient spray sanitising	No supply of dilute sanitiser Non-return valve for product blocked Nozzle of mixing chamber blocked	Consult directions for use of dosing unit Clean or replace valve Clean nozzle of mixing chamber
The station does not build up air pressure	Inlet valve for compressed air is not open	Open inlet valve for compressed air

8. Components

8.0 Exploded Drawings of S 3200 with Spare Parts List

S 3200 foam cleaning

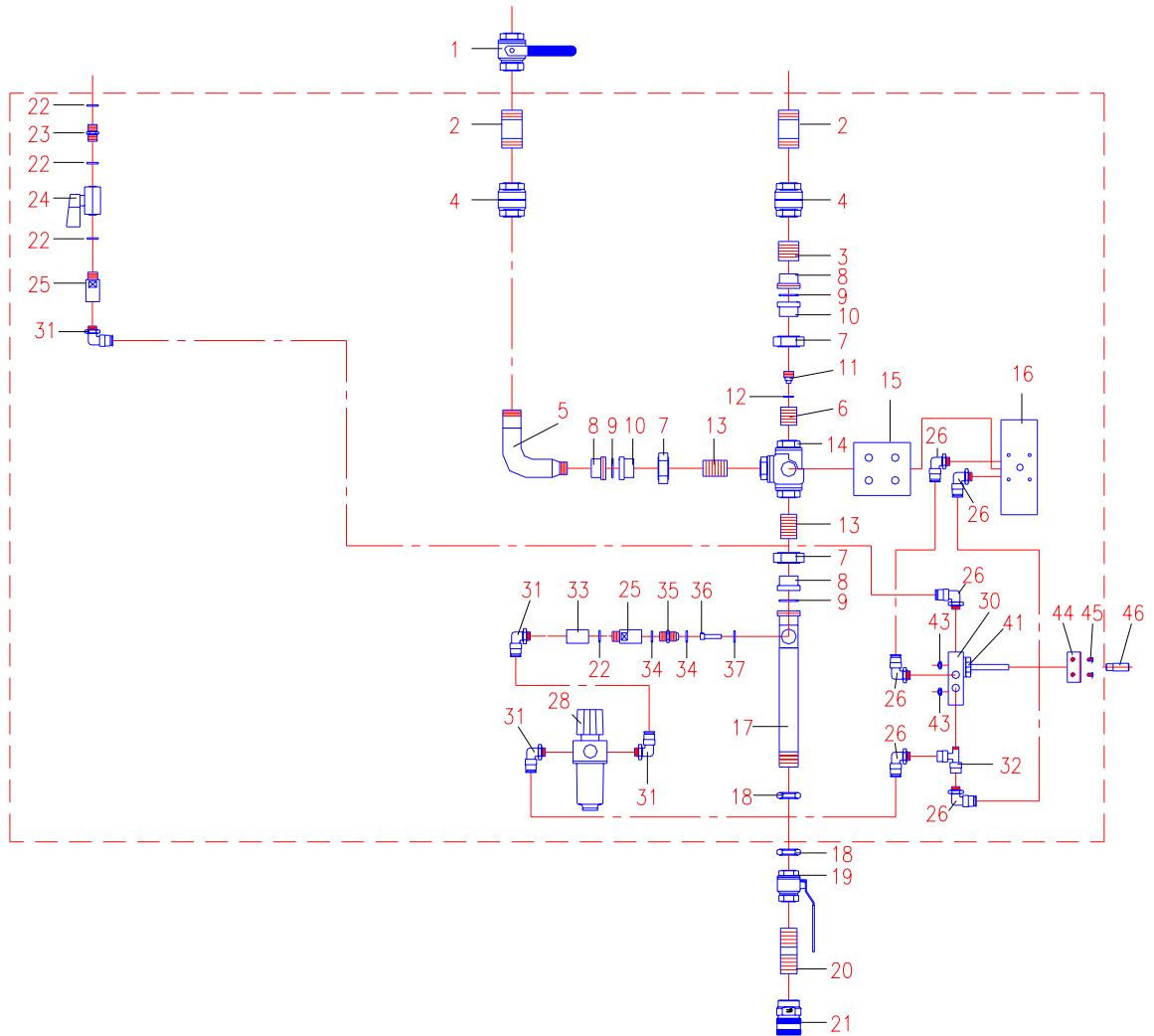
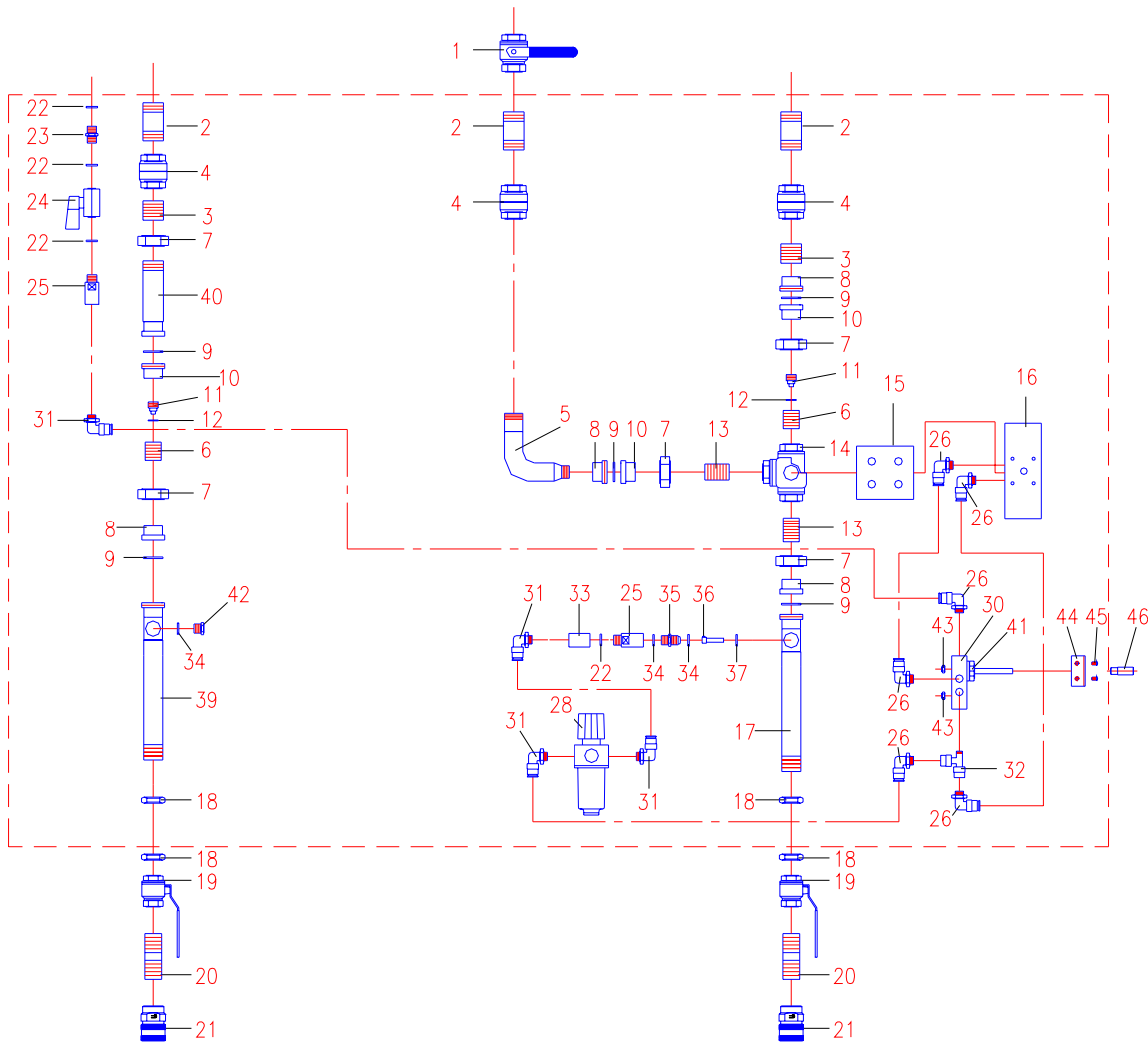


Fig. 8.0.1

17070

S 3200D
foam cleaning and spray sanitising



17070

Fig. 8.0.2

S 3200DF foam cleaning and foam sanitising

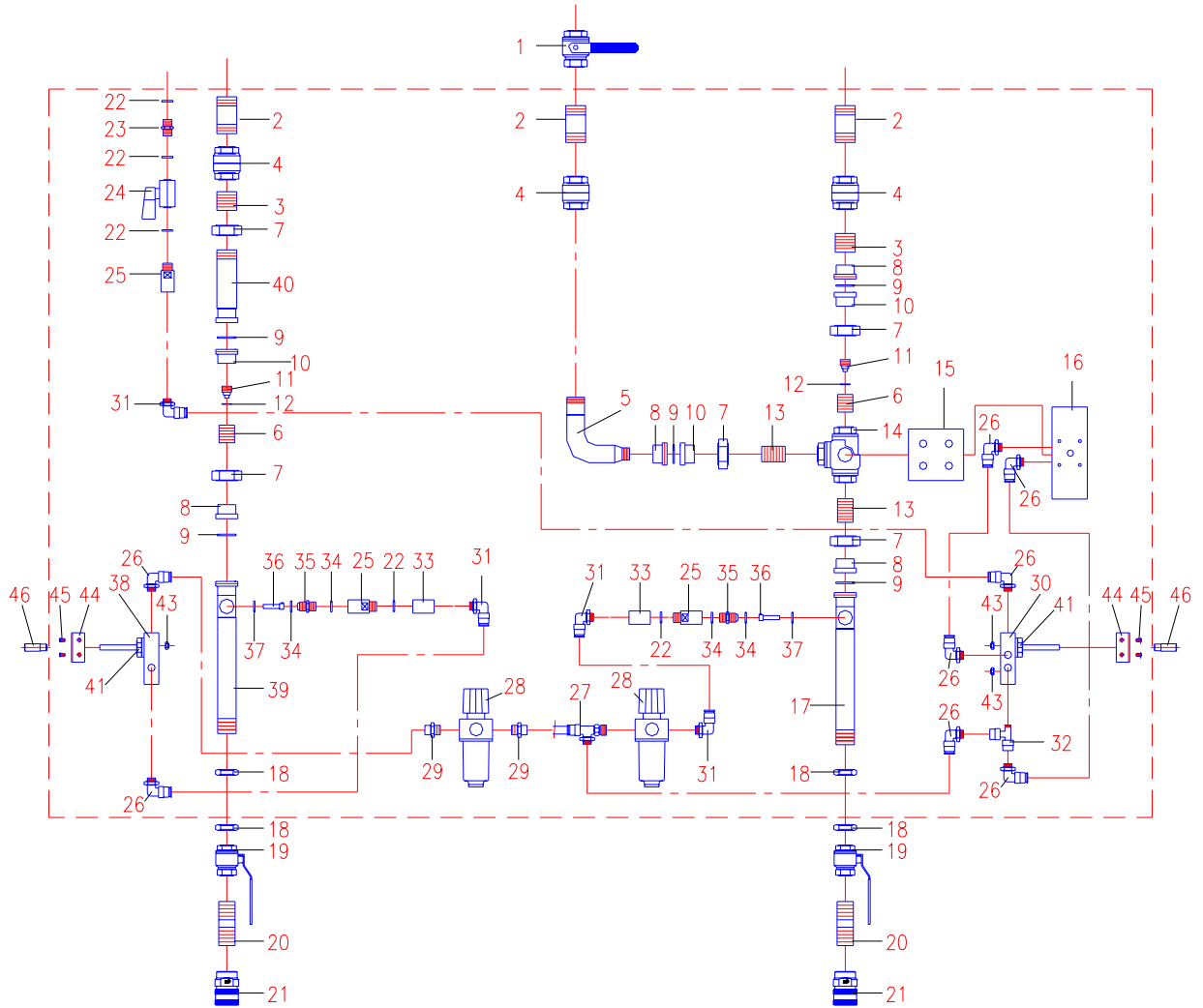


Fig. 8.0.3

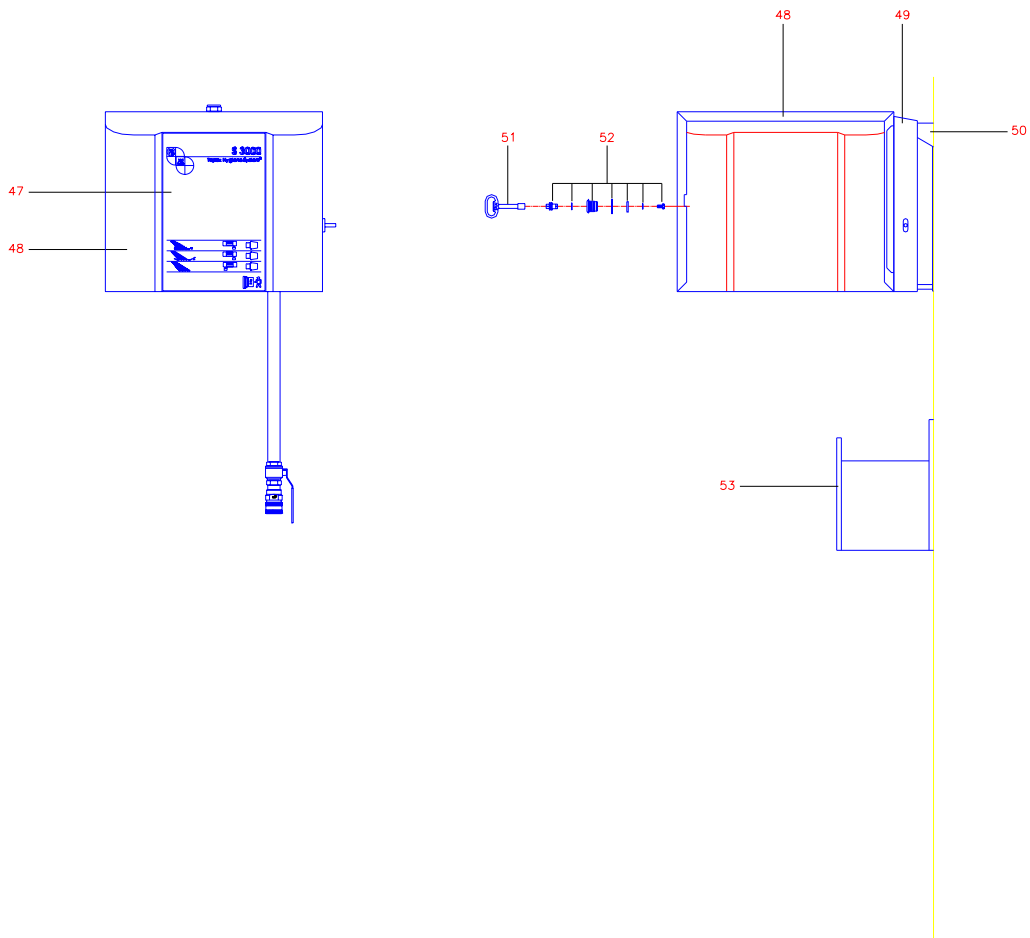
17070

Pos. No.	Article No.	Description	No.	No.*
1	600300	Ball valve 3/4"	1	1
2	641007	Nipple pipe L = 50 x 3/4"	1	1
3	357700	Reducing nipple 3/4" x 1/2"	1	2
4	600400	Non-return valve 3/4"	2	3
5	357200	Special elbow 90°	1	1
6	357500	Nozzle housing	1	2
7	352720	Union for threaded union	3	5
8	357300	Union part, male	3	4
9	356900	O-ring for union	3	5
10	357100	Union part, female	2	3
11	357400	Nozzle for detergent/sanitiser	1	2
12	350109	O-ring	1	2
13	641002	Nipple pipe 1/2" SMSK	2	2
14	67860000	Three-way valve	1	1
15	67880000	Fitting for three-way valve	1	1
16	67870000	Actuator	1	1
17	357600	Threaded union 1/2"	1	1
18	350705	Counter nut 1/2"	2	4
19	632800	Ball valve 1/2"	1	2
20	641002	Nipple pipe 1/2" SMSK	1	2
21	641900	Quick coupling 1/2"	1	2
22	638100	Gasket 1/4"	4	4 (5)
23	633500	Hexagon nipple 1/4"	1	1

* S 3200D and S 3200DF

Pos. No.	Article No.	Description	No.	No.*
24	634000	Closing valve for air 1/4"	1	1
25	640000	Non-return valve for air 1/4"	2	2 (3)
26	359200	Air fitting, angle 1/8" x 6 mm	6	6 (8)
27	359400	Air tee, 6mm x 6mm x 1/4"	0	0 (1)
28	635650	Filter, regulator, gauge for air	1	1 (2)
29	359100	Air fitting 1/4" x 6 mm	0	0 (2)
30	677910	5/2-way valve, manual	1	1
31	359000	Air angle 1/4" x 6 mm	4	4
32	359600	T-piece 1/8" external thread	1	1
33	642200	Socket 1/4"	1	1 (2)
34	352800	O-ring	2	3 (4)
35	380500	Spec. nipple 1/4"	1	1 (2)
36	352900	Air nozzle	1	1 (2)
37	353500	O-ring for air nozzle	1	1 (2)
38	677905	3/2-way valve, manual	0	0 (1)
39	357600	Threaded union 1/2"	0	1
40	355800	Union	0	1
41	580094	Lock-nut for manual valve	1	1 (2)
42	350002	Plug 1 1/4"	0	1 (0)
43	69930001	Silencer 1/8"	2	2 (3)
44	361603	Fittings for flap valve	1	1 (2)
45	156215	M4 x 6 mm umbracho	2	2 (4)
46	677600	Handle for manual valve	1	1 (2)

* S 3200D and S 3200DF



17075

Fig. 8.0.4

Pos. No.	Article No.	Description	No.	No.*
47	412000	Label for S 3200	1	1
48	361701	Cabinet door for S 3200	1	1
49	360202	Frame for S 3200	1	1
50	360300	Wall bracket for S 3200 cabinet	1	1
51	652000	Key for lock	1	1
52	65185000	Lock for cabinet	1	1
53	652400	Hose holder	1	1

* S 3200D and S 3200DF

9. Warranty

ATTENTION!

Our guarantee is given for a period of 12 months from delivery on all parts which have provable become unfit for use due to material, construction or manufacturing defects as well as inadequate work. The guarantee compensation will occur in the shape of either reimbursement, replacement or repair of the defective or damaged part at our works. Installation and freight costs are always on the purchaser's account. Any defective parts are to be placed at our disposal. Claims that may otherwise be raised for any legal reason will not be acknowledged. No liability will be accepted for damage occurred indirectly. The purchaser has no right to let any third party repair possible defects on our account.

All hoses, rubber parts or synthetic materials, natural wear and tear as well as damage caused by careless and inappropriate handling, including transport damage are not covered by the guarantee. Further, the guarantee does not apply if the system has been subjected to frost. The obligation of guarantee compensation also ceases if changes or repairs are made by non-authorized persons. Claims under the guarantee will only be acknowledged when they are placed immediately after the defect has been noticed. The guarantee ceases in case of change of ownership.

The dealer cannot be held responsible for personal injury, damage to equipment, working deficits, including production loss, loss of profits, loss of stock or the like which may occur by imperfect and delayed delivery of the sold product, regardless of the reason, including manufacturing and material defects. Please see our standard terms of sale and delivery.

10. User Service

10.0 International Henkel-Ecolab Address List

European Operation

Headquarter

Germany

Henkel-Ecolab GmbH & Co. OHG
Postfach 13 04 06
40554 Düsseldorf

Phone: (49) 211 98 93 203 *Note! all phone numbers are general*
Fax: (49) 211 98 93 223 *Note! all fax numbers are P3-numbers*

Austria

Henkel-Ecolab GmbH
Erdbergstr. 35
1031 Wien 3

Phone: (43) 1 71 52 55 08 00
Fax: (43) 1 71 52 55 08 51

Finland

OY Henkel-Ecolab Ab
Mäkelänkatu 54 A
00510 Helsinki

Phone: (358) 0 39 65 51
Fax: (358) 0 39 65 53 05

Belgium

S.A. Henkel-Ecolab N.V.
Doornveld 1
1731 Zellik-Asse

Phone: (32) 24 67 51 11
Fax: (32) 24 67 51 00

France

Henkel Hygiene SNC
8, rue Rouget de Lisle
92130 Issy-les-Moulineaux Cedex

Phone: (33) 1 40 93 93 94
Fax: (33) 1 40 93 93 92

Czech Republic

Henkel-Ecolab spol. s r.o.
Jakubské náměstí 1
656 86 Brno

Phone: (42) 5 42 21 08 23
Fax: (42) 5 42 21 12 27

Germany

Henkel Hygiene GmbH
Postfach 13 04 06
40554 Düsseldorf

Phone: (49) 211 98 93 0
Fax: (49) 211 98 93 386

Denmark

Henkel-Ecolab A/S
Carl-Jacobsensvej 29-37
2500 Copenhagen-Valby

Phone: (45) 36 15 85 85

Fax: (45) 36 15 85 99

Greece

Henkel-Ecolab A.E.
5, Konitsis Street
15125 Maroussi, Athens

Phone: (30) 16 14 09 01 8

Fax: (30) 16 14 01 10

Great Britain

Henkel-Ecolab UK Ltd.
David Murray John Building,
Swindon, Wiltshire SN1 1 ND

Phone: (44) 17 93 51 12 21

Fax: (44) 17 93 42 14 80

Norway

Henkel-Ecolab a.s.
Stalverksveien 1
Etterstad
0605 Oslo 5

Phone: (47) 22 68 18 00

Fax: (47) 22 68 20 50

Hungary

Henkel Ecolab Kft.
David Ferenc. utca 6
1501 Budapest, pf 20

Phone: (36) 12 09 09 00

Fax: (36) 11 38 22 33

Poland

Henkel Ecolab sp.z o.o.
Ul. Lubicz 25a
31503 Krakow

Phone: (48) 12 21 09 81

Fax: (48) 12 21 03 45

Ireland

Henkel-Ecolab Ltd.
Beechwood Close
Boghall Rd, Bray, Co. Wicklow

Phone: (353) 12 86 82 25

Fax: (353) 12 86 92 98

Portugal

Henkel-Ecolab Lda.
Estrada do Qteiro de Polima-Monte Trigo
Lote C 2 - Aboboda
2775 Parede

Phone: (351) 14 45 05 98

Fax: (351) 14 45 10 71

Italy

Henkel-Ecolab SPA
Centro Direzionale Colleoni
Via Paracelso 6
Palazzo Liocorno
20041 Agrate Brianza Milano

Phone: (39) 39 60 50 1

Fax: (39) 39 60 50 573

Slovakia

Henkel-Ecolab Bratislava Spol. s.r.o.
Záhradnícka 91
821 08 Bratislava

Phone: (42) 7 20 46 391

Fax: (42) 7 20 46 388

Luxembourg

S.A. Henkel-Ecolab N.V.
Doornveld 1
1731 Zellik-Asse

Phone: (32) 24 67 51 11

Fax: (32) 24 67 51 00

Slovenia

Henkel-Ecolab d.o.o. Maribor
Vajngerlova Nr. 4
62106 Maribor

Phone: (386) 62 10 22 11

Fax: (386) 62 10 27 92

Netherlands

Henkel-Ecolab BV
Brugwal 5
3432 NZ Nieuwegein

Phone: (31) 30 60 82 222

Fax: (31) 30 60 82 224

Spain

Henkel-Ecolab SA
Edificio Conata
Fructuós Gelabert, 2-4 7^o
08790 San Joan Despí Barcelona

Phone: (34) 34 77 10 01

Fax: (34) 34 77 00 75

Sweden

Henkel-Ecolab AB
Fruängsplan 10
Box 6103
12907 Hägersten

Phone: (46) 897 03 20

Fax: (46) 888 22 51

Switzerland

Henkel-Ecolab AG
Kriegackerstrasse 91
4132 Muttenz

Phone: (41) 61 46 69 466

Fax: (41) 61 46 69 444

Turkey

Henkel Kurumsal
Temizleme Sistemleri AS.
Koresehitleri Caddesi
Yüzbasi Kaya Aldogan Sokak No. 9
80300 Zincirlikuyu Istanbul

Phone: (90) 21 22 75 07 68-69

Fax: (90) 21 22 75 09 99

EC Declaration of Conformity

Manufacturer:

Company Name: Alto Danmark A/S
Address: Blytækkervej 2
9100 Aalborg
Danmark
Tel.: 98166455

hereby declare that

Machine:

No.: S 3200
Name: P3-Topax Hygiene System
Type: S 3200

- is in conformity with:

the COUNCIL DIRECTIVE of 14 June 1989 on mutual approximation of the laws of the Member States on the safety of machines (89/392/EEC as amended by directives 91/368/EEC, 93/44/EEC and 93/68/EEC) with special reference to Annex 1 of the Directive on essential safety and health requirements in relation to the construction and manufacture of machines.

was manufactured in conformity with the following national standards that implements a harmonised standard:

EN 292-1
Basic terminology, methodology
EN 292-2
Technical principles and specification

Name: John Holm Espersen
Company: Alto Danmark A/S



Mar 9, 1998

Date

Signature