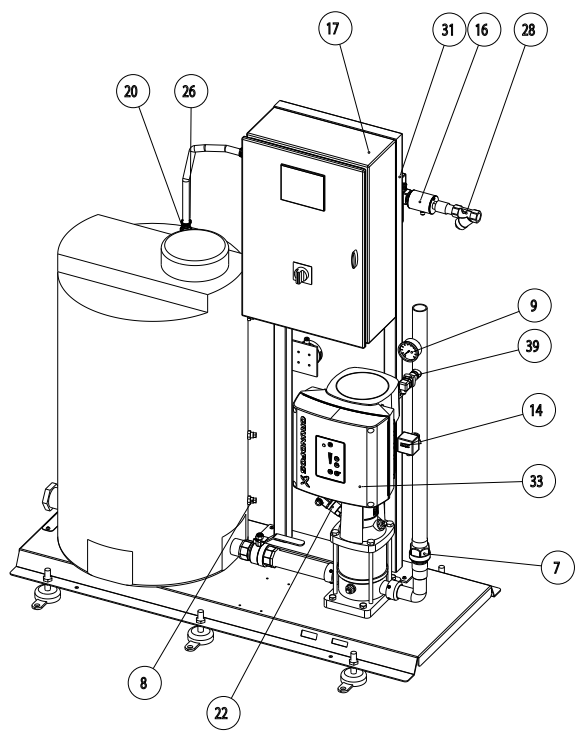
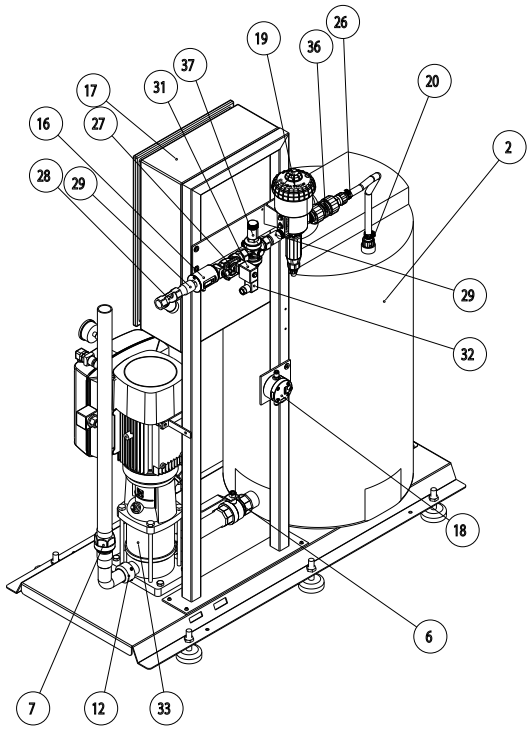




**Recommended spare parts**  
**Empfehlenswerte Ersatzteile**  
**Pièchange conseiès**  
**Piezas de requesto recomendadas**

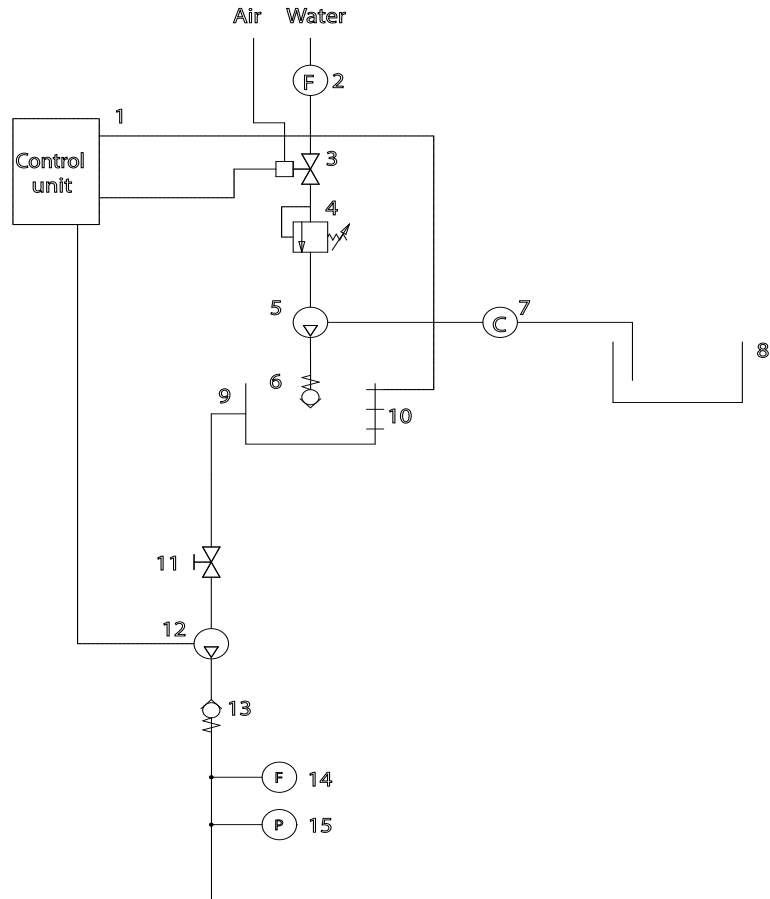
# Layout and Parts Inspexx SD mark. II



11900460-1

Pos./Ref.	Nr. No.	Description Beschreibung Désignation Designación	Amount
2	0636050	Tank	
5	110000804	Pressure sensitive switch	
6	359988	Ball valve 1 1/2"	
7	110002403	Non return valve 1 1/4"	
8	313600	Level switch	
9	0639092	Pressure gauge	
12	603700	O-ring for pump coupling	
14	110000973	Flow switch	
16	110004907	Flow sensor 0,2 - 50l/min.	
17	110004970	Controller	
18	10004968	Oval gear meter	
19	10006538	Dosing pump	
20	110004971	Hose nipple	
22	110005429	Pressure transmitter	
26	674800	Hose clamp	
27	531301	Solenoid valve	
28	0608081	Filter 3/4"	
29	921000	Sleeve 3/4"	
31	310304	Coil for solenoid valve 24V 50/60 Hz	
32	531500	Plug for coil	
33	110008789	Pump CRNE 5-6/4,0 kW, Inspexx set-up	
36	110006295	Non return valve 3/4" PVC with glass ball	
37	110005314	Pressure reduction valve 3/4"	
39	110006401	Pressure sensitive switch	

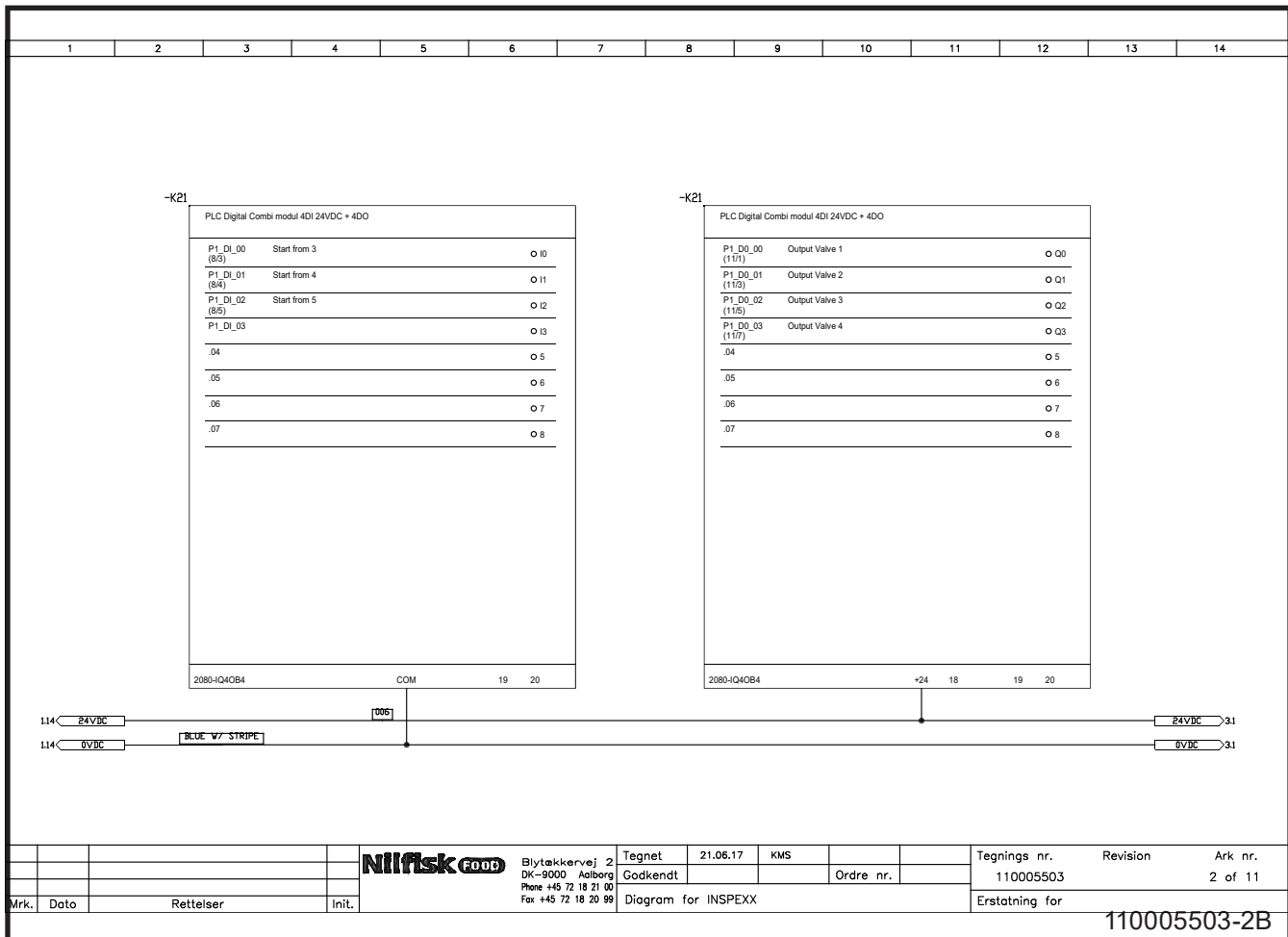
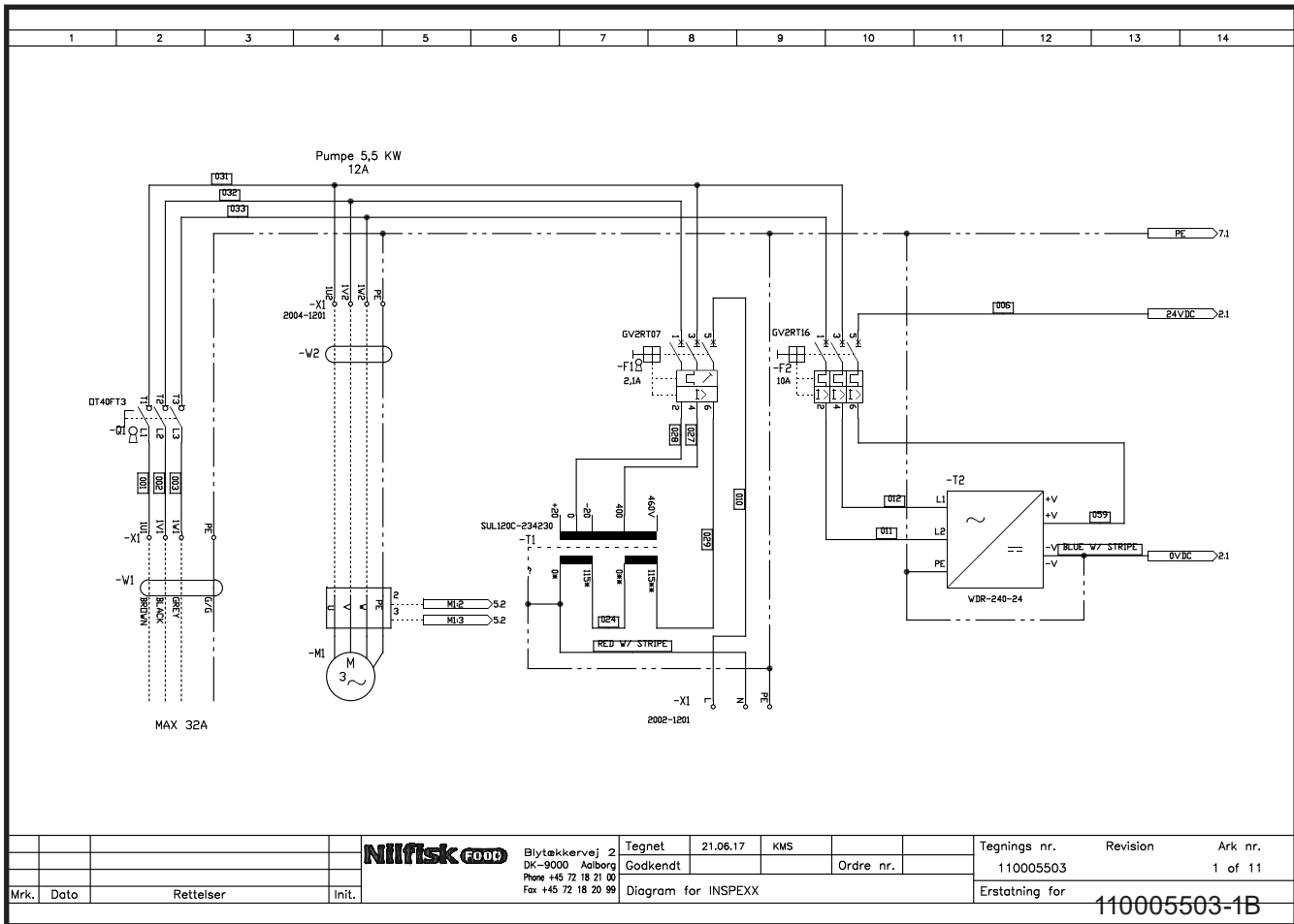
## Flow Diagram Inspexx SD mark. II

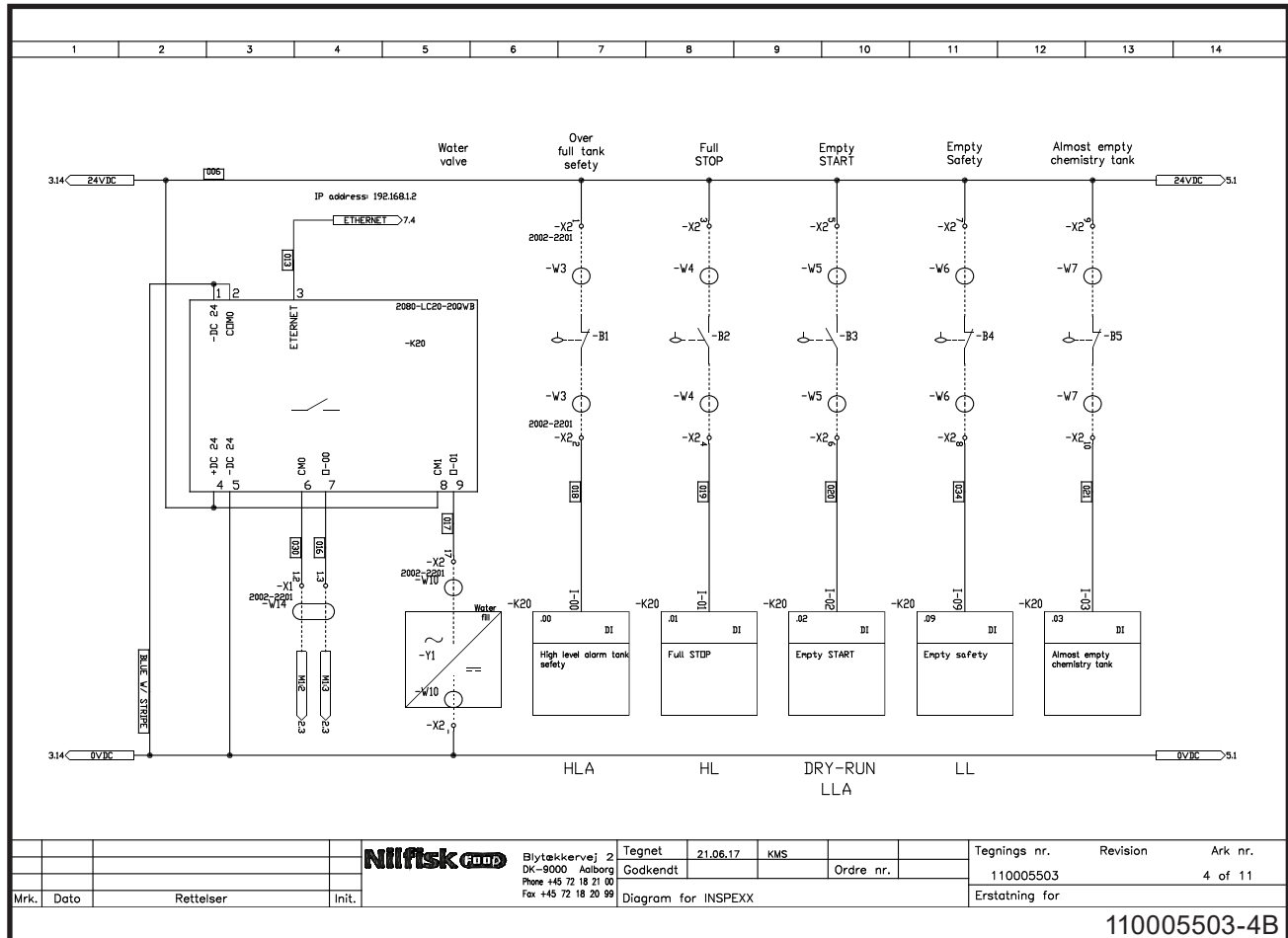
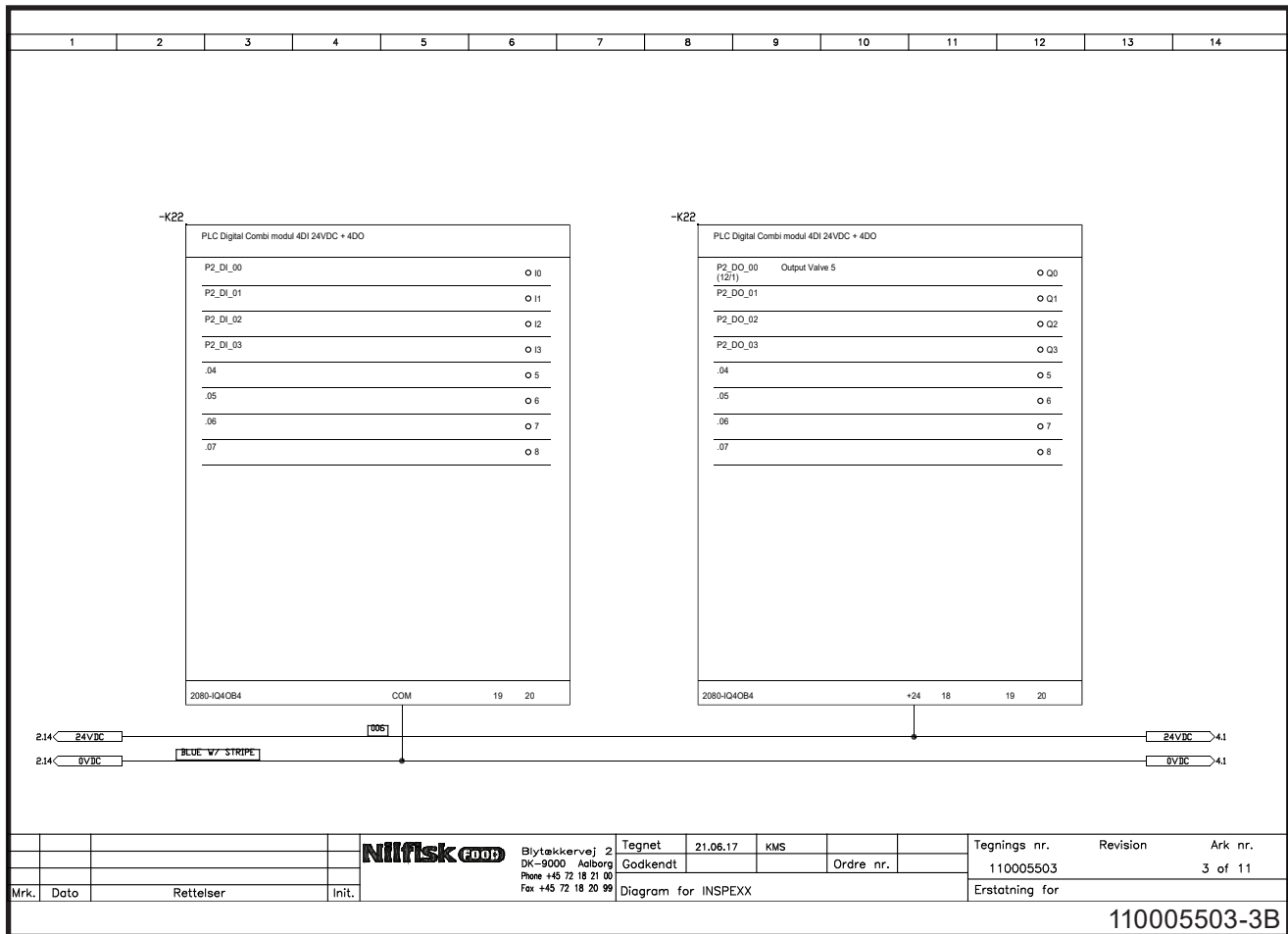


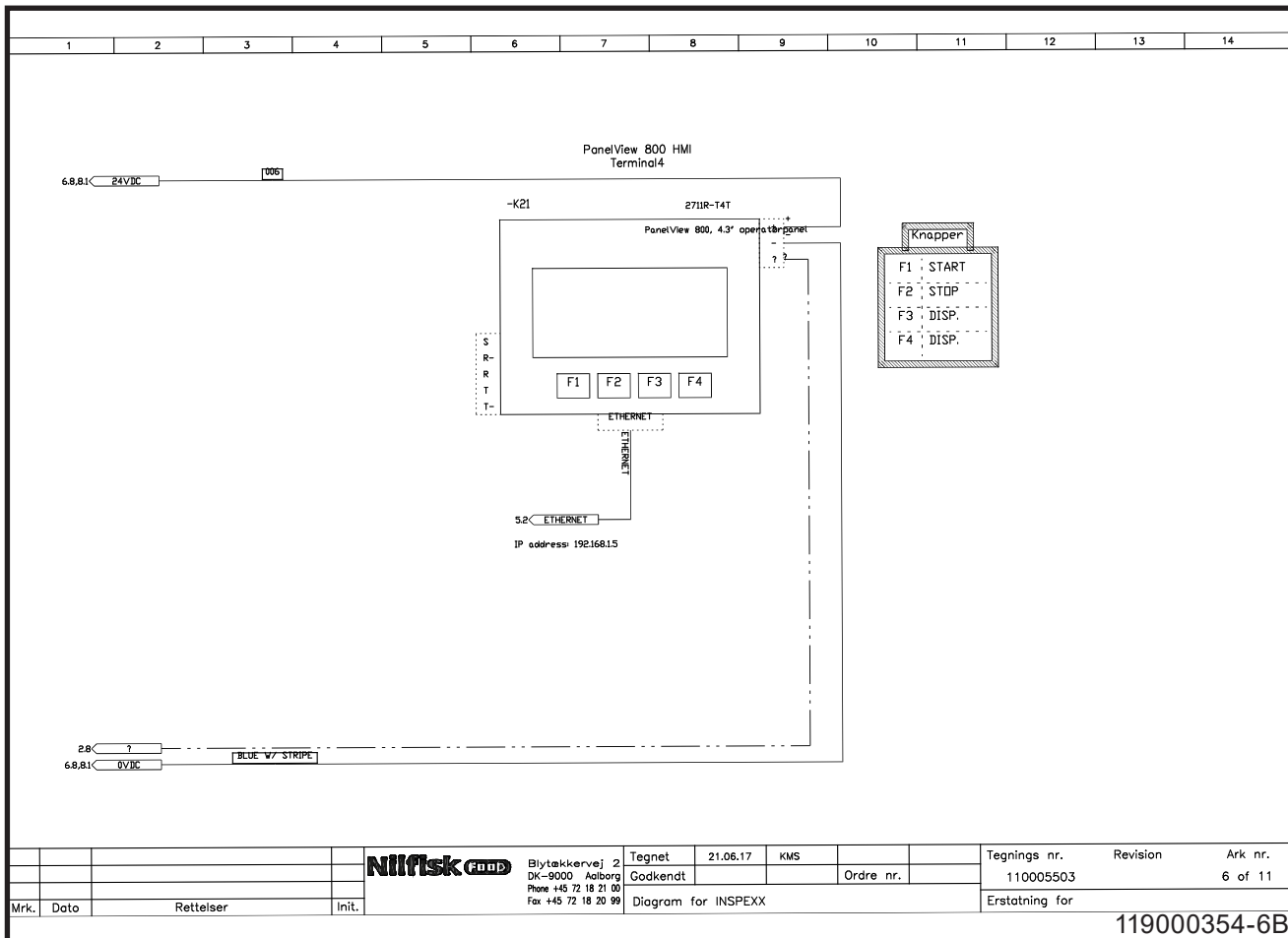
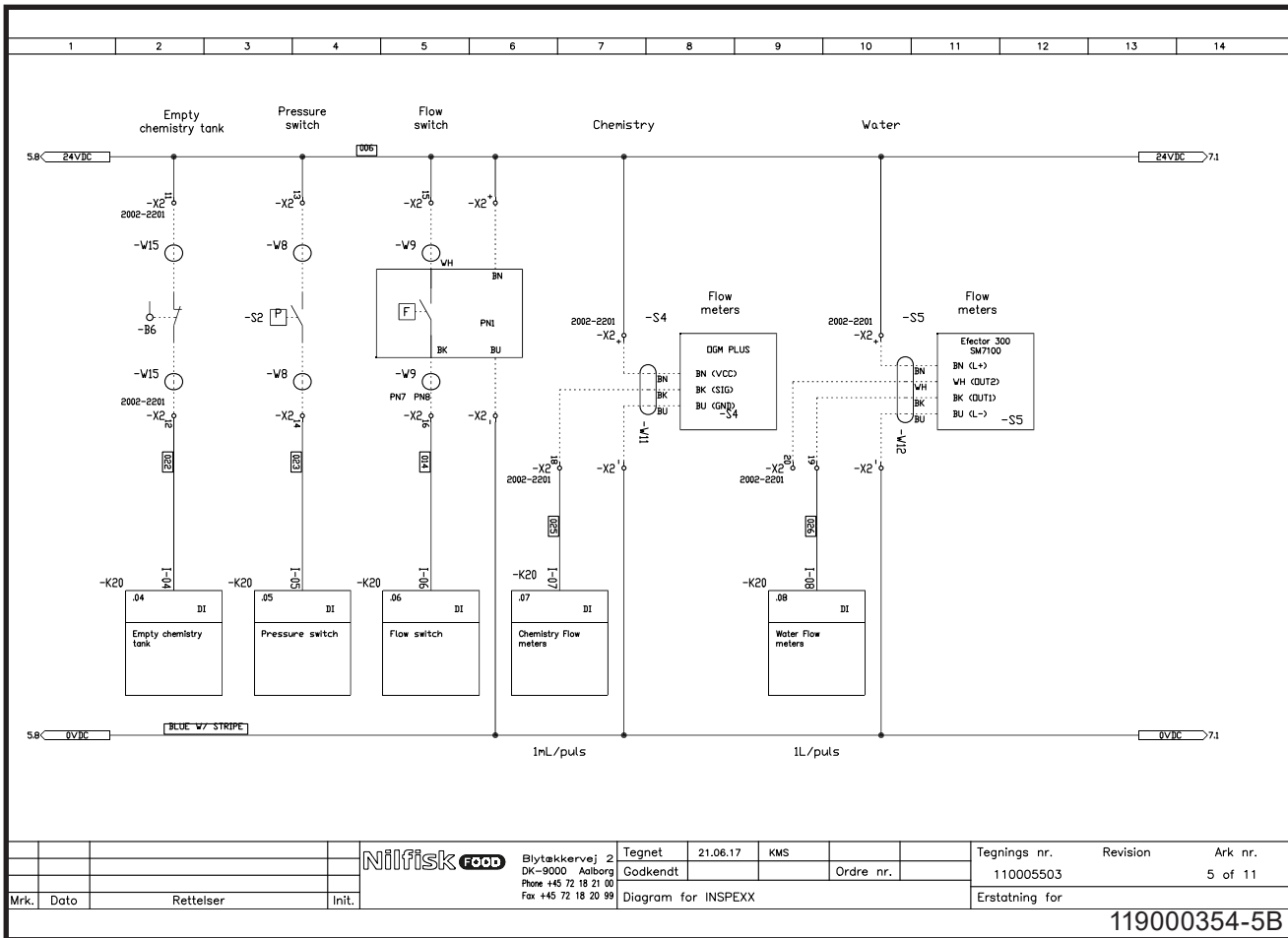
1. Controller
2. Flow sensor
3. Ball valve w. actuator and solenoid
4. Pressure reduction valve
5. Dosing pump
6. Non return valve, counter press. 0.5 bar
7. Oval gear meter
8. Tank for detergent
9. Tank for pre-diluted detergent
10. Level sensors
11. Ball valve
12. Pump
13. Non return valve
14. Flow switch
15. Pressure sensitive switch

110008500

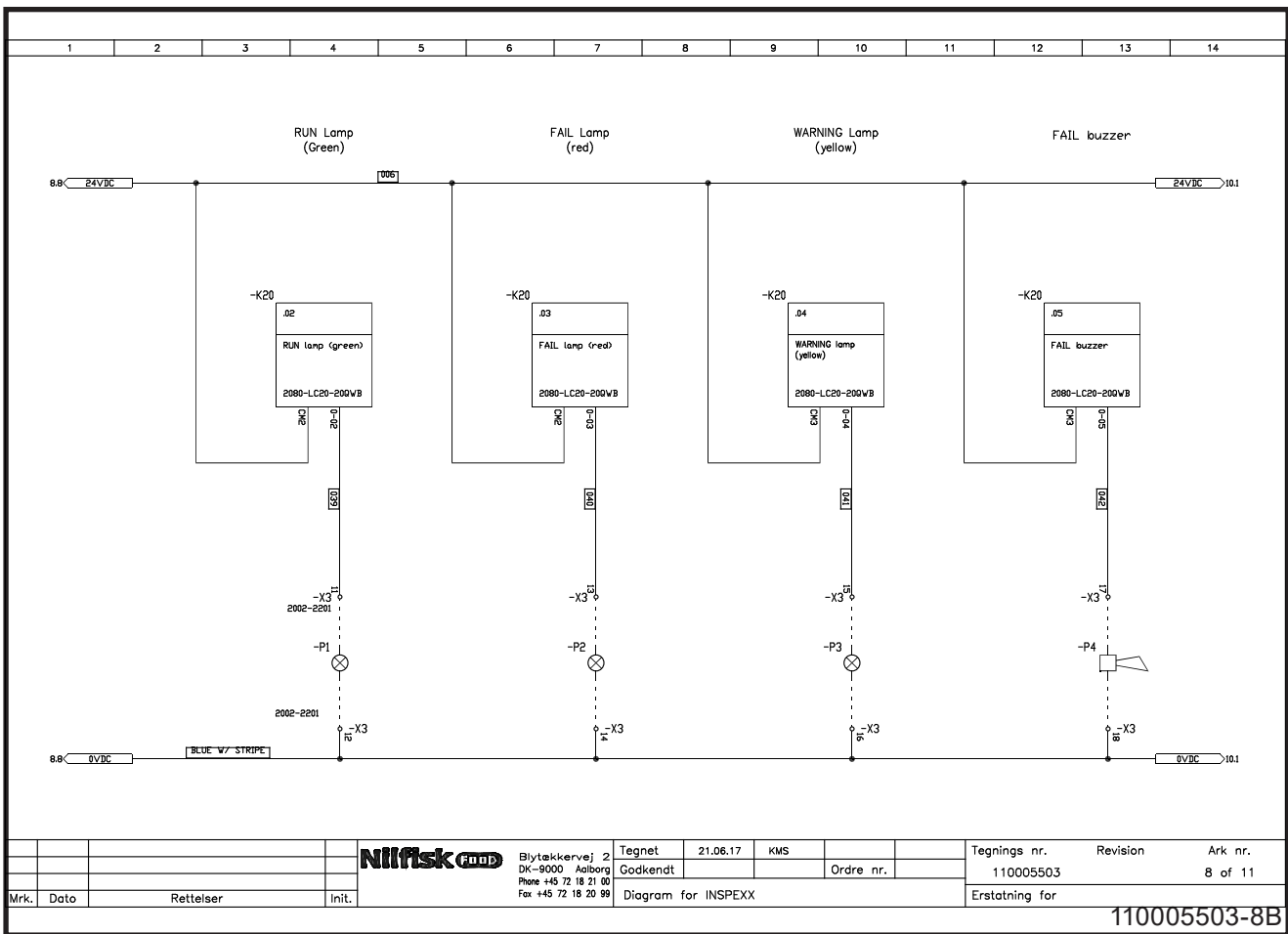
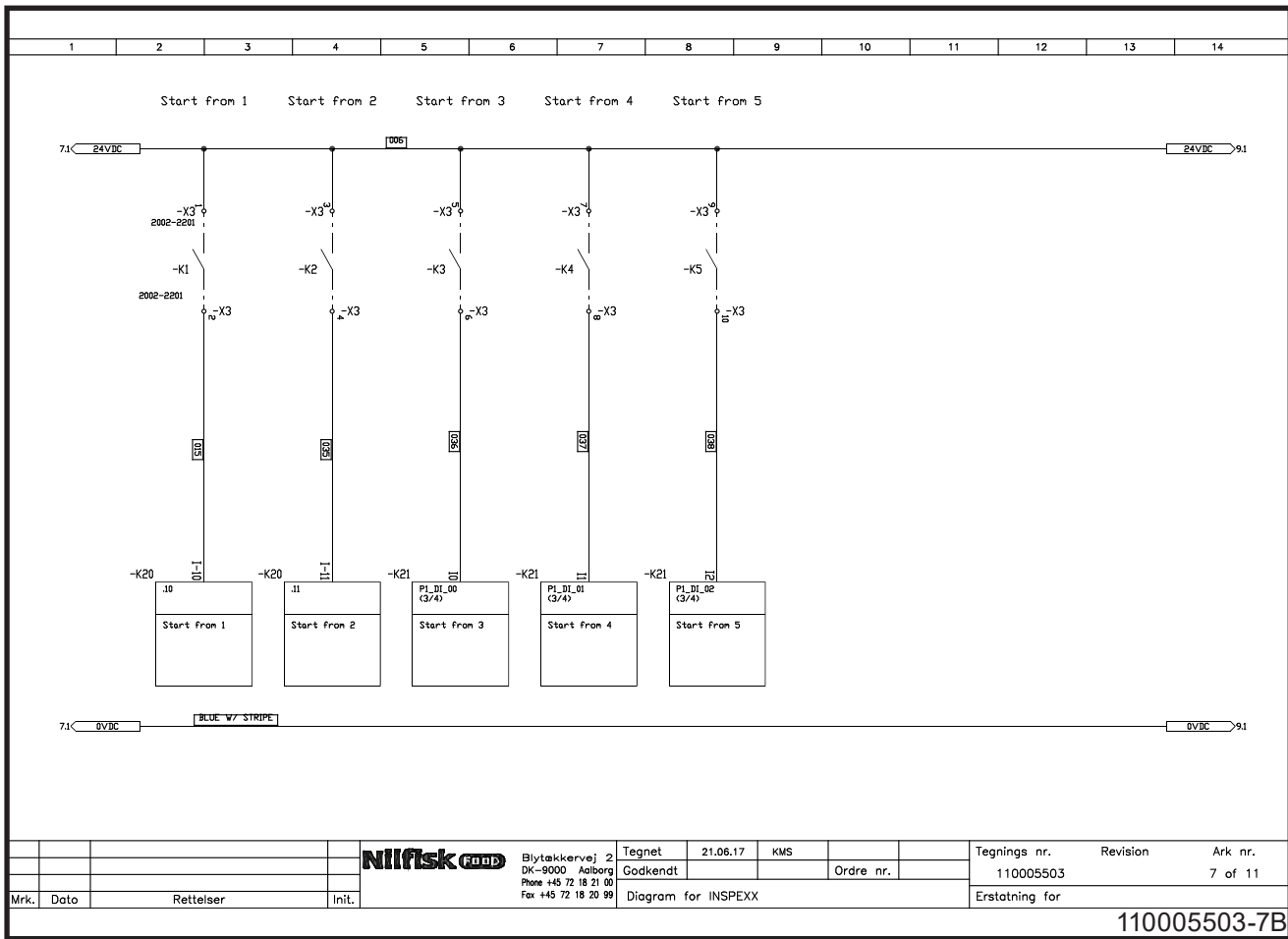
# EI Diagram Inspexx SD mark. II

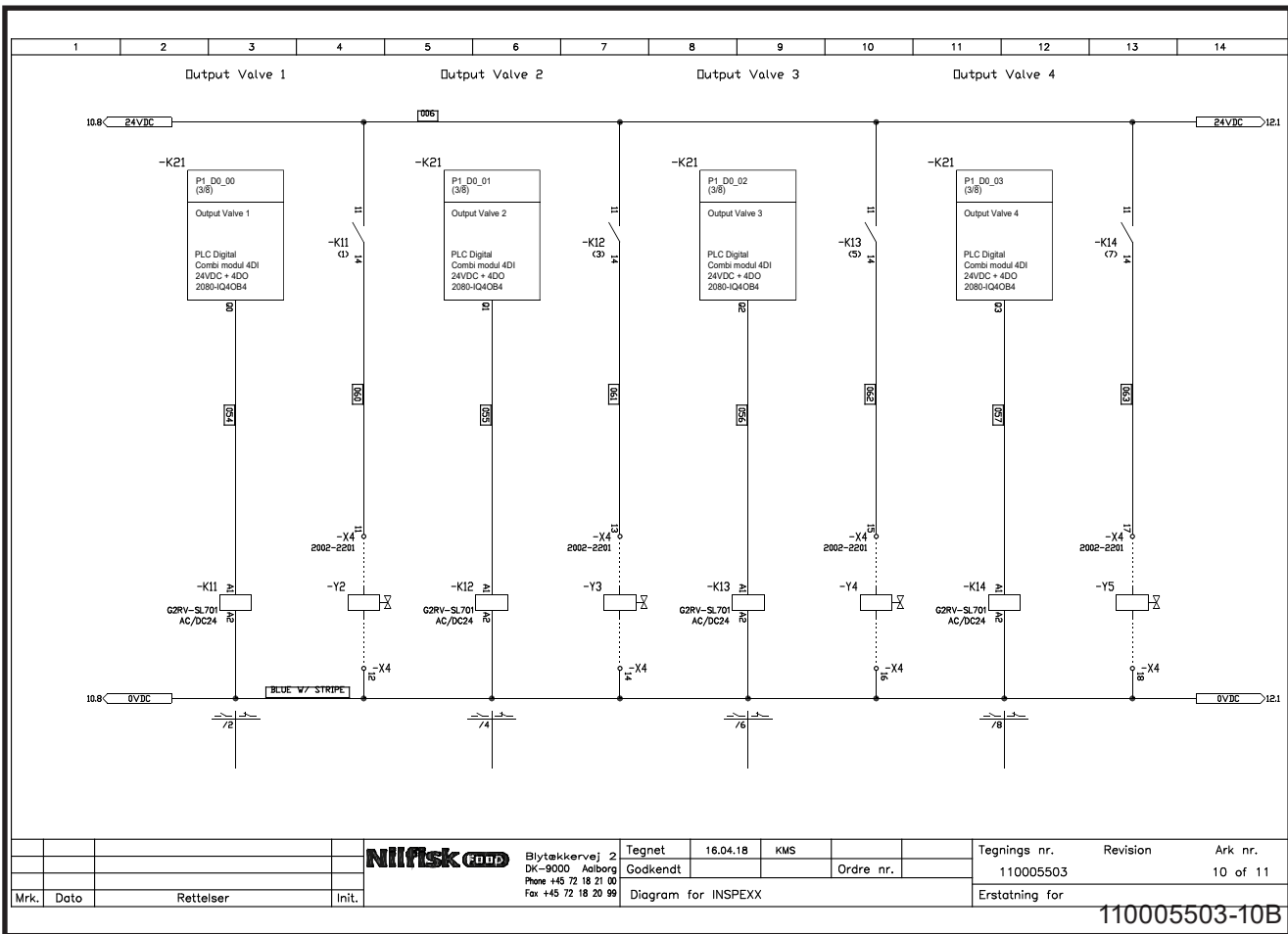
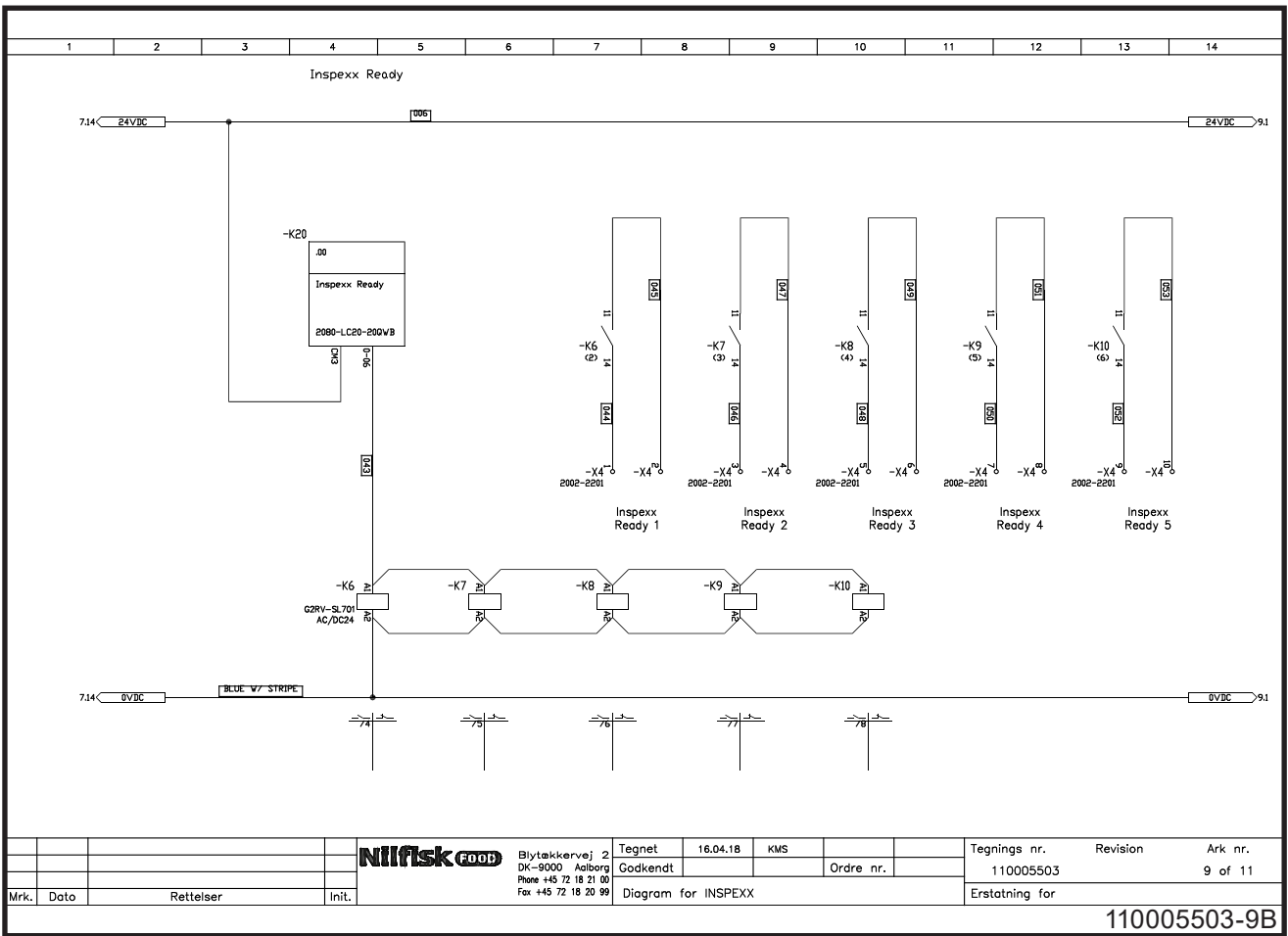






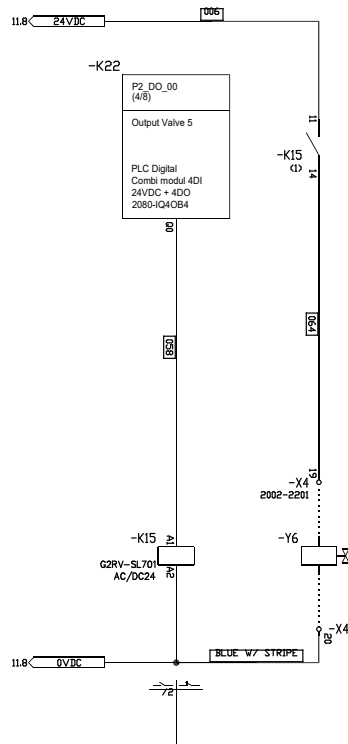






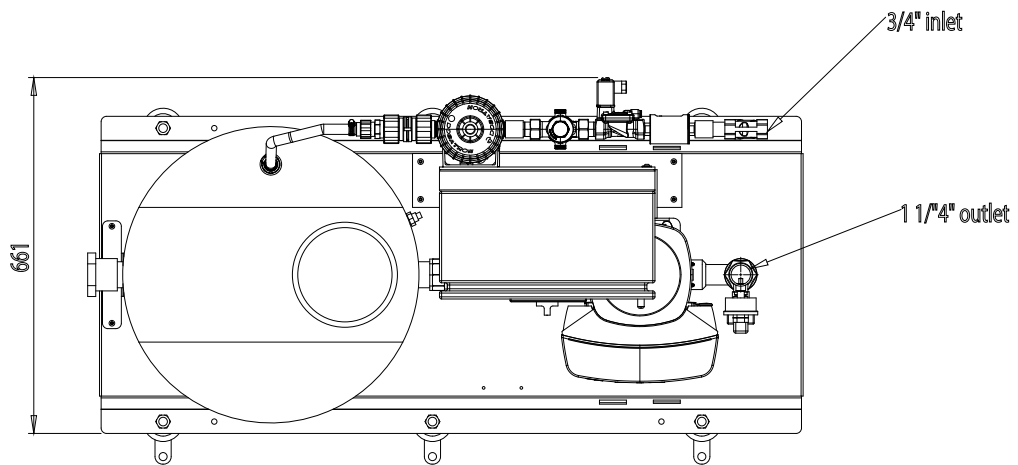
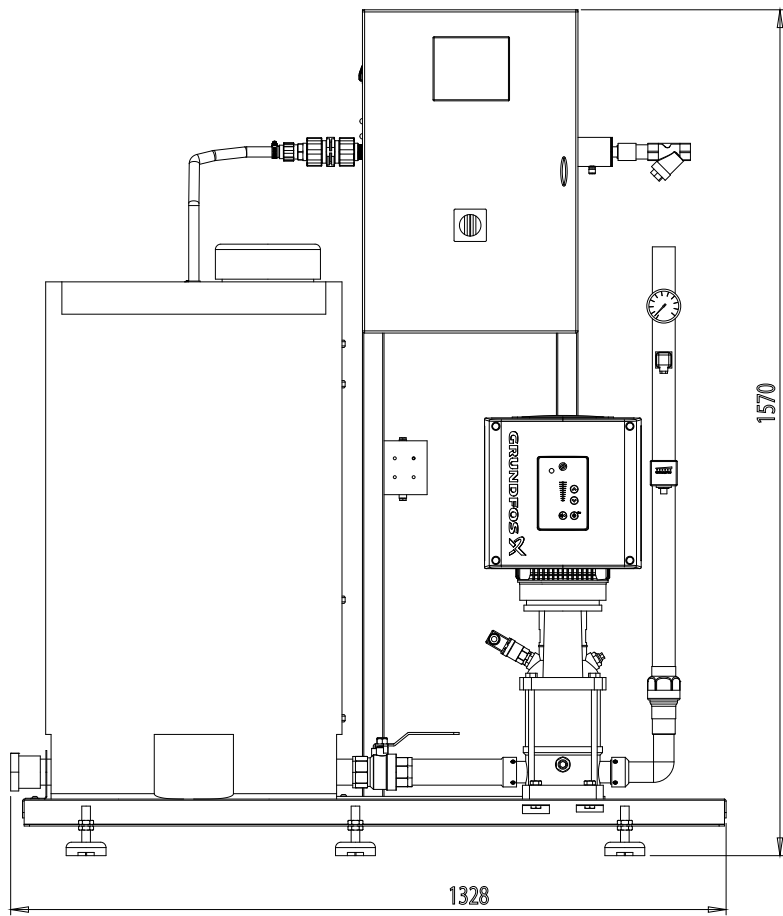
1	2	3	4	5	6	7	8	9	10	11	12	13	14
---	---	---	---	---	---	---	---	---	----	----	----	----	----

Output Valve 5



				<b>Nilfisk</b>	Blytækkervej 2 DK-9000 Aalborg Phone +45 72 18 21 00 Fax +45 72 18 20 99	Tegnet Godkendt	16.04.18	KMS	Ordre nr.	Tegnings nr. 110005503	Revision	Ark nr. 11 of 11
Mrk.	Dato	Retteiser	Init.	Diagram for INSPEXX				Erstatning for		110005511-8B		

# Mounting Inspexx SD mark. II



119000460-2

ECOLAB Engineering GmbH,  
F & B Engineering Competence Centre EMEA,  
Raiffeisenstraße 7,  
D-83313 Siegsdorf  
Telephone.: (+49) 86 62 /61 0 - Fax: (+49) 86 62 / 61 2 35  
e-Mail: [engineering-mailbox@ecolab.com](mailto:engineering-mailbox@ecolab.com)



Printed in Denmark

No.: 110006027F 03/2024  
Serial no: 136.01.000XXX