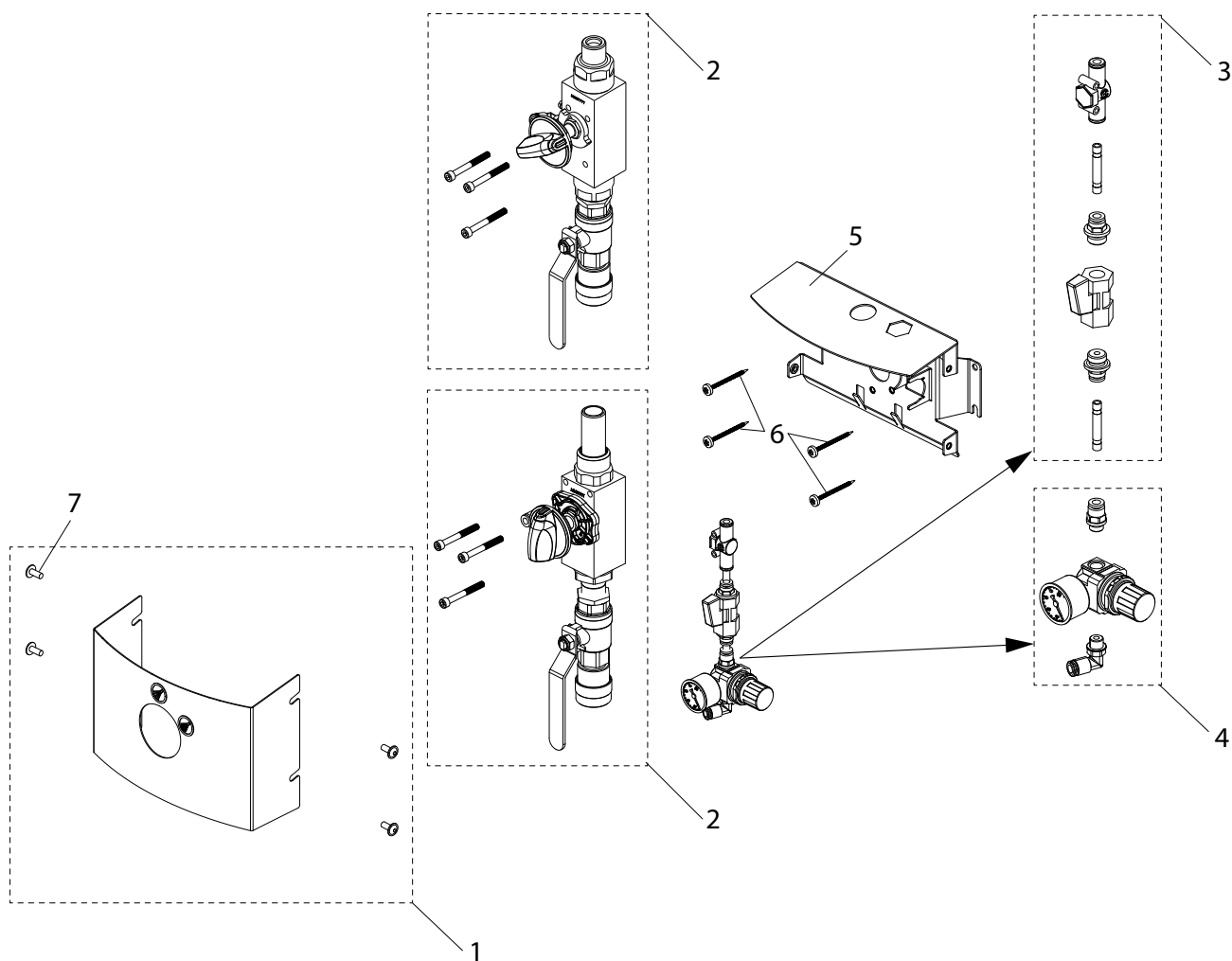


**Recommended spare parts**  
**Empfehlenswerte Ersatzteile**  
**Pièces de rechange conseiées**  
**Piezas de requesto recomendadas**

# SE



110008775B

Pos./Ref. Nr. No.	Description Beschreibung Désignation Designación	SE11
1	110007116 Cover complete	1
2	110006858 Hybrid ECO Block complete - serial no: →145.01.000xxx, see page 66	
2	110008770 Hybrid ECO Block complete - serial no: 157.01.000xxx → see page 68	
3	110007099 Air complete	1
4	110007100 Air regulation complete	1
5	110006883 Back plate - serial no: → 145.01.000xxx	
5	110008616 Back plate - serial no: 157.01.000xxx →	
6	0607929 Screw kit	
7	110007097 (11000847) Screw kit	

English (EN)

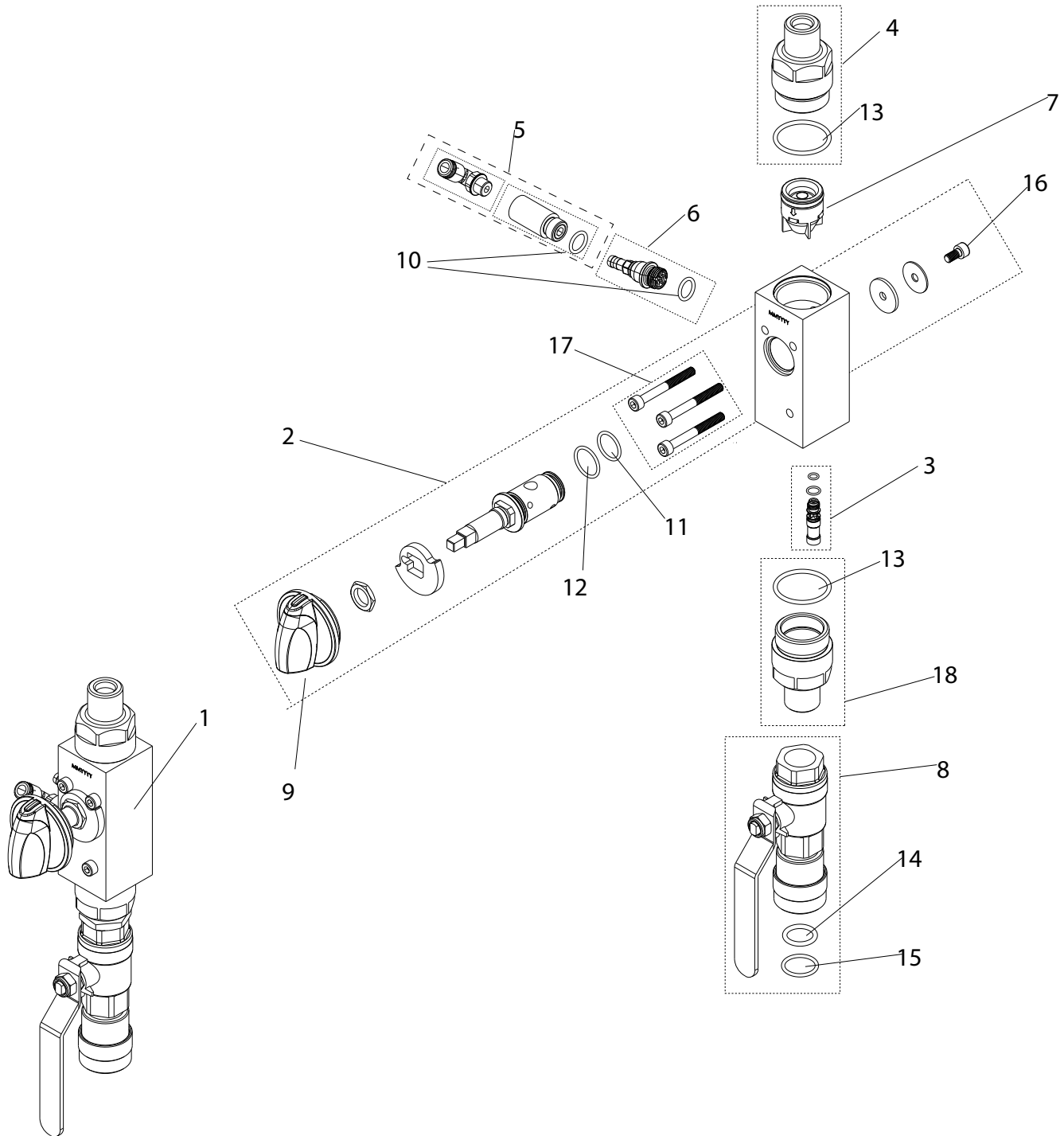
Deutsch (DE)

Français (FR)

Español (ES)

# Hybrid ECO

Serial no. →145.01.000xxx



110006917

Pos./Ref.	Nr. No.	Description Beschreibung Désignation Designación	SE11
1	110006858	Block Hybrid ECO complete	1
2	110007101	Axle complete	1
3	110007098	Injector plastic kit	1
4	110007106	Inlet connection pipe kit	1
5	110003096	Air non return valve with fitting	1
6	110004434	Plast chemical non return valve	1
7	0603338	Water non return valve	
8	110003682	Outlet coupling complete	
9	909100248	Operation button	1
10	110007096 (110002952)	O-ring kit	
11	110007096 (110002508)	O-Ring kit	
12	110007096 (350108)	O-Ring kit	
13	110007096 (110000038)	O-Ring kit	
14	110007096 (641101)	O-Ring kit	
15	110007096 (641102)	O-Ring kit	
16	110007097 (0600009)	Screw kit	
17	110007097 (110000526)	Screw kit	
18	110006214	Outlet connection pipe kit	1

English (EN)

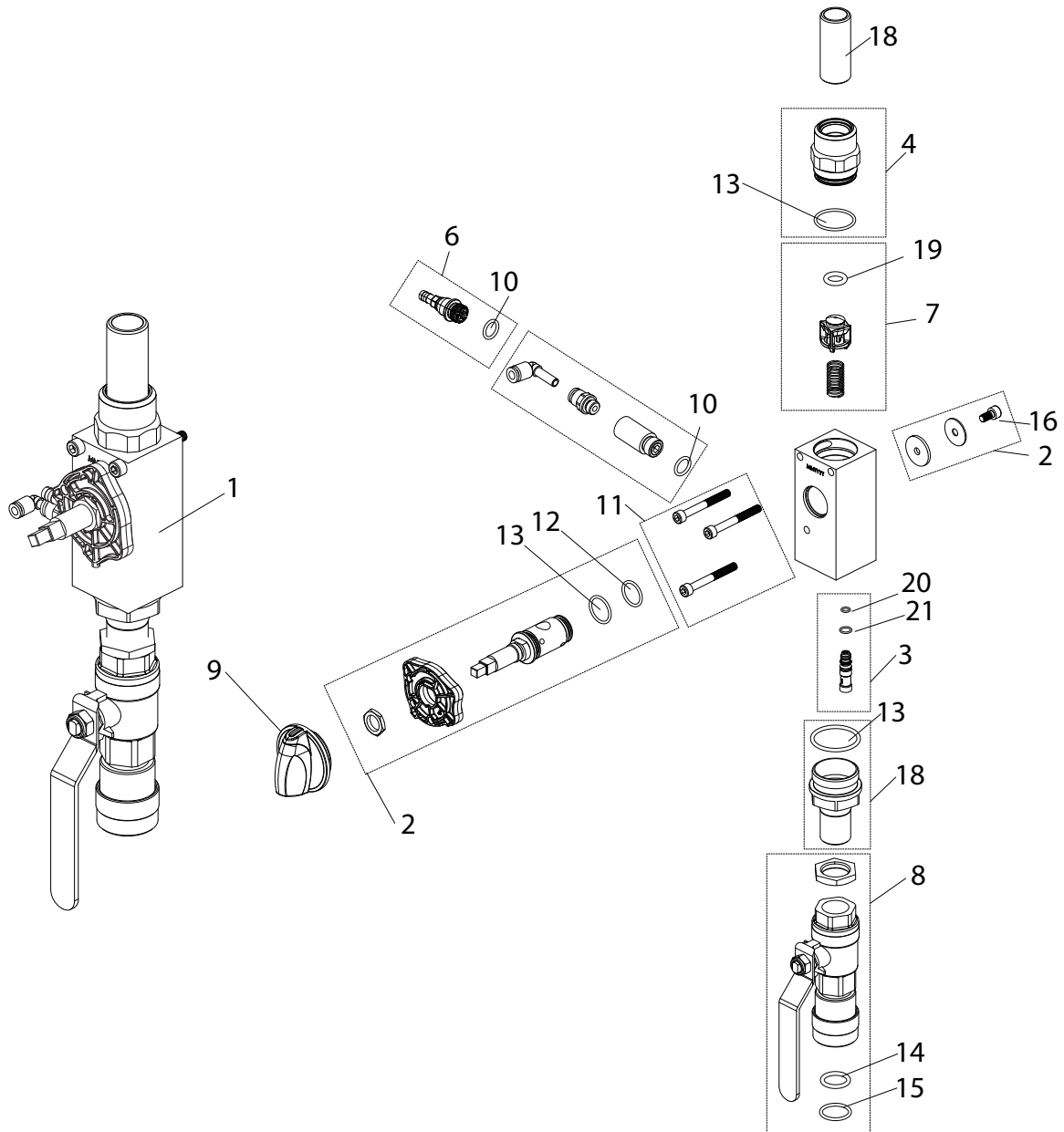
Deutsch (DE)

Français (FR)

Español (ES)

# Hybrid ECO

Serial no. 157.01.000xxx →



11008771C

Pos./Ref.	Nr. No.	Description Beschreibung Désignation Designación	SE11
1	110008770	Block Hybrid ECO complete	1
2	110008777	Axle complete	1
3	110007098	Injector plastic kit	1
4	110008767	Inlet connection pipe kit	1
5	110003096	Air non return valve with fitting	1
6	110004434	Plast chemical non return valve	1
7	110008772	Water non return valve	1
8	110003682	Outlet coupling complete	1
9	909100249	Operation button	1
10	110007096 (110002952)	O-ring kit	
11	110007097 (110000526)	Screw kit	
12	110007096 (110002508)	O-Ring kit	
13	110007096 (350108)	O-Ring kit	
14	110007096 (641101)	O-Ring kit	
15	110007096 (641102)	O-Ring kit	
16	110007097 (0600009)	Screw kit	
18	0608106	Pipe	1
19	110007096 (110008303)	O-ring kit	
20	110007096 (110004888)	O-ring kit	
21	110007096 (110004887)	O-ring kit	

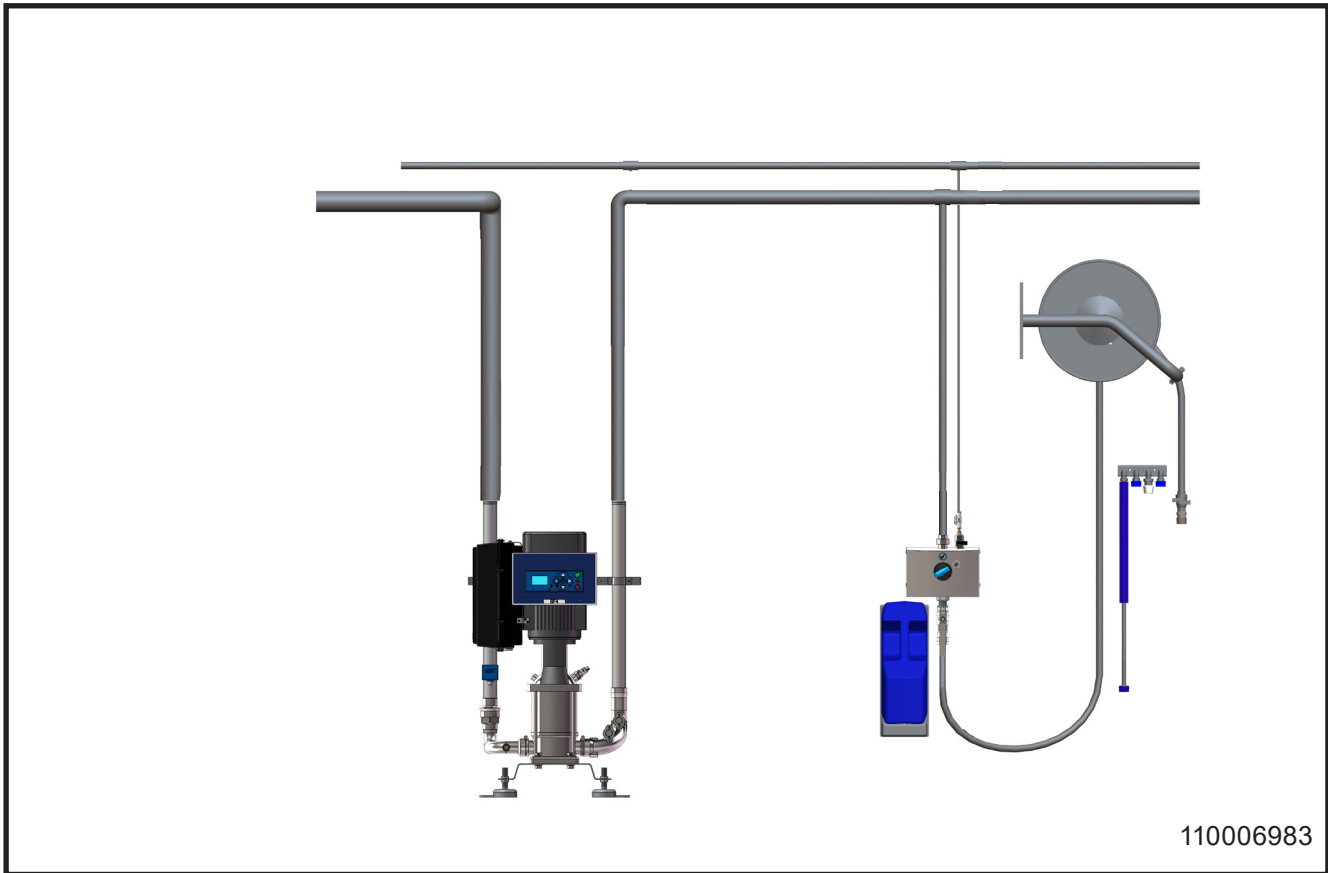
English (EN)

Deutsch (DE)

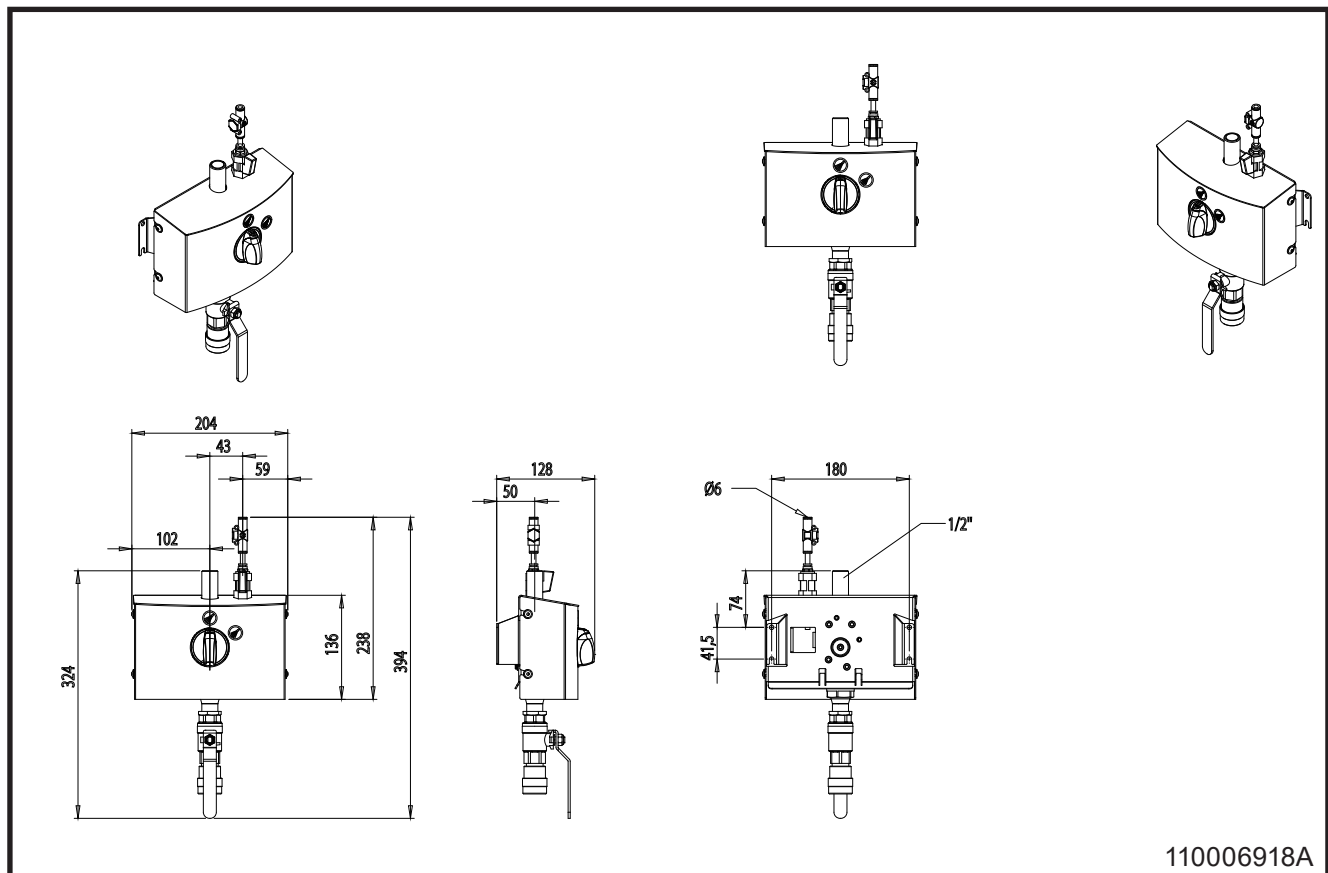
Français (FR)

Español (ES)

# Installation



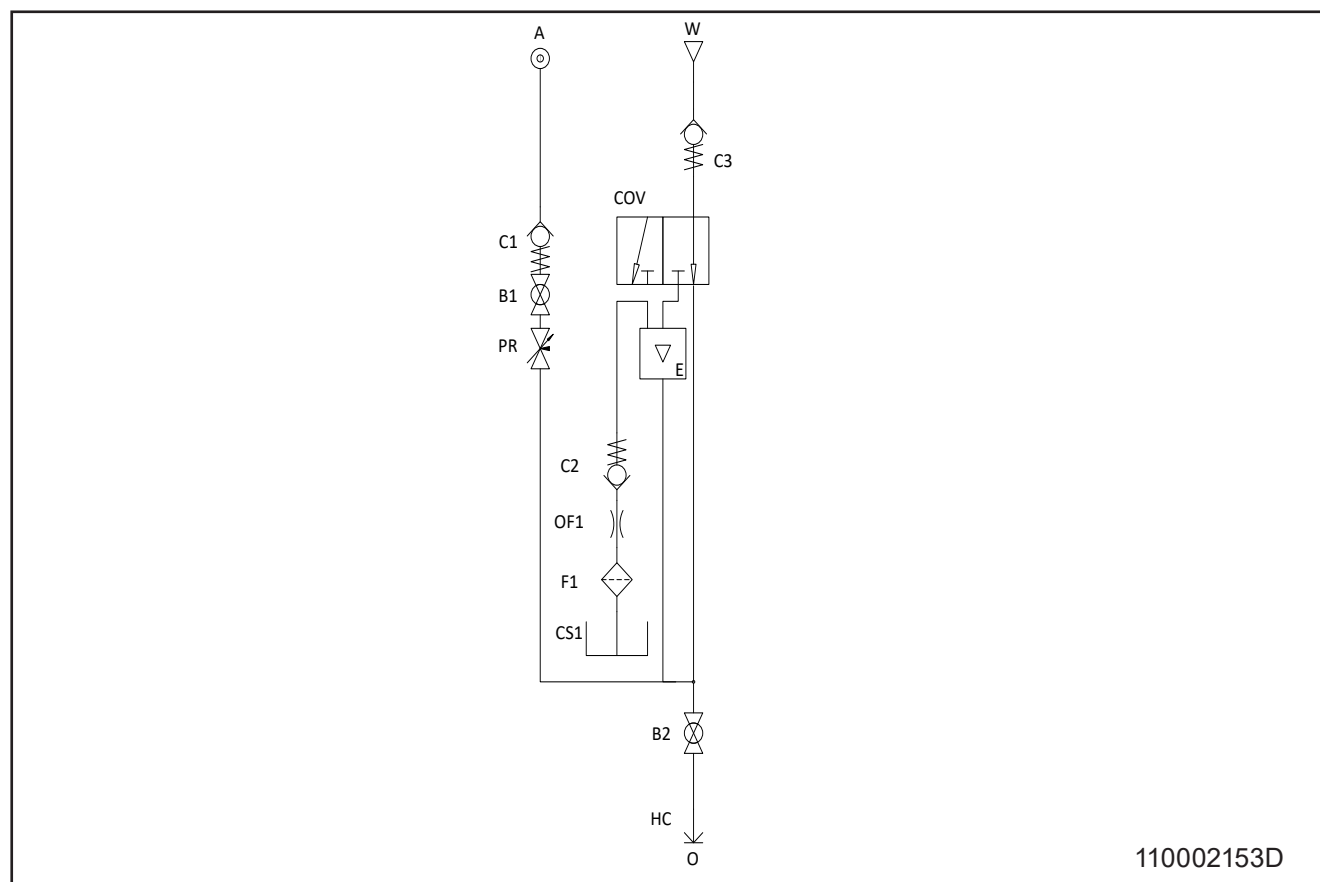
110006983



110006918A



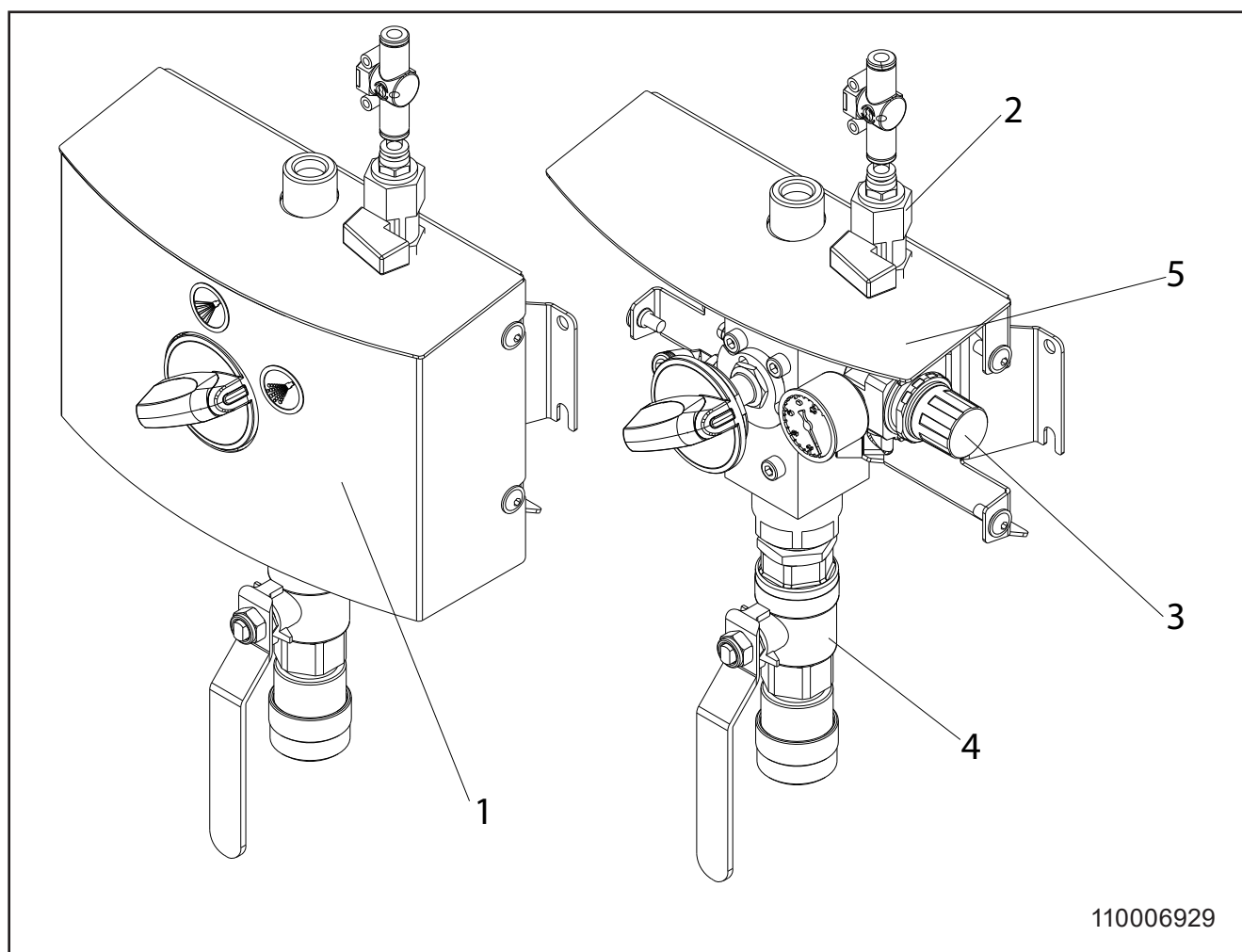
## Operating Diagram



	English	Deutsch	Français	Español
A	Air supply	Lufteingang	Alimentation air	Suministro de aire
B	Ball valve	Kugelventil	Clapet à bille	Válvula esférica
C	Check valve	Contraventil	Soupape de non retour	Válvula de retención
COV	Change over valve	Umschaltventil	Robinet coupleur	Válvula de conmutación
D	Outlet	Ausgang	Sortie	Salida
E	Ejector	Ausstoß	Ejecteur	Eyector
HC	Hose connection	Schlauchverbindung	Connexion flexible	Conexión de tubo flexible
OF	Orifice	Blende	Orifice	Orificio
PR	Pressure regulator	Druckregler	Régulateur de pression	Régulador de presión
W	Water inlet	Wassereinlassrohr	Admission d'eau	Toma de agua

# Layout Hybrid ECO SE11

## Hybrid ECO SE11



	English	Deutsch	Français	Español
1	Cover	Abdeckung	Couvercle	Cubierta
2	Air complete	Luft Komplet	Air achevé	Aire completar
3	Air regulation complete	Luft Regulierung Komplet	Air régulation achevé	Aire regulación completar
4	Quick coupling with check tap	Schnellkupplung mit Kontrollöffnung	Raccord rapide avec robinet de contrôle	Acoplamiento rápido con regulador de retención
5	Back plate	Hinter platte	Panneau arrière	Panel posterior

**Nilfisk** **FOOD**

No.: 110006976D 04/2024  
Serial no: 157.01.000XXX

Printed in Denmark