

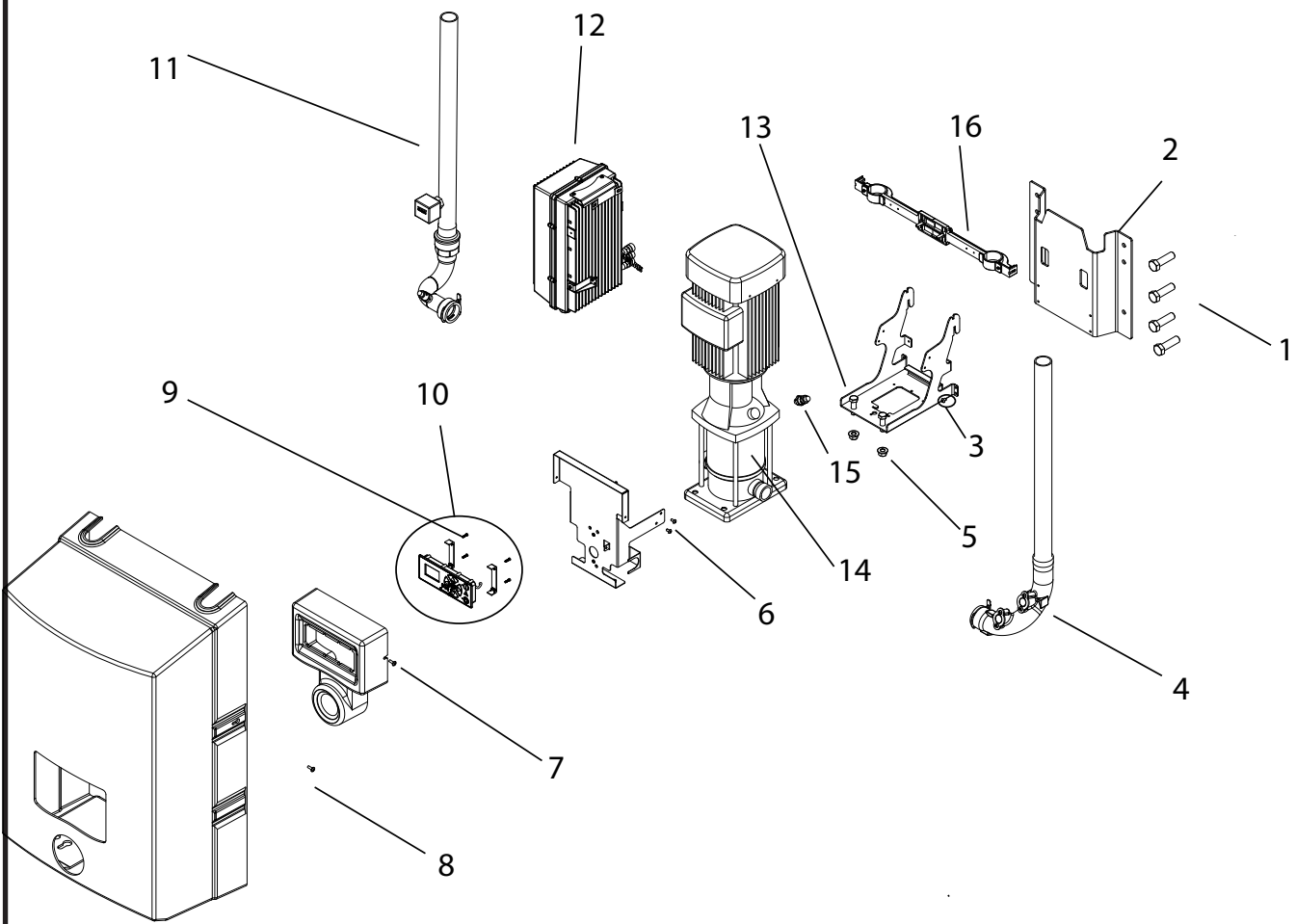
**Recommended spare parts**  
**Empfehlenswerte Ersatzteile**  
**Pièces de rechange conseiées**  
**Piezas de requesto recomendadas**

Most frequently changed spare parts: [http://nilfiskfood.com/media/Single\\_boosters.pdf](http://nilfiskfood.com/media/Single_boosters.pdf)





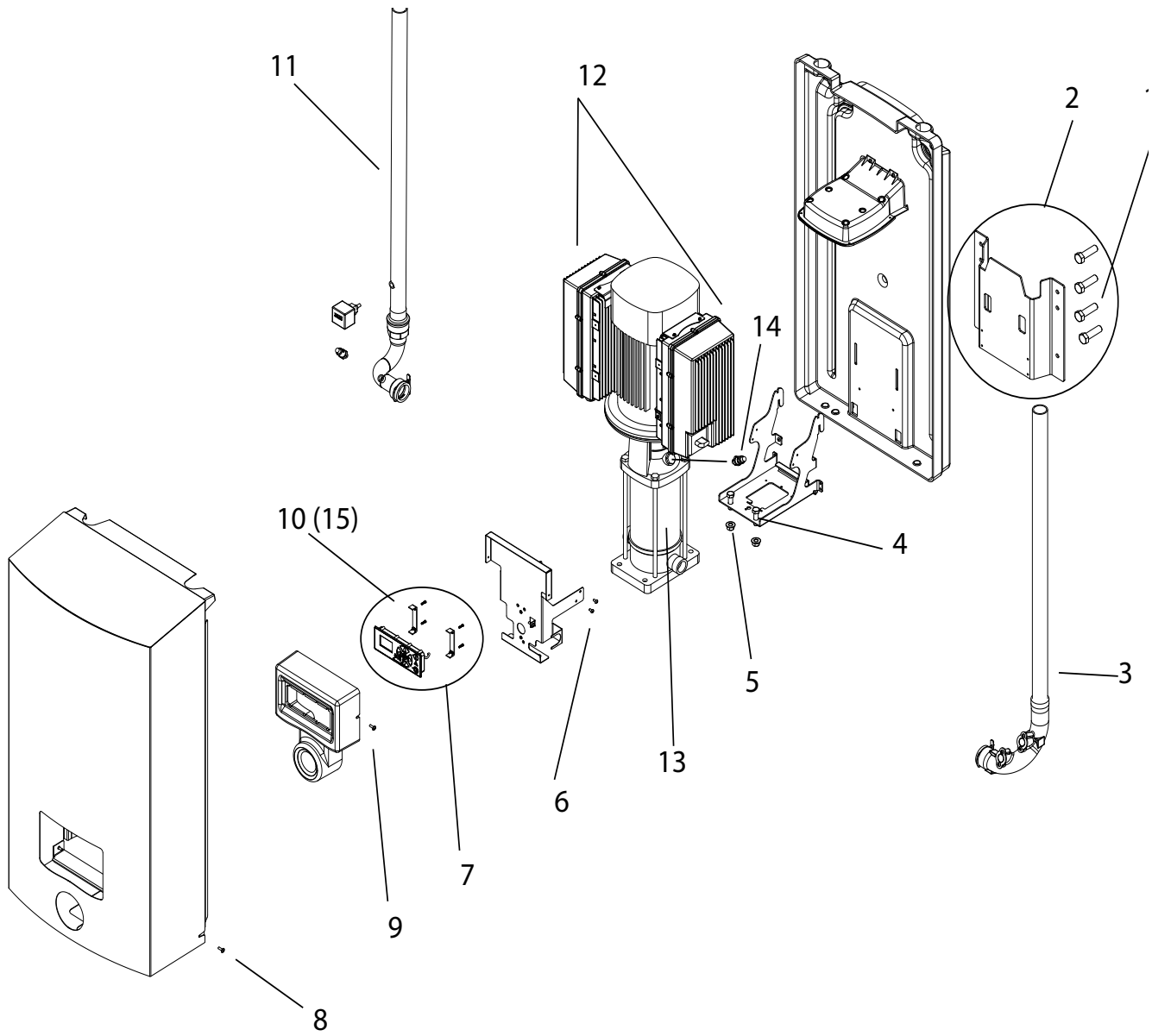
# Pegasus BW4



110003543

Pos./Ref.	Nr. No.	Description	Pegasus BW4	Hybrid BW4	Hybrid BW7	BF4	BF8
1	110001463 (110001346)	<b>Screw kit</b>					
2	110001141	<b>Wall bracket complete</b>	1				
3	110001463	<b>Screw kit</b>					
4		See page 74					
5	110001463 (321700)	<b>Screw kit</b>					
6	110001463 (110003900)	<b>Screw kit</b>					
7	110001463 (11000847)	<b>Screw kit</b>					
8	110001463 (11000847)	<b>Screw kit</b>					
9	110001463 (110000574)	<b>Screw kit</b>					
10	110001245	<b>Display</b>	1	1	1	1	1
11		See page 72					
12		See page 76					
13	110001463 (156704)	<b>Screw kit</b>					
14	0604234	<b>Pump</b>	1				
15	110001144	<b>Pressure sensor kit</b>					
16		See page 40					

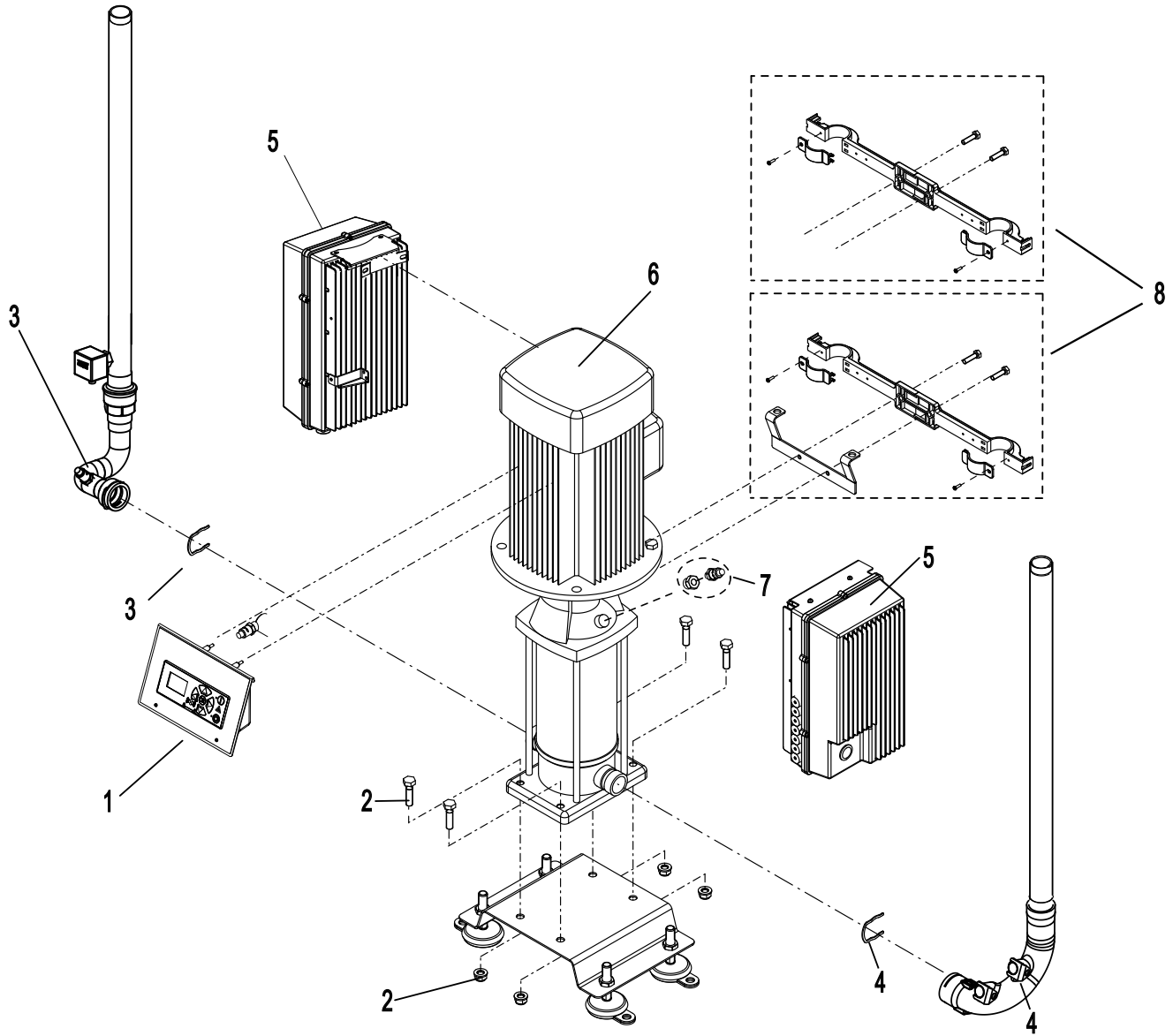
# Hybrid BW4/BW7



110003576

Pos./Ref.	Nr. No.	Description	Pegasus BW4	Hybrid BW4	Hybrid BW7	BF4	BF8
1	110001463 (110001346)	<b>Screw kit</b>					
2	110001141	<b>Wall bracket</b>		1	1		
3	see page 32	<b>Outlet</b>		1	1		
4	110001463 (156704)	<b>Screw kit</b>					
5	110001463 (321700)	<b>Screw kit</b>					
6	110001463 (06020459)	<b>Screw kit</b>					
7	110001245	<b>Display complete</b>	1	1	1	1	1
8	110001463 (110000847)	<b>Screw kit</b>					
9	110001463 (110000574)	Screw kit					
10	110001245	<b>Display</b>	1	1	1	1	1
11		see page 72					
12		see page 76					
13	0604232	<b>Pump</b>			1		
13	0604234	<b>Pump</b>		1			
14	110001144	<b>Pressure sensor kit</b>					
15	110006324	<b>Display for 119000400 and 119000420</b>				1	1

# Hybrid-BF4



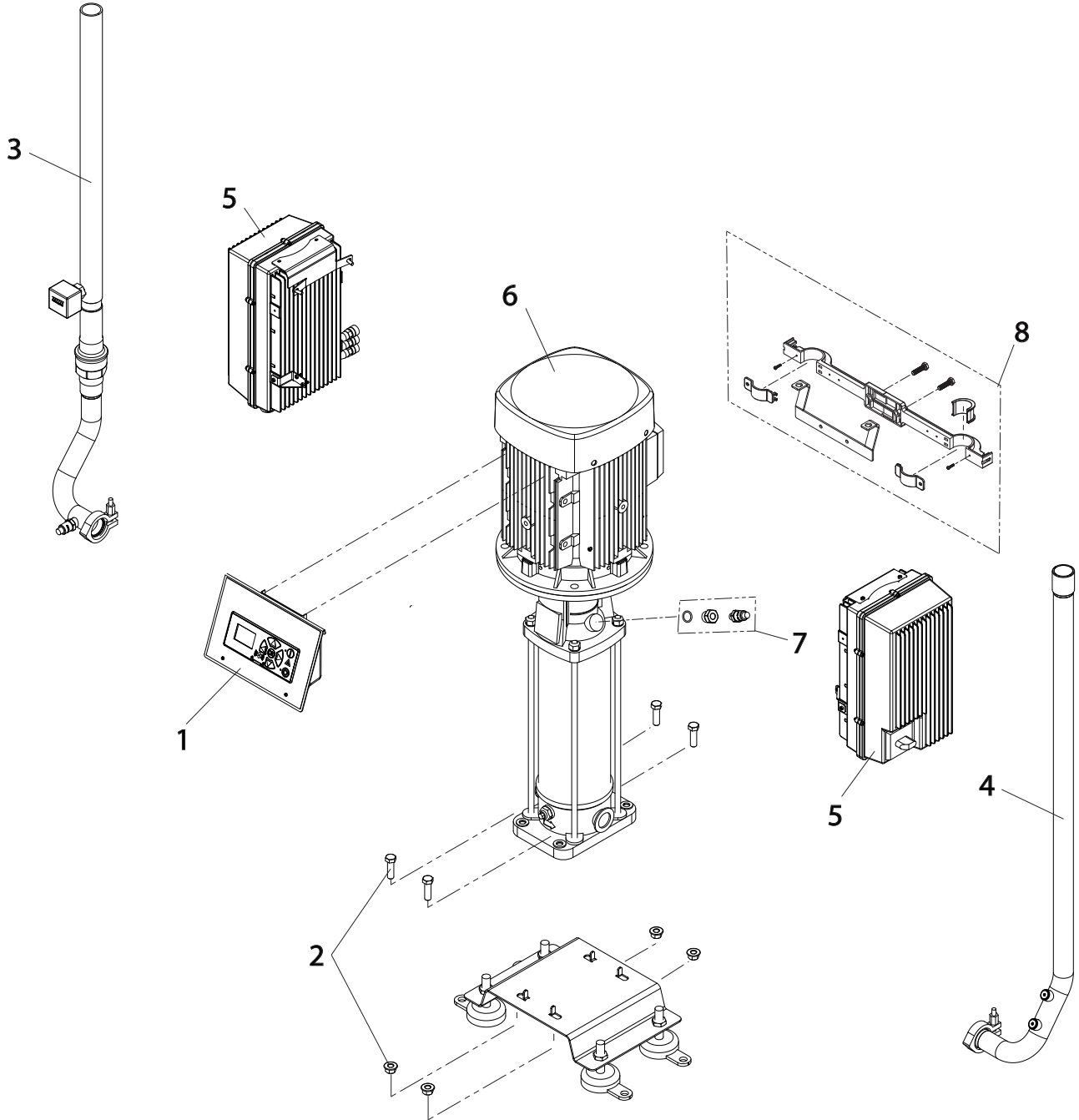
110001044

Pos./Ref.	Nr. No.	Description	Pegasus BW4	Hybrid BW4	Hybrid BW7	BF4	BF8
1		See page 80					
2	110001143 (156704)	Screw kit for pump					
3		See page 72					
4		See page 74					
5		See page 76/78					
6	0604234	Pump				1	
6	110000373	Pump					
7	110001144	Pressure Sensor kit					
8		See page 82					



# Hybrid-P BF8

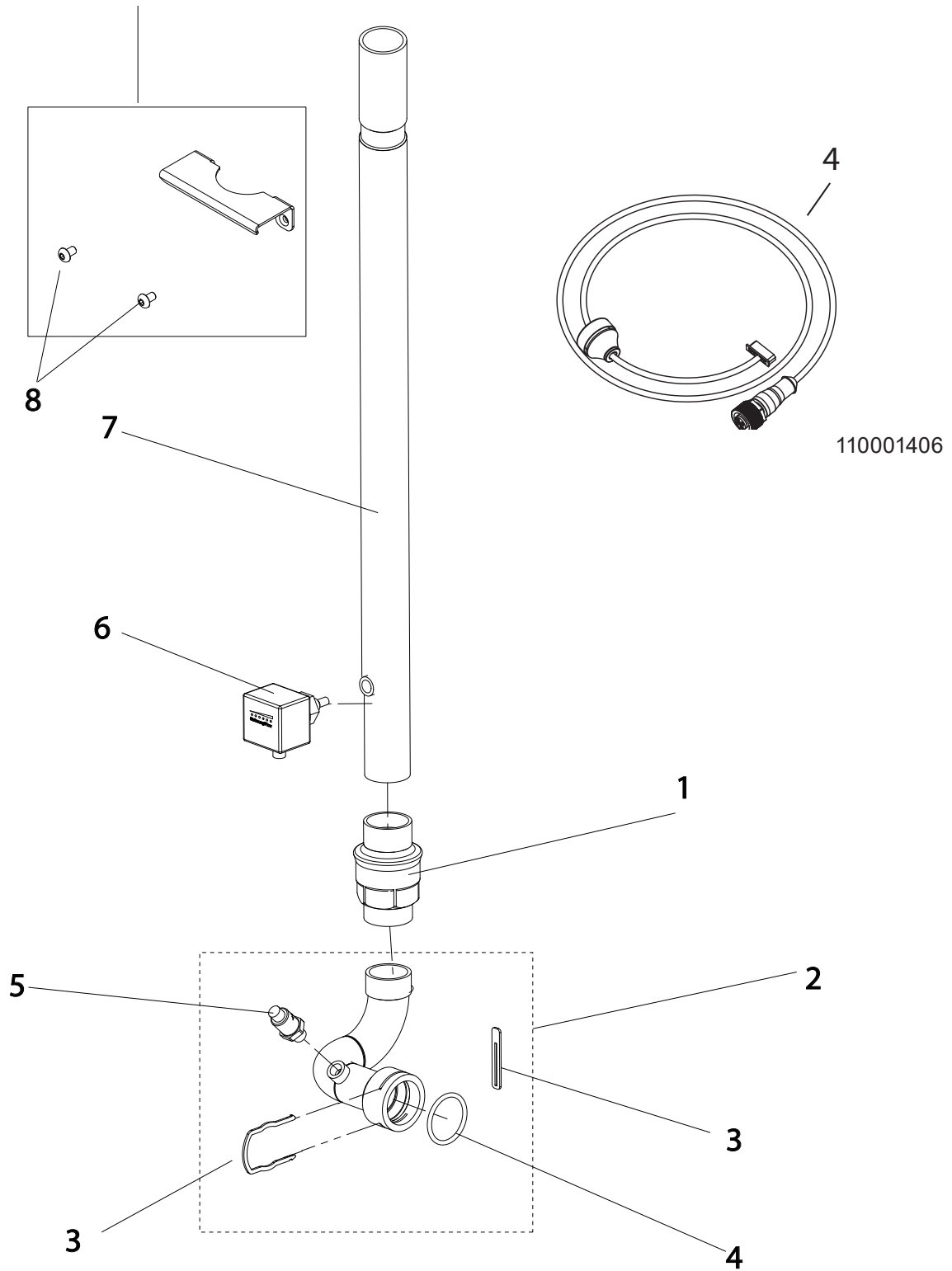
Serial no. 150.01.xxxxxx



110008680

Pos./Ref.	Nr. No.	Description	Pegasus BW4	Hybrid BW4	Hybrid BW7	BF4	BF8
1		See page 80					
2	110001143 (156704)	Screw kit for pump					
3		See page xx					
4		See page xx					
5		See page 76/78					
6	110000373	Pump					1
7	110001144	Temperature Sensor kit					
8		See page 82					

# Inlet pipe



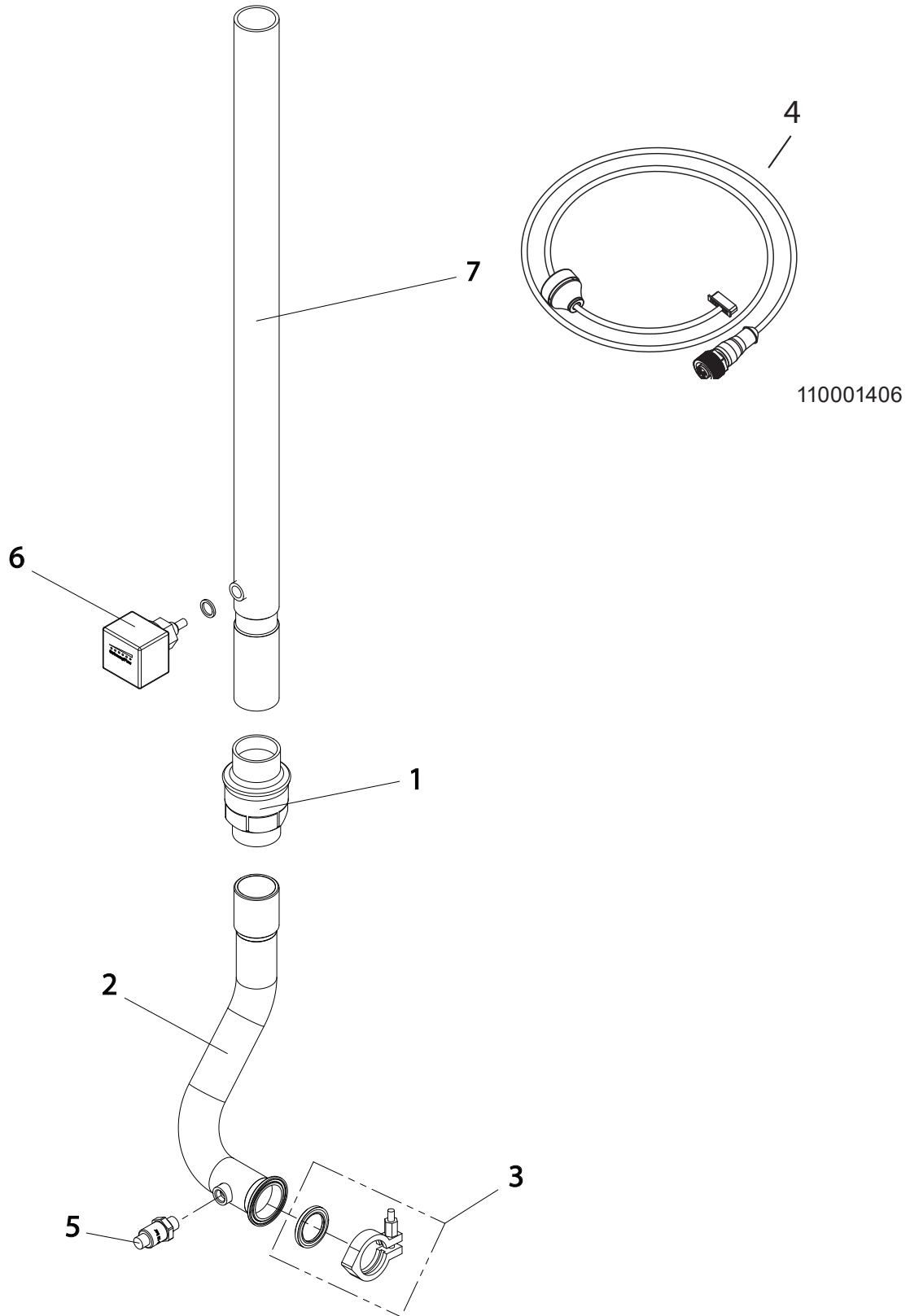
110001406

110001270

Pos./Ref.	Nr. No.	Description	Pegasus BW4	Hybrid BW4	Hybrid BW7	BF4	BF8
1	630900	<b>Non return valve</b>	1	1	1	1	
2	110001240	<b>Inlet manifold</b>	1	1	1	1	
2	110002664	<b>Inlet manifold</b>					
3	110001250	<b>Split kit</b>	1	1	1	1	
4	110000971	<b>Sensor cable</b>	1	1	1	1	
5	110000889	<b>Sensor</b>	1	1	1	1	
6	110000963	<b>Flow switch</b>	1	1	1	1	
7	110001462 (603700)	<b>O-ring kit</b>					
8	110001312	<b>Inlet pipe</b>		1	1		
8	110001255	<b>Inlet pipe</b>				1	
8	110002662	<b>Inlet pipe</b>					
8	110001255	<b>Inlet pipe</b> → <b>15-07-18</b>	1				
8	110006177	<b>Inlet pipe</b> <b>15-07-18</b> →	1				

# Inlet pipe BF8

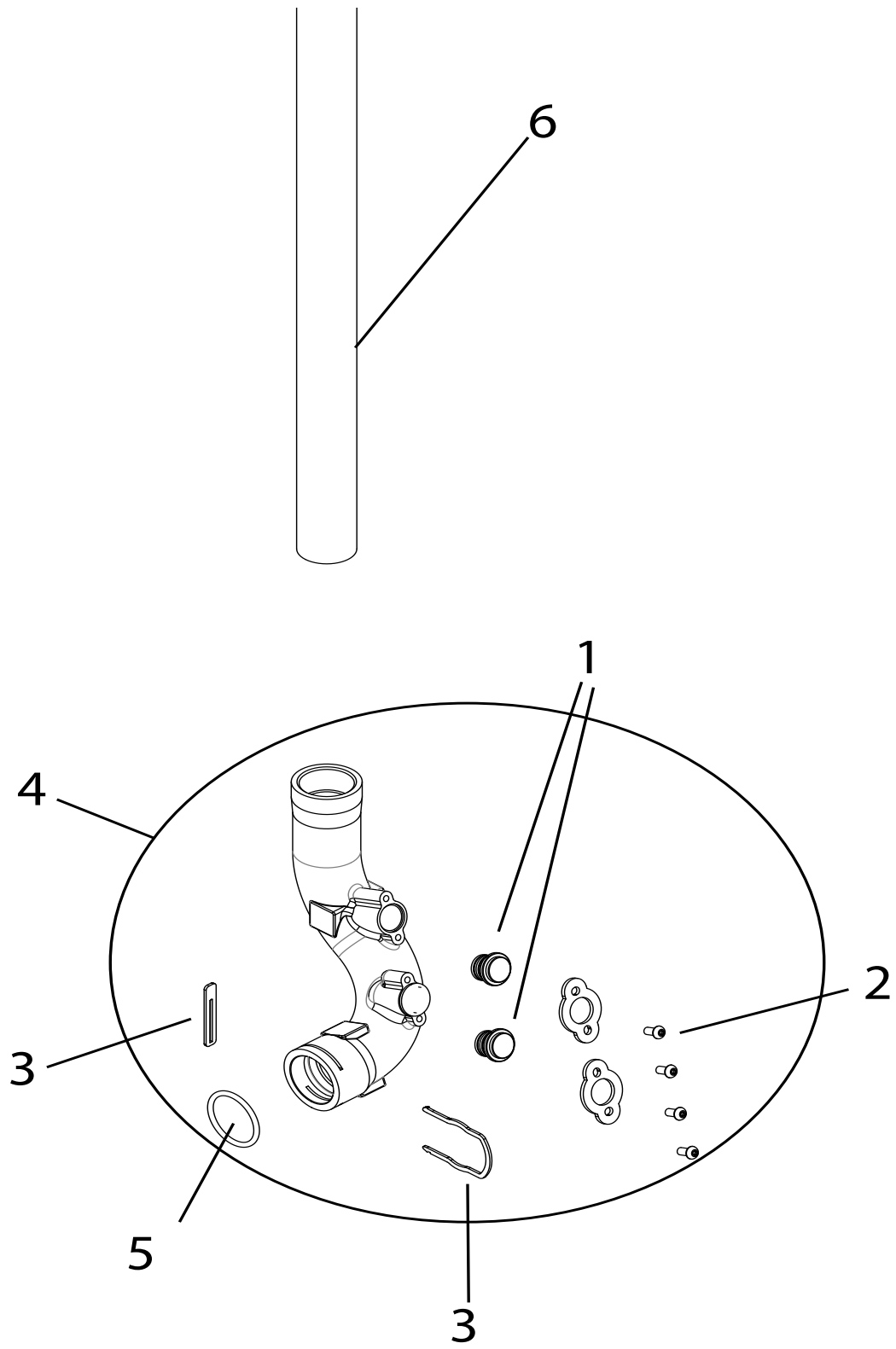
Serial no. 150.0x.xxxxxx



110008287

Pos./Ref.	Nr. No.	Description	Pegasus BW4	Hybrid BW7	Hybrid BF4	Hybrid BF8	Hybrid BF8
1	630900	<b>Non return valve</b>					1
2	110004913	<b>Piping inlet</b>					1
3	110005273	<b>Clamp kit</b>					1
4	110008188	<b>Sensor cable</b>					1
5	110000889	<b>Sensor</b>					1
6	110000963	<b>Flow switch</b>					1
7	110008306	<b>Inlet pipe</b>					1

# Outlet pipe



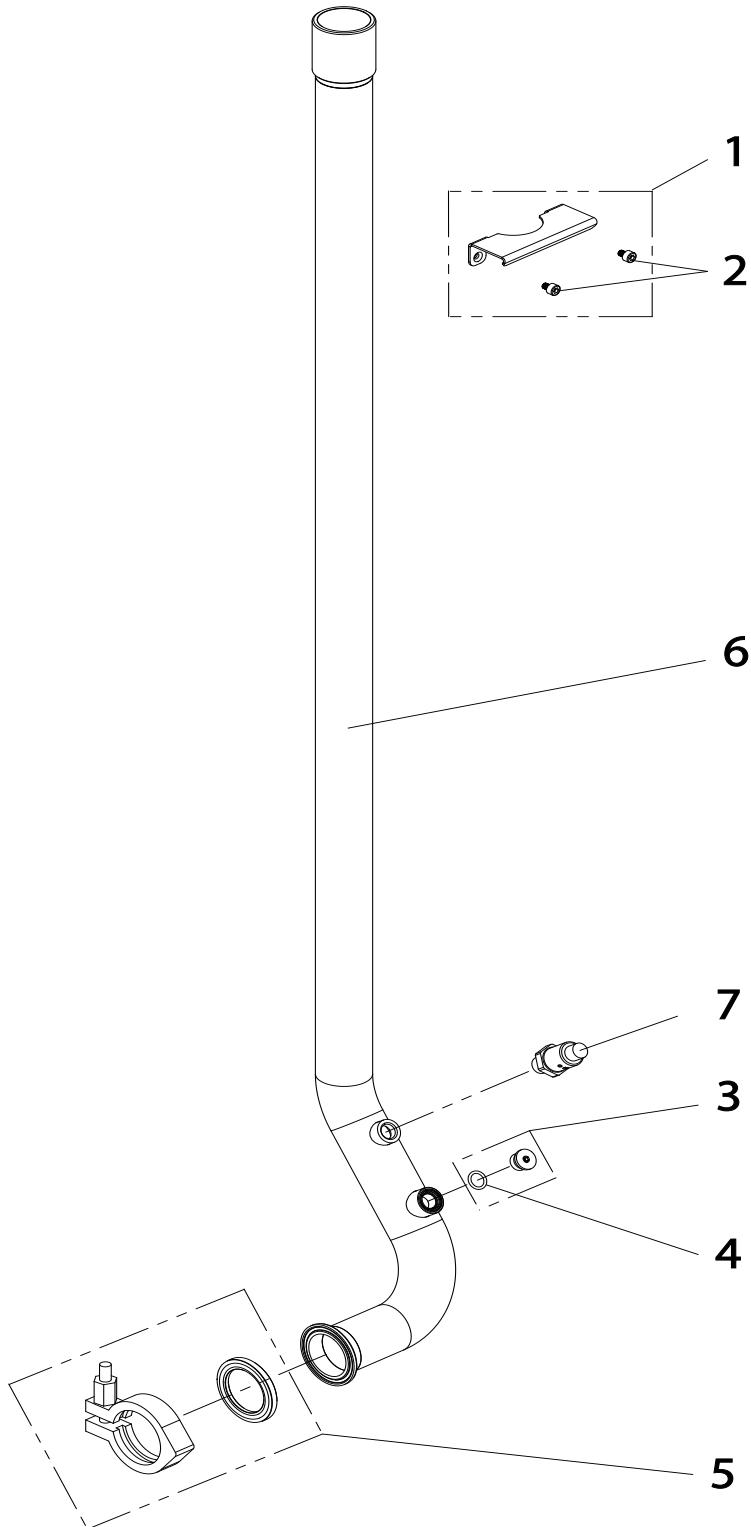
110003545

Pos./Ref.	Nr. No.	Description	Pegasus BW4	Hybrid BW4	Hybrid BW7	BF4	BF8
1	110001145	<b>Plug</b>	2	2	2	2	2
2	110001463 (0602094)	<b>Screw kit</b>					
3	110001250	<b>Split kit</b>	1	1	1	1	1
4	110001461	<b>Outlet manifold complete</b>	1	1	1	1	1
5	110001462 (603700)	<b>O-ring kit</b>					
6	0603324	<b>Outlet pipe</b> → 15-07-18	1				
6	0603328	<b>Outlet pipe</b>		1	1		1
6	0603324	<b>Outlet pipe</b>				1	
6	110006174	<b>Outlet pipe</b> 15-07-18 →					



# Outlet pipe-BF8

Serial no. 150.0x.xxxxxx

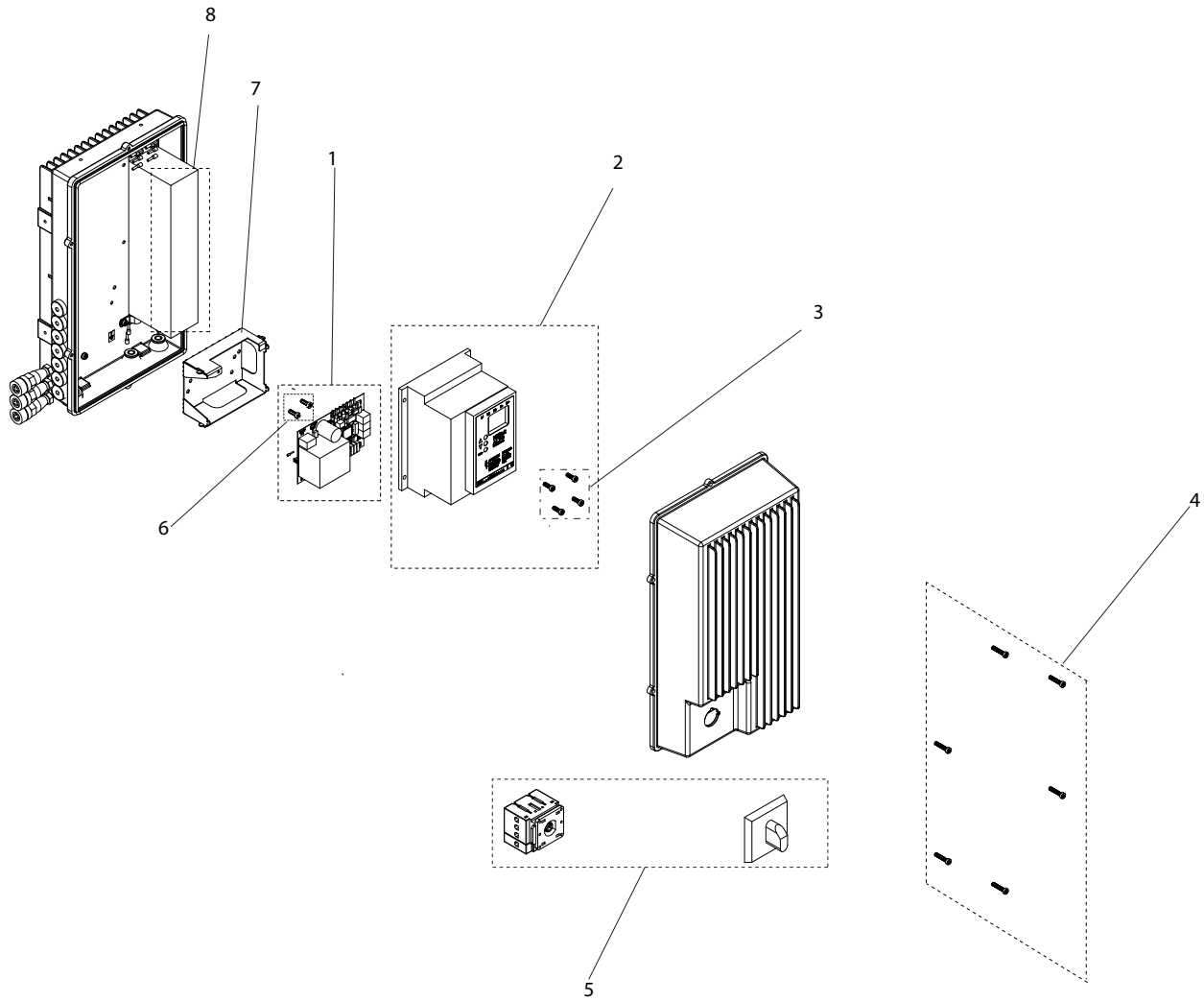


110008351

Pos./Ref.	Nr. No.	Description	Pegasus BW4	Hybrid BW7	Hybrid BF4	Hybrid BF8	Hybrid BF8
1	110005280	<b>Bracket</b>					
2	110001463 (110007782)	<b>Screw kit</b>					
3	110002306	<b>Plug</b>					1
4	110001463 (110002952)	<b>O-ring kit</b>					1
5	110005273	Clamp kit					1
6	110008292	<b>Outlet pipe</b>					1
7	110000890	<b>Pressure sensor</b>					1

# Controller

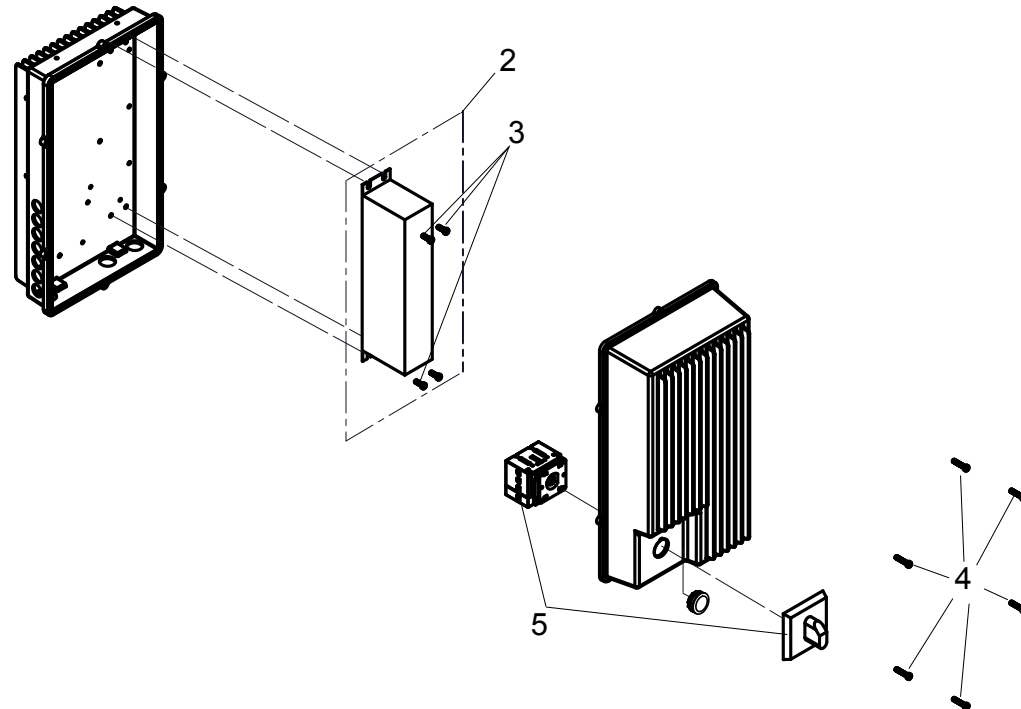
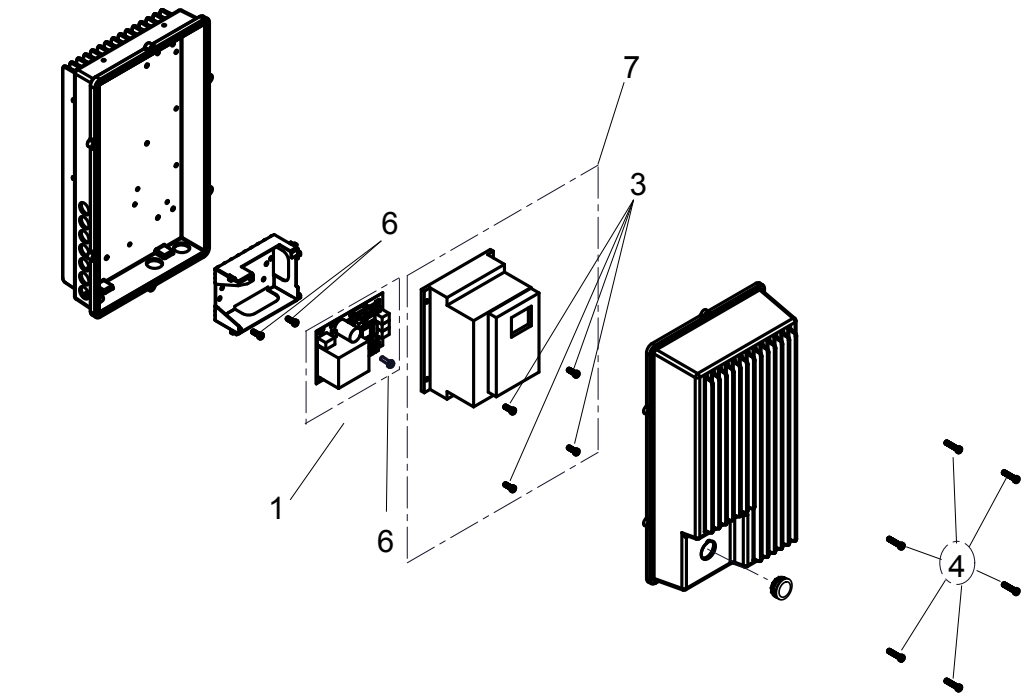
## Pegasus-BW4, Hybrid-BW4, Hybrid BF4



110003509

Pos./Ref.	Nr. No.	Description	Pegasus BW4	Hybrid BW4	BF4
1	110001124	<b>Controller board</b>	1	1	1
2	110001136	<b>Frequncy converter incl. cable</b>	1	1	1
3	110001463 (110004617)	<b>Screw kit</b>			
4	110001463 (0602125)	<b>Screw kit</b>			
5	110001881	<b>Switch</b>	1	1	1
6	110001463 (110004617)	<b>Screw kit</b>			
7	1100001149	<b>Bracket for controller PCB bend</b>	1	1	1
8	0631057	<b>EMC filter 4,0/5,5 kW</b>	1	1	1

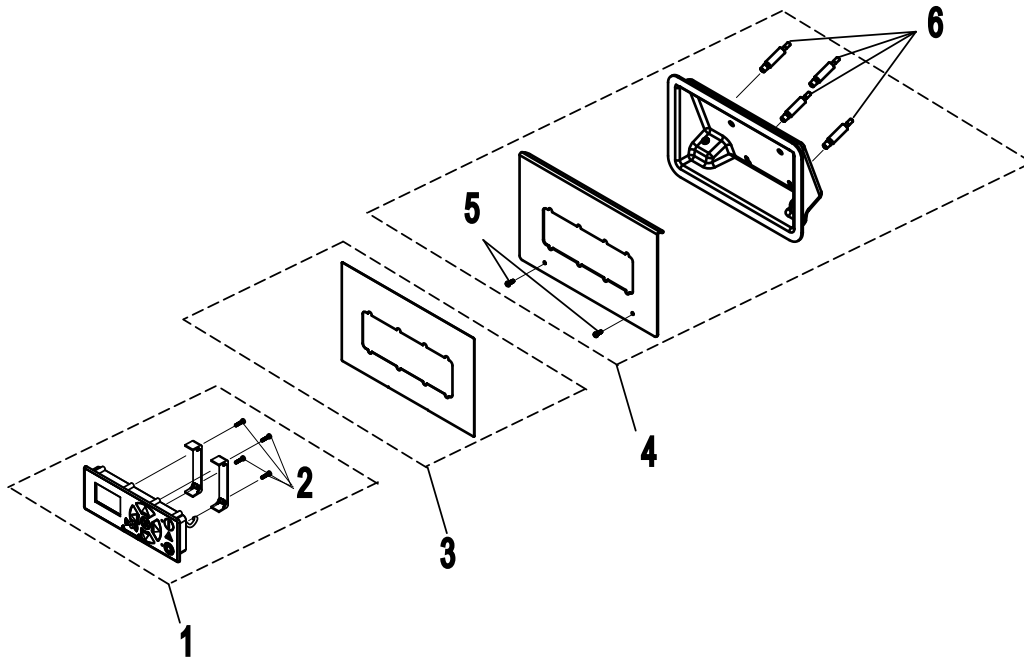
# Controller BW7/BF8



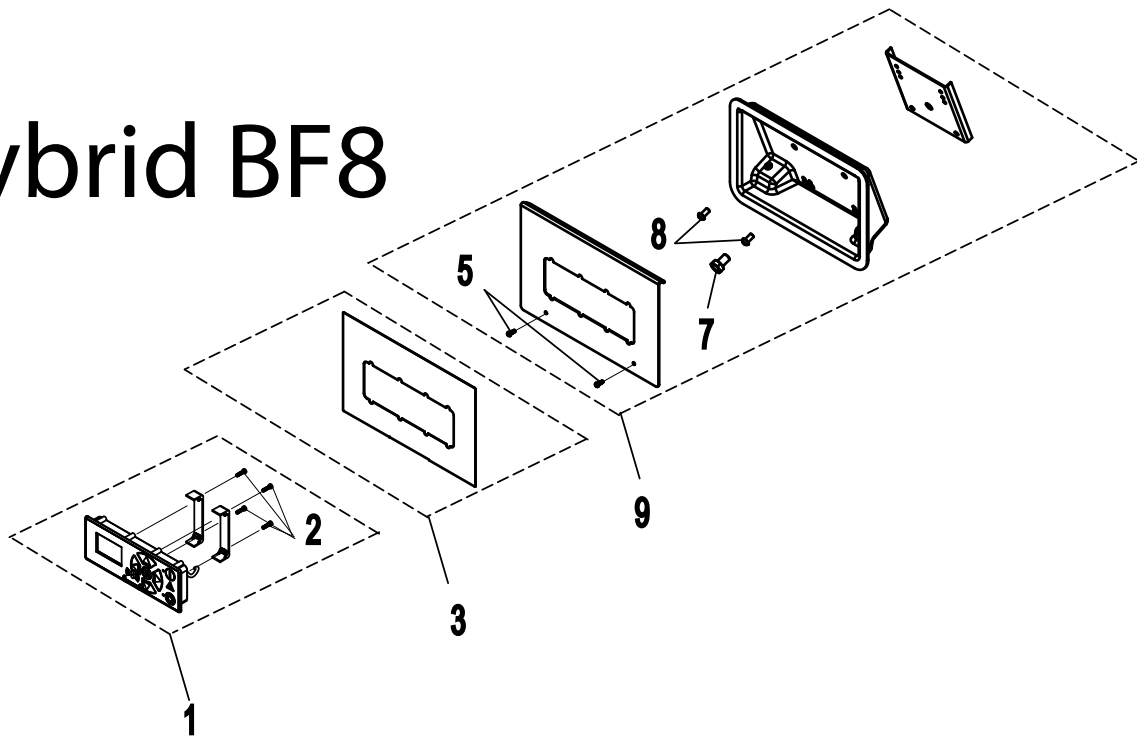
110003714

Pos./Ref.	Nr. No.	Description	Hybrid BW7	BF8
1	110001124	<b>Controller board</b>	1	1
2	110001527	<b>Noise filter</b>	1	1
3	110001463 (110004617)	<b>Screw kit</b>		
4	110001463 (0602125)	<b>Screw kit</b>		
5	110001849	<b>Switch</b>	1	1
6	110001463 (110001369)	<b>Screw kit</b>		
7	110001466	<b>Converter 11Kw</b>	1	1
	110001128	<b>Cable between controller and inverter</b>	1	1

# Hybrid BF4



# Hybrid BF8

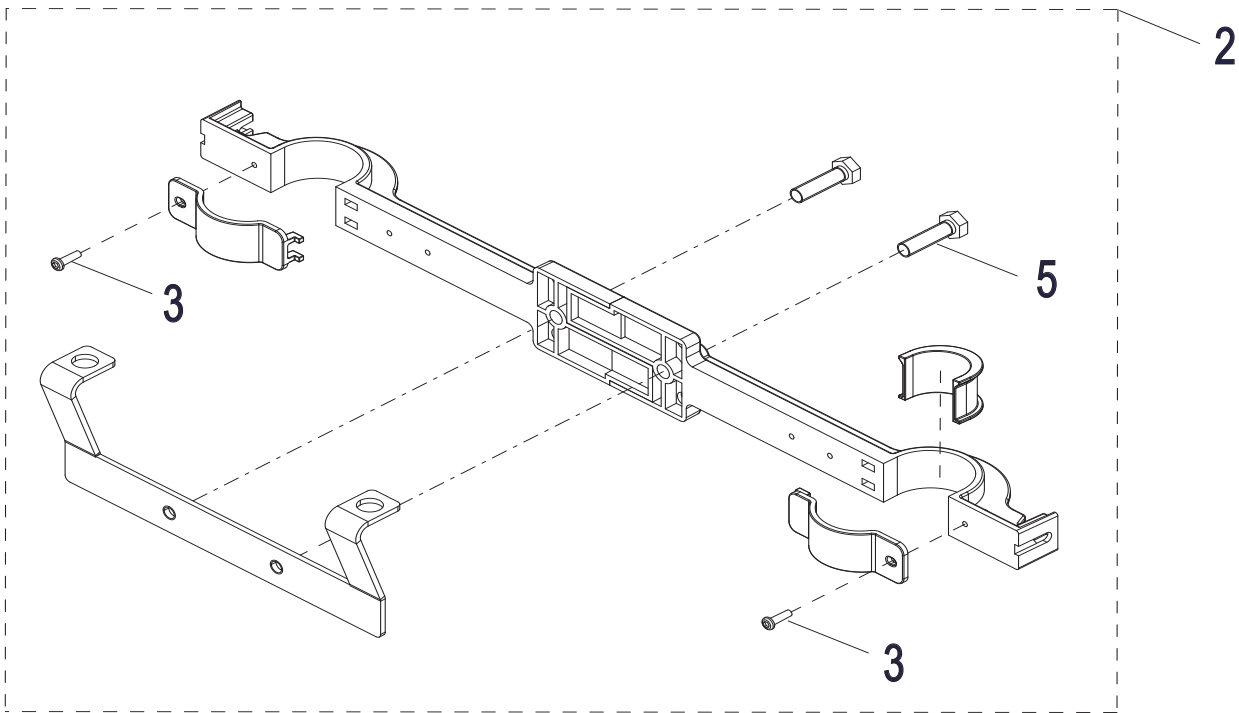
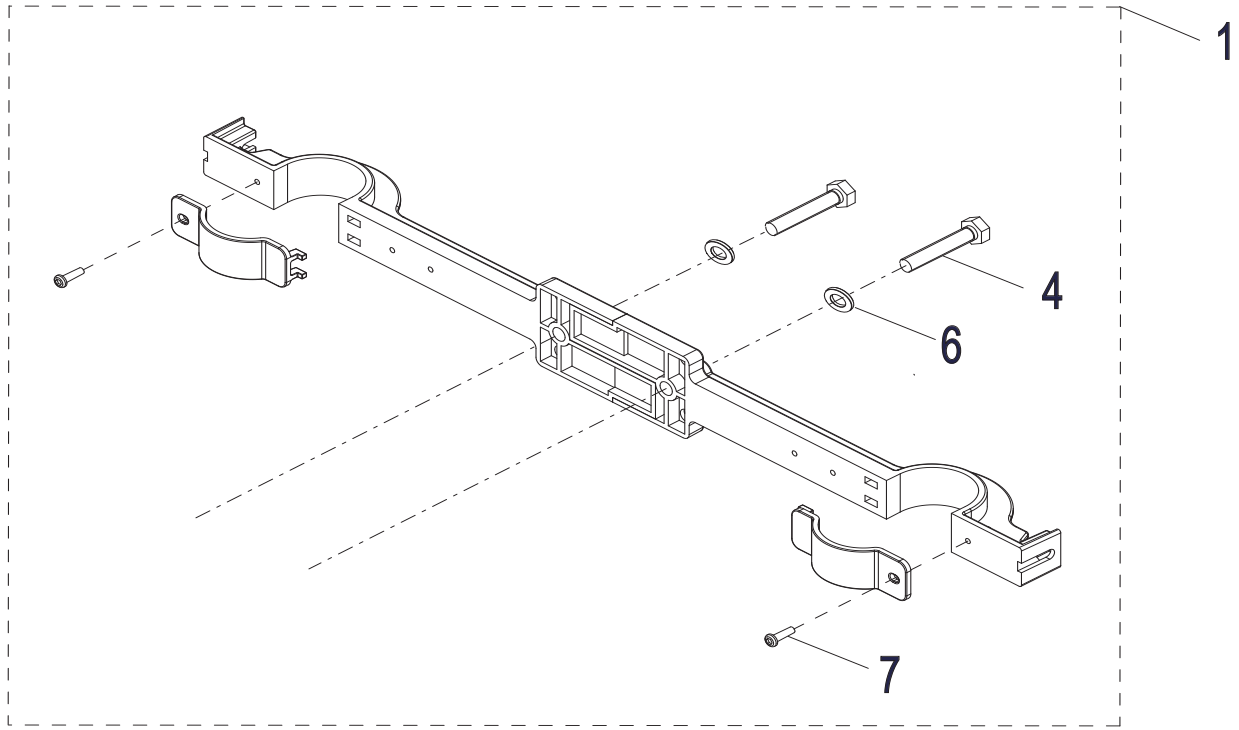


110008690

Pos./Ref.	Nr. No.	Description	Pegasus BW4	Hybrid BW4	Hybrid BW7	BF4	BF8
1	110001245	<b>Display complete</b>	1	1	1	1	1
2	110001463 <b>(110000574)</b>	<b>Screw kit</b>					
3	110001468	<b>Label kit</b>				1	1
4	110001469	<b>Frame complete</b>				1	
5	110001463 (0602045)	<b>Screw kit</b>					
6	110001463 (0602122)	<b>Screw kit</b>					
7	110001463 (156606)	<b>Screw kit</b>					
8	110001463 (0602094)	<b>Screw kit</b>					
9	110008688	<b>Frame complete</b>					1



# Pipe holder system

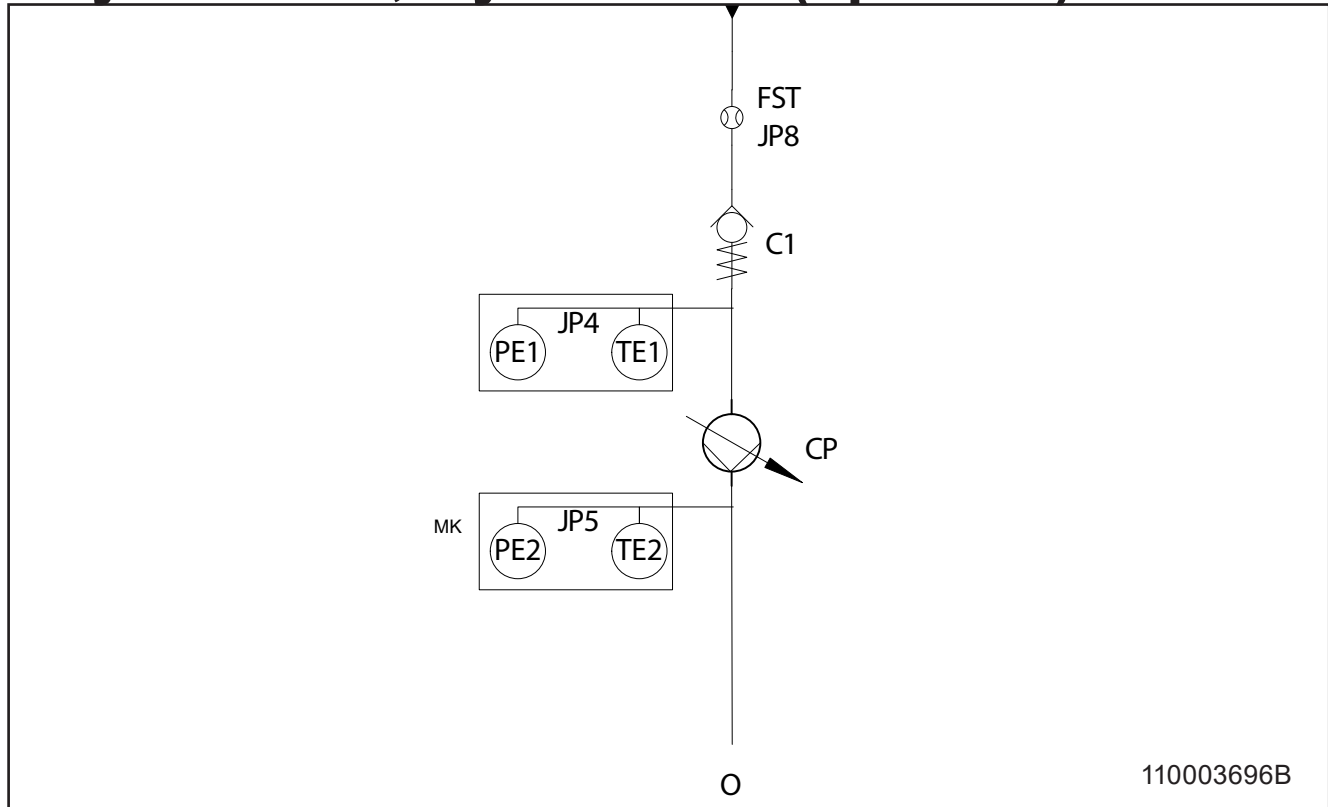


110003710

Pos./Ref.	Nr. No.	Description	Pegasus BW4	Hybrid BW4	Hybrid BW7	BF4	BF8
1	110000221	<b>Pipe rack complete</b>	1			1	
2	110000222	<b>Pipe rack complete</b>					1
3	110001463 (110000574)	<b>Screw kit</b>					
4	110001463 (156407)	<b>Screw kit</b>					
5	110001463 (156509)	<b>Screw kit</b>					
6	110003512 (156402)	<b>Screw kit</b>					
7	110003512 (110000574)	<b>Screw kit</b>					

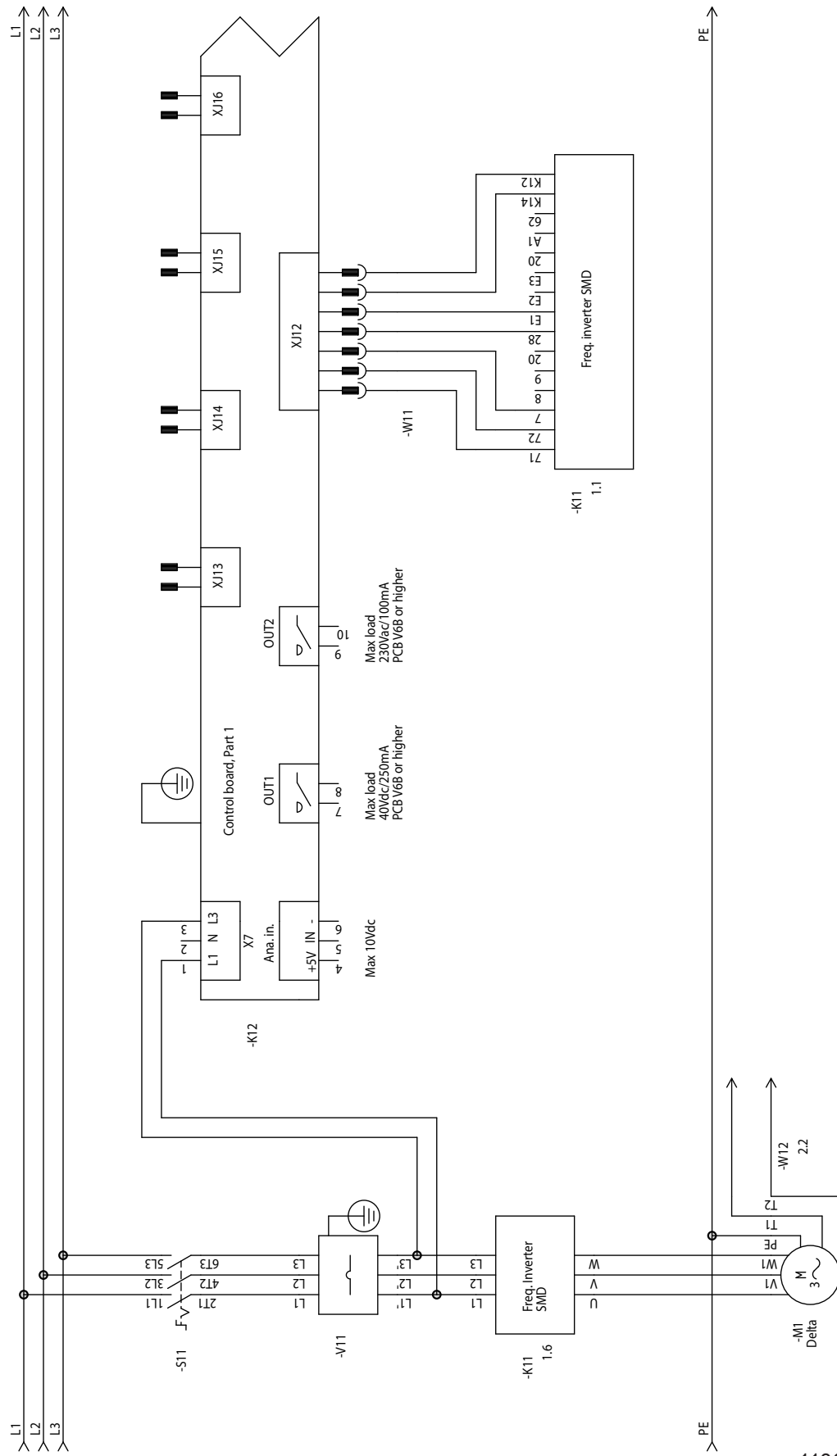
## Operating Diagrams

# Pegasus-BW4, Hybrid-BW4, Hybrid-BW7 Hybrid-BF4, Hybrid-BF8 (optional)



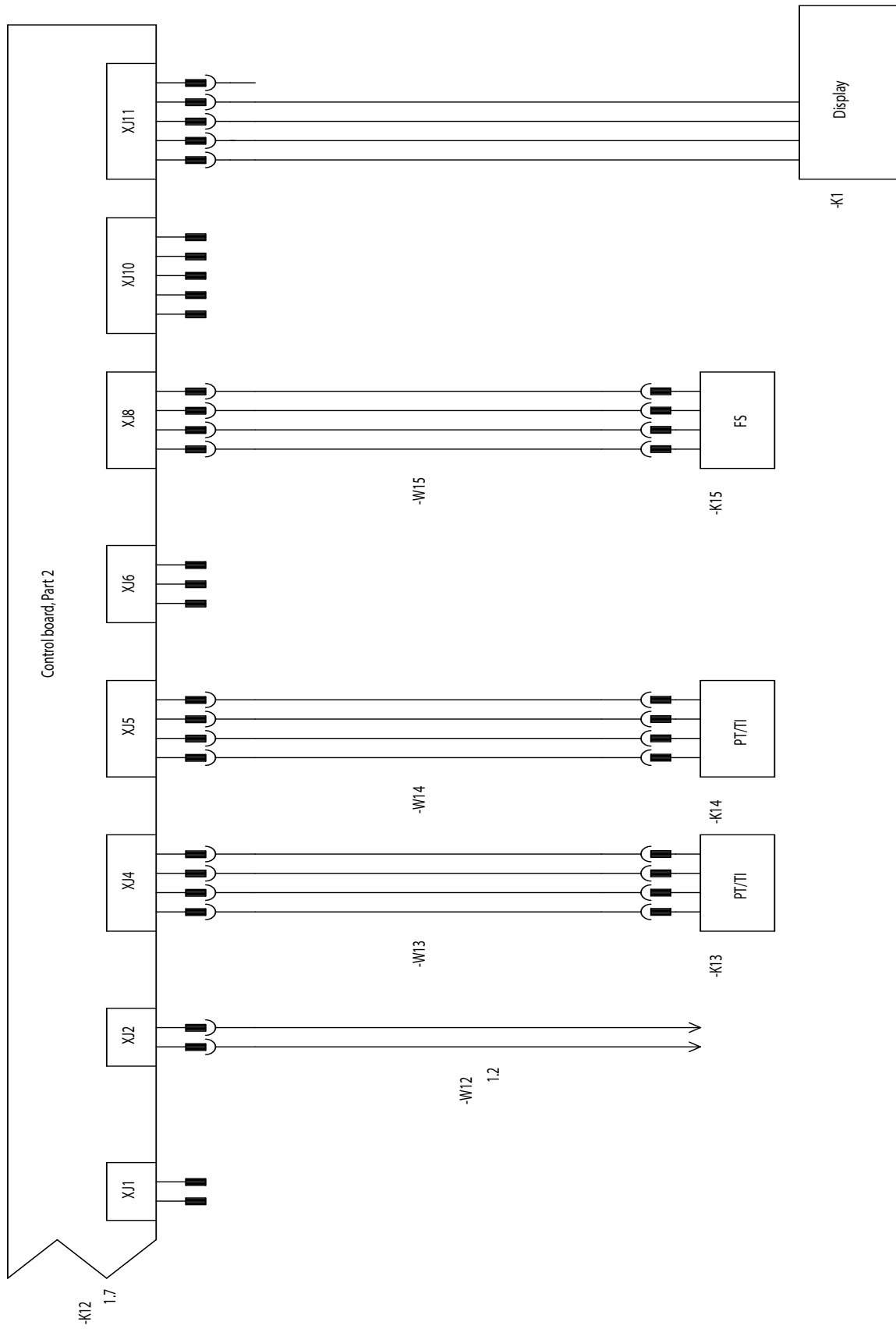
	English	Deutsch	Français	Español
C	Check valve	Rückschlagventil	Clapet anti-retour	Válvula de retención
CP	Centrifugal pump	Kreiselpumpe	Pompe centrifuge	Bomba centrífuga
FST	Flow sensor and -trigger	Durchflusssensor und-auslöser	Capteur de débit et de déclenchement	Sensor de caudal y de activación
JP	Controllerboard connection	Anschluss der Controllerplatte	Connexion Controller-board	Conexión de la placa del controlador
O	Outlet	Auslauf	Évacuation	Salida
PE	Pressure sensor	Drucksensor	Capteur de pression	Sensor de presión
TE	Temperature switch	Temperaturschalter	Interrupteur thermostatique	Interruptor de temperatura
W	Water inlet	Wassereinlauf	Entrée d'eau	Entrada de agua

# Electrical diagram

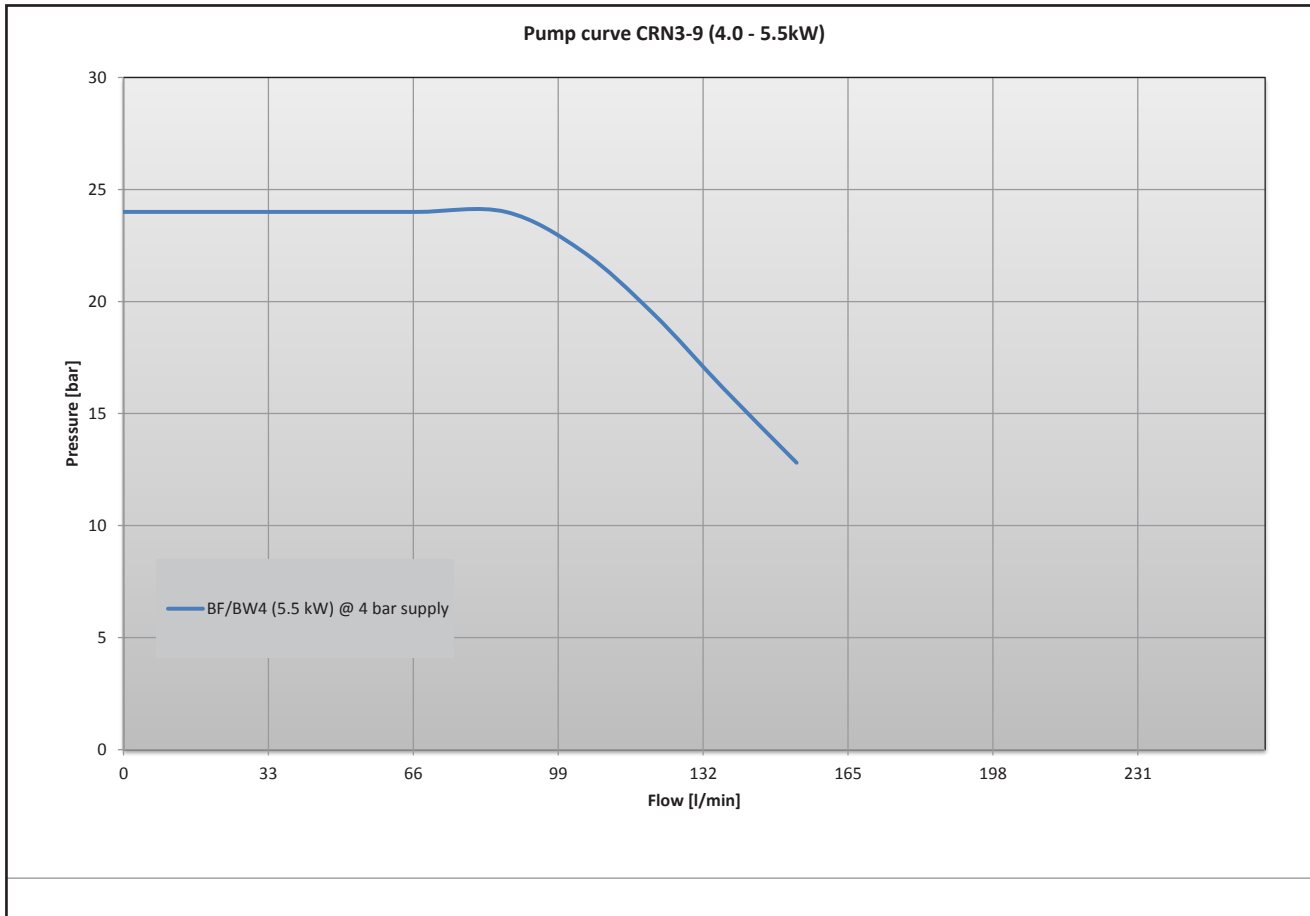


110003608-1

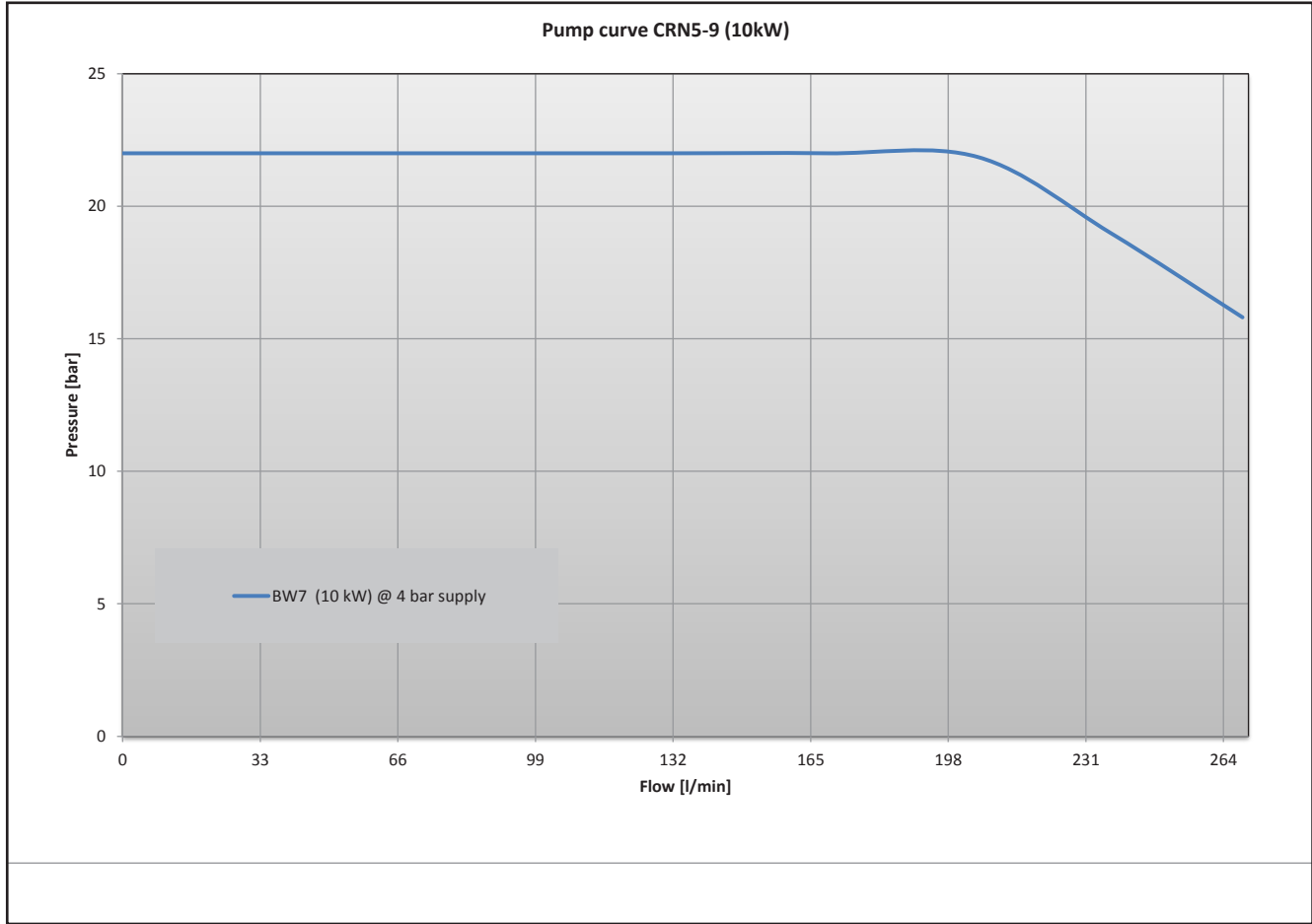
### Sensor diagram



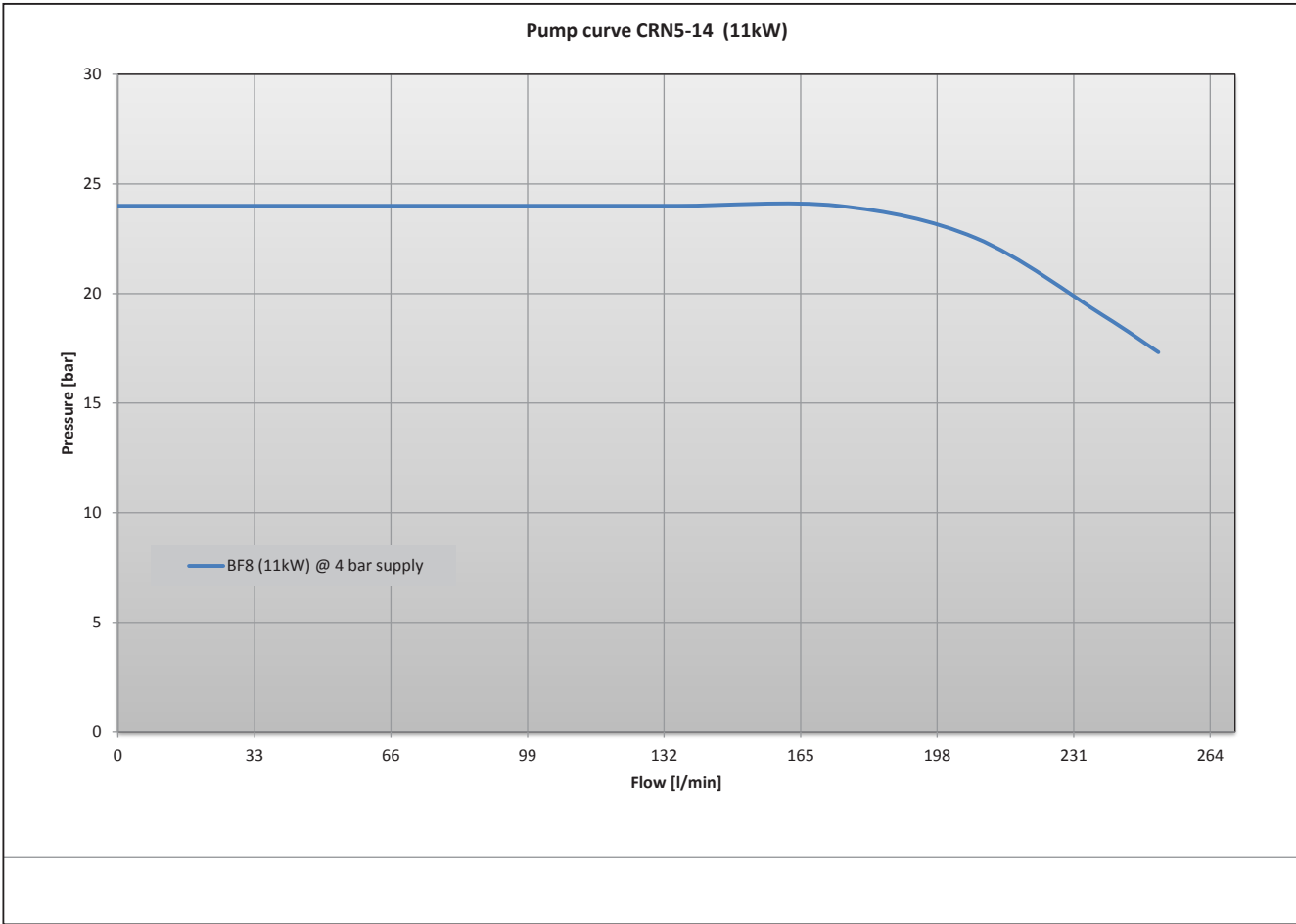
# Pump curve



110003038



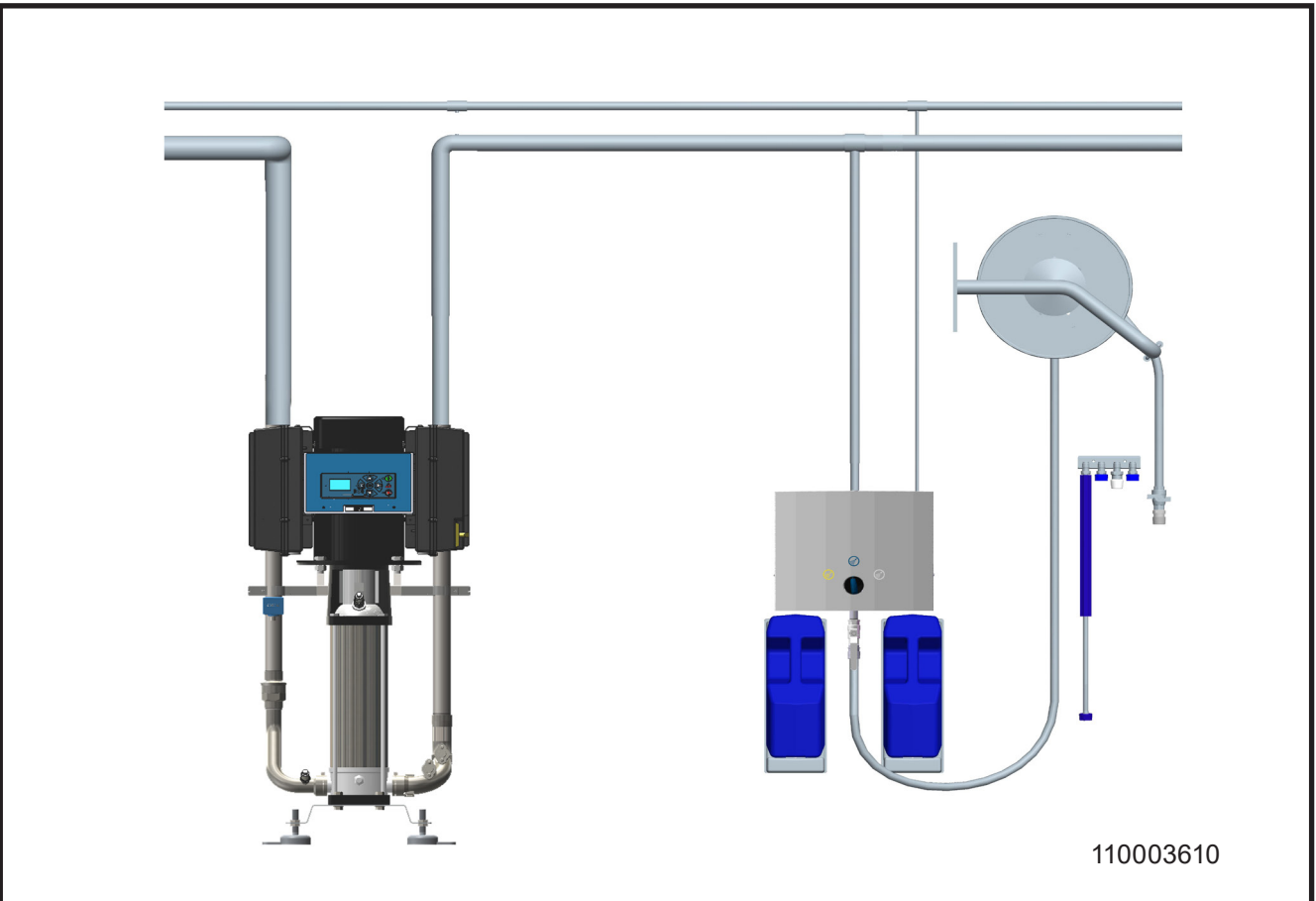
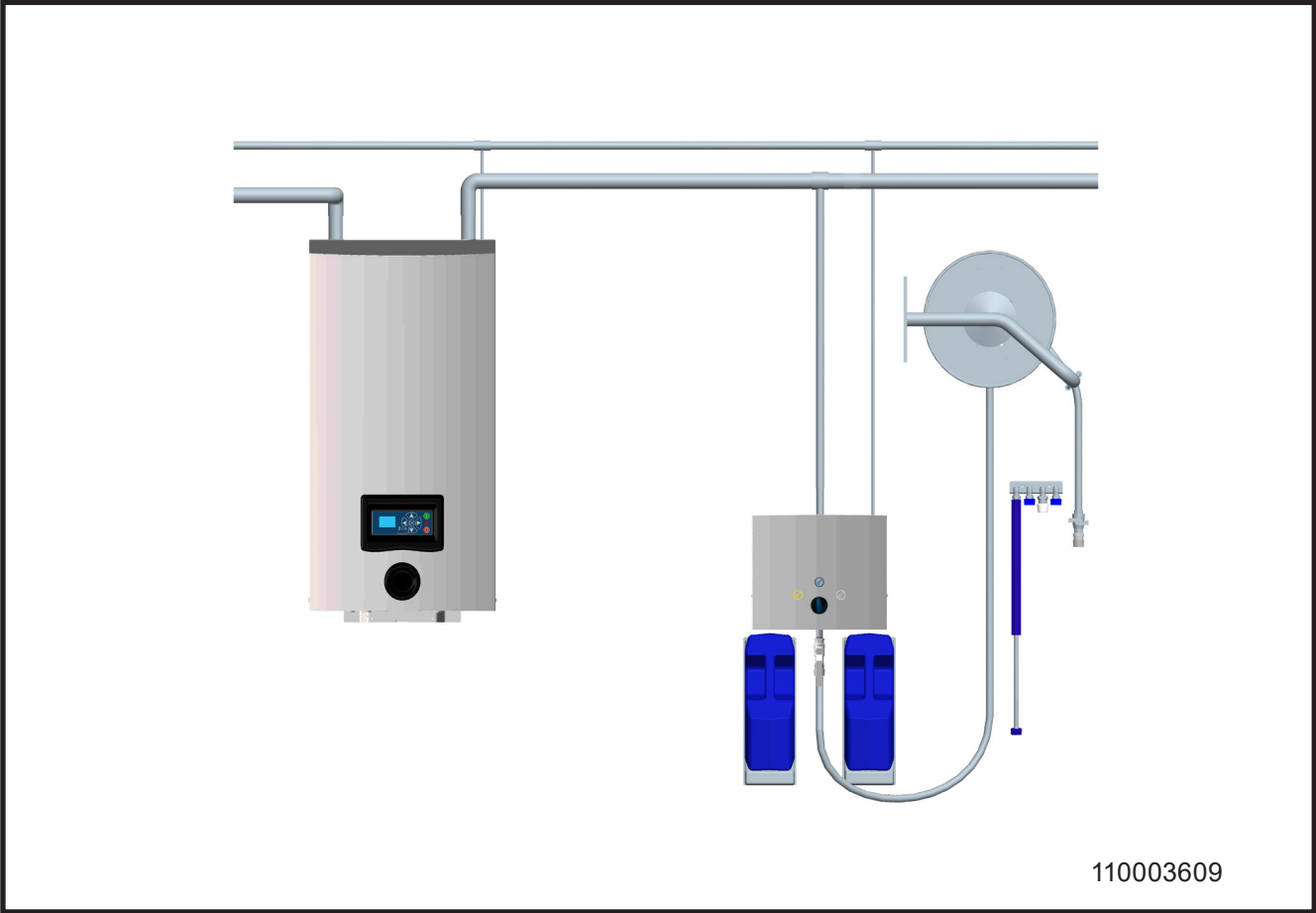
1100003038



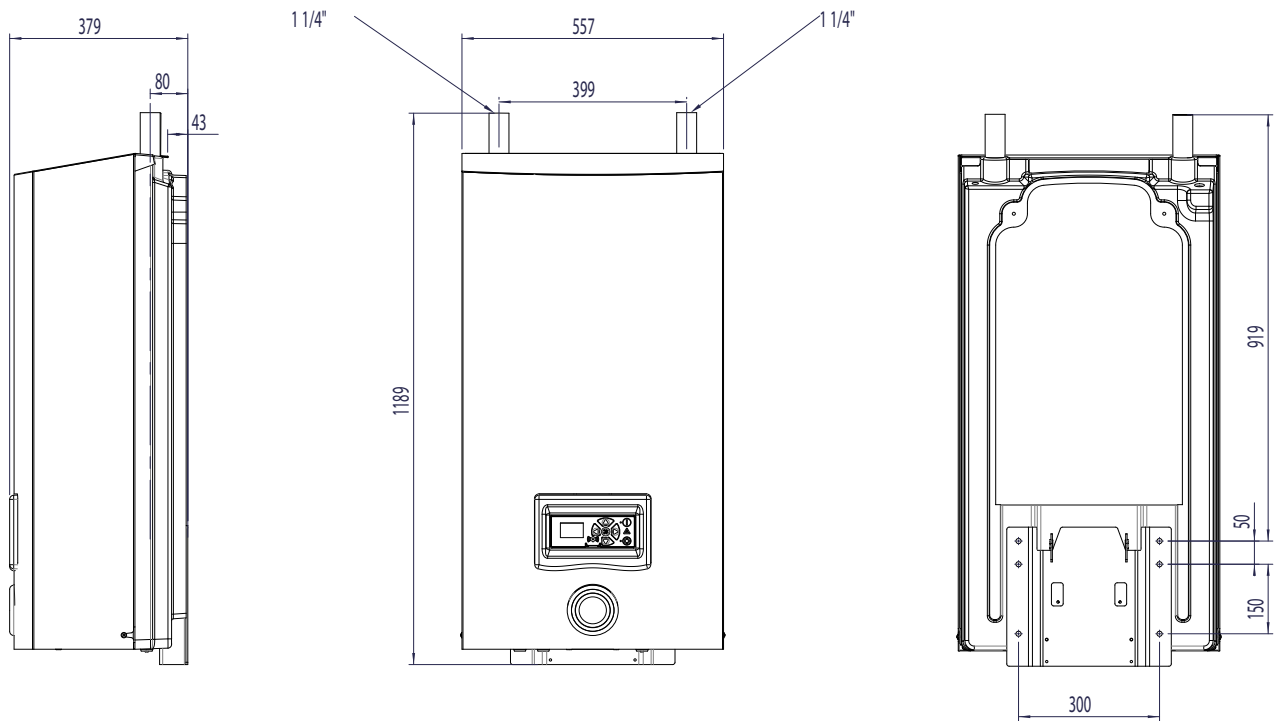
1100003038



# Installation

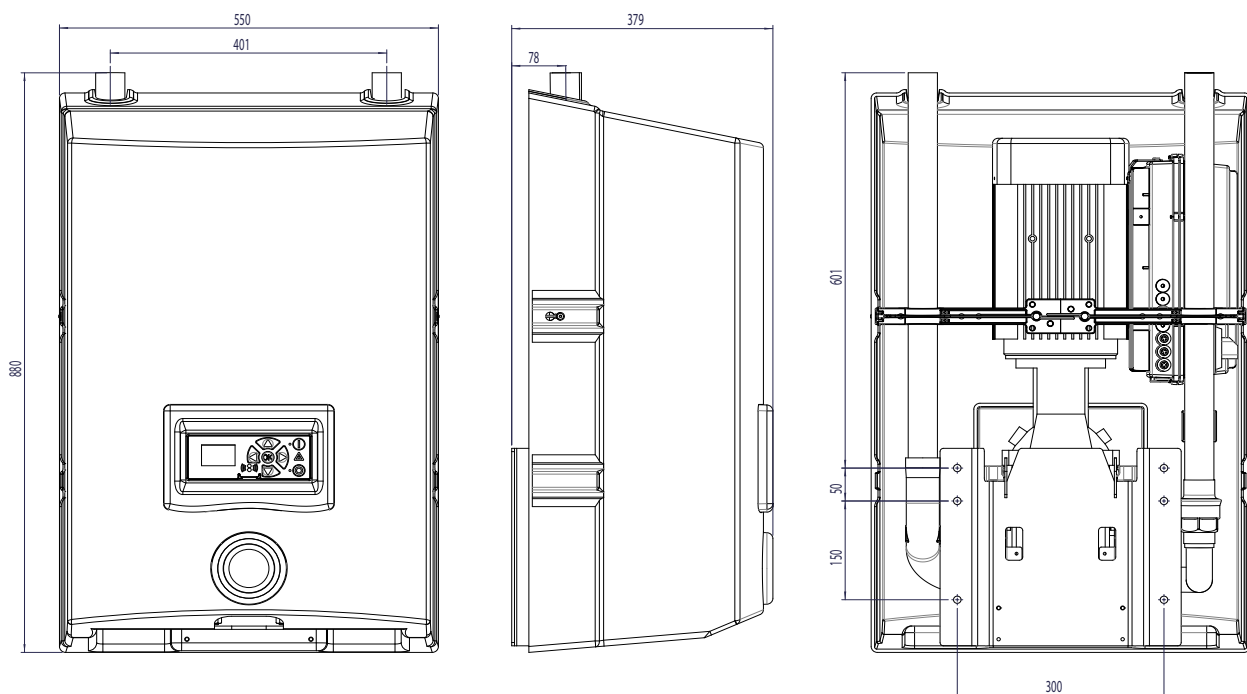


### Hybrid-BW4/7

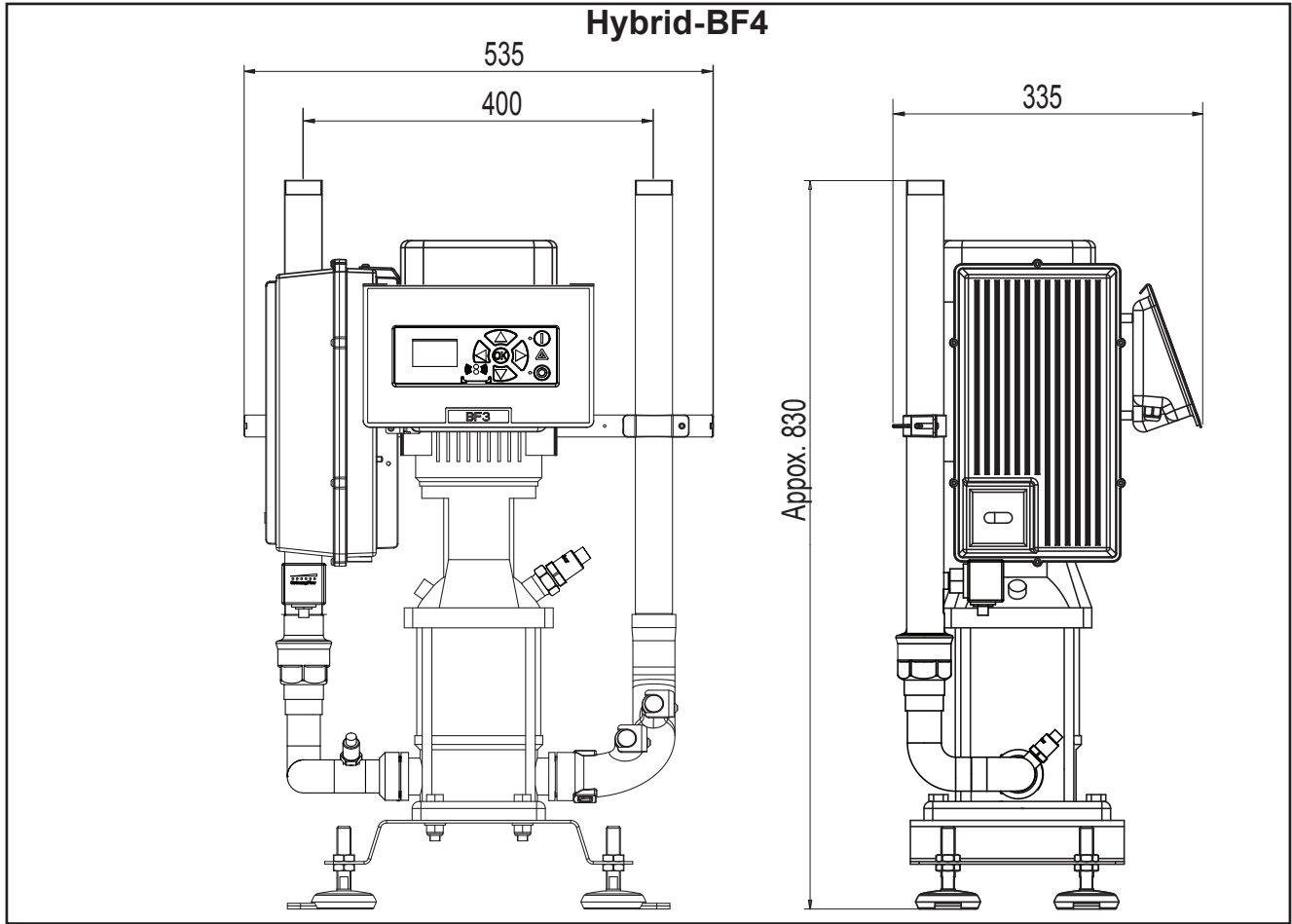
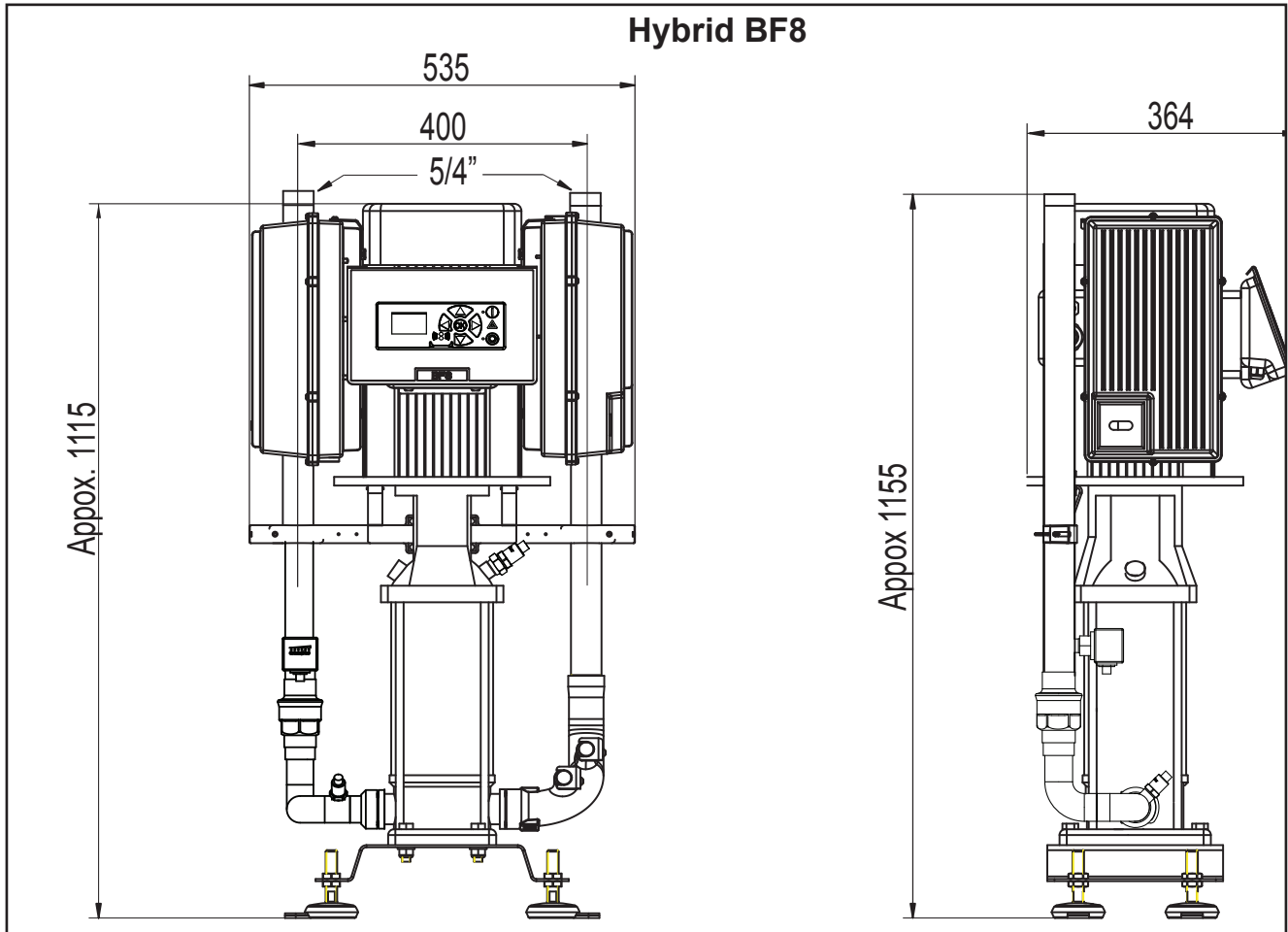


110003578

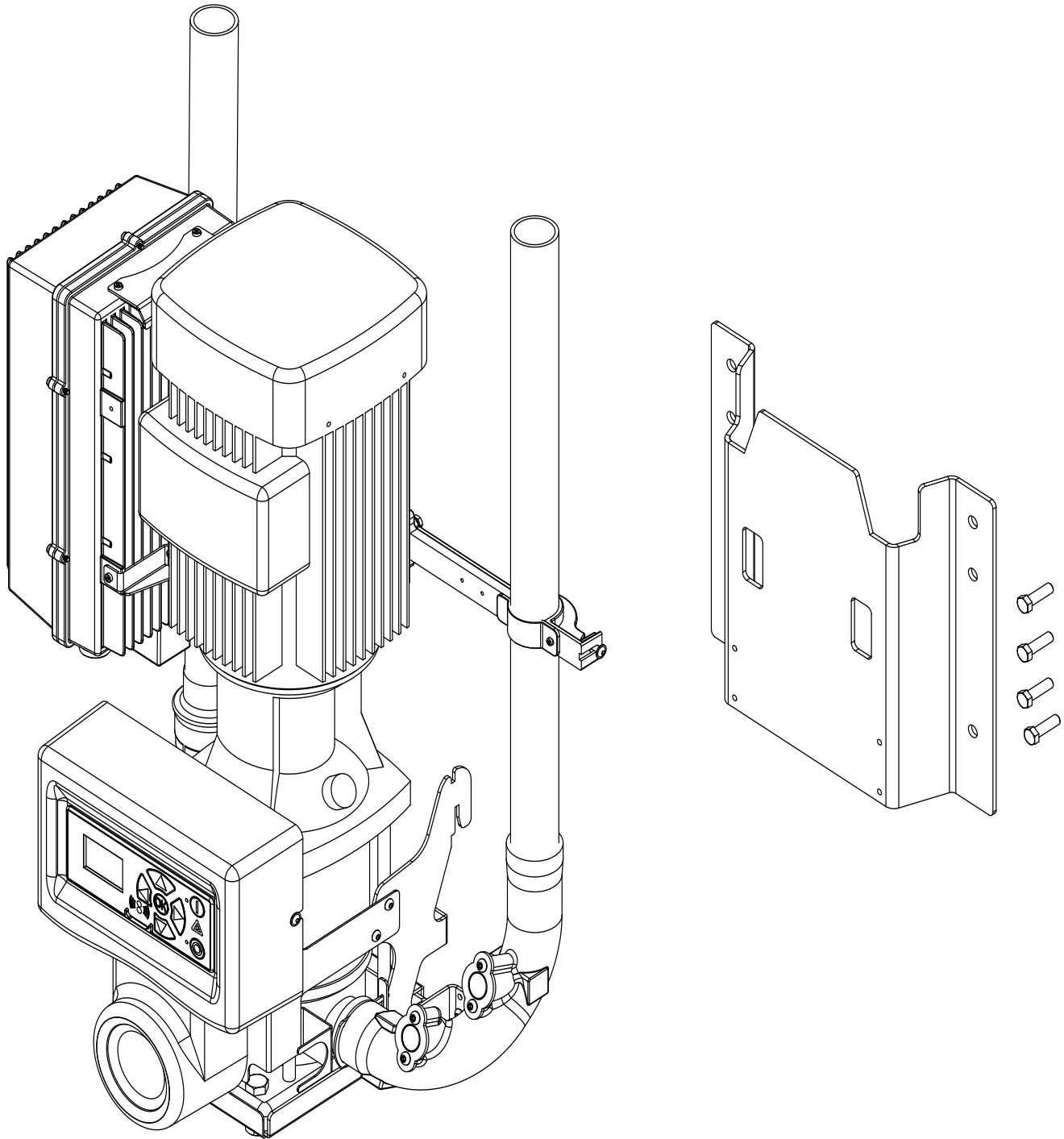
### Pegasus-BW4



110003579

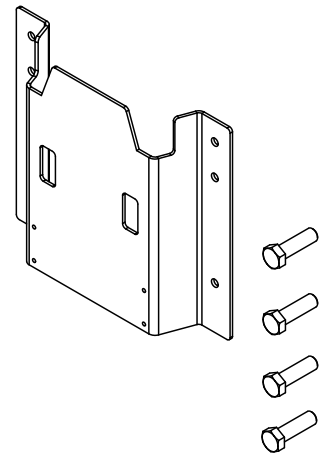
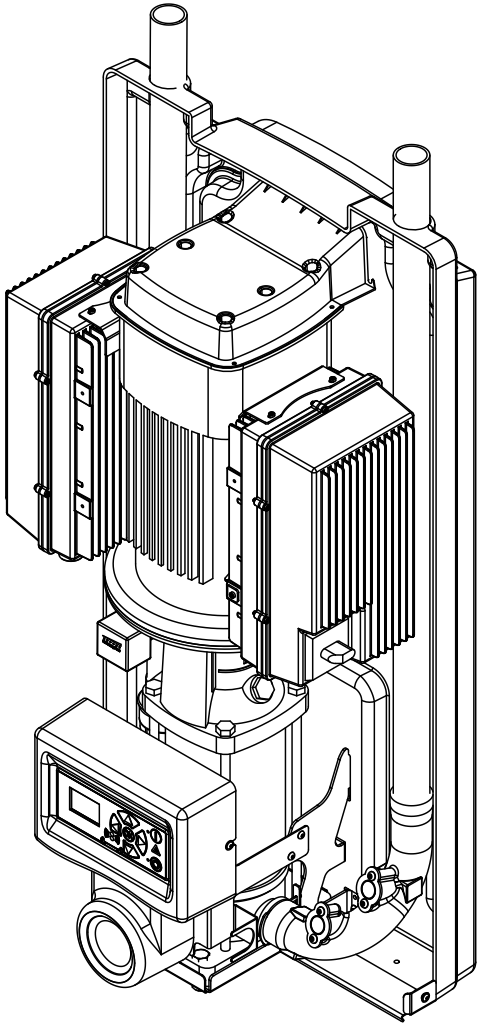


# Mounting -Pegasus BW4



110003580

# Mounting Hybrid BW4/7



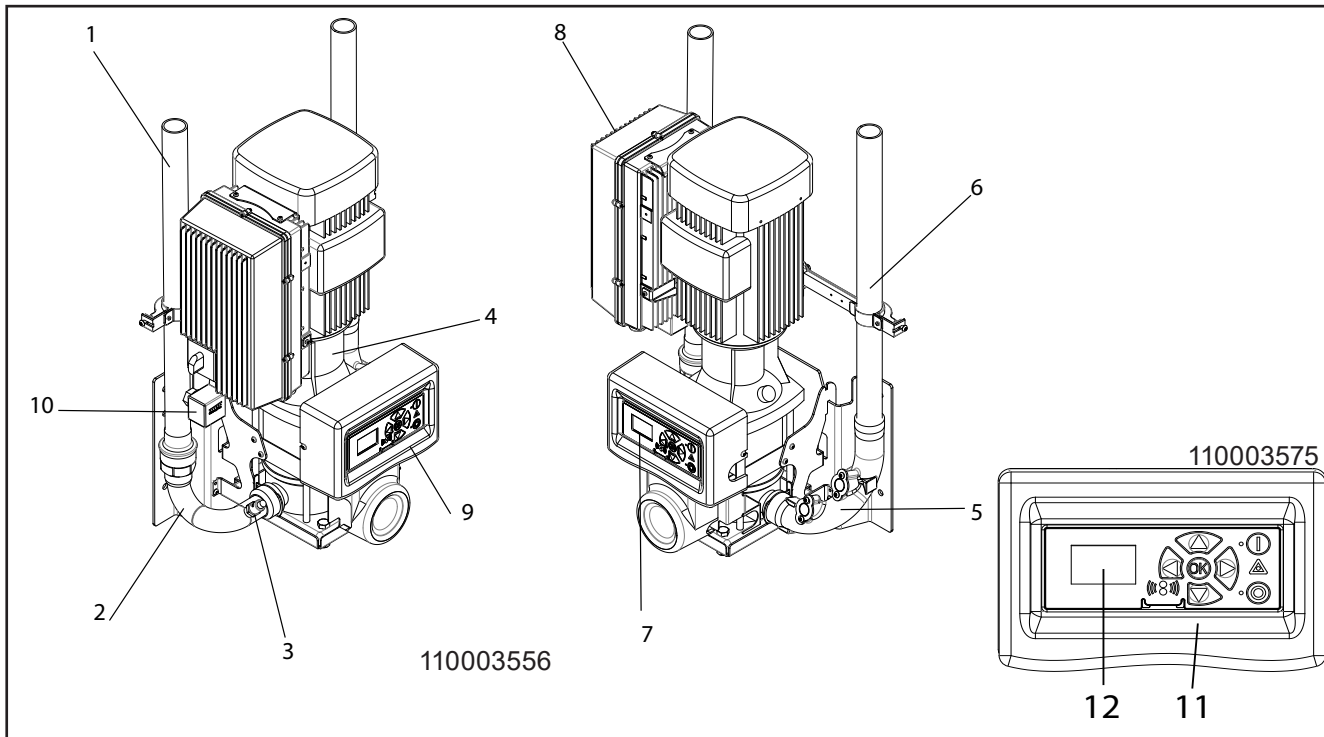
110003574



# Layout Pegasus

Pegasus-BW4

# Pegasus BW4



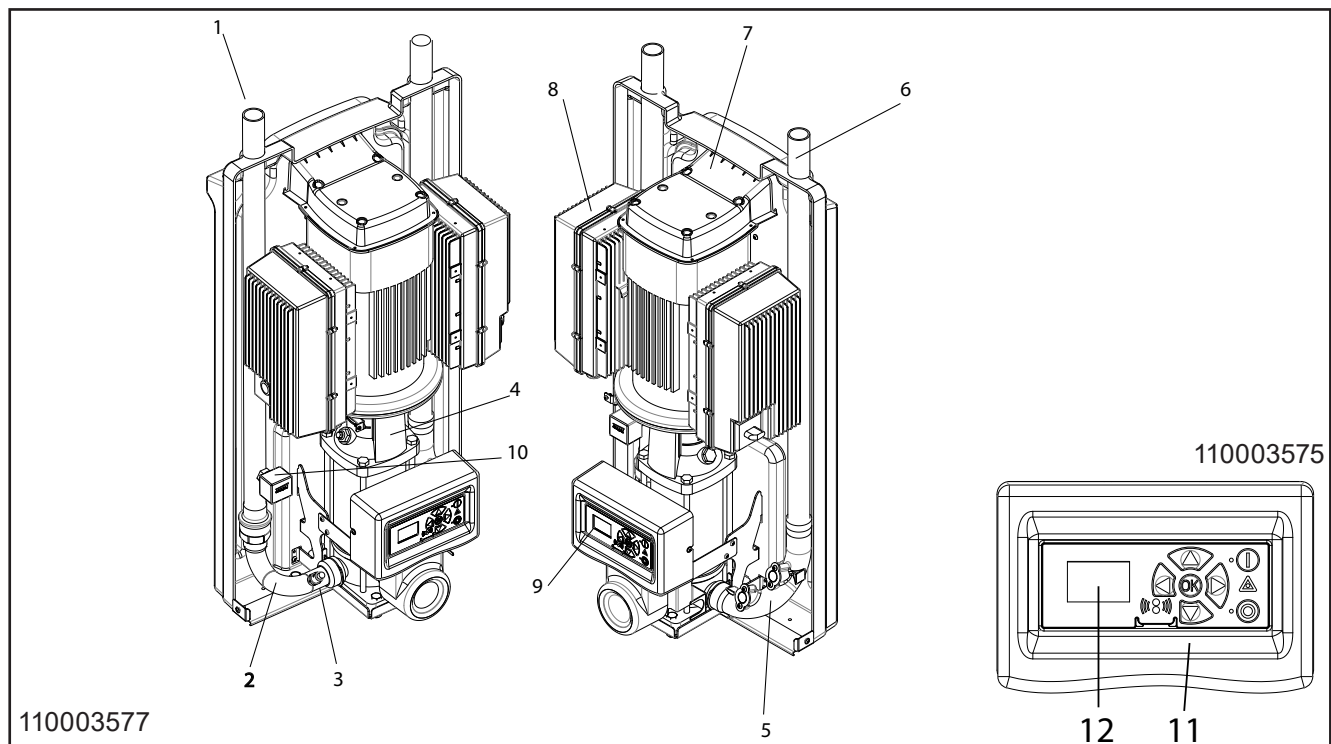
	English	German	French	Spanish
1	Water inlet	Wassereinlauf	Entrée d'eau	Entrada de agua
2	Inlet manifold	Einlaufverteiler	Collecteur entrée	Válvula de distribución de entrada
3	Pressure sensor	Drucksensor	Capteur de pression	Sensor de presión
4	Pump	Pumpe	Pompe	Bomba
5	Outlet manifold	Auslaufverteiler	Collecteur sortie	Válvula de distribución de salida
6	Outlet pipe	Auslaufrohr	Conduit sortie	Tubería de salida
7	Display	Display	Affichage	Visor
8	Controller	Regler	Contrôleur	Controlador
9	Operation panel	Bedientafel	Panneau de commande	Panel del operador
10	Flow switch	Durchflussschalter	Interrupteur de débit	Interruptor de caudal
11	Operation buttons (navigation)	Bedientasten (Navigation)	Boutons de commande (navigation)	Botones de operación (navegación)
12	Operation panel o: Push button stop l: Push button start Δ: Warning lamp	Bedientafel o: Drucktaste Stopp l: Drucktaste Start Δ: Warnlampe	Panneau de commande o : Bouton poussoir d'arrêt l: Bouton poussoir de démarrage Δ : Lampe d'avertissement	Panel del operador o: Botón de parada l: Botón de arranque Δ: Indicador lumínico de advertencia



# Layout Hybrid

Hybrid-BW4, Hybrid-BW7

## Hybrid BW4/BW7



	English	German	French	Spanish
1	Water inlet	Wassereinlauf	Entrée d'eau	Entrada de agua
2	Inlet manifold	Einlaufverteiler	Collecteur entrée	Válvula de distribución de entrada
3	Pressure sensor	Drucksensor	Capteur de pression	Sensor de presión
4	Pump	Pumpe	Pompe	Bomba
5	Outlet manifold	Auslaufverteiler	Collecteur sortie	Válvula de distribución de salida
6	Outlet pipe	Auslaufrohr	Conduit sortie	Tubería de salida
7	Air inlet - cold air intake	Lufteinlass - Kaltlufteinlass	Entrée d'air - prise d'air froid	Entrada de aire – toma de aire frío
8	Controller	Regler	Contrôleur	Controlador
9	Display	Display	Affichage	Visor
10	Flow switch	Durchflussschalter	Interrupteur de débit	Interruptor de caudal
11	Operation buttons (navigation)	Bedientasten (Navigation)	Boutons de commande (navigation)	Botones de operación (navegación)
12	Operation panel o: Push button stop I: Push button start Δ: Warning lamp	Bedientafel o: Drucktaste Stopp I: Drucktaste Start Δ: Warnlampe	Panneau de commande o : Bouton poussoir d'arrêt I: Bouton poussoir de démarrage Δ : Lampe d'avertissement	Panel del operador o: Botón de parada I: Botón de arranque Δ: Indicador lumínico de advertencia

Printed in Denmark

No.: 110003086P 03/2022  
Serial no: 105.01.000XXX

© 2015 All rights reserved

**ECOLAB®**