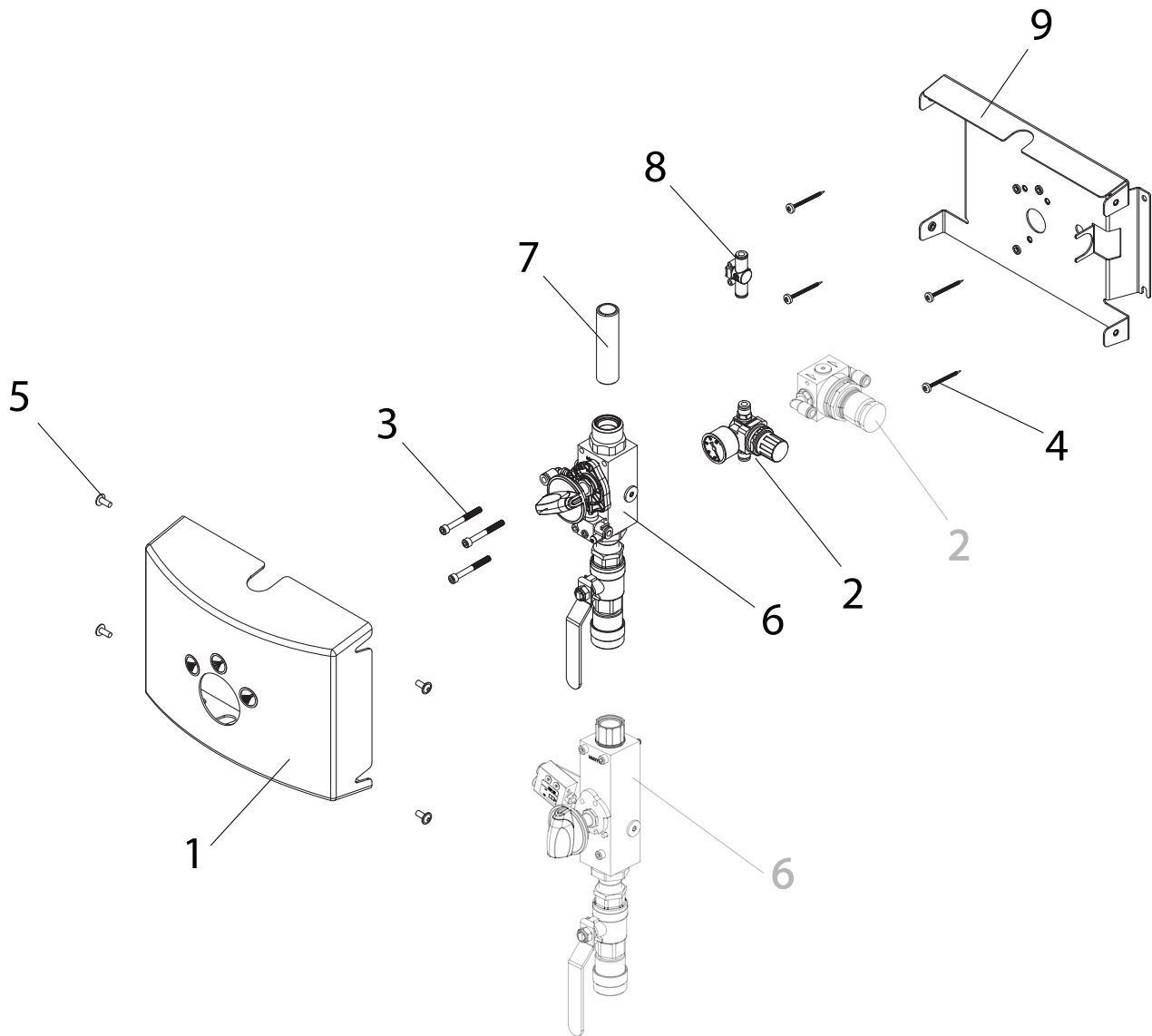


Recommended spare parts
Empfehlenswerte Ersatzteile
Pièces de rechange conseiées
Piezas de requesto recomendadas

SD



110005168B

Pos./Ref.	Nr. No.	Description Beschreibung Désignation Designación	SD21	SD22
1	110003264	Cover steel		
1	110003303	Cover ABS	1	1
1	110003264	Operation label	1	1
1	0611240	Label	1	1
2	110000880	Regulation unit, air Serial no.: → 108.01.000XXX		
2	110008735	Regulation unit, air Serial no.: 161.01.000XXX→	1	1
3	110003277 (110000526)	Screw kit		
4	110003277 (0607929)	Screw kit		
5	110003277 (110000847)	Screw kit		
6		Block, see page 68 → 108.01.000XXX		
6		Block see page 70 Serial no.: 161.01.000XXX→	1	1
7	110005029	Pipe	1	1
8	0608135	Air non return valve	1	1
9	110003260	Back plate Serial no.: → 108.01.000XXX		
9	110008597	Back plate Serial no.: 161.01.000XXX→	1	1

English (EN)

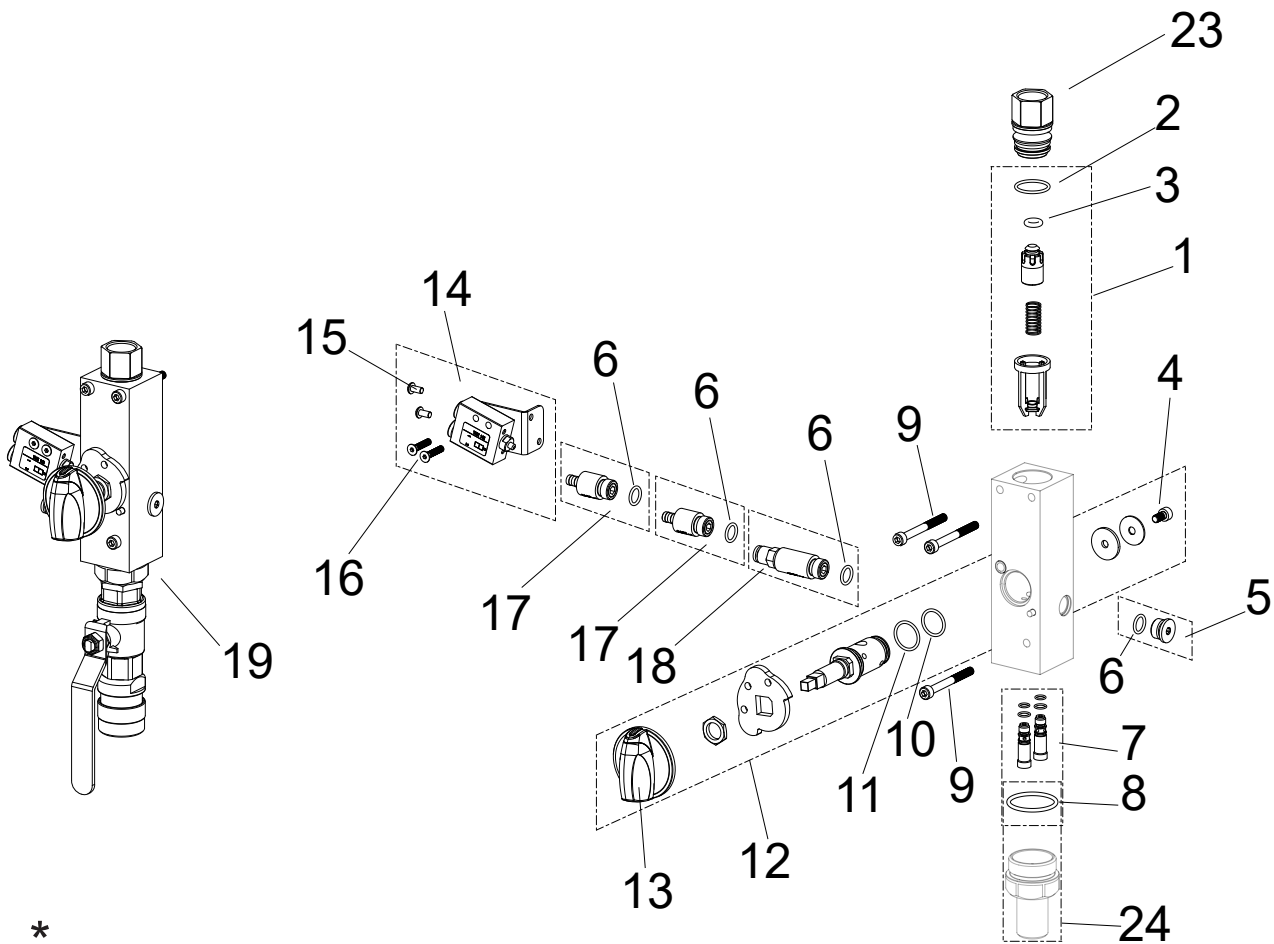
Deutsch (DE)

Français (FR)

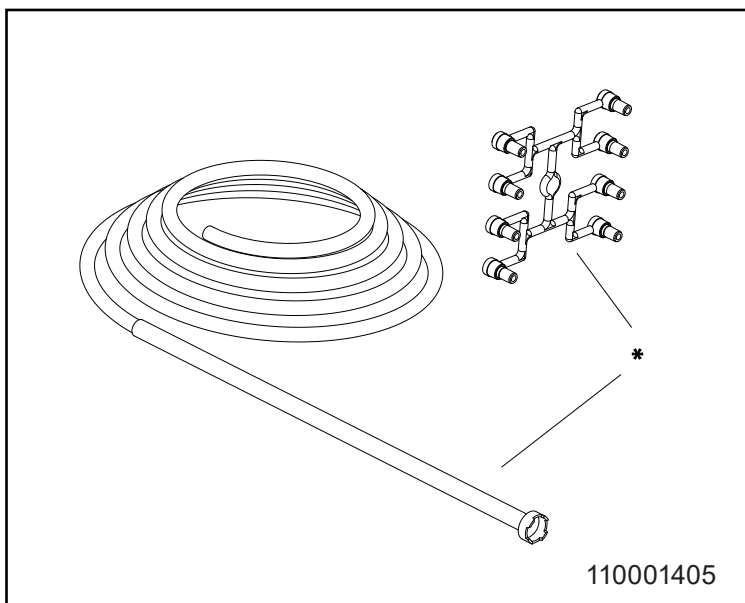
Español (ES)

Block complete

Serial no.: → 108.01.000XXX



*



110001405

110003274

Pos./Ref.	Nr. No.	Description Beschreibung Désignation Designación	SD21	SD22
1	110003279	Water non return valve complete	1	1
2	110003276 (0600078)	O-ring kit		
3	110003276 (110002785)	O-ring kit		
4	110003277 (0600009)	Screw kit		
5	110002306	Plug incl O-ring	1	1
6	110003276 (110002952)	O-ring kit		
7	110003283	Injector kit		
8	110003276 (110000038)	O-ring kit		
9	110003277 (110000526)	Screw kit		
10	110003276 (110002508)	O-ring kit		
11	110003276 (350108)	O-ring kit		
12	110003281	Axle for block Complete	1	-
12	110003401	Axle for block Complete	-	1
13	909100214	Operation button	1	1
14	110003282	Air regulation valve complete	1	1
15	110003277 (0602021)	Screw kit		
16	110003277 (110000525)	Screw kit		
17	110001102	Chemical non return valve	2	2
18	110001979	Air non return valve complete	1	1
19	110003278	Block complete	1	-
19	110003405	Block complete	-	1
20	110003682	Outlet Coupling complete		
21	110003276 641101	O-ring kit		
22	110003276 641102	O-ring kit		
23	110003084	Fitting for non return valve	1	1
24	110006214	Hexagon nipple complete		
*	110001214 110001197 110001198 110001199 0646105	Chemical hose (blue) Chemical hose (yellow) Chemical hose (red) Chemical hose (green) Chemical limiting nozzle		

English (EN)

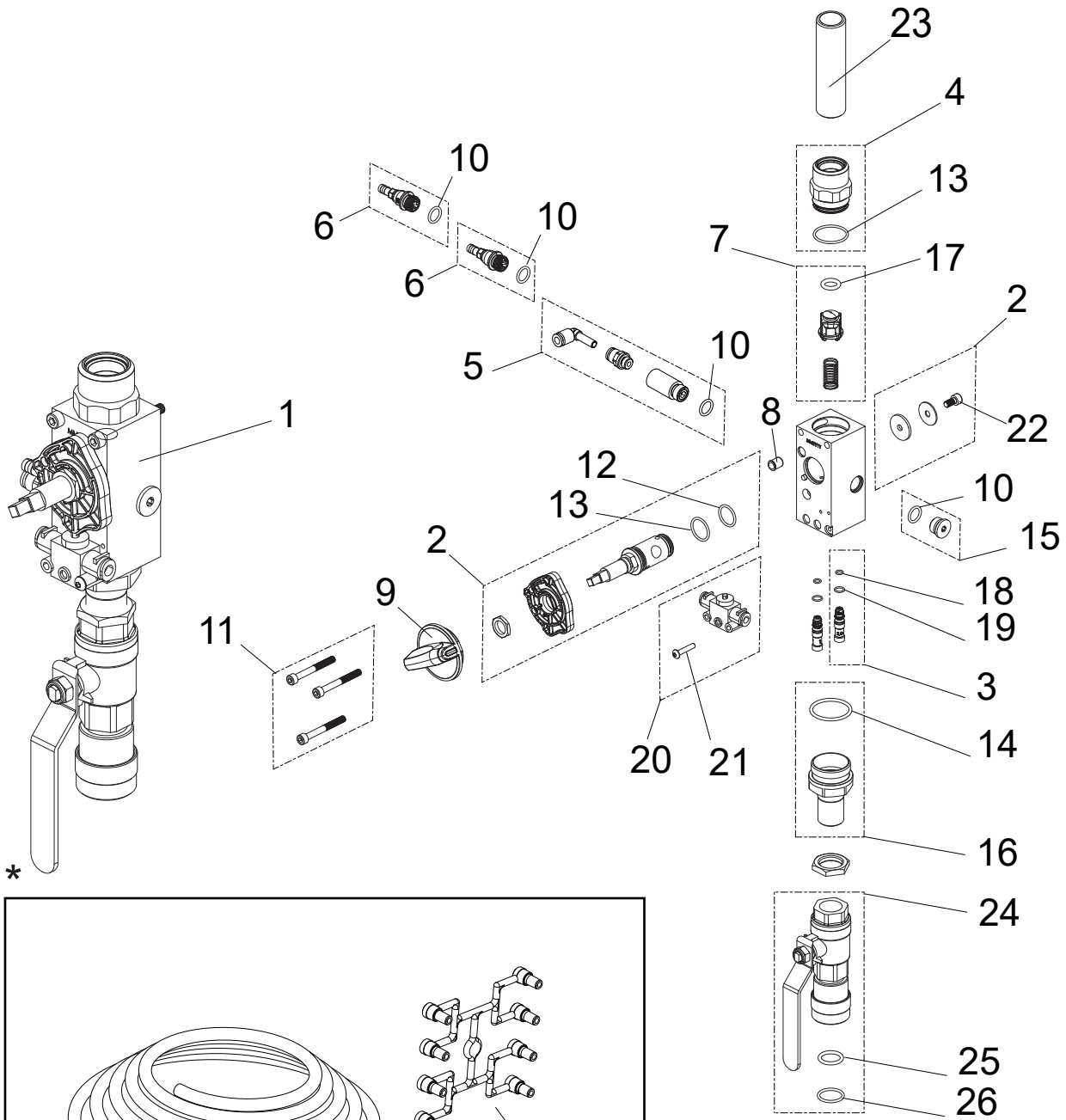
Deutsch (DE)

Français (FR)

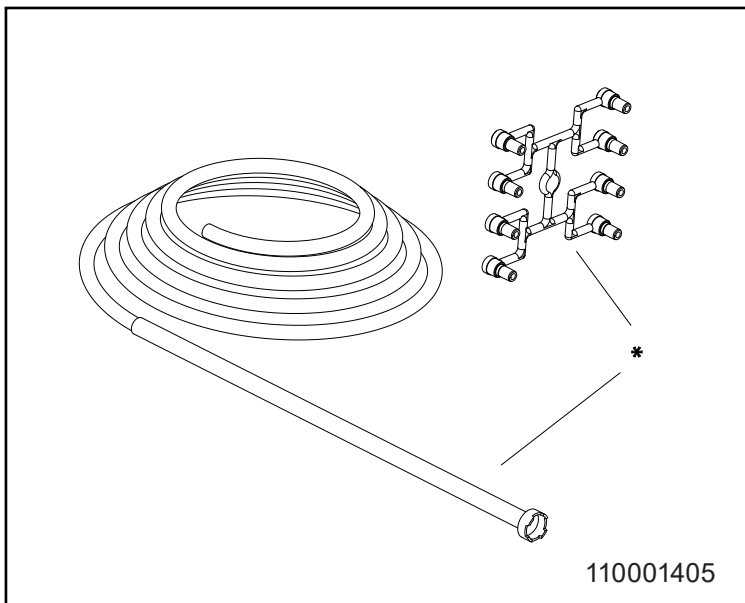
Español (ES)

Block complete

Serial no.: 161.01.000XXX →



*



110001405

110008814-Pegasus SD

Pos./Ref.	Nr. No.	Description Beschreibung Désignation Designación		
			SD21	SD22
1	110008802	Block complete	1	
1	110008803	Block complete		1
2	110007101	Axle complete	1	
2	110008777	Axle complete		1
3	110007098	Injector kit	1	1
4	110008767	Inlet connection kit	1	1
5	110007136	Air non return valve with fitting	1	1
6	110004434	Plast chemical non return valve	2	2
7	110008772	Water non return valve	1	1
8	110002392	Flexible pressure piece	1	1
9	909100249	Selector knob	1	1
10	110003278 (110002952)	O-ring kit		
11	110003277 (110002508)	Screw kit		
12	110003276 (110002508)	O-Ring kit		
13	110003276 (350108)	O-Ring kit		
14	110003276 (110000038)	O-Ring kit		
15	110002306	Plug	1	1
16	110006214	Outlet	1	1
17	110003277 (110008303)	Screw kit		
18	110003276 (110004888)	O-ring kit		
19	110003276 (110004887)	O-ring kit		
20	110008923	Air valve complete	1	1
21	110003277 (110003408)	Screw kit		
22	110003277 (0600009)	Screw kit		
23	110005029	Pipe	1	1
24	110005460	Outlet	1	1
25	110003276 (641101)	O-ring kit		
26	110003276 (641102)	O-ring kit		
*	110001214 110001197 110001198 110001199 0646105	Chemical hose (blue) Chemical hose (yellow) Chemical hose (red) Chemical hose (green) Chemical limiting nozzle		

English (EN)

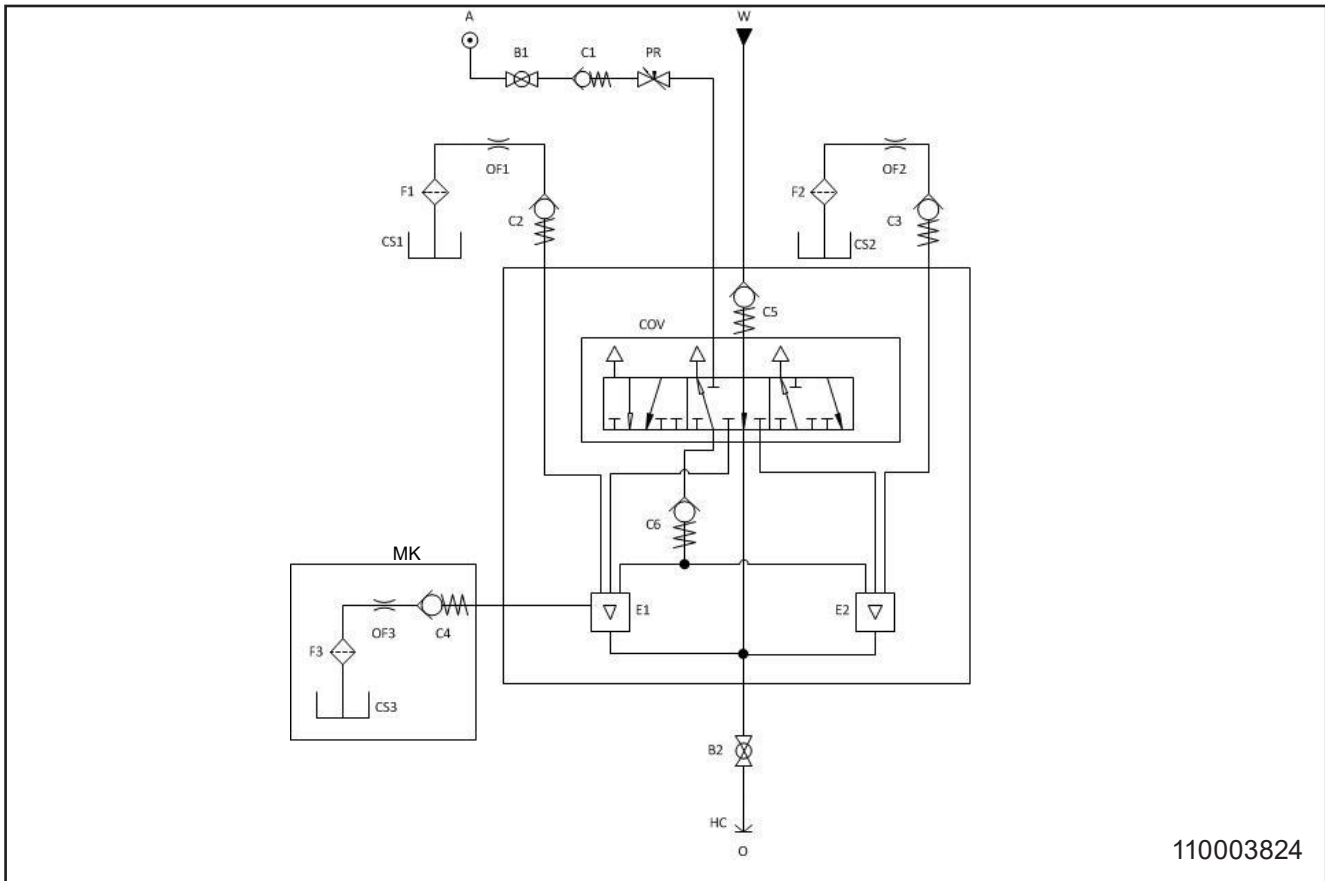
Deutsch (DE)

Français (FR)

Español (ES)

Operating Diagrams

SD21 / MK (Optional)

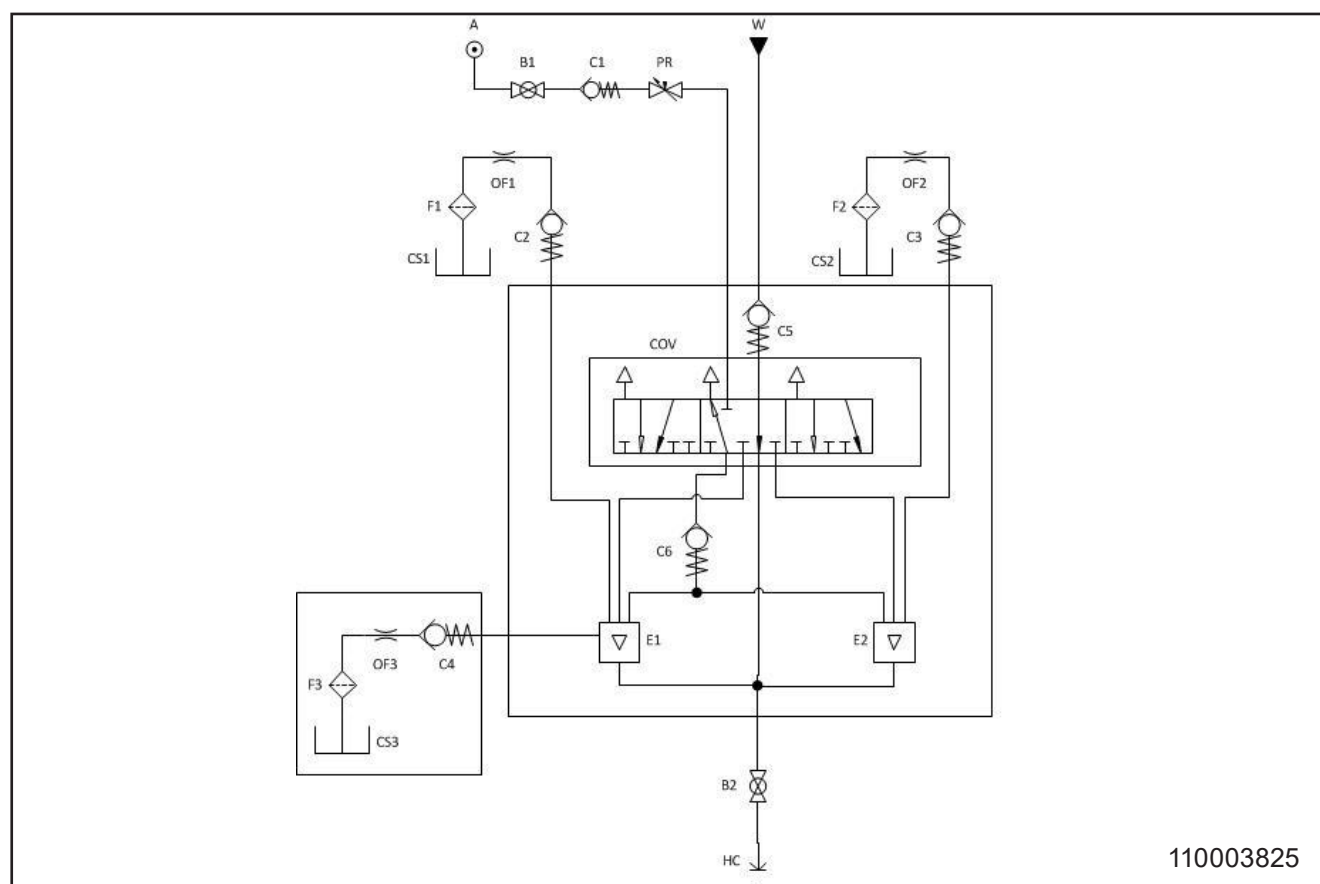


110003824

	English	Deutsch	Français	Español
A	Air supply	Lufteingang	Alimentation air	Suministro de aire
B	Ball valve	Kugelventil	Clapet à bille	Válvula esférica
C	Check valve	Contraventil	Soupape de non retour	Válvula de retención
COV	Change over valve	Umschaltventil	Robinet coupleur	Válvula de conmutación
CS	Chemical supply	Chemische Versorgung	Fourniture de produits chimiques	Toma de suministro de productos químicos
E	Ejector	Ausstoß	Ejecteur	Eyector
F	Filter	Filter	Filtre	Filtro
HC	Hose connection	Schlangenverbindung	Connexion flexible	Conexión de tubo flexible
O	Outlet	Ausgang	Sortie	Salida
OF	Orifice	Blende	Orifice	Orificio
PR	Pressure regulator	Druckregler	Régulateur de pression	Régulador de presión
W	Water inlet	Wassereinlassrohr	Admission d'eau	Toma de agua

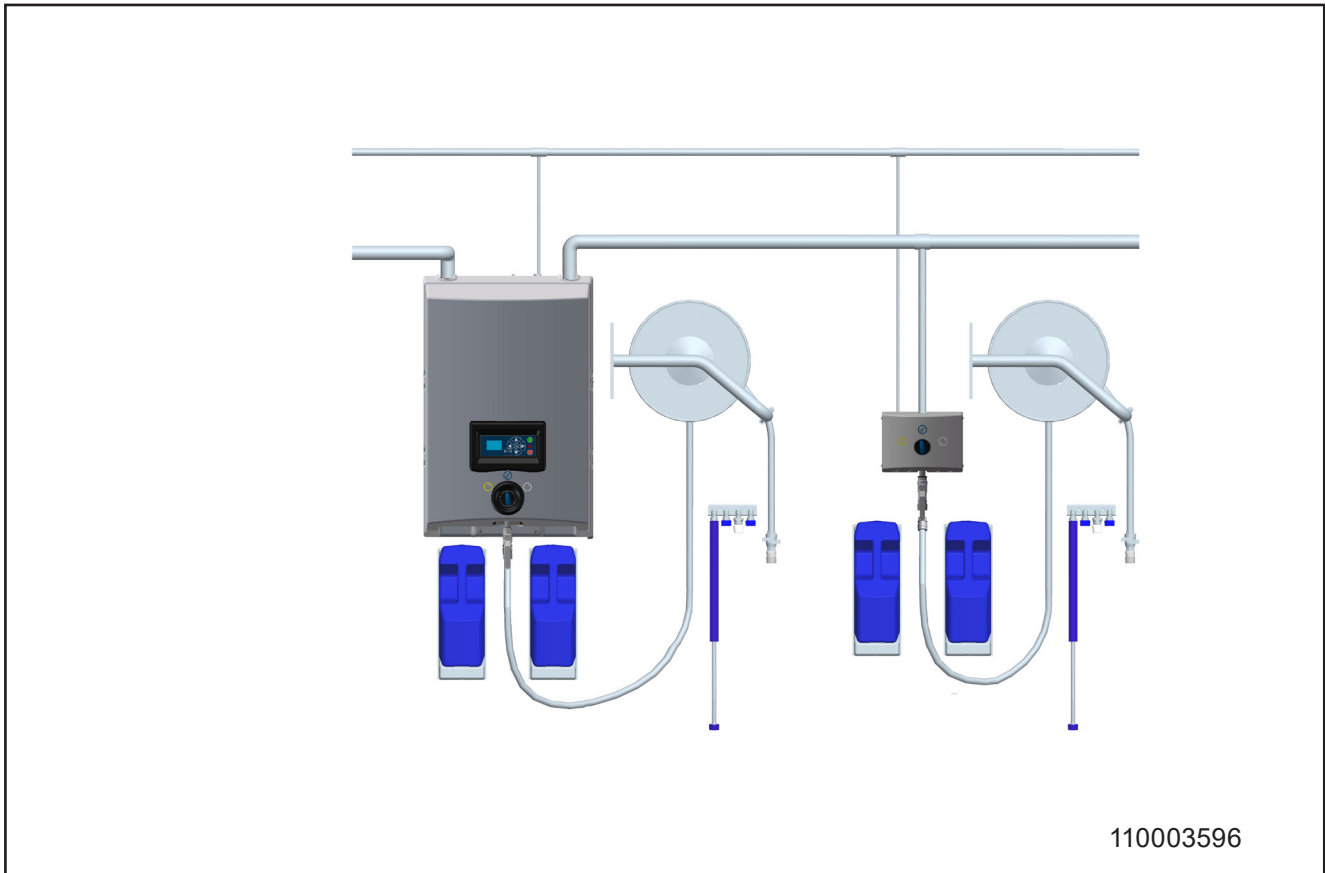
Operating Diagrams

SD22 / MK (Optional)

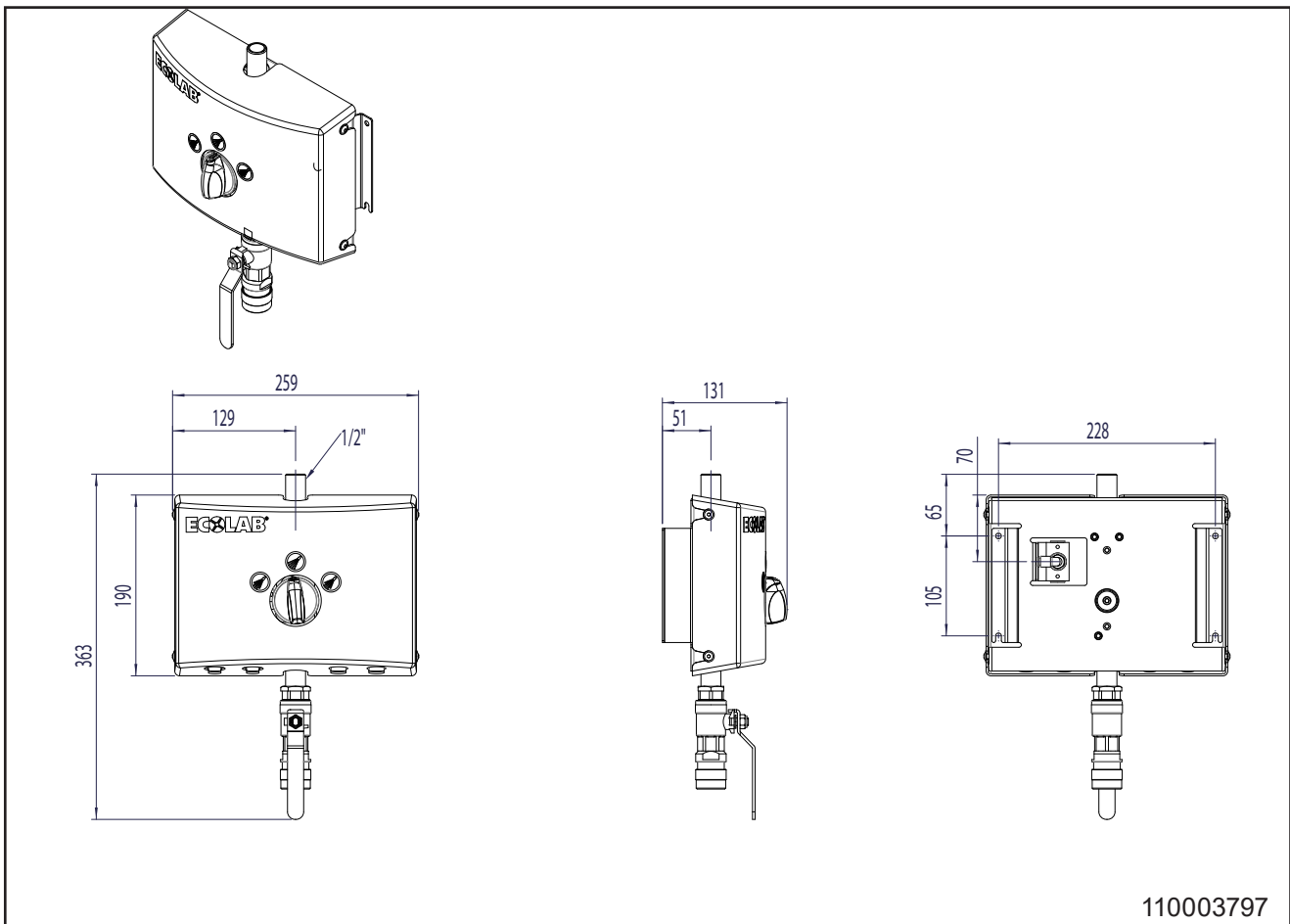


	English	Deutsch	Français	Español
A	Air supply	Lufteingang	Alimentation air	Suministro de aire
B	Ball valve	Kugelventil	Clapet à bille	Válvula esférica
C	Check valve	Contraventil	Soupape de non retour	Válvula de retención
COV	Change over valve	Umschaltventil	Robinet coupleur	Válvula de conmutación
CS	Chemical supply	Chemische Versorgung	Fourniture de produits chimiques	Toma de suministro de productos químicos
E	Ejector	Ausstoß	Ejecteur	Eyector
F	Filter	Filter	Filtre	Filtro
HC	Hose connection	Schlangenverbindung	Connexion flexible	Conexión de tubo flexible
O	Outlet	Ausgang	Sortie	Salida
OF	Orifice	Blende	Orifice	Orificio
PR	Pressure regulator	Druckregler	Régulateur de pression	Régulador de presión
W	Water inlet	Wassereinlassrohr	Admission d'eau	Toma de agua

Installation



110003596



110003797

Layout Hybrid SD

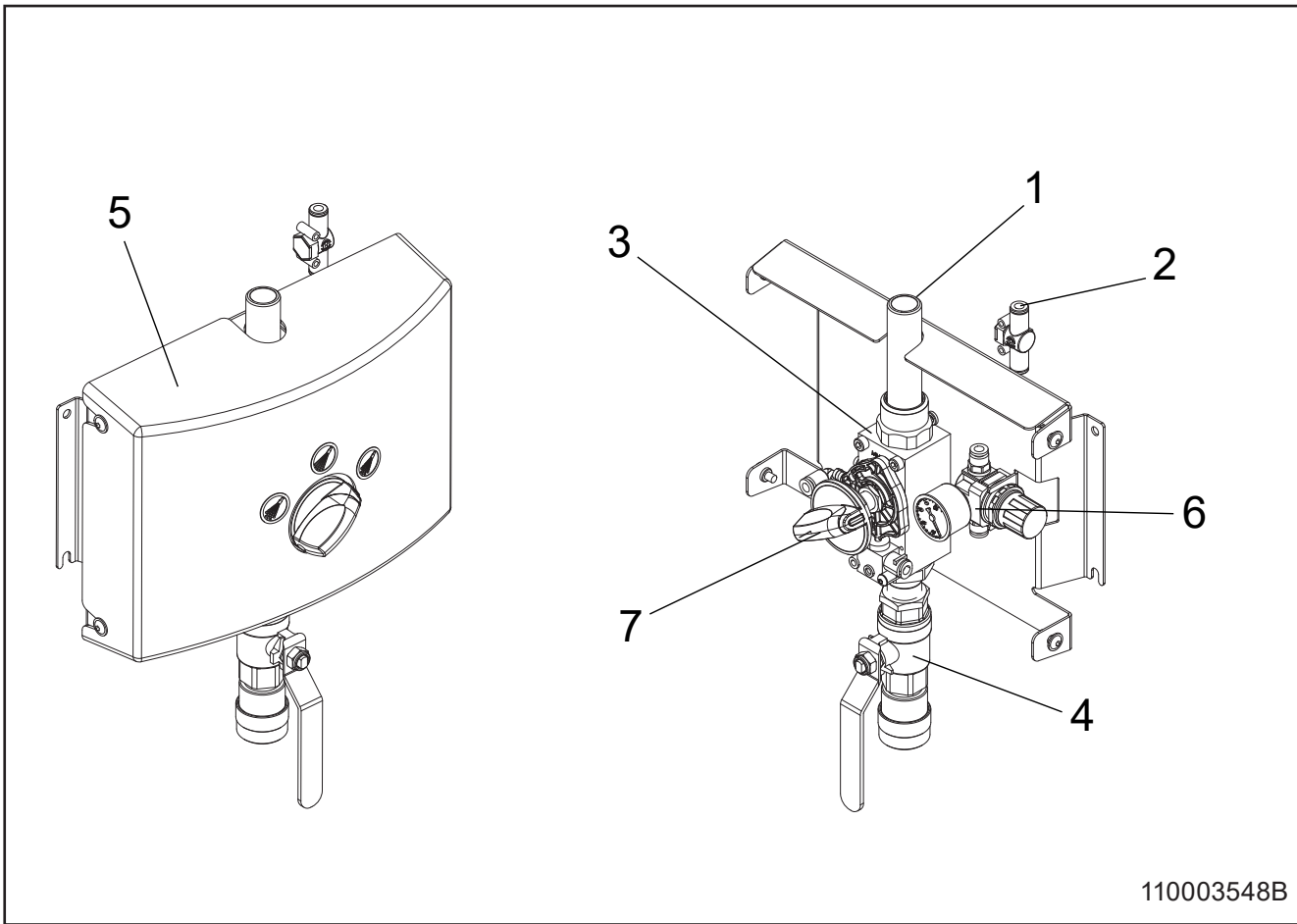
Español (ES)

Français (FR)

Deutsch (DE)

English (EN)

Pegasus SD



	English	Deutsch	Français	Español
1	Water inlet	Wassereintritt	Entrée d'eau	Entrada de agua
2	Inlet air	Ansaugluft	Entrée d'air	Entrada de aire
3	Multi block	Multi-Block	Multi block	Bloque múltiple
4	Quick coupling with check tap	Schnellkupplung mit Kontrollöffnung	Raccord rapide avec robinet de contrôle	Acoplamiento rápido con regulador de retención
5	Cover	Abdeckung	Couvercle	Cubierta
6	Air inlet	Lufteintritt	Entrée d'air	Entrada de aire
7	Operation button	Betriebstaste	Bouton de commande	Botón de funcionamiento

Printed in Denmark

No.: 110003089Q 11/2022
Serial no: 161.01.000XXX

© 2013 All rights reserved

ECOLAB Engineering GmbH,
F & B Engineering Competence Centre EMEA,
Raiffeisenstraße 7,
D-83313 Siegsdorf
Telephone.: (+49) 86 62 /61 0 - Fax: (+49) 86 62 / 61 2 35
e-Mail: engineering-mailbox@ecolab.com

ECOLAB[®]