

Multi Booster

**BF16, BF24, BF32, BF40, BF48,
BF16T, BF24T, BF32T, BF40T, BF48T.**



- ⓔ **Service Manual**
- ⓓ **Service – Handbuch**
- ⓕ **Manuel d'entretien**
- ⓔ **Manual de servicio**

Spare part list

Content EN

1. Description.....	3
1.1 Layout Multi Booster BF16 - BF24	4
1.2 Layout Multi Booster BF32 - BF40 - BF48	5
1.3 Operation Diagrams Multi Booster BF16 - BF24 - BF32 - BF40 - BF48	6
2. Maintenance	7
2.1 Filter	7
2.2 Long stops	7
3. Start	7
3.1 New system	7
4. Daily Operation	7
4.1 Start	7
4.2 Stop	7
5. Service	8
5.1 Components	8
5.1.1 Pump / Motor.....	8
5.1.2 Control system	8
5.1.3 Flow trigger	8
5.1.4 Non-return valve/intake side	8
5.2 Recycling and scrapping	8
6. Trouble Shooting	9
6.1 The unit does not start	9
6.2 The "Δ"- lamp on the control panel is on	10
6.3 Too low or unstable pressure	10
7. Recommended Spare Parts	11
8. Specifications	11
9. Electric diagram.....	12
10. Pump curve	15
11. Declaration of Conformity	16



1. Description

The Booster in the Chameleon Plus range is a completely functioning pumping station that supplies pressurised water to connected satellite hygiene stations. Therefore the Booster must be supplied with water in sufficient quantity and power according to specifications.

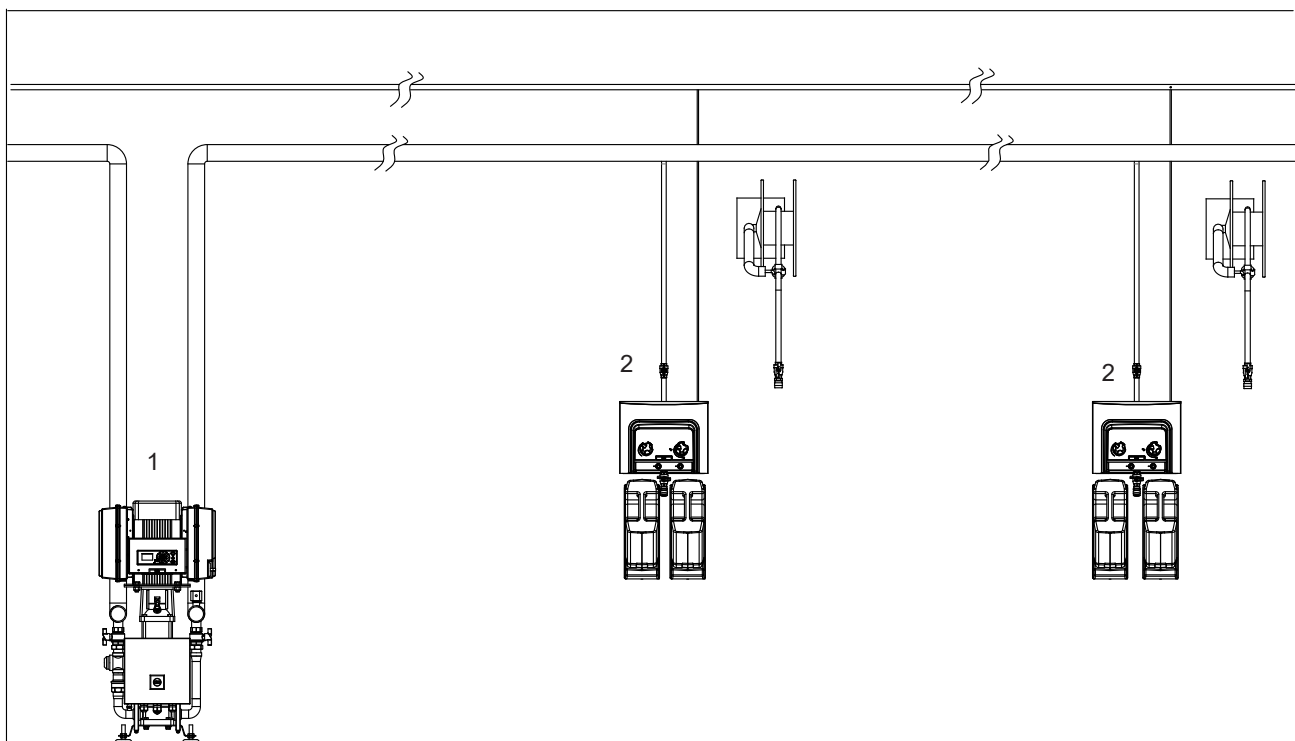
The station is then ready for hygiene duties.

The Booster is fitted with a frequency controlled pump which ensures a constant working pressure independent of usage pattern.

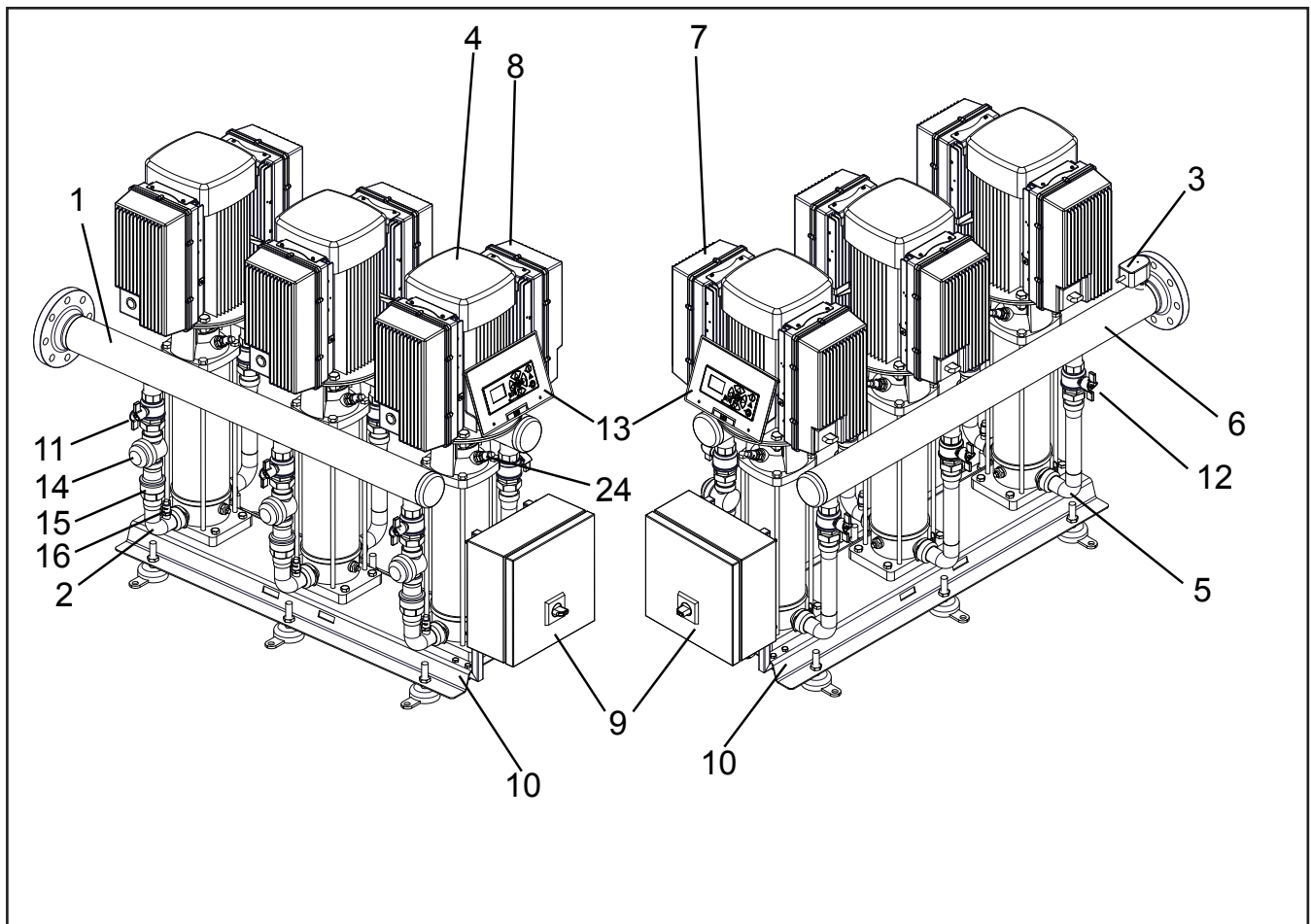
Important: Do not use the water from the system for applications other than cleaning.

A typical Floor Booster installation is shown in fig. 2

- Booster (1)
- Satellite (2)



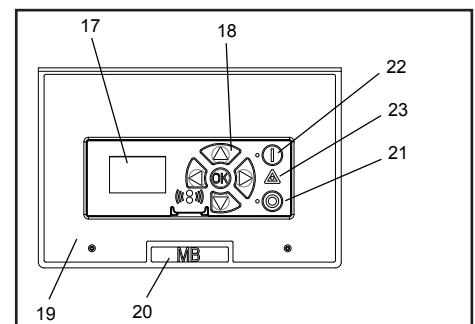
110002180



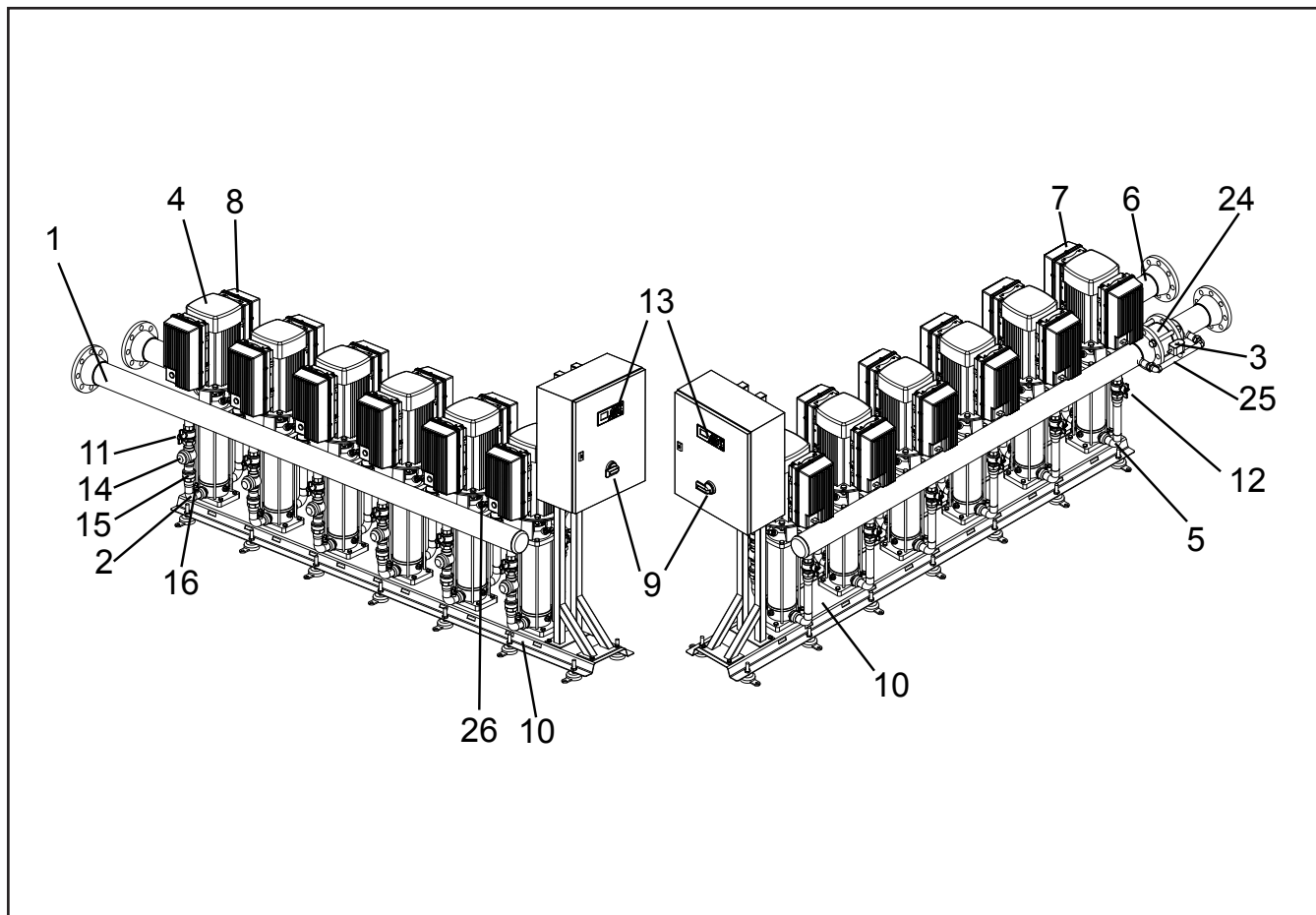
110002115

1.7 Multi Booster BF16 - BF24

1. Water inlet
2. Manifold inlet
3. Trigger sensor, flow sensor
4. Pump
5. Manifold outlet
6. Outlet pipe
7. Inverter box
8. Filter box
9. Electrical connection box
10. Floor bracket
11. Inlet ball valve
12. Outlet ball valve
13. Operation panel
14. Strainer
15. Non Return Valve
16. Pressure sensor
17. Display
18. Navigation buttons
19. Label
20. Name Label
21. • O Pushbutton.Stop
22. • I Pushbutton.Start
23. • Δ Lamp. Alight by error
24. Pressure sensor



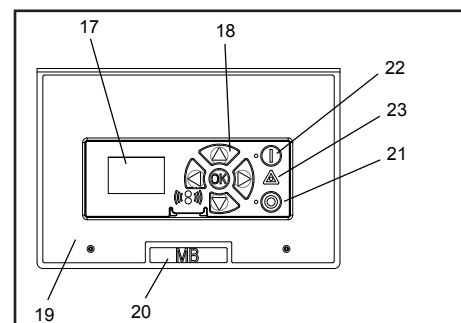
110002183



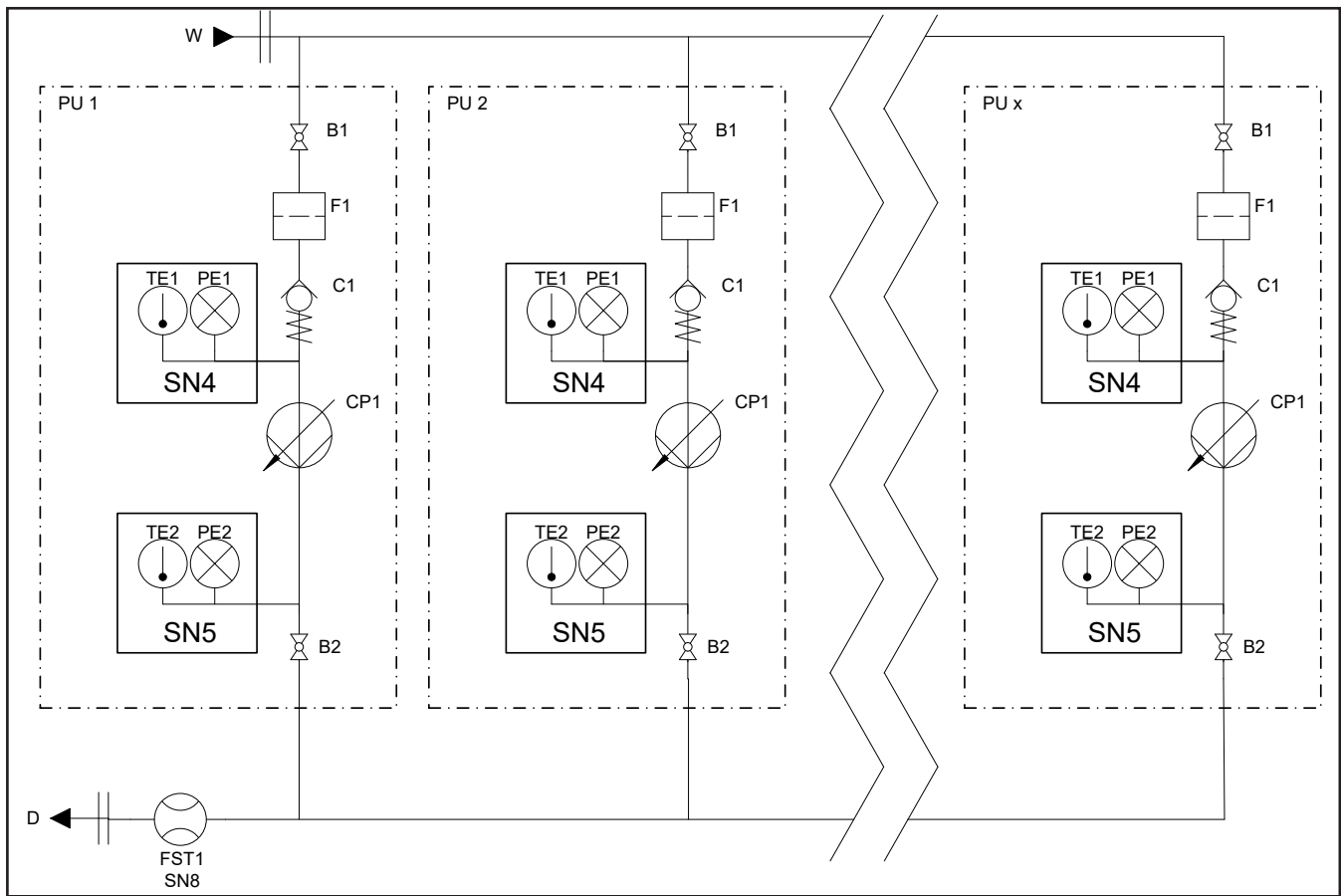
110002116

1.3 Advanced Booster BF32 - BF40 - BF48

1. Water inlet
2. Manifold inlet
3. Trigger sensor, flow sensor
4. Pump
5. Manifold outlet
6. Outlet pipe
7. Inverter box
8. Filter box
9. Electrical connection box
10. Floor bracket
11. Inlet ball valve
12. Outlet ball valve
13. Operation panel
14. Strainer
15. Non Return Valve
16. Pressure sensor



110002183



110002307

1.3 Operating Diagrams acc. ISO14617 Multi Booster BF16 - BF24 - BF32 - BF40 - BF48

- B. Ball valve.
- F. Filter
- FST. Flow switch.
- C. Check valve.
- PE. Pressure sensor.
- TE. Temperature sensor.
- CP. Centrifugal pump.
- D. Outlet.
- PU. Pump unit.
- W. Water inlet.
- SN : Socket no.

2. Maintenance

The Booster unit is maintenance free. However, we recommend cleaning the booster unit in connection with the occasional cleaning of the other equipment in the area. The filter must be cleaned at convenient intervals (approx. every 1-3 months) depending of the amount of impurities in the water.

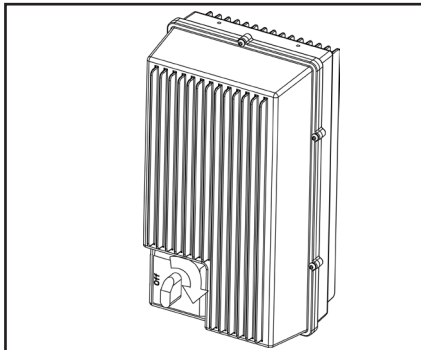


Fig. 1 0627106

2.1 Filter

1. Press "0" on the control panel to stop the Booster.
2. Interrupt the master switch (Fig. 1).
3. Close the water inlet .
4. Open a tap to release the system of pressure.
5. Remove the filter (A, Fig. 2) and place it in a descaling solution.

Note: MB systems are not delivered with a factory mounted filter. In case a filter is

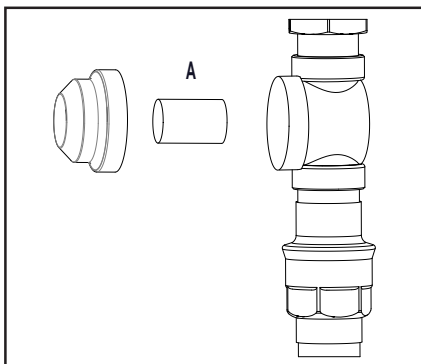


Fig. 2 110002117

mounted in a MB system, the descaling procedure is exactly the same until the scale is dissolved.

6. Rinse the cleaned filter thoroughly and remount.
7. Min filter mesh size 800 μ -> 1500 μ .

2.2 Before a longer production stop

If long production stops are planned (more than 6 months) and the pump is drained, it is recommended that the pump is secured as follows:

1. Remove the coupling safety guard.
2. Spray a couple of drops of silicone oil onto the axle between the top section and the coupling.

Carefully follow the instructions given in the manual provided by the pump supplier.

3. Start

3.1 New system

In order to ensure a problem-free start up of a new system the pipe system must be flushed and bled.

Bleeding the pipe system

1. Turn on the water supply to rinse and bleed the entire system. If satellites are installed open the tap furthest away until no air or dirt comes out. Then rinse and bleed the next tap and continue until the tap closest to you has been rinsed and bled.
2. Mount satellites, if any

Bleeding the pump

3. Press "0" on the control panel to stop the Booster.
4. Loosen the relief plug (A, Fig34) 1-2 revolutions until water and air begin to flow out. **Note.** Never loosen the relief plug while the pump is running as this may damage the packing and cause personal injury.
5. Tighten the relief plug again
6. Start the pump so that all remaining air pockets are forced up to the top of the pump.

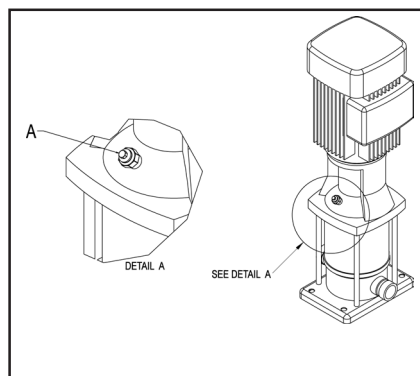


Fig. 3 0627131

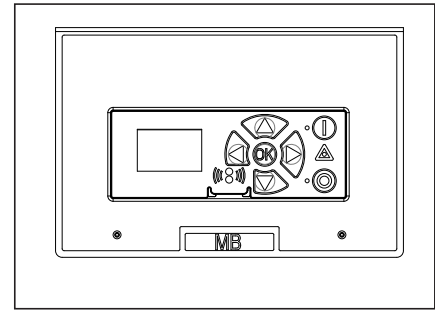


Fig. 4 110002183

7. Stop the pump.
8. Loosen the relief plug 1-2 revolutions again and bleed the system until only water flows out.
9. Tighten the relief plug once more.

The Booster is now ready for operation. Press "I" on the control panel. (see fig. 4).

4. Daily operation

4.1 Start

1. Check that water supplies for the system are open.
2. Press "I" on the control board in order to start up the unit.

4.2 Stop

1. Press "0" on the control panel to stop.
2. Turn off the water supply.
3. Switch off the air supply.

Note. Due to the following it is very important always to switch off both water and air supply after use:

- If the air supply is open when the main station or satellites are not in use, air might leak into the water line. If this happens, the system must be bled once more.
- The water separator, which is a part of the air regulator, is only to be emptied when the air supply is closed.

After a long time production stop (holidays etc) it might be necessary to bleed the piping system and the booster unit again.

5. Service

Service may only be carried out by authorized and qualified personnel.

Warning: The system must only be serviced when there is no voltage or pressure on the system.

1. Turn off the main switch at the control box (Fig. 1)
2. Open a water outlet to depressurise the system.

5.1 Components

5.1.1 Pump / motor

Pump/motor are maintenance free, see section 2.2

5.1.2 Control system

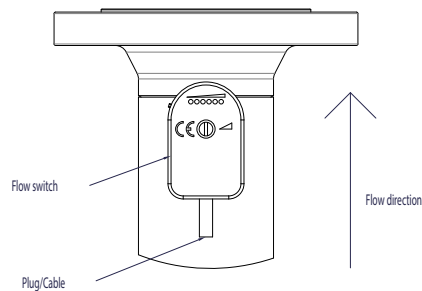
Maintenance free

If defective: Call service technician

5.1.3 Flow trigger

Maintenance-free.

If defective, replace the flow switch. The orientation of the flow switch has to be done in such way that the plug/cable end of the switch is pointing opposite the flow direction.



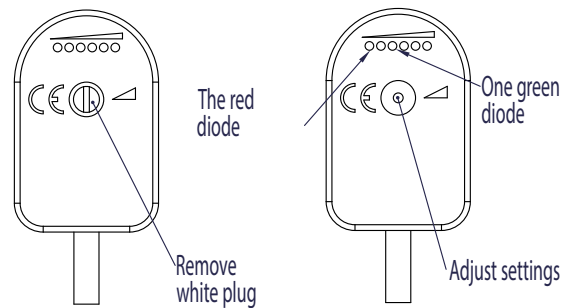
110004660

5.1.3.1 Adjustment of flow switch

When the flow switch is replaced/ installed it has to be adjusted.

1. Press "1" on the control panel to turn on the machine.
2. Turn "rinse/foam" handle on a satellite to foam position.
3. Activate the spray handle on the outlet hose of the satellite so water runs out.
4. Check that the flow switch is turned the correct way (the wire must be opposite the flow direction) (see picture).
5. Remove the white plug/screw before adjusting (see picture).
6. Adjust the flow to one green diode lights up (see picture).
7. Close the spray handle again and check that the red diode lights up.
8. Remount the white plug/screw.

The flow switch is now adjusted.



5.1.4 Non-return valve / inlet side

Maintenance - free.

If defective, replace the non-return valve.

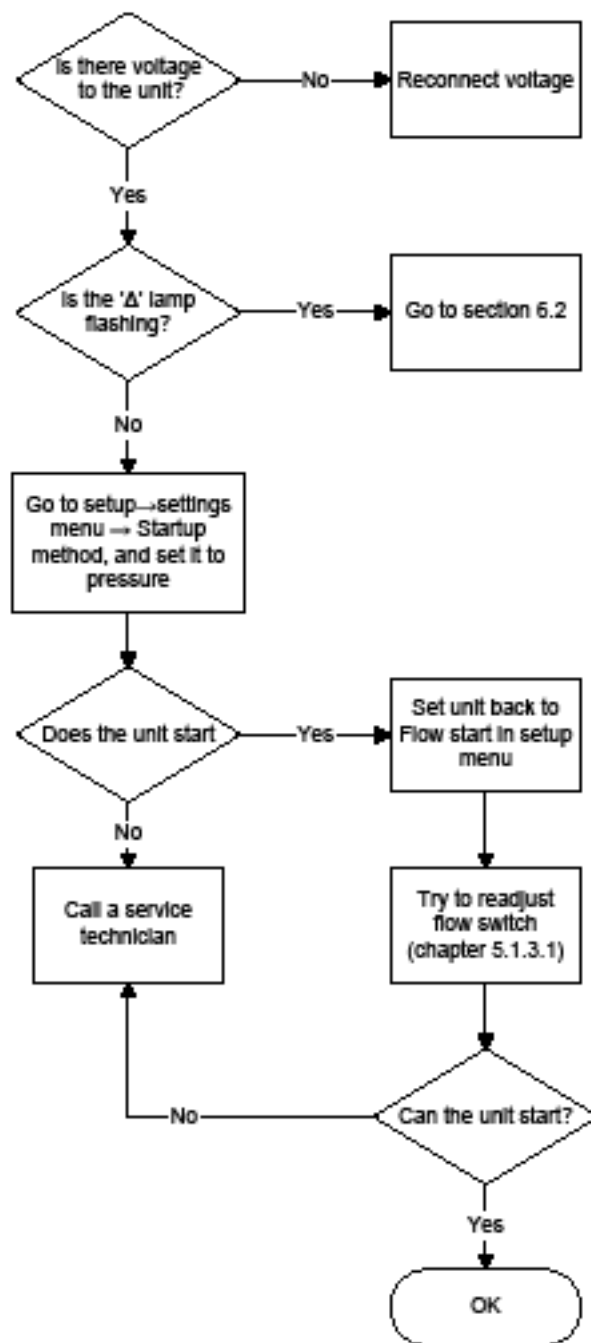
5.2 Recycling and scrapping

Recycle the wrapping and scrap the machine according to recommendations from the local authorities.

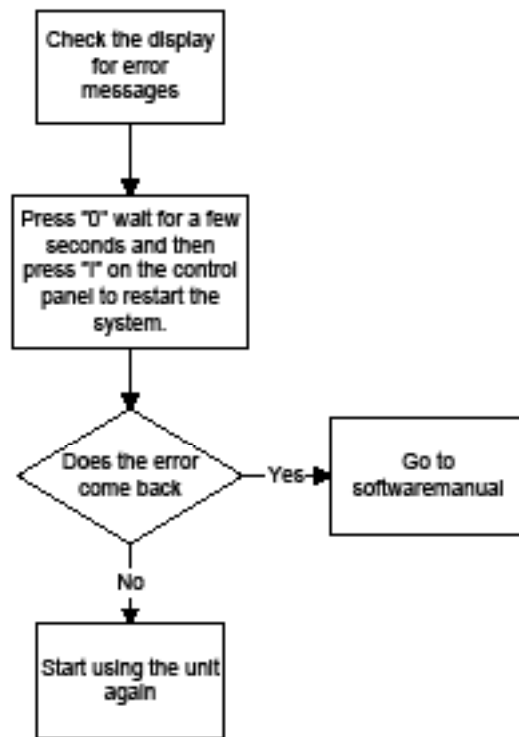
110004714

6. Troubleshooting

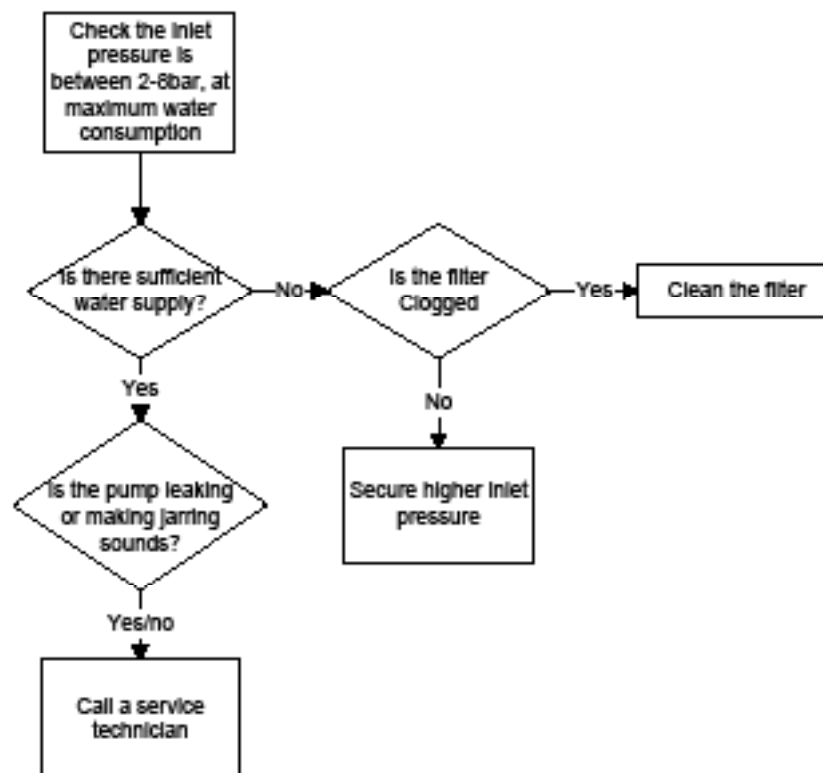
6.1 The unit does not start



6.2 The "Δ"- lamp on the control panel is on



6.3 If the inlet pressure is low or unstable



7. Recommended spare parts

The recommended spare parts are marked with * in the spare part manual.

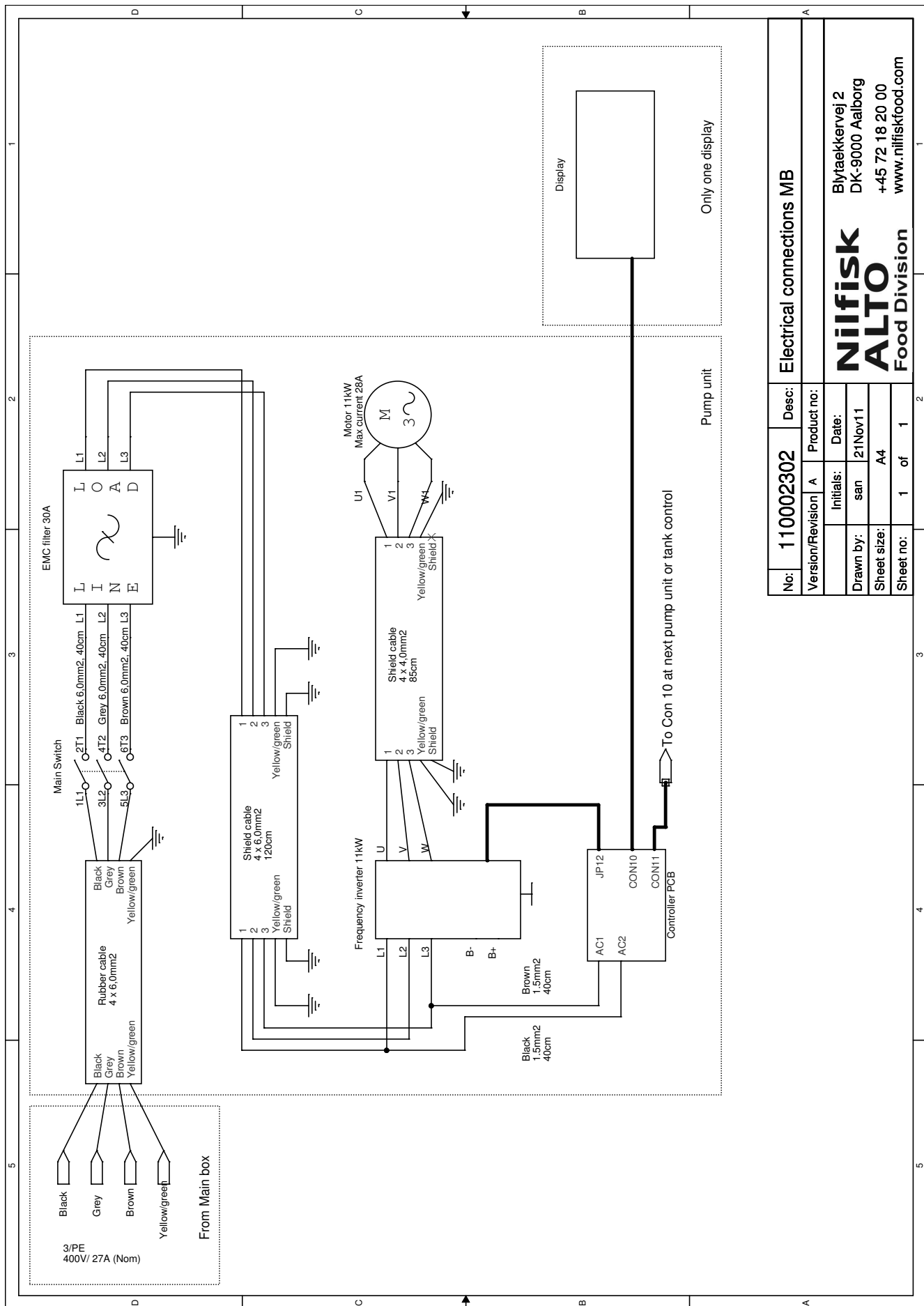
8. Specifications

Technical Data		Multi Booster.				
		BF16	BF24	BF32	BF40	BF48
Max. Outlet pressure.	bar	25*	25*	25*	25*	25*
Consumption during rinsing.	L/min	440	660	880	1100	1320
Consumption during foaming.	L/min	160	240	320	400	480
Min. supply pressure.	bar	2	2	2	2	2
Max. supply pressure.	bar	8	8	8	8	8
Min. water supply.	L/min	500	750	1000	1250	1500
Max. water temp.	°C	70	70	70	70	70
Pipe dimension inlet Ø	inch	2 1/2"	3"	4"	4"	4"
Pipe dimension outlet Ø	inch	2 1/2"	3"	4"	4"	4"
Electricity						
Supply voltage	V	3/PE 400 V ±10%				
Frequency	Hz	50±2				
Motor load (kW)	kW	22	33	44	55	66
Installation to EN 60204-1						
Nominal current	A	55	82,5	110	137,5	165
Fuse	A	63	100	125	160	200
L1, L2, L3, PE	mm ²	2.5	2.5	2,5	6	6
General						
Sound level ISO 11202	dB	85 dB	-	-	-	-
Dimensions	mm	1112x530x1043	1112x530x1477	1268x665x2399	1268 x 665 x 2822	1268 x 665 x 3248
Weight (kg) ca	kg	190	300	400	500	600

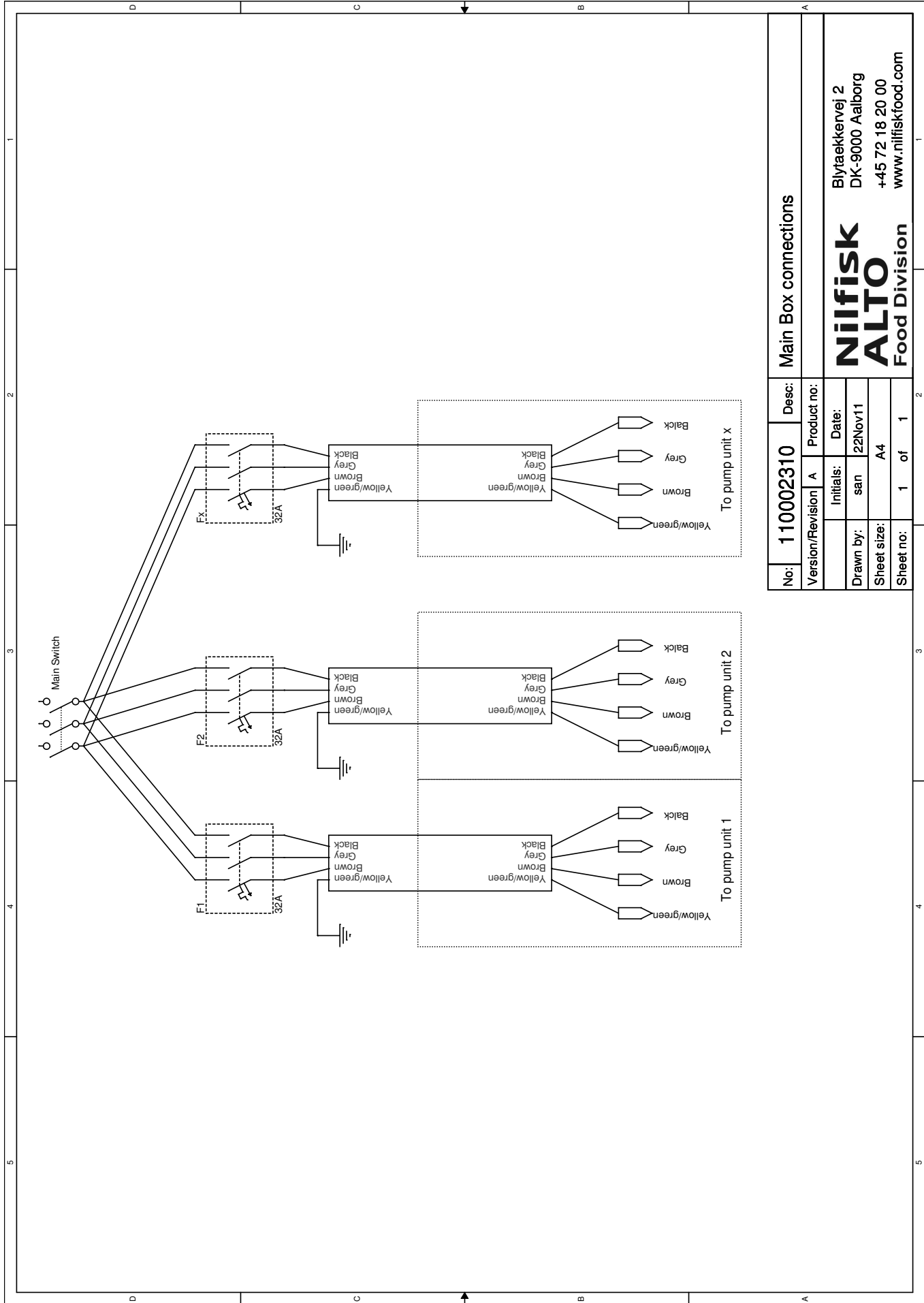
Note:

* Pump pressure 20 bar + inlet pressure max. 25 bar

9. Electric diagram

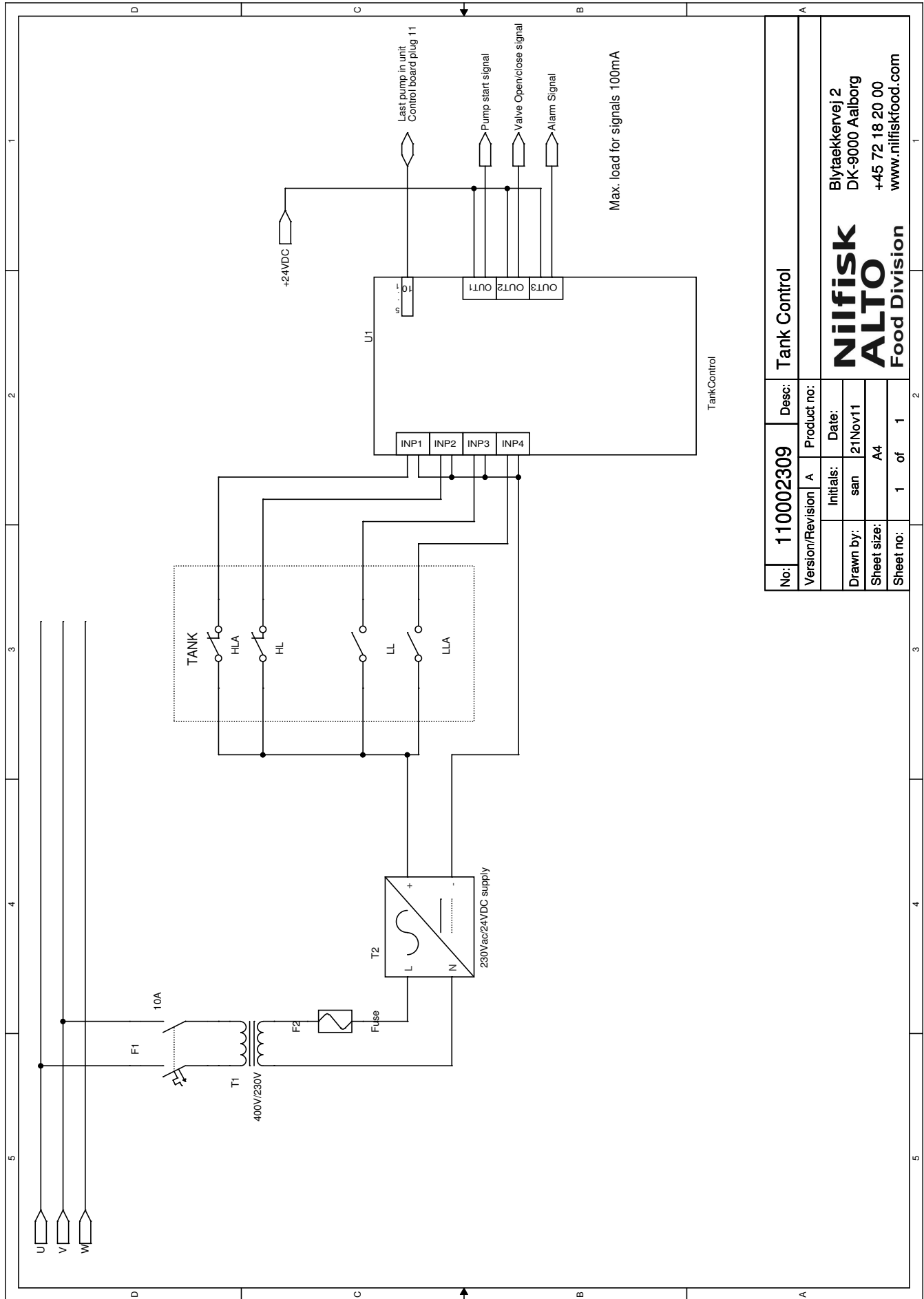


No:	11002302	Desc:	Electrical connections MB
Version/Revision	A	Product no:	
Initials:	san	Date:	21Nov11
Drawn by:	san	Sheet size:	A4
Sheet no:	1	of	1
		Nilfisk ALTO Food Division Blytaekkervej 2 DK-9000 Aalborg +45 72 18 20 00 www.nilfiskfood.com	



No: 110002310		Desc: Main Box connections	
Version/Revision	A	Product no:	
Initials:	san	Date:	22Nov11
Drawn by:	san	Sheet size:	A4
Sheet no:	1	of	1

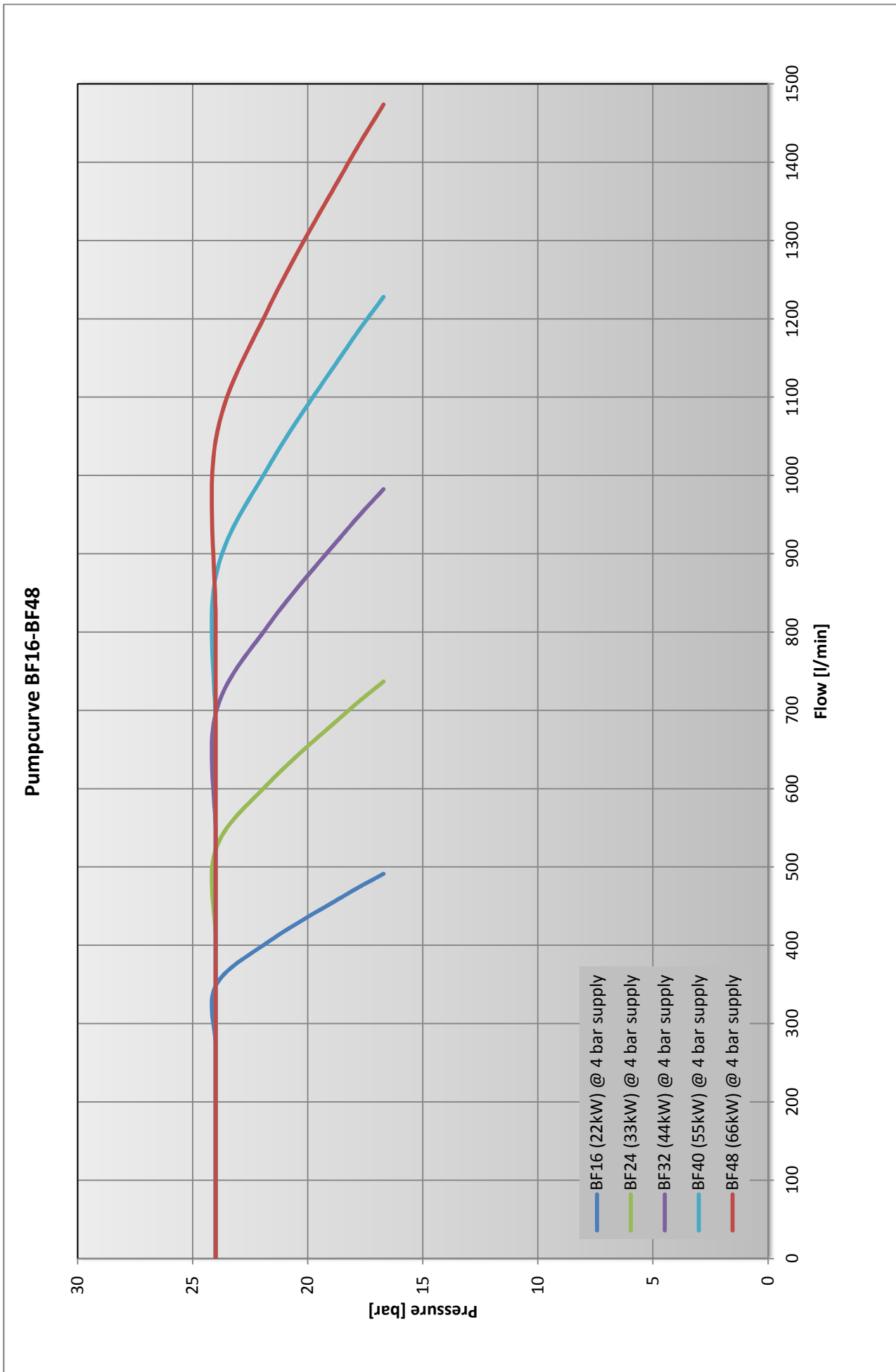
Nilfisk ALTO
 Blytaekervej 2
 DK-9000 Aalborg
 +45 72 18 20 00
 www.nifiskfood.com
 Food Division



No:	110002309		Desc:	Tank Control	
Version/Revision	A	Product no:			
Drawn by:	san	Initials:	san	Date:	21Nov11
Sheet size:	A4				
Sheet no:	1	of	1		

Nilfisk
ALTO
 Food Division
 Blytaekervej 2
 DK-9000 Aalborg
 +45 72 18 20 00
 www.nilfiskfood.com

10. Pump curve



110000455

11. Declaration of Conformity

BF16, BF24, BF32, BF40, BF48

- ⓔ Declaration of Conformity
- ⓓ Konformitätserklärung
- ⓕ Déclaration de Conformité
- ⓓ Dichiarazione di Conformità

- ⓔ Declaración de Conformidad
- ⓓ Declaração de Conformidade
- ⓔ Δήλωση Συμμόρφωσης
- ⓓ Overeenkomstigheidsverklaring
- ⓕ Försäkran om överensstämmelse
- ⓓ Vaatimustenmukaisuusvakuutus
- ⓓ Overensstemmelseserklæring
- ⓓ Deklaracja zgodności
- ⓓ Декларация о соответствии
- ⓓ Megfelelőségi nyilatkozat
- ⓓ Izjava o skladnosti
- ⓓ Izjava o usklađenosti
- ⓓ Deklaracija o konformitetu
- ⓓ Declarație de Conformitate

Nilfisk FOOD
Blytækkervej 2
9000 Aalborg
Danmark

EN Declaration of Conformity

We Nilfisk FOOD, declare under our sole responsibility that the products BF16+, BF24+, BF32+, BF40+, BF48+, to which this declaration relates, are in conformity with these Council directives on the approximation of the laws of the EC member states:

Function: Pumping Station
Model/Type: BF16-2+, BF24-3+, BF32-4+, BF40-5+, BF48-6+.
Serial number: All

Machinery Directive (2006/42/EC:2006-05-17).
Standard used: EN 60335-2-41/A2:2010

EMC Directive (2004/108/EC:2004-12-15).
Standard used: EN 55014-1/A1:2009 and EN 55014-2/A2:2008
Standard used: EN 61000-3-2/A2:2009 and EN 61000-3-3:2008

FR Déclaration de conformité

Nous, Nilfisk FOOD, déclarons sous notre propre responsabilité que les produits BF16+, BF24+, BF32+, BF40+, BF48+, auxquels se réfère cette déclaration, sont conformes à ces directives du Conseil sur le rapprochement des législations des États membres :

Fonction : Station de pompage
Modèle/Type : BF16-2+, BF24-3+, BF32-4+, BF40-5+, BF48-6+.
Numéro de série : Tous

Directive 2006/42/CE du 17 mai 2006 relative aux machines
Normes appliquées : EN 60335-2-41/A2:2010

Directive CEM (2004/108/CE:2004-12-15).
Normes appliquées : EN 55014-1/A1:2009 et EN 55014-2/A2:2008
Normes appliquées : EN 61000-3-2/A2:2009 et EN 61000-3-3:2008

DE Konformitätserklärung

Nilfisk FOOD, als alleinverantwortlich, erklären hiermit, dass: BF16+, BF24+, BF32+, BF40+, BF48+, in Übereinstimmung mit den Richtlinien zur Angleichung der Rechtsvorschriften der Mitgliedstaaten ist:

Funktion: Pumpenstation
Modell/Typ: BF16-2+, BF24-3+, BF32-4+, BF40-5+, BF48-6+.
Seriennummer: Alle

Maschinendirektive (2006/42/EC:2006-05-17).
Standarden: EN 60335-2-41/A2:2010

EMC Direktive (2004/108/EC:2004-12-15).
Standarden: EN 55014-1/A1:2009 og EN 55014-2/A2:2008
Standarden: EN 61000-3-2/A2:2009 og EN 61000-3-3:2008

IT Dichiarazione di conformità

Nilfisk FOOD dichiara sotto la sua esclusiva responsabilità che i prodotti BF16+, BF24+, BF32+, BF40+, BF48+, ai quali fa riferimento la presente dichiarazione, sono conformi alle direttive del Consiglio concernenti il riavvicinamento delle legislazioni degli stati membri della UE:

Funzione: Stazione di pompaggio
Modello/Tipo: BF16-2+, BF24-3+, BF32-4+, BF40-5+, BF48-6+.
Numero di serie: Tutti

Direttiva Macchine (2006/42/CE:2006-05-17).
Standard utilizzato: EN 60335-2-41/A2:2010

Direttiva EMC (2004/108/CE:15.12.04).
Standard utilizzato: EN 55014-1/A1:2009 ed EN 55014-2/A2:2008
Standard utilizzato: EN 61000-3-2/A2:2009 ed EN 61000-3-3:2008

ES Declaración de Conformidad

Nosotros, Nilfisk FOOD, declaramos bajo nuestra única responsabilidad que los productos BF16+, BF24+, BF32+, BF40+, BF48+, a los que se refiere esta declaración cumplen con las directivas de este Consejo sobre la legislación de los estados miembros de la CE:

Función: Estación de bombeo
Modelo/tipo: BF16-2+, BF24-3+, BF32-4+, BF40-5+, BF48-6+.
Número de serie: All

Directiva sobre máquinas (2006/42/EC:2006-05-17).
Normativa usada: EN 60335-2-41/A2:2010

Directiva CEM (2004/108/EC:15.12.04).
Normativa usada: EN 55014-1/A1:2009 y EN 55014-2/A2:2008
Normativa usada: EN 61000-3-2/A2:2009 y EN 61000-3-3:2008

PT Declaração de Conformidade

A Nilfisk FOOD declara, por sua exclusiva responsabilidade que os produtos BF16+, BF24+, BF32+, BF40+, BF48+, referidos nesta declaração, se encontram em conformidade com estas diretivas do Conselho relativas à aproximação das disposições legislativas dos Estados-Membros da CE:

Função: Estação de bombagem
Modelo/Tipo: BF16-2+, BF24-3+, BF32-4+, BF40-5+, BF48-6+.
Número de série: Todos

Diretiva relativa às máquinas (2006/42/CE:2006-05-17).
Norma utilizada: EN 60335-2-41/A2:2010

Diretiva CEM (2004/108/CE:2004-12-15).
Norma utilizada: EN 55014-1/A1:2009 e EN 55014-2/A2:2008
Norma utilizada: EN 61000-3-2/A2:2009 e EN 61000-3-3:2008

EL Δήλωση Συμμόρφωσης

Εμείς η Nilfisk FOOD, δηλώνουμε υπό την αποκλειστική μας ευθύνη ότι τα προϊόντα BF16+, BF24+, BF32+, BF40+, BF48+, Με τον οποίο σχετίζεται αυτή η δήλωση, συμμορφώνονται με τις παρακάτω οδηγίες του συμβουλίου σχετικά με την προσέγγιση των νόμων των κρατών μελών της ΕΚ:

Λειτουργία: Σταθμός άντλησης
Μοντέλο/Τύπος: BF16-2+, BF24-3+, BF32-4+, BF40-5+, BF48-6+.
Αριθμός σειράς: Όλοι

Οδηγία περί μηχανημάτων (2006/42/EC:2006-05-17).
Χρησιμοποιούμενο πρότυπο: EN 60335-2-41/A2:2010

Οδηγία ΗΜΣ (2004/108/EC:15.12.04).
Χρησιμοποιούμενο πρότυπο: EN 55014-1/A1:2009 και EN 55014-2/A2:2008
Χρησιμοποιούμενο πρότυπο: EN 61000-3-2/A2:2009 και EN 61000-3-3:2008

NL Overeenkomstigheidsverklaring

Wij, Nilfisk FOOD, verklaren geheel onder eigen verantwoordelijkheid dat de producten BF16+, BF24+, BF32+, BF40+, BF48+, waarop deze verklaring betrekking heeft, in overeenstemming zijn met de volgende Richtlijnen van de Raad betreffende de onderlinge aanpassing van de wetgevingen van de EG-lidstaten:

Functie: Pompinstallatie
Model/Type: BF16-2+, BF24-3+, BF32-4+, BF40-5+, BF48-6+.
Serienummer: Alle

Machinerichtlijn (2006/42/EG:17-05-2006).
Toegepaste norm: EN 60335-2-41/A2:2010

EMC-richtlijn (2004/108/EG:15-12-2004).
Toegepaste norm: EN 55014-1/A1:2009 en EN 55014-2/A2:2008
Toegepaste norm: EN 61000-3-2/A2:2009 en EN 61000-3-3:2008

SV Försäkran om överensstämmelse

Vi Nilfisk FOOD, tillkännager, under eget ansvar, att produkterna BF16+, BF24+, BF32+, BF40+, BF48+, som omfattas av denna försäkran, är i överensstämmelse med rådets direktiv om tillnärmning av medlemsstaternas lagstiftning i EG:

Funktion: Pumpstation
Modell/typ: BF16-2+, BF24-3+, BF32-4+, BF40-5+, BF48-6+.
Serienummer: Alla

Maskindirektiv (2006/42/EC:2006-05-17).
Standard som används: EN 60335-2-41/A2:2010

EMC-direktivet (2004/108/EG :2004-12-15).
Standard som används: EN 55014-1/A1:2009 och EN 55014-2/A2:2008
Standard som används: EN 61000-3-2/A2:2009 och EN 61000-3-3:2008

FI Vaatimustenmukaisuusvakuutus

Me Nilfisk FOOD vakuutamme yksinomaisella vastuulla, että tuotteet BF16+, BF24+, BF32+, BF40+, BF48+, jota tämä vakuutus koskee, noudattavat direktiivejä, jotka käsittelevät EY:n jäsenvaltioiden lakien yhdenmukaisuutta koskien seuraavia:

Toiminto: Pumpuasema
Malli/tyyppi: BF16-2+, BF24-3+, BF32-4+, BF40-5+, BF48-6+.
Sarjanumero: Kaikki

Konedirektiivi (2006/42/EY:2006-05-17).
Käytetty standardi: EN 60335-2-41/A2:2010

EMC-direktiivi (2004/108/EY:2004-12-15).
Käytetty standardi: EN 55014-1/A1:2009 ja EN 55014-2/A2:2008
Käytetty standardi: EN 61000-3-2/A2:2009 ja EN 61000-3-3:2008

DA Overensstemmelseserklæring

Nilfisk FOOD, erklærer under eneansvar, at produktet: BF16+, BF24+, BF32+, BF40+, BF48+, som denne erklæring vedrører, er i overensstemmelse med følgende direktiver om tilnærmelse af EU medlemslandenes love:

Function: Pumping Station
Model/Type: BF16-2+, BF24-3+, BF32-4+, BF40-5+, BF48-6+.
Serial number: All

Machinery Directive (2006/42/EC:2006-05-17).
Standard used: EN 60335-2-41/A2:2010

EMC Directive (2004/108/EC:2004-12-15).
Standard used: EN 55014-1/A1:2009 and EN 55014-2/A2:2008
Standard used: EN 61000-3-2/A2:2009 and EN 61000-3-3:2008

RU Декларация о соответствии

Мы, Nilfisk FOOD, принимая на себя всю ответственность, заявляем, что продукты Усовершенствованная BF16+, BF24+, BF32+, BF40+, BF48+, которых касается настоящая декларация, соответствуют данным директивам Совета о приблизительном соответствии законам стран-членов СЕ:

Функциональное назначение: Насосная станция
Модель/Тип: BF16-2+, BF24-3+, BF32-4+, BF40-5+, BF48-6+.
Серийный номер: все

Директива машин (2006/42/EC:17-05-2006).
Используемый стандарт: EN 60335-2-41/A2:2010

Директива ЭМС (2004/108/EC:15-12-2004).
Используемый стандарт: EN 55014-1/A1:2009 и EN 55014-2/A2:2008
Используемый стандарт: EN 61000-3-2/A2:2009 и EN 61000-3-3:2008

SL Izjava o skladnosti

V Nilfisk FOODu s polno odgovornostjo izjavljamo, da so naši izdelki BF16+, BF24+, BF32+, BF40+, BF48+, na katere se ta izjava nanaša, v skladu z naslednjimi direktivami Sveta o približevanju zakonodaje za izenačevanje pravnih predpisov držav članic ES:

Funkcija: Črpalna postaja
Model/Tip: BF16-2+, BF24-3+, BF32-4+, BF40-5+, BF48-6+.
Serijska številka: Vse

Direktiva o strojih (2006/42/EC:2006-05-17).
Uporabljeni standardi: EN 60335-2-41/A2:2010

Direktiva o elektromagnetni združljivosti (2004/108/EC:2004-12-15).
Uporabljeni standardi: EN 55014-1/A1:2009 and EN 55014-2/A2:2008
Uporabljeni standardi: EN 61000-3-2/A2:2009 and EN 61000-3-3:2008

PL Deklaracja zgodności

Firma Nilfisk ALTO z pełną odpowiedzialnością oświadcza, że produkty BF16+, BF24+, BF32+, BF40+, BF48+, których dotyczy ta deklaracja, spełniają wymogi poniższych dyrektywa Rady zgodnymi z prawem obowiązującym państwa członkowskie UE:

Funkcja: Stacja pompująca
Model/typ BF16-2+, BF24-3+, BF32-4+, BF40-5+, BF48-6+.
Numer seryjny: Wszystkie

Dyrektywa Maszynowa (2006/42/EC:2006-05-17).
Stosowana norma: EN 60335-2-41/A2:2010

Dyrektywa w sprawie kompatybilności elektromagnetycznej (2004/108/EC:15.12.04).
Stosowane normy: EN 55014-1/A1:2009 i EN 55014-2/A2:2008
Stosowane normy: EN 61000-3-2/A2:2009 i EN 61000-3-3:2008

HU Megfelelőségi nyilatkozat

Mi, a Nilfisk FOOD, kizárólagos felelősségünk tudatában kijelentjük, hogy a BF16+, BF24+, BF32+, BF40+, BF48+, amelyekre ez a nyilatkozat vonatkozik, megfelelnek az EU tagállamok törvényi rendelkezéseinek közelítéséről szóló tanácsi irányelveknek:

Funkció: Szivattyútelep
Modell/Típus: BF16-2+, BF24-3+, BF32-4+, BF40-5+, BF48-6+.
Sorozatszám: Összes

Gépekre vonatkozó irányelv (2006/42/EC:2006-05-17).
Alkalmazott szabvány: EN 60335-2-41/A2:2010

EMC irányelv (2004/108/EC:2004-12-15).
Alkalmazott szabvány: EN 55014-1/A1:2009 és EN 55014-2/A2:2008
Alkalmazott szabvány: EN 61000-3-2/A2:2009 és EN 61000-3-3:2008

HR Izjava o usklađenosti

Mi, Nilfisk FOOD, izjavljujemo pod vlastitom odgovornošću da je proizvod BF16+, BF24+, BF32+, BF40+, BF48+, na koji se ova izjava odnosi, u skladu s direktivama ovog Vijeća o usklađivanju zakona država članica EU:

Funkcija: Pumpna postaja
Model/vrsta: BF16-2+, BF24-3+, BF32-4+, BF40-5+, BF48-6+.
Serijski broj: Svi

Izjava o strojevima (2006/42/EC:2006-05-17).
Primijenjena norma: EN 60335-2-41/A2:2010

Izjava o elektromagnetskoj kompatibilnosti (2004/108/EC:2004-12-15).
Primijenjena norma: EN 55014-1/A1:2009 i EN 55014-2/A2:2008
Primijenjena norma: EN 61000-3-2/A2:2009 i EN 61000-3-3:2008

SR Deklaracija o konformitetu

Mi, Nilfisk FOOD, izjavljujemo pod vlastitom odgovornošću da je proizvod BF16+, BF24+, BF32+, BF40+, BF48+, na koji se ova izjava odnosi, u skladu sa direktivama, Saveta za usklađivanje zakona država članica EU:

Funkcija: Stanica za pumpanje
Model/tip: BF16-2+, BF24-3+, BF32-4+, BF40-5+, BF48-6+.
serijski broj: Kompletna

direktiva o mašinama (2006/42/EC:2006-05-17).
Primenjen standard: EN 60335-2-41/A2:2010

EMC direktiva (2004/108/EC:2004-12-15).
Primenjen standard: EN 55014-1/A1:2009 i EN 55014-2/A2:2008
Primenjen standard: EN 61000-3-2/A2:2009 i EN 61000-3-3:2008

RO Declarație de Conformitate

Noi, Nilfisk FOOD, declarăm pe propria răspundere că produsele BF16+, BF24+, BF32+, BF40+, BF48+, la care se referă această declarație, sunt în conformitate cu aceste Directive de Consiliu asupra armonizării legilor Statelor Membre CE:

Funcție: Stație de igienizare și de pompare
Model/Tip: BF16-2+, BF24-3+, BF32-4+, BF40-5+, BF48-6+.
Număr de serie: toate

Directiva Mașini (2006/42/EC:2006-05-17).
Standarde utilizate: EN 60335-2-41/A2:2010

Directiva EMC (2004/108/EC:15.12.04).
Standarde utilizate: EN 55014-1/A1:2009 și EN 55014-2/A2:2008
Standarde utilizate: EN 61000-3-2/A2:2009 și EN 61000-3-3:2008

BG Декларация за съответствие

Ние, фирма Nilfisk FOOD, заявяваме с пълна отговорност, че продуктите BF16+, BF24+, BF32+, BF40+, BF48+, за които се отнася настоящата декларация, отговарят на следните указания на Съвета за уеднаквяване на правните разпоредби на държавите членки на ЕС:

Функция: Помпена станция
Модел/Тип: BF16-2+, BF24-3+, BF32-4+, BF40-5+, BF48-6+.
Сериен номер: Всички

Директива относно машините (2006/42/EO: 17.05.2006 г.).
Използван стандарт: EN 60335-2-41/A2:2010

Директива относно електромагнитната съвместимост (2004/108/EO: 15.12.2004 г.).
Използван стандарт: EN 55014-1/A1:2009 и EN 55014-2/A2:2008
Използван стандарт: EN 61000-3-2/A2:2009 и EN 61000-3-3:2008

CS Prohlášení o shodě

My firma Nilfisk FOOD prohlašujeme na svou plnou odpovědnost, že výrobky BF16+, BF24+, BF32+, BF40+, BF48+, na něž se toto prohlášení vztahuje, jsou v souladu s ustanoveními směrnice Rady pro sblížení právních předpisů členských států Evropského společenství v oblastech:

Funkce: Čerpací stanice
Model/Typ: BF16-2+, BF24-3+, BF32-4+, BF40-5+, BF48-6+.
Výrobní číslo: Všechna

Směrnice o strojních zařízeních (2006/42/EC:2006-05-17).
Použitá norma: EN 60335-2-41/A2:2010

Směrnice EMC (2004/108/EC:2004-12-15).
Použitá norma: EN 55014-1/A1:2009 a EN 55014-2/A2:2008
Použitá norma: EN 61000-3-2/A2:2009 a EN 61000-3-3:2008

SK Prehlásenie o konformite

My firma Nilfisk FOOD prehlasujeme na svoju plnú zodpovednosť, že výrobky BF16+, BF24+, BF32+, BF40+, BF48+, na ktoré sa toto prehlásenie vzťahuje, sú v súlade s ustanovením smernice Rady pre zblíženie právnych predpisov členských štátov Európskeho spoločenstva v oblastiach:

Funkcia: Čerpacia stanica
Model/tip: BF16-2+, BF24-3+, BF32-4+, BF40-5+, BF48-6+.
Sériové číslo: Všetky

Smernica o strojních zariadeniach (2006/42/ES: 17.5.2006).
Použitá norma: EN 60335-2-41/A2: 2010

Smernica o elektromagnetickej kompatibilite (2004/108/ES: 15.12.2004).
Použitá norma: EN 55014-1/A1: 2009 a EN 55014-2/A2: 2008
Použitá norma: EN 61000-3-2/A2: 2009 a EN 61000-3-3: 2008

TR Uygunluk Bildirgesi

Nilfisk FOOD olarak bu beyannameye konu olan BF16+, BF24+, BF32+, BF40+, BF48+, ürünlerinin, AB Üyesi Ülkelerin kanunlarını birbirine yaklaştırma üzerine Konsey Direktifleriyle uyumlu olduğunu yalnızca bizim sorumluluğumuz altında olduğunu beyan ederiz:

Fonksiyon: Pompalama İstasyonu
Model/Tip: BF16-2+, BF24-3+, BF32-4+, BF40-5+, BF48-6+.
Seri numarasi: Tümü

Makine Direktifi (2006/42/EC:2006-05-17).
Kullanılmış standartlar: EN 60335-2-41/A2:2010

EMC Direktifi (2004/108/EC:2004-12-15).
Kullanılmış standartlar: EN 55014-1/A1:2009 ve EN 55014-2/A2:2008
Kullanılmış standartlar: EN 61000-3-2/A2:2009 ve EN 61000-3-3:2008

ET Vastavusdeklaratsioon

Meie, Nilfisk FOOD, deklareerime enda ainuvastutusel, et tooted BF16+, BF24+, BF32+, BF40+, BF48+, mille kohta käesolev juhend käib, on vastavuses EÜ Nõukogu direktiividega EMÜ liikmesriikide seaduste ühitamise kohta, mis käsitlevad:

Funktsioon: Pumbajaam
Mudel/tüüp: BF16-2+, BF24-3+, BF32-4+, BF40-5+, BF48-6+.
Seerianumber: kõik

Masinaidirektiiv (2006/42/EÜ:2006-05-17).
Kasutatav standard: EN 60335-2-41/A2:2010

Elektromagnetilise ühilduvuse (EMC) direktiiv (2004/108/EÜ:2004-12-15).
Kasutatav standard: EN 55014-1/A1:2009 ja EN 55014-2/A2:2008
Kasutatav standard: EN 61000-3-2/A2:2009 ja EN 61000-3-3:2008

LT Atitikties deklaracija

Mes, Nilfisk FOOD, su visa atsakomybe pareiškiame, kad gaminiai BF16+, BF24+, BF32+, BF40+, BF48+, kuriems skirta ši deklaracija, atitinka šias Tarybos Direktyvas dėl Europos Ekonominės Bendrijos šalių narių įstatymų suderinimo:

Paskirtis: Pumpavimo terminalas
Modelis / tipas: BF16-2+, BF24-3+, BF32-4+, BF40-5+, BF48-6+.
Serijos numeris: visi

Mašinų direktyvą (2006/42/EB:2006-05-17),
taikytas standartas: EN 60335-2-41/A2:2010;

Elektromagnetinio suderinamumo direktyvą (2004/108/EB:2004-12-15),
taikytas standartas: EN 55014-1/A1:2009 ir EN 55014-2/A2:2008,
taikytas standartas: EN 61000-3-2/A2:2009 ir EN 61000-3-3:2008

LV Paziņojums par atbilstību prasībām

Sabiedrība Nilfisk FOOD ar pilnu atbildību dara zināmu, ka produkti BF16+, BF24+, BF32+, BF40+, BF48+, uz kuriem attiecas šis paziņojums, atbilst šādām Padomes direktīvām par tuvināšanos EK dalībvalstu likumdošanas normām:

Funkcija: Sūkņa stacija
Modelis/tips: BF16-2+, BF24-3+, BF32-4+, BF40-5+, BF48-6+.
Sērijas numurs: visi.

Mašīnu direktīva (2006/42/EK, 17.05.2006.)
Izmantotais standarts: EN 60335-2-41/A2:2010

Elektromagnētiskās savietojamības direktīva (2004/108/EK, 15.12.2004.)
Izmantotais standarts: EN 55014-1/A1:2009 un EN 55014-2/A2:2008
Izmantotais standarts: EN 61000-3-2/A2:2009 un EN 61000-3-3:2008

UK Свідчення про відповідність вимогам

Компанія Nilfisk FOOD заявляє про свою виключну відповідальність за те, що продукти BF16+, BF24+, BF32+, BF40+, BF48+, на які поширюється дана декларація, відповідають таким рекомендаціям Ради з уніфікації правових норм країн -членів ЕС:

Функція: Насосна станція
Модель/Тип: BF16-2+, BF24-3+, BF32-4+, BF40-5+, BF48-6+.
Серійний номер: усі

Директива щодо машинного обладнання (2006/42/ЕС:2006-05-17).
Використаний стандарт: EN 60335-2-41/A2:2010

Директива щодо електромагнітної сумісності (2004/108/ЕС:2004-12-15).
Використаний стандарт: EN 55014-1/A1:2009 та EN 55014-2/A2:2008
Використаний стандарт: EN 61000-3-2/A2:2009 та EN 61000-3-3:2008

Technical file responsible:

Flemming Asp
Nilfisk FOOD
Blytaekkervej 2
9000 Aalborg, Denmark

Inhalt DE

1. Beschreibung.....	3
1.1 Layout Multi Booster BF16 - BF24.....	4
1.2 Layout Multi Booster BF32 - BF40 - BF48.....	5
1.3 Funktionsdiagramme Multi Booster BF16 - BF24 - BF32 - BF40 - BF48.....	6
2. Wartung.....	7
2.1 Filter.....	7
2.2 Längere Stopps.....	7
3. Start.....	7
3.1 Eine neue Anlage.....	7
4. Tagliche Inbetriebnahme.....	7
4.1 Starten.....	7
4.2 Stoppen.....	7
5. Service / inspektion.....	8
5.1 Komponenten.....	8
5.1.1 Pumpe / Motor.....	8
5.1.2 Kontrolsystem.....	8
5.1.3 Flowtrigger.....	8
5.1.4 Rückschlagventil / Zugangsseite.....	8
5.2 Recycling und Entsorgung.....	8
6. Fehlersuche.....	9
6.1 Die Anlage will nicht starten.....	9
6.2 "Δ"- Lampe an dem Kontroll-Paneel leuchtet.....	10
6.3 Der Druck ist zu niedrig instabil.....	10
7. Empfehlenswerte Ersatzteile.....	11
8. Spezifikationen.....	11
9. Schaltplan.....	12
10. Pumpenkurve.....	15
11. Konformitätserklärung.....	16



1. Beschreibung

Der Booster in der Chamäleon Plus-Serie ist eine vollständig arbeitende Pumpstation, die unter Druck gesetztes Wasser an verbundene Satellitenhygienestationen liefert. Gemäß den Spezifikationen, muss die Booster immer mit genügender Wasserzufuhr und Stromversorgung versorgt werden.

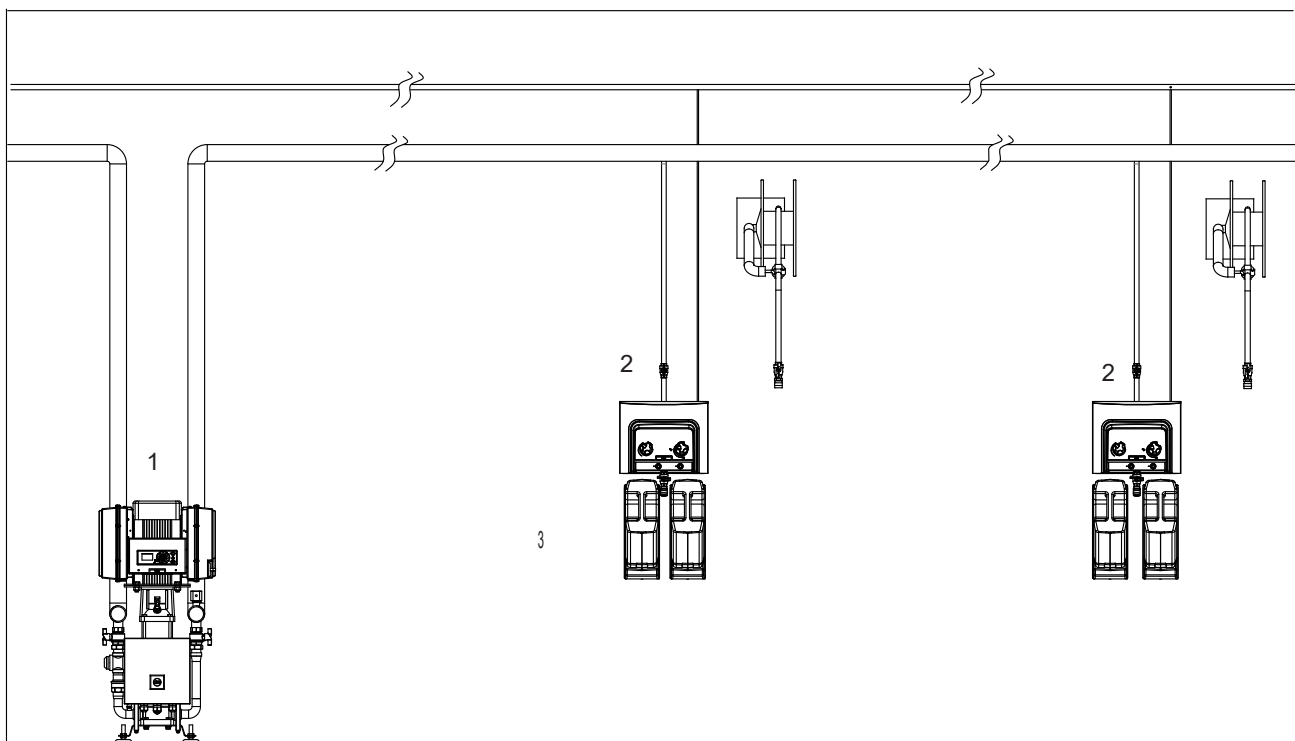
Die Anlage ist nun für allerlei Hygieneaufgaben bereit.

Der Booster wird einer Frequenzgesteuerten Pumpe angepasst, die, unabhängig vom Verbrauchsmuster, einen konstant arbeitenden Druck sichert.

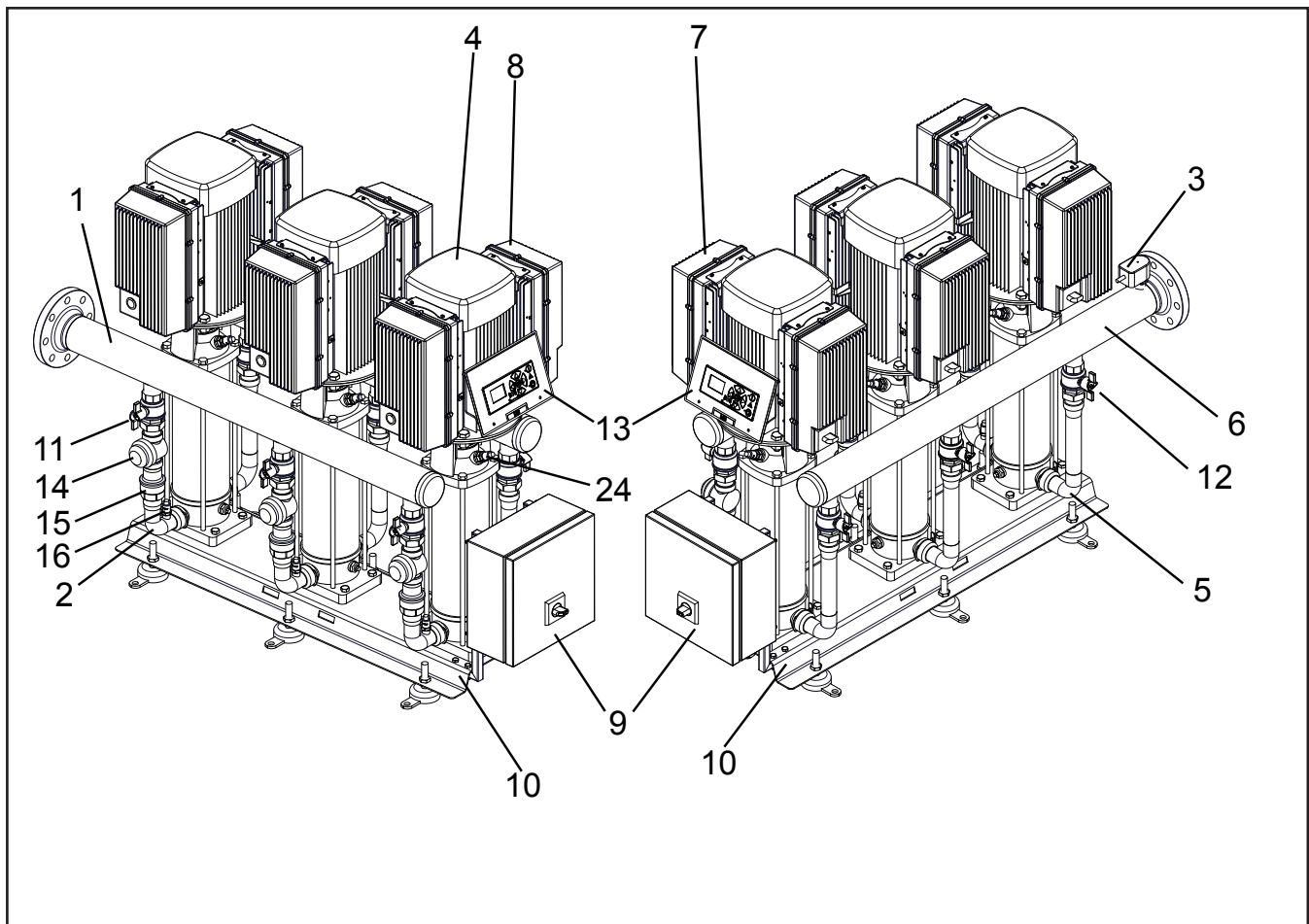
Wichtig: Benutzen Sie das Wasser vom System nicht für andere Anwendungen als zu Reinigungszwecken.

Eine typische Booster für Bodengestell Installation ist in fig. 1 gezeigt

- Booster (1)
- Satellit (2)



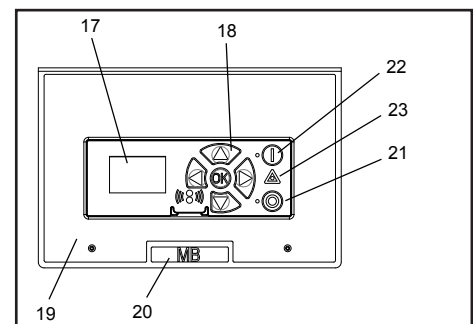
110002180



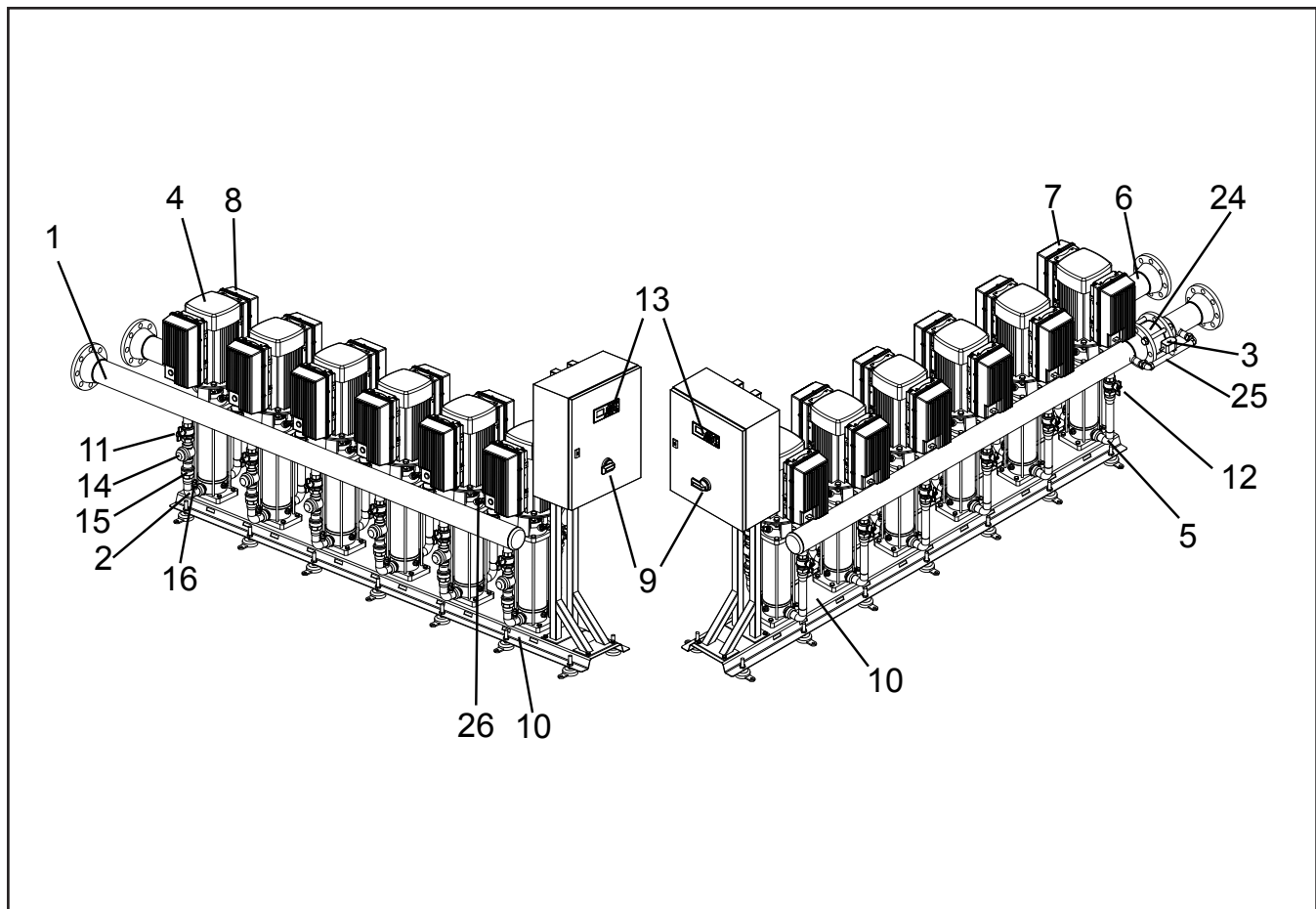
110002115

1.1 Multi Booster BF16 - BF24.

1. Wassereinlassrohr
2. Verteilerrohreingang
3. Trigger-Sensor, Strömungswächter (Flow Sensor)
4. Pumpe
5. Verteilerrohrausgang
6. Ausgangsrohr
7. Inverterkasten
8. Filterkasten
9. Elektrischer anschluss-kasten
10. Fußbodenhaltewinkel
11. Eingang Kugelhahn
12. Anschlußkugelhahn (ausgang)
13. Schalttafel
14. Filter
15. Rückschlagventil
16. Druck sensor eingangsdruck
17. Anzeige (Display)
18. Navigationsknöpfe
19. Aufkleber
20. Namensaufkleber
21. •○ Druckknopf. Stopp
22. •I Druckknopf.Start
23. •△ Lampe. Leuchtet im fall eines Fehlers
24. Druck sensor ausgangsdruck



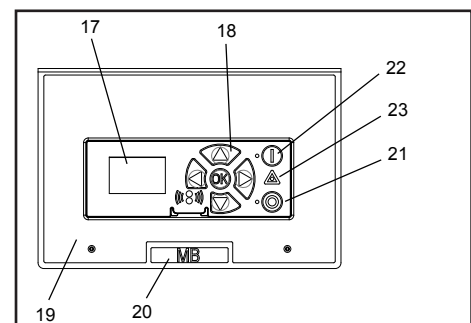
110002183



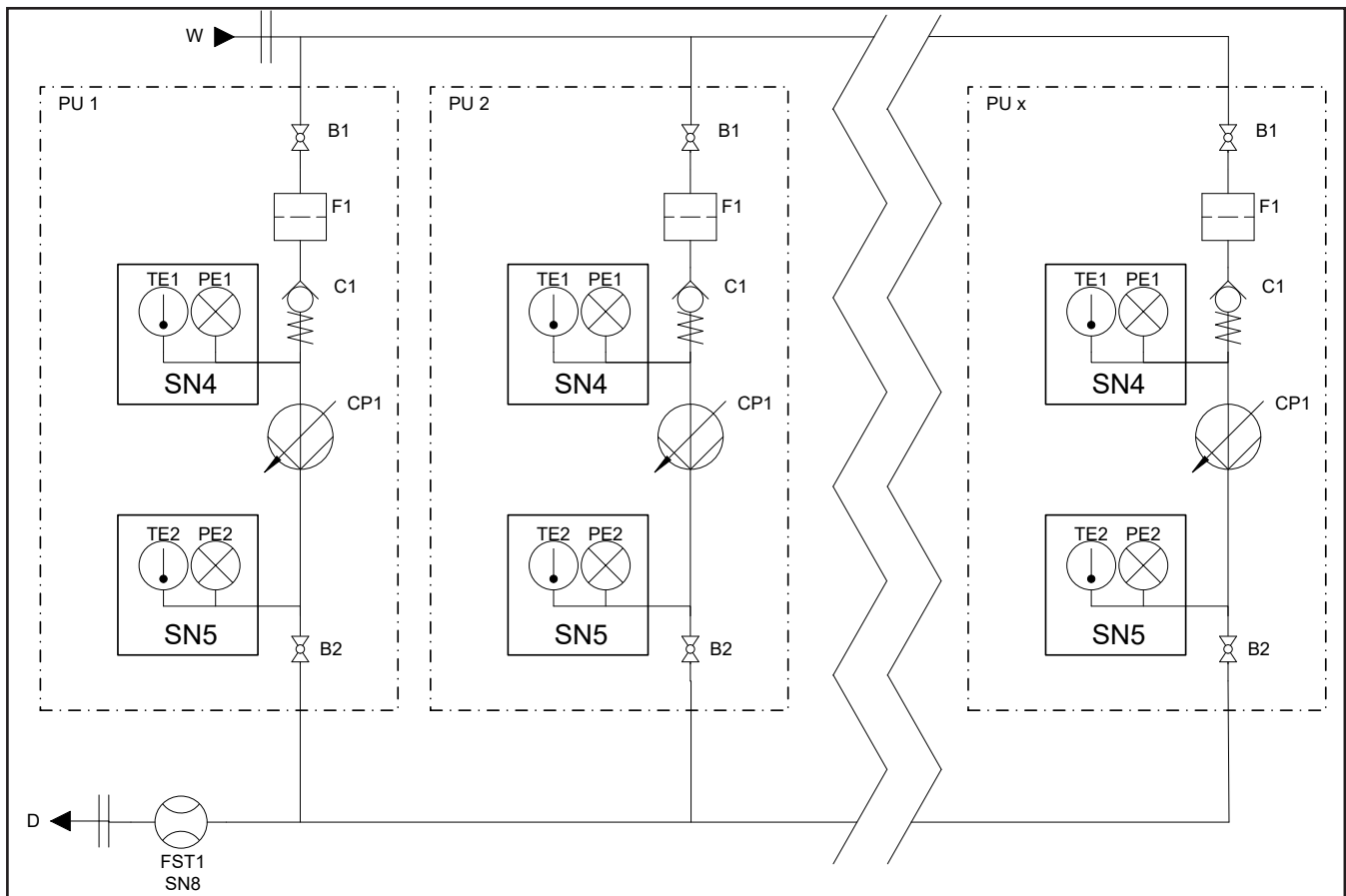
110002116

1.2 Multi Booster BF32 - BF40 - BF48.

1. Wassereinlassrohr
2. Verteilerrohreingang
3. Trigger-Sensor, Strömungswächter (Flow Sensor)
4. Pumpe
5. Verteilerrohrausgang
6. Ausgangsrohr
7. Inverterkasten
8. Filterkasten
9. Elektrischer anschluss-kasten
10. Fußbodenhaltewinkel
11. Eingang Kugelhahn
12. Anschlußkugelhahn (ausgang)
13. Schalttafel
14. Filter
15. Rückschlagventil
16. Druck sensor eingangsdrück
17. Anzeige (Display)
18. Navigationsknöpfe
19. Aufkleber
20. Namensaufkleber
21. • ○ Druckknopf. Stopp
22. • I Druckknopf. Start
23. • Δ Lampe. Leuchtet im fall eines Fehlers
24. Rückschlagventil für By-pass
25. By-pass
26. Drucksensor ausgangsdrück



110002183



110002307

1.3 Funktionsdiagramme gemäß ISO14617

Multi Booster BF16 - BF24 - BF32 - BF40 - BF48

- B. Kugelventil.
- F. Filter
- FST. Strömungswächter.
- C. Rückschlagventil.
- PE. Drucksensor.
- TE. Temperatursensor.
- CP. Zentrifugalpumpe.
- D. Ausgang.
- PU. Pump-Einheit.
- W. Wassereinlassrohr.
- SN. Faßung Nr.

2. Wartung

Die Booster Anlage ist wartungsfrei. Wir empfehlen aber, in Verbindung mit der allgemeinen Reinigung im Gebiet, auch die Booster Anlage zu reinigen. Das Filter mit passenden Intervallen reinigen (ungefähr 1-3 Monate) abhängig von der Menge von Unreinigkeiten im Wasser.

2.1 Filter

1. Die "0" auf der Schalttafel drücken, um die den Booster abzustellen.
2. Den Hauptschalter aus-

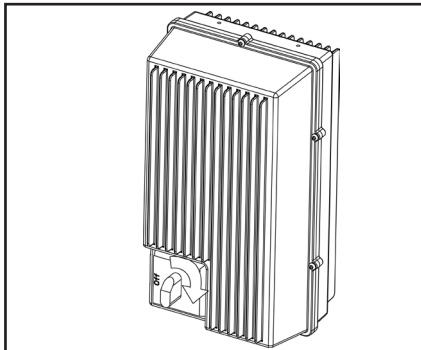


Fig. 1 0627106

3. schalten (Fig. 1).
3. Den Wassereinlass unterbrechen.
4. Einen Ausgang öffnen, um den Druck vom System zu lösen.
5. Entfernen Sie den Filter (A, Abb. 2), und legen Sie den Filter in einer Entkalkungslösung.

Hinweis: MB-Systeme werden nicht von der Fabrik mit einem Filter geliefert. Im Falle einen Filter in einem MB-System montiert ist, ist das Entkalkungsverfahren wie oben

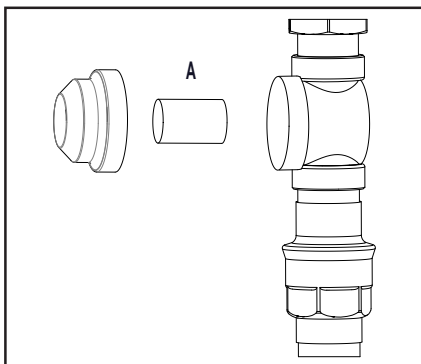


Fig. 2 110002117

- beschrieben.
6. Den gereinigten Filter gründlich spülen und wiederum anmontieren.
7. Min. filtermaschengröße 800µ -> 1500µ.

2.2 Bevor einen längeren Produktionsstopp

Ist ein länger dauernder Produktionsstopp geplant (über 6 Monate), wo die Pumpe von Wasser geleert wird, empfiehlt es sich die Pumpe folgender Weise zu sichern:

1. Den Kuppelungsschutzschirm abmontieren.
2. Ein paar Tropfen Silikonöl in die Axel zwischen dem Zylinderkopf und der Kuppelung sprühen.

Im Übrigen empfiehlt es sich die beiliegende Bedienungsanleitung des Pumpenlieferanten genauestens zu befolgen.

3. Start

NB! Die Pumpe muss vor dem Start ausgelüftet und mit Wasser gefüllt sein.

3.1 Eine neue Anlage

Um einen problemfreien Start einer neuen Anlage zu sichern, muss das System durchgespült und ausgelüftet werden:

Auslüftung des Rohrsystems

1. Die "0" auf der Schalttafel drücken, um die den Booster abzustellen.
2. Öffnen Sie den Einlass fürs Wasser, um das ganze System durchzuspülen und auszulüften. Sind Satelliten installiert, wird der am entfernteste Ausgang geöffnet, bis keinerlei Unreinheiten und Luft mehr austreten. Daraufhin wird der nächst entfernteste Ausgang durchgespült und ausgelüftet und so weiter und so fort, bis der nächstliegende Ausgang durchgespült und ausgelüftet ist..

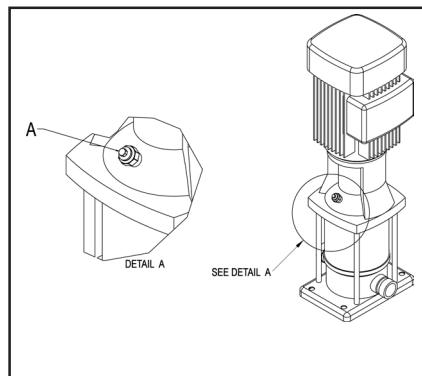


Fig. 3 0627131

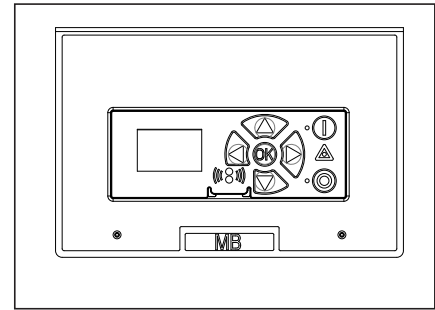


Fig. 4 110002183

3. Eventuelle Satelliten werden nun montiert.

Auslüftung der Pumpe(n)

4. Den Zusatzstöpsel 1-2 Umdrehungen lockern (A, Fig.3), bis Wasser und Luft herauskommen.

NB! Der Entlüftungsnippel während Pumpenbetrieb nie lösen als dies die Dichtung beschädigen kann und damit Personenschäden verursachen.

5. Den Zusatzstöpsel wieder festschrauben und anziehen.
6. Die Pumpe starten, um die letzten Lufttaschen in die Spitze der Pumpe zu pressen.
7. Die Pumpe stoppen.
8. Den Zusatzstöpsel wieder 1-2 Umdrehungen lockern und auslüften, bis nur noch Wasser austritt.
9. Den Zusatzstöpsel wieder festschrauben und anziehen.

Der Booster ist nun für die Inbetriebnahme bereit.

"I" auf dem Kontroll-Panel drücken (siehe Fig.4)

4. Tägliche Inbetriebnahme

4.1 Starten

1. Sicherstellen, dass der Wassereingang offen ist.
2. "I" auf dem Bedienungspaneel drücken, um die Anlage zu anschalten.

4.2 Stoppen

1. "0" an der Schalttafel drücken, um die Anlage zu stoppen.
2. Den Wassereingang schließen.
3. Luftversorgung abschließen.

BERMERKEN. Aus folgenden Gründen ist es sehr wichtig dass Sie die Wasser- und Luftversorgung immer nach Gebrauch abschalten.

- Falls die Luftversorgung offen ist, wenn die Hauptstation und die Satelliten nicht in Gebrauch sind, kann Luft in Wasserleitung sickern. Dann muss das System wieder entlüftet werden.
- Der Wasserabscheider, der einen Teil des Luftreglers ist, nur leeren, wenn die Luftversorgung abgeschlossen ist.

Nach einem längeren Produktionsstopp (Urlaub usw.) kann es notwendig sein, das Rohrsystem und die Booster Anlage wieder zu entlüften.

5. Service / Inspektion

Die Inspektion darf nur von autorisiertem und qualifiziertem Personal vorgenommen und ausgeführt werden.

Warnung! Die Inspektion am System darf erst vorgenommen werden, wenn das System von spannungs- und druckfrei ist.

1. Den Hauptschalter an der Kontrollbox abschalten (Fig.1)
2. Öffnen Sie einen Wasserausgang, um die Anlage druckfrei zu machen.

5.1 Komponenten

5.1.1 Pumpe / Motor

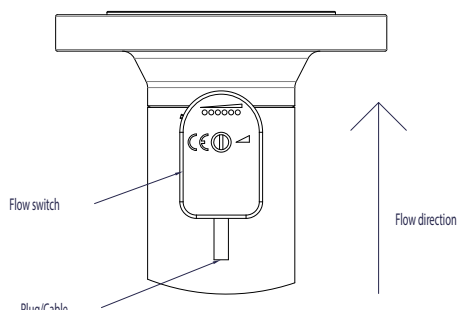
Pumpe und Motor sind beide wartungsfrei (siehe Abschnitt 2.2).

5.1.2 Kontrollsystem

Das kontrollsystem ist ebenfalls wartungsfrei. Im Fall eines Defekts, einen Servicetechniker kontaktieren.

5.1.3 Flow trigger

Der Auslössensor (Switch) ist ebenfalls wartungsfrei. Im Fall eines Defekts, wird der Auslössensor (Switch) ausgewechselt. Die Ausrichtung des Strömungsschalters muss so erfolgen, dass der Stecker/ das Kabel des Schalters der Durchflussrichtung entgegen weist.

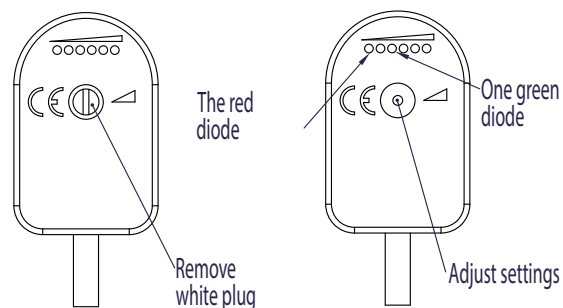


5.1.3.1 Ausrichtung des Strömungsschalters

Wenn der Strömungsschalter ausgetauscht/ installiert wird, muss er ausgerichtet werden.

1. Drücken Sie am Bedienfeld die "1", um die Maschine einzuschalten.
2. Drehen Sie den Griff "Spülen/ Schaum" an einem Satellitengerät in die Schaumstellung.
3. Aktivieren Sie den Sprühgriff am Austrittsschlauch des Satellitengerätes, sodass das Wasser austritt.
4. Prüfen Sie, dass der Strömungsschalter auf die korrekte Weise gedreht wird (der Draht muss der Flussrichtung gegenüber sein) (siehe Abbildung).
5. Entfernen Sie den weißen Stecker/ die Schraube vor der Ausrichtung (siehe Abbildung).
6. Richten Sie die Flussrichtung ein, bis eine grüne Diode aufleuchtet (siehe Abbildung).
7. Schließen Sie den Sprühgriff wieder und prüfen Sie, dass die rote Diode aufleuchtet.
8. Montieren Sie den weißen Stecker/ die Schraube wieder.

Der Strömungsschalter ist jetzt ausgerichtet.



5.1.4 Rückschlagventil / Zugangsseite

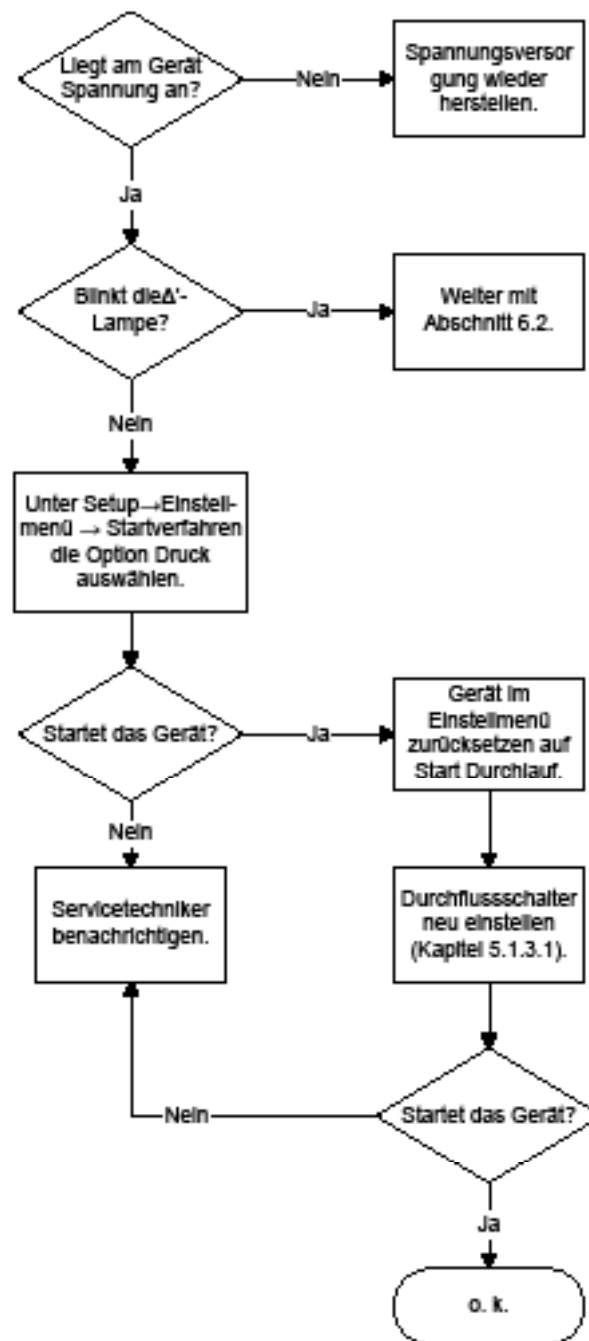
Im Fall eines Defekts, wird das Contraventil ausgewechselt.

5.2 Recycling und Entsorgung

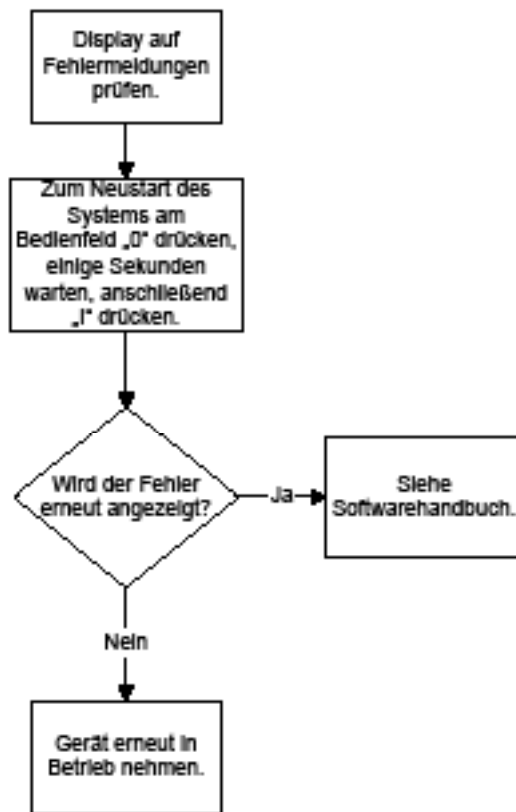
Verpackungsmaterial recyceln und ausgediente Geräte gemäß den jeweils geltenden Vorschriften entsorgen.

6. Fehlersuche

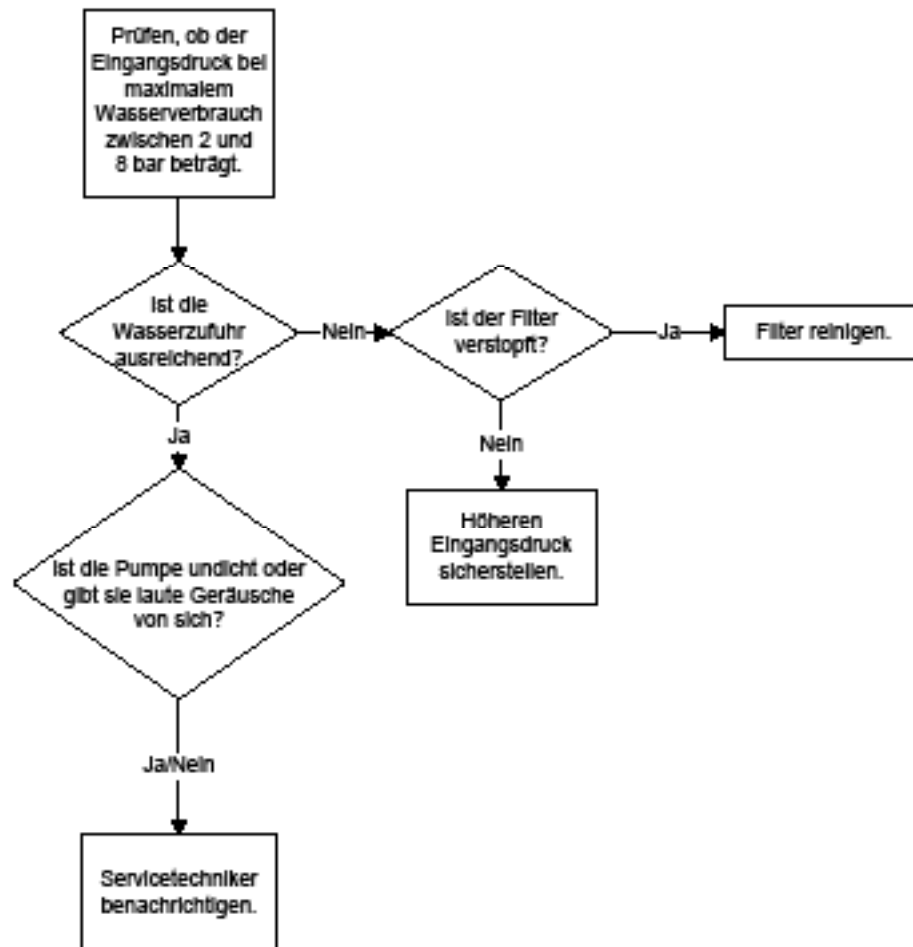
6.1 Die Anlage will nicht starten



6.2 "Δ"- Lampe an dem Kontroll-Panel leuchtet



6.3 Falls der Einlassdruck zu niedrig oder unstabil ist.



7. Empfehlenswerte Ersatzteile

Die empfohlene Ersatzteile sind im Ersatzteilmanual mit * markiert.

8. Spezifikationen

Technische Daten	Unit.	Booster/Main station.				
		Advanced*	Proff.*			
Wasser		3 (4 kW)	3 (4 kW)	4 (5.5 kW)	7 (10 kW)**	8 (11 kW)*
Max. Ausgangsdruck.	bar	25	25	25	22	25
Verbrauch bei Spülbetrieb. 1)	L/min	90	90	120	210	240
Verbrauch bei Schaumbetrieb.	L/min	30	30	40	80	80
Min. Druckzufuhr.	bar	2	2	2	2	2
Max. Druckzufuhr.	bar	8	8	8	8	8
Min. Wasserzufuhr.	L/min	100	100	135	265	265
Max. Wassertemperatur.	°C	70	70	70	70	70
Rohrmaß (Eingang) Ø	inch	1.1/4"	1.1/4"	1.1/4"	2"	2"
Rohrmaß (Ausgang) Ø	inch	1.1/4"	1.1/4"	1.1/4"	2"	2"
Elektrizität						
Stromversorgung (V Hz)*	V	3/PE 400 V±10%				
Frequenz	Hz	50/60 Hz 48 0%...62 +0%				
Bewegungslast (kW)	kW	4	4	5.5	10	10
Installation zu EN 60204-1						
Nominaler Strom	A	10.6	10,6	14.2	27	27
Sicherung	A	16	16	20	35	35
L1, L2, L3, PE	mm2	2.5	2.5	2.5	6	6
Generell						
Lautstärke ISO 11202	dB	85 dB	-	-	-	-
Maß	mm	1070 x 550 x 375	785 x 550 x 375	1074 x 557 x 382	1074 x 557 x 382	990 x 535 x 364
Gewicht (kg)	kg	85	60	75	75	80

Alle Spezifikationen beruhen auf einer 5 bars Druckzufuhr.

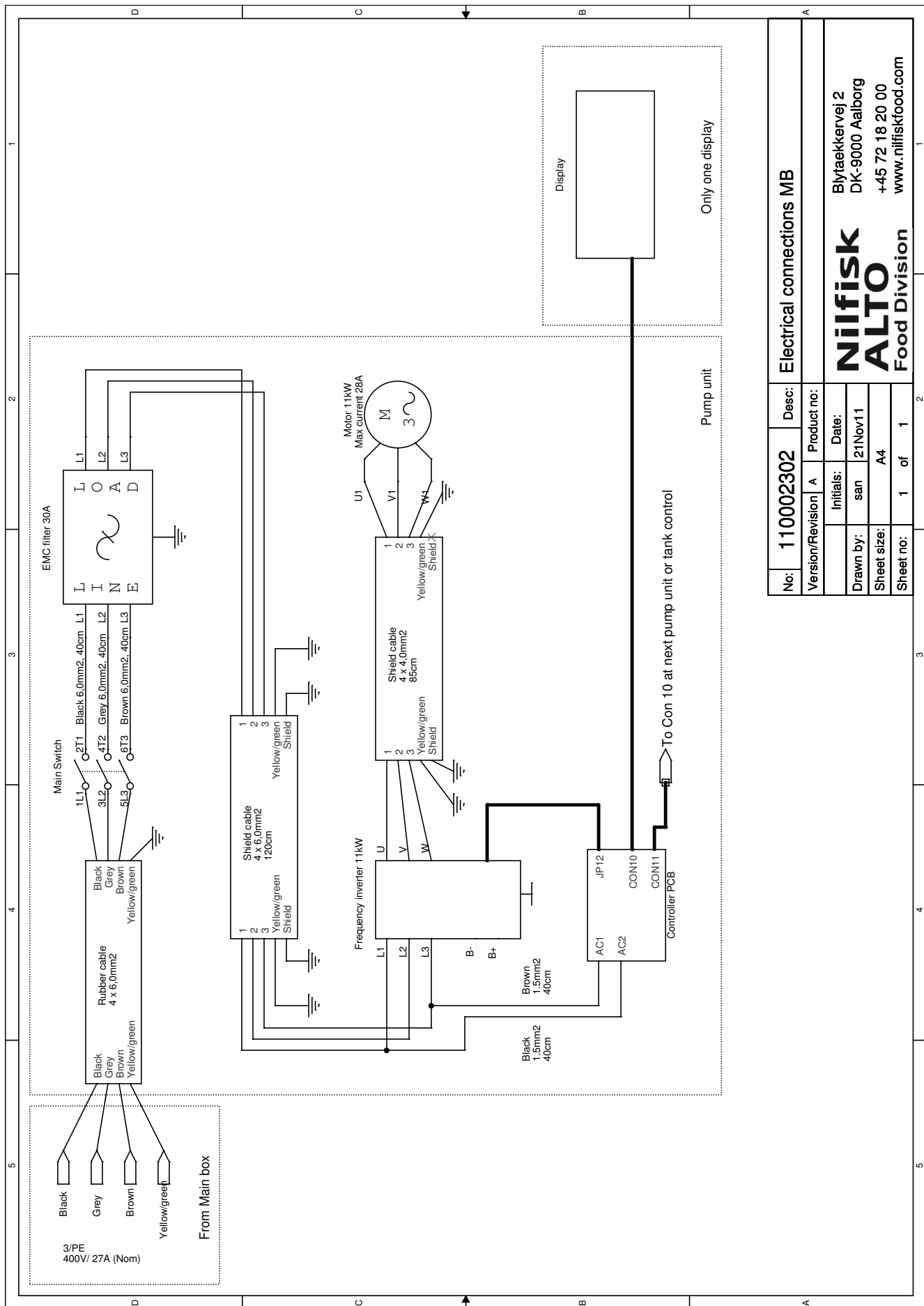
Bemerkung:

* Pumpendruck 20 bar + Zugangsdruck max. 25 bar

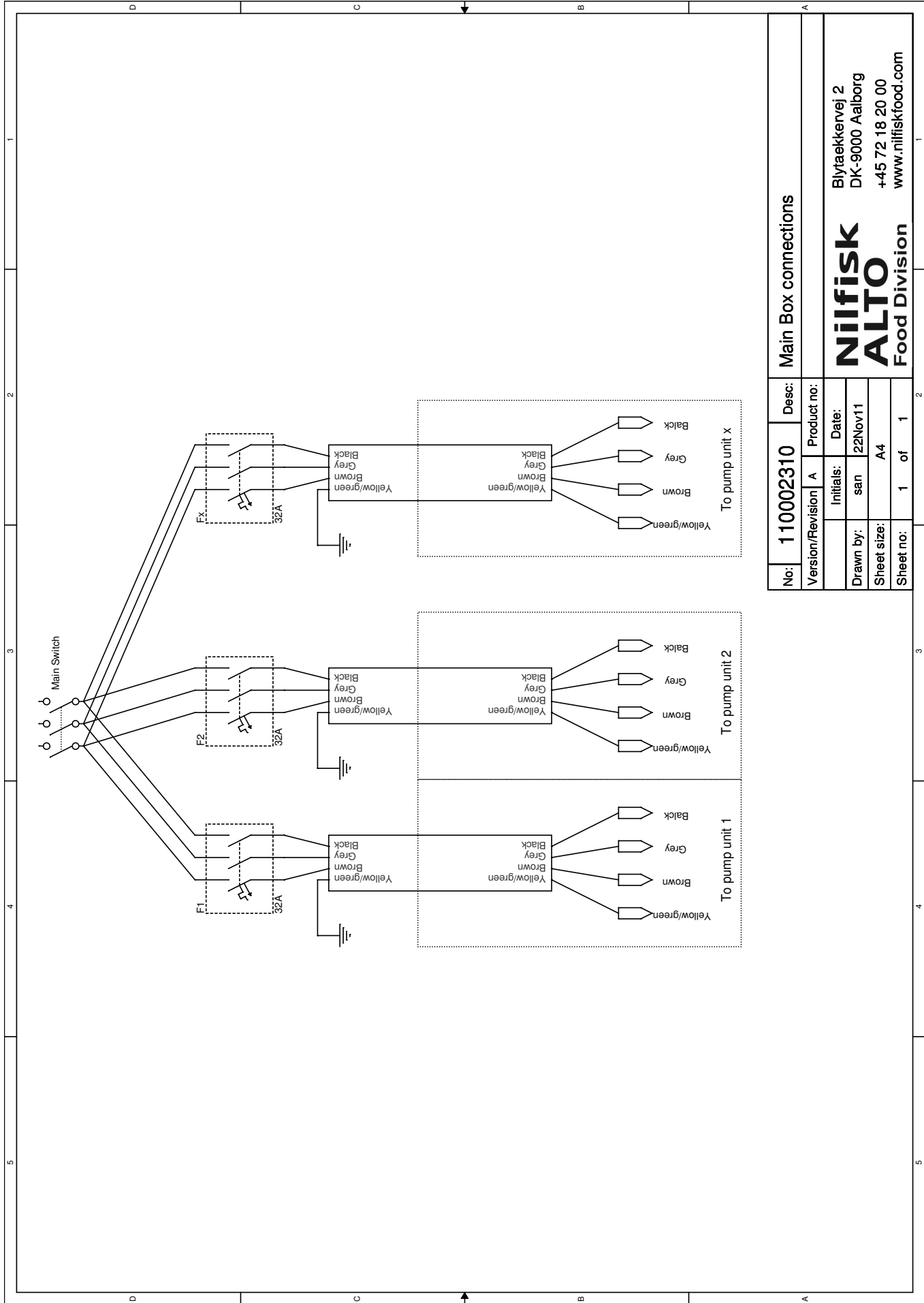
** Pumpendruck 20 bar + Zugangsdruck max. 22 bar

1) 1 Benutzer pro 30L/Min.

9. Schaltplan

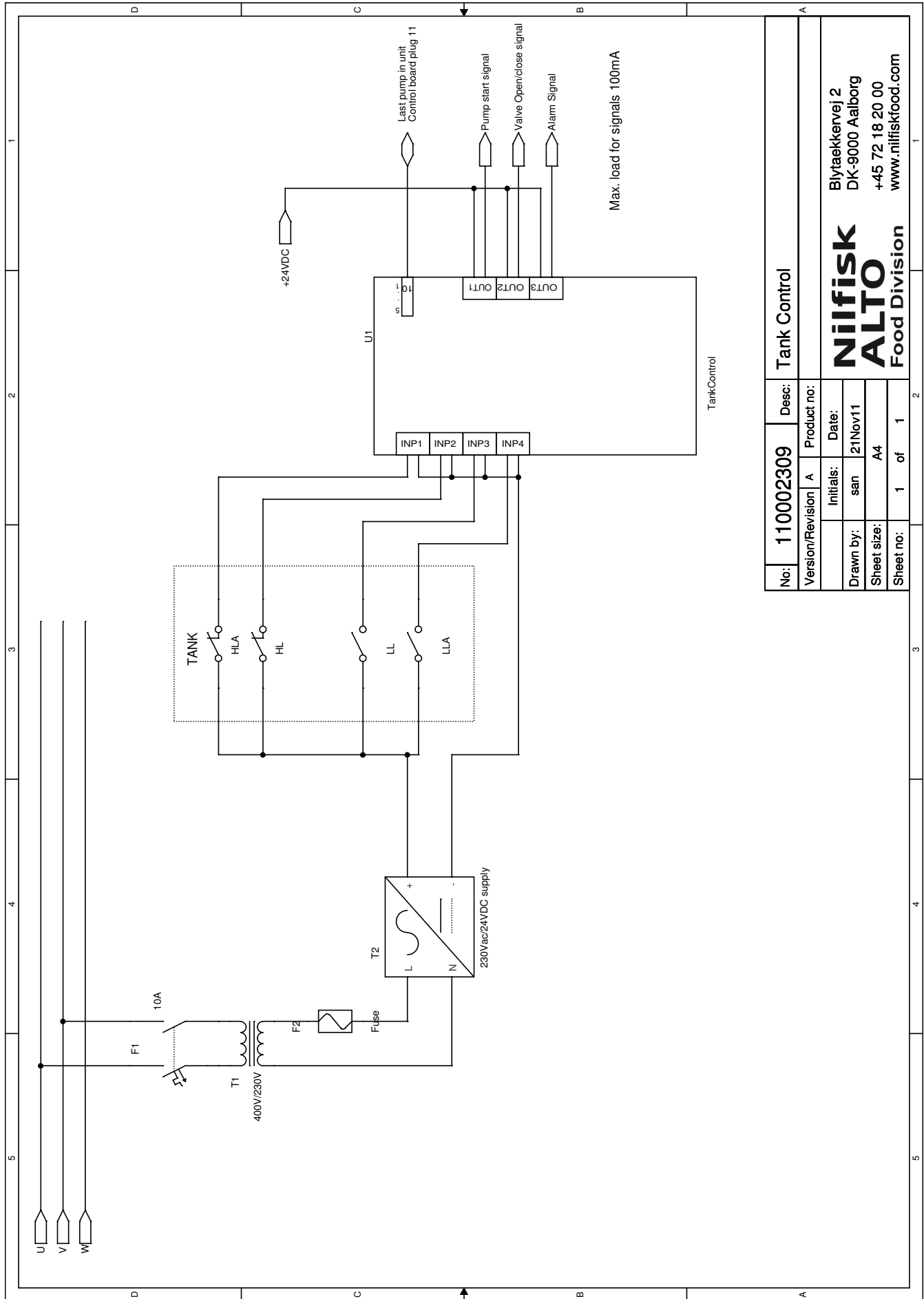


No:	11002302	Desc:	Electrical connections MB
Version/Revision:	A	Product no:	
Initials:	san	Date:	21Nov11
Drawn by:	san	Sheet size:	A4
Sheet no:	1	of	1
		Nilfisk ALTO Food Division Blytaekkervej 2 DK-9000 Aalborg +45 72 18 20 00 www.nilfiskfood.com	



No: 110002310		Desc: Main Box connections	
Version/Revision	A	Product no:	
Initials:	san	Date:	22Nov11
Drawn by:			
Sheet size:	A4		
Sheet no:	1	of	1

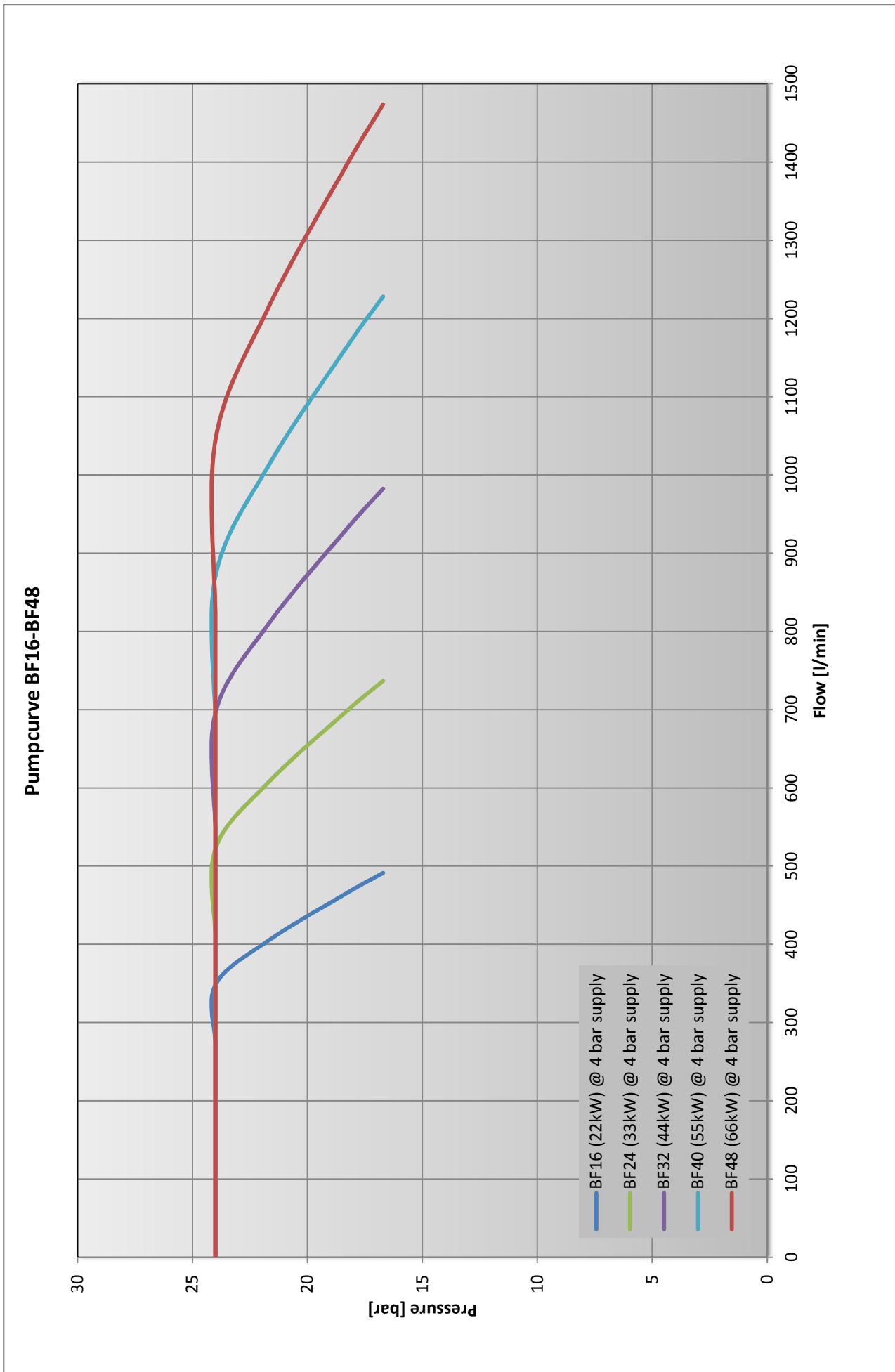
Nilfisk ALTO
 Blytaekervej 2
 DK-9000 Aalborg
 +45 72 18 20 00
 www.nifiskfood.com
 Food Division



No:	110002309		Desc:	Tank Control	
Version/Revision	A	Product no:			
Drawn by:	san	Initials:	san	Date:	21Nov11
Sheet size:	A4				
Sheet no:	1	of	1		

Nilfisk
ALTO
 Food Division
 Blytaekervej 2
 DK-9000 Aalborg
 +45 72 18 20 00
 www.nilfiskfood.com

10. Pumpenkennlinie



110000455

11. Konformitätserklärung

BF16, BF24, BF32, BF40, BF48

- ⓔ Declaration of Conformity
- ⓓ Konformitätserklärung
- ⓕ Déclaration de Conformité
- ⓓ Dichiarazione di Conformità

- ⓔ Declaración de Conformidad
- ⓓ Declaração de Conformidade
- ⓔ Δήλωση Συμμόρφωσης
- ⓓ Overeenkomstigheidsverklaring
- ⓓ Försäkran om överensstämmelse
- ⓓ Vaatimustenmukaisuusvakuutus
- ⓓ Overensstemmelseserklæring
- ⓓ Deklaracja zgodności
- ⓓ Декларация о соответствии
- ⓓ Megfelelőségi nyilatkozat
- ⓓ Izjava o skladnosti
- ⓓ Izjava o usklađenosti
- ⓓ Deklaracija o konformitetu
- ⓓ Declarație de Conformitate

Nilfisk FOOD
Blytækkervej 2
9000 Aalborg
Danmark

EN Declaration of Conformity

We Nilfisk FOOD, declare under our sole responsibility that the products BF16+, BF24+, BF32+, BF40+, BF48+, to which this declaration relates, are in conformity with these Council directives on the approximation of the laws of the EC member states:

Function: Pumping Station
Model/Type: BF16-2+, BF24-3+, BF32-4+, BF40-5+, BF48-6+.
Serial number: All

Machinery Directive (2006/42/EC:2006-05-17).
Standard used: EN 60335-2-41/A2:2010

EMC Directive (2004/108/EC:2004-12-15).
Standard used: EN 55014-1/A1:2009 and EN 55014-2/A2:2008
Standard used: EN 61000-3-2/A2:2009 and EN 61000-3-3:2008

FR Déclaration de conformité

Nous, Nilfisk FOOD, déclarons sous notre propre responsabilité que les produits BF16+, BF24+, BF32+, BF40+, BF48+, auxquels se réfère cette déclaration, sont conformes à ces directives du Conseil sur le rapprochement des législations des États membres :

Fonction : Station de pompage
Modèle/Type : BF16-2+, BF24-3+, BF32-4+, BF40-5+, BF48-6+.
Numéro de série : Tous

Directive 2006/42/CE du 17 mai 2006 relative aux machines
Normes appliquées : EN 60335-2-41/A2:2010

Directive CEM (2004/108/CE:2004-12-15).
Normes appliquées : EN 55014-1/A1:2009 et EN 55014-2/A2:2008
Normes appliquées : EN 61000-3-2/A2:2009 et EN 61000-3-3:2008

DE Konformitätserklärung

Nilfisk FOOD, als alleinverantwortlich, erklären hiermit, dass: BF16+, BF24+, BF32+, BF40+, BF48+, in Übereinstimmung mit den Richtlinien zur Angleichung der Rechtsvorschriften der Mitgliedstaaten ist:

Funktion: Pumpenstation
Modell/Typ: BF16-2+, BF24-3+, BF32-4+, BF40-5+, BF48-6+.
Seriennummer: Alle

Maschinendirektive (2006/42/EC:2006-05-17).
Standarden: EN 60335-2-41/A2:2010

EMC Direktive (2004/108/EC:2004-12-15).
Standarden: EN 55014-1/A1:2009 og EN 55014-2/A2:2008
Standarden: EN 61000-3-2/A2:2009 og EN 61000-3-3:2008

IT Dichiarazione di conformità

Nilfisk FOOD dichiara sotto la sua esclusiva responsabilità che i prodotti BF16+, BF24+, BF32+, BF40+, BF48+, ai quali fa riferimento la presente dichiarazione, sono conformi alle direttive del Consiglio concernenti il riavvicinamento delle legislazioni degli stati membri della UE:

Funzione: Stazione di pompaggio
Modello/Tipo: BF16-2+, BF24-3+, BF32-4+, BF40-5+, BF48-6+.
Numero di serie: Tutti

Direttiva Macchine (2006/42/CE:2006-05-17).
Standard utilizzato: EN 60335-2-41/A2:2010

Direttiva EMC (2004/108/CE:15.12.04).
Standard utilizzato: EN 55014-1/A1:2009 ed EN 55014-2/A2:2008
Standard utilizzato: EN 61000-3-2/A2:2009 ed EN 61000-3-3:2008

ES Declaración de Conformidad

Nosotros, Nilfisk FOOD, declaramos bajo nuestra única responsabilidad que los productos BF16+, BF24+, BF32+, BF40+, BF48+, a los que se refiere esta declaración cumplen con las directivas de este Consejo sobre la legislación de los estados miembros de la CE:

Función: Estación de bombeo
Modelo/tipo: BF16-2+, BF24-3+, BF32-4+, BF40-5+, BF48-6+.
Número de serie: All

Directiva sobre máquinas (2006/42/EC:2006-05-17).
Normativa usada: EN 60335-2-41/A2:2010

Directiva CEM (2004/108/EC:15.12.04).
Normativa usada: EN 55014-1/A1:2009 y EN 55014-2/A2:2008
Normativa usada: EN 61000-3-2/A2:2009 y EN 61000-3-3:2008

PT Declaração de Conformidade

A Nilfisk FOOD declara, por sua exclusiva responsabilidade que os produtos BF16+, BF24+, BF32+, BF40+, BF48+, referidos nesta declaração, se encontram em conformidade com estas diretivas do Conselho relativas à aproximação das disposições legislativas dos Estados-Membros da CE:

Função: Estação de bombagem
Modelo/Tipo: BF16-2+, BF24-3+, BF32-4+, BF40-5+, BF48-6+.
Número de série: Todos

Diretiva relativa às máquinas (2006/42/CE:2006-05-17).
Norma utilizada: EN 60335-2-41/A2:2010

Diretiva CEM (2004/108/CE:2004-12-15).
Norma utilizada: EN 55014-1/A1:2009 e EN 55014-2/A2:2008
Norma utilizada: EN 61000-3-2/A2:2009 e EN 61000-3-3:2008

EL Δήλωση Συμμόρφωσης

Εμείς η Nilfisk FOOD, δηλώνουμε υπό την αποκλειστική μας ευθύνη ότι τα προϊόντα BF16+, BF24+, BF32+, BF40+, BF48+, Με τον οποίο σχετίζεται αυτή η δήλωση, συμμορφώνονται με τις παρακάτω οδηγίες του συμβουλίου σχετικά με την προσέγγιση των νόμων των κρατών μελών της ΕΚ:

Λειτουργία: Σταθμός άντλησης
Μοντέλο/Τύπος: BF16-2+, BF24-3+, BF32-4+, BF40-5+, BF48-6+.
Αριθμός σειράς: Όλοι

Οδηγία περί μηχανημάτων (2006/42/EC:2006-05-17).
Χρησιμοποιούμενο πρότυπο: EN 60335-2-41/A2:2010

Οδηγία ΗΜΣ (2004/108/EC:15.12.04).
Χρησιμοποιούμενο πρότυπο: EN 55014-1/A1:2009 και EN 55014-2/A2:2008
Χρησιμοποιούμενο πρότυπο: EN 61000-3-2/A2:2009 και EN 61000-3-3:2008

NL Overeenkomstigheidsverklaring

Wij, Nilfisk FOOD, verklaren geheel onder eigen verantwoordelijkheid dat de producten BF16+, BF24+, BF32+, BF40+, BF48+, waarop deze verklaring betrekking heeft, in overeenstemming zijn met de volgende Richtlijnen van de Raad betreffende de onderlinge aanpassing van de wetgevingen van de EG-lidstaten:

Functie: Pompinstallatie
Model/Type: BF16-2+, BF24-3+, BF32-4+, BF40-5+, BF48-6+.
Serienummer: Alle

Machinerichtlijn (2006/42/EG:17-05-2006).
Toegepaste norm: EN 60335-2-41/A2:2010

EMC-richtlijn (2004/108/EG:15-12-2004).
Toegepaste norm: EN 55014-1/A1:2009 en EN 55014-2/A2:2008
Toegepaste norm: EN 61000-3-2/A2:2009 en EN 61000-3-3:2008

SV Försäkran om överensstämmelse

Vi Nilfisk FOOD, tillkännager, under eget ansvar, att produkterna BF16+, BF24+, BF32+, BF40+, BF48+, som omfattas av denna försäkran, är i överensstämmelse med rådets direktiv om tillnärmning av medlemsstaternas lagstiftning i EG:

Funktion: Pumpstation
Modell/typ: BF16-2+, BF24-3+, BF32-4+, BF40-5+, BF48-6+.
Serienummer: Alla

Maskindirektiv (2006/42/EC:2006-05-17).
Standard som används: EN 60335-2-41/A2:2010

EMC-direktivet (2004/108/EG :2004-12-15).
Standard som används: EN 55014-1/A1:2009 och EN 55014-2/A2:2008
Standard som används: EN 61000-3-2/A2:2009 och EN 61000-3-3:2008

FI Vaatimustenmukaisuusvakuutus

Me Nilfisk FOOD vakuutamme yksinomaisella vastuulla, että tuotteet BF16+, BF24+, BF32+, BF40+, BF48+, jota tämä vakuutus koskee, noudattavat direktiivejä, jotka käsittelevät EY:n jäsenvaltioiden lakien yhdenmukaisuutta koskien seuraavia:

Toiminto: Pumpuasema
Malli/tyyppi: BF16-2+, BF24-3+, BF32-4+, BF40-5+, BF48-6+.
Sarjanumero: Kaikki

Konedirektiivi (2006/42/EY:2006-05-17).
Käytetty standardi: EN 60335-2-41/A2:2010

EMC-direktiivi (2004/108/EY:2004-12-15).
Käytetty standardi: EN 55014-1/A1:2009 ja EN 55014-2/A2:2008
Käytetty standardi: EN 61000-3-2/A2:2009 ja EN 61000-3-3:2008

DA Overensstemmelseserklæring

Nilfisk FOOD, erklærer under eneansvar, at produktet: BF16+, BF24+, BF32+, BF40+, BF48+, som denne erklæring vedrører, er i overensstemmelse med følgende direktiver om tilnærmelse af EU medlemslandenes love:

Function: Pumping Station
Model/Type: BF16-2+, BF24-3+, BF32-4+, BF40-5+, BF48-6+.
Serial number: All

Machinery Directive (2006/42/EC:2006-05-17).
Standard used: EN 60335-2-41/A2:2010

EMC Directive (2004/108/EC:2004-12-15).
Standard used: EN 55014-1/A1:2009 and EN 55014-2/A2:2008
Standard used: EN 61000-3-2/A2:2009 and EN 61000-3-3:2008

RU Декларация о соответствии

Мы, Nilfisk FOOD, принимая на себя всю ответственность, заявляем, что продукты Усовершенствованная BF16+, BF24+, BF32+, BF40+, BF48+, которых касается настоящая декларация, соответствуют данным директивам Совета о приблизительном соответствии законам стран-членов СЕ:

Функциональное назначение: Насосная станция
Модель/Тип: BF16-2+, BF24-3+, BF32-4+, BF40-5+, BF48-6+.
Серийный номер: все

Директива машин (2006/42/EC:17-05-2006).
Используемый стандарт: EN 60335-2-41/A2:2010

Директива ЭМС (2004/108/EC:15-12-2004).
Используемый стандарт: EN 55014-1/A1:2009 и EN 55014-2/A2:2008
Используемый стандарт: EN 61000-3-2/A2:2009 и EN 61000-3-3:2008

SL Izjava o skladnosti

V Nilfisk FOODu s polno odgovornostjo izjavljamo, da so naši izdelki BF16+, BF24+, BF32+, BF40+, BF48+, na katere se ta izjava nanaša, v skladu z naslednjimi direktivami Sveta o približevanju zakonodaje za izenačevanje pravnih predpisov držav članic ES:

Funkcija: Črpalna postaja
Model/Tip: BF16-2+, BF24-3+, BF32-4+, BF40-5+, BF48-6+.
Serijska številka: Vse

Direktiva o strojih (2006/42/EC:2006-05-17).
Uporabljeni standardi: EN 60335-2-41/A2:2010

Direktiva o elektromagnetni združljivosti (2004/108/EC:2004-12-15).
Uporabljeni standardi: EN 55014-1/A1:2009 and EN 55014-2/A2:2008
Uporabljeni standardi: EN 61000-3-2/A2:2009 and EN 61000-3-3:2008

PL Deklaracja zgodności

Firma Nilfisk ALTO z pełną odpowiedzialnością oświadcza, że produkty BF16+, BF24+, BF32+, BF40+, BF48+, których dotyczy ta deklaracja, spełniają wymogi poniższych dyrektywa Rady zgodnymi z prawem obowiązującym państwa członkowskie UE:

Funkcja: Stacja pompująca
Model/typ BF16-2+, BF24-3+, BF32-4+, BF40-5+, BF48-6+.
Numer seryjny: Wszystkie

Dyrektywa Maszynowa (2006/42/EC:2006-05-17).
Stosowana norma: EN 60335-2-41/A2:2010

Dyrektywa w sprawie kompatybilności elektromagnetycznej (2004/108/EC:15.12.04).
Stosowane normy: EN 55014-1/A1:2009 i EN 55014-2/A2:2008
Stosowane normy: EN 61000-3-2/A2:2009 i EN 61000-3-3:2008

HU Megfelelőségi nyilatkozat

Mi, a Nilfisk FOOD, kizárólagos felelősségünk tudatában kijelentjük, hogy a BF16+, BF24+, BF32+, BF40+, BF48+, amelyekre ez a nyilatkozat vonatkozik, megfelelnek az EU tagállamok törvényi rendelkezéseinek közelítéséről szóló tanácsi irányelveknek:

Funkció: Szivattyútelep
Modell/Típus: BF16-2+, BF24-3+, BF32-4+, BF40-5+, BF48-6+.
Sorozatszám: Összes

Gépekre vonatkozó irányelv (2006/42/EC:2006-05-17).
Alkalmazott szabvány: EN 60335-2-41/A2:2010

EMC irányelv (2004/108/EC:2004-12-15).
Alkalmazott szabvány: EN 55014-1/A1:2009 és EN 55014-2/A2:2008
Alkalmazott szabvány: EN 61000-3-2/A2:2009 és EN 61000-3-3:2008

HR Izjava o usklađenosti

Mi, Nilfisk FOOD, izjavljujemo pod vlastitom odgovornošću da je proizvod BF16+, BF24+, BF32+, BF40+, BF48+, na koji se ova izjava odnosi, u skladu s direktivama ovog Vijeća o usklađivanju zakona država članica EU:

Funkcija: Pumpna postaja
Model/vrsta: BF16-2+, BF24-3+, BF32-4+, BF40-5+, BF48-6+.
Serijski broj: Svi

Izjava o strojevima (2006/42/EC:2006-05-17).
Primijenjena norma: EN 60335-2-41/A2:2010

Izjava o elektromagnetskoj kompatibilnosti (2004/108/EC:2004-12-15).
Primijenjena norma: EN 55014-1/A1:2009 i EN 55014-2/A2:2008
Primijenjena norma: EN 61000-3-2/A2:2009 i EN 61000-3-3:2008

SR Deklaracija o konformitetu

Mi, Nilfisk FOOD, izjavljujemo pod vlastitom odgovornošću da je proizvod BF16+, BF24+, BF32+, BF40+, BF48+, na koji se ova izjava odnosi, u skladu sa direktivama, Saveta za usklađivanje zakona država članica EU:

Funkcija: Stanica za pumpanje
Model/tip: BF16-2+, BF24-3+, BF32-4+, BF40-5+, BF48-6+.
serijski broj: Kompletna

direktiva o mašinama (2006/42/EC:2006-05-17).
Primenjen standard: EN 60335-2-41/A2:2010

EMC direktiva (2004/108/EC:2004-12-15).
Primenjen standard: EN 55014-1/A1:2009 i EN 55014-2/A2:2008
Primenjen standard: EN 61000-3-2/A2:2009 i EN 61000-3-3:2008

RO Declarație de Conformitate

Noi, Nilfisk FOOD, declarăm pe propria răspundere că produsele BF16+, BF24+, BF32+, BF40+, BF48+, la care se referă această declarație, sunt în conformitate cu aceste Directive de Consiliu asupra armonizării legilor Statelor Membre CE:

Funcție: Stație de igienizare și de pompare
Model/Tip: BF16-2+, BF24-3+, BF32-4+, BF40-5+, BF48-6+.
Număr de serie: toate

Directiva Mașini (2006/42/EC:2006-05-17).
Standarde utilizate: EN 60335-2-41/A2:2010

Directiva EMC (2004/108/EC:15.12.04).
Standarde utilizate: EN 55014-1/A1:2009 și EN 55014-2/A2:2008
Standarde utilizate: EN 61000-3-2/A2:2009 și EN 61000-3-3:2008

BG Декларация за съответствие

Ние, фирма Nilfisk FOOD, заявяваме с пълна отговорност, че продуктите BF16+, BF24+, BF32+, BF40+, BF48+, за които се отнася настоящата декларация, отговарят на следните указания на Съвета за уеднаквяване на правните разпоредби на държавите членки на ЕС:

Функция: Помпена станция
Модел/Тип: BF16-2+, BF24-3+, BF32-4+, BF40-5+, BF48-6+.
Сериен номер: Всички

Директива относно машините (2006/42/EO: 17.05.2006 г.).
Използван стандарт: EN 60335-2-41/A2:2010

Директива относно електромагнитната съвместимост (2004/108/EO: 15.12.2004 г.).
Използван стандарт: EN 55014-1/A1:2009 и EN 55014-2/A2:2008
Използван стандарт: EN 61000-3-2/A2:2009 и EN 61000-3-3:2008

CS Prohlášení o shodě

My firma Nilfisk FOOD prohlašujeme na svou plnou odpovědnost, že výrobky BF16+, BF24+, BF32+, BF40+, BF48+, na něž se toto prohlášení vztahuje, jsou v souladu s ustanoveními směrnice Rady pro sblížení právních předpisů členských států Evropského společenství v oblastech:

Funkce: Čerpací stanice
Model/Typ: BF16-2+, BF24-3+, BF32-4+, BF40-5+, BF48-6+.
Výrobní číslo: Všechna

Směrnice o strojních zařízeních (2006/42/EC:2006-05-17).
Použitá norma: EN 60335-2-41/A2:2010

Směrnice EMC (2004/108/EC:2004-12-15).
Použitá norma: EN 55014-1/A1:2009 a EN 55014-2/A2:2008
Použitá norma: EN 61000-3-2/A2:2009 a EN 61000-3-3:2008

SK Prehlásenie o konformite

My firma Nilfisk FOOD prehlasujeme na svoju plnú zodpovednosť, že výrobky BF16+, BF24+, BF32+, BF40+, BF48+, na ktoré sa toto prehlásenie vzťahuje, sú v súlade s ustanovením smernice Rady pre zblíženie právnych predpisov členských štátov Európskeho spoločenstva v oblastiach:

Funkcia: Čerpacia stanica
Model/tip: BF16-2+, BF24-3+, BF32-4+, BF40-5+, BF48-6+.
Sériové číslo: Všetky

Smernica o strojních zariadeniach (2006/42/ES: 17.5.2006).
Použitá norma: EN 60335-2-41/A2: 2010

Smernica o elektromagnetickej kompatibilite (2004/108/ES: 15.12.2004).
Použitá norma: EN 55014-1/A1: 2009 a EN 55014-2/A2: 2008
Použitá norma: EN 61000-3-2/A2: 2009 a EN 61000-3-3: 2008

TR Uygunluk Bildirgesi

Nilfisk FOOD olarak bu beyannameye konu olan BF16+, BF24+, BF32+, BF40+, BF48+, ürünlerinin, AB Üyesi Ülkelerin kanunlarını birbirine yaklaştırma üzerine Konsey Direktifleriyle uyumlu olduğunu yalnızca bizim sorumluluğumuz altında olduğunu beyan ederiz:

Fonksiyon: Pompalama İstasyonu
Model/Tip: BF16-2+, BF24-3+, BF32-4+, BF40-5+, BF48-6+.
Seri numarasi: Tümü

Makine Direktifi (2006/42/EC:2006-05-17).
Kullanılmış standartlar: EN 60335-2-41/A2:2010

EMC Direktifi (2004/108/EC:2004-12-15).
Kullanılmış standartlar: EN 55014-1/A1:2009 ve EN 55014-2/A2:2008
Kullanılmış standartlar: EN 61000-3-2/A2:2009 ve EN 61000-3-3:2008

ET Vastavusdeklaratsioon

Meie, Nilfisk FOOD, deklareerime enda ainuvastutusel, et tooted BF16+, BF24+, BF32+, BF40+, BF48+, mille kohta käesolev juhend käib, on vastavuses EÜ Nõukogu direktiividega EMÜ liikmesriikide seaduste ühitamise kohta, mis käsitlevad:

Funktsioon: Pumbajaam
Mudel/tüüp: BF16-2+, BF24-3+, BF32-4+, BF40-5+, BF48-6+.
Seerianumber: kõik

Masinaidirektiiv (2006/42/EÜ:2006-05-17).
Kasutatav standard: EN 60335-2-41/A2:2010

Elektromagnetilise ühilduvuse (EMC) direktiiv (2004/108/EÜ:2004-12-15).
Kasutatav standard: EN 55014-1/A1:2009 ja EN 55014-2/A2:2008
Kasutatav standard: EN 61000-3-2/A2:2009 ja EN 61000-3-3:2008

LT Atitikties deklaracija

Mes, Nilfisk FOOD, su visa atsakomybe pareiškiame, kad gaminiai BF16+, BF24+, BF32+, BF40+, BF48+, kuriems skirta ši deklaracija, atitinka šias Tarybos Direktyvas dėl Europos Ekonominės Bendrijos šalių narių įstatymų suderinimo:

Paskirtis: Pumpavimo terminalas
Modelis / tipas: BF16-2+, BF24-3+, BF32-4+, BF40-5+, BF48-6+.
Serijos numeris: visi

Mašinų direktyvą (2006/42/EB:2006-05-17),
taikytas standartas: EN 60335-2-41/A2:2010;

Elektromagnetinio suderinamumo direktyvą (2004/108/EB:2004-12-15),
taikytas standartas: EN 55014-1/A1:2009 ir EN 55014-2/A2:2008,
taikytas standartas: EN 61000-3-2/A2:2009 ir EN 61000-3-3:2008

LV Paziņojums par atbilstību prasībām

Sabiedrība Nilfisk FOOD ar pilnu atbildību dara zināmu, ka produkti BF16+, BF24+, BF32+, BF40+, BF48+, uz kuriem attiecas šis paziņojums, atbilst šādām Padomes direktīvām par tuvināšanos EK dalībvalstu likumdošanas normām:

Funkcija: Sūkņa stacija
Modelis/tips: BF16-2+, BF24-3+, BF32-4+, BF40-5+, BF48-6+.
Sērijas numurs: visi.

Mašīnu direktīva (2006/42/EK, 17.05.2006.)
Izmantotais standarts: EN 60335-2-41/A2:2010

Elektromagnētiskās savietojamības direktīva (2004/108/EK, 15.12.2004.)
Izmantotais standarts: EN 55014-1/A1:2009 un EN 55014-2/A2:2008
Izmantotais standarts: EN 61000-3-2/A2:2009 un EN 61000-3-3:2008

UK Свідчення про відповідність вимогам

Компанія Nilfisk FOOD заявляє про свою виключну відповідальність за те, що продукти BF16+, BF24+, BF32+, BF40+, BF48+, на які поширюється дана декларація, відповідають таким рекомендаціям Ради з уніфікації правових норм країн -членів ЕС:

Функція: Насосна станція
Модель/Тип: BF16-2+, BF24-3+, BF32-4+, BF40-5+, BF48-6+.
Серійний номер: усі

Директива щодо машинного обладнання (2006/42/ЕС:2006-05-17).
Використаний стандарт: EN 60335-2-41/A2:2010

Директива щодо електромагнітної сумісності (2004/108/ЕС:2004-12-15).
Використаний стандарт: EN 55014-1/A1:2009 та EN 55014-2/A2:2008
Використаний стандарт: EN 61000-3-2/A2:2009 та EN 61000-3-3:2008

Technical file responsible:

Flemming Asp
Nilfisk FOOD
Blytaekkervej 2
9000 Aalborg, Denmark

Table des matières FR

1. Description.....	3
1.1 Multi Booster De Disposition BF16 - BF24	4
1.2 Multi Booster De Disposition BF32 - BF40 - BF48.....	5
1.3 Diagrammes de fonctionnement Multi Booster BF16 - BF24 - BF32 - BF40 - BF48	6
2. Entretien	7
2.1 Filtre	7
2.2 Arrêts prolongés.....	7
3. Système neuf.....	7
3.1 Unités neuves	7
4. Opérations quotidiennes.....	7
4.1 Démarrage	7
4.2 Arrêt	7
5. Révision.....	8
5.1 Composants	8
5.1.1 Pompe/moteur.....	8
5.1.2 Système de commande	8
5.1.3 Déclencheur de débit	8
5.1.4 Non-return valve/intake side	8
5.2 Recyclage et mise au rebut.....	8
6. Localisation des défauts.....	9
6.1 L'unité de démarre pas.....	9
6.2 Le voyant "Δ" sur le panneau de commande est allumé.....	10
6.3 Pression trop faible ou instable.....	10
7. Pièces de rechange conseillées	11
8. Spécifications	11
9. Diagramme électrique	12
10. Courbe de pompe.....	15
11. Déclaration de Conformité.....	16



1. Description

Le Booster de la série Chameleon Plus est une unité de pompage entièrement opérationnelle alimentant en eau sous pression des unités de nettoyage satellites connectées. Par conséquent le propulseur doit être fourni avec de l'eau dans la quantité et la puissance suffisantes selon des caractéristiques.

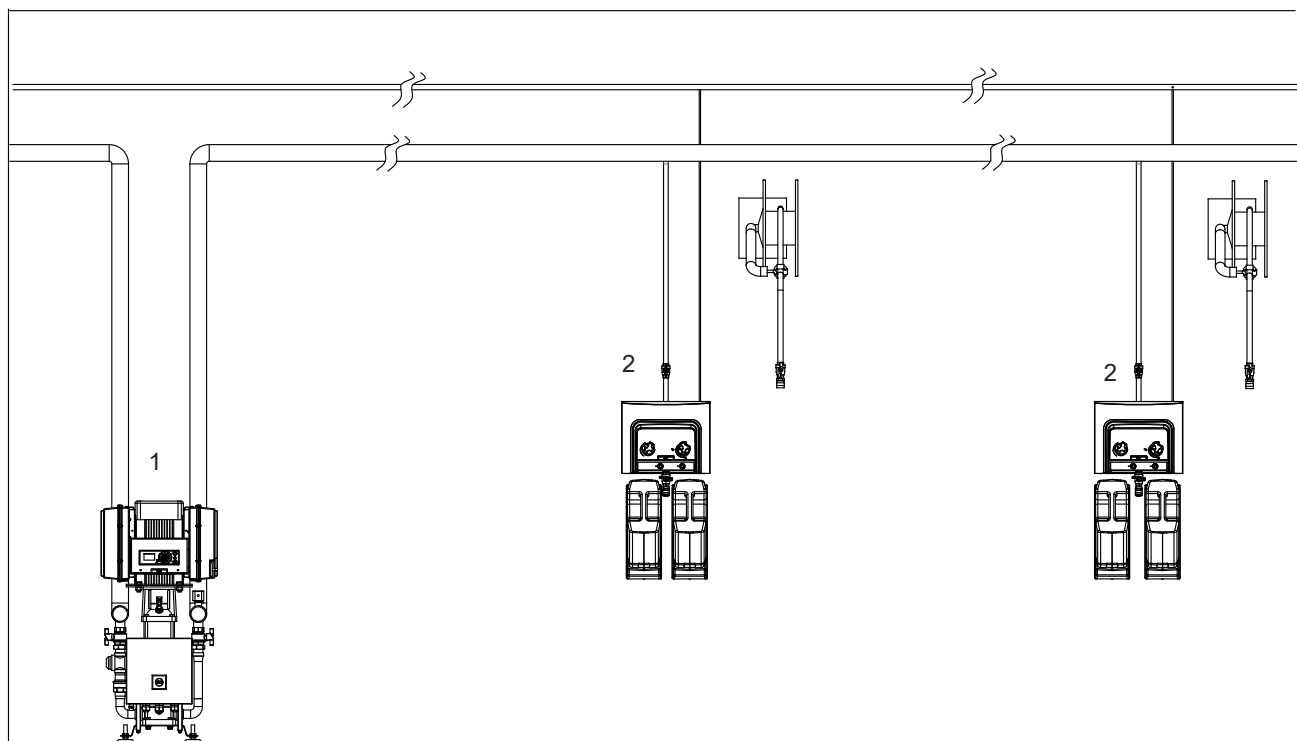
L'unité est alors prête pour le nettoyage.

Le booster est équipé d'une pompe à fréquence contrôlée assurant une pression de travail constante quel que soit le rythme d'utilisation.

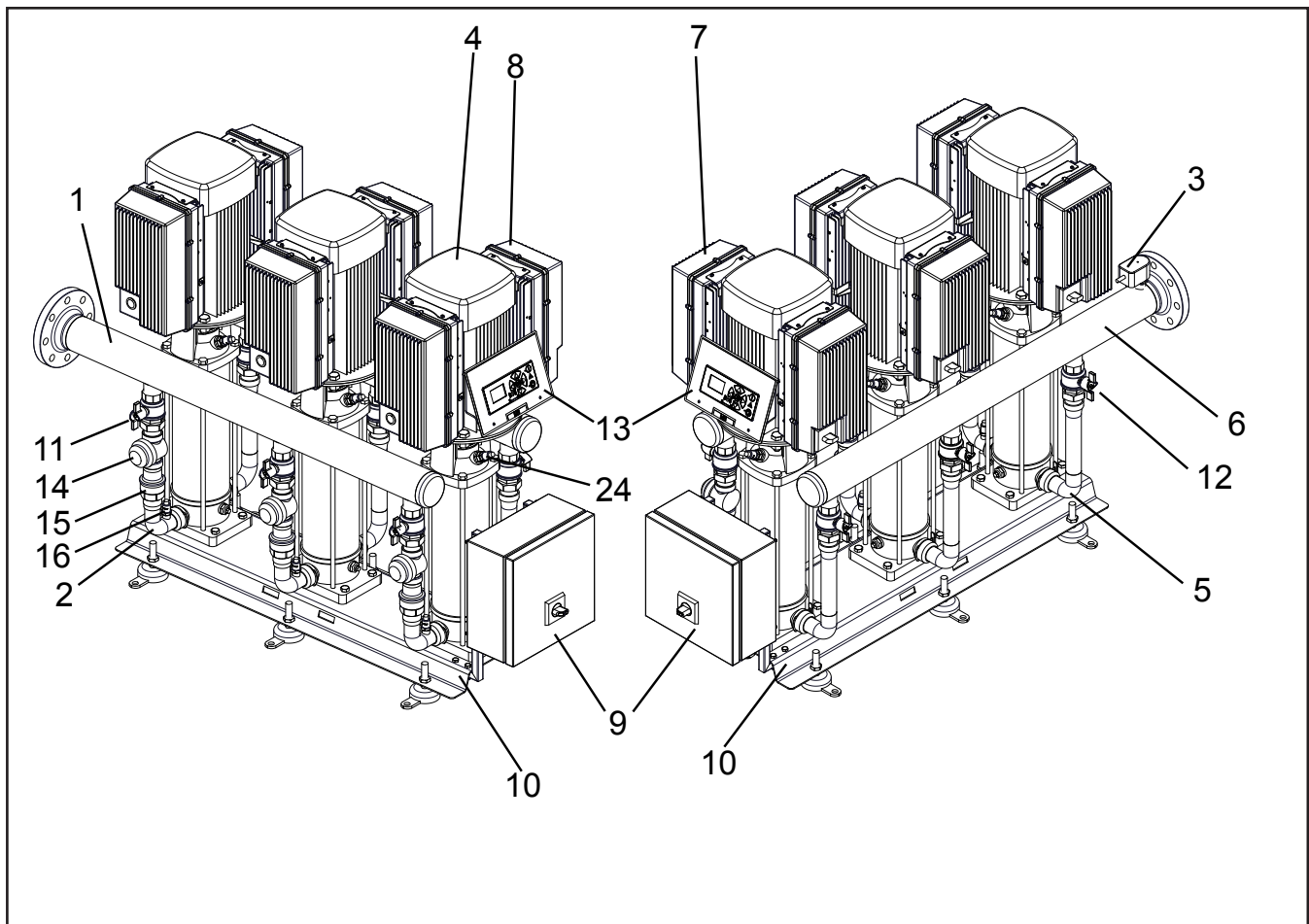
Important Ne pas utiliser l'eau du système pour des applications autres que le nettoyage.

Une installation typique de propulseur de plancher est montrée dans fig. 2

- Booster (1)
- Unité satellite (2)



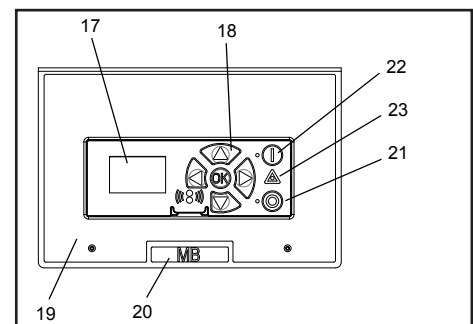
110002180



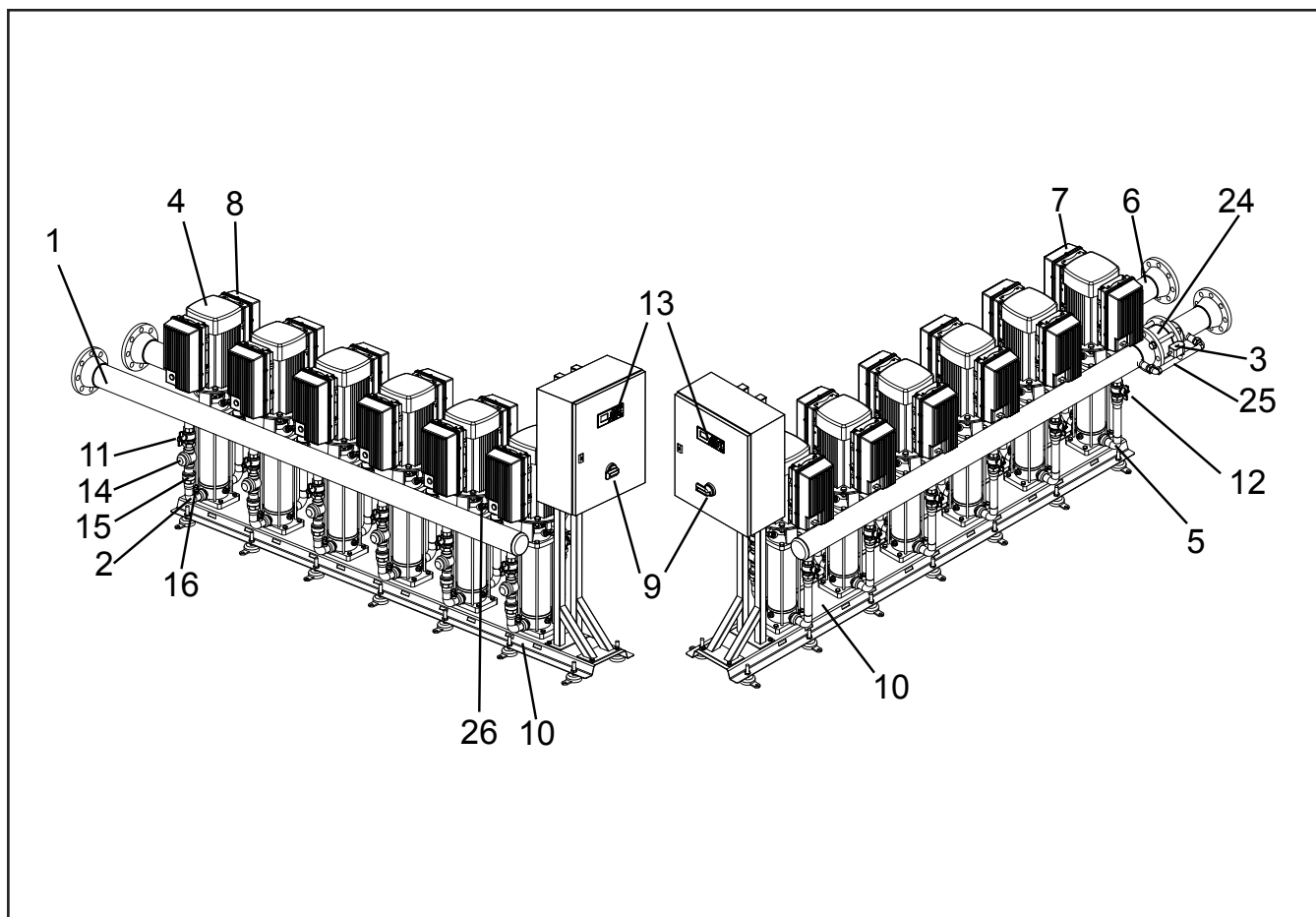
110002115

1.1 Multi Booster BF16 - BF24

1. Admission eau
2. Entrée collecteur
3. Détecteur d'écoulement
4. Pompe
5. Sortie collecteur
6. Conduit de sortie
7. Boîte d'inverseur
8. Boîte de filtre
9. Boîte électrique de raccordement
10. Parenthèse de plancher
11. Valve à bille d'admission
12. Valve à bille de sortie
13. Panneau de commande
14. Crépine
15. Valve non de retour
16. Capteur de pression
17. Affichage
18. Buttons de navigation
19. Étiquette
20. Étiquette Nommée
21. •● Bouton-poussoir. Arrêt
22. •I Bouton-poussoir. Démarrage
23. •△ Voyant. Allumé en cas d'erreur
24. Capteur de pression



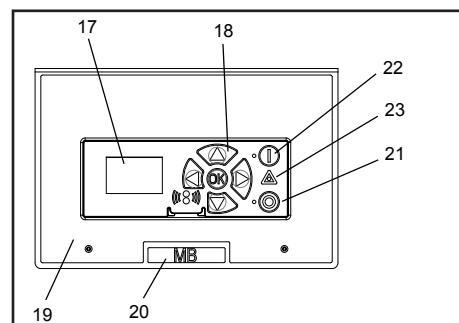
110002183



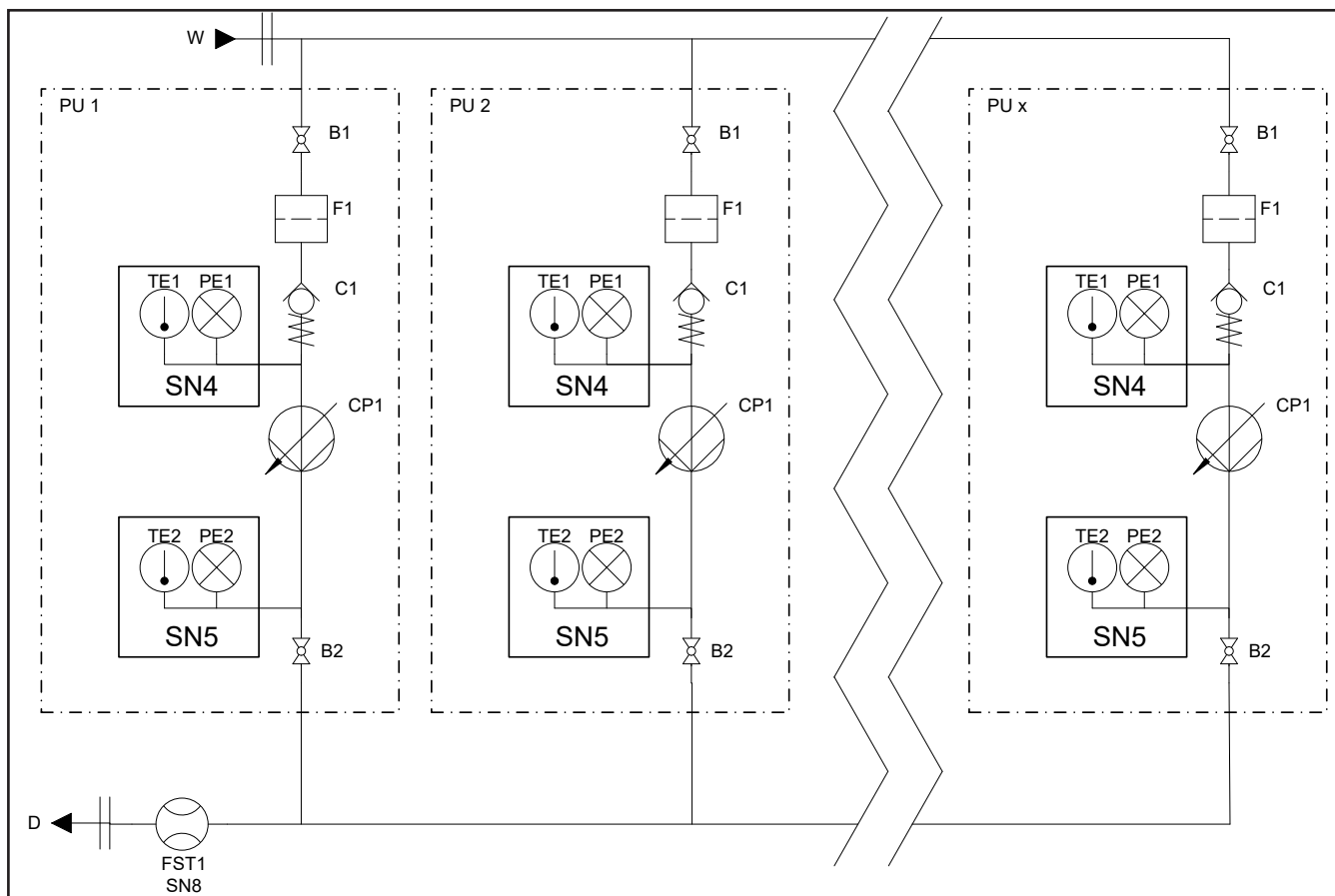
110002116

1.2 Multi Booster BF32-BF40-BF48

1. Admission eau
2. Entrée collecteur
3. Détecteur d'écoulement
4. Pompe
5. Sortie collecteur
6. Conduit de sortie
7. Boîte d'inverseur
8. Boîte de filtre
9. Boîte électrique de raccordement
10. Parenthèse de plancher
11. Valve à bille d'admission
12. Valve à bille de sortie
13. Panneau de commande
14. Crépine
15. Valve non de retour
16. Capteur de pression
17. Affichage
18. Boutons de navigation
19. Étiquette
20. Étiquette Nommée
21. • O Bouton-poussoir. Arrêt
22. • I Bouton-poussoir. Démarrage
23. • Δ Voyant. Allumé en cas d'erreur
24. Clapet de retenue pour dérivation
25. Dérivation
26. Capteur de pression



110002183



110002307

1.3 Diagrammes de fonctionnement conformément à ISO14617

Multi Booster BF16 - BF24 - BF32 - BF40 - BF48

- B. Clapet à bille.
- F. Filtre
- FST. Contacteur débitmétrique.
- C. Clapet de retenue.
- PE. Capteur de pression.
- TE. Capteur température.
- CP. Pompe centrifuge.
- D. Sortie.
- PU. Unité de pompe.
- W. Admission eau.
- SN. Nr de douille.

2. Entretien

Le Booster ne nécessite aucun entretien. Il faut cependant le nettoyer comme les autres unités voisines. Nettoyer le filtre suivant des intervalles appropriés (env. 1 à 3 mois) selon la teneur en impuretés de l'eau.

2.1 Filtre

1. Appuyer sur "0" sur le panneau de commande pour arrêter le Booster.
2. Appuyer sur l'interrupteur principal (Fig. 1).

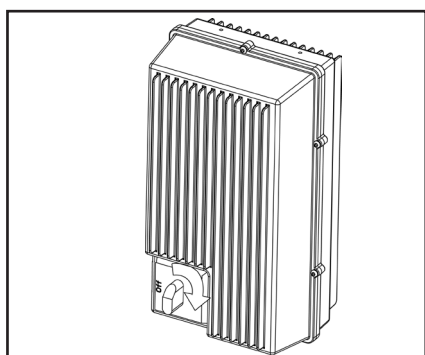


Fig. 1 0627106

3. Fermer l'admission d'eau.
4. Ouvrir le robinet pour relâcher la pression dans le système.
5. Retirer le filtre (A, Fig.2) et placez-le dans une solution de détartrage. Remarque : les systèmes MB ne sont pas fournis avec un filtre monté à l'usine. Au cas où un filtre est monté dans un système MB, la procédure de détartrage est telle qu'elle est décrite ci-dessus.
6. Rincer à fond le filtre d'épuration et le remonter.
7. Maillage min. du filtre 800µ -> 1500µ.

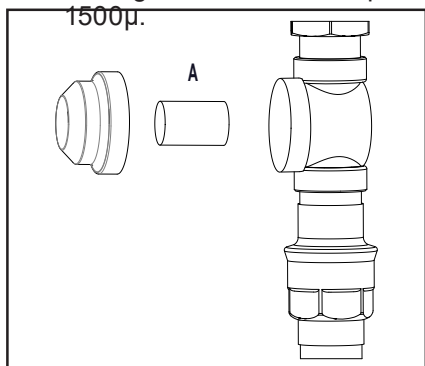


Fig. 2 110002117

2.2 Arrêts prolongés

Si des arrêts de production prolongés sont prévus (plus de 6 mois) et qu'il n'y a plus d'eau dans la pompe, il est conseillé de sécuriser la pompe de la manière suivante :

1. retirer la protection de sécurité du raccord
2. pulvériser quelques gouttes d'huile de silicone sur l'axe entre la section supérieure et le raccord.

Suivre attentivement les instructions indiquées dans le manuel du fabricant de la pompe.

3. Démarrage

3.1 Système neuf

Pour assurer que le démarrage d'un système neuf s'effectue sans problème, rincer et purger la tuyauterie.

Purge de la tuyauterie

1. Ouvrir l'alimentation en eau pour rincer et purger tout le système. Si des unités satellites sont installées, ouvrir le robinet le plus éloigné jusqu'à l'évacuation complète de l'air ou des saletés. Rincer et purger le robinet suivant et continuer ainsi jusqu'à ce que le robinet le plus proche de vous soit rincé et purgé.
2. Monter les unités satellites éventuelles.

Purge de la pompe

3. Appuyer sur "0" sur le panneau de commande pour arrêter le Booster.
4. Desserrer le bouchon de surpression (A, Fig 3) de 1 à 2 tours jusqu'à ce que l'air et l'eau commencent à s'échapper.

Remarque - Ne détachez jamais la prise de soulagement tandis que la pompe fonctionne pendant que ceci peut endommager l'emballage et causer le dommage corporel.

5. Resserrer le bouchon de surpression.

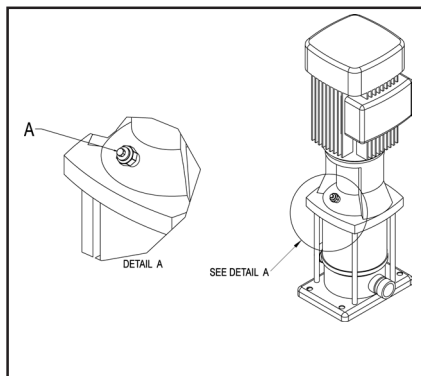


Fig. 3 0627131

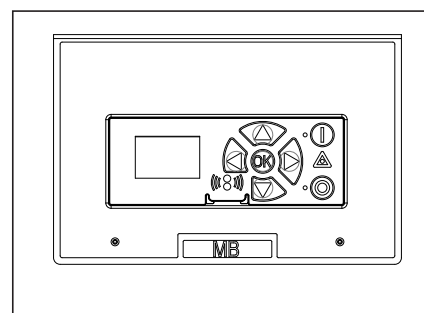


Fig. 4

110002183

6. Démarrer la pompe pour permettre à toutes les poches d'air restantes de remonter vers le haut de la pompe.
7. Arrêter la pompe.
8. Desserrer à nouveau le bouchon de surpression de 1 à 2 tours et purger le système jusqu'à ce que seulement de l'eau coule.
9. Resserrer le bouchon de surpression.

Le Booster est désormais prêt à fonctionner. Appuyer sur "1" sur le panneau de commande. (voir fig. 4).

4. Opérations quotidiennes

4.1 Démarrage

1. Contrôler que les admissions d'eau du système sont ouvertes.
2. Appuyer sur le bouton "1" du panneau de commande pour mettre l'unité en marche

4.2 Arrêt

1. Appuyer sur "0" sur le panneau de commande.
2. Fermer l'alimentation en eau.
3. Fermer l'alimentation en air.

ATTENTION ! Il faut impérativement fermer l'eau et l'air avant de quitter la machine après utilisation, pour les raisons suivantes :

- Si l'alimentation en air est ouverte quand l'unité principale et les unités satellites sont hors service, l'air peut s'infiltrer dans la tuyauterie. Il faudra alors repurger le système.
- Le séparateur d'eau qui fait partie du régulateur d'air ne doit être vidé que lorsque l'air est fermé.

Il peut s'avérer nécessaire de repurger la tuyauterie et le Booster s'ils sont restés fermés pendant une période prolongée (congelés ou autres).

5. Révision

La révision ne doit être effectuée que par du personnel agréé et qualifié.

Attention! La révision du système ne doit être effectuée qu'une fois le système hors tension et dépressurisé.

1. Appuyer sur l'interrupteur principal du boîtier de commande (Fig. 1)
2. Ouvrir la sortie d'eau pour dépressuriser le système.

5.1 Composants

5.1.1 Pompe/moteur

La pompe et le moteur ne nécessitent aucun entretien, voir section 2.2.

5.1.2 Système de commande

Aucun entretien.

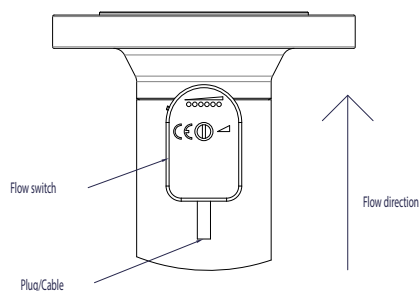
En cas de défaillance : faire appel à un technicien du service-après-vente.

5.1.3 Déclencheur de débit

Aucun entretien.

En cas de défaillance, remplacer le commutateur de débit.

L'orientation du régulateur de débit doit être effectuée de manière à ce que la prise/ le bout du câble de l'interrupteur pointe à l'opposé de la direction du flux.



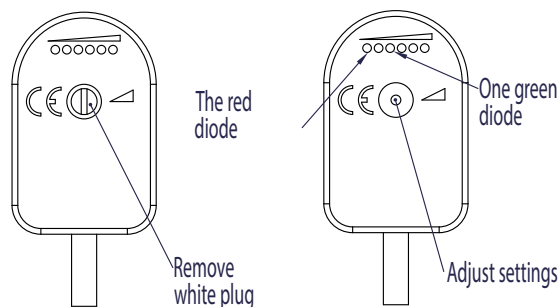
110004660

5.1.3.1 Réglage du régulateur de débit

Quand le régulateur de débit est changé / installé, il doit être réglé.

1. Appuyez sur "1" sur le panneau de commande pour démarrer la machine.
2. Tournez la poignée de « rinçage/mousse » sur un satellite sur la position mousse.
3. Activez la poignée de vaporisation sur le tuyau d'évacuation du satellite afin que l'eau puisse s'épuiser.
4. Vérifiez que le régulateur de débit est placé de la bonne façon (le câble doit être à l'opposé de la direction du flux) (voir l'image).
5. Enlevez la vis / le bouchon blanc avant de régler (voir l'image).
6. Réglez le débit sur l'allumage d'une diode verte (voir l'image).
7. Refermez la poignée de vaporisation et vérifiez que la diode rouge s'allume.
8. Remontez la vis / le bouchon blanc.

Le régulateur de débit est maintenant réglé.



5.1.4 Clapet de retenue/ côté admission

En cas de défaillance, remplacer le clapet de retenue.

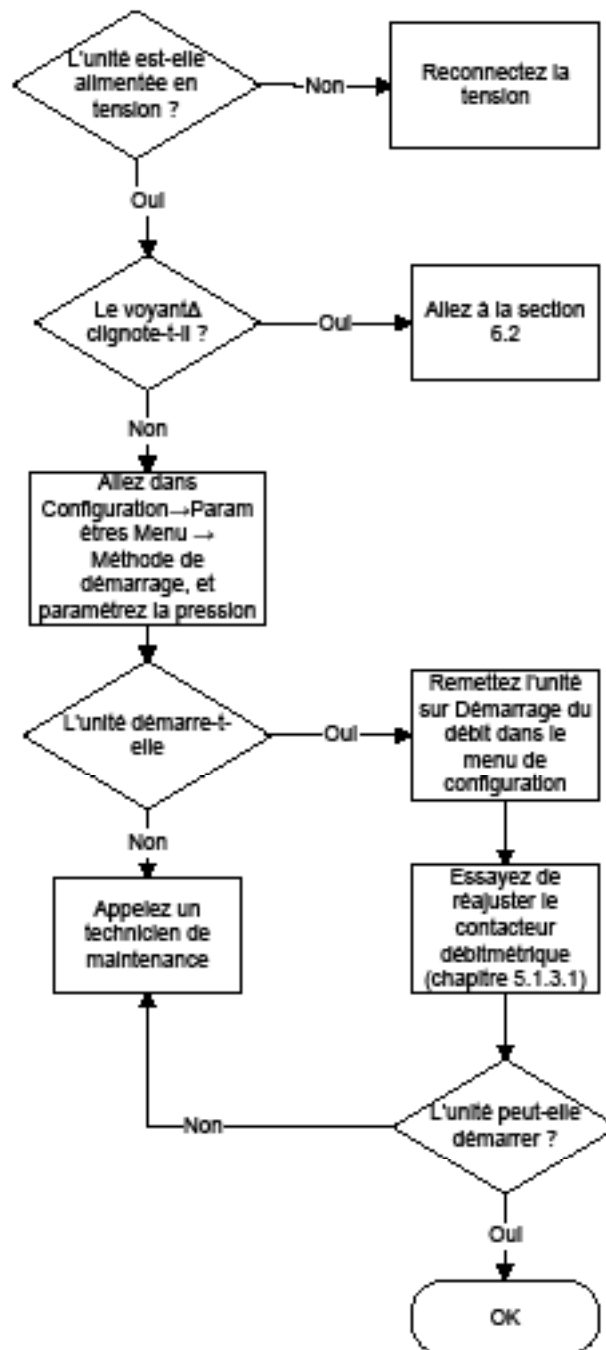
5.2 Recyclage et mise au rebut

Recycler l'emballage et mettre l'appareil au rebut conformément aux recommandations des autorités locales.

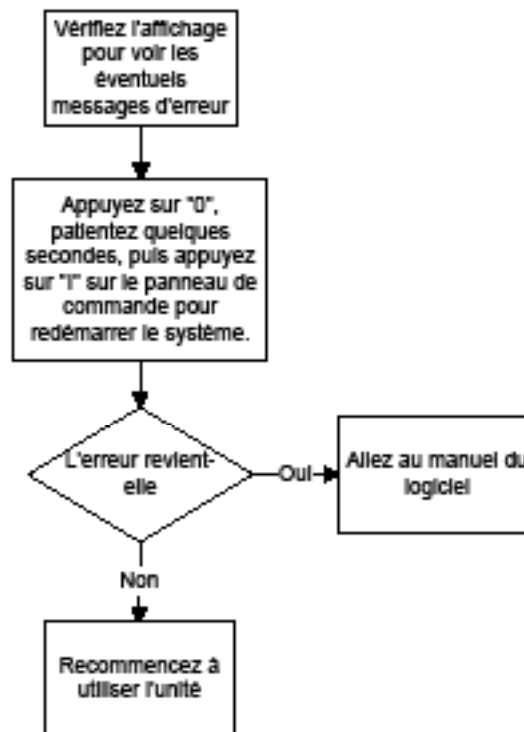
110004714

6. Localisation des défauts

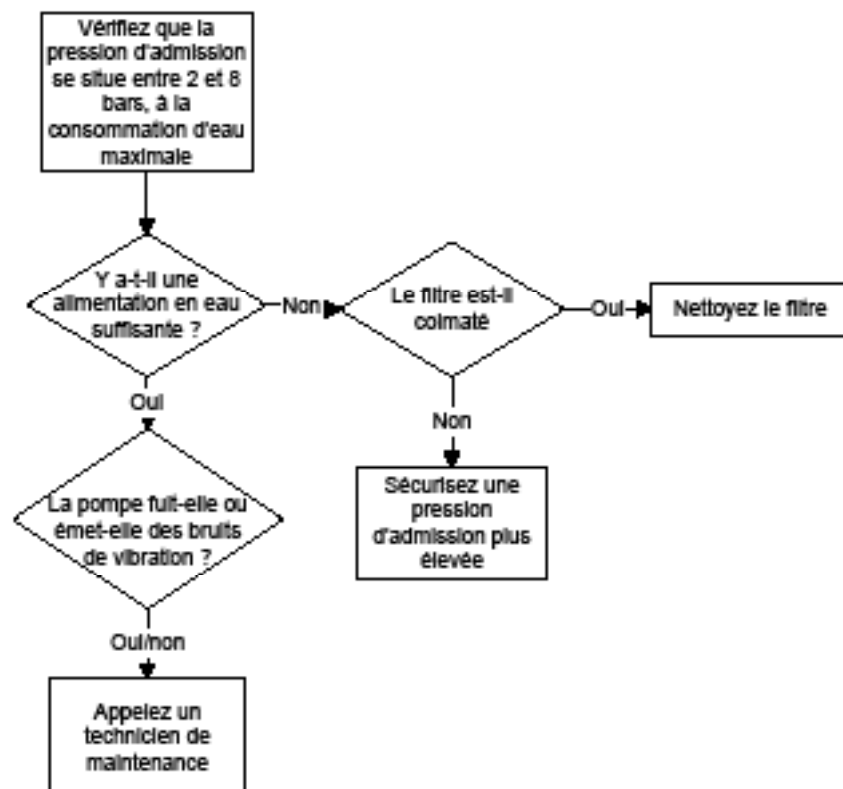
6.1 L'unité de démarre pas



6.2 Le voyant “Δ” sur le panneau de commande est allumé.



6.3 Si la pression d'entrée est faible ou instable !



7. Pièces de rechange conseillées

Les pièces de rechange recommandées sont identifiées par * du manuel de pièce de rechange.

8. Spécifications

Données techniques	Unit.	Booster/Main station.				
		Advanced*	Proff.*			
Eau		3 (4 kW)	3 (4 kW)	4 (5.5 kW)	7 (10 kW)**	8 (11 kW)*
Pression sortie max.	bar	25	25	25	22	25
Consommation au rinçage 1)	L/min	90	90	120	210	240
Consommation à l'aspersion de mousse.	L/min	30	30	40	80	80
Pression alimentation min.	bar	2	2	2	2	2
Pression alimentation max.	bar	8	8	8	8	8
Alimentation eau min.	L/min	100	100	135	265	265
Diamètre conduit admission	Pouce	1.1/4"	1.1/4"	1.1/4"	2"	2"
Diamètre conduit sortie	Pouce	1.1/4"	1.1/4"	1.1/4"	2"	2"
Electricité						
Tension alimentation (V Hz)*	V	3/PE 400/480 V ±10%				
Fréquence	Hz	50/60 Hz 48 0%... 62 +0%				
Charge moteur (kW)	kW	4	4	5.5	10	10
Installation to EN 60204-1						
Courante nominal	A	10.6	10.6	14.2	27	27
Fusible	A	16	16	20	35	35
L1, L2, L3, PE	mm2	2.5	2.5	2.5	6	6
Généralités						
Niveau sonore ISO 11202	dB	85 dB	-	-	-	-
Dimensions	mm	1070 x 550 x 375	785 x 550 x 375	1074 x 557 x 382	1074 x 557 x 382	990 x 535 x 364
Poids (kg)	kg	85	60	75	75	80

Toutes les caractéristiques sont basées sur la pression d'approvisionnement de 5 barres.

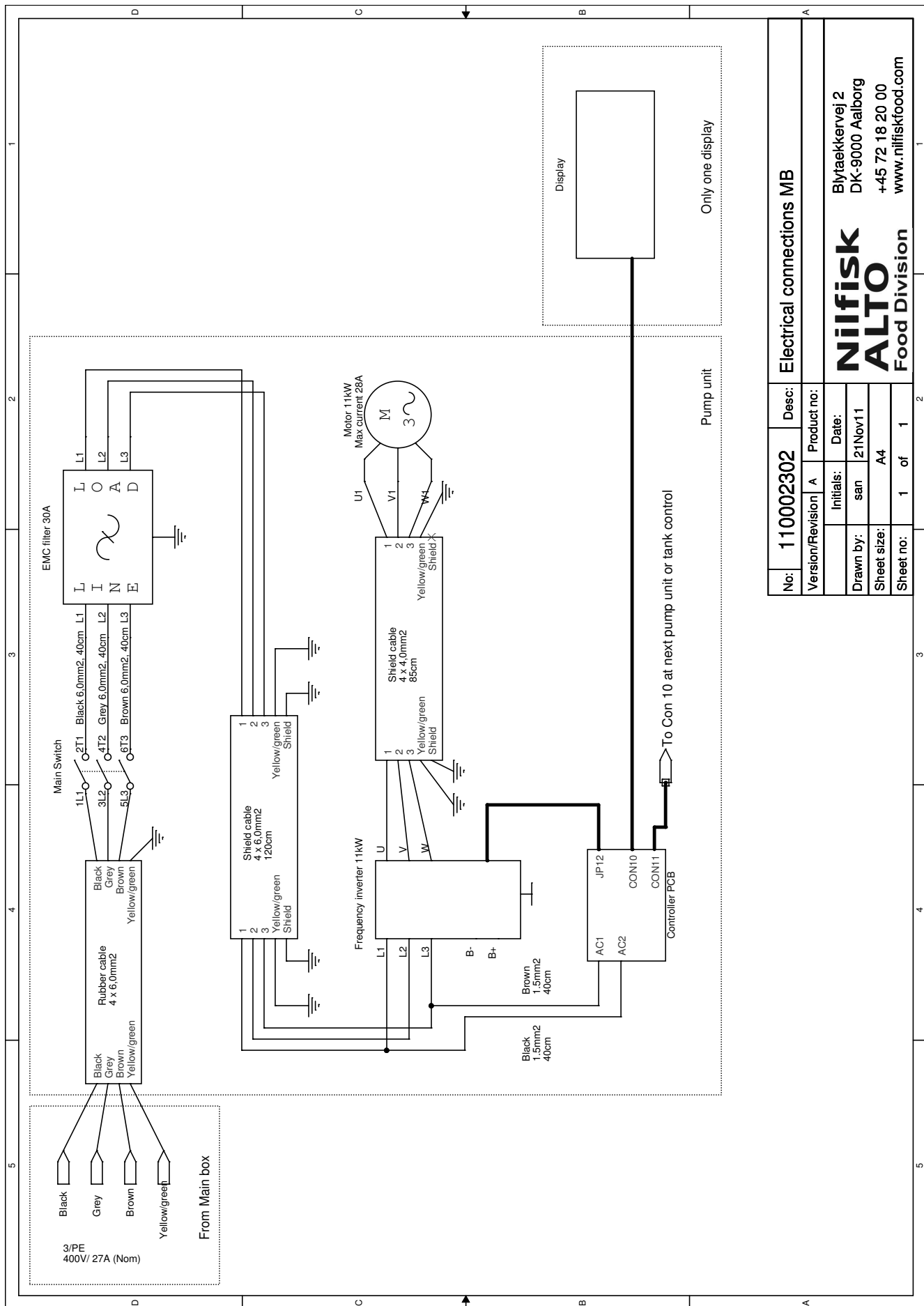
Note:

*Pompez la barre de la pression 20 + la barre du maximum 25 de pression d'admission

** Pompez la barre de la pression 20 + la barre du maximum 22 de pression d'admission

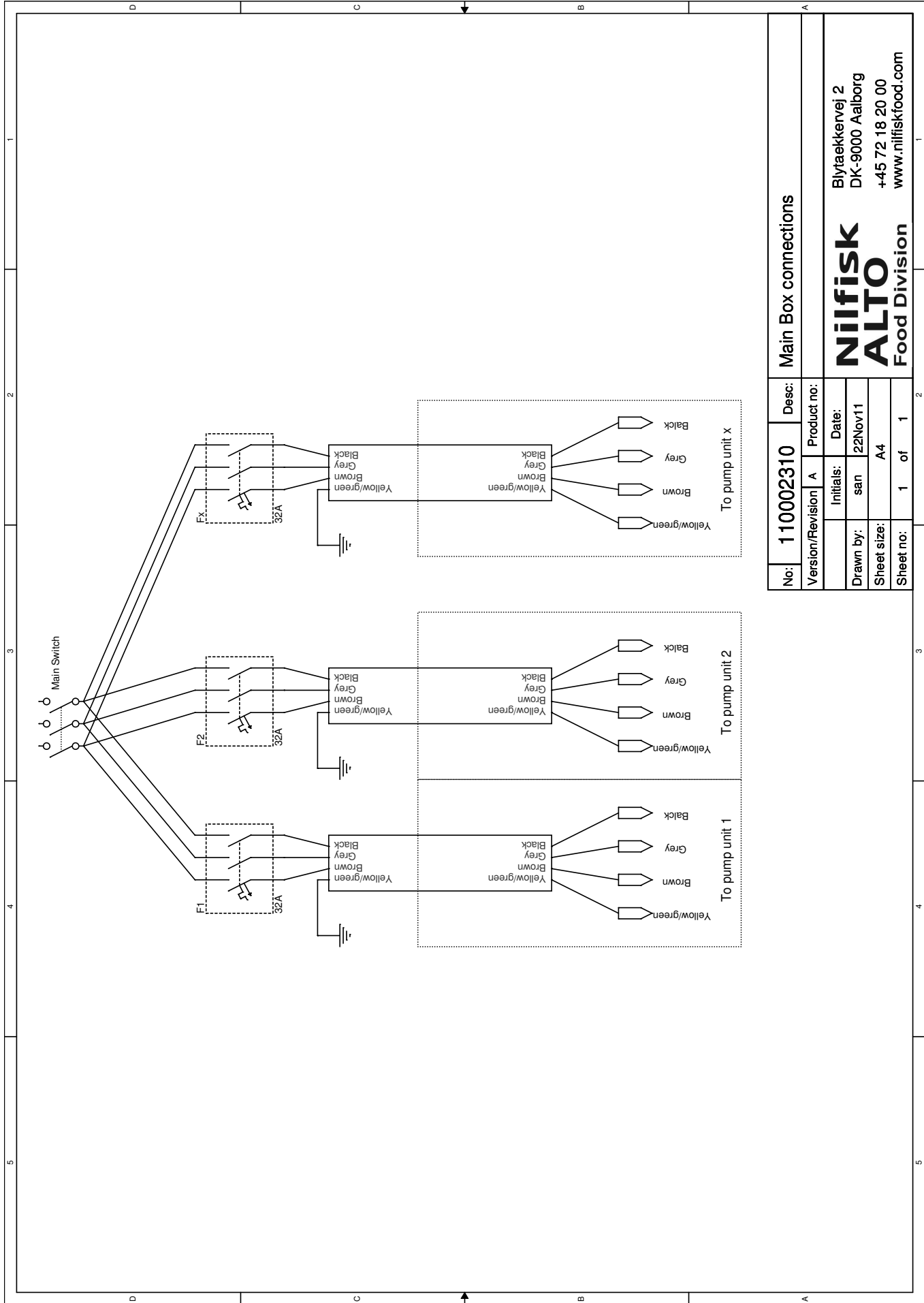
1) 1 utilisateur par 30l/min

9. Diagramme électrique

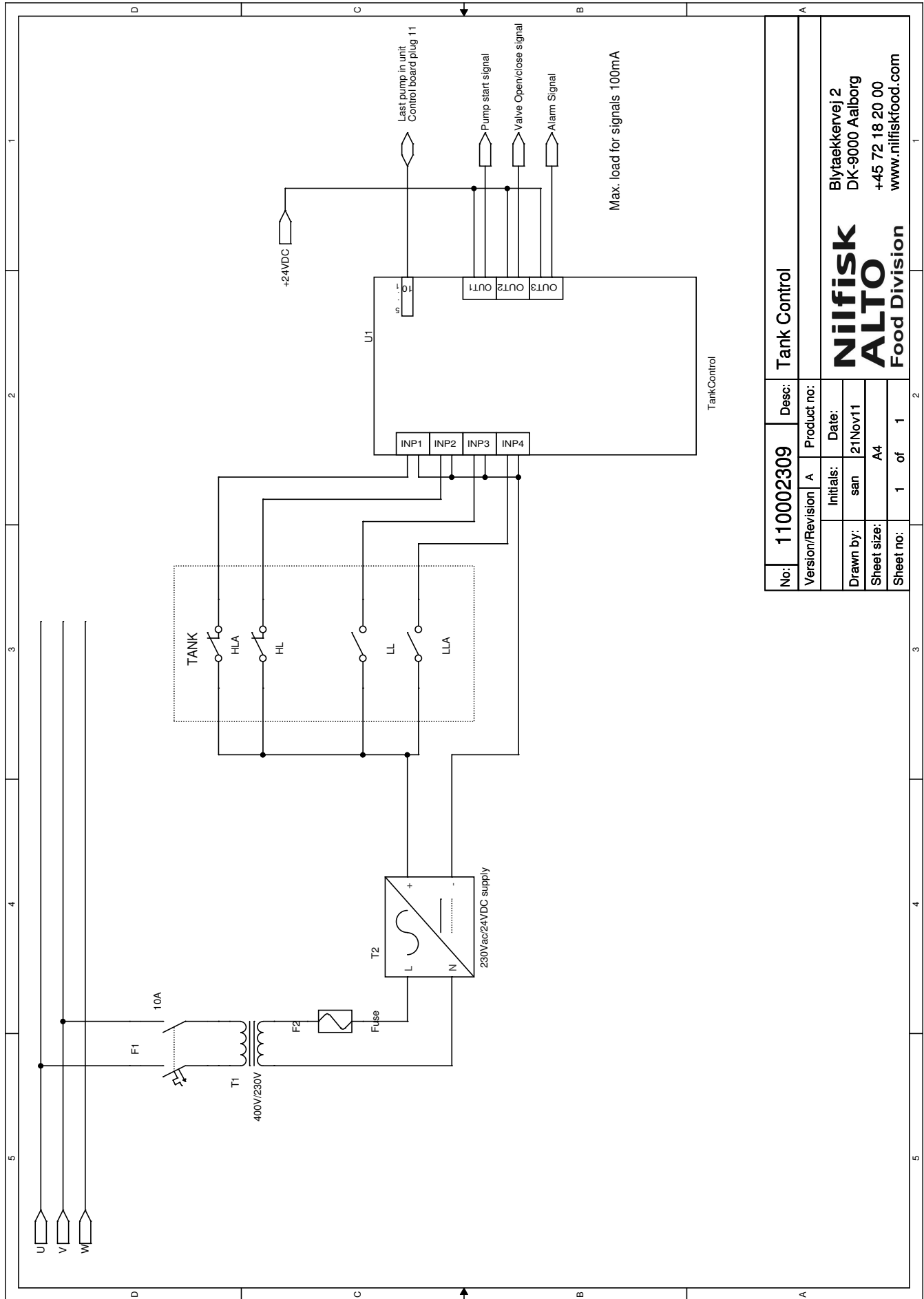


No: 11002302		Desc: Electrical connections MB	
Version/Revision	A	Product no:	
Initials:	san	Date:	21Nov11
Drawn by:	san	Sheet size:	A4
Sheet no:	1	of	1

Nilfisk ALTO
Food Division
Blytaekkervej 2
DK-9000 Aalborg
+45 72 18 20 00
www.nilfiskfood.com



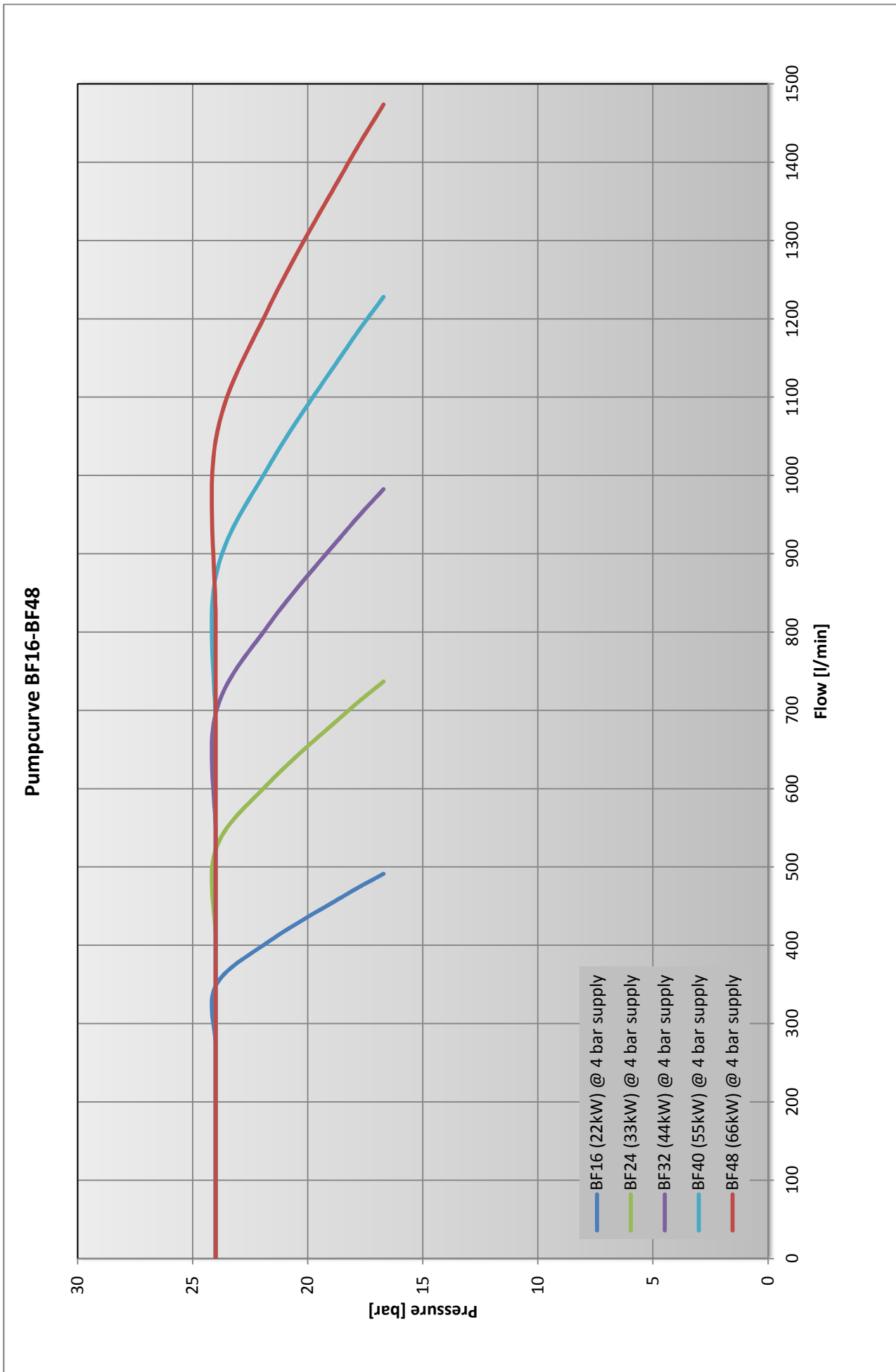
No: 110002310		Desc: Main Box connections	
Version/Revision	A	Product no:	
Initials:	san	Date:	22Nov11
Drawn by:			
Sheet size:	A4		
Sheet no:	1	of	1
Blytaekervej 2 DK-9000 Aalborg +45 72 18 20 00 www.nifiskfood.com		Nifisk ALTO Food Division	



No:	110002309	Desc:	Tank Control
Version/Revision	A	Product no:	
Initials:	san	Date:	21Nov11
Drawn by:	san	Sheet size:	A4
Sheet no:	1	of	1

Nilfisk
ALTO
 Food Division
 Blytaekervej 2
 DK-9000 Aalborg
 +45 72 18 20 00
 www.nilfiskfood.com

10. Courbe de pompe



110000455

11. Déclaration de Conformité

BF16, BF24, BF32, BF40, BF48

- ⓔ Declaration of Conformity
- ⓓ Konformitätserklärung
- ⓕ Déclaration de Conformité
- ⓓ Dichiarazione di Conformità

- ⓔ Declaración de Conformidad
- ⓓ Declaração de Conformidade
- ⓔ Δήλωση Συμμόρφωσης
- ⓓ Overeenkomstigheidsverklaring
- ⓓ Försäkran om överensstämmelse
- ⓓ Vaatimustenmukaisuusvakuutus
- ⓓ Overensstemmelseserklæring
- ⓓ Deklaracja zgodności
- ⓓ Декларация о соответствии
- ⓓ Megfelelőségi nyilatkozat
- ⓓ Izjava o skladnosti
- ⓓ Izjava o usklađenosti
- ⓓ Deklaracija o konformitetu
- ⓓ Declarație de Conformitate

Nilfisk FOOD
Blytækkervej 2
9000 Aalborg
Danmark

EN Declaration of Conformity

We Nilfisk FOOD, declare under our sole responsibility that the products BF16+, BF24+, BF32+, BF40+, BF48+, to which this declaration relates, are in conformity with these Council directives on the approximation of the laws of the EC member states:

Function: Pumping Station
Model/Type: BF16-2+, BF24-3+, BF32-4+, BF40-5+, BF48-6+.
Serial number: All

Machinery Directive (2006/42/EC:2006-05-17).
Standard used: EN 60335-2-41/A2:2010

EMC Directive (2004/108/EC:2004-12-15).
Standard used: EN 55014-1/A1:2009 and EN 55014-2/A2:2008
Standard used: EN 61000-3-2/A2:2009 and EN 61000-3-3:2008

FR Déclaration de conformité

Nous, Nilfisk FOOD, déclarons sous notre propre responsabilité que les produits BF16+, BF24+, BF32+, BF40+, BF48+, auxquels se réfère cette déclaration, sont conformes à ces directives du Conseil sur le rapprochement des législations des États membres :

Fonction : Station de pompage
Modèle/Type : BF16-2+, BF24-3+, BF32-4+, BF40-5+, BF48-6+.
Numéro de série : Tous

Directive 2006/42/CE du 17 mai 2006 relative aux machines
Normes appliquées : EN 60335-2-41/A2:2010

Directive CEM (2004/108/CE:2004-12-15).
Normes appliquées : EN 55014-1/A1:2009 et EN 55014-2/A2:2008
Normes appliquées : EN 61000-3-2/A2:2009 et EN 61000-3-3:2008

DE Konformitätserklärung

Nilfisk FOOD, als alleinverantwortlich, erklären hiermit, dass: BF16+, BF24+, BF32+, BF40+, BF48+, in Übereinstimmung mit den Richtlinien zur Angleichung der Rechtsvorschriften der Mitgliedstaaten ist:

Funktion: Pumpenstation
Modell/Typ: BF16-2+, BF24-3+, BF32-4+, BF40-5+, BF48-6+.
Seriennummer: Alle

Maschinendirektive (2006/42/EC:2006-05-17).
Standarden: EN 60335-2-41/A2:2010

EMC Direktive (2004/108/EC:2004-12-15).
Standarden: EN 55014-1/A1:2009 og EN 55014-2/A2:2008
Standarden: EN 61000-3-2/A2:2009 og EN 61000-3-3:2008

IT Dichiarazione di conformità

Nilfisk FOOD dichiara sotto la sua esclusiva responsabilità che i prodotti BF16+, BF24+, BF32+, BF40+, BF48+, ai quali fa riferimento la presente dichiarazione, sono conformi alle direttive del Consiglio concernenti il riavvicinamento delle legislazioni degli stati membri della UE:

Funzione: Stazione di pompaggio
Modello/Tipo: BF16-2+, BF24-3+, BF32-4+, BF40-5+, BF48-6+.
Numero di serie: Tutti

Direttiva Macchine (2006/42/CE:2006-05-17).
Standard utilizzato: EN 60335-2-41/A2:2010

Direttiva EMC (2004/108/CE:15.12.04).
Standard utilizzato: EN 55014-1/A1:2009 ed EN 55014-2/A2:2008
Standard utilizzato: EN 61000-3-2/A2:2009 ed EN 61000-3-3:2008

ES Declaración de Conformidad

Nosotros, Nilfisk FOOD, declaramos bajo nuestra única responsabilidad que los productos BF16+, BF24+, BF32+, BF40+, BF48+, a los que se refiere esta declaración cumplen con las directivas de este Consejo sobre la legislación de los estados miembros de la CE:

Función: Estación de bombeo
Modelo/tipo: BF16-2+, BF24-3+, BF32-4+, BF40-5+, BF48-6+.
Número de serie: All

Directiva sobre máquinas (2006/42/EC:2006-05-17).
Normativa usada: EN 60335-2-41/A2:2010

Directiva CEM (2004/108/EC:15.12.04).
Normativa usada: EN 55014-1/A1:2009 y EN 55014-2/A2:2008
Normativa usada: EN 61000-3-2/A2:2009 y EN 61000-3-3:2008

PT Declaração de Conformidade

A Nilfisk FOOD declara, por sua exclusiva responsabilidade que os produtos BF16+, BF24+, BF32+, BF40+, BF48+, referidos nesta declaração, se encontram em conformidade com estas diretivas do Conselho relativas à aproximação das disposições legislativas dos Estados-Membros da CE:

Função: Estação de bombagem
Modelo/Tipo: BF16-2+, BF24-3+, BF32-4+, BF40-5+, BF48-6+.
Número de série: Todos

Diretiva relativa às máquinas (2006/42/CE:2006-05-17).
Norma utilizada: EN 60335-2-41/A2:2010

Diretiva CEM (2004/108/CE:2004-12-15).
Norma utilizada: EN 55014-1/A1:2009 e EN 55014-2/A2:2008
Norma utilizada: EN 61000-3-2/A2:2009 e EN 61000-3-3:2008

EL Δήλωση Συμμόρφωσης

Εμείς η Nilfisk FOOD, δηλώνουμε υπό την αποκλειστική μας ευθύνη ότι τα προϊόντα BF16+, BF24+, BF32+, BF40+, BF48+, Με τον οποίο σχετίζεται αυτή η δήλωση, συμμορφώνονται με τις παρακάτω οδηγίες του συμβουλίου σχετικά με την προσέγγιση των νόμων των κρατών μελών της ΕΚ:

Λειτουργία: Σταθμός άντλησης
Μοντέλο/Τύπος: BF16-2+, BF24-3+, BF32-4+, BF40-5+, BF48-6+.
Αριθμός σειράς: Όλοι

Οδηγία περί μηχανημάτων (2006/42/EC:2006-05-17).
Χρησιμοποιούμενο πρότυπο: EN 60335-2-41/A2:2010

Οδηγία ΗΜΣ (2004/108/EC:15.12.04).
Χρησιμοποιούμενο πρότυπο: EN 55014-1/A1:2009 και EN 55014-2/A2:2008
Χρησιμοποιούμενο πρότυπο: EN 61000-3-2/A2:2009 και EN 61000-3-3:2008

NL Overeenkomstigheidsverklaring

Wij, Nilfisk FOOD, verklaren geheel onder eigen verantwoordelijkheid dat de producten BF16+, BF24+, BF32+, BF40+, BF48+, waarop deze verklaring betrekking heeft, in overeenstemming zijn met de volgende Richtlijnen van de Raad betreffende de onderlinge aanpassing van de wetgevingen van de EG-lidstaten:

Functie: Pompinstallatie
Model/Type: BF16-2+, BF24-3+, BF32-4+, BF40-5+, BF48-6+.
Serienummer: Alle

Machinerichtlijn (2006/42/EG:17-05-2006).
Toegepaste norm: EN 60335-2-41/A2:2010

EMC-richtlijn (2004/108/EG:15-12-2004).
Toegepaste norm: EN 55014-1/A1:2009 en EN 55014-2/A2:2008
Toegepaste norm: EN 61000-3-2/A2:2009 en EN 61000-3-3:2008

SV Försäkran om överensstämmelse

Vi Nilfisk FOOD, tillkännager, under eget ansvar, att produkterna BF16+, BF24+, BF32+, BF40+, BF48+, som omfattas av denna försäkran, är i överensstämmelse med rådets direktiv om tillnärmning av medlemsstaternas lagstiftning i EG:

Funktion: Pumpstation
Modell/typ: BF16-2+, BF24-3+, BF32-4+, BF40-5+, BF48-6+.
Serienummer: Alla

Maskindirektiv (2006/42/EC:2006-05-17).
Standard som används: EN 60335-2-41/A2:2010

EMC-direktivet (2004/108/EG :2004-12-15).
Standard som används: EN 55014-1/A1:2009 och EN 55014-2/A2:2008
Standard som används: EN 61000-3-2/A2:2009 och EN 61000-3-3:2008

FI Vaatimustenmukaisuusvakuutus

Me Nilfisk FOOD vakuutamme yksinomaisella vastuulla, että tuotteet BF16+, BF24+, BF32+, BF40+, BF48+, jota tämä vakuutus koskee, noudattavat direktiivejä, jotka käsittelevät EY:n jäsenvaltioiden lakien yhdenmukaisuutta koskien seuraavia:

Toiminto: Pumpuasema
Malli/tyyppi: BF16-2+, BF24-3+, BF32-4+, BF40-5+, BF48-6+.
Sarjanumero: Kaikki

Konedirektiivi (2006/42/EY:2006-05-17).
Käytetty standardi: EN 60335-2-41/A2:2010

EMC-direktiivi (2004/108/EY:2004-12-15).
Käytetty standardi: EN 55014-1/A1:2009 ja EN 55014-2/A2:2008
Käytetty standardi: EN 61000-3-2/A2:2009 ja EN 61000-3-3:2008

DA Overensstemmelseserklæring

Nilfisk FOOD, erklærer under eneansvar, at produktet: BF16+, BF24+, BF32+, BF40+, BF48+, som denne erklæring vedrører, er i overensstemmelse med følgende direktiver om tilnærmelse af EU medlemslandenes love:

Function: Pumping Station
Model/Type: BF16-2+, BF24-3+, BF32-4+, BF40-5+, BF48-6+.
Serial number: All

Machinery Directive (2006/42/EC:2006-05-17).
Standard used: EN 60335-2-41/A2:2010

EMC Directive (2004/108/EC:2004-12-15).
Standard used: EN 55014-1/A1:2009 and EN 55014-2/A2:2008
Standard used: EN 61000-3-2/A2:2009 and EN 61000-3-3:2008

RU Декларация о соответствии

Мы, Nilfisk FOOD, принимая на себя всю ответственность, заявляем, что продукты Усовершенствованная BF16+, BF24+, BF32+, BF40+, BF48+, которых касается настоящая декларация, соответствуют данным директивам Совета о приблизительном соответствии законам стран-членов СЕ:

Функциональное назначение: Насосная станция
Модель/Тип: BF16-2+, BF24-3+, BF32-4+, BF40-5+, BF48-6+.
Серийный номер: все

Директива машин (2006/42/EC:17-05-2006).
Используемый стандарт: EN 60335-2-41/A2:2010

Директива ЭМС (2004/108/EC:15-12-2004).
Используемый стандарт: EN 55014-1/A1:2009 и EN 55014-2/A2:2008
Используемый стандарт: EN 61000-3-2/A2:2009 и EN 61000-3-3:2008

SL Izjava o skladnosti

V Nilfisk FOODu s polno odgovornostjo izjavljamo, da so naši izdelki BF16+, BF24+, BF32+, BF40+, BF48+, na katere se ta izjava nanaša, v skladu z naslednjimi direktivami Sveta o približevanju zakonodaje za izenačevanje pravnih predpisov držav članic ES:

Funkcija: Črpalna postaja
Model/Tip: BF16-2+, BF24-3+, BF32-4+, BF40-5+, BF48-6+.
Serijska številka: Vse

Direktiva o strojih (2006/42/EC:2006-05-17).
Uporabljeni standardi: EN 60335-2-41/A2:2010

Direktiva o elektromagnetni združljivosti (2004/108/EC:2004-12-15).
Uporabljeni standardi: EN 55014-1/A1:2009 and EN 55014-2/A2:2008
Uporabljeni standardi: EN 61000-3-2/A2:2009 and EN 61000-3-3:2008

PL Deklaracja zgodności

Firma Nilfisk ALTO z pełną odpowiedzialnością oświadcza, że produkty BF16+, BF24+, BF32+, BF40+, BF48+, których dotyczy ta deklaracja, spełniają wymogi poniższych dyrektywa Rady zgodnymi z prawem obowiązującym państwa członkowskie UE:

Funkcja: Stacja pompująca
Model/typ BF16-2+, BF24-3+, BF32-4+, BF40-5+, BF48-6+.
Numer seryjny: Wszystkie

Dyrektywa Maszynowa (2006/42/EC:2006-05-17).
Stosowana norma: EN 60335-2-41/A2:2010

Dyrektywa w sprawie kompatybilności elektromagnetycznej (2004/108/EC:15.12.04).
Stosowane normy: EN 55014-1/A1:2009 i EN 55014-2/A2:2008
Stosowane normy: EN 61000-3-2/A2:2009 i EN 61000-3-3:2008

HU Megfelelőségi nyilatkozat

Mi, a Nilfisk FOOD, kizárólagos felelősségünk tudatában kijelentjük, hogy a BF16+, BF24+, BF32+, BF40+, BF48+, amelyekre ez a nyilatkozat vonatkozik, megfelelnek az EU tagállamok törvényi rendelkezéseinek közelítéséről szóló tanácsi irányelveknek:

Funkció: Szivattyútelep
Modell/Típus: BF16-2+, BF24-3+, BF32-4+, BF40-5+, BF48-6+.
Sorozatszám: Összes

Gépekre vonatkozó irányelv (2006/42/EC:2006-05-17).
Alkalmazott szabvány: EN 60335-2-41/A2:2010

EMC irányelv (2004/108/EC:2004-12-15).
Alkalmazott szabvány: EN 55014-1/A1:2009 és EN 55014-2/A2:2008
Alkalmazott szabvány: EN 61000-3-2/A2:2009 és EN 61000-3-3:2008

HR Izjava o usklađenosti

Mi, Nilfisk FOOD, izjavljujemo pod vlastitom odgovornošću da je proizvod BF16+, BF24+, BF32+, BF40+, BF48+, na koji se ova izjava odnosi, u skladu s direktivama ovog Vijeća o usklađivanju zakona država članica EU:

Funkcija: Pumpna postaja
Model/vrsta: BF16-2+, BF24-3+, BF32-4+, BF40-5+, BF48-6+.
Serijski broj: Svi

Izjava o strojevima (2006/42/EC:2006-05-17).
Primijenjena norma: EN 60335-2-41/A2:2010

Izjava o elektromagnetskoj kompatibilnosti (2004/108/EC:2004-12-15).
Primijenjena norma: EN 55014-1/A1:2009 i EN 55014-2/A2:2008
Primijenjena norma: EN 61000-3-2/A2:2009 i EN 61000-3-3:2008

SR Deklaracija o konformitetu

Mi, Nilfisk FOOD, izjavljujemo pod vlastitom odgovornošću da je proizvod BF16+, BF24+, BF32+, BF40+, BF48+, na koji se ova izjava odnosi, u skladu sa direktivama, Saveta za usklađivanje zakona država članica EU:

Funkcija: Stanica za pumpanje
Model/tip: BF16-2+, BF24-3+, BF32-4+, BF40-5+, BF48-6+.
serijski broj: Kompletna

direktiva o mašinama (2006/42/EC:2006-05-17).
Primenjen standard: EN 60335-2-41/A2:2010

EMC direktiva (2004/108/EC:2004-12-15).
Primenjen standard: EN 55014-1/A1:2009 i EN 55014-2/A2:2008
Primenjen standard: EN 61000-3-2/A2:2009 i EN 61000-3-3:2008

RO Declarație de Conformitate

Noi, Nilfisk FOOD, declarăm pe propria răspundere că produsele BF16+, BF24+, BF32+, BF40+, BF48+, la care se referă această declarație, sunt în conformitate cu aceste Directive de Consiliu asupra armonizării legilor Statelor Membre CE:

Funcție: Stație de igienizare și de pompare
Model/Tip: BF16-2+, BF24-3+, BF32-4+, BF40-5+, BF48-6+.
Număr de serie: toate

Directiva Mașini (2006/42/EC:2006-05-17).
Standarde utilizate: EN 60335-2-41/A2:2010

Directiva EMC (2004/108/EC:15.12.04).
Standarde utilizate: EN 55014-1/A1:2009 și EN 55014-2/A2:2008
Standarde utilizate: EN 61000-3-2/A2:2009 și EN 61000-3-3:2008

BG Декларация за съответствие

Ние, фирма Nilfisk FOOD, заявяваме с пълна отговорност, че продуктите BF16+, BF24+, BF32+, BF40+, BF48+, за които се отнася настоящата декларация, отговарят на следните указания на Съвета за уеднаквяване на правните разпоредби на държавите членки на ЕС:

Функция: Помпена станция
Модел/Тип: BF16-2+, BF24-3+, BF32-4+, BF40-5+, BF48-6+.
Сериен номер: Всички

Директива относно машините (2006/42/EO: 17.05.2006 г.).
Използван стандарт: EN 60335-2-41/A2:2010

Директива относно електромагнитната съвместимост (2004/108/EO: 15.12.2004 г.).
Използван стандарт: EN 55014-1/A1:2009 и EN 55014-2/A2:2008
Използван стандарт: EN 61000-3-2/A2:2009 и EN 61000-3-3:2008

CS Prohlášení o shodě

My firma Nilfisk FOOD prohlašujeme na svou plnou odpovědnost, že výrobky BF16+, BF24+, BF32+, BF40+, BF48+, na něž se toto prohlášení vztahuje, jsou v souladu s ustanoveními směrnice Rady pro sblížení právních předpisů členských států Evropského společenství v oblastech:

Funkce: Čerpací stanice
Model/Typ: BF16-2+, BF24-3+, BF32-4+, BF40-5+, BF48-6+.
Výrobní číslo: Všechna

Směrnice o strojních zařízeních (2006/42/EC:2006-05-17).
Použitá norma: EN 60335-2-41/A2:2010

Směrnice EMC (2004/108/EC:2004-12-15).
Použitá norma: EN 55014-1/A1:2009 a EN 55014-2/A2:2008
Použitá norma: EN 61000-3-2/A2:2009 a EN 61000-3-3:2008

SK Prehlásenie o konformite

My firma Nilfisk FOOD prehlasujeme na svoju plnú zodpovednosť, že výrobky BF16+, BF24+, BF32+, BF40+, BF48+, na ktoré sa toto prehlásenie vzťahuje, sú v súlade s ustanovením smernice Rady pre zblíženie právnych predpisov členských štátov Európskeho spoločenstva v oblastiach:

Funkcia: Čerpacia stanica
Model/tip: BF16-2+, BF24-3+, BF32-4+, BF40-5+, BF48-6+.
Sériové číslo: Všetky

Smernica o strojních zariadeniach (2006/42/ES: 17.5.2006).
Použitá norma: EN 60335-2-41/A2: 2010

Smernica o elektromagnetickej kompatibilite (2004/108/ES: 15.12.2004).
Použitá norma: EN 55014-1/A1: 2009 a EN 55014-2/A2: 2008
Použitá norma: EN 61000-3-2/A2: 2009 a EN 61000-3-3: 2008

TR Uygunluk Bildirgesi

Nilfisk FOOD olarak bu beyannameye konu olan BF16+, BF24+, BF32+, BF40+, BF48+, ürünlerinin, AB Üyesi Ülkelerin kanunlarını birbirine yaklaştırma üzerine Konsey Direktifleriyle uyumlu olduğunu yalnızca bizim sorumluluğumuz altında olduğunu beyan ederiz:

Fonksiyon: Pompalama İstasyonu
Model/Tip: BF16-2+, BF24-3+, BF32-4+, BF40-5+, BF48-6+.
Seri numarasi: Tümü

Makine Direktifi (2006/42/EC:2006-05-17).
Kullanılmış standartlar: EN 60335-2-41/A2:2010

EMC Direktifi (2004/108/EC:2004-12-15).
Kullanılmış standartlar: EN 55014-1/A1:2009 ve EN 55014-2/A2:2008
Kullanılmış standartlar: EN 61000-3-2/A2:2009 ve EN 61000-3-3:2008

ET Vastavusdeklaratsioon

Meie, Nilfisk FOOD, deklareerime enda ainuvastutusel, et tooted BF16+, BF24+, BF32+, BF40+, BF48+, mille kohta käesolev juhend käib, on vastavuses EÜ Nõukogu direktiividega EMÜ liikmesriikide seaduste ühitamise kohta, mis käsitlevad:

Funktsioon: Pumbajaam
Mudel/tüüp: BF16-2+, BF24-3+, BF32-4+, BF40-5+, BF48-6+.
Seerianumber: kõik

Masinaidirektiiv (2006/42/EÜ:2006-05-17).
Kasutatav standard: EN 60335-2-41/A2:2010

Elektromagnetilise ühilduvuse (EMC) direktiiv (2004/108/EÜ:2004-12-15).
Kasutatav standard: EN 55014-1/A1:2009 ja EN 55014-2/A2:2008
Kasutatav standard: EN 61000-3-2/A2:2009 ja EN 61000-3-3:2008

LT Atitikties deklaracija

Mes, Nilfisk FOOD, su visa atsakomybe pareiškiame, kad gaminiai BF16+, BF24+, BF32+, BF40+, BF48+, kuriems skirta ši deklaracija, atitinka šias Tarybos Direktyvas dėl Europos Ekonominės Bendrijos šalių narių įstatymų suderinimo:

Paskirtis: Pumpavimo terminalas
Modelis / tipas: BF16-2+, BF24-3+, BF32-4+, BF40-5+, BF48-6+.
Serijos numeris: visi

Mašinų direktyvą (2006/42/EB:2006-05-17),
taikytas standartas: EN 60335-2-41/A2:2010;

Elektromagnetinio suderinamumo direktyvą (2004/108/EB:2004-12-15),
taikytas standartas: EN 55014-1/A1:2009 ir EN 55014-2/A2:2008,
taikytas standartas: EN 61000-3-2/A2:2009 ir EN 61000-3-3:2008

LV Paziņojums par atbilstību prasībām

Sabiedrība Nilfisk FOOD ar pilnu atbildību dara zināmu, ka produkti BF16+, BF24+, BF32+, BF40+, BF48+, uz kuriem attiecas šis paziņojums, atbilst šādām Padomes direktīvām par tuvināšanos EK dalībvalstu likumdošanas normām:

Funkcija: Sūkņa stacija
Modelis/tips: BF16-2+, BF24-3+, BF32-4+, BF40-5+, BF48-6+.
Sērijas numurs: visi.

Mašīnu direktīva (2006/42/EK, 17.05.2006.)
Izmantotais standarts: EN 60335-2-41/A2:2010

Elektromagnētiskās savietojamības direktīva (2004/108/EK, 15.12.2004.)
Izmantotais standarts: EN 55014-1/A1:2009 un EN 55014-2/A2:2008
Izmantotais standarts: EN 61000-3-2/A2:2009 un EN 61000-3-3:2008

UK Свідчення про відповідність вимогам

Компанія Nilfisk FOOD заявляє про свою виключну відповідальність за те, що продукти BF16+, BF24+, BF32+, BF40+, BF48+, на які поширюється дана декларація, відповідають таким рекомендаціям Ради з уніфікації правових норм країн -членів ЕС:

Функція: Насосна станція
Модель/Тип: BF16-2+, BF24-3+, BF32-4+, BF40-5+, BF48-6+.
Серійний номер: усі

Директива щодо машинного обладнання (2006/42/ЕС:2006-05-17).
Використаний стандарт: EN 60335-2-41/A2:2010

Директива щодо електромагнітної сумісності (2004/108/ЕС:2004-12-15).
Використаний стандарт: EN 55014-1/A1:2009 та EN 55014-2/A2:2008
Використаний стандарт: EN 61000-3-2/A2:2009 та EN 61000-3-3:2008

Technical file responsible:

Flemming Asp
Nilfisk FOOD
Blytaekkervej 2
9000 Aalborg, Denmark

Contenido ES

1. Descripción	3
1.1 Estación propulsora Multiamplificador BF16 - BF24	4
1.2 Estación propulsora Multiamplificador BF32 - BF40 - BF48	5
1.3 Diagramas de funcionamiento Multiamplificador	6
2. Mantenimiento	7
2.1 Filtro	7
2.2 Periodos de inutilización prolongados.....	7
3. Nuevo sistema	7
3.1 Nuevas unidades	7
4. Funcionamiento diario	7
4.1 Puesta en marcha	7
4.2 Detención	7
5. Reparaciones	8
5.1 Componentes.....	8
5.1.1 Bomba/motor.....	8
5.1.2 Sistema de control	8
5.1.3 Activador de flujo.....	8
5.1.3.1 Ajuste de la estación propulsora Professional	8
5.1.4 Válvula de retención (toma de entrada).....	8
5.2 Reciclaje y eliminación	8
6. Solución de problemas	9
6.1 La unidad no se pone en marcha.....	9
6.2 El indicador "Δ" del panel de control está encendido.....	10
6.3 La presión es demasiado baja o inestable.....	10
7. Piezas de repuesto recomendadas	11
8. Especificaciones	11
9. Diagrama eléctrico.....	12
10. Curva de la bomba	15
11. Declaración de Conformidad	16



1. Descripción

La estación propulsora de la gama Chameleon Plus es una estación de bombeo con funciones completas que proporciona agua a presión a las estaciones de limpieza satélites conectadas. Por lo tanto el aumentador de presión se debe suministrar agua en suficientes cantidad y energía según especificaciones.

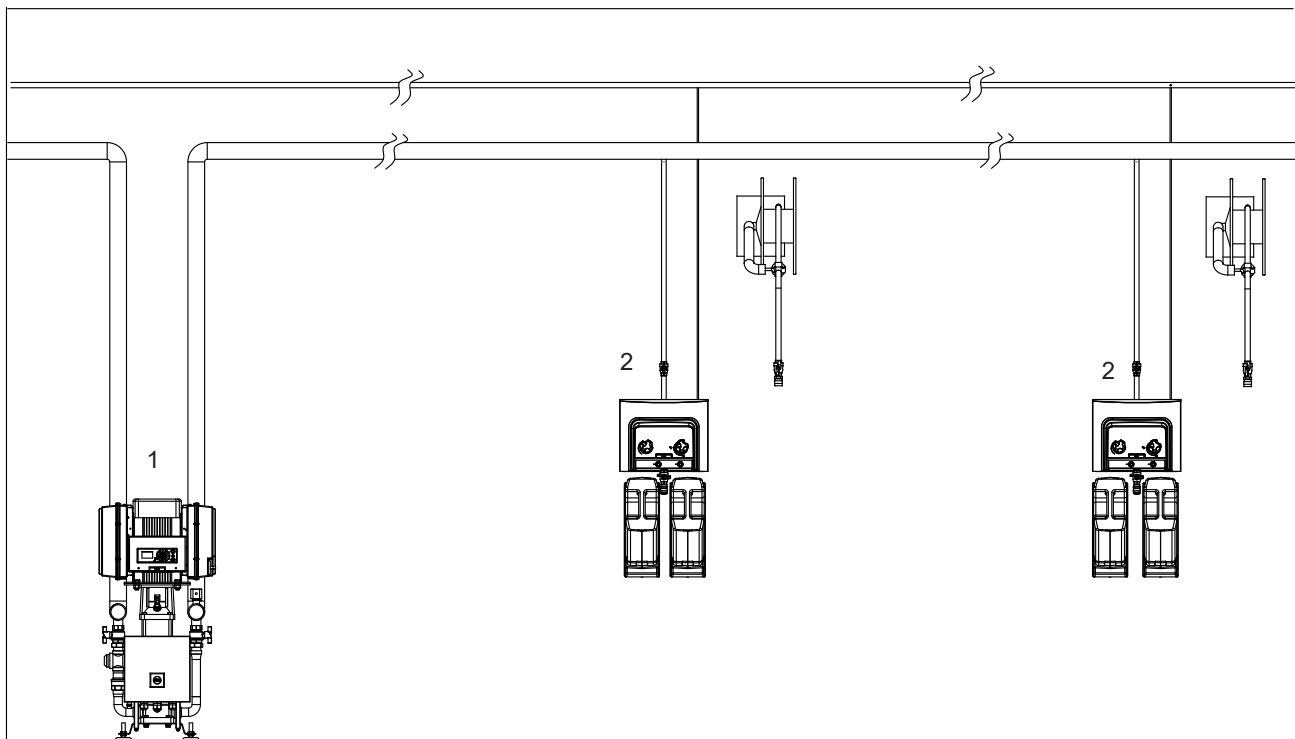
Entonces estará lista para las tareas de limpieza.

La estación propulsora está equipada con una bomba controlada por frecuencia que garantiza una presión de funcionamiento constante, independientemente de cuál sea el patrón de uso.

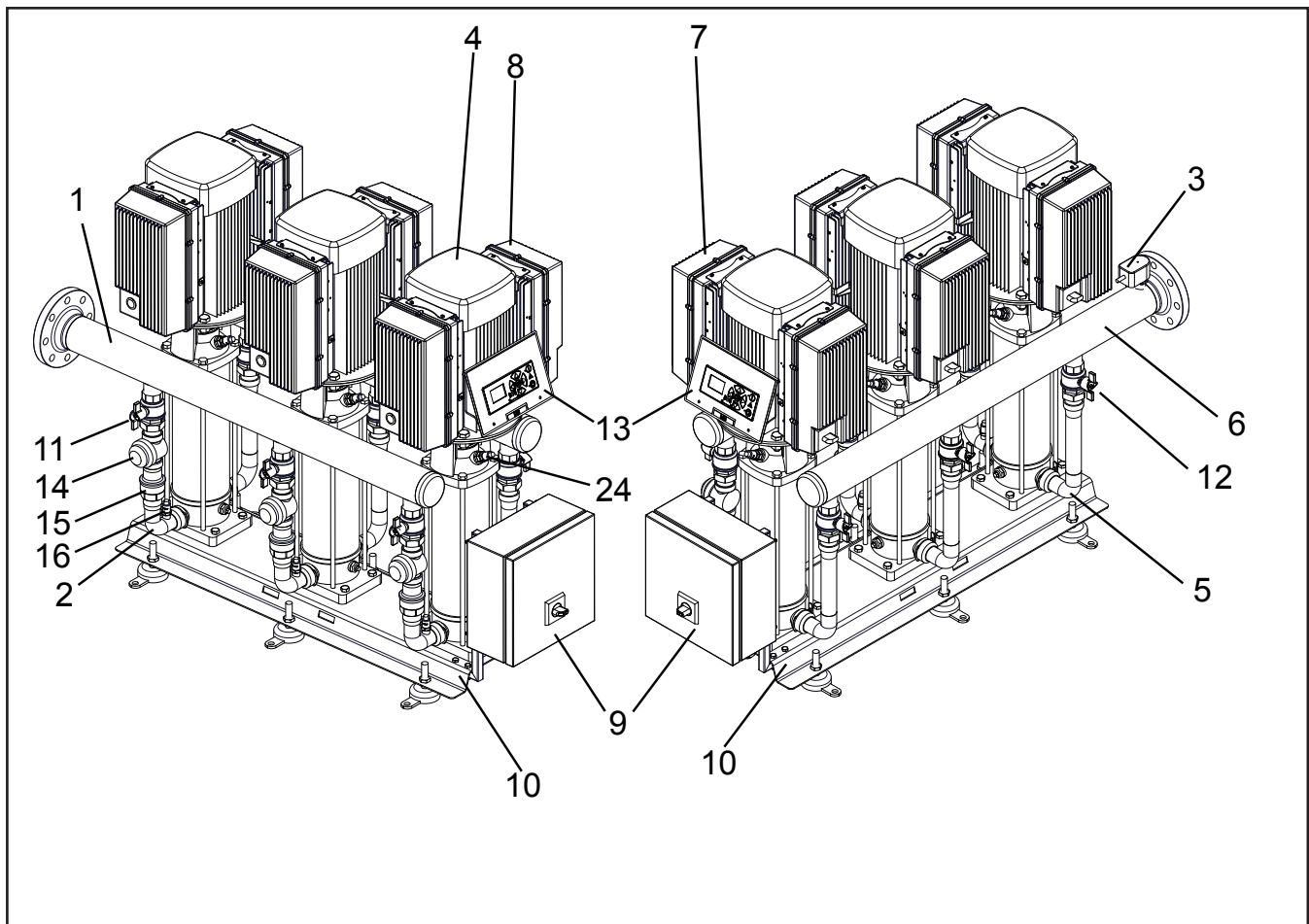
Importante: no utilice el agua del sistema para otro fin que no sea el de limpieza.

Se muestra una instalación típica de propulsor de piso en fig. 2

- Propulsor (1)
- Unidad satélite (2)



110002180

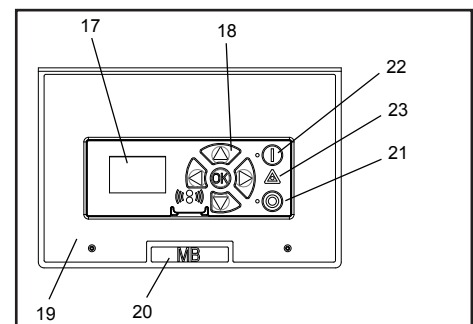


110002115

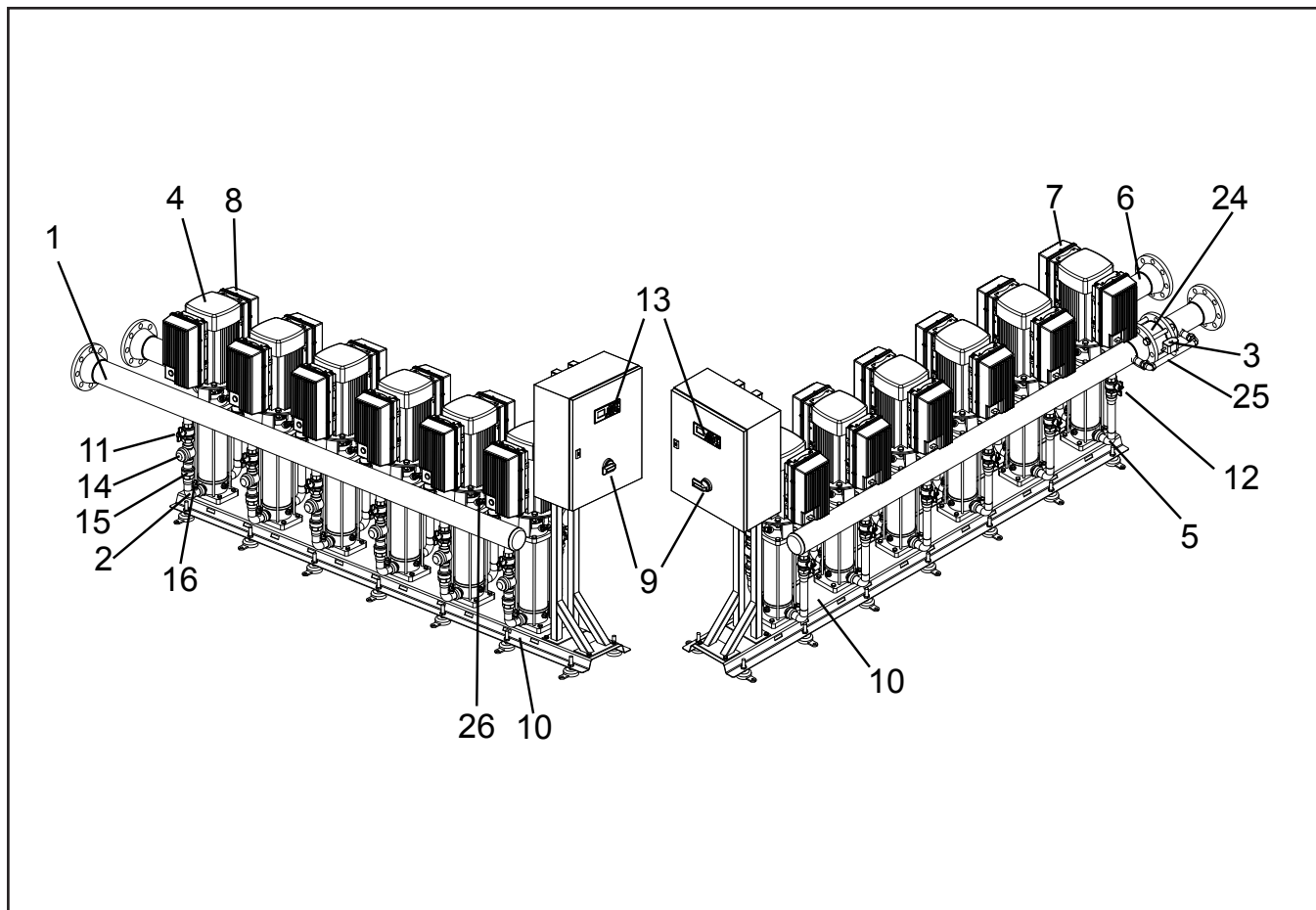
1.7 Estación de propulsión

BF16 - BF24

1. Toma de agua
2. Entrada de válvula de distribución
3. Sensor de activación, sensor de flujo
4. Bomba
5. Salida de válvula de distribución
6. Tubería de salida
7. Unión de entrada
8. Cuadro transformador
9. Caja eléctrica de la conexión
10. Soporte del piso
11. Válvula de bola de la entrada
12. Válvula de bola del enchufe
13. Panel del operador
14. Filtro de suciedad
15. Válvula no de vuelta
16. Sensor de presión.
17. Visor
18. Botones de desplazamiento
19. Etiqueta
20. Etiqueta Conocida
21. •● Botón de detención (pulsador)
22. •I Botón de puesta en marcha (pulsador)
23. •Δ Indicador luminoso de error Δ (una luz por cada error)
24. Sensor de presión.



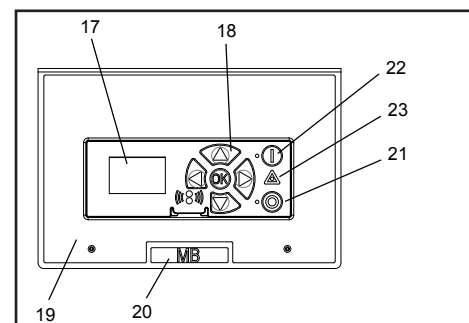
110002183



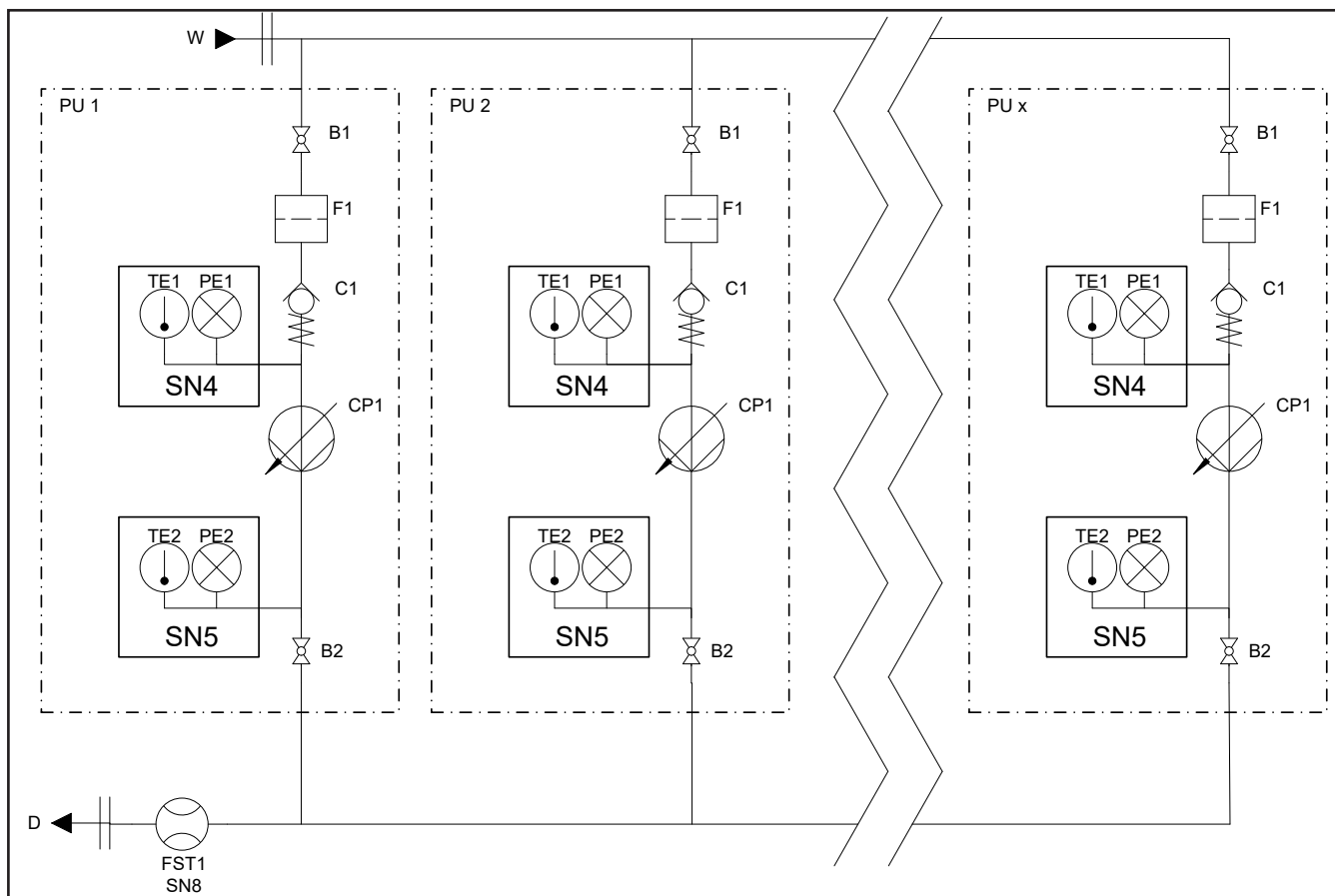
110002116

1.3 Estación de propulsión BF32 - BF40 - BF48

1. Toma de agua
2. Entrada de válvula de distribución
3. Sensor de activación, sensor de flujo
4. Bomba
5. Salida de válvula de distribución
6. Tubería de salida
7. Unión de entrada
8. Cuadro transformador
9. Caja eléctrica de la conexión
10. Soporte del piso
11. Válvula de bola de la entrada
12. Válvula de bola del enchufe
13. Panel del operador
14. Filtro de suciedad
15. Válvula no de vuelta
16. Sensor de presión
17. Visor
18. Botones de desplazamiento
19. Etiqueta
20. Etiqueta Conocida
21. • ○ Botón de detención (pulsador)
22. • I Botón de puesta en marcha (pulsador)
23. • Δ Indicador luminoso de error Δ (una luz por cada error)
24. Válvula de retención para derivación
25. By-pass
26. Sensor de presión



110002183



110002307

1.3 Diagramas de funcionamiento iht. ISO14617

Multiamplificador BF16 - BF24 - BF32 - BF40 - BF48

- B. Válvula esférica
- F. Filtro
- FST. Conmutador de flujo
- C. Válvula de retención
- PE. Sensor de presión
- TE. Sensor de temperatura
- CP. Bomba centrífuga
- D. Salida
- PU. Unité de pompe
- W. Toma de agua
- SN. Nr del Zócalo

2. Mantenimiento

La estación de refuerzo no necesita mantenimiento. Sin embargo, se recomienda limpiarla como el resto de los equipos del área. Limpie el filtro con la debida regularidad (cada 1-3 meses aproximadamente), dependiendo de la cantidad de impurezas del agua.

2.1 Filtro

1. Pulse "0" en el panel de control para detener la estación propulsora

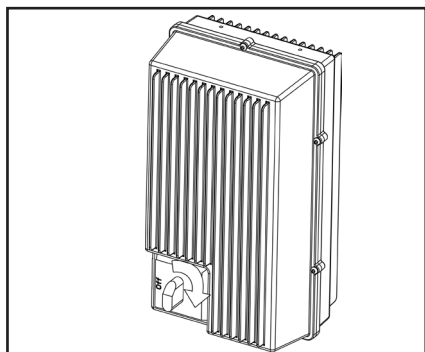


Fig. 1 0627106

2. Active el interruptor del conmutador central (figura 1).
3. Cierre la toma de agua.
4. Abra una tapa (regulador) para liberar presión del sistema.
5. Extraiga el filtro (A, fig. 2) y colóquelo en una solución desincrustante. Nota: Los sistemas MB no se comercializan con un filtro montado en fábrica. En caso de que el sistema MB cuente con un filtro, el procedimiento de desincrustación es el descrito anteriormente.

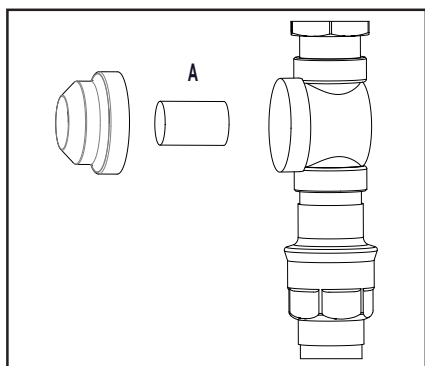


Fig. 2 110002117

6. Enjuague a conciencia el filtro que acaba de limpiar y vuelva a montarlo.
7. Tamaño min. de la malla del filtro 800µ -> 1500µ.

2.2 Antes de paradas prolongadas

Si tiene previsto detener el funcionamiento durante un período de tiempo prolongado (superior a 6 meses) y la bomba se ha vaciado de agua, se recomienda asegurarla de la siguiente forma:

1. Retire la protección de seguridad del acoplamiento.
2. Pulverice unas gotas de aceite de silicona en el eje (árbol) situado entre la sección superior y el acoplamiento.

Siga estrictamente las instrucciones del manual suministrado por el proveedor de la bomba.

3. Puesta en marcha

3.1 Sistema nuevo

Para garantizar una puesta en marcha sin problemas de un sistema nuevo, deberá enjuagar y purgar el sistema de tuberías.

Purga del sistema de tuberías

1. Abra el suministro de agua para enjuagar y purgar la totalidad del sistema. Si hay sistemas satélite instalados, abra la tapa que se encuentre a mayor distancia hasta que deje de salir aire o suciedad. A continuación, siga enjuagando y purgando las tapas siguientes por orden, hasta haber terminado con la que se encuentra más cercana a usted.
2. Monte las estaciones satélite, si las hay.

Purga de la bomba

3. Pulse "0" en el panel de control para detener la estación propulsora

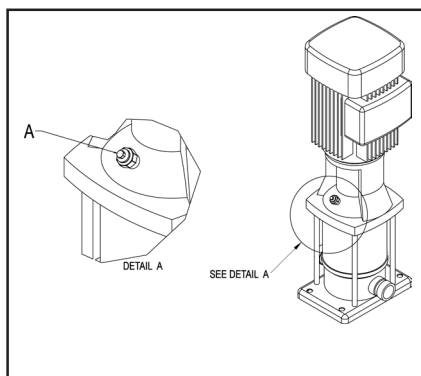


Fig. 3 0627131

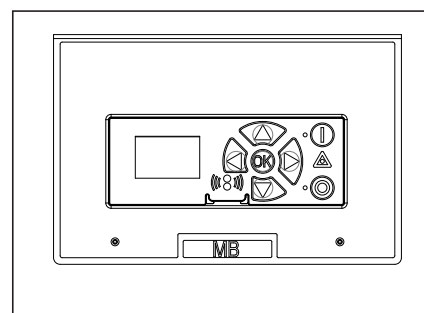


Fig. 4 110002183

4. Afloje el tapón de vaciado 1 ó 2 vueltas (A, figura 3), hasta que empiece a salir agua y aire.

Nota: Nunca afloje el enchufe de la relevación mientras que la bomba está funcionando mientras que ésta puede dañar el embalaje y causar daños corporales.

5. Vuelva a apretar el tapón de vaciado.
6. Ponga en marcha la bomba para que todas las bolsas de aire suban hasta la parte superior.
7. Detenga la bomba.
8. Afloje de nuevo el tapón de vaciado 1 ó 2 vueltas y purgue el sistema hasta que salga sólo agua.
9. Vuelva a apretar el tapón de vaciado.

La estación propulsora estará lista para su puesta en funcionamiento. Pulse "1" en el panel de control. Consulte la figura 4.

4. Funcionamiento diario

4.1 Puesta en marcha

1. Compruebe que los suministros de agua del sistema están abiertos.
2. Pulse "1" en el panel de control para poner en marcha la unidad.

4.2 Detención

1. Pulse "0" en el panel de control para detener la estación.
2. Cierre el suministro de agua.
3. Cierre el suministro de aire.

Nota: es importante cerrar el agua y el aire al dejar la máquina después de su uso, por los siguientes motivos:

- Si el suministro de aire está abierto cuando la estación principal y los satélites no se están utilizando, podría entrar aire en la tubería del agua, lo que puede implicar que haya que volver a purgar el sistema.
- El separador de agua, que forma parte del regulador de aire, sólo deberá vaciarse cuando esté cerrado el aire.
Tras interrupciones prolongadas de la producción (por vacaciones o similares) puede ser necesario volver a purgar el sistema de tuberías y la estación de refuerzo.

5. Reparaciones

Las reparaciones sólo podrá realizarlas personal cualificado autorizado.

Advertencia: el sistema sólo deberá repararse en ausencia de total de voltaje o presión.

1. Apague el interruptor principal en el cuadro de controles (figura 1).
2. Abra una salida de agua para liberar presión en el sistema.

5.1 Componentes

5.1.1 Bomba/motor

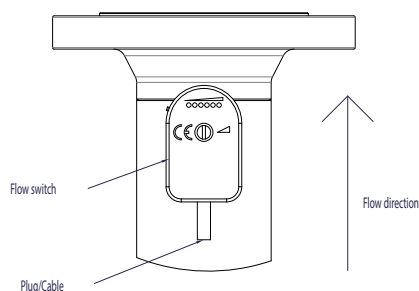
La bomba y el motor no requieren ningún tipo de mantenimiento. Consulte la sección 2.2.

5.1.2 Sistema de control

No necesita mantenimiento. Si está defectuosa, póngase en contacto con el servicio técnico.

5.1.3 Activador de flujo

No necesita mantenimiento. Si está defectuosa, sustituya el conmutador de flujo. La orientación del interruptor de caudal tiene que hacerse de manera que el enchufe/extremo del cable del interruptor apunte en sentido contrario al caudal.



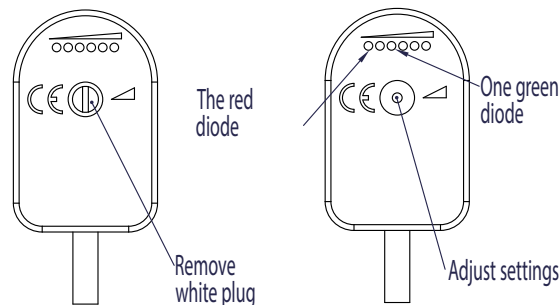
110004660

5.1.3.1 Ajuste del interruptor de caudal

Al cambiar o instalar el interruptor de caudal es necesario ajustarlo.

1. Pulse "1" en el panel de control para encender la máquina.
2. Gire el mango de "enjuague/espuma" de la estación satélite hasta la posición de espuma.
3. Active el mango del pulverizador en la manguera de salida de la estación satélite para que salga el agua.
4. Compruebe que el interruptor de caudal esté girado del modo correcto (el cable debe seguir el sentido contrario del caudal) (véase la ilustración).
5. Antes de realizar el ajuste, quite el enchufe blanco/tornillo (véase la ilustración).
6. Ajuste el caudal hasta que se ilumine un diodo verde (véase la ilustración).
7. Vuelva a cerrar el mango del pulverizador y compruebe que el diodo rojo se enciende.
8. Vuelva a montar el enchufe blanco/tornillo.

Ahora está ajustado el interruptor de caudal.



110004714

5.1.4 Válvula de retención (toma de entrada)

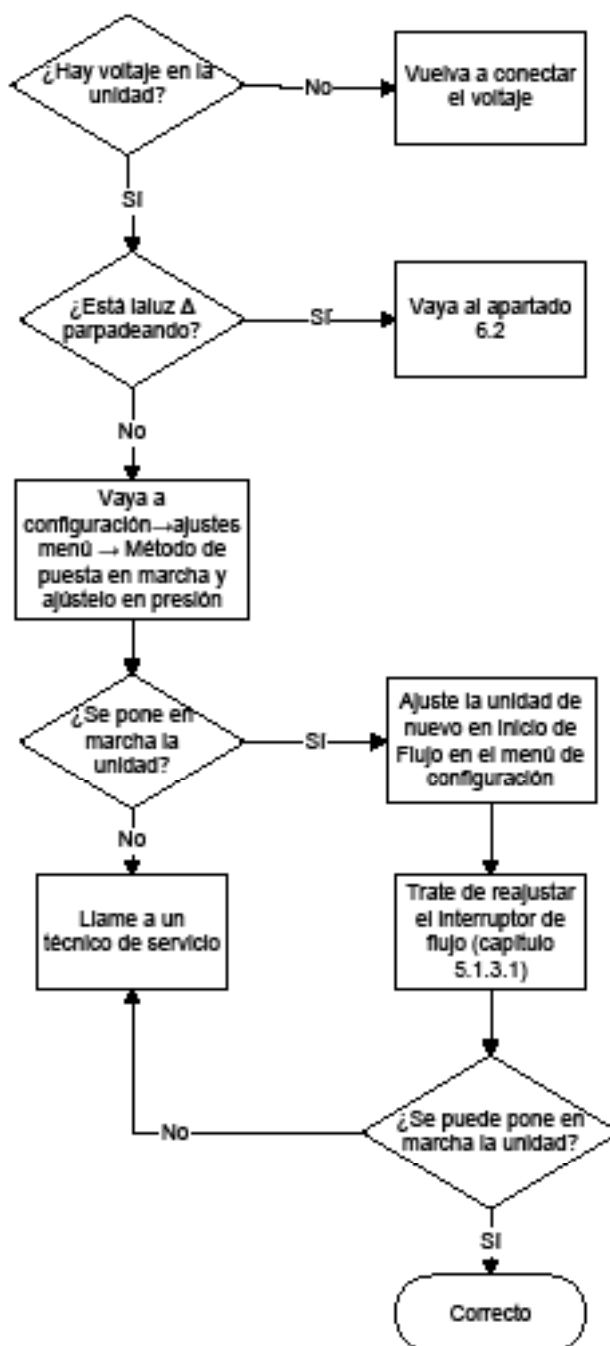
Si está defectuosa, sustituya la válvula de retención.

5.2 Reciclaje y eliminación

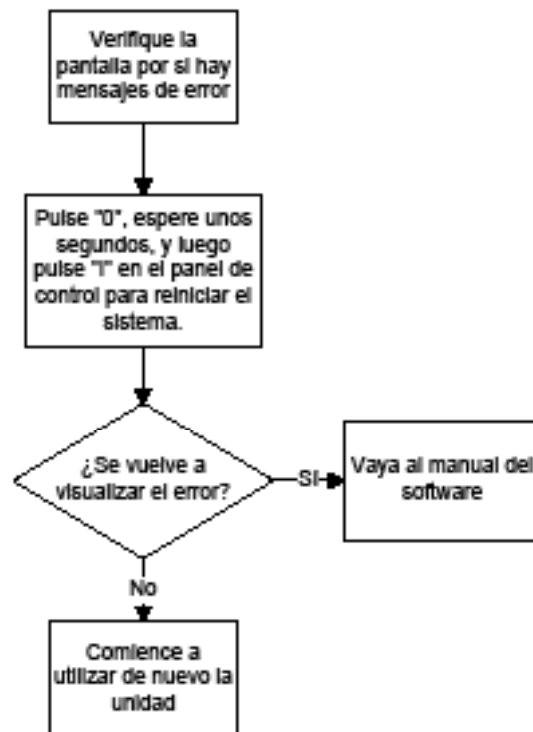
Recicle el embalaje y deseche la máquina según las recomendaciones de las autoridades locales.

6. Solución de problemas

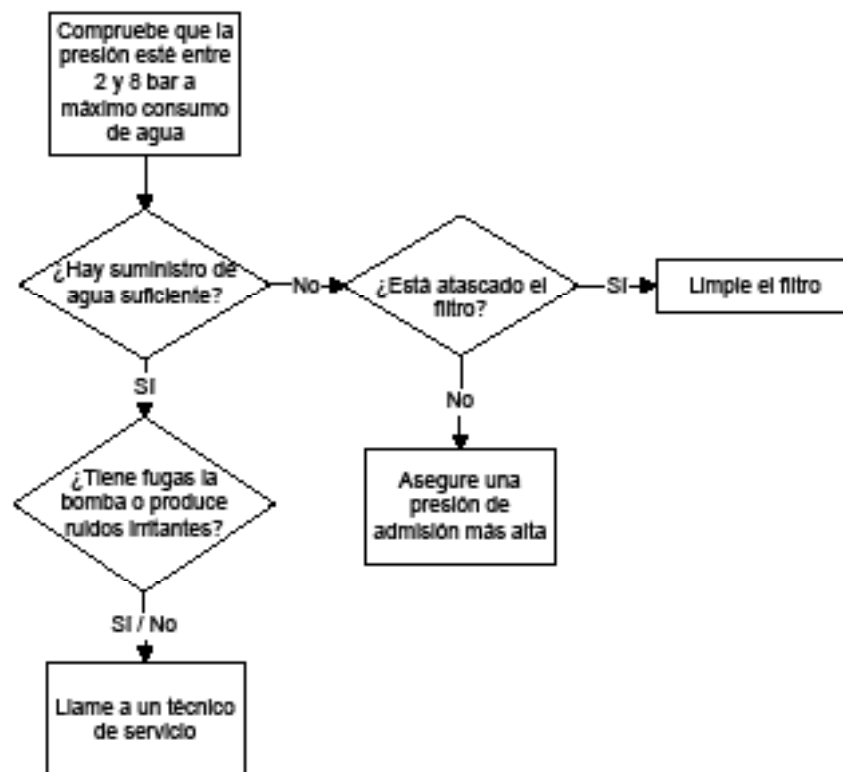
6.1 La unidad no se pone en marcha.



6.2 El indicador “Δ” del panel de control está encendido.



6.3 ¿Si la presión de entrada es baja o inestable!



7. Piezas de repuesto recomendadas

Los recambios recomendados se marcan con * en el manual del recambio.

8. Especificaciones

Données techniques	Unit.	Booster/Main station.				
		Advanced*	Proff.*			
Eau		3 (4 kW)	3 (4 kW)	4 (5.5 kW)	7 (10kW)**	8 (11 kW)*
Pression sortie max.	bar	25	25	25	22	25
Consommation au rinçage 1)	L/min	90	90	120	210	240
Consommation à l'aspersion de mousse.	L/min	30	30	40	80	80
Pression alimentation min.	bar	2	2	2	2	2
Pression alimentation max.	bar	8	8	8	8	8
Alimentation eau min.	L/min	100	100	135	265	265
Temp. Eau max.	°C	70	70	70	70	70
Diamètre conduit admission	Pouce	1.1/4"	1.1/4"	1.1/4"	1.1/4"	2"
Diamètre conduit sortie	Pouce	1.1/4"	1.1/4"	1.1/4"	1.1/4"	2"
Electricité						
Tension alimentation (V Hz)*	V	3/PE 400/480 V ±10%				
Fréquence	Hz	50/60 Hz 48 0%... 62 +0%				
Charge moteur (kW)	kW	4	4	5.5	5.5	10
Installation to EN 60204-1						
Courante nominale	A	10.6	10.6	14.2	14.2	27
Fusible	A	16	16	20	20	35
L1, L2, L3, PE	mm2	2.5	2.5	2.5	2.5	6
Généralités						
Niveau sonore ISO 11202	dB	85 dB	-	-	-	-
Dimensions	mm	1070 x 550 x 375	785 x 550 x 375	1074 x 557 x 382	1074 x 557 x 382	990 x 535 x 364
Poids (kg)	kg	85	60	75	75	80

Todas las especificaciones se basan en la fuente de 5 barras.

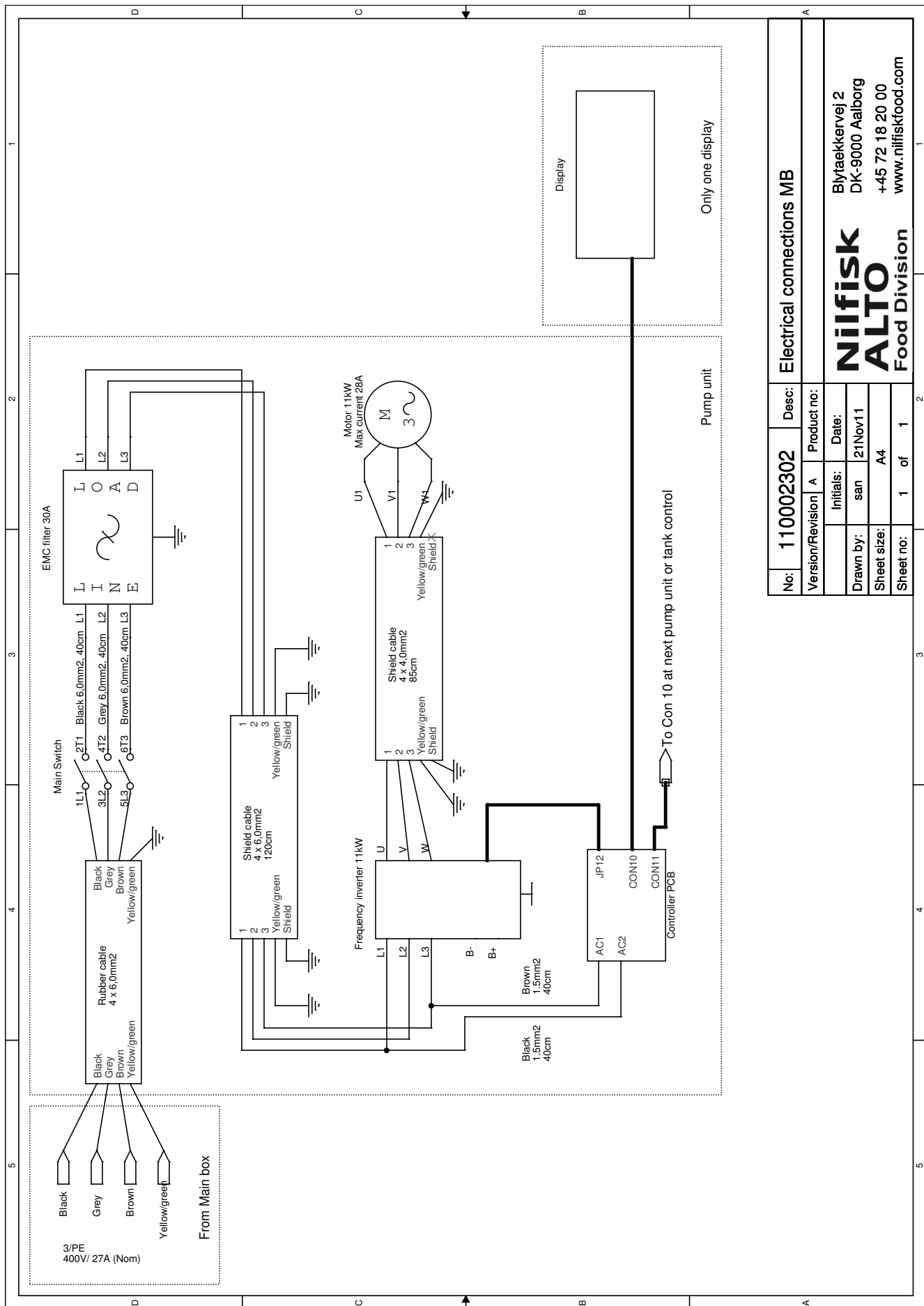
Nota

*Bombea la barra de la presión 20 + la barra del máximo 25 de la presión de entrada.

** Bombea la barra de la presión 20 + la barra del máximo 22 de la presión de entrada.

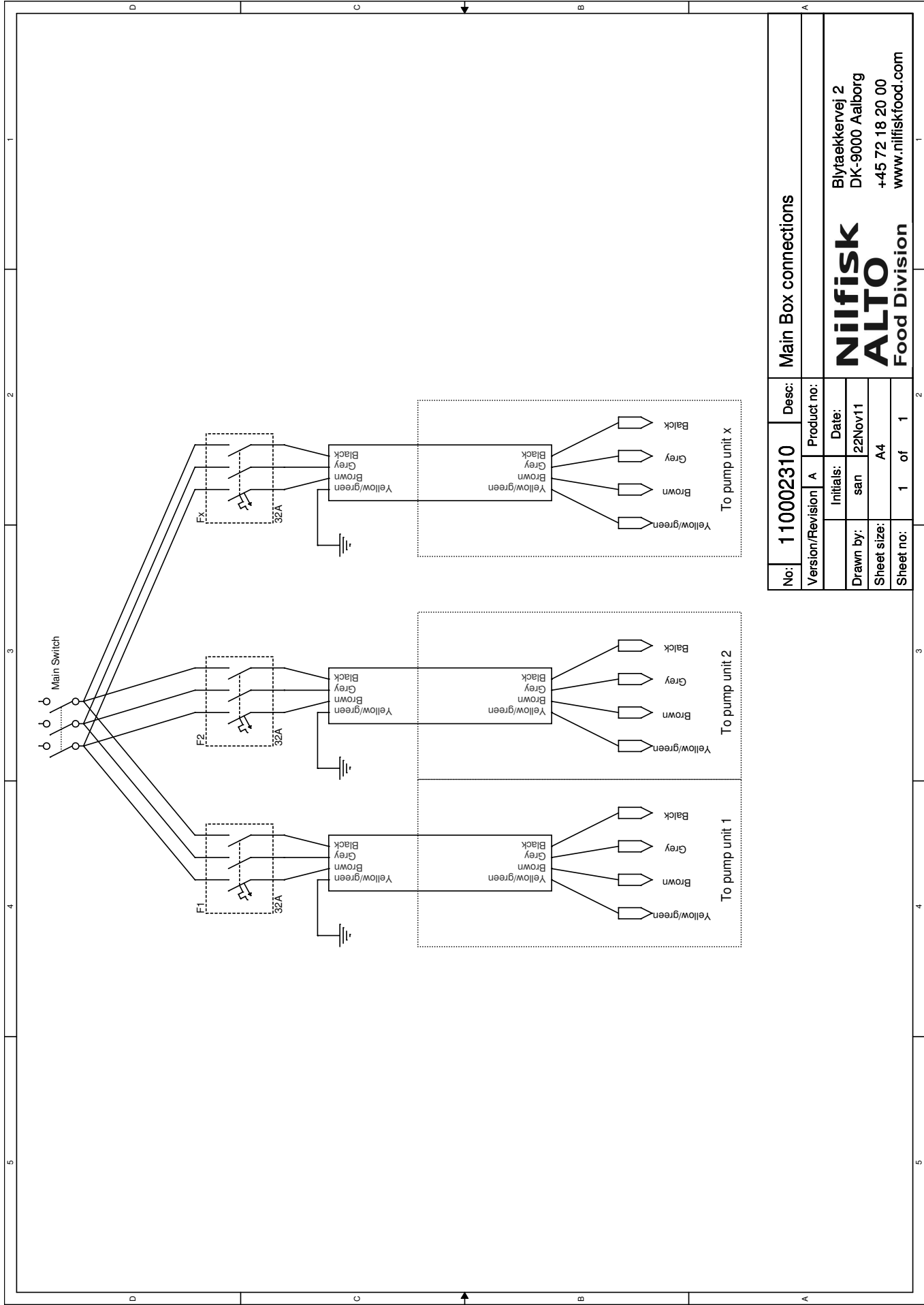
1) 1 usuario por 30l/min.

9. Piezas de repuesto recomendadas



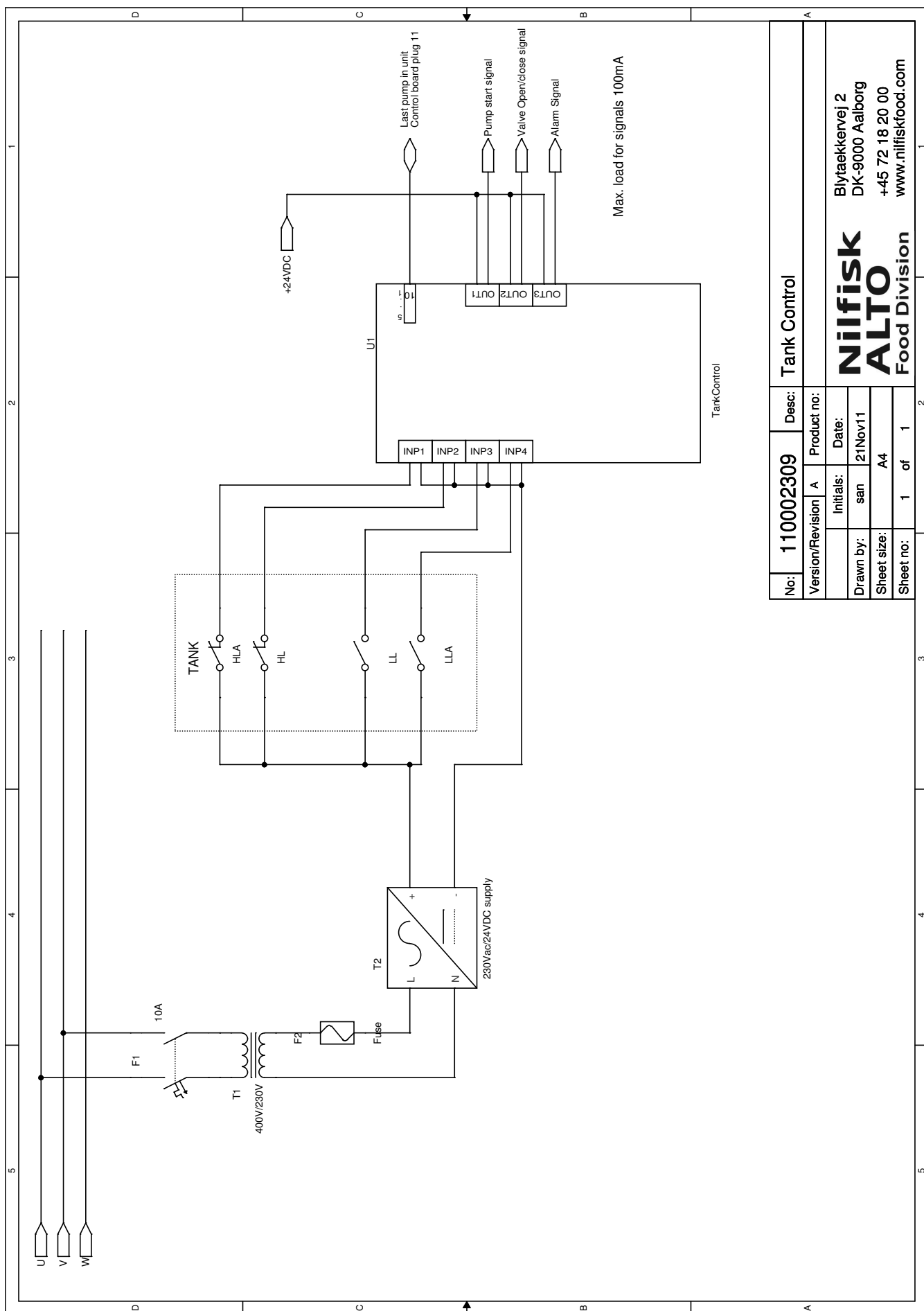
No:	110002302	Desc:	Electrical connections MB
Version/Revision:	A	Product no:	
Initials:	san	Date:	21Nov11
Drawn by:	san	Sheet size:	A4
Sheet no:	1	of	1

Nilfisk ALTO
Food Division
Blytaekkervej 2
DK-9000 Aalborg
+45 72 18 20 00
www.nilfiskfood.com



No: 110002310		Desc: Main Box connections	
Version/Revision	A	Product no:	
Initials:	san	Date:	22Nov11
Drawn by:			
Sheet size:	A4		
Sheet no:	1	of	1

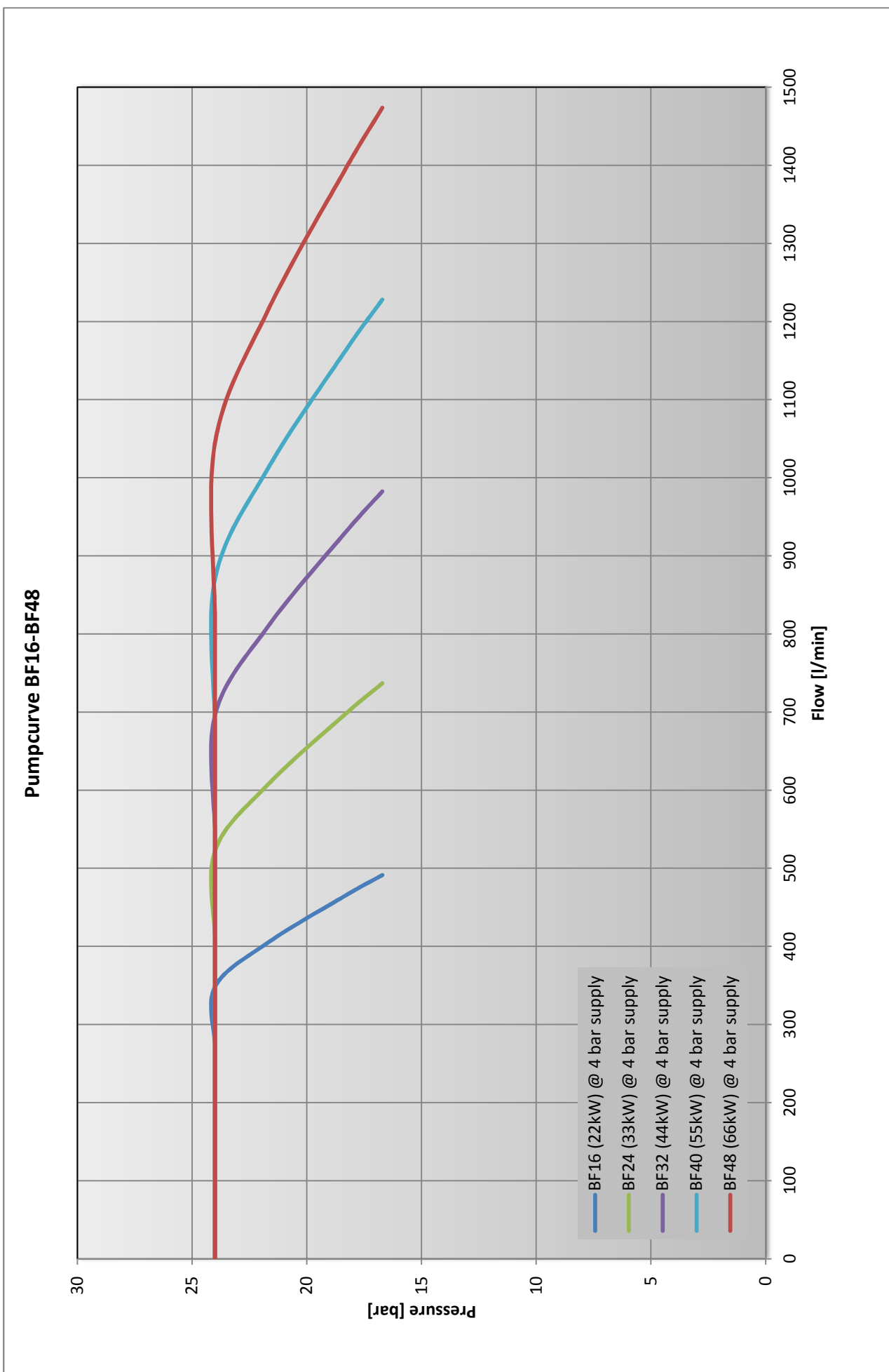
Nilfisk ALTO
Food Division
Blytaekervej 2
DK-9000 Aalborg
+45 72 18 20 00
www.nifiskfood.com



No:	110002309		Desc:	Tank Control	
Version/Revision	A	Product no:			
Drawn by:	san	Initials:	san	Date:	21Nov11
Sheet size:	A4				
Sheet no:	1	of	1		

Nilfisk
ALTO
 Food Division
 Blytaekervej 2
 DK-9000 Aalborg
 +45 72 18 20 00
 www.nilfiskfood.com

10. Curva de la bomba



110000455

11. Declaración de Conformidad

BF16, BF24, BF32, BF40, BF48

- Ⓝ Declaration of Conformity
- Ⓝ Konformitätserklärung
- Ⓝ Déclaration de Conformité
- Ⓝ Dichiarazione di Conformità

- Ⓝ Declaración de Conformidad
- Ⓝ Declaração de Conformidade
- Ⓝ Δήλωση Συμμόρφωσης
- Ⓝ Overeenkomstigheidsverklaring
- Ⓝ Försäkran om överensstämmelse
- Ⓝ Vaatimustenmukaisuusvakuutus
- Ⓝ Overensstemmelseserklæring
- Ⓝ Deklaracja zgodności
- Ⓝ Декларация о соответствии
- Ⓝ Megfelelőségi nyilatkozat
- Ⓝ Izjava o skladnosti
- Ⓝ Izjava o usklađenosti
- Ⓝ Deklaracija o konformitetu
- Ⓝ Declarație de Conformitate

Nilfisk FOOD
Blytækkervej 2
9000 Aalborg
Danmark

EN Declaration of Conformity

We Nilfisk FOOD, declare under our sole responsibility that the products BF16+, BF24+, BF32+, BF40+, BF48+, to which this declaration relates, are in conformity with these Council directives on the approximation of the laws of the EC member states:

Function: Pumping Station
Model/Type: BF16-2+, BF24-3+, BF32-4+, BF40-5+, BF48-6+.
Serial number: All

Machinery Directive (2006/42/EC:2006-05-17).
Standard used: EN 60335-2-41/A2:2010

EMC Directive (2004/108/EC:2004-12-15).
Standard used: EN 55014-1/A1:2009 and EN 55014-2/A2:2008
Standard used: EN 61000-3-2/A2:2009 and EN 61000-3-3:2008

FR Déclaration de conformité

Nous, Nilfisk FOOD, déclarons sous notre propre responsabilité que les produits BF16+, BF24+, BF32+, BF40+, BF48+, auxquels se réfère cette déclaration, sont conformes à ces directives du Conseil sur le rapprochement des législations des États membres :

Fonction : Station de pompage
Modèle/Type : BF16-2+, BF24-3+, BF32-4+, BF40-5+, BF48-6+.
Numéro de série : Tous

Directive 2006/42/CE du 17 mai 2006 relative aux machines
Normes appliquées : EN 60335-2-41/A2:2010

Directive CEM (2004/108/CE:2004-12-15).
Normes appliquées : EN 55014-1/A1:2009 et EN 55014-2/A2:2008
Normes appliquées : EN 61000-3-2/A2:2009 et EN 61000-3-3:2008

DE Konformitätserklärung

Nilfisk FOOD, als alleinverantwortlich, erklären hiermit, dass: BF16+, BF24+, BF32+, BF40+, BF48+, in Übereinstimmung mit den Richtlinien zur Angleichung der Rechtsvorschriften der Mitgliedstaaten ist:

Funktion: Pumpenstation
Modell/Typ: BF16-2+, BF24-3+, BF32-4+, BF40-5+, BF48-6+.
Seriennummer: Alle

Maschinendirektive (2006/42/EC:2006-05-17).
Standarden: EN 60335-2-41/A2:2010

EMC Direktive (2004/108/EC:2004-12-15).
Standarden: EN 55014-1/A1:2009 og EN 55014-2/A2:2008
Standarden: EN 61000-3-2/A2:2009 og EN 61000-3-3:2008

IT Dichiarazione di conformità

Nilfisk FOOD dichiara sotto la sua esclusiva responsabilità che i prodotti BF16+, BF24+, BF32+, BF40+, BF48+, ai quali fa riferimento la presente dichiarazione, sono conformi alle direttive del Consiglio concernenti il riavvicinamento delle legislazioni degli stati membri della UE:

Funzione: Stazione di pompaggio
Modello/Tipo: BF16-2+, BF24-3+, BF32-4+, BF40-5+, BF48-6+.
Numero di serie: Tutti

Direttiva Macchine (2006/42/CE:2006-05-17).
Standard utilizzato: EN 60335-2-41/A2:2010

Direttiva EMC (2004/108/CE:15.12.04).
Standard utilizzato: EN 55014-1/A1:2009 ed EN 55014-2/A2:2008
Standard utilizzato: EN 61000-3-2/A2:2009 ed EN 61000-3-3:2008

ES Declaración de Conformidad

Nosotros, Nilfisk FOOD, declaramos bajo nuestra única responsabilidad que los productos BF16+, BF24+, BF32+, BF40+, BF48+, a los que se refiere esta declaración cumplen con las directivas de este Consejo sobre la legislación de los estados miembros de la CE:

Función: Estación de bombeo
Modelo/tipo: BF16-2+, BF24-3+, BF32-4+, BF40-5+, BF48-6+.
Número de serie: All

Directiva sobre máquinas (2006/42/EC:2006-05-17).
Normativa usada: EN 60335-2-41/A2:2010

Directiva CEM (2004/108/EC:15.12.04).
Normativa usada: EN 55014-1/A1:2009 y EN 55014-2/A2:2008
Normativa usada: EN 61000-3-2/A2:2009 y EN 61000-3-3:2008

PT Declaração de Conformidade

A Nilfisk FOOD declara, por sua exclusiva responsabilidade que os produtos BF16+, BF24+, BF32+, BF40+, BF48+, referidos nesta declaração, se encontram em conformidade com estas diretivas do Conselho relativas à aproximação das disposições legislativas dos Estados-Membros da CE:

Função: Estação de bombagem
Modelo/Tipo: BF16-2+, BF24-3+, BF32-4+, BF40-5+, BF48-6+.
Número de série: Todos

Diretiva relativa às máquinas (2006/42/CE:2006-05-17).
Norma utilizada: EN 60335-2-41/A2:2010

Diretiva CEM (2004/108/CE:2004-12-15).
Norma utilizada: EN 55014-1/A1:2009 e EN 55014-2/A2:2008
Norma utilizada: EN 61000-3-2/A2:2009 e EN 61000-3-3:2008

EL Δήλωση Συμμόρφωσης

Εμείς η Nilfisk FOOD, δηλώνουμε υπό την αποκλειστική μας ευθύνη ότι τα προϊόντα BF16+, BF24+, BF32+, BF40+, BF48+, Με τον οποίο σχετίζεται αυτή η δήλωση, συμμορφώνονται με τις παρακάτω οδηγίες του συμβουλίου σχετικά με την προσέγγιση των νόμων των κρατών μελών της ΕΚ:

Λειτουργία: Σταθμός άντλησης
Μοντέλο/Τύπος: BF16-2+, BF24-3+, BF32-4+, BF40-5+, BF48-6+.
Αριθμός σειράς: Όλοι

Οδηγία περί μηχανημάτων (2006/42/EC:2006-05-17).
Χρησιμοποιούμενο πρότυπο: EN 60335-2-41/A2:2010

Οδηγία ΗΜΣ (2004/108/EC:15.12.04).
Χρησιμοποιούμενο πρότυπο: EN 55014-1/A1:2009 και EN 55014-2/A2:2008
Χρησιμοποιούμενο πρότυπο: EN 61000-3-2/A2:2009 και EN 61000-3-3:2008

NL Overeenkomstigheidsverklaring

Wij, Nilfisk FOOD, verklaren geheel onder eigen verantwoordelijkheid dat de producten BF16+, BF24+, BF32+, BF40+, BF48+, waarop deze verklaring betrekking heeft, in overeenstemming zijn met de volgende Richtlijnen van de Raad betreffende de onderlinge aanpassing van de wetgevingen van de EG-lidstaten:

Functie: Pompinstallatie
Model/Type: BF16-2+, BF24-3+, BF32-4+, BF40-5+, BF48-6+.
Serienummer: Alle

Machinerichtlijn (2006/42/EG:17-05-2006).
Toegepaste norm: EN 60335-2-41/A2:2010

EMC-richtlijn (2004/108/EG:15-12-2004).
Toegepaste norm: EN 55014-1/A1:2009 en EN 55014-2/A2:2008
Toegepaste norm: EN 61000-3-2/A2:2009 en EN 61000-3-3:2008

SV Försäkran om överensstämmelse

Vi Nilfisk FOOD, tillkännager, under eget ansvar, att produkterna BF16+, BF24+, BF32+, BF40+, BF48+, som omfattas av denna försäkran, är i överensstämmelse med rådets direktiv om tillnärmning av medlemsstaternas lagstiftning i EG:

Funktion: Pumpstation
Modell/typ: BF16-2+, BF24-3+, BF32-4+, BF40-5+, BF48-6+.
Serienummer: Alla

Maskindirektiv (2006/42/EC:2006-05-17).
Standard som används: EN 60335-2-41/A2:2010

EMC-direktivet (2004/108/EG :2004-12-15).
Standard som används: EN 55014-1/A1:2009 och EN 55014-2/A2:2008
Standard som används: EN 61000-3-2/A2:2009 och EN 61000-3-3:2008

FI Vaatimustenmukaisuusvakuutus

Me Nilfisk FOOD vakuutamme yksinomaisella vastuulla, että tuotteet BF16+, BF24+, BF32+, BF40+, BF48+, jota tämä vakuutus koskee, noudattavat direktiivejä, jotka käsittelevät EY:n jäsenvaltioiden lakien yhdenmukaisuutta koskien seuraavia:

Toiminto: Pumpuasema
Malli/tyyppi: BF16-2+, BF24-3+, BF32-4+, BF40-5+, BF48-6+.
Sarjanumero: Kaikki

Konedirektiivi (2006/42/EY:2006-05-17).
Käytetty standardi: EN 60335-2-41/A2:2010

EMC-direktiivi (2004/108/EY:2004-12-15).
Käytetty standardi: EN 55014-1/A1:2009 ja EN 55014-2/A2:2008
Käytetty standardi: EN 61000-3-2/A2:2009 ja EN 61000-3-3:2008

DA Overensstemmelseserklæring

Nilfisk FOOD, erklærer under eneansvar, at produktet: BF16+, BF24+, BF32+, BF40+, BF48+, som denne erklæring vedrører, er i overensstemmelse med følgende direktiver om tilnærmelse af EU medlemslandenes love:

Function: Pumping Station
Model/Type: BF16-2+, BF24-3+, BF32-4+, BF40-5+, BF48-6+.
Serial number: All

Machinery Directive (2006/42/EC:2006-05-17).
Standard used: EN 60335-2-41/A2:2010

EMC Directive (2004/108/EC:2004-12-15).
Standard used: EN 55014-1/A1:2009 and EN 55014-2/A2:2008
Standard used: EN 61000-3-2/A2:2009 and EN 61000-3-3:2008

RU Декларация о соответствии

Мы, Nilfisk FOOD, принимая на себя всю ответственность, заявляем, что продукты Усовершенствованная BF16+, BF24+, BF32+, BF40+, BF48+, которых касается настоящая декларация, соответствуют данным директивам Совета о приблизительном соответствии законам стран-членов СЕ:

Функциональное назначение: Насосная станция
Модель/Тип: BF16-2+, BF24-3+, BF32-4+, BF40-5+, BF48-6+.
Серийный номер: все

Директива машин (2006/42/EC:17-05-2006).
Используемый стандарт: EN 60335-2-41/A2:2010

Директива ЭМС (2004/108/EC:15-12-2004).
Используемый стандарт: EN 55014-1/A1:2009 и EN 55014-2/A2:2008
Используемый стандарт: EN 61000-3-2/A2:2009 и EN 61000-3-3:2008

SL Izjava o skladnosti

V Nilfisk FOODu s polno odgovornostjo izjavljamo, da so naši izdelki BF16+, BF24+, BF32+, BF40+, BF48+, na katere se ta izjava nanaša, v skladu z naslednjimi direktivami Sveta o približevanju zakonodaje za izenačevanje pravnih predpisov držav članic ES:

Funkcija: Črpalna postaja
Model/Tip: BF16-2+, BF24-3+, BF32-4+, BF40-5+, BF48-6+.
Serijska številka: Vse

Direktiva o strojih (2006/42/EC:2006-05-17).
Uporabljeni standardi: EN 60335-2-41/A2:2010

Direktiva o elektromagnetni združljivosti (2004/108/EC:2004-12-15).
Uporabljeni standardi: EN 55014-1/A1:2009 and EN 55014-2/A2:2008
Uporabljeni standardi: EN 61000-3-2/A2:2009 and EN 61000-3-3:2008

PL Deklaracja zgodności

Firma Nilfisk ALTO z pełną odpowiedzialnością oświadcza, że produkty BF16+, BF24+, BF32+, BF40+, BF48+, których dotyczy ta deklaracja, spełniają wymogi poniższych dyrektywa Rady zgodnymi z prawem obowiązującym państwa członkowskie UE:

Funkcja: Stacja pompująca
Model/typ BF16-2+, BF24-3+, BF32-4+, BF40-5+, BF48-6+.
Numer seryjny: Wszystkie

Dyrektywa Maszynowa (2006/42/EC:2006-05-17).
Stosowana norma: EN 60335-2-41/A2:2010

Dyrektywa w sprawie kompatybilności elektromagnetycznej (2004/108/EC:15.12.04).
Stosowane normy: EN 55014-1/A1:2009 i EN 55014-2/A2:2008
Stosowane normy: EN 61000-3-2/A2:2009 i EN 61000-3-3:2008

HU Megfelelőségi nyilatkozat

Mi, a Nilfisk FOOD, kizárólagos felelősségünk tudatában kijelentjük, hogy a BF16+, BF24+, BF32+, BF40+, BF48+, amelyekre ez a nyilatkozat vonatkozik, megfelelnek az EU tagállamok törvényi rendelkezéseinek közelítéséről szóló tanácsi irányelveknek:

Funkció: Szivattyútelep
Modell/Típus: BF16-2+, BF24-3+, BF32-4+, BF40-5+, BF48-6+.
Sorozatszám: Összes

Gépekre vonatkozó irányelv (2006/42/EC:2006-05-17).
Alkalmazott szabvány: EN 60335-2-41/A2:2010

EMC irányelv (2004/108/EC:2004-12-15).
Alkalmazott szabvány: EN 55014-1/A1:2009 és EN 55014-2/A2:2008
Alkalmazott szabvány: EN 61000-3-2/A2:2009 és EN 61000-3-3:2008

HR Izjava o usklađenosti

Mi, Nilfisk FOOD, izjavljujemo pod vlastitom odgovornošću da je proizvod BF16+, BF24+, BF32+, BF40+, BF48+, na koji se ova izjava odnosi, u skladu s direktivama ovog Vijeća o usklađivanju zakona država članica EU:

Funkcija: Pumpna postaja
Model/vrsta: BF16-2+, BF24-3+, BF32-4+, BF40-5+, BF48-6+.
Serijski broj: Svi

Izjava o strojevima (2006/42/EC:2006-05-17).
Primijenjena norma: EN 60335-2-41/A2:2010

Izjava o elektromagnetskoj kompatibilnosti (2004/108/EC:2004-12-15).
Primijenjena norma: EN 55014-1/A1:2009 i EN 55014-2/A2:2008
Primijenjena norma: EN 61000-3-2/A2:2009 i EN 61000-3-3:2008

SR Deklaracija o konformitetu

Mi, Nilfisk FOOD, izjavljujemo pod vlastitom odgovornošću da je proizvod BF16+, BF24+, BF32+, BF40+, BF48+, na koji se ova izjava odnosi, u skladu sa direktivama, Saveta za usklađivanje zakona država članica EU:

Funkcija: Stanica za pumpanje
Model/tip: BF16-2+, BF24-3+, BF32-4+, BF40-5+, BF48-6+.
serijski broj: Kompletna

direktiva o mašinama (2006/42/EC:2006-05-17).
Primenjen standard: EN 60335-2-41/A2:2010

EMC direktiva (2004/108/EC:2004-12-15).
Primenjen standard: EN 55014-1/A1:2009 i EN 55014-2/A2:2008
Primenjen standard: EN 61000-3-2/A2:2009 i EN 61000-3-3:2008

RO Declarație de Conformitate

Noi, Nilfisk FOOD, declarăm pe propria răspundere că produsele BF16+, BF24+, BF32+, BF40+, BF48+, la care se referă această declarație, sunt în conformitate cu aceste Directive de Consiliu asupra armonizării legilor Statelor Membre CE:

Funcție: Stație de igienizare și de pompare
Model/Tip: BF16-2+, BF24-3+, BF32-4+, BF40-5+, BF48-6+.
Număr de serie: toate

Directiva Mașini (2006/42/EC:2006-05-17).
Standarde utilizate: EN 60335-2-41/A2:2010

Directiva EMC (2004/108/EC:15.12.04).
Standarde utilizate: EN 55014-1/A1:2009 și EN 55014-2/A2:2008
Standarde utilizate: EN 61000-3-2/A2:2009 și EN 61000-3-3:2008

BG Декларация за съответствие

Ние, фирма Nilfisk FOOD, заявяваме с пълна отговорност, че продуктите BF16+, BF24+, BF32+, BF40+, BF48+, за които се отнася настоящата декларация, отговарят на следните указания на Съвета за уеднаквяване на правните разпоредби на държавите членки на ЕС:

Функция: Помпена станция
Модел/Тип: BF16-2+, BF24-3+, BF32-4+, BF40-5+, BF48-6+.
Сериен номер: Всички

Директива относно машините (2006/42/EO: 17.05.2006 г.).
Използван стандарт: EN 60335-2-41/A2:2010

Директива относно електромагнитната съвместимост (2004/108/EO: 15.12.2004 г.).
Използван стандарт: EN 55014-1/A1:2009 и EN 55014-2/A2:2008
Използван стандарт: EN 61000-3-2/A2:2009 и EN 61000-3-3:2008

CS Prohlášení o shodě

My firma Nilfisk FOOD prohlašujeme na svou plnou odpovědnost, že výrobky BF16+, BF24+, BF32+, BF40+, BF48+, na něž se toto prohlášení vztahuje, jsou v souladu s ustanoveními směrnice Rady pro sblížení právních předpisů členských států Evropského společenství v oblastech:

Funkce: Čerpací stanice
Model/Typ: BF16-2+, BF24-3+, BF32-4+, BF40-5+, BF48-6+.
Výrobní číslo: Všechna

Směrnice o strojních zařízeních (2006/42/EC:2006-05-17).
Použitá norma: EN 60335-2-41/A2:2010

Směrnice EMC (2004/108/EC:2004-12-15).
Použitá norma: EN 55014-1/A1:2009 a EN 55014-2/A2:2008
Použitá norma: EN 61000-3-2/A2:2009 a EN 61000-3-3:2008

SK Prehlásenie o konformite

My firma Nilfisk FOOD prehlasujeme na svoju plnú zodpovednosť, že výrobky BF16+, BF24+, BF32+, BF40+, BF48+, na ktoré sa toto prehlásenie vzťahuje, sú v súlade s ustanovením smernice Rady pre zblíženie právnych predpisov členských štátov Európskeho spoločenstva v oblastiach:

Funkcia: Čerpacia stanica
Model/tip: BF16-2+, BF24-3+, BF32-4+, BF40-5+, BF48-6+.
Sériové číslo: Všetky

Smernica o strojních zariadeniach (2006/42/ES: 17.5.2006).
Použitá norma: EN 60335-2-41/A2: 2010

Smernica o elektromagnetickej kompatibilite (2004/108/ES: 15.12.2004).
Použitá norma: EN 55014-1/A1: 2009 a EN 55014-2/A2: 2008
Použitá norma: EN 61000-3-2/A2: 2009 a EN 61000-3-3: 2008

TR Uygunluk Bildirgesi

Nilfisk FOOD olarak bu beyannameye konu olan BF16+, BF24+, BF32+, BF40+, BF48+, ürünlerinin, AB Üyesi Ülkelerin kanunlarını birbirine yaklaştırma üzerine Konsey Direktifleriyle uyumlu olduğunu yalnızca bizim sorumluluğumuz altında olduğunu beyan ederiz:

Fonksiyon: Pompalama İstasyonu
Model/Tip: BF16-2+, BF24-3+, BF32-4+, BF40-5+, BF48-6+.
Seri numarasi: Tümü

Makine Direktifi (2006/42/EC:2006-05-17).
Kullanılmış standartlar: EN 60335-2-41/A2:2010

EMC Direktifi (2004/108/EC:2004-12-15).
Kullanılmış standartlar: EN 55014-1/A1:2009 ve EN 55014-2/A2:2008
Kullanılmış standartlar: EN 61000-3-2/A2:2009 ve EN 61000-3-3:2008

ET Vastavusdeklaratsioon

Meie, Nilfisk FOOD, deklareerime enda ainuvastutusel, et tooted BF16+, BF24+, BF32+, BF40+, BF48+, mille kohta käesolev juhend käib, on vastavuses EÜ Nõukogu direktiividega EMÜ liikmesriikide seaduste ühitamise kohta, mis käsitlevad:

Funktsioon: Pumbajaam
Mudel/tüüp: BF16-2+, BF24-3+, BF32-4+, BF40-5+, BF48-6+.
Seerianumber: kõik

Masinaidirektiiv (2006/42/EÜ:2006-05-17).
Kasutatav standard: EN 60335-2-41/A2:2010

Elektromagnetilise ühilduvuse (EMC) direktiiv (2004/108/EÜ:2004-12-15).
Kasutatav standard: EN 55014-1/A1:2009 ja EN 55014-2/A2:2008
Kasutatav standard: EN 61000-3-2/A2:2009 ja EN 61000-3-3:2008

LT Atitikties deklaracija

Mes, Nilfisk FOOD, su visa atsakomybe pareiškiame, kad gaminiai BF16+, BF24+, BF32+, BF40+, BF48+, kuriems skirta ši deklaracija, atitinka šias Tarybos Direktyvas dėl Europos Ekonominės Bendrijos šalių narių įstatymų suderinimo:

Paskirtis: Pumpavimo terminalas
Modelis / tipas: BF16-2+, BF24-3+, BF32-4+, BF40-5+, BF48-6+.
Serijos numeris: visi

Mašinų direktyvą (2006/42/EB:2006-05-17),
taikytas standartas: EN 60335-2-41/A2:2010;

Elektromagnetinio suderinamumo direktyvą (2004/108/EB:2004-12-15),
taikytas standartas: EN 55014-1/A1:2009 ir EN 55014-2/A2:2008,
taikytas standartas: EN 61000-3-2/A2:2009 ir EN 61000-3-3:2008

LV Paziņojums par atbilstību prasībām

Sabiedrība Nilfisk FOOD ar pilnu atbildību dara zināmu, ka produkti BF16+, BF24+, BF32+, BF40+, BF48+, uz kuriem attiecas šis paziņojums, atbilst šādām Padomes direktīvām par tuvināšanos EK dalībvalstu likumdošanas normām:

Funkcija: Sūkņa stacija
Modelis/tips: BF16-2+, BF24-3+, BF32-4+, BF40-5+, BF48-6+.
Sērijas numurs: visi.

Mašīnu direktīva (2006/42/EK, 17.05.2006.)
Izmantotais standarts: EN 60335-2-41/A2:2010

Elektromagnētiskās savietojamības direktīva (2004/108/EK, 15.12.2004.)
Izmantotais standarts: EN 55014-1/A1:2009 un EN 55014-2/A2:2008
Izmantotais standarts: EN 61000-3-2/A2:2009 un EN 61000-3-3:2008

UK Свідчення про відповідність вимогам

Компанія Nilfisk FOOD заявляє про свою виключну відповідальність за те, що продукти BF16+, BF24+, BF32+, BF40+, BF48+, на які поширюється дана декларація, відповідають таким рекомендаціям Ради з уніфікації правових норм країн -членів ЕС:

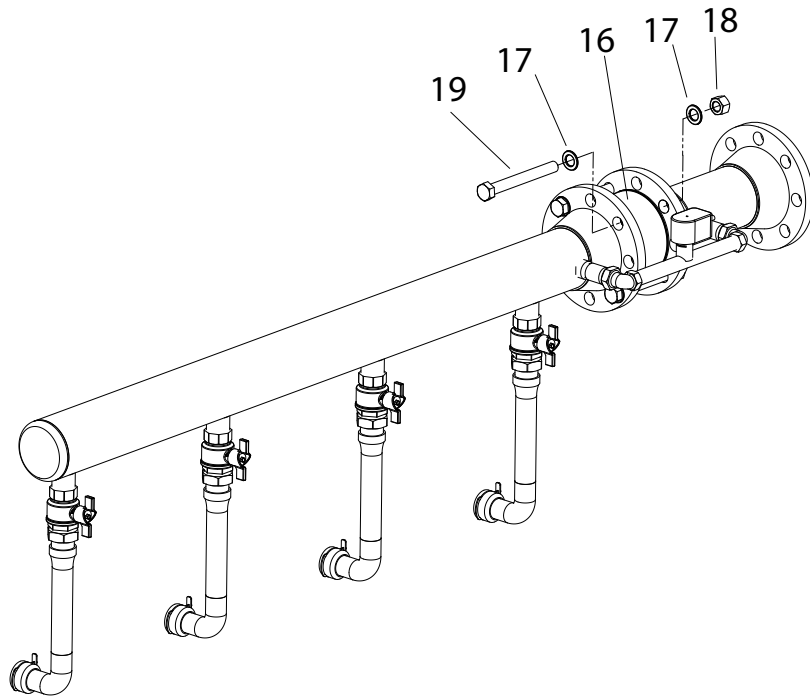
Функція: Насосна станція
Модель/Тип: BF16-2+, BF24-3+, BF32-4+, BF40-5+, BF48-6+.
Серійний номер: усі

Директива щодо машинного обладнання (2006/42/ЕС:2006-05-17).
Використаний стандарт: EN 60335-2-41/A2:2010

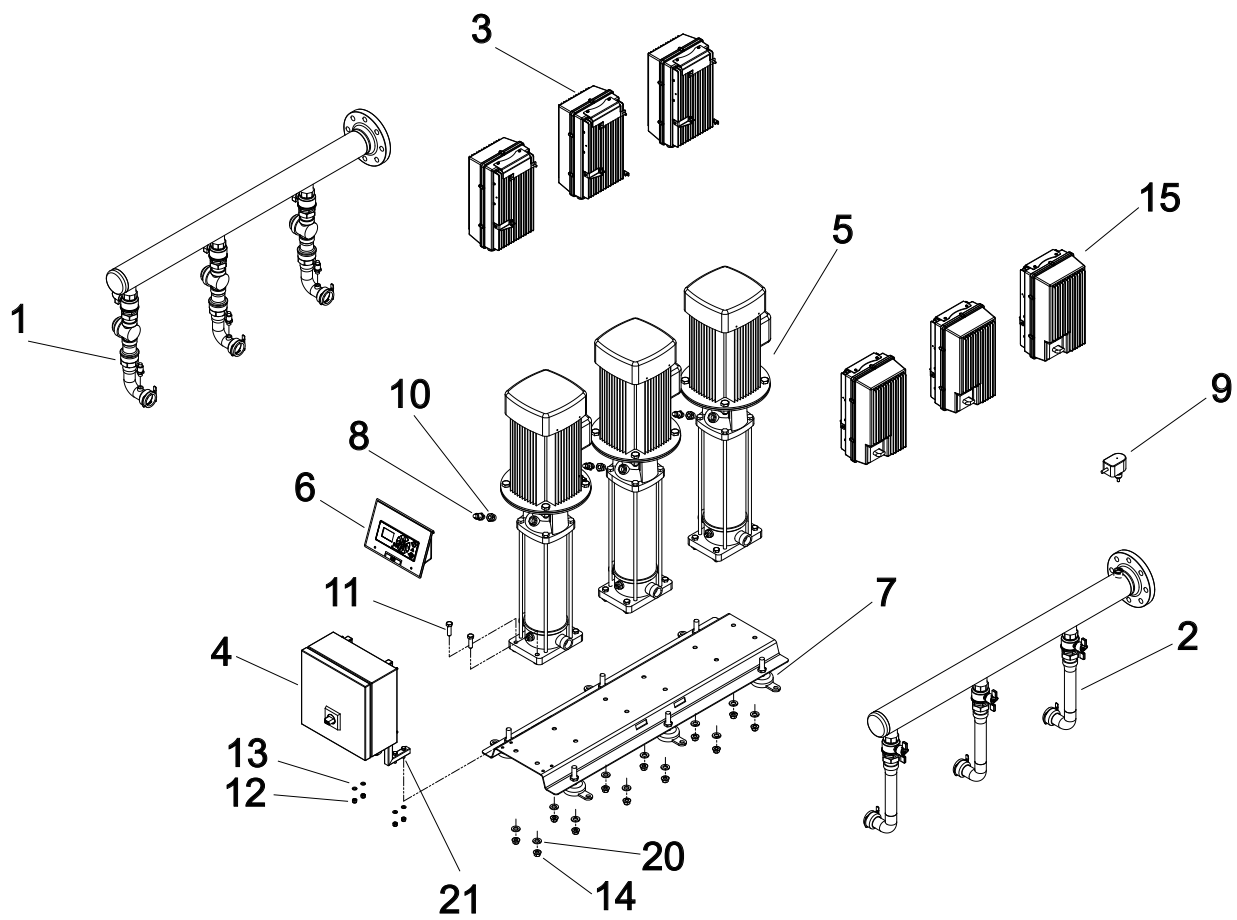
Директива щодо електромагнітної сумісності (2004/108/ЕС:2004-12-15).
Використаний стандарт: EN 55014-1/A1:2009 та EN 55014-2/A2:2008
Використаний стандарт: EN 61000-3-2/A2:2009 та EN 61000-3-3:2008

Technical file responsible:

Flemming Asp
Nilfisk FOOD
Blytaekkervej 2
9000 Aalborg, Denmark



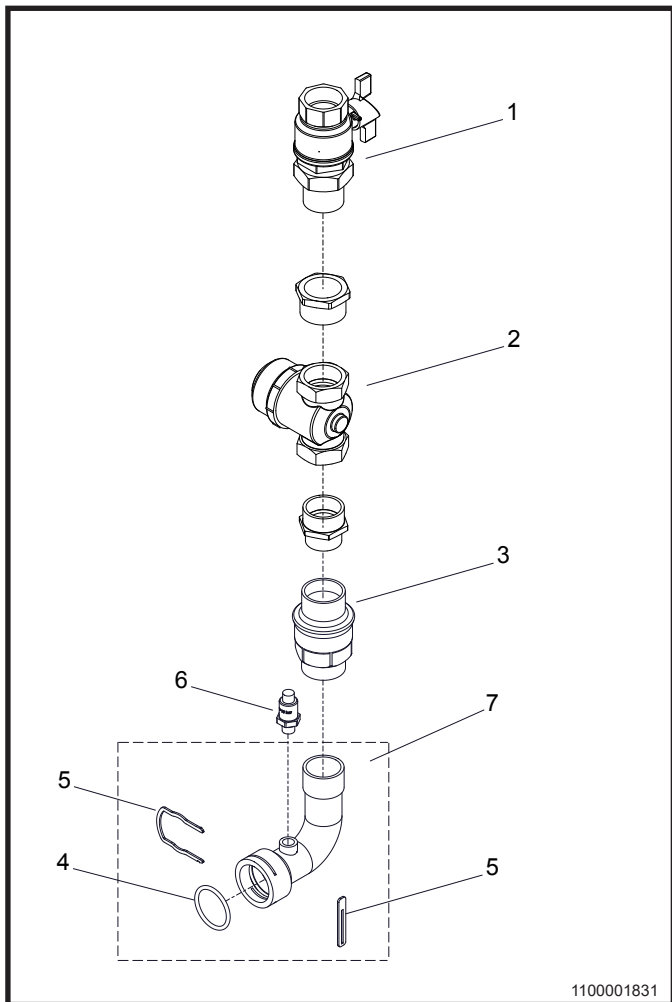
110002002



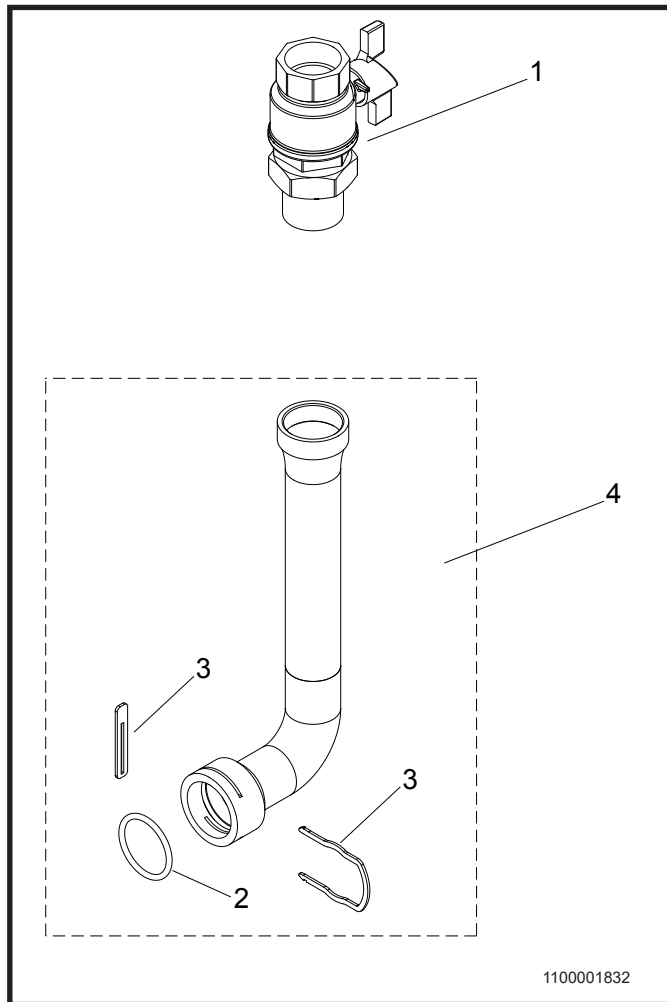
1100001830

Pos./Ref.	Nr. No.	Description Beschreibung Couvercle, unité principale Descripción Betegnelse	BF16 / BF16T	BF24 / BF24T	BF32 / BF32T	BF40 / BF40T	BF48 / BF48T
1		Page 4 Seite 4 Page 4 Página 4 Side 4					
2		Page 4 Seite 4 Page 4 Página 4 Side 4					
3		Page 8 / 9 Seite 8 / 9 Page 8 / 9 Página 8 / 9 Side 8 / 9					
4		Page 6 / 7 Seite 6 / 7 Page 6 / 7 Página 6 / 7 Side 6 / 7					
5	110000373	Pump Pumpe Pompe Bomba Pumpe	2	3	4	5	6
6		Page 5 Seite 5 Page 5 Página 5 Side 5					
7	110001855	Adjustable feet Maschinenfüsse Pieds réglables Pies ajustables Maskinsko	4	6	8	10	12
8	110001144	Pressure Sensor Druck-sensor Sonde de depression Sensor de la presión Tryksensor	2	3	4	5	6
9	110001851	Flow-Switch Strömungswächte Limiteur de débit Interruptor de flujo Flowswitch	1	1	1	1	1
10	110001271	Nippel Nippelrohr Mamelon Entrerosca Nippelmuffe	2	3	4	5	6
11	110001842 (156704)	Screw kit for MB+ Schraubenkitt für MB+ Kit de vis pour MB+ Kit de tornillos MB+ Skrue kit for MB+					
12	110001842 (156518)	Screw kit for MB+ (No tank control) Schraubenkitt für MB+ (Ohne Tanksteuerung) Kit de vis pour MB+ (Pas de contrôle du réservoir) Kit de tornillos MB+ (No hay control del tanque) Skrue kit for MB+ (Uden tankstyring)	1	1	-	-	-
12	110001842 (156502)	Screw kit for MB+ (No tank control) Schraubenkitt für MB+ (Ohne Tanksteuerung) Kit de vis pour MB+ (Pas de contrôle du réservoir) Kit de tornillos MB+ (No hay control del tanque) Skrue kit for MB+ (Uden tankstyring)	1	1	-	-	-
14	110001842 (321700)	Screw kit for MB+ Schraubenkitt für MB+ Kit de vis pour MB+ Kit de tornillos MB+ Skrue kit for MB+					
15		Page 6 / 7 Seite 6 / 7 Page 6 / 7 Página 6 / 7 Side 6 / 7					
16	110001863	Non Return Valve Rückschlagventil Valve non de retour Válvula no de vuelta Kontraventil	-	-	1	1	1
17	110001842 (156800)	Screw kit for MB+ Schraubenkitt für MB+ Kit de vis pour MB+ Kit de tornillos MB+ Skrue kit for MB+					
18	110001842 (0602005)	Screw kit for MB+ Schraubenkitt für MB+ Kit de vis pour MB+ Kit de tornillos MB+ Skrue kit for MB+					
19	110001842 (0602014)	Screw kit for MB+ Schraubenkitt für MB+ Kit de vis pour MB+ Kit de tornillos MB+ Skrue kit for MB+					
20	110001842 (156702)	Screw kit for MB+ Schraubenkitt für MB+ Kit de vis pour MB+ Kit de tornillos MB+ Skrue kit for MB+					

Pos./Ref.	Nr. No.	Description Beschreibung Couvercle, unité principale Descripción Betegnelse	BF16 / BF16T	BF24 / BF24T	BF32 / BF32T	BF40 / BF40T	BF48 / BF48T
21	110001842 (156504)	Screw kit for MB+ (No tank control) Schraubenkitt für MB+ (Ohne Tanksteuerung) Kit de vis pour MB+ (Pas de contrôle du réservoir) Kit de tornillos MB+ (No hay control del tanque) Skrue kit for MB+ (Uden tankstyring)	1	1	-	-	-
12	110001842 (0602057)	Screw kit for MB+ Schraubenkitt für MB+ Kit de vis pour MB+ Kit de tornillos MB+ Skrue kit for MB+	1	1	1	1	1
13	110001842 (156602)	Screw kit for MB+ Schraubenkitt für MB+ Kit de vis pour MB+ Kit de tornillos MB+ Skrue kit for MB+	1	1	1	1	1
21	110001842 (156607)	Screw kit for MB+ Schraubenkitt für MB+ Kit de vis pour MB+ Kit de tornillos MB+ Skrue kit for MB+	1	1	1	1	1



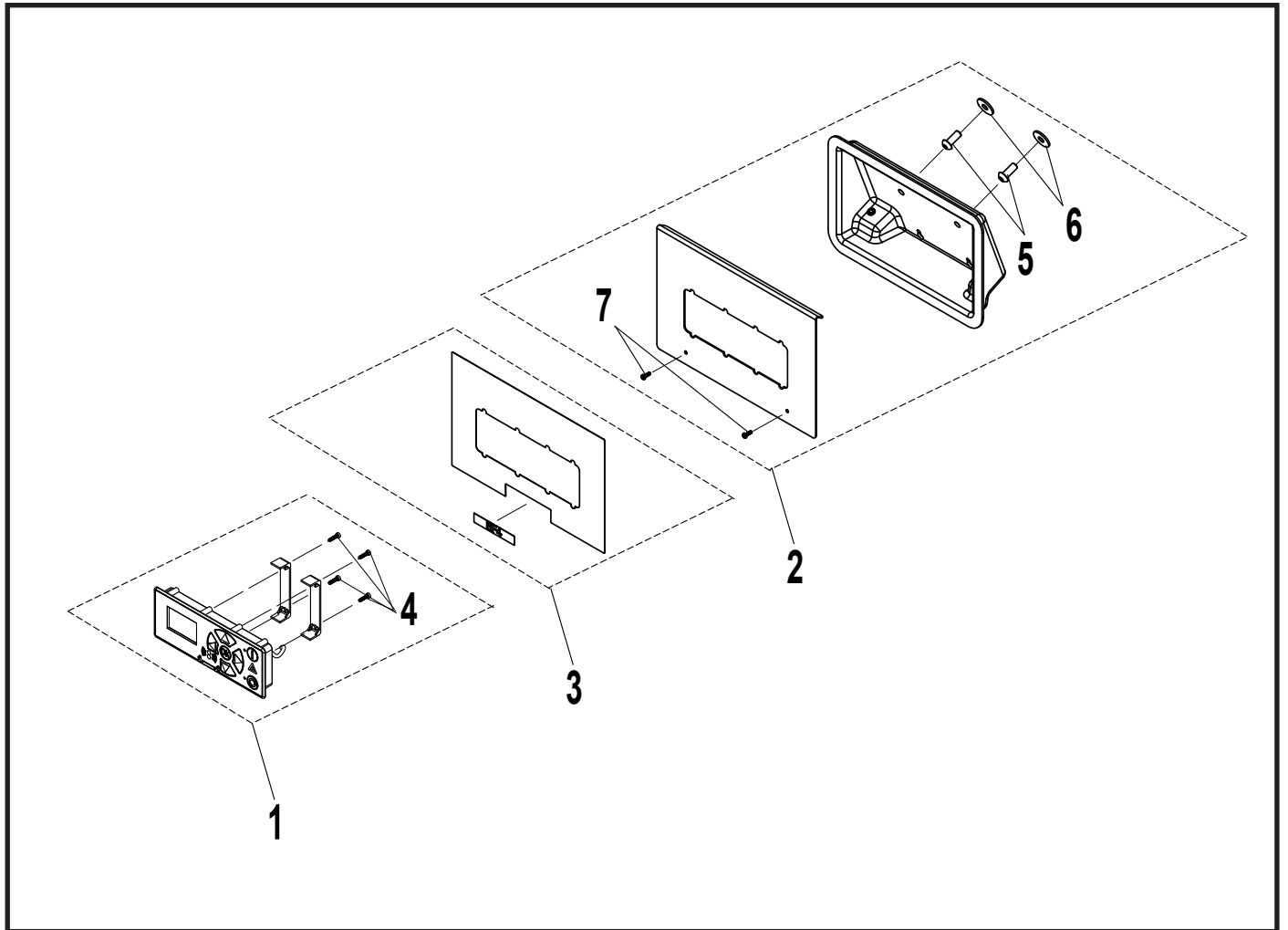
1100001831



1100001832

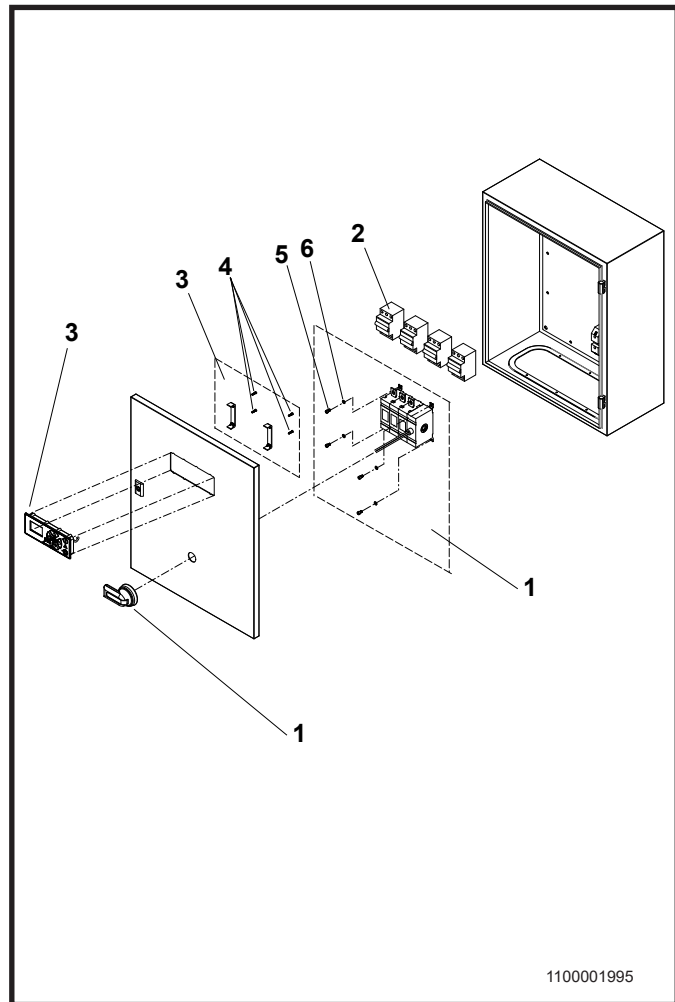
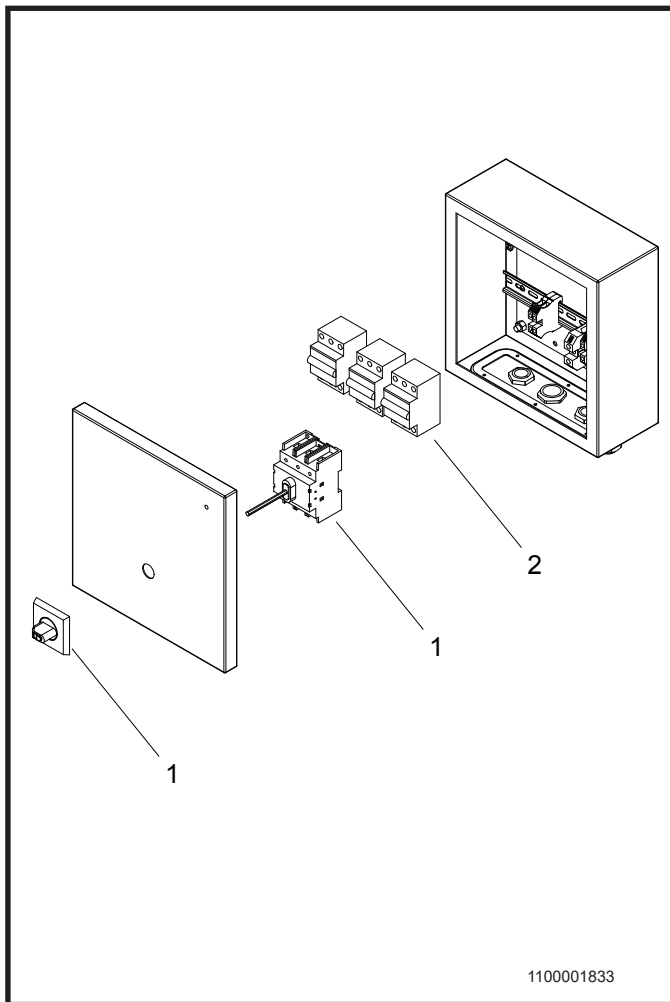
!	Nr. No.	Description Beschreibung Couvercle, unité principale Descripción Betegnelse	BF16 / BF16T	BF24 / BF24T	BF32 / BF32T	BF40 / BF40T	BF48 / BF48T
1	110001846	Ball Tap Kugelhahn Robinet à bille Tapón esférico Kuglehane	2	3	4	5	6
2	110002172	Strainer 800µ -> 1500µ Filter 800µ -> 1500µ Tamis 800µ -> 1500µ Tamiz 800µ -> 1500µ Snavssamler 800µ -> 1500µ	2	3	4	5	6
3	630900	Non Return Valve Rückschlagventil Valve non de retour Válvula no de vuelta Kontraventil	2	3	4	5	6
4	110001845	O-ring kit O-ring Set Kit de joints toriques Kit de anillos tóricos O-rings kit					
5	110001250	Pin kit Splint-kitt Kit des broches Kit de pasadores Splitt kit					
6	110001850	Sensor Sensor Sondet Sensor sensor	2	3	4	5	6
7	110001848	Inlet Lufteinlauf Admission Entrada de aire Tilgangsør	2	3	4	5	6

!	Nr. No.	Description Beschreibung Couvercle, unité principale Descripción Betegnelse	BF16 / BF16T	BF24 / BF24T	BF32 / BF32T	BF40 / BF40T	BF48 / BF48T
1	110001846	Ball Tap Kugelhahn Robinet à bille Tapón esférico Kuglehane	2	3	4	5	6
2	110001845	O-ring kit O-ring Set Kit de joints toriques Kit de anillos tóricos O-rings kit					
3	110001250	Pin kit Splint-kitt Kit des broches Kit de pasadores Splitt kit					
4	110001856	Outlet pipe MB+ complet Abgangsrohr MB+ Komplett Conduit de sorti MB+ complet Tubería de salida MB+ completa Afgangsør MB+ komplet	2	3	4	5	6



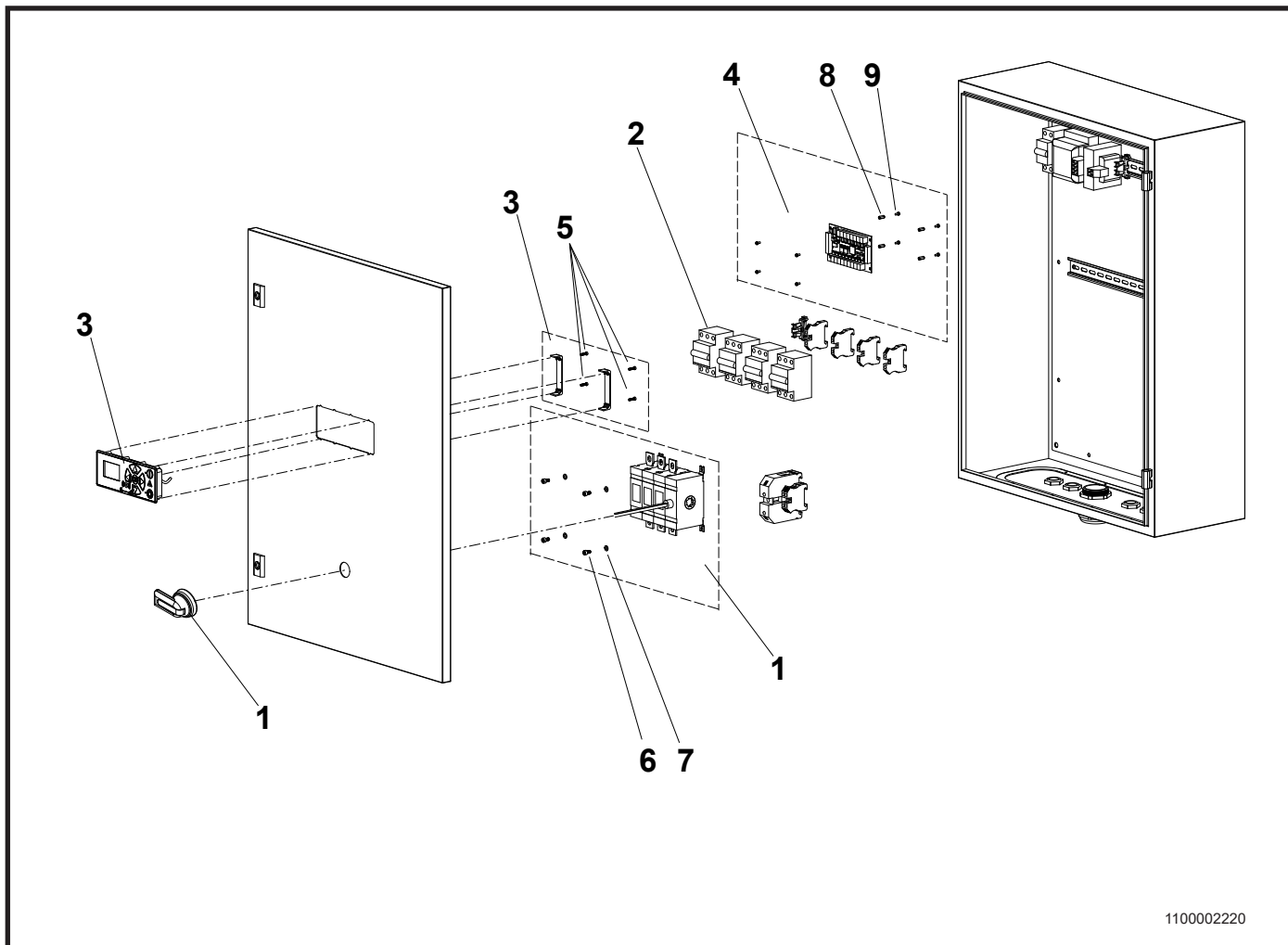
Pos./Ref.	Nr. No.	Description Beschreibung Couvercle, unité principale Descripción Betegnelse					
			BF16	BF24	BF32	BF40	BF48
1	110001841	Display complete Display komplett Afficheur complet Pantalla completa Display kpl.	1	1	1	1	1
2	110001470	Operation panel Bedienungspaneel Panneau d'opération Panel de la operación Betjningspanel	1	1	-	-	-
3	110001854	Label kit MB+ Aufkleber Kitt MB+ Etiquette MB+ Etiqueta MB+ Label kit MB+	1	1	-	-	-
▲	110001842 (110000574)	Screw kit Adv+ Schraube Set Adv+ Kit de Vis Adv+ Kit de Tornillos Adv+ Skruer kit Adv+					
▲	110001842 (0602072)	Screw kit Adv+ Schraube Set Adv+ Kit de Vis Adv+ Kit de Tornillos Adv+ Skruer kit Adv+					
▲	110001842 (156517)	Screw kit Adv+ Schraube Set Adv+ Kit de Vis Adv+ Kit de Tornillos Adv+ Skruer kit Adv+					
▲	110001842 (110000235)	Screw kit Adv+ Schraube Set Adv+ Kit de Vis Adv+ Kit de Tornillos Adv+ Skruer kit Adv+					

Pos./Ref.	Nr. No.	Description Beschreibung Couvercle, unité principale Descripción Betegnelse					
			BF16	BF24	BF32	BF40	BF48



!	Nr. No.	Description Beschreibung Couvercle, unité principale Descripción Betegnelse	BF16 / BF16T	BF24 / BF24T	BF32 / BF32T	BF40 / BF40T	BF48 / BF48T
	1	110001857 Switch Schalter Interrupteur Commutador Afbryder	1	-	-	-	-
	1	110001858 Switch Schalter Interrupteur Commutador Afbryder	-	1	-	-	-
	2	110001859 Automatic fuse Automatische Sicherung Fusible automatique Fusible automático Automatsikring	2	3	4	5	6
		110001852 Electric cabinet complete BF16+ Elektrogehäuse komplett BF16+ Coffret d'Electric complet BF16+ Gabinete de Electric completo BF16+ Elskab kpl. BF16+					
		110001853 Electric cabinet complete BF24+ Elektrogehäuse komplett BF24+ Coffret d'Electric complet BF24+ Gabinete de Electric completo BF24+ Elskab kpl. BF24+					

!	Nr. No.	Description Beschreibung Couvercle, unité principale Descripción Betegnelse	BF16 / BF16T	BF24 / BF24T	BF32 / BF32T	BF40 / BF40T	BF48 / BF48T
	1	110001862 Switch Schalter Interrupteur Commutador Afbryder	-	-	1	1	1
	2	110001859 Automatic fuse Automatische Sicherung Fusible automatique Fusible automático Automatsikring	2	3	4	5	6
	3	110001841 Display complete Display komplett Afficheur complet Pantalla completa Display kpl.	1	1	1	1	1
	4	110001842 Screw kit Adv+ Schraube Set Adv+ Kit de Vis Adv+ Kit de Tornillos Adv+ Skrue kit Adv+					
	5	110001842 Screw kit Adv+ Schraube Set Adv+ Kit de Vis Adv+ Kit de Tornillos Adv+ Skrue kit Adv+					
	6	110001842 Screw kit Adv+ Schraube Set Adv+ Kit de Vis Adv+ Kit de Tornillos Adv+ Skrue kit Adv+					
		110001864 Electric cabinet complete BF32+ Elektrogehäuse komplett BF32+ Gabinete de Electric completo BF32+ Elskab kpl. BF32+					
		110001865 Electric cabinet complete BF40+ Elektrogehäuse komplett BF40+ Coffret d'Electric complet BF40+ Gabinete de Electric completo BF40+ Elskab kpl. BF40+					
		110001866 Electric cabinet complete BF48+ Elektrogehäuse komplett BF48+ Coffret d'Electric complet BF48+ Gabinete de Electric completo BF48+ Elskab kpl. BF48+					



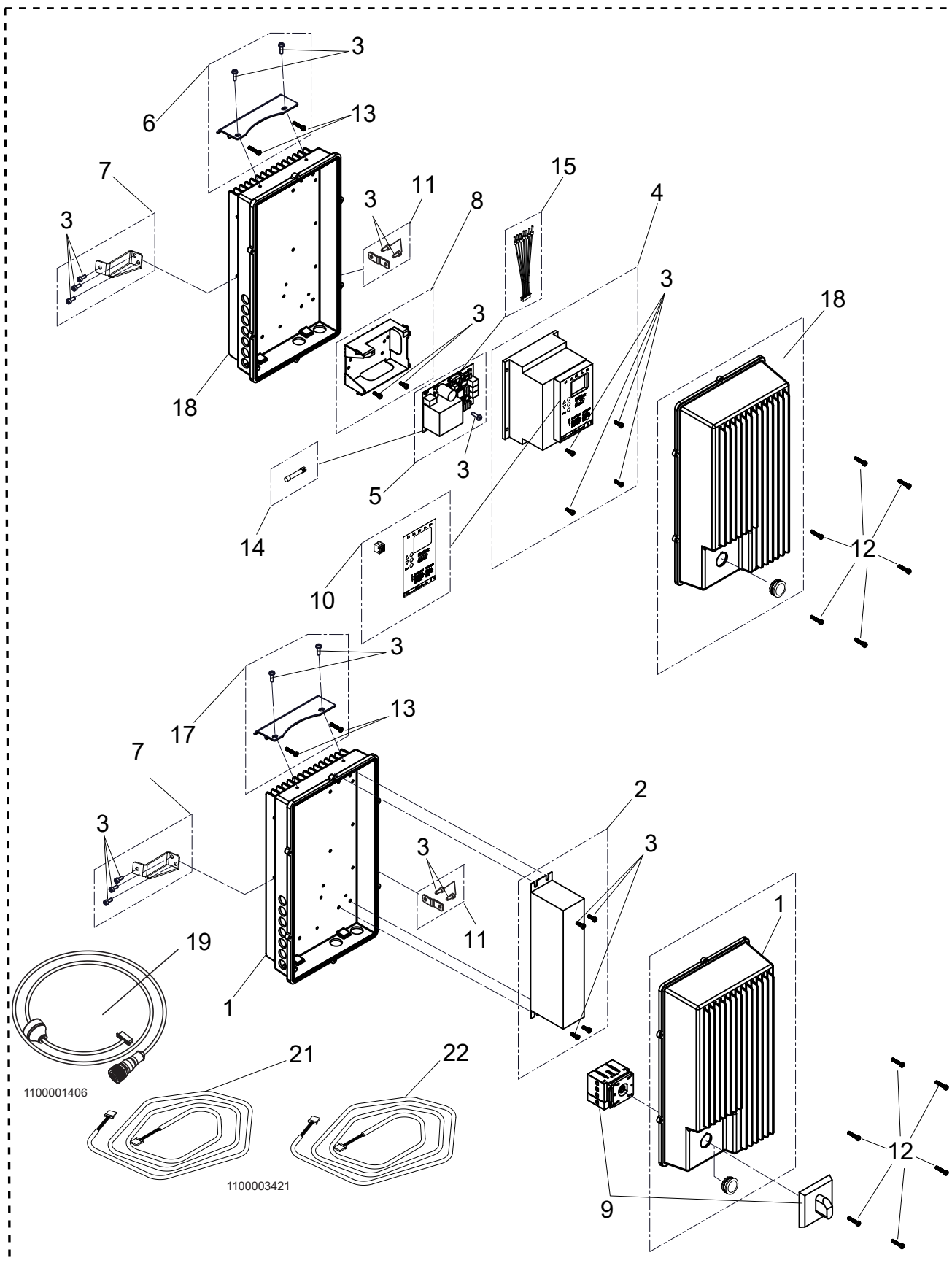
1100002220

!	Pos./Ref.	Nr. No.	Description Beschreibung Couverture, unité principale Descripción Betegnelse					
				BF16T	BF24T	BF32T	BF40T	BF48T
	1	110001857	Switch Schalter Interrupteur Commutador Afbryder	1	-	-	-	-
	1	110001858	Switch Schalter Interrupteur Commutador Afbryder	-	1	-	-	-
	1	110001862	Switch Schalter Interrupteur Commutador Afbryder	-	-	1	1	1
	2	110001859	Automatic fuse Automatische Sicherung Fusible automatique Fusible automático Automatsikring	2	3	4	5	6
	3	110001841	Display complete Display komplett Afficheur complet Pantalla completa Display kpl.	1	1	1	1	1
	4	110002194	Printed Circuit Board Printerplatine Carte circuit imprimé Placa de circuito impreso Printkort	1	1	1	1	1
▲	5	110001842 (110000574)	Screw kit Adv+ Schraube Set Adv+ Kit de Vis Adv+ Kit de Tornillos Adv+ Skruer kit Adv+					
▲	6	110001842 (0600009)	Screw kit Adv+ Schraube Set Adv+ Kit de Vis Adv+ Kit de Tornillos Adv+ Skruer kit Adv+					
▲	7	110001842 (156302)	Screw kit Adv+ Schraube Set Adv+ Kit de Vis Adv+ Kit de Tornillos Adv+ Skruer kit Adv+					

!	Pos./Ref.	Nr. No.	Description Beschreibung Couverture, unité principale Descripción Betegnelse					
				BF16T	BF24T	BF32T	BF40T	BF48T
▲	8	110001842 (15010200)	Screw kit Adv+ Schraube Set Adv+ Kit de Vis Adv+ Kit de Tornillos Adv+ Skruer kit Adv+					
▲	9	110001842 (110002187)	Screw kit Adv+ Schraube Set Adv+ Kit de Vis Adv+ Kit de Tornillos Adv+ Skruer kit Adv+					
		110002210	Electric cabinet complete BF16T+ Elektrogehäuse komplett BF16T+ Coffret d'Electric complet BF16T+ Gabinete de Electric completo BF16T+ Elskab kpl. BF16T+					
		110002211	Electric cabinet complete BF24T+ Elektrogehäuse komplett BF24T+ Coffret d'Electric complet BF24T+ Gabinete de Electric completo BF24T+ Elskab kpl. BF24T+					
		110002212	Electric cabinet complete BF32T+ Elektrogehäuse komplett BF32T+ Coffret d'Electric complet BF32T+ Gabinete de Electric completo BF32T+ Elskab kpl. BF32T+					
		110002213	Electric cabinet complete BF40T+ Elektrogehäuse komplett BF40T+ Coffret d'Electric complet BF40T+ Gabinete de Electric completo BF40T+ Elskab kpl. BF40T+					
		110002214	Electric cabinet complete BF48T+ Elektrogehäuse komplett BF48T+ Coffret d'Electric complet BF48T+ Gabinete de Electric completo BF48T+ Elskab kpl. BF48T+					

* Recommended spare parts / Empfehlenswerte Ersatzteile / Pièces de rechange conseillées / Piezas de repuesto recomendadas / Anbefalede Reservedele

▲ Min. order size is 10 pcs. / Min. Auftragsgröße ist 10 Stück / Le volume minimum de la commande est de 10 pièces. / El tamaño de pedido mínimo son 10 pcs. / Minimumsalg 10 stk



1100001406

1100003421

1100001990

Pos./Ref.	Nr. No.	Description Beschreibung Couvercle, unité principale Descripción Betegnelse	BF16 / BF16T	BF24 / BF24T	BF32 / BF32T	BF40 / BF40T	BF48 / BF48T
1	110001131	Converter Box Stromrichterbox Boîtier de convertisseur Cuadro transformador El-kasse	2	3	4	5	6
2	110001527	Noise Filter Geräuschfilter Filtre de bruit Filtro de ruido Støjfilter	2	3	4	5	6
▲	110001842 (0602104)	Screw kit Adv+ Schraube Set Adv+ Kit de Vis Adv+ Kit de Tornillos Adv+ Skruer kit Adv+					
4	110001466	11 kW Converter 11 kW Stromrichter Convertisseur 11 kW Transformador de 11 kW 11 kw omformer	2	3	4	5	6
*	110001843	Controller board + Bedienungstafel + Carte contrôleur + Placa de controlador + Controllerboard +	2	3	4	5	6
6	110001860	Mounting Beschlag Montage Montaje Beslag	2	3	4	5	6
7	110001381	Mounting Beschlag Montage Montaje Beslag	4	6	8	10	12
8	110001244	Fitting complete controller print + Beschlag komplett Steuerungsprint + Montage contrôleur complet + Conector completo impresor controlador + Beslag kpl. Controllerprint +	2	3	4	5	6
9	110001849	Switch Schalter Interrupteur Commutador Afbryder	2	3	4	5	6
10	110001467	EPM Module + Converterlabel EPM Modul + Stromrichter etikette EPM Module + Convertisseur etiquette EPM módulo + Transformador etiqueta EPM Modul + Frekvensomformerlabel	2	3	4	5	6
11	110001471	Mounting Beschlag Montage Montaje Beslag	4	6	8	10	12
▲	110001842 (0602125)	Screw kit Adv+ Schraube Set Adv+ Kit de Vis Adv+ Kit de Tornillos Adv+ Skruer kit Adv+					
▲	110001842 (110001369)	Screw kit Adv+ Schraube Set Adv+ Kit de Vis Adv+ Kit de Tornillos Adv+ Skruer kit Adv+					
14	110001127	Fuse Sicherung Plomb Fusible Sikring	2	3	4	5	6
15	110001128	Cable between controller and inverter Kabel zwischen Print und Frequenzumrichter Câble contrôleur et l'onduleur Cable el controlador y el inversor Kabel mellem print og frekvensomformer	2	3	4	5	6
17	110001861	Mounting Beschlag Montage Montaje Beslag	2	3	4	5	6
18	110001844	Converter Box Stromrichterbox Boîtier de convertisseur Cuadro transformador El-kasse	2	3	4	5	6
19	110000971	Sensorcable Sensorkabel Sondet de câble Sensor de cable Sensorkabel	2	3	4	5	6
20	110005373	Controller complete	2	3	4	5	6
21	0631176	Network cable	1	2	3	5	6
22	110003421	Cable for flowswitch	1	2	3	4	5

Pos./Ref.	Nr. No.	Description Beschreibung Couvercle, unité principale Descripción Betegnelse	BF16 / BF16T	BF24 / BF24T	BF32 / BF32T	BF40 / BF40T	BF48 / BF48T

* Recommended spare parts / Empfehlenswerte Ersatzteile / Pièces de rechange conseillées / Piezas de repuesto recomendadas / Anbefalede Reservedele

▲ Min. order size is 10 pcs. / Min. Auftragsgröße ist 10 Stück / Le volume minimum de la commande est de 10 pièces. / El tamaño de pedido mínimo son 10 pcs. / Minimumssalg 10 stk

Printed in Denmark

No.: 110004337E/ 110004337E 10/2021
Serial no: 106.01.00000x