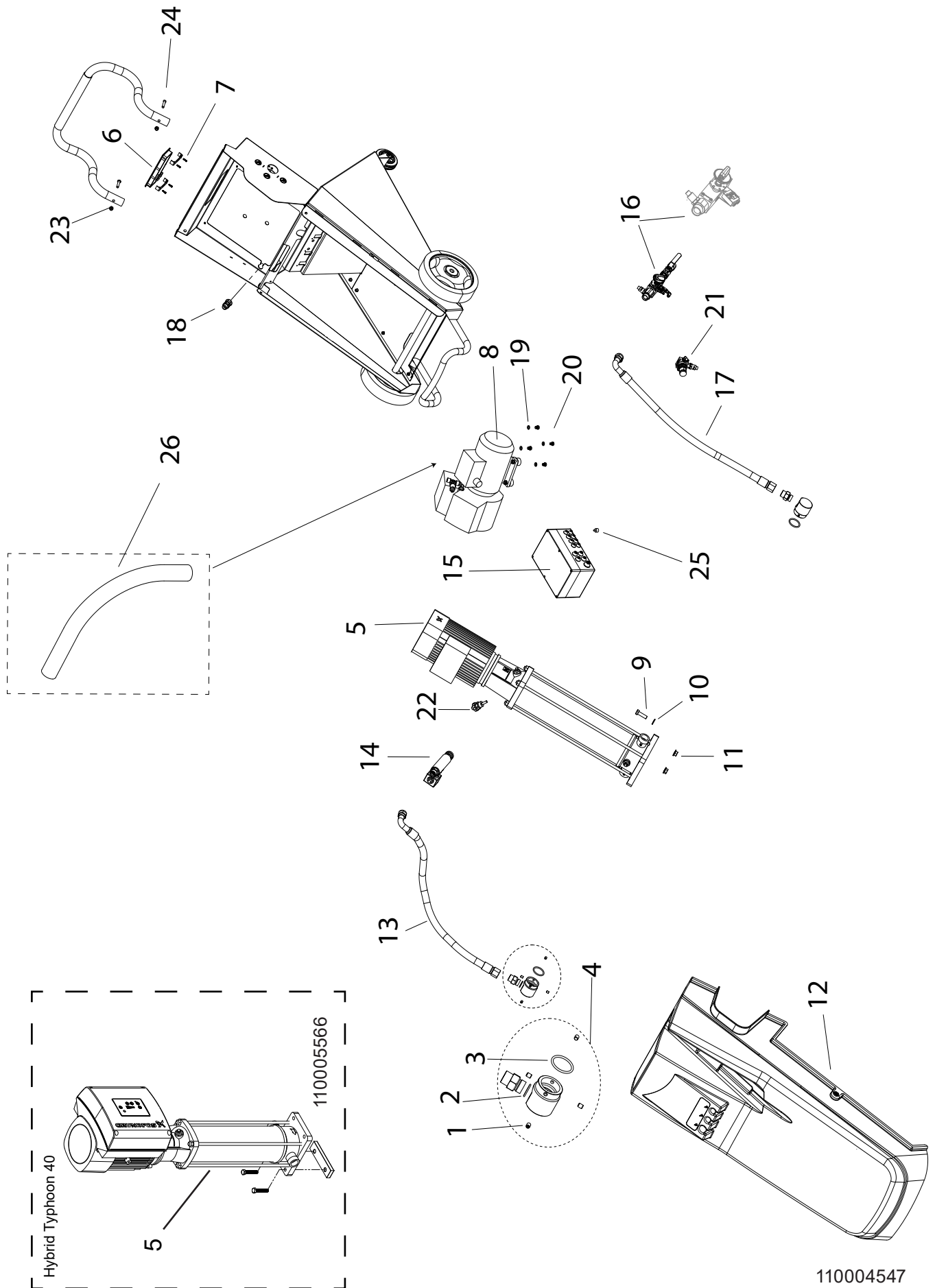


Spare parts
Ersatzteile
Pièces de rechange
Piezas de requesto

Hybrid Typhoon

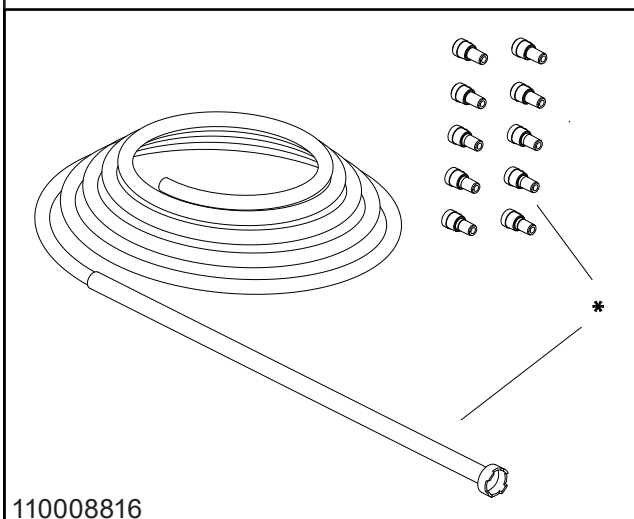
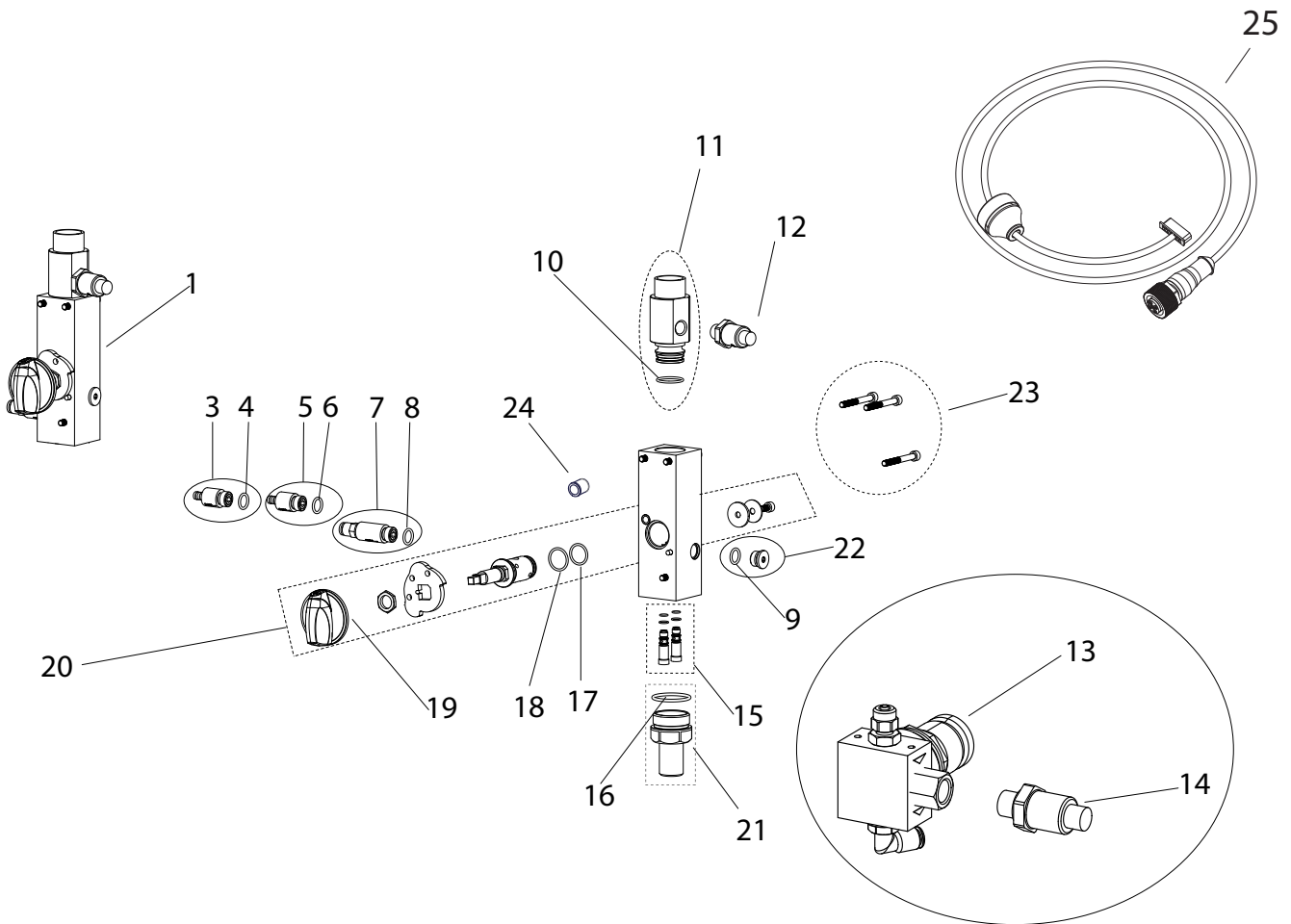


Pos./Ref.	Nr. No.	Description Beschreibung Désignation Designación	Hybrid Typhoon	Hybrid Typhoon U	Hybrid Typhoon 40	Hybrid Typhoon U40	Hybrid Typhoon 60Hz	Hybrid Typhoon U60Hz
1	110004558 (156519)	Screw kit						
2	110004559 (0635005)	O-ring kit						
3	110004559 (603700)	O-ring kit						
4	110004555	Pump coupling complete	2	2	2	2	2	2
5	0604154	Pump 50 Hz (25 bar)	1	1				
5	110005566	Pump 50 Hz (40 bar)			1	1		
5	0604155	Pump 60 Hz					1	1
6	110004546	Display complete (25 bar)	1	1			1	1
6	110004582	Display complete (40 bar)			1	1		
7	110004558 (110000574)	Screw kit						
8	0604151	Compressor (50 Hz)	1	1	1	1		
8	0604151	Compressor (60Hz)					1	1
8	110009357	Compressor (50Hz)	1	1	1	1		
9	110004558 (156704)	Screw kit						
10	110004558 (156702)	Screw kit						
11	110004558 (321700)	Screw kit						
12		See page 102						
13	110004543	Hose 3/4" complete						
14		See page 92						
15		See page 98						
16		See page 88						
16		See page 90						
17	110004543	Hose 3/4" complete						
18	0601597	Fitting						
19	110004558 (156511)	Screw kit						
20	110004558 (156502)	Screw kit						
21		See page 88 & 90						
22	110004713	Sensor						
23	110004558 (156518)	Screw kit						
24	110004558 (110004657)	Screw kit						
25	110004558 (0636048)	Screw kit						
26	110006183	Air hose (5 m)						

Block

Serial no.: →134788

Serial no.: →114.01.000508



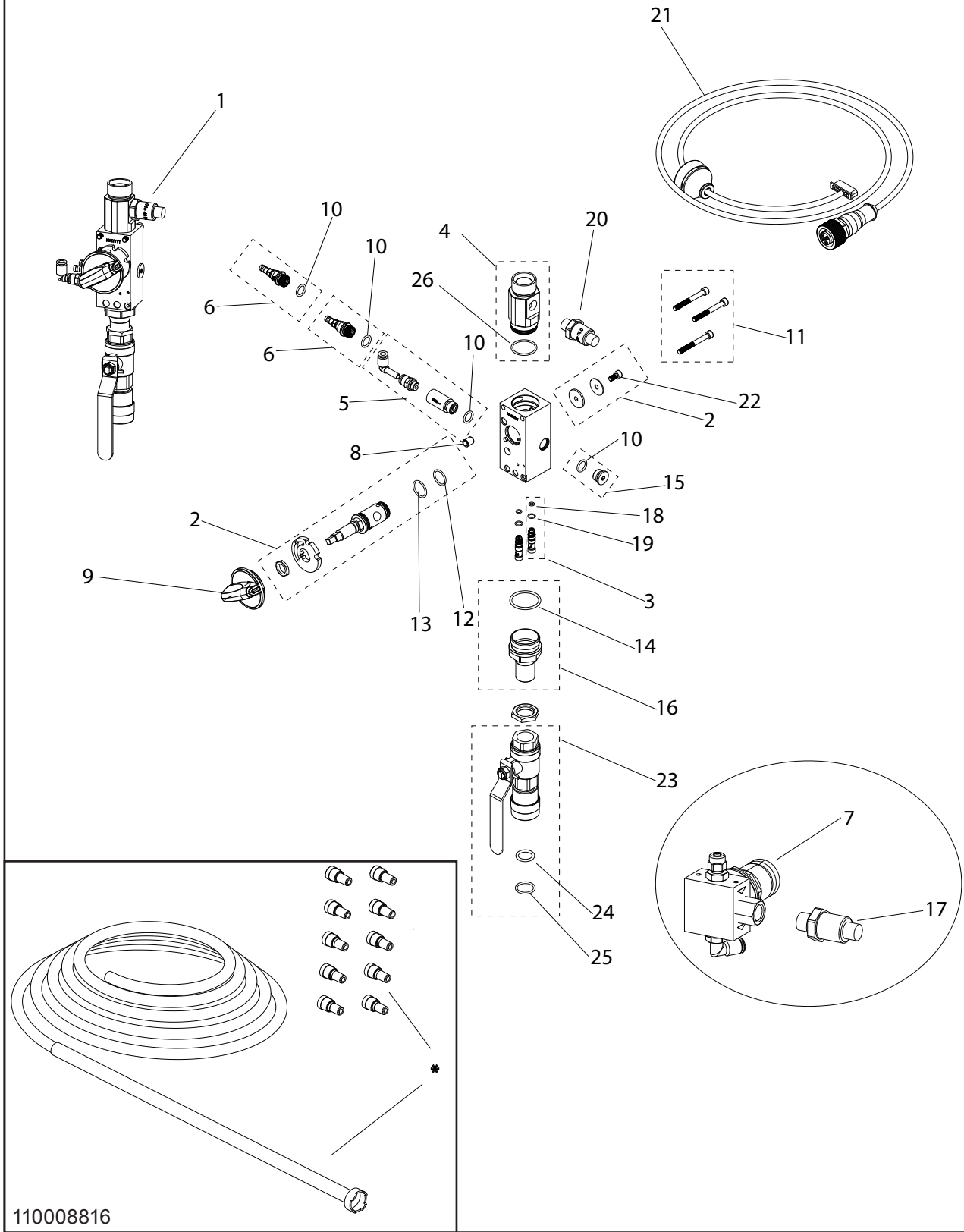
110008816

110004549

Pos./Ref.	Nr. No.	Description Beschreibung Désignation Designación	Hybrid Typhoon	Hybrid Typhoon U	Hybrid Typhoon 40	Hybrid Typhoon U40	Hybrid Typhoon 60Hz	Hybrid Typhoon U60Hz
1	110004485	Block with bracket complete	1	1	1	1	1	1
2	110003282	Air controller valve complete	1	1	1	1	1	1
3	110001102	Chemical non return valve complete	2	2	2	2	2	2
4	110004559 (110000910)	O-ring kit						
5	110001102	Chemical non return valve complete	2	2	2	2	2	2
6	110004559 (110000910)	O-ring kit						
7	110001979	Air non return valve with straight fitting	1	1	1	1	1	1
8	110004559 (110000910)	O-ring kit						
9	110004558 (110000910)	O-ring kit						
10	110004559 (0600078)	O-ring kit						
11	110004639	Hose coupling for block	1	1	1	1	1	1
12	110000890	Sensor	1	1	1	1	1	1
13	110006896	Air regulation complete	1	1	1	1	1	1
14	110000889	Sensor	1	1	1	1	1	1
15	110005215	Injector kit	1	1	1	1	1	1
16	110004559 (110000038)	O-ring kit						
17	110004559 (110002508)	O-ring kit						
18	110004559 (350108)	O-ring kit						
19	909100214	Operation button	1	1	1	1	1	1
20	110003401	Axle complete	1	1	1	1	1	1
21	110006214	Hexagon nipple complete	1	1	1	1	1	1
22	110002306	Plug complete						
23	110004558 (110000526)	Screw kit						
24	110002392	Spring plunger						
25	110000971	Sensor and Flow Switch cable	2	2	2	2	2	2
*	110001214 110001197 110001198 110001199 110009040	Chemical hose (blue) Chemical hose (yellow) Chemical hose (red) Chemical hose (green) Chemical limiting nozzle						

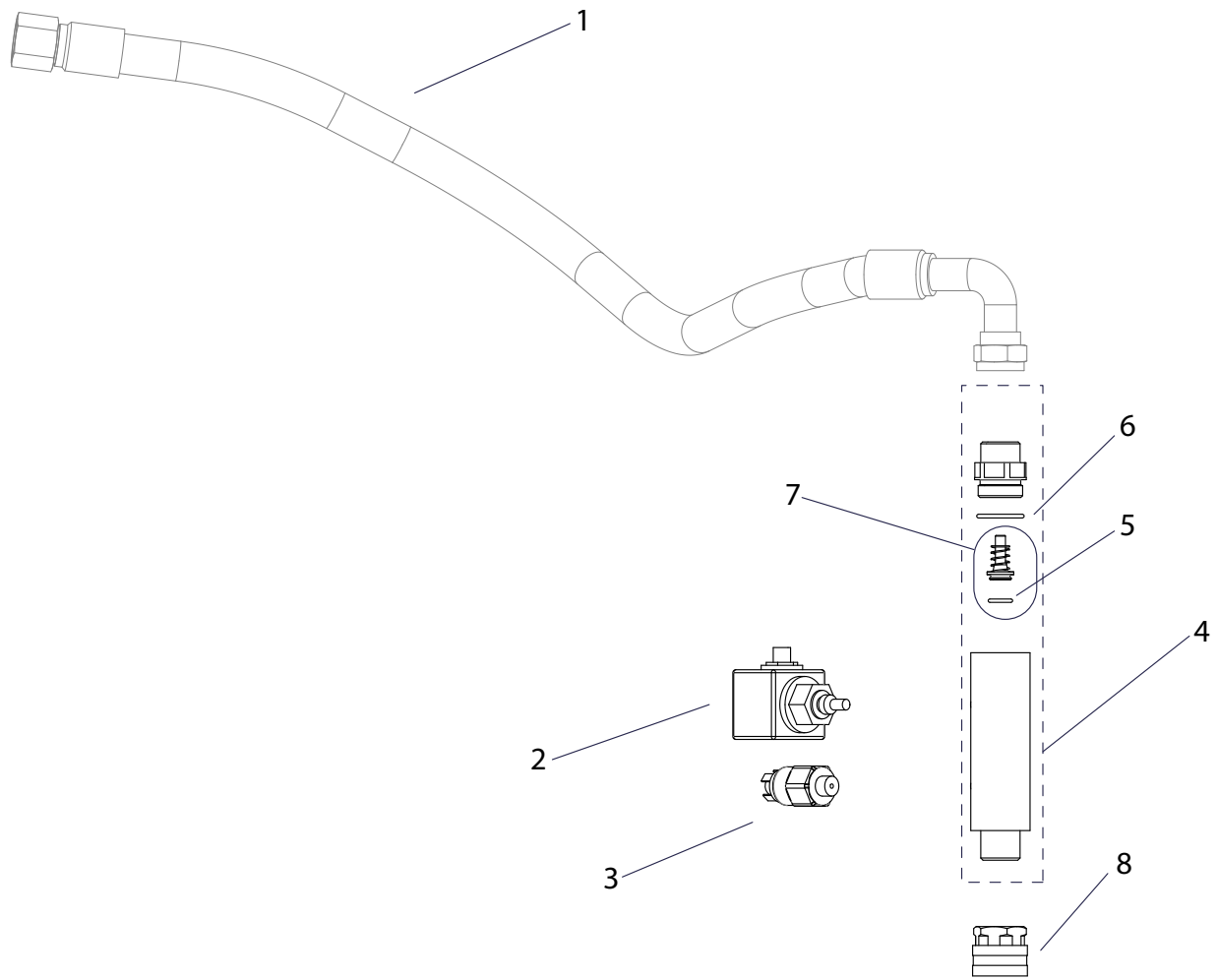
Block

Serial no.: 114.01.000508 →



Pos./Ref.	Nr. No.	Description Beschreibung Désignation Designación	Hybrid Typhoon	Hybrid Typhoon U	Hybrid Typhoon 40	Hybrid Typhoon U40	Hybrid Typhoon 60Hz	Hybrid Typhoon U60Hz
1	110008810	Multi block Typhoon complete	1	1	1	1	1	1
2	110009017	Axle complete	1	1	1	1	1	1
3	110007687	Injector kit	2	2	2	2	2	2
4	110009018	Inlet connection kit	1	1	1	1	1	1
5	110001979	Air non return valve	1	1	1	1	1	1
6	110004434	Chemical non return valve	2	2	2	2	2	2
7	110006896	Air regulator complete	1	1	1	1	1	1
8	110002392	Spring plunger	1	1	1	1	1	1
9	909100249	Selector knob	1	1	1	1	1	1
10	110004559 (110002952)	O-ring kit						
11	110004558 (110002952)	Screw kit						
12	110004559 (110002508)	O-ring kit						
13	110004559 (350108)	O-ring kit						
14	110004559 (110000038)	O-ring kit	1	1	1	1	1	1
15	110002306	Plug	1	1	1	1	1	1
16	110006214	Outlet	1	1	1	1	1	1
17	110000889 (110008303)	Sensor						
18	110004559 (110004888)	O-ring kit						
19	110004559 (110004887)	O-ring kit						
20	110000890	Sensor	1	1	1	1	1	1
21	110000971	Sensor cable	2	2	2	2	2	2
22	110004558 (0600009)	Screw kit						
23	110005460	Ball valve	1	1	1	1	1	1
24	110004559 (641101)	O-ring kit						
25	110004559 (641102)	O-ring kit						
26	110004559 (0635040)	O-ring kit						
*	110001214 110001197 110001198 110001199 110009040	Chemical hose (blue) Chemical hose (yellow) Chemical hose (red) Chemical hose (green) Chemical limiting nozzle						

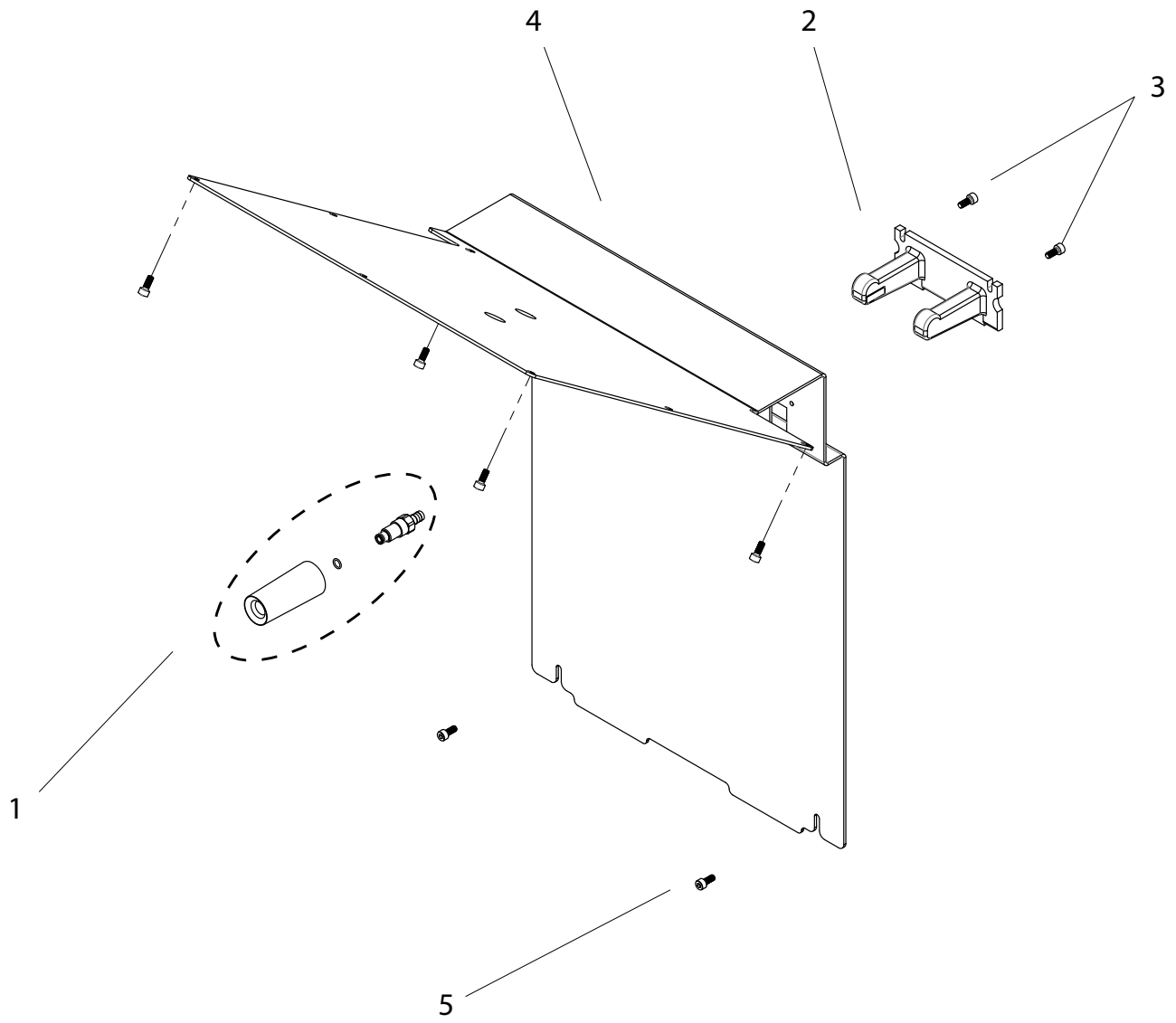
Hybrid Typhoon



110004550

Pos./Ref.	Nr. No.	Description Beschreibung Désignation Designación	Hybrid Typhoon	Hybrid Typhoon U	Hybrid Typhoon 40	Hybrid Typhoon U40	Hybrid Typhoon 60Hz	Hybrid Typhoon U60Hz
1	110004543	Inlet and outlet hose complete	2	2	2	2	2	2
1	110004661	Inlet and outlet hose SS complete	2	2	2	2	2	2
2	110000963	Flow switch	1	1	1	1	1	1
3	110004561	Sensor	1	1	1	1	1	1
4	110004530	Non return valve block	1	1	1	1	1	1
5	110004559 (110004529)	O-ring kit						
6	110004559 (110004557)	O-ring kit						
7	110004789	Piston with spring	1	1	1	1	1	1
8	1602945	Quick coupling 3/4" w/gasket	1	1	1	1	1	1

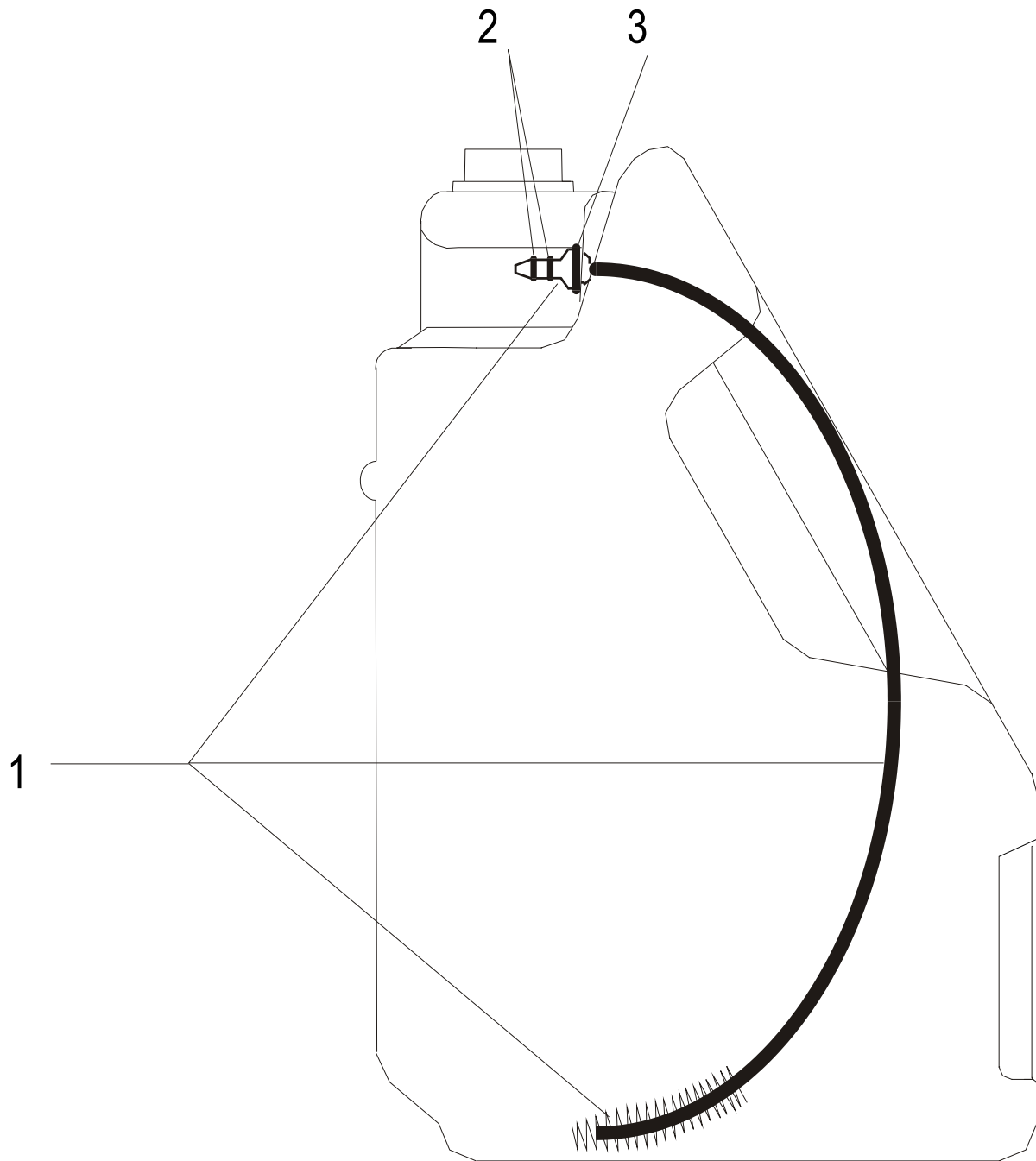
Hybrid Typhoon



110004554

Pos./Ref.	Nr. No.	Description Beschreibung Désignation Designación	Hybrid Typhoon	Hybrid Typhoon U	Hybrid Typhoon 40	Hybrid Typhoon U40	Hybrid Typhoon 60Hz	Hybrid Typhoon U60Hz
1	110004801	Fitting kit	1	1	1	1	1	1
2	0607433	Bracket for can		2		2		2
3	110004558 (156208)	Scew kit						
4	110004495	Cover plate	1	1	1	1	1	1
5	110004558 (156208)	Screw kit						

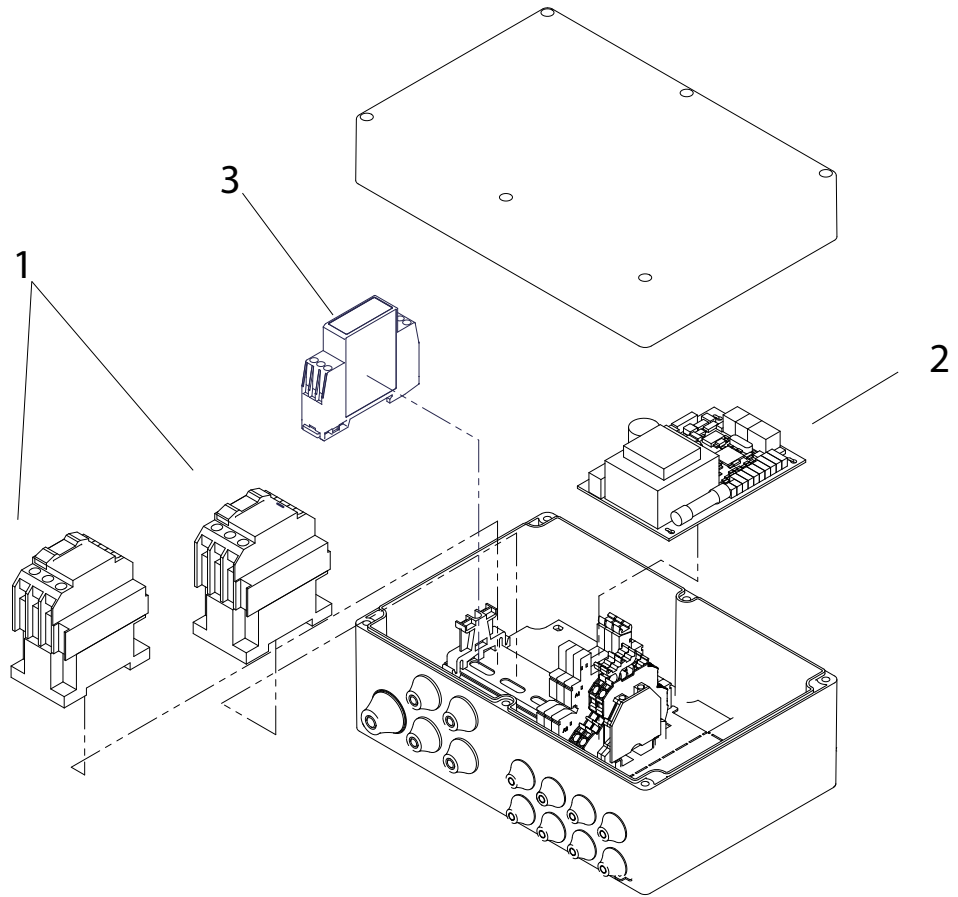
Hybrid Typhoon



17198_30

Pos./Ref.	Nr. No.	Description Beschreibung Désignation Designación	Hybrid Typhoon	Hybrid Typhoon U	Hybrid Typhoon 40	Hybrid Typhoon U40	Hybrid Typhoon 60Hz	Hybrid Typhoon U60Hz
1	0607492	Replacement /change out kit for can		1		1		
2	110004559 (0635012)	O-Ring kit for suction nipple						
3	110004559 (0635013)	O-Ring kit for suction nipple						
4	0607536	Can, Right, complete		1		1		1
5	0607537	Can, Left, complete		1		1		1

Hybrid Typhoon

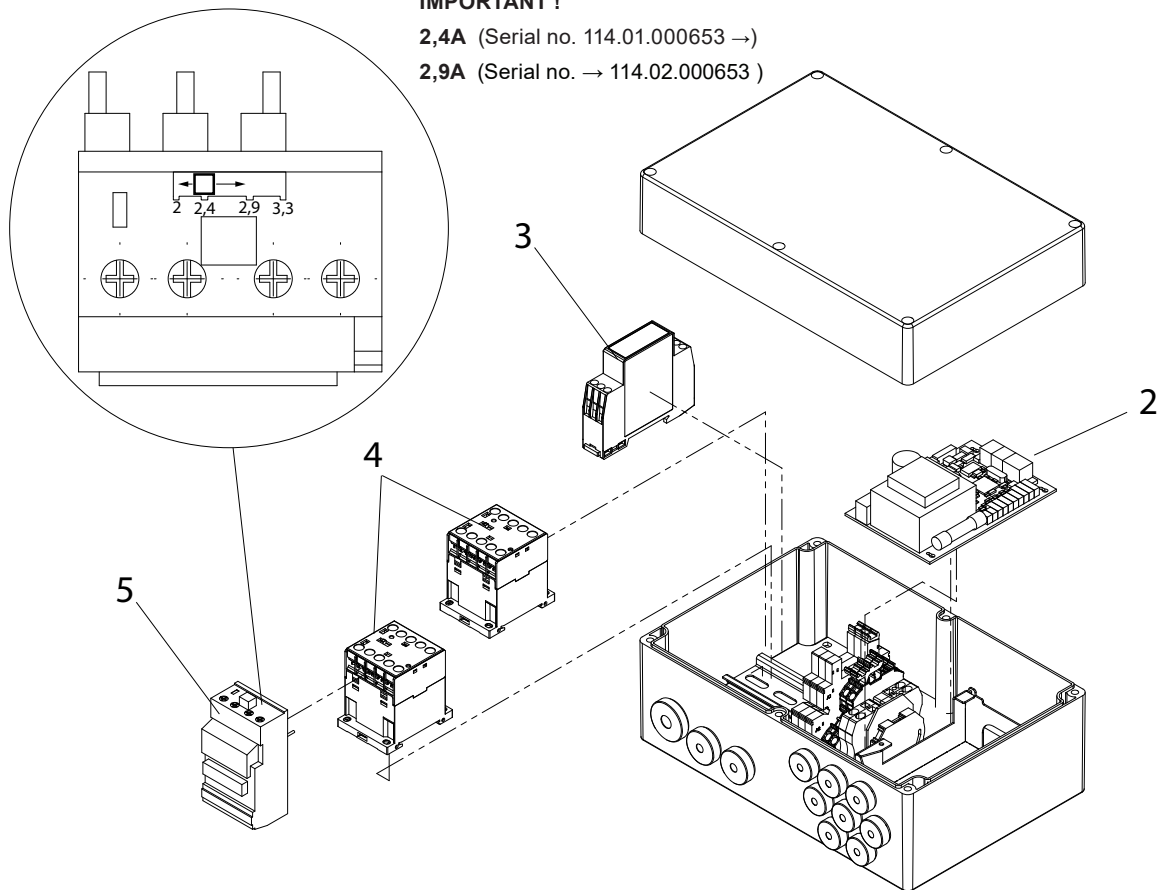


110004551

IMPORTANT !

2,4A (Serial no. 114.01.000653 →)

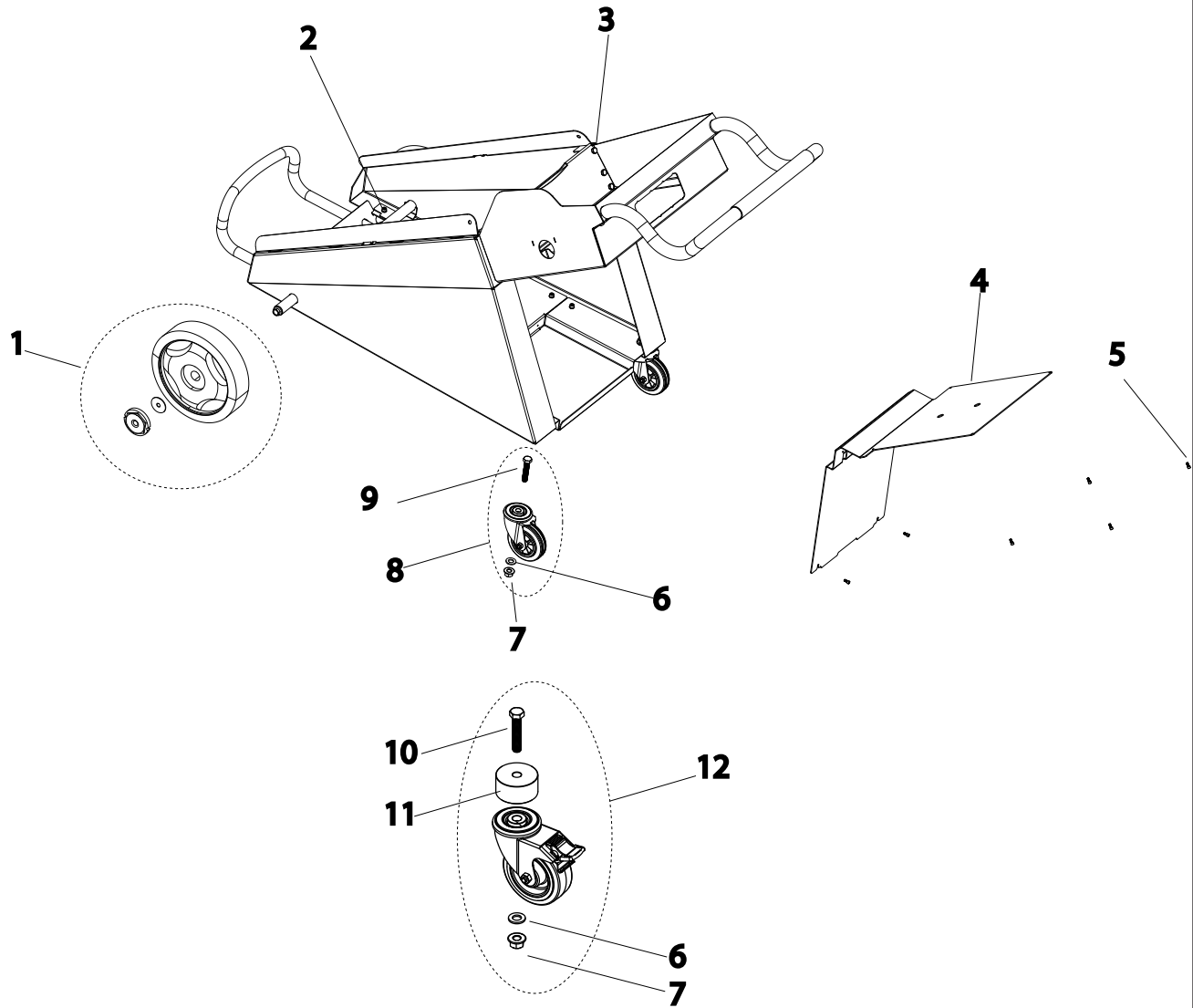
2,9A (Serial no. → 114.02.000653)



110009745A

Pos./Ref.	Nr. No.	Description Beschreibung Désignation Designación	Hybrid Typhoon	Hybrid Typhoon U	Hybrid Typhoon 40	Hybrid Typhoon U40	Hybrid Typhoon 60Hz	Hybrid Typhoon U60Hz
1	110004602	Contactora Serial no: →114.01.000653	2	2	1	1	1	1
2	110004710	Printed circuit Board	1	1	1	1	1	1
3	0628087	Monitoring relay			1	1		
4	110009534	Contactora Serial no: 114.02.000653 →	2	2	1	1		
5	110009533	Circuit breaker for motor protection Serial no: 114.02.000653 →	1	1	1	1		
	110004541	Controller complete	1	1			1	1
	110004542	Controller complete			1	1		
	110009747	Controller complete Serial no: 114.02.000653 →	1	1	1	1		

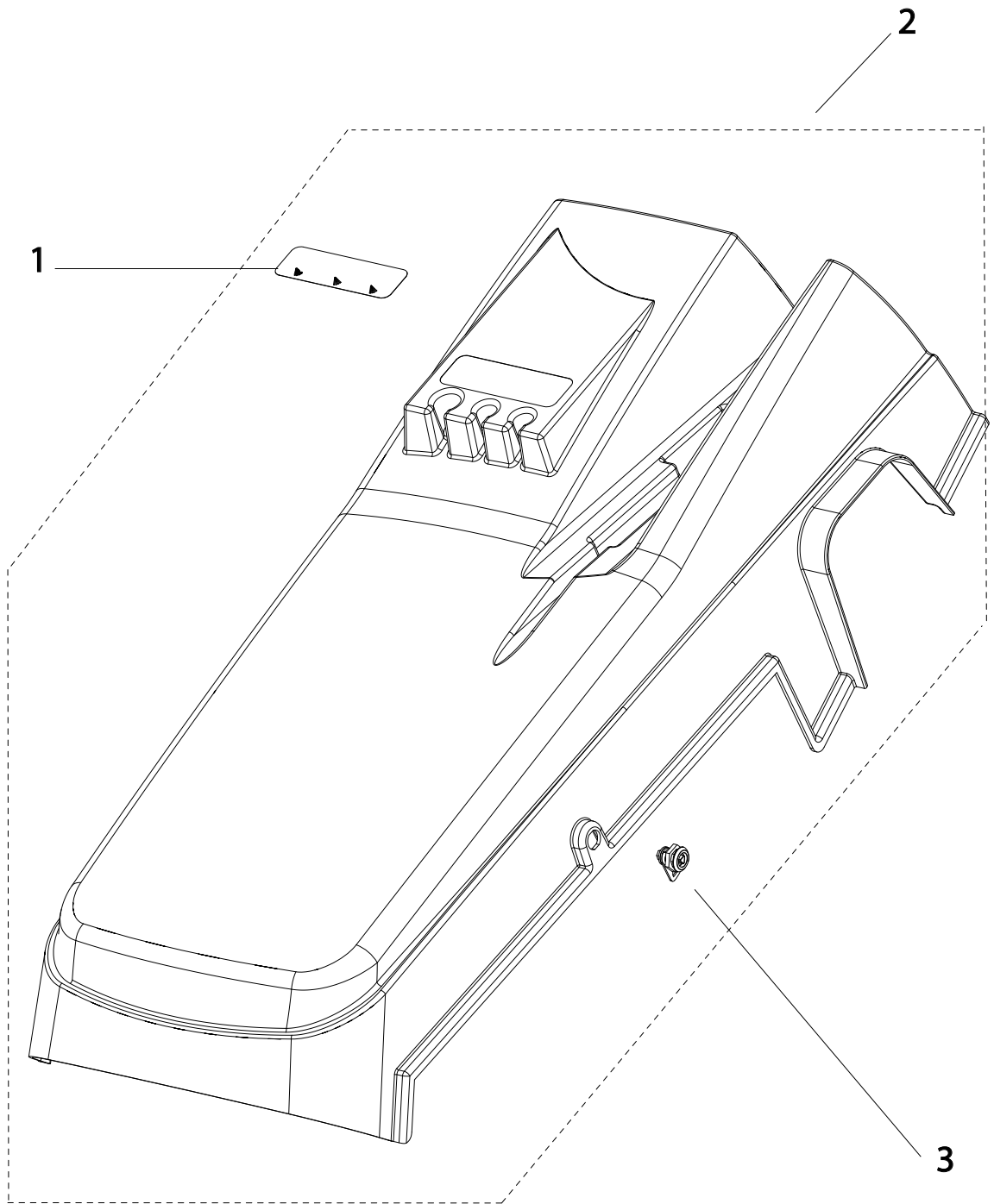
Hybrid Typhoon



110004548

Pos./Ref.	Nr. No.	Description Beschreibung Désignation Designación	Hybrid Typhoon	Hybrid Typhoon U	Hybrid Typhoon 40	Hybrid Typhoon U40	Hybrid Typhoon 60Hz	Hybrid Typhoon U60Hz
1	0607832	Wheel complete	2	2	2	2	2	2
2	110004558 (0602084)	Screw kit						
3	110004558 (156503)	Screw kit						
4	110004495	Cover plate	1	1	1	1	1	1
5	110004558 (156208)	Screw kit						
6	110004558 (156702)	Screw kit						
7	110004558 (321700)	Screw kit						
8	0607833	Wheel complete	2	2	2	2	2	2
9	110004558 (156704)	Screw kit						
10	110004558 (156709)	Screw kit						
11	110006262	Distance piece			2	2		
12	110006264	Wheel w. brake complete			2	2		

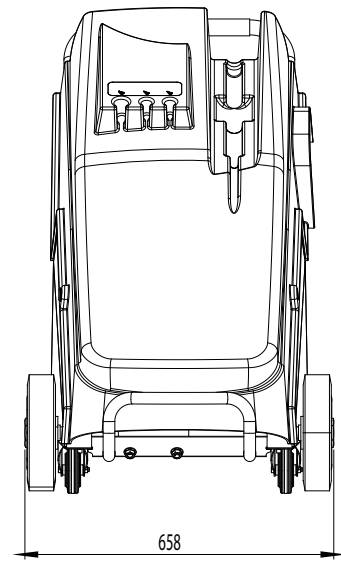
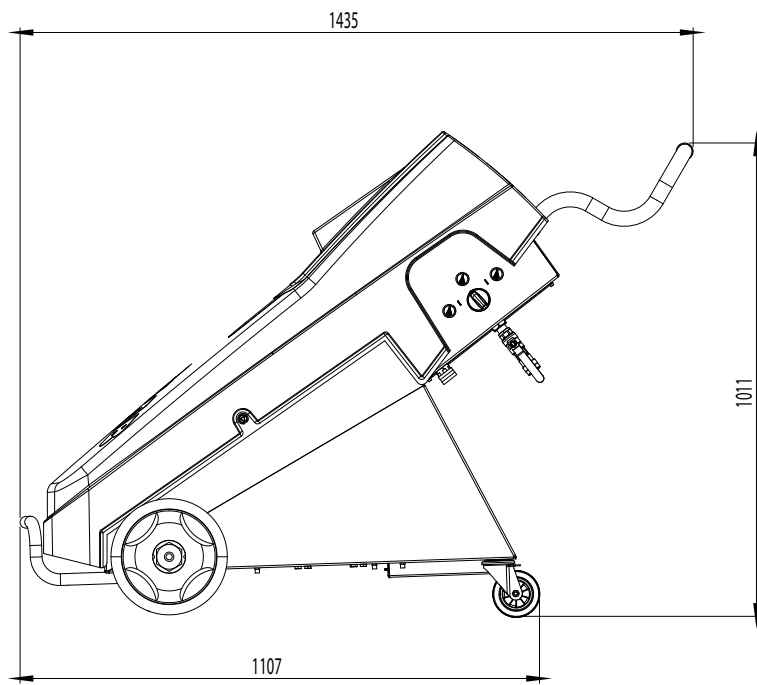
Hybrid Typhoon



11004552

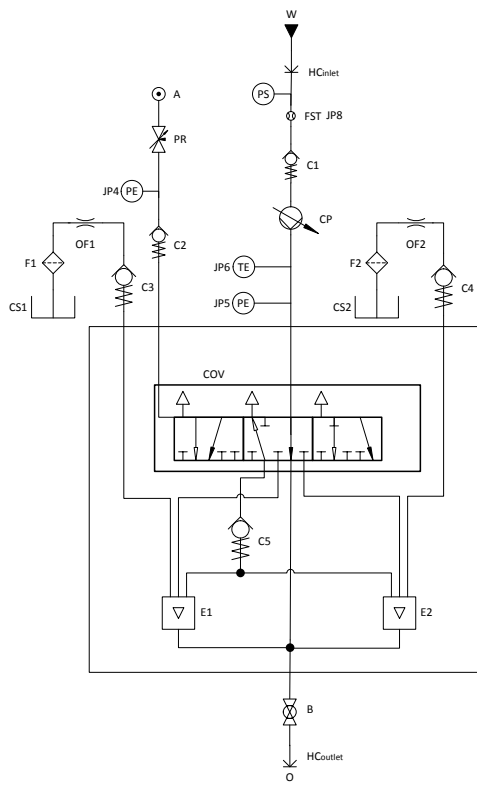
Pos./Ref.	Nr. No.	Description Beschreibung Désignation Designación	Hybrid Typhoon	Hybrid Typhoon U	Hybrid Typhoon 40	Hybrid Typhoon U40	Hybrid Typhoon 60Hz	Hybrid Typhoon U60Hz
1	0611133	Label	1	1	1	1	1	1
2	110004503	Cover complete	1	1	1	1	1	1
3	110004504	Lock for cover	2	2	2	2	2	2

Installation



110004599

Operating diagram



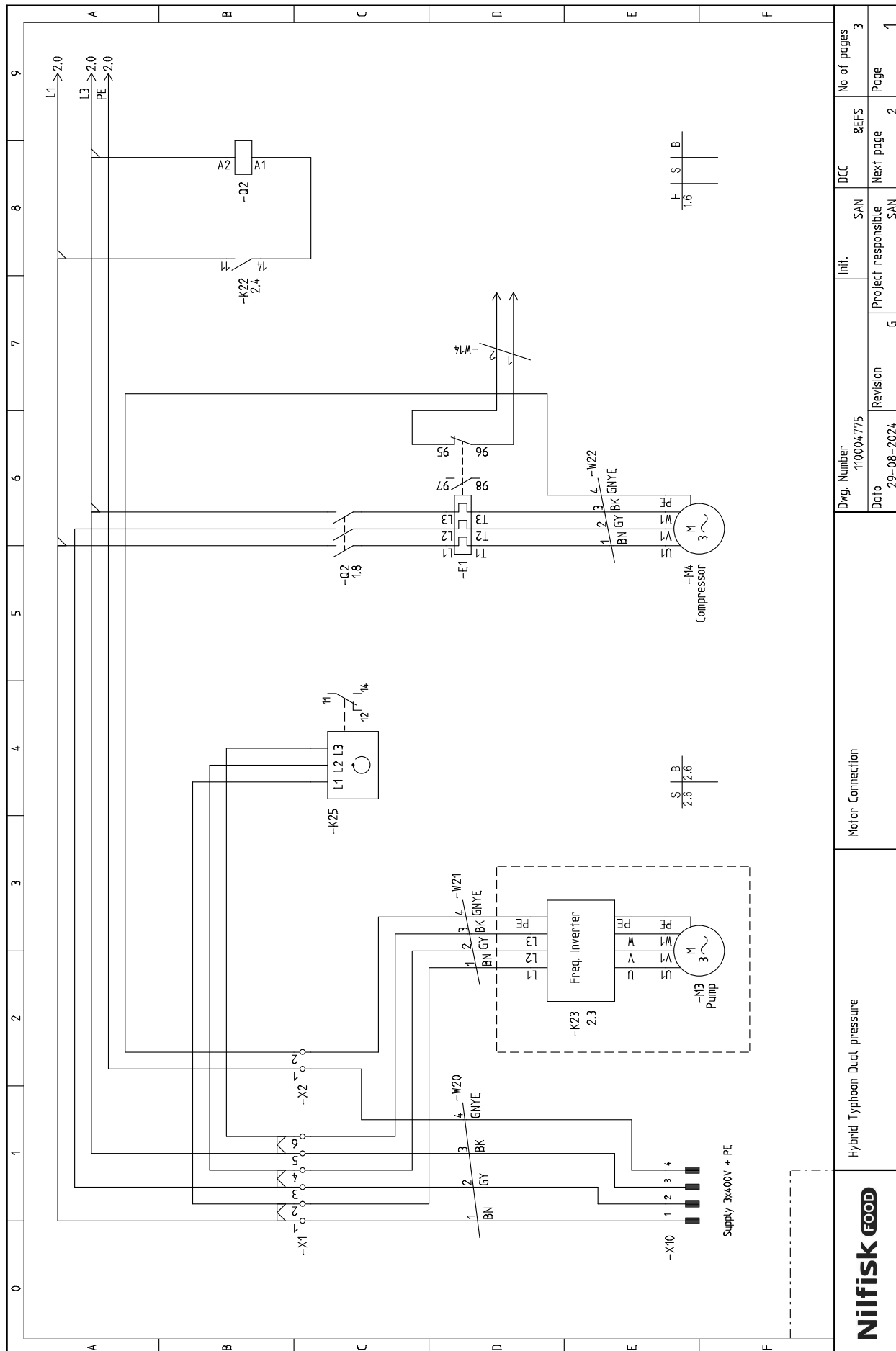
Number/Mark	Description
A	Air supply
B	Ball valve
C	Check valve
COV	Change over valve
CP	Centrifugal pump
CR	Chemical regulator
CS	Chemical supply
E	Ejector
F	Filter
FST	Flowsensor and -trigger
HC	Hose coupling
JP	Controller board connection
O	Outlet
OF	Orifice
PE	Pressure sensor (analog)
PS	Pressure sensor (digital)
PR	Pressure regulator (manual)
TE	Temperature sensor (analog)

110004636

El diagram

Serial no: 114.02.000723 / 114.03.000725 →

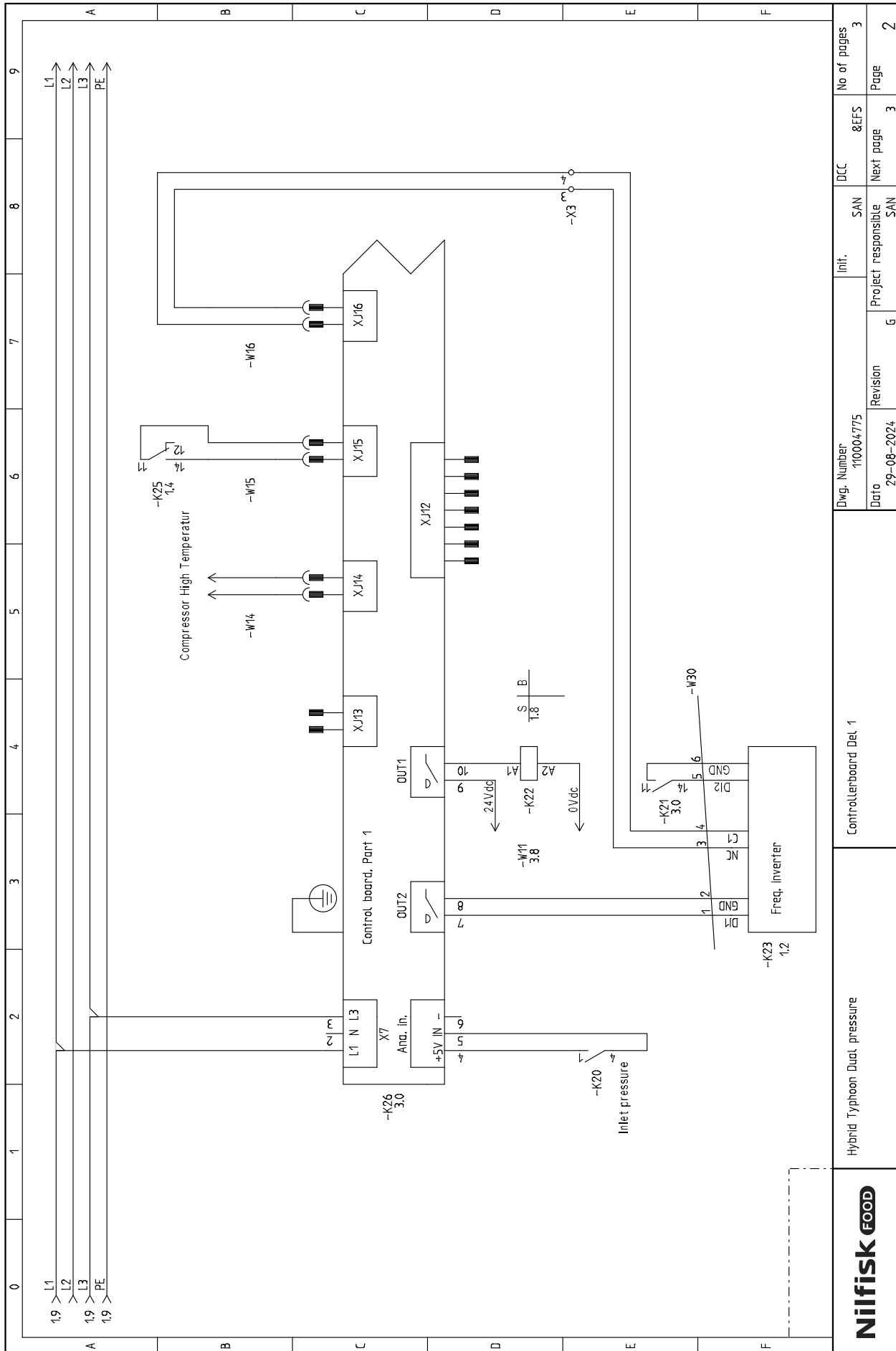
29-08-2024



El diagram

Serial no: 114.02.000723 / 114.03.000725 →

29-08-2024

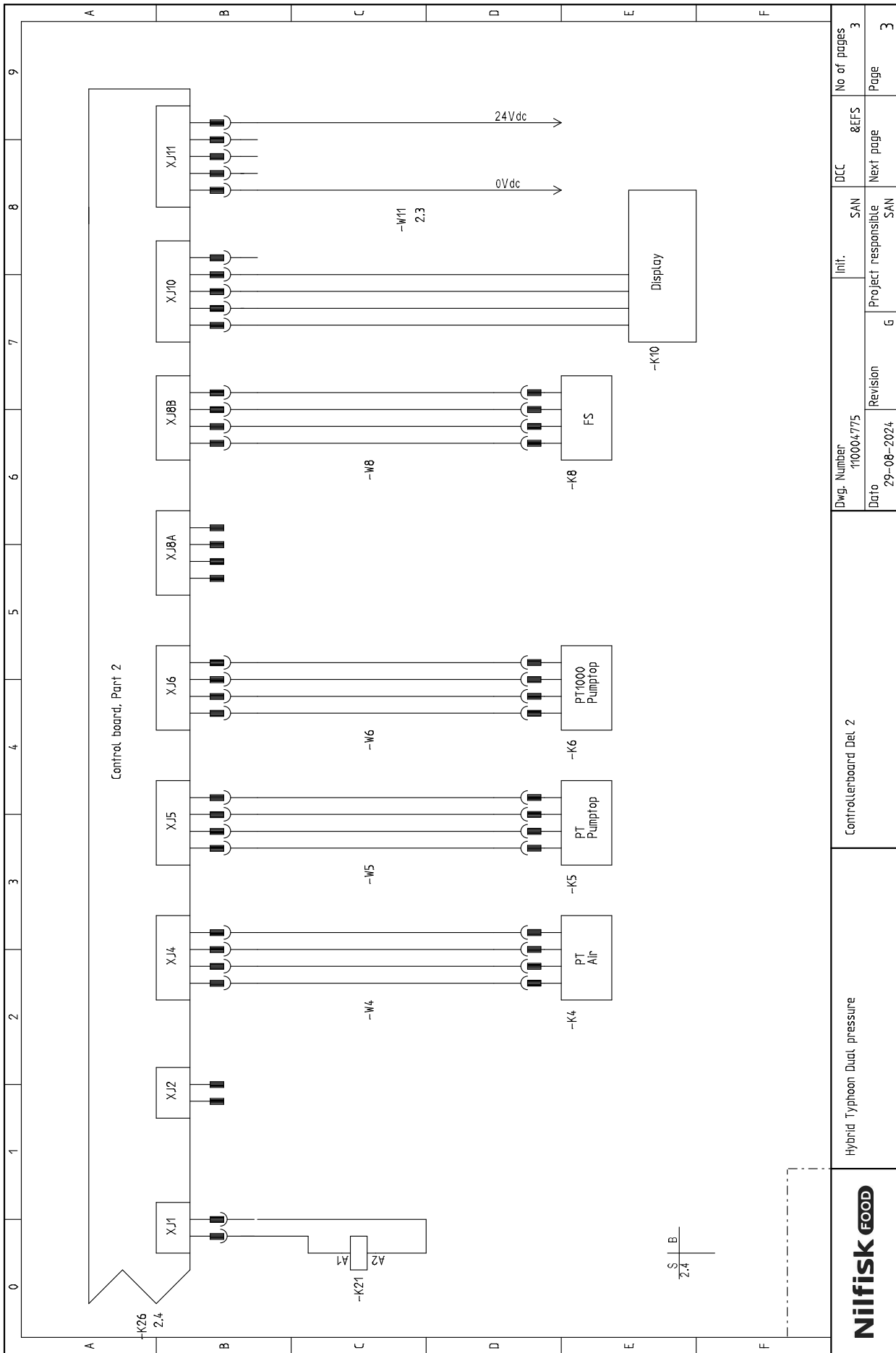


	Hybrid Typhoon Dual pressure	Controlboard Del. 1		Dwg. Number 110004775	Init. SAN	DCC	No of pages 3
				Date 29-08-2024	Revision G	Project responsible SAN	Next page 3
							Page 2

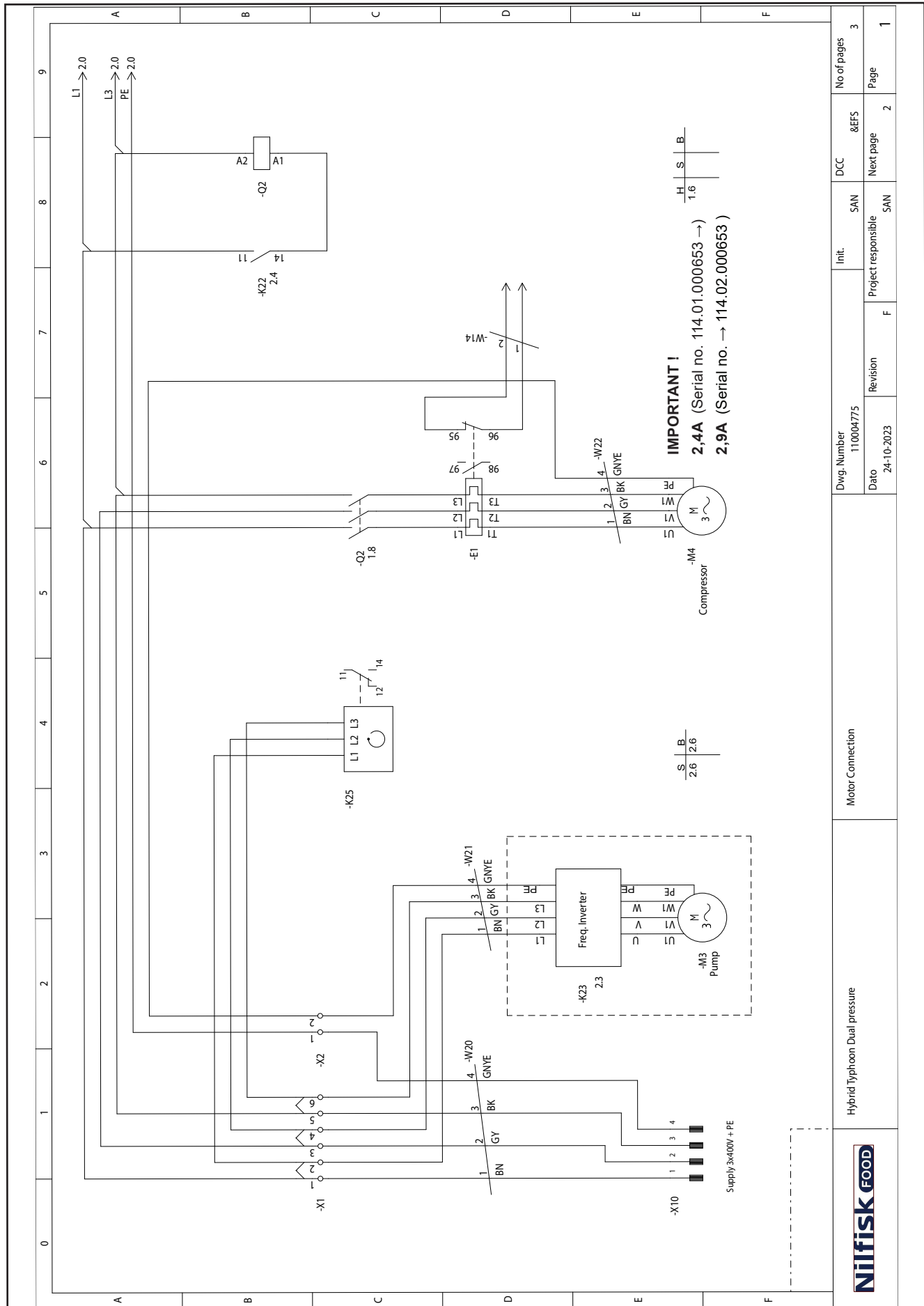
El diagram

Serial no: 114.02.000723 / 114.03.000725

29-08-2024



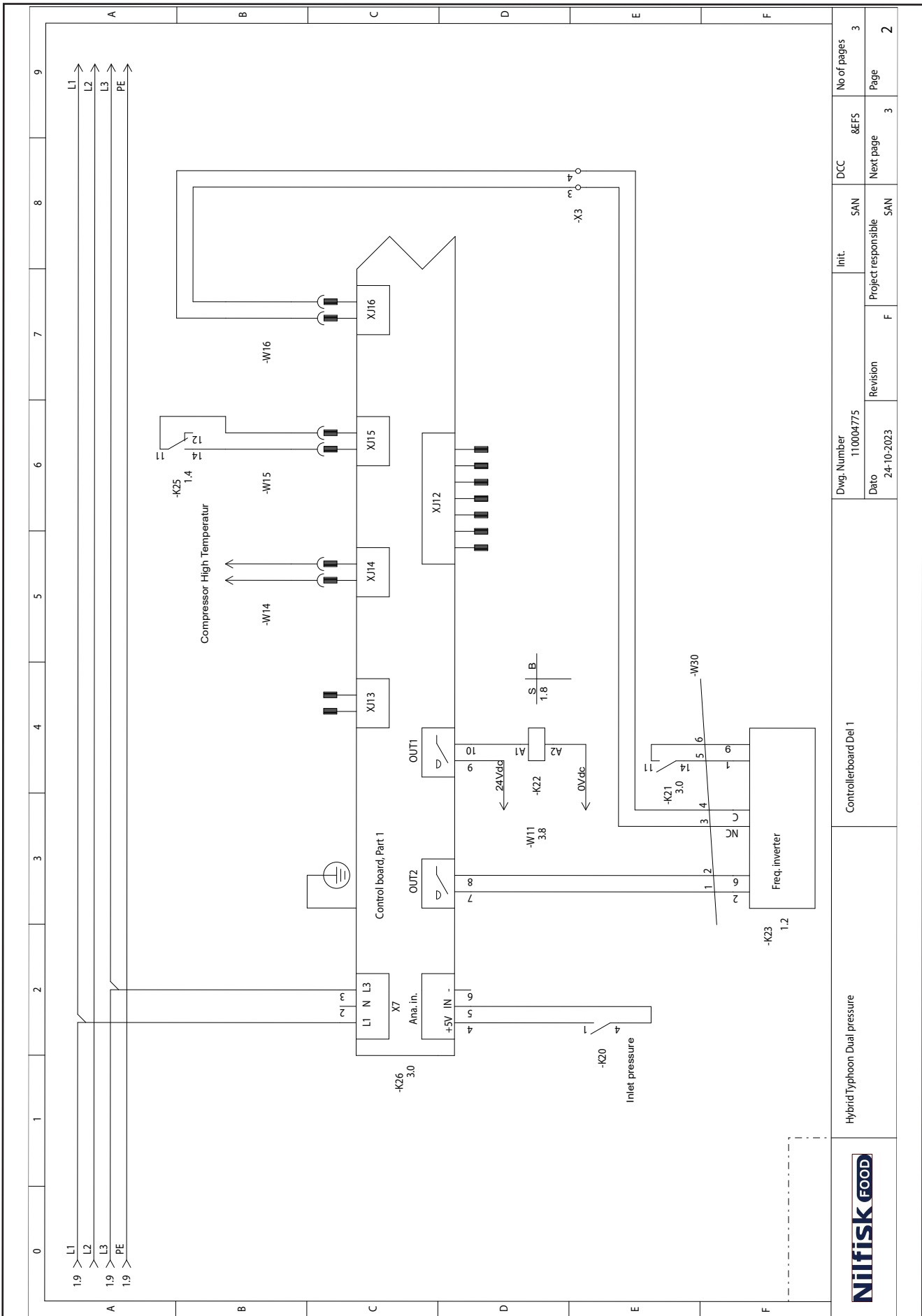
El diagram
Serial no: 114.02.000724 (- 114.02.000723)
→ 28-08-2024



Dwg. Number 110004775		Init. SAN	DCC	No of pages 3
Date 24-10-2023	Revision F	Project responsible SAN	Next page 2	Page 1



EI diagram

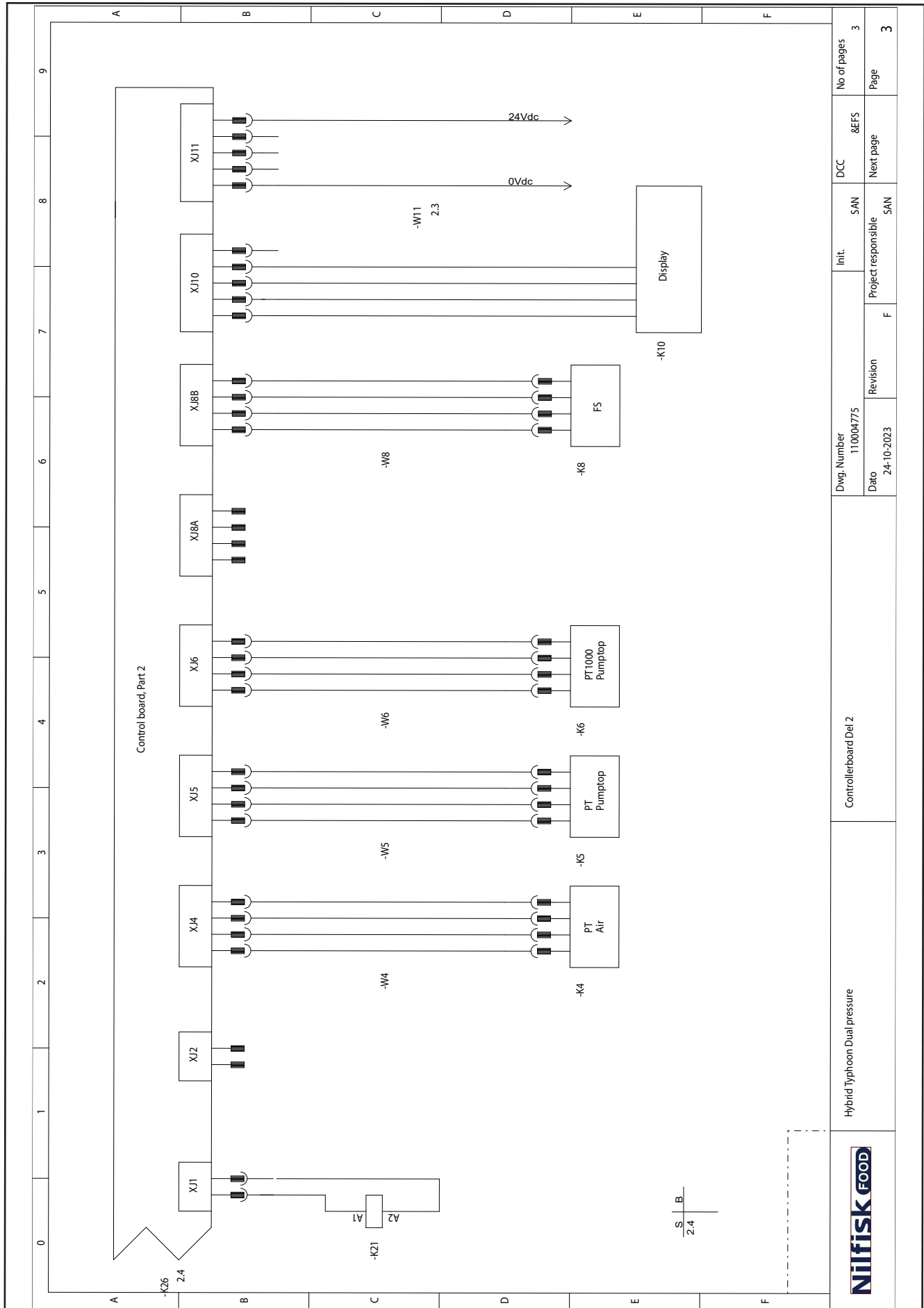


HybridTyphoon Dual pressure

Controllerboard Del 1

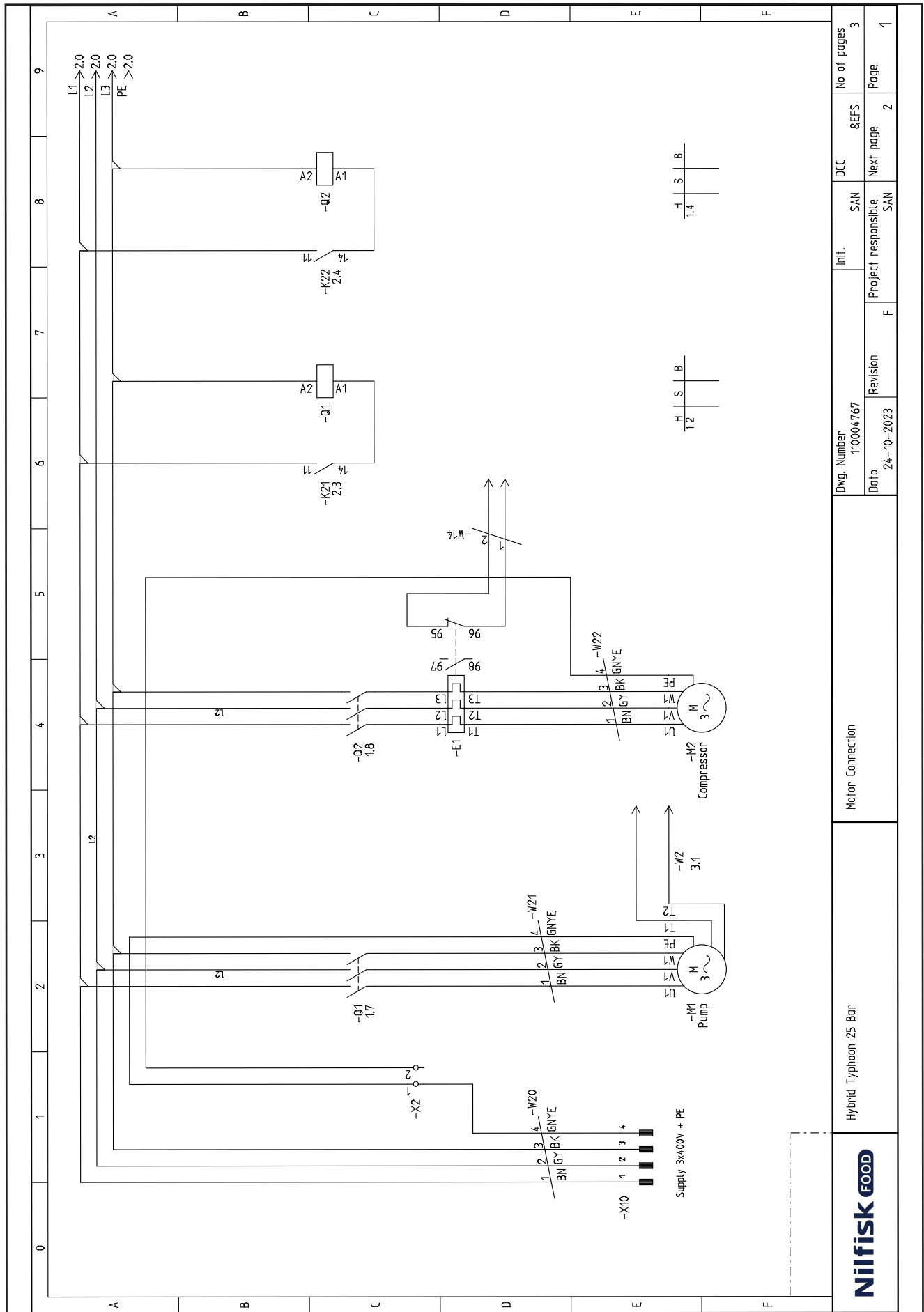
Dwg. Number	110004775	Init.	SAN	DCC	&EFS	No of pages
Date	24-10-2023	Revision	F	Next page	SAN	3
Project responsible						Page
SAN						2

EI diagram



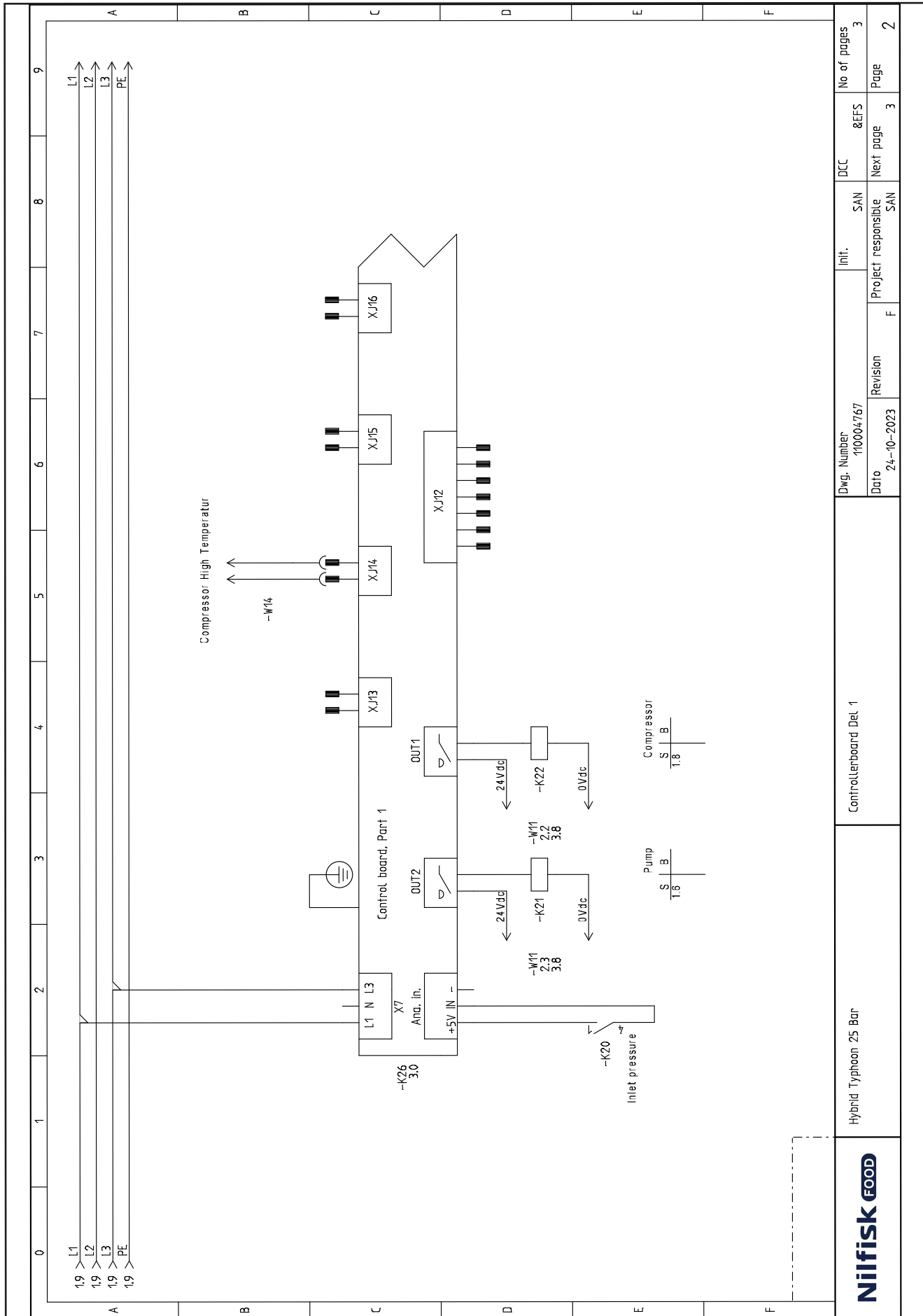
Hybrid Typhoon Dual pressure		Controllerboard Del 2		Dwg. Number 110004775		Init. SAN		DCC &EFS		No of pages 3	
Nilfisk FOOD				Date 24-10-2023		Revision F		Project responsible SAN		Page 3	

EI diagram



	Hybrid Typhoon 25 Bar	Motor Connection	Dwg. Number 110004767	Init. SAN	DCC	No of pages 3
			Dato 24-10-2023	Revision F	Project responsible SAN	&EFS Next page 2
						Page 1

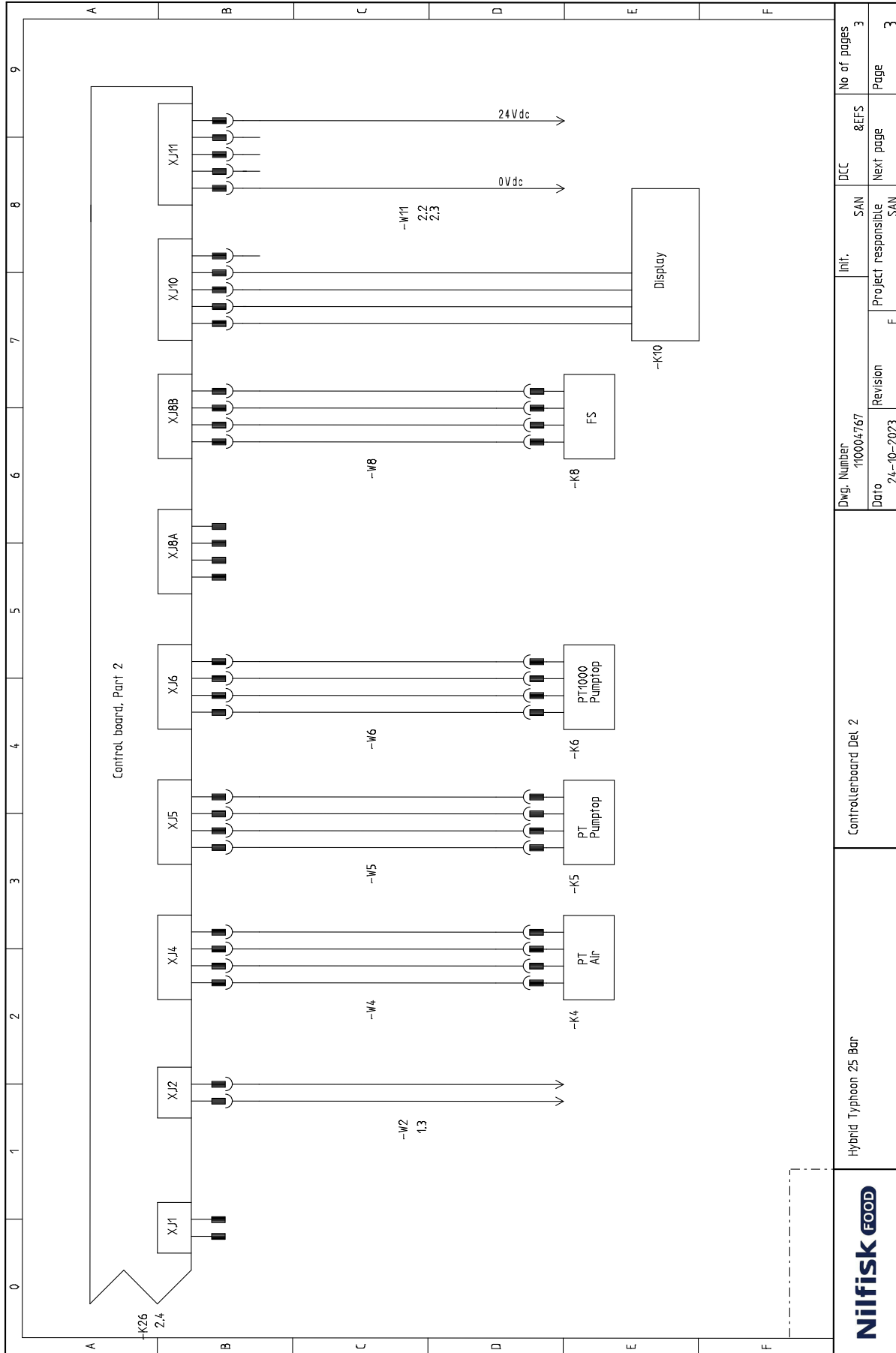
El diagram



Nilfisk FOOD

Dwg. Number	Init.	DCC	No of pages
#10004767	SAN	&EFS	3
Date	Revision	Next page	Page
24-10-2023	F	SAN	2
Project responsible		SAN	

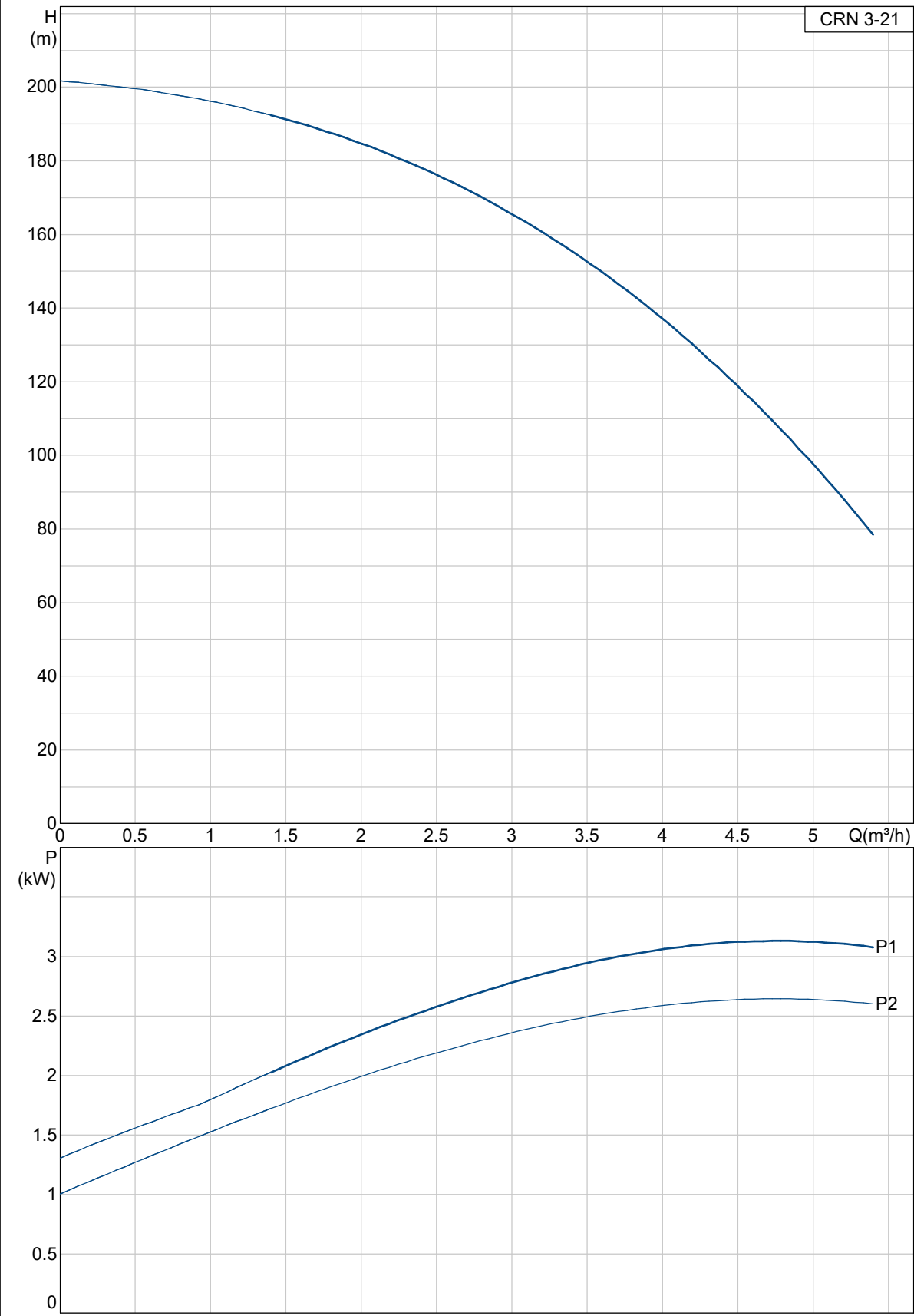
EI diagram



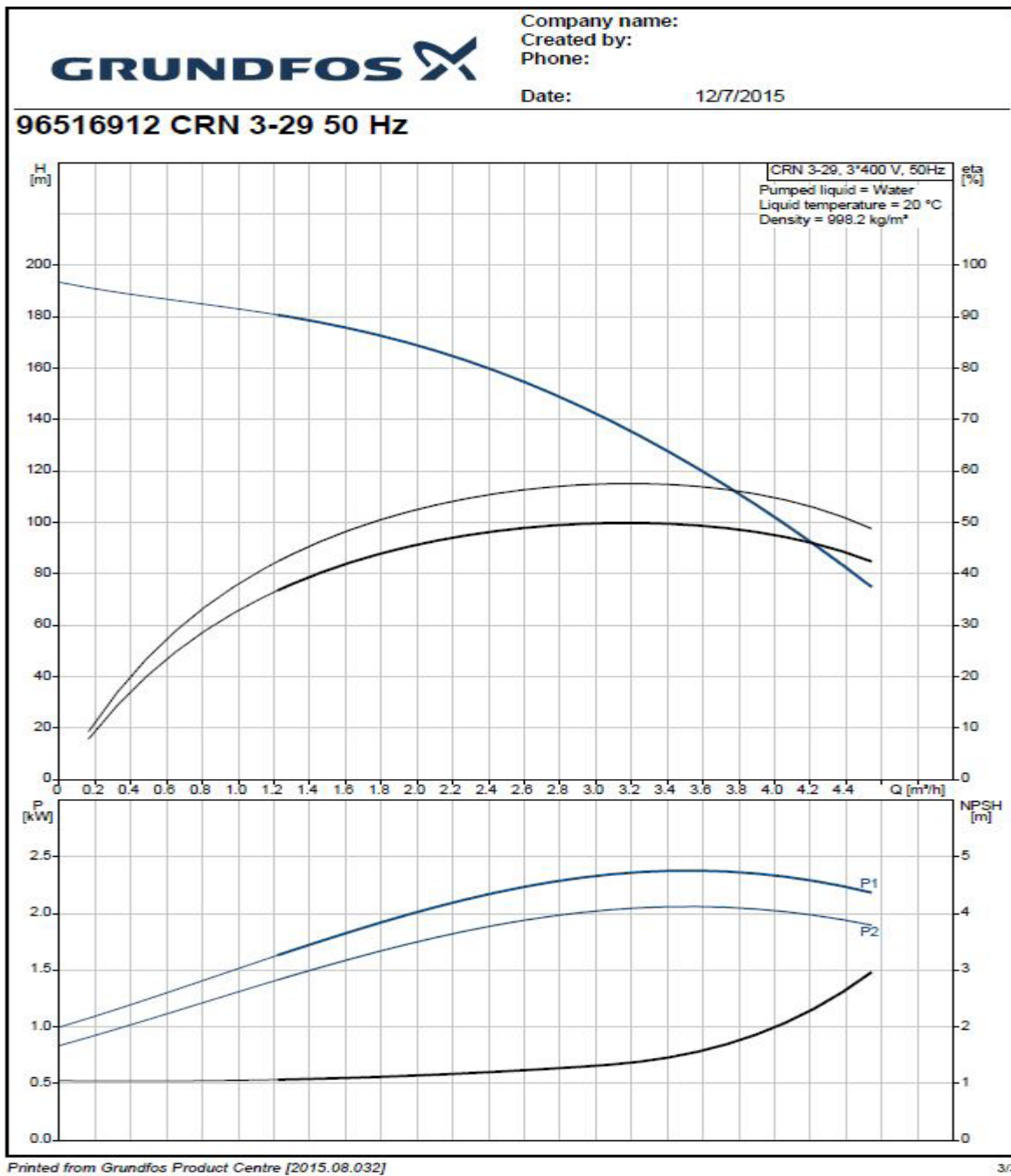
Hybrid Typhoon 25 Bar		Controlboard Del. 2		Dwg. Number 170004767	Init. SAN	DCC &EFS	No. of pages 3
Nilfisk FOOD		Date 24-10-2023	Revision F	Project responsible SAN	Next page	Page	3

Pump curve 25 bar 60 Hz

96518565 CRN 3-21



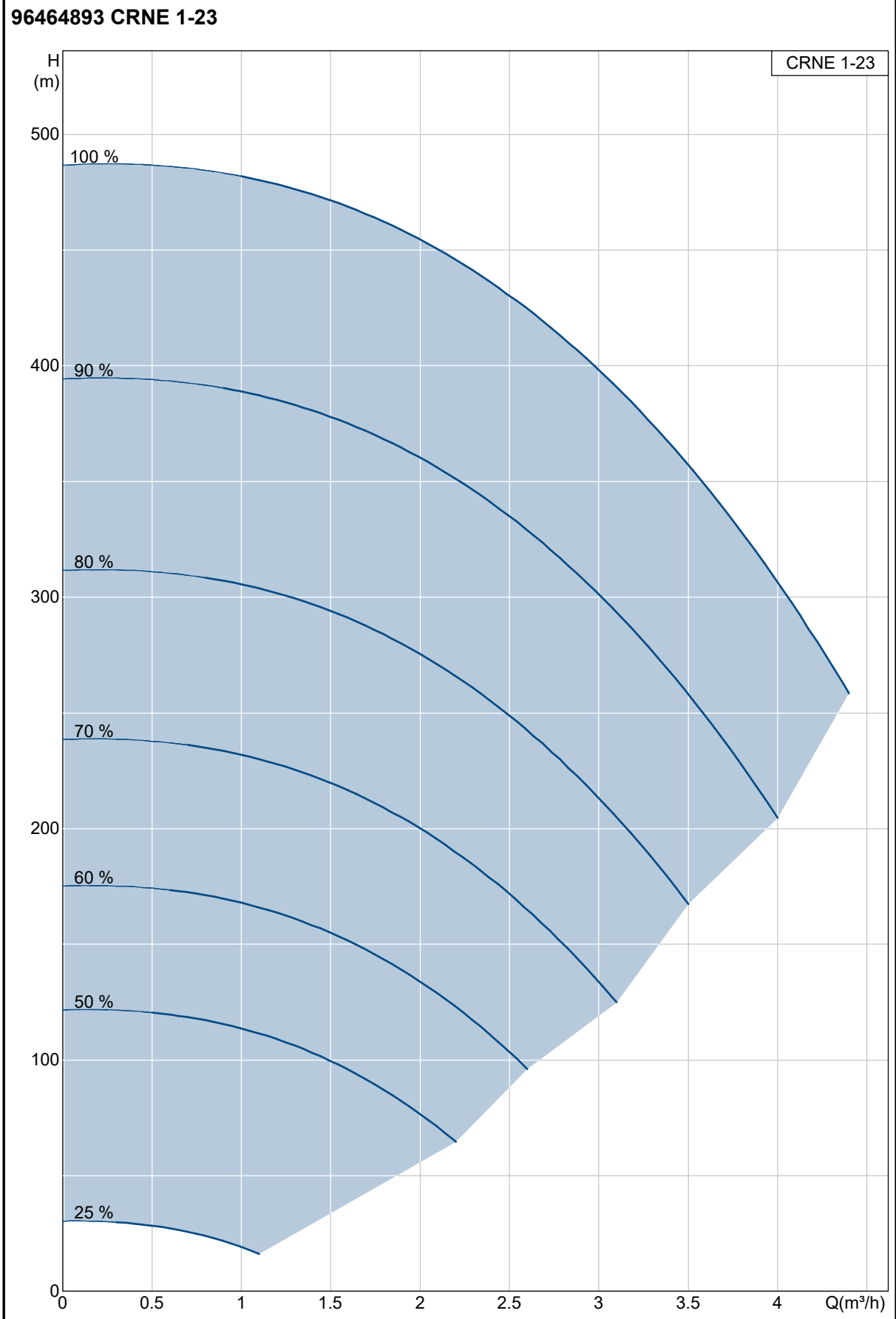
Pump curve 25 bar 50 Hz



Printed from Grundfos Product Centre [2015.08.032]

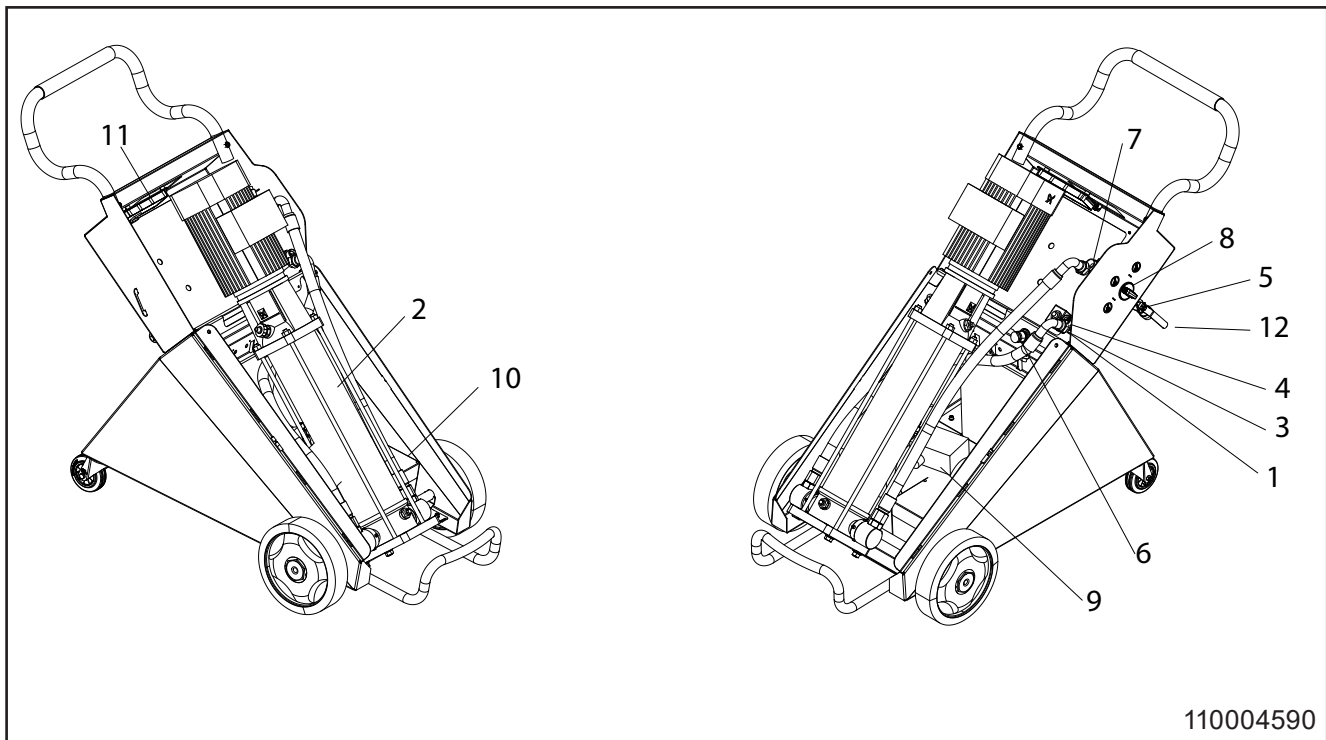
3/3

Pump curve 40 bar 50Hz



Layout Hybrid Typhoon

Layout Hybrid Typhoon



110004590

	English	German	French	Spanish
1	Water inlet	Wassereinlauf	Entrée d'eau	Entrada de agua
2	Pump	Pumpe	Pompe	Bomba
3	Flow switch	Durchflussschalter	Interrupteur de débit	Interruptor de caudal
4	Pressure sensor	Drucksensor	Capteur de pression	Sensor de presión
5	Water Outlet pipe	Wasser Auslaufrohr	Conduit sortie	Tubería de salida
6	Air regulator	Luftregler mit Manometer	Régulateur d'air avec manomètre	Regulador de aire con manómetro
7	Multi block	Multi Block	Multi Block	Multibloque
8	Operation button	Bedientaste	Bouton de commande	Botón de funcionamiento
9	Compressor	Kompressor	Compresseur?	Compresor
10	Controller	Regler	Contrôleur	Controlador
11	Display	Display	Affichage	Visor
12	Ball valve with quick coupling	Kugelventil mit Schnellkupplung	Robinet à boisseau sphérique avec raccord rapide	Válvula de bola con acoplamiento rápido

Printed in Denmark

No.: 110004486ZN 11/2025
Serial no: 114.03.000725

© 2015 All rights reserved

ECOLAB Engineering GmbH,
F & B Engineering Competence Centre EMEA,
Raiffeisenstraße 7,
D-83313 Siegsdorf
Telephone.: (+49) 86 62 /61 0 - Fax: (+49) 86 62 / 61 2 35
e-Mail: engineering-mailbox@ecolab.com

ECOLAB[®]