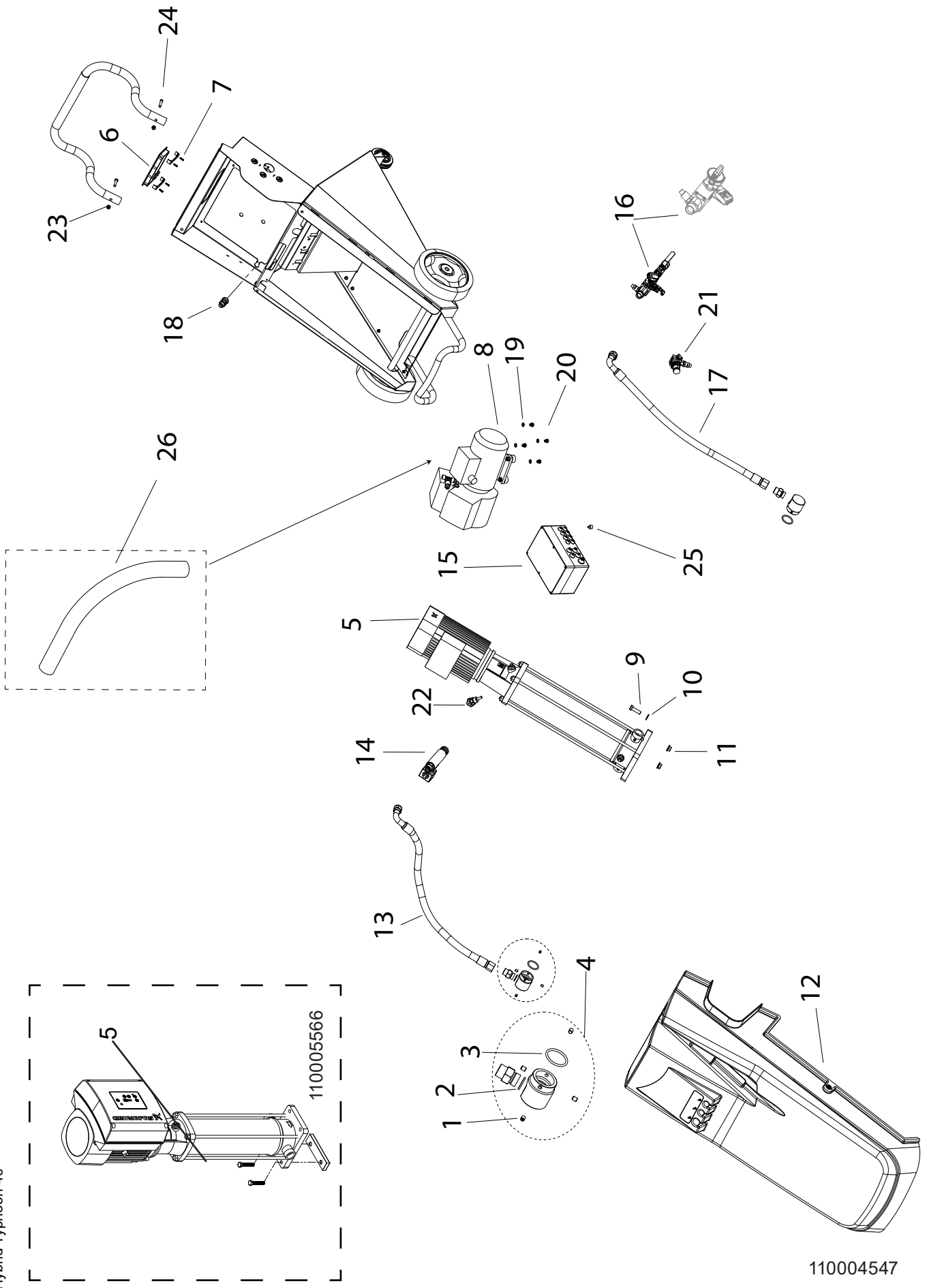


Spare parts
Ersatzteile
Pièces de rechange
Piezas de requesto

Hybrid Typhoon

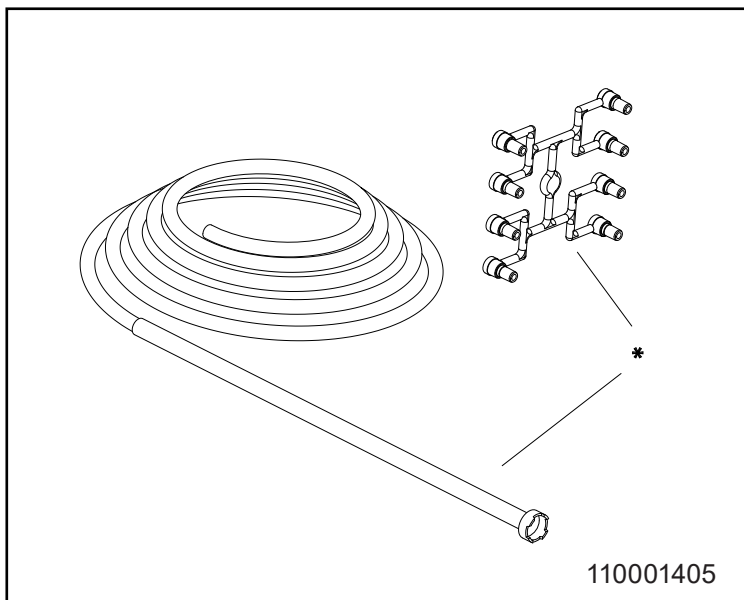
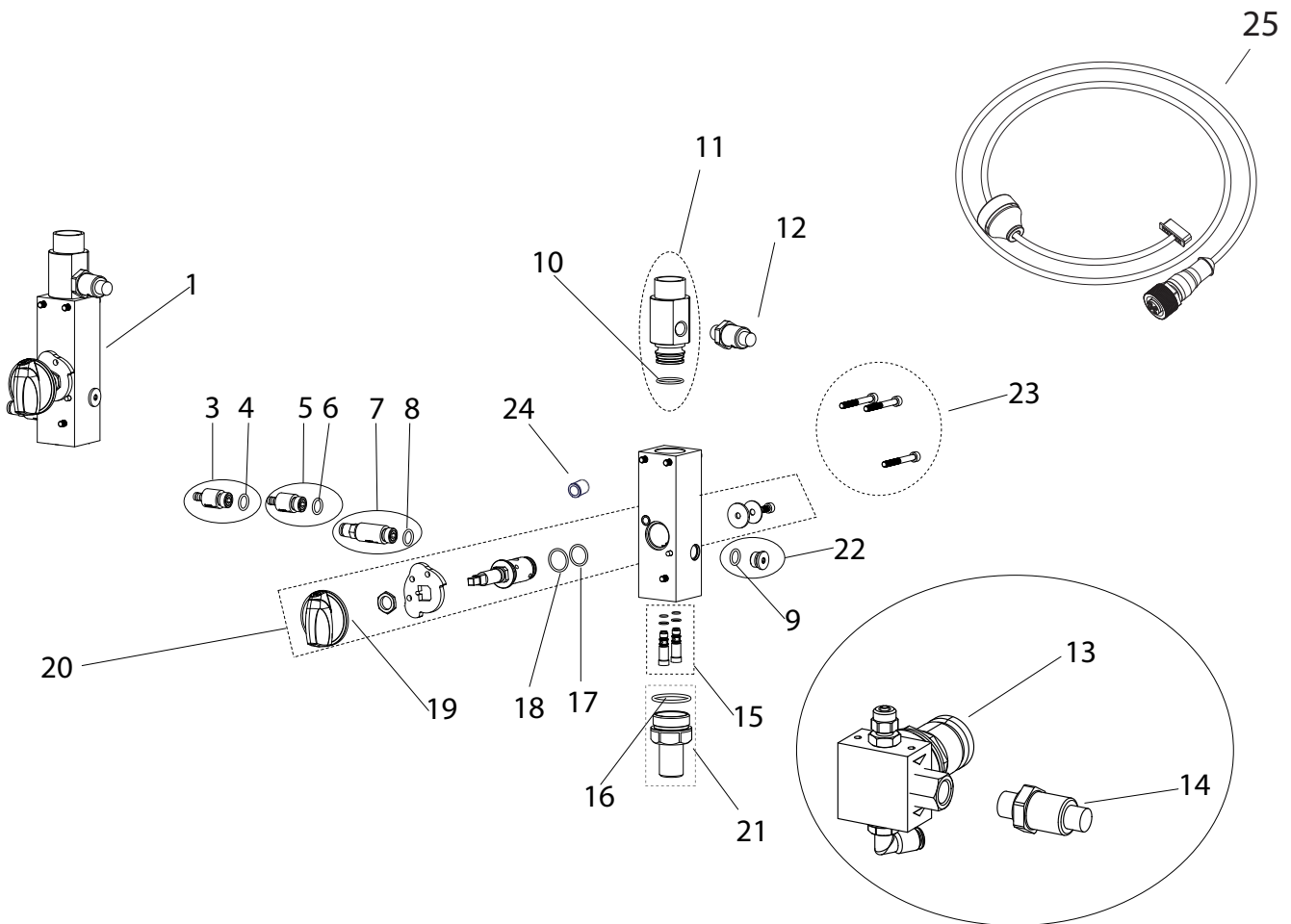


Pos./Ref.	Nr. No.	Description Beschreibung Désignation Designación	Hybrid Typhoon	Hybrid Typhoon U	Hybrid Typhoon 40	Hybrid Typhoon U40	Hybrid Typhoon 60Hz	Hybrid Typhoon U60Hz
1	110004558 (156519)	Screw kit						
2	110004559 (0635005)	O-ring kit						
3	110004559 (603700)	O-ring kit						
4	110004555	Pump coupling complete	2	2	2	2	2	2
5	0604154 110005566 0604155	(25 bar) Pump 50 Hz (40 bar) Pump 50 Hz Pump 60 Hz	1	1	1	1	1	1
6	110004546	Display complete (25 bar)	1	1			1	1
6	110004582	Display complete (40 bar)			1	1		
7	110004558 (110000574)	Screw kit						
8	0604151 0604152	Compressor (50 Hz) (60 Hz)	1	1	1	1	1	1
9	110004558 (156704)	Screw kit						
10	110004558 (156702)	Screw kit						
11	110004558 (321700)	Screw kit						
12		See page 102						
13	110004543	Hose 3/4" complete						
14		See page 92						
15		See page 98						
16		See page 88						
16		See page 90						
17	110004543	Hose 3/4" complete						
18	0601597	Fitting						
19	110004558 (156511)	Screw kit						
20	110004558 (156502)	Screw kit						
21		See page 88 & 90						
22	110004713	Sensor						
23	110004558 (156518)	Screw kit						
24	110004558 (110004657)	Screw kit						
25	110004558 (0636048)	Screw kit						
26	110006183	Air hose (5 m)						

Hybrid Typhoon

Block

Serial no.: 114.01.000XXX

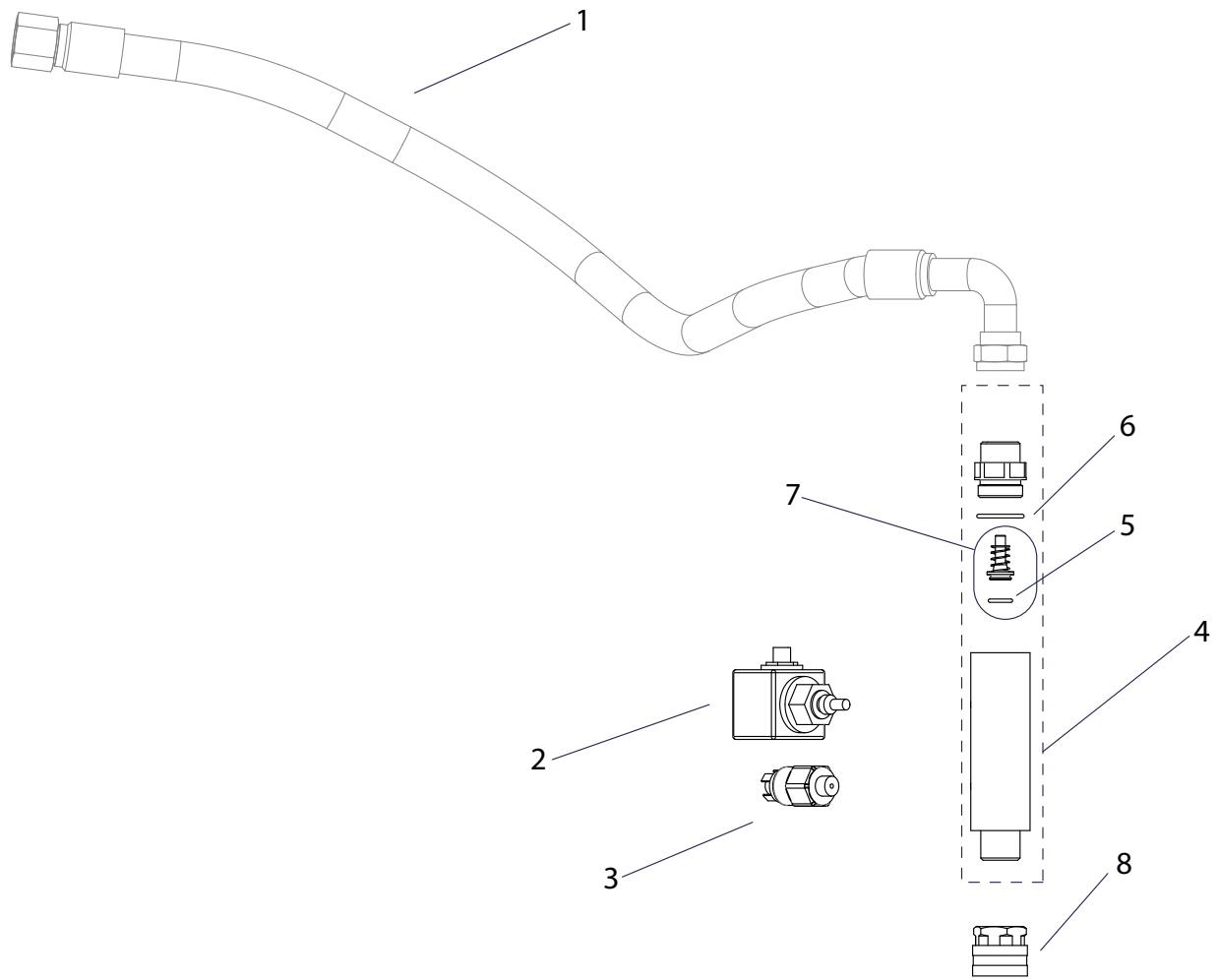


110004549

Pos./Ref.	Nr. No.	Description Beschreibung Désignation Designación	Hybrid Typhoon	Hybrid Typhoon U	Hybrid Typhoon 40	Hybrid Typhoon U40	Hybrid Typhoon 60Hz	Hybrid Typhoon U60Hz
1	110004485	Block with bracket complete	1	1	1	1	1	1
2	110003282	Air controller valve complete	1	1	1	1	1	1
3	110001102	Chemical non return valve complete	2	2	2	2	2	2
4	110004559 (110000910)	O-ring kit						
5	110001102	Chemical non return valve complete	2	2	2	2	2	2
6	110004559 (110000910)	O-ring kit						
7	110001979	Air non return valve with straight fitting	1	1	1	1	1	1
8	110004559 (110000910)	O-ring kit						
9	110004558 (110000910)	O-ring kit						
10	110004559 (0600078)	O-ring kit						
11	110004639	Hose coupling for block	1	1	1	1	1	1
12	110000890	Sensor	1	1	1	1	1	1
13	110006896	Air regulation complete	1	1	1	1	1	1
14	110000889	Sensor	1	1	1	1	1	1
15	110005215	Injector kit	1	1	1	1	1	1
16	110004559 (110000038)	O-ring kit						
17	110004559 (110002508)	O-ring kit						
18	110004559 (350108)	O-ring kit						
19	909100214	Operation button	1	1	1	1	1	1
20	110003401	Axle complete	1	1	1	1	1	1
21	110006214	Hexagon nipple complete	1	1	1	1	1	1
22	110002306	Plug complete						
23	110004558 (110000526)	Screw kit						
24	110002392	Spring plunger						
25	110000971	Sensor and Flow Switch cable	2	2	2	2	2	2
*	110001214 110001197 110001198 110001199 0646105	Chemical hose (blue) Chemical hose (yellow) Chemical hose (red) Chemical hose (green) Chemical limiting nozzle						

Pos./Ref.	Nr. No.	Description Beschreibung Désignation Designación	Hybrid Typhoon	Hybrid Typhoon U	Hybrid Typhoon 40	Hybrid Typhoon U40	Hybrid Typhoon 60Hz	Hybrid Typhoon U60Hz
1	110008810	Multi block Typhoon complete	1	1	1	1	1	1
2	110009017	Axle complete	1	1	1	1	1	1
3	110007687	Injector kit	2	2	2	2	2	2
4	110009018	Inlet connection kit	1	1	1	1	1	1
5	110001979	Air non return valve	1	1	1	1	1	1
6	110004434	Chemical non return valve	2	2	2	2	2	2
7	110006896	Air regulator complete	1	1	1	1	1	1
8	110002392	Spring plunger	1	1	1	1	1	1
9	909100249	Selector knob	1	1	1	1	1	1
10	110004559 (110002952)	O-ring kit						
11	110004558 (110002952)	Screw kit						
12	110004559 (110002508)	O-ring kit						
13	110004559 (350108)	O-ring kit						
14	110004559 (110000038)	O-ring kit	1	1	1	1	1	1
15	110002306	Plug	1	1	1	1	1	1
16	110006214	Outlet	1	1	1	1	1	1
17	110000889 (110008303)	Sensor						
18	110004559 (110004888)	O-ring kit						
19	110004559 (110004887)	O-ring kit						
20	110000890	Sensor	1	1	1	1	1	1
21	110000971	Sensor cable	2	2	2	2	2	2
22	110004558 (0600009)	Screw kit						
23	110005460	Ball valve	1	1	1	1	1	1
24	110004559 (641101)	O-ring kit						
25	110004559 (641102)	O-ring kit						
26	110004559 (0635040)	O-ring kit						
*	110001214 110001197 110001198 110001199 0614213	Chemical hose (blue) Chemical hose (yellow) Chemical hose (red) Chemical hose (green) Chemical limiting nozzle						

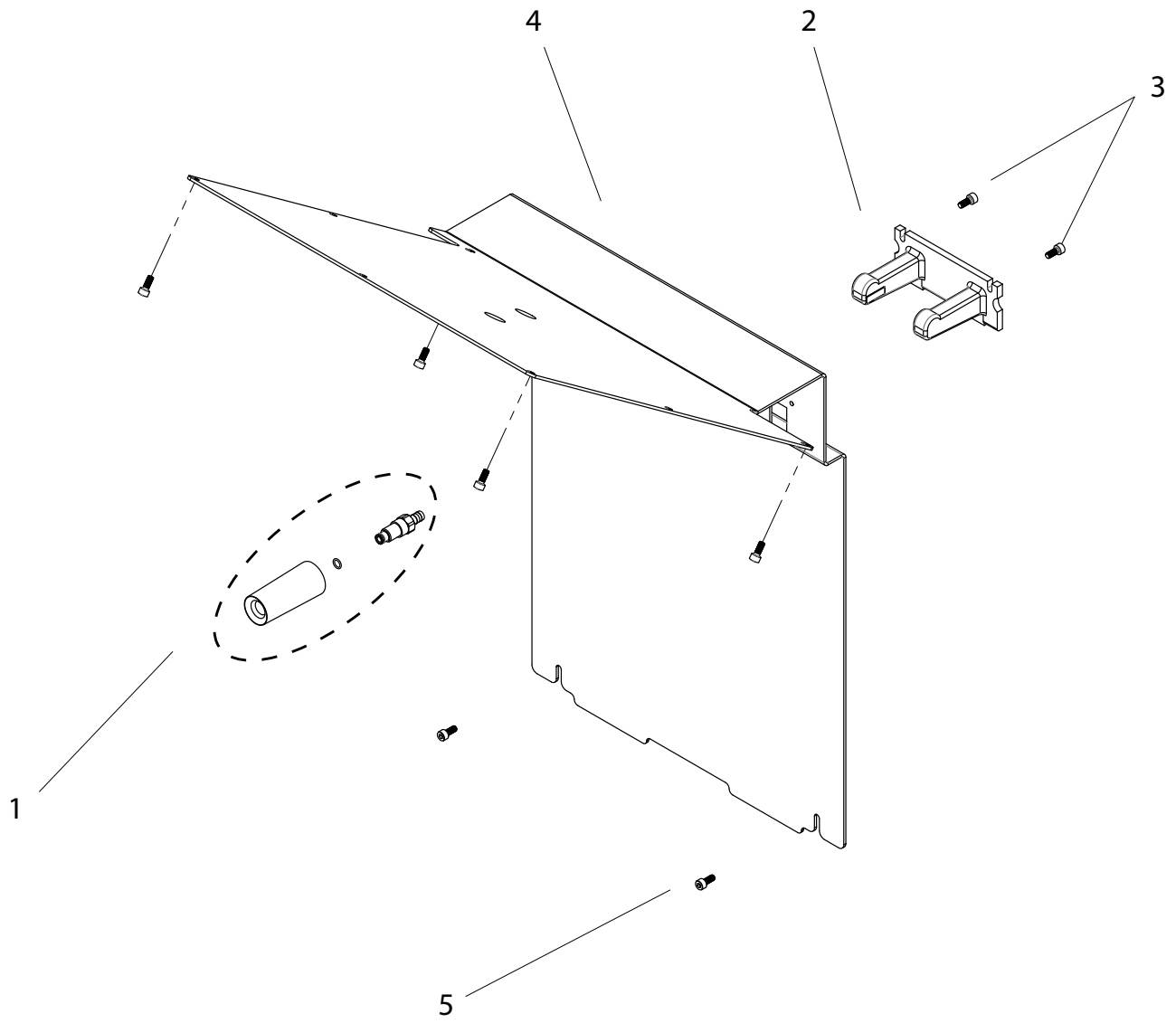
Hybrid Typhoon



110004550

Pos./Ref.	Nr. No.	Description Beschreibung Désignation Designación	Hybrid Typhoon	Hybrid Typhoon U	Hybrid Typhoon 40	Hybrid Typhoon U40	Hybrid Typhoon 60Hz	Hybrid Typhoon U60Hz
1	110004543	Inlet and outlet hose complete	2	2	2	2	2	2
1	110004661	Inlet and outlet hose SS complete	2	2	2	2	2	2
2	110000963	Flow switch	1	1	1	1	1	1
3	110004561	Sensor	1	1	1	1	1	1
4	110004530	Non return valve block	1	1	1	1	1	1
5	110004559 (110004529)	O-ring kit						
6	110004559 (110004557)	O-ring kit						
7	110004789	Piston with spring	1	1	1	1	1	1
8	1602945	Quick coupling 3/4" w/gasket	1	1	1	1	1	1

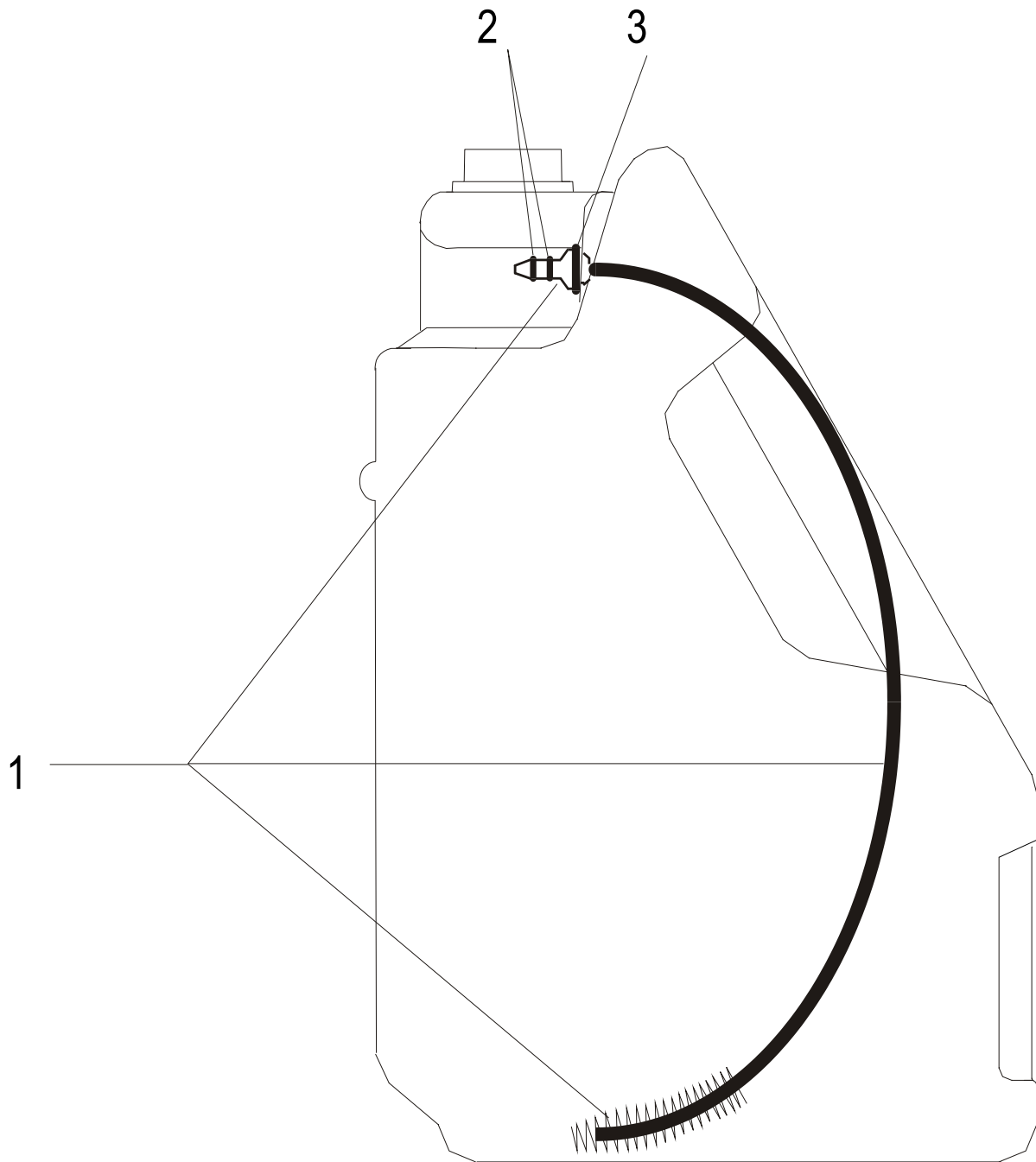
Hybrid Typhoon



110004554

Pos./Ref.	Nr. No.	Description Beschreibung Désignation Designación	Hybrid Typhoon	Hybrid Typhoon U	Hybrid Typhoon 40	Hybrid Typhoon U40	Hybrid Typhoon 60Hz	Hybrid Typhoon U60Hz
1	110004801	Fitting kit	1	1	1	1	1	1
2	0607433	Bracket for can		2		2		2
3	110004558 (156208)	Scew kit						
4	110004495	Cover plate	1	1	1	1	1	1
5	110004558 (156208)	Screw kit						

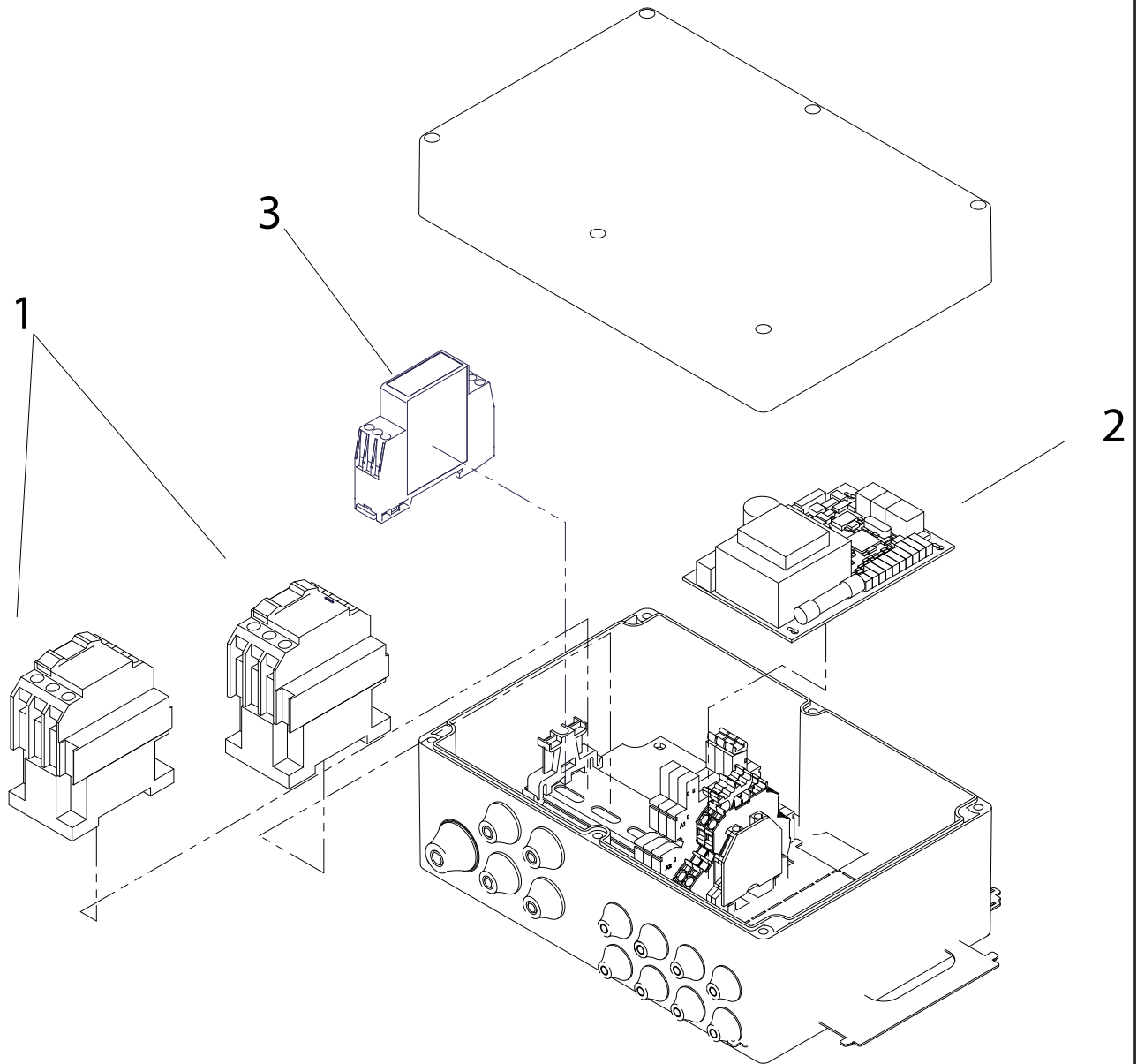
Hybrid Typhoon



17198_30

Pos./Ref.	Nr. No.	Description Beschreibung Désignation Designación	Hybrid Typhoon	Hybrid Typhoon U	Hybrid Typhoon 40	Hybrid Typhoon U40	Hybrid Typhoon 60Hz	Hybrid Typhoon U60Hz
1	0607492	Replacement /change out kit for can		1		1		
2	110004559 (0635012)	O-Ring kit for suction nipple						
3	110004559 (0635013)	O-Ring kit for suction nipple						
4	0607536	Can, Right, complete		1		1		1
5	0607537	Can, Left, complete		1		1		1

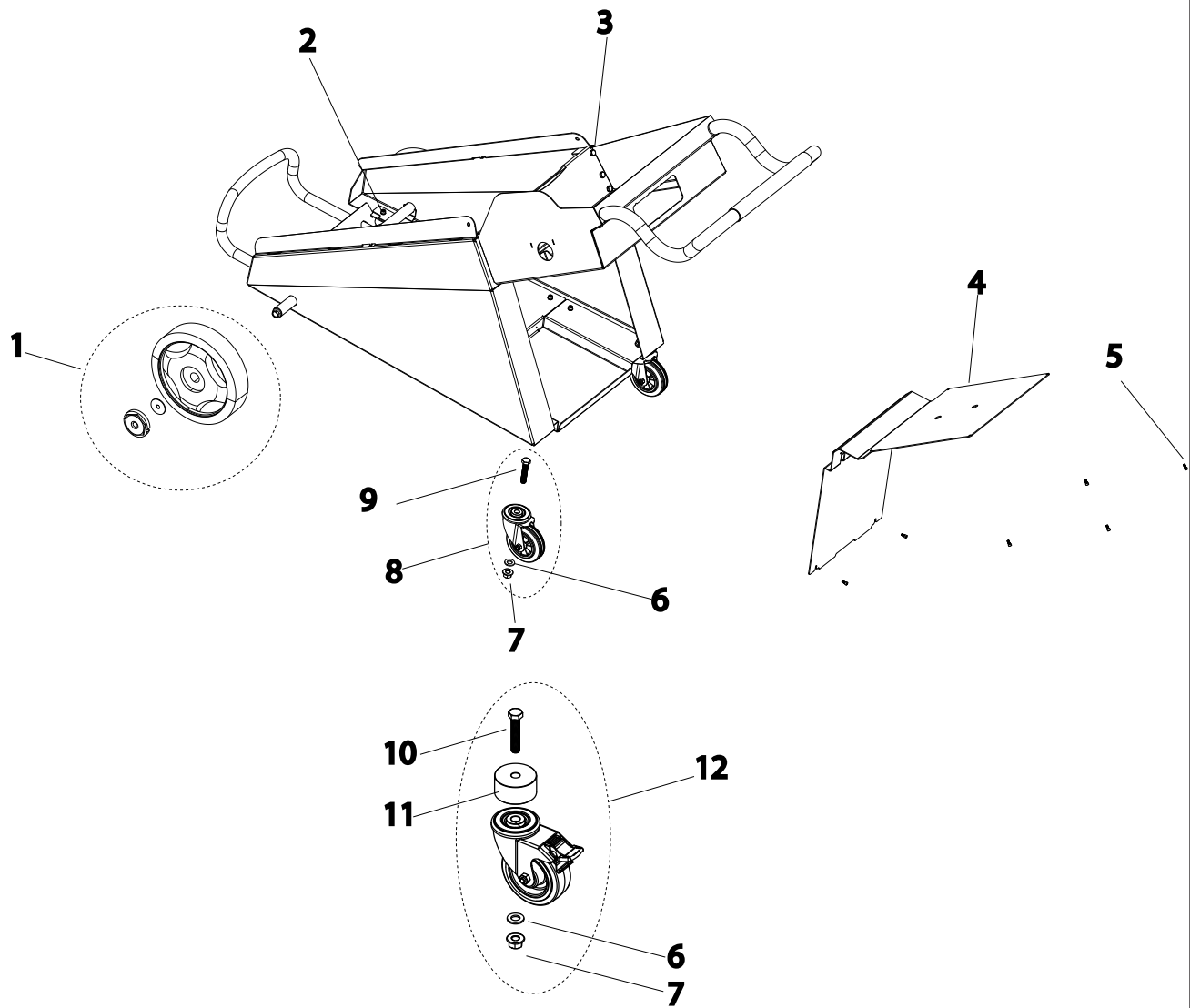
Hybrid Typhoon



110004551

Pos./Ref.	Nr. No.	Description Beschreibung Désignation Designación	Hybrid Typhoon	Hybrid Typhoon U	Hybrid Typhoon 40	Hybrid Typhoon U40	Hybrid Typhoon 60Hz	Hybrid Typhoon U60Hz
1	110004602	Contactora	2	2	1	1		
2	110004710	Printed circuit Board	1	1	1	1		
3	0628087	Monitoring relay			1	1		
	110004541	Controller complete	1	1				
	110004542	Controller complete			1	1		

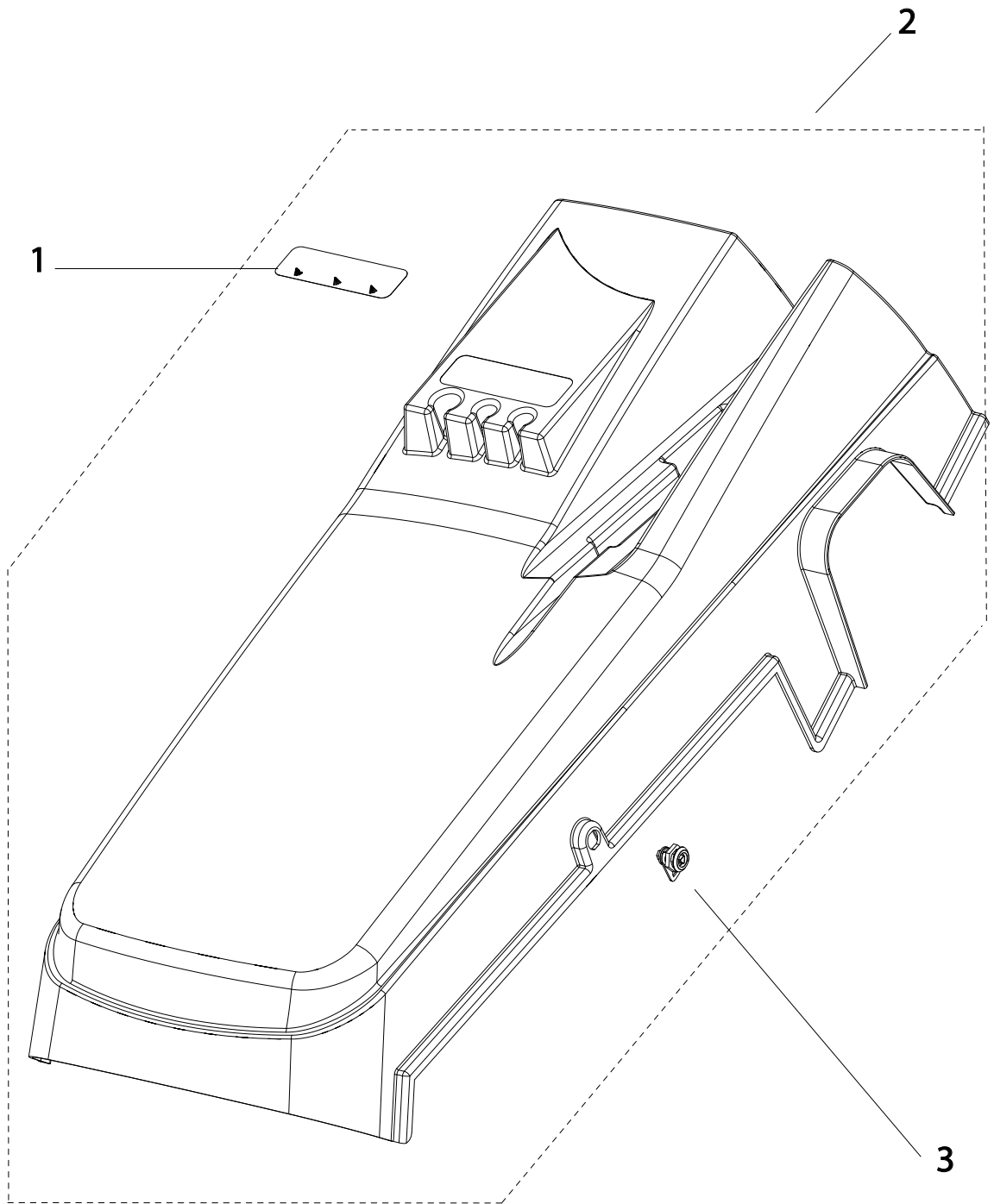
Hybrid Typhoon



110004548

Pos./Ref.	Nr. No.	Description Beschreibung Désignation Designación	Hybrid Typhoon	Hybrid Typhoon U	Hybrid Typhoon 40	Hybrid Typhoon U40	Hybrid Typhoon 60Hz	Hybrid Typhoon U60Hz
1	0607832	Wheel complete	2	2	2	2	2	2
2	110004558 (0602084)	Screw kit						
3	110004558 (156503)	Screw kit						
4	110004495	Cover plate	1	1	1	1	1	1
5	110004558 (156208)	Screw kit						
6	110004558 (156702)	Screw kit						
7	110004558 (321700)	Screw kit						
8	0607833	Wheel complete	2	2	2	2	2	2
9	110004558 (156704)	Screw kit						
10	110004558 (156709)	Screw kit						
11	110006262	Distance piece			2	2		
12	110006264	Wheel w. brake complete			2	2		

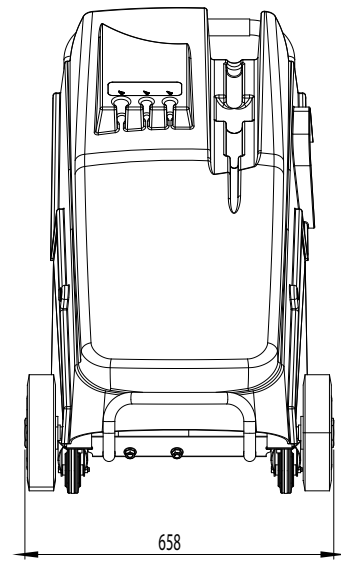
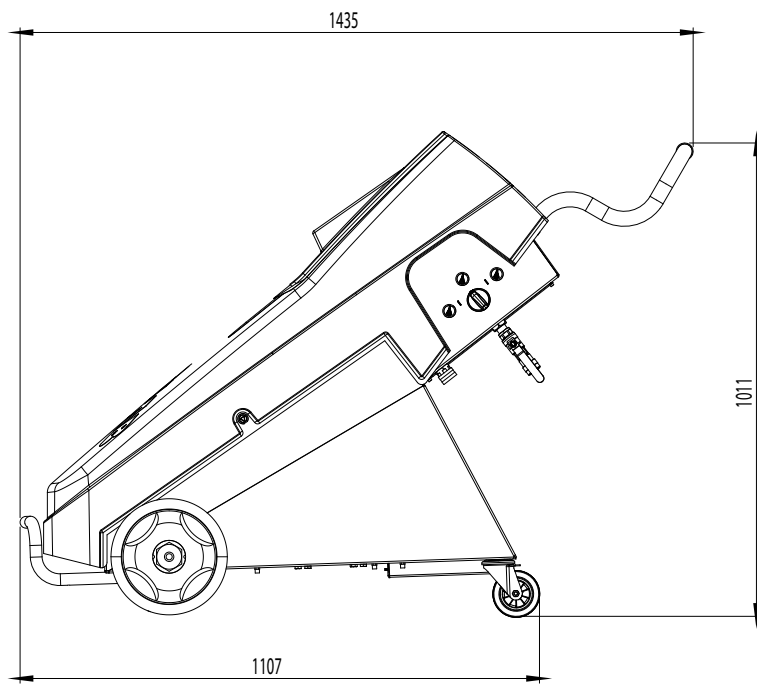
Hybrid Typhoon



11004552

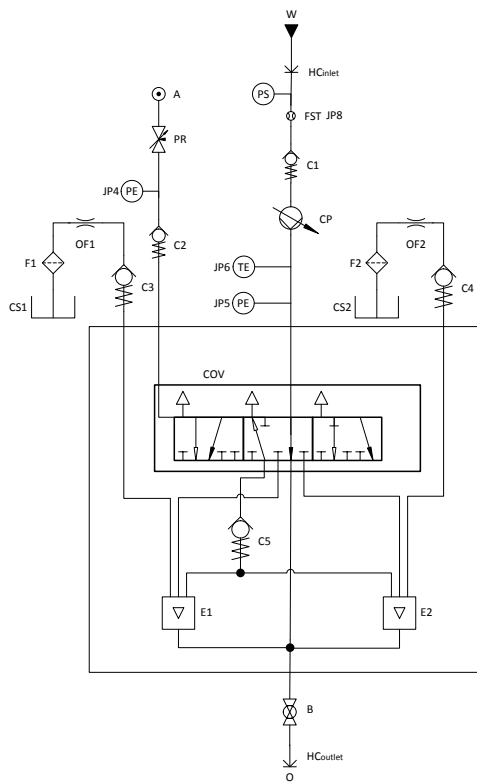
Pos./Ref.	Nr. No.	Description Beschreibung Désignation Designación	Hybrid Typhoon	Hybrid Typhoon U	Hybrid Typhoon 40	Hybrid Typhoon U40	Hybrid Typhoon 60Hz	Hybrid Typhoon U60Hz
1	0611133	Label	1	1	1	1	1	1
2	110004503	Cover complete	1	1	1	1	1	1
3	110004504	Lock for cover	2	2	2	2	2	2

Installation



110004599

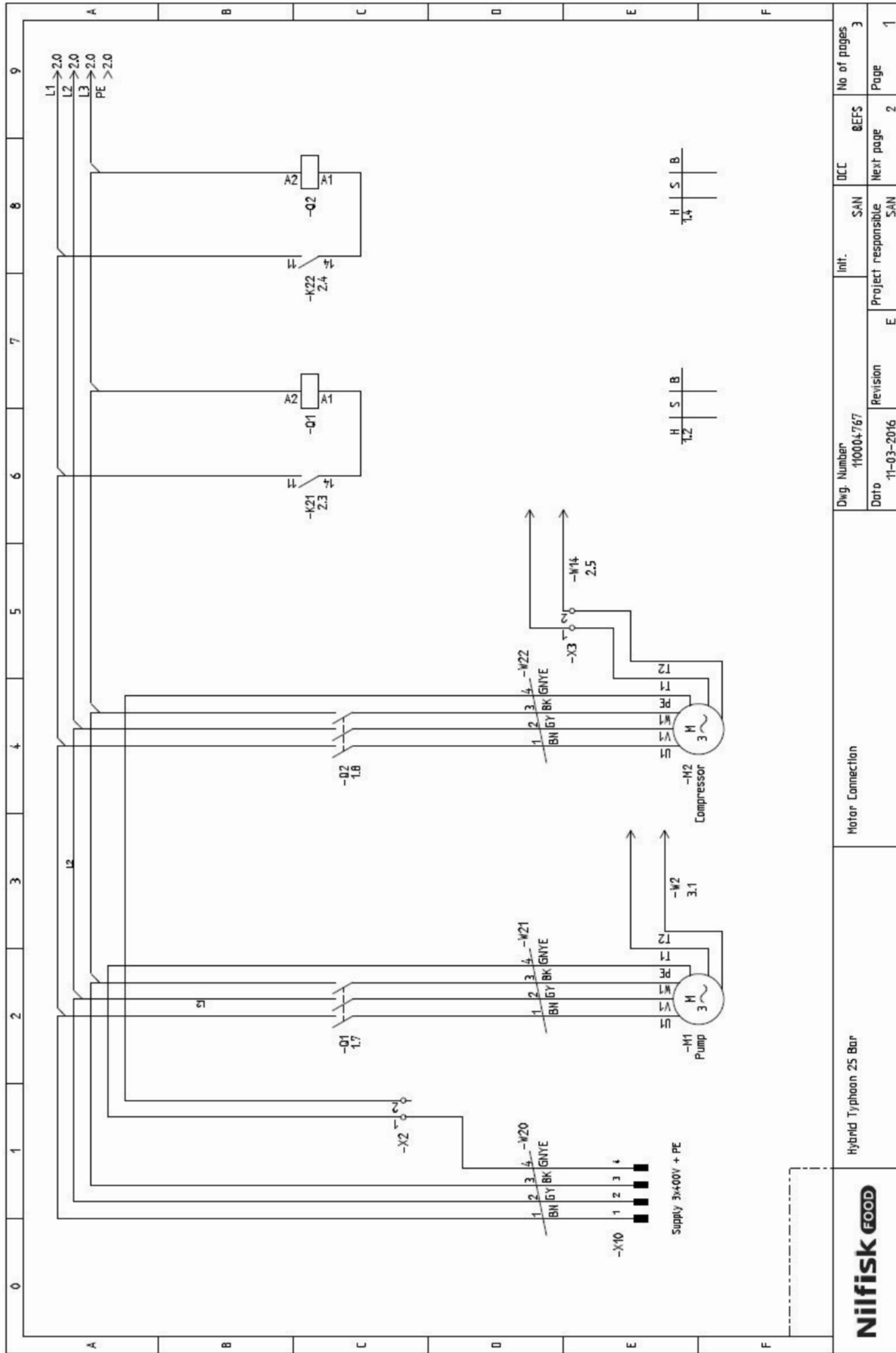
Operating diagram



Number/Mark	Description
A	Air supply
B	Ball valve
C	Check valve
COV	Change over valve
CP	Centrifugal pump
CR	Chemical regulator
CS	Chemical supply
E	Ejector
F	Filter
FST	Flowsensor and -trigger
HC	Hose coupling
JP	Controller board connection
O	Outlet
OF	Orifice
PE	Pressure sensor (analog)
PS	Pressure sensor (digital)
PR	Pressure regulator (manual)
TE	Temperature sensor (analog)

110004636

EI diagram



Nilfisk FOOD

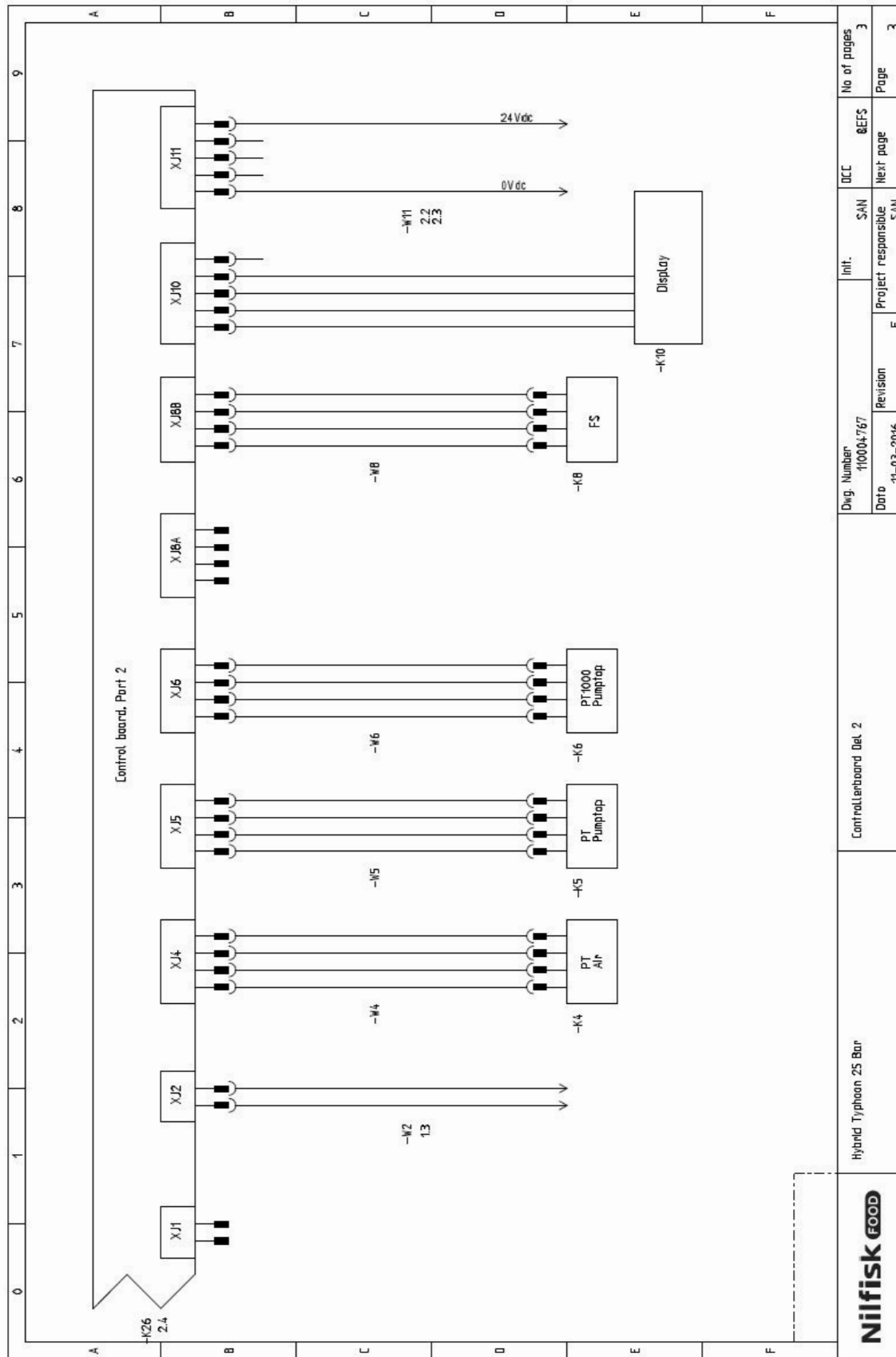
Hybrid Typhoon 25 Bar

Motor Connection

Dwg. Number	110004767	Int.	DCC	No. of pages
Date	11-03-2016	Revision	SAN	BEFS
		Project responsible	Next page	3
		SAN	2	Page
		E		1

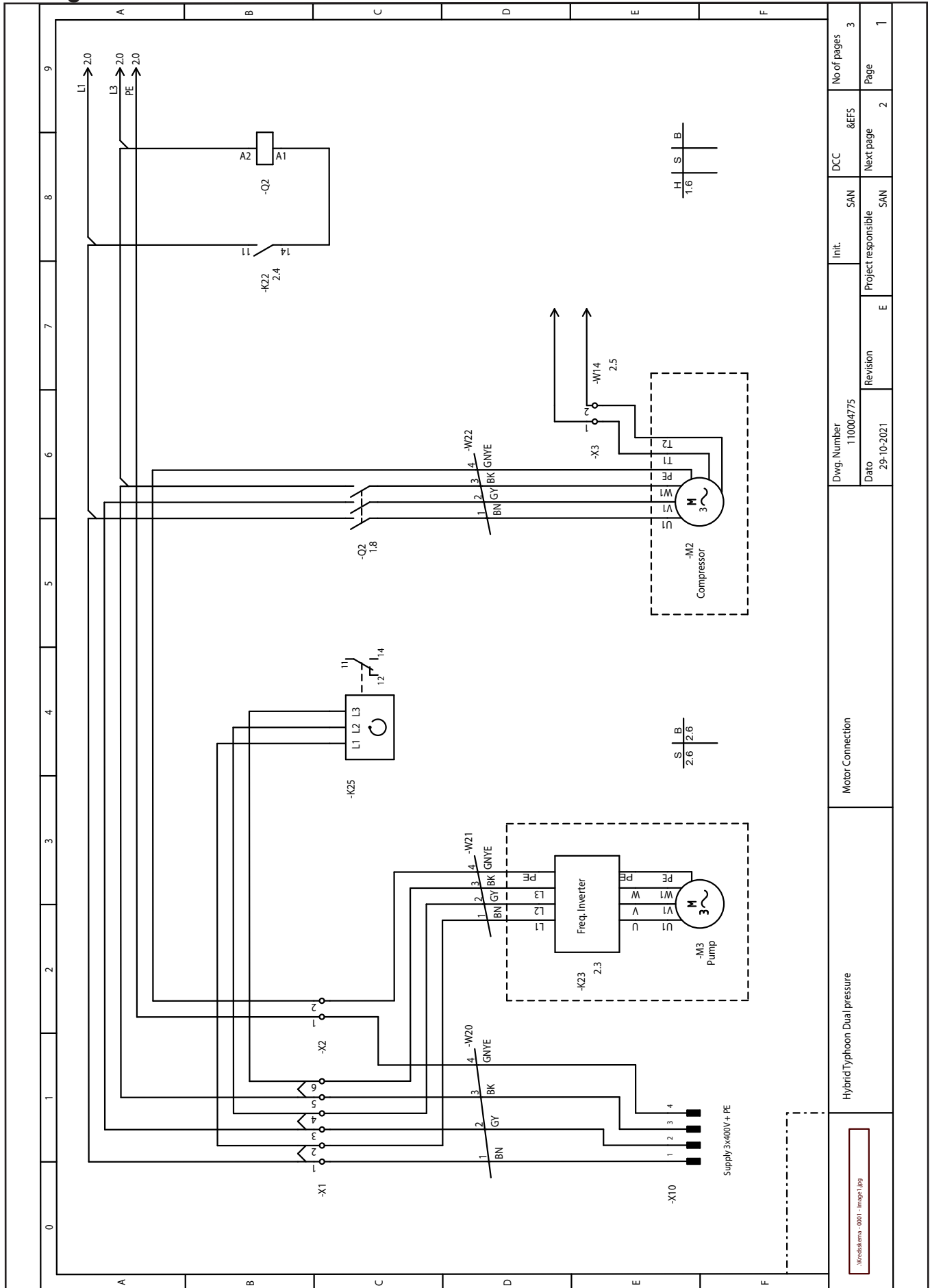
110004767E

EI diagram



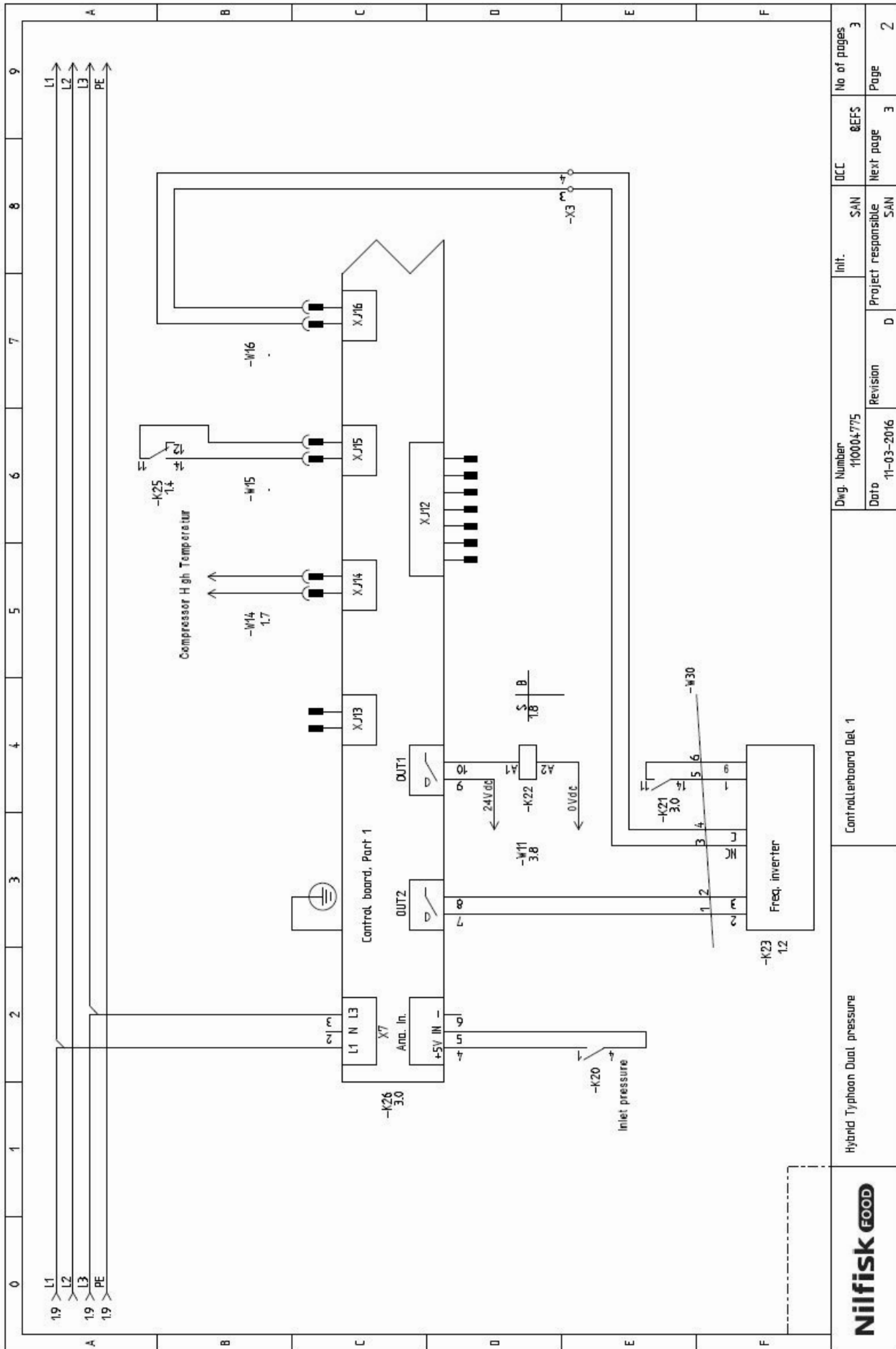
Hyland Typhoon 25 Bar		Controlboard Del 2		DCC		No of pages	
Nilfisk FOOD		Dwg. Number 110004767		Init. SAN		3	
		Date 11-03-2016		Revision E		Next page	
		Project responsible SAN		Page		3	

EI diagram



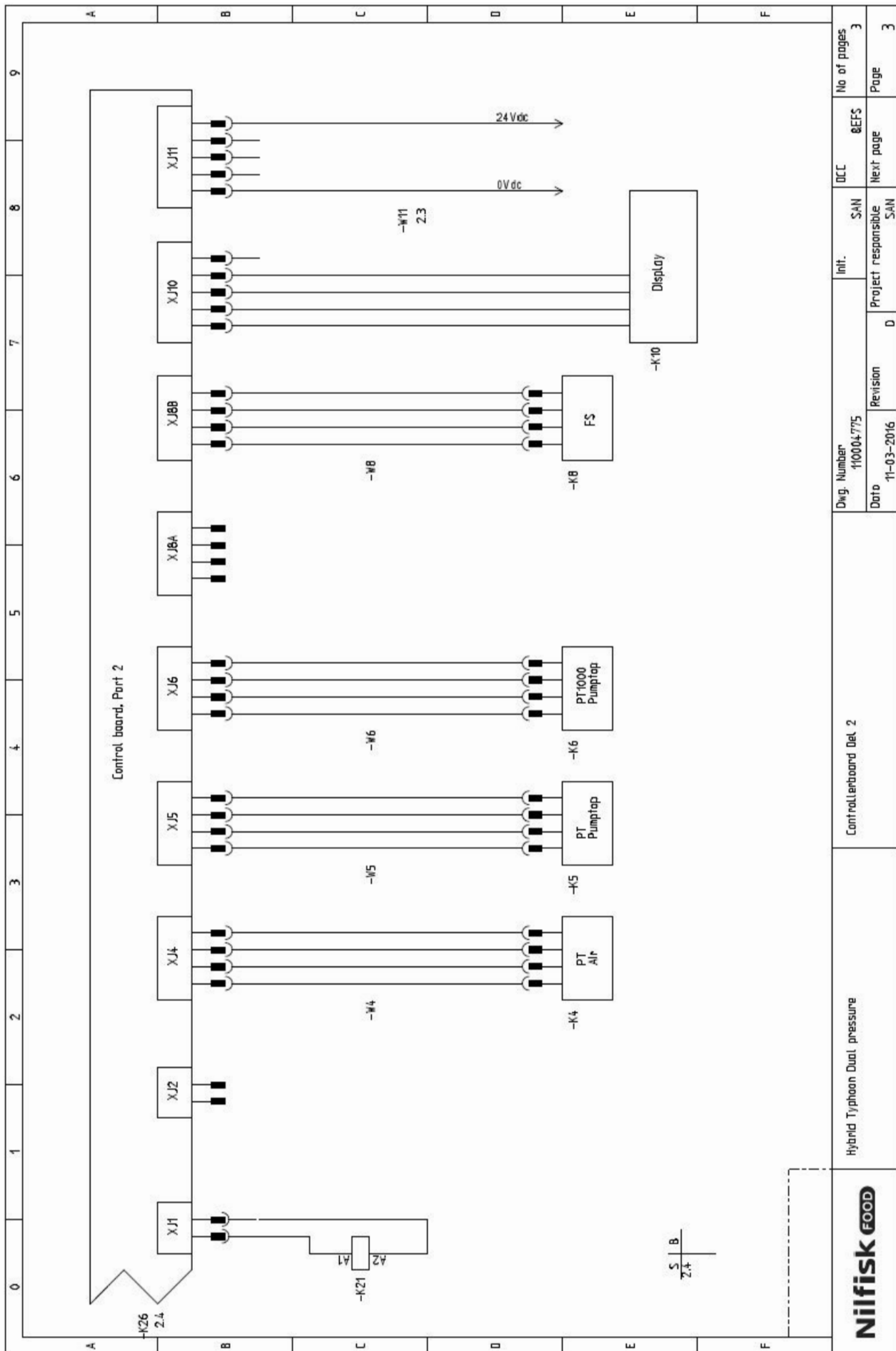
.K23.kema - 001 - Image.jpg		Hybrid Typhoon Dual pressure		Motor Connection		Dwg. Number 110004775		Init. SAN		DCC &EFS		No of pages 3	
						Date 29-10-2021		Revision E		Project responsible SAN		Next page 2	
												Page 1	

EI diagram



Nilfisk FOOD	Hybrid Typhoon Dual pressure	Controlboard Del 1		Dwg. Number	110004775	Init.	SAN	DCC	8EFS	No. of pages	3
				Date	11-03-2016	Revision	D	Next page	3	Page	2

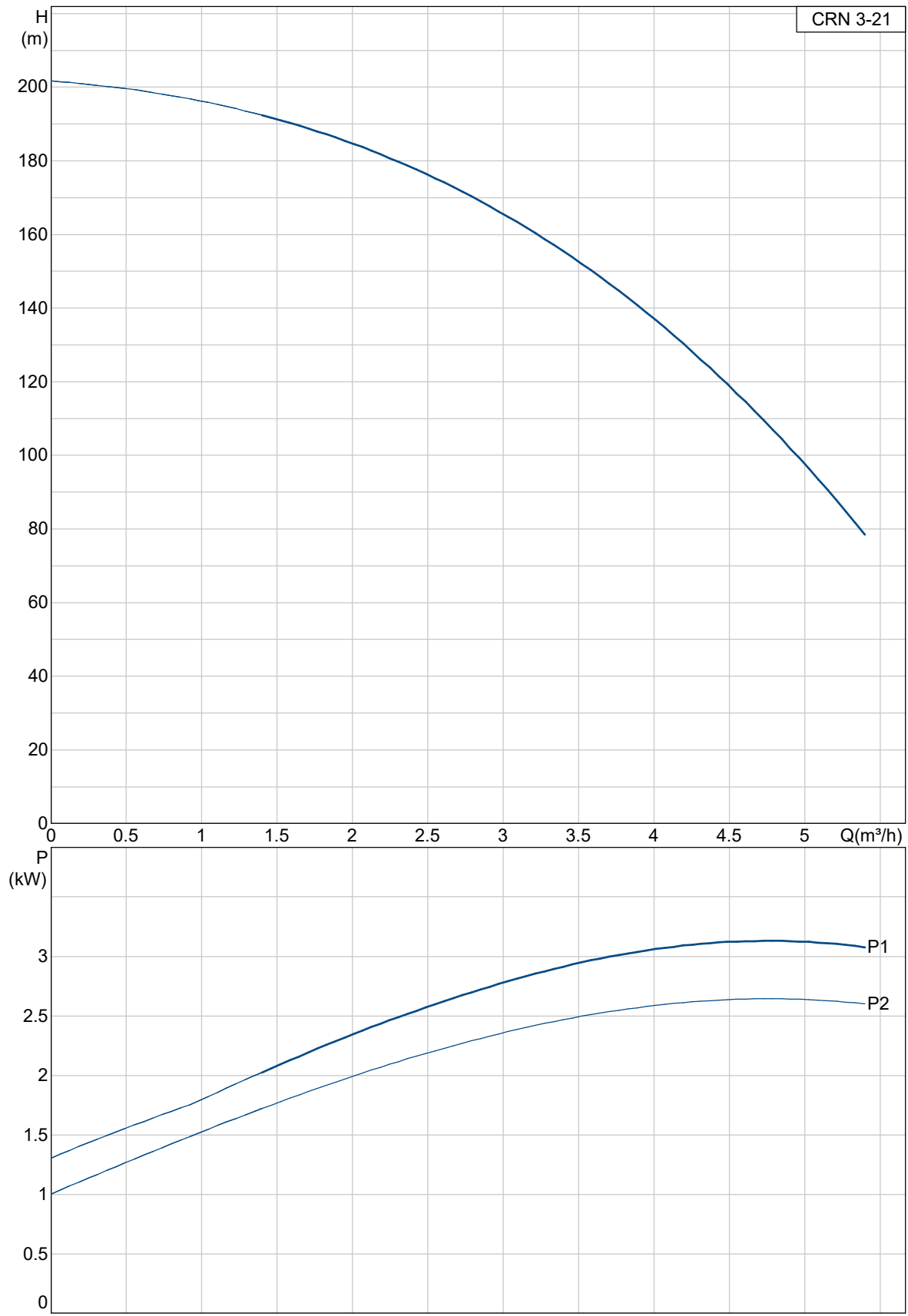
El diagram



Hybrid Typhoon Dual pressure		Control board Del. 2		Dwg. Number 110004775		Init. SAN		DCC		No of pages 3	
Nilfisk FOOD				Date 11-03-2016		Revision D		Project responsible SAN		Next page	
										Page 3	

Pump curve 25 bar 60 Hz

96518565 CRN 3-21



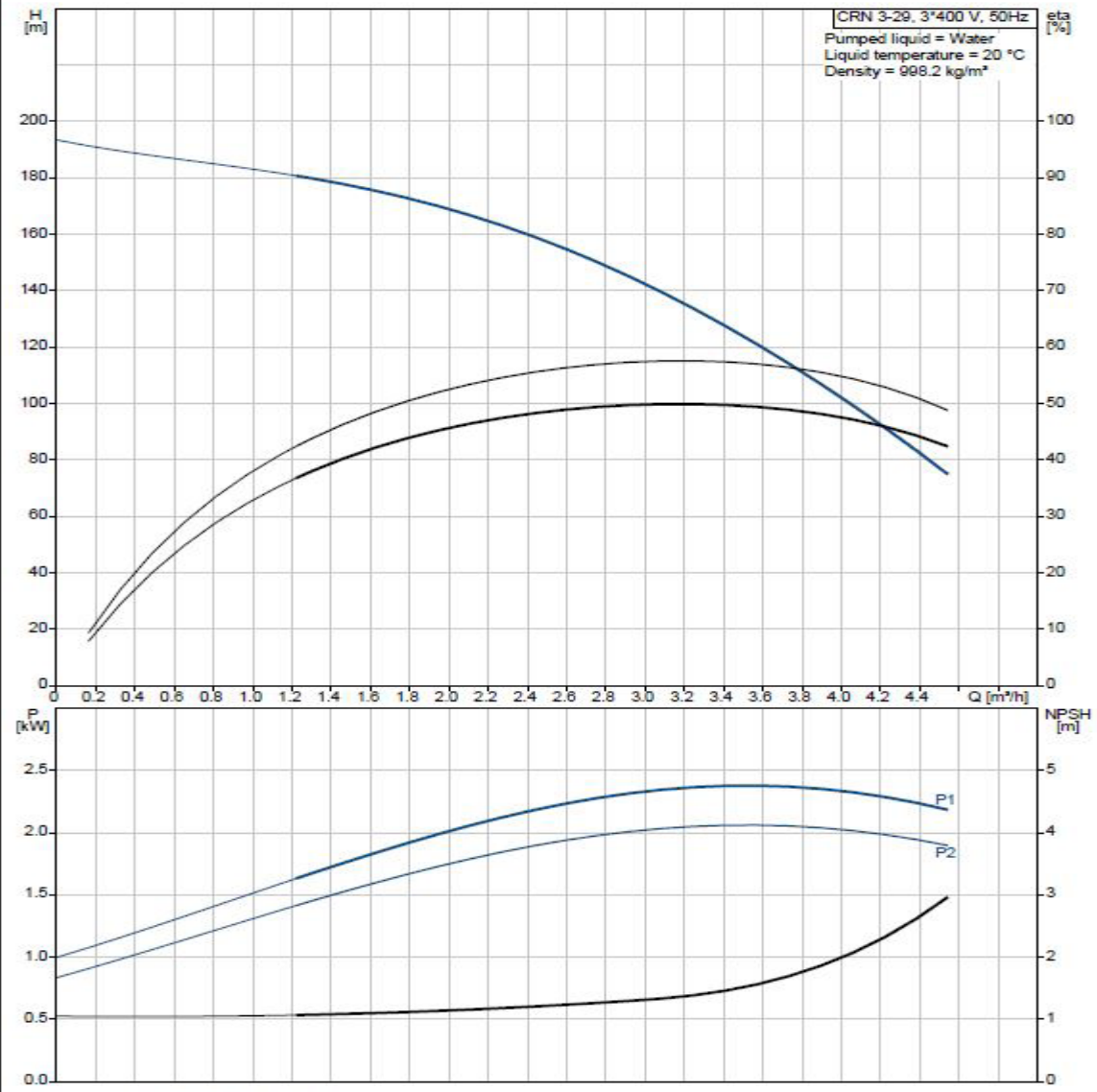
Pump curve 25 bar 50 Hz



Company name:
Created by:
Phone:

Date: 12/7/2015

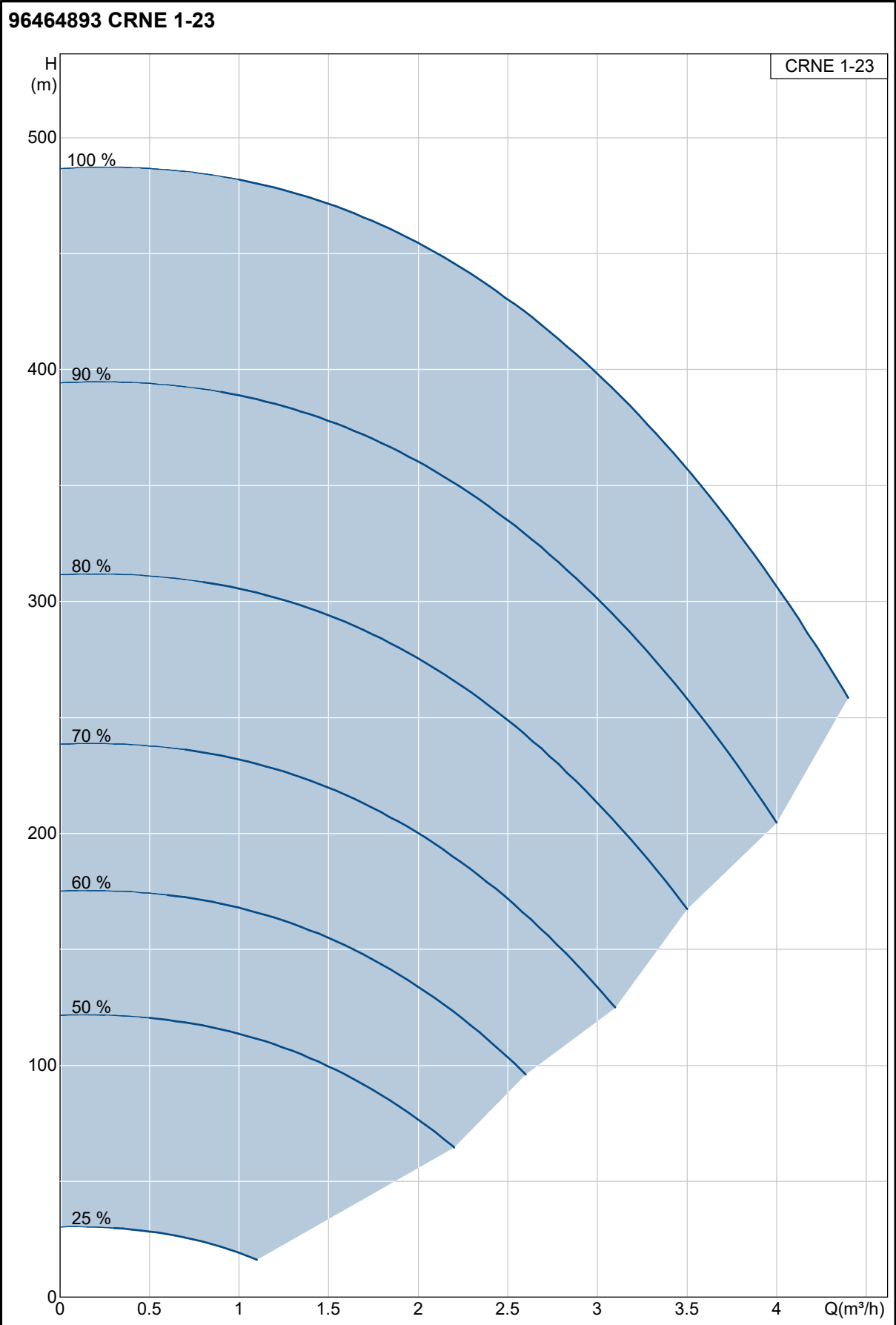
96516912 CRN 3-29 50 Hz



Printed from Grundfos Product Centre [2015.08.032]

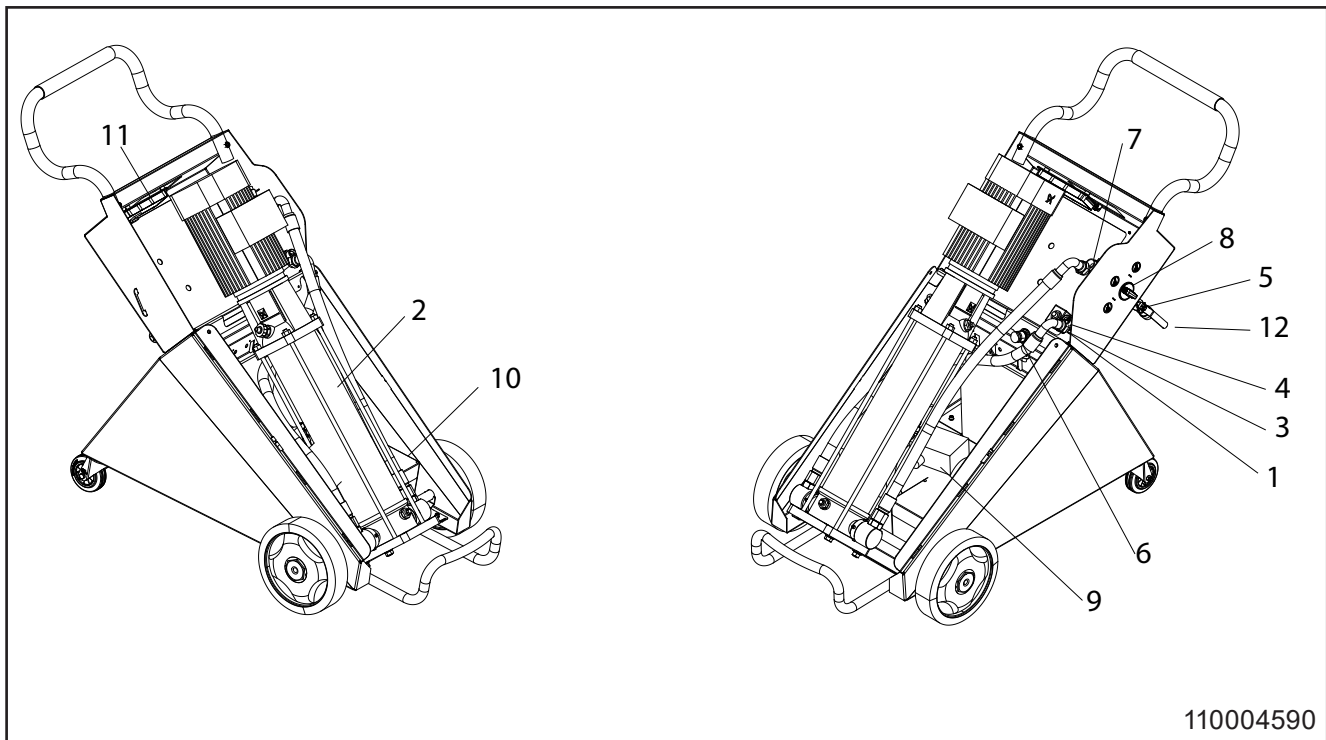
3/3

Pump curve 40 bar 50Hz



Layout Hybrid Typhoon

Layout Hybrid Typhoon



110004590

	English	German	French	Spanish
1	Water inlet	Wassereinlauf	Entrée d'eau	Entrada de agua
2	Pump	Pumpe	Pompe	Bomba
3	Flow switch	Durchflussschalter	Interrupteur de débit	Interruptor de caudal
4	Pressure sensor	Drucksensor	Capteur de pression	Sensor de presión
5	Water Outlet pipe	Wasser Auslaufrohr	Conduit sortie	Tubería de salida
6	Air regulator	Luftregler mit Manometer	Régulateur d'air avec manomètre	Regulador de aire con manómetro
7	Multi block	Multi Block	Multi Block	Multibloque
8	Operation button	Bedientaste	Bouton de commande	Botón de funcionamiento
9	Compressor	Kompressor	Compresseur?	Compresor
10	Controller	Regler	Contrôleur	Controlador
11	Display	Display	Affichage	Visor
12	Ball valve with quick coupling	Kugelventil mit Schnellkupplung	Robinet à boisseau sphérique avec raccord rapide	Válvula de bola con acoplamiento rápido

Printed in Denmark

No.: 110004486ZG 01/2023
Serial no: 168.01.000XXX

© 2015 All rights reserved

ECOLAB Engineering GmbH,
F & B Engineering Competence Centre EMEA,
Raiffeisenstraße 7,
D-83313 Siegsdorf
Telephone.: (+49) 86 62 /61 0 - Fax: (+49) 86 62 / 61 2 35
e-Mail: engineering-mailbox@ecolab.com

ECOLAB[®]