

## Nommo



Directions for use  
Gebrauchsanweisung  
Mode d'emploi  
Instrucciones de uso





## NOMMO



**GB** Declaration of Conformity

**FR** Déclaration de Conformité

**ES** Declaración de Conformidad

**GR** Δήλωση Συμμόρφωσης

**SV** Försäkran om överensstämmelse

**DK** Overensstemmelseserklæring

**RU** Декларация о соответствии

**SI** Izjava o skladnosti

**RS** Deklaracija o konformitetu

**BG** Декларация за съответствие

**SK** Prehlásenie o konformite

**EE** Vastavusdeklaratsioon

**LV** Paziņojums par atbilstību prasībām

**DE** Konformitätserklärung

**IT** Dichiarazione di Conformità

**PT** Declaração de Conformidade

**NL** Overeenkomstigheidsverklaring

**FI** Vaatimustenmukaisuusvakuutus

**PL** Deklaracja zgodności

**HU** Megfelelőségi nyilatkozat

**HR** Izjava o usklađenosti

**RO** Declarație de Conformitate

**CZ** Prohlášení o shodě

**TR** Uygunluk Bildirgesi

**LT** Atitikties deklaracija

**UA** Свідчення про відповідність вимогам

Nilfisk FOOD  
Blytækkervej 2, DK-9000 Aalborg  
Danmark

110005727-CE-Erklæring Nommo

## **GB** Declaration of Conformity

We Nilfisk FOOD, declare under our sole responsibility that the products NOMMO, which this declaration relates, are in conformity with these Council directives on the approximation of the laws of the EC member states:

Machinery Directive (2006/42/EC).  
- EN 12100-1  
- EN 12100-2

## **FR** Déclaration de Conformité

Nous, Nilfisk FOOD, déclarons sous notre seule responsabilité, que les produits NOMMO, auxquels se réfère cette déclaration, sont conformes aux Directives du Conseil concernant le rapprochement des législations des Etats membres CE relatives aux normes énoncées cidessous :

Directive Machines (2006/42/EC).  
- EN 12100-1  
- EN 12100-2

## **ES** Declaración de Conformidad

Nosotros, Nilfisk FOOD, declaramos bajo nuestra entera responsabilidad que los productos NOMMO a los cuales se refiere esta declaración, están conformes con las Directivas del Consejo en la aproximación de las leyes de las Estados Miembros del EM:

Directiva de Maquinaria (2006/42/EC).  
- EN 12100-1  
- EN 12100-2

## **GR** Δήλωση Συμμόρφωσης

Εμείς, η Nilfisk FOOD, δηλώνουμε με αποκλειστικά δική μας ευθύνη ότι τα προϊόντα NOMMO στα οποία αναφέρεται η παρούσα δήλωση, συμμορφώνονται με τις εξής Οδηγίες του Συμβουλίου περί προσαρτώσης των νομοθεσιών των κρατών μελών της ΕΕ:

Οδηγία για μηχανήματα (2006/42/EC).  
- EN 12100-1  
- EN 12100-2

## **SV** Försäkran om överensstämmelse

Vi, Nilfisk FOOD, försäkrar under ansvar att produkterna NOMMO, som omfattas av denna försäkran, är i överensstämmelse med rådets direktiv om inbördes närmande till EU-medlemsstaternas lagstiftning, avseende:

Maskindirektivet (2006/42/EG).  
- EN 12100-1  
- EN 12100-2

## **DK** Overensstemmelseserklæring

Vi, Nilfisk FOOD, erklærer under ansvar at produkterne NOMMO, som denne erklæring omhandler, er i overensstemmelse med disse af Rådets direktiver om indbyrdes tilnærmelse til EF-medlemsstaternes lovgivning:

Maskindirektivet (2006/42/EF).  
- EN 12100-1  
- EN 12100-2

## **RU** Декларация о соответствии

Мы, компания Nilfisk FOOD, со всей ответственностью заявляем, что изделия NOMMO к которым относится настоящая декларация, соответствуют следующим Директивам Совета Евросоюза об унификации законодательных предписаний стран-членов ЕС:

Механические устройства (2006/42/ЕС).  
- EN 12100-1  
- EN 12100-2

## **DE** Konformitätserklärung

Wir, Nilfisk FOOD, erklären in alleiniger Verantwortung, dass die Produkte NOMMO, auf die sich diese Erklärung bezieht, mit den folgenden Richtlinien des Rates zur Angleichung der Rechtsvorschriften der EU-Mitgliedsstaaten übereinstimmen:

Maschinenrichtlinie (2006/42/EC).  
- EN 12100-1  
- EN 12100-2

## **IT** Dichiarazione di Conformità

Nilfisk FOOD dichiara sotto la sua esclusiva responsabilità che i prodotti NOMMO, ai quali si riferisce questa dichiarazione, sono conformi alle seguenti direttive del Consiglio riguardanti il ravvicinamento delle legislazioni degli Stati membri CE:

Direttiva Macchine (2006/42/EC).  
- EN 12100-1  
- EN 12100-2

## **PT** Declaração de Conformidade

A Nilfisk FOOD declara sob sua única responsabilidade que os produtos NOMMO, aos quais diz respeito esta declaração, estão em conformidade com as seguintes Directivas do Conselho sobre a aproximação das legislações dos Estados Membros da CE:

Directiva Máquinas (2006/42/EC).  
- EN 12100-1  
- EN 12100-2

## **NL** Overeenkomstigheidsverklaring

Wij, Nilfisk FOOD, verklaren geheel onder eigen verantwoordelijkheid dat de producten NOMMO, waarop deze verklaring betrekking heeft, in overeenstemming zijn met de Richtlijnen van de Raad in zake de onderlinge aanpassing van de wetgeving van de EG Lidstaten betreffende:

Machine Richtlijn (2006/42/EC).  
- EN 12100-1  
- EN 12100-2

## **FI** Vaatimustenmukaisuusvakuutus

Me, Nilfisk FOOD, vakuutamme omalla vastuullamme, että tuotteet NOMMO, joita tämä vakuutus koskee, ovat EY:n jäsenvaltioiden lainsäädännön yhdenmukaistamiseen tähtäävien Euroopan neuvoston direktiivien vaatimusten mukaisia seuraavasti:

Konedirektiivi (2006/42/EY).  
- EN 12100-1  
- EN 12100-2

## **PL** Deklaracja zgodności

My, Nilfisk FOOD, oświadczamy z pełną odpowiedzialnością, że nasze wyroby NOMMO, których deklaracja niniejsza dotyczy, są zgodne z następującymi wytycznymi Rady d/s ujednolicenia przepisów prawnych krajów członkowskich WE:

Dyrektywa Maszynowa (2006/42/WE).  
- EN 12100-1  
- EN 12100-2

## **HU** Megfelelőségi nyilatkozat

Mi, a Nilfisk FOOD, egyedüli felelősséggel kijelentjük, hogy a NOMMO, termékek, amelyekre jelen nyilatkozás vonatkozik, megfelelnek az Európai Unió tagállamainak jogi irányelveit összehangoló tanács alábbi előírásainak:

Gépek (2006/42/EK).  
- EN 12100-1  
- EN 12100-2



### Izjava o skladnosti

V Nilfisk FOODu s polno odgovornostjo izjavljamo, da so naši izdelki NOMMO na katere se ta izjava nanaša, v skladu z naslednjimi direktivami Sveta o približevanju zakonodaje za izenačevanje pravnih predpisov držav članic ES:

- Direktiva o strojih (2006/42/ES).
- EN 12100-1
  - EN 12100-2.



### Deklaracija o konformitetu

Mi, Nilfisk FOOD, izjavljamo pod vlastitom odgovornostjo da je proizvod NOMMO na koji se ova izjava odnosi, u skladu sa direktivama, Saveta za uskladjivanje zakona država članica EU.

- Direktiva za mašine (2006/42/EC).
- EN 12100-1
  - EN 12100-2.



### Декларация за съответствие

Ние, фирма Nilfisk FOOD, заявяваме с пълна отговорност, че продуктите NOMMO, за които се отнася настоящата декларация, отговарят на следните указания на Съвета за уеднавяване на правните разпоредби на държавите членки на ЕС:

- Директива за машините (2006/42/EC).
- EN 12100-1
  - EN 12100-2.



### Prehlásenie o konformite

My firma Nilfisk FOOD prehlasujeme na svoju plnú zodpovednosť, že výrobky NOMMO, na ktoré sa toto prehlásenie vzťahuje, sú v súlade s ustanovením smernice Rady pre zblíženie právnych predpisov členských štátov Európskeho spoločenstva v oblastiach:

- Smernica pre strojové zariadenie (2006/42/EC).
- EN 12100-1
  - EN 12100-2.



### Vastavusdeklaratsioon

Meie, Nilfisk FOOD, deklareerime enda ainuvastutusele, et tooted NOMMO mille kohta käesolev juhend käib, on vastavuses EU Nõukogu direktiividega EMÜ liikmesriikide seaduste ühitamise kohta, mis käsitlevad:

- Masinate ohutus (2006/42/EC).
- EN 12100-1
  - EN 12100-2.



### Paziņojums par atbilstību prasībām

Sabiedrība NILFISK FOOD ar pilnu atbildību dara zināmu, ka produkti NOMMO, uz kuriem attiecas šīs paziņojums, atbilst šādām Padomes direktīvām par tuvināšanos EK dalībvalstu likumdošanas normām:

- Masīnbūves direktīva (2006/42/EK).
- EN 12100-1
  - EN 12100-2.



### Izjava o usklađenosti

Mi, Nilfisk FOOD, izjavljamo pod vlastitom odgovornostju da je proizvod NOMMO, na koji se ova izjava odnosi, u skladu s direktivama ovog Vijeća o uskladjivanju zakona država članica EU:

- Direktiva za strojeve (2006/42/EZ).
- EN 12100-1
  - EN 12100-2.



### Declarație de Conformitate

Noi, Nilfisk FOOD, declarăm pe propria răspundere că produsele NOMMO, la care se referă această declarație, sunt în conformitate cu aceste Directive de Consiliu asupra armonizării legilor Statelor Membre CE:

- Directiva Utilaje (2006/42/CE).
- EN 12100-1
  - EN 12100-2.



### Prohlášení o shodě

My firma Nilfisk FOOD prohlašujeme na svou plnou odpovědnost, že výrobky NOMMO, na něž se toto prohlášení vztahuje, jsou v souladu s ustanoveními směrnice Rady pro sblížení právních předpisů členských států Evropského společenství v oblastech:

- Směrnice pro strojní zařízení (2006/42/ES).
- EN 12100-1
  - EN 12100-2.



### Uygunluk Bildirgesi

Nilfisk FOOD olarak bu beyannameye konu olan NOMMO , ürünlerinin AB Üyesi Ülkelerin kanunlarını birbirine yaklaştırmaya üzerine Konsey Direktifleriyle uyumlu olduğunun yalnızca bizim sorumluluğumuz altında olduğuna beyan ederiz:

- Makineleer Yönetmeliği (2006/42/EC).
- EN 12100-1
  - EN 12100-2.



### Atitikties deklaracija

Mes, Nilfisk FOOD, su visa atsakomybe pareiškiame, kad gaminiai NOMMO, kuriems skirta ši deklaracija, atitinka šias Tarybos Direktyvas dėl Europos Ekonominės Bendrijos šalių narių įstatymų suderinimo:

- Mašinų direktyva (2006/42/EB).
- EN 12100-1
  - EN 12100-2.



### Свідчення про відповідність вимогам

Компанія Nilfisk FOOD заявляє про свою виключну відповідальність за те, що продукти NOMMO, на які поширюється дана декларація, відповідають таким рекомендаціям Ради з уніфікації правових норм країн членів ЕС:

- Механічні прилади (2006/42/EC).
- EN 12100-1
  - EN 12100-2.

Aalborg d. 01-11-2017

Signature:

Signature:









110005727- Flemming Asp  
R & D Manager

Flemming Asp  
Document responsible



<b>1. Content</b>	
<b>2. Symbols used in this document</b>	8
<b>3. General information</b>	9
3.1. Identification Plate	10
3.2. Supplier	10
3.3. Specifications	11
<b>4. Overview and Use</b>	12
<b>5. System Safety</b>	12
5.1. Closing valve for water supply	12
5.2. Rest Risk	13
<b>6. Installation</b>	13
6.1. Before Installation	13
6.2. Noise	13
6.3. Directions for Mounting	13
6.4. Transportation	14
6.5. Vibrations	14
6.6. Water Connection	14
6.7. Supply of Detergent	15
6.8. Hose Connection	15
<b>7. Operation procedures</b>	16
7.1. Initial start up	16
7.1.1. Limiting nozzle	16
<b>8. Operation</b>	16
8.1. Start/Stop (change, rinse, foam, des)	16
<b>9. Maintenance, Trouble shooting, Service</b>	17
9.1. Preventive maintenance	17
9.2. Rinsing the chemical supply/injector system	17
9.3. Descaling	17
9.4. Coupling	17
9.5. Internal cleaning of the unit	17
9.6. Trouble Shooting and Remedy	18
<b>10. End of Use</b>	19
10.1. Dismounting	19
10.2. Disposal	19
10.3. Service addresses and Warranty	20
<b>Recommended spare parts</b>	81

## 2. Symbols used in this document

	Read before Use
	Wear glasses when using the unit.
	Wear gloves and suitable clothing when using the unit.
	<p><b>Note:</b> A potentially damaging situation. Possible consequences: The product or something in its vicinity could be damaged. Prevention.</p>
	<p><b>Caution:</b> A dangerous situation. Possible consequences: light or minor injuries. Can also be used in warn against damage to property or other goods prevention.</p>
	<p><b>Warning:</b> A Potentially dangerous situation. Possible consequences: Death or severe injury Prevention.</p>
	<p><b>Danger:</b> A dangerous situation. Possible consequences: Death or severe injury Prevention.</p>
	<p><b>Danger:</b> Warning! Sharp edges – watch your fingers.</p>



### 3. General information

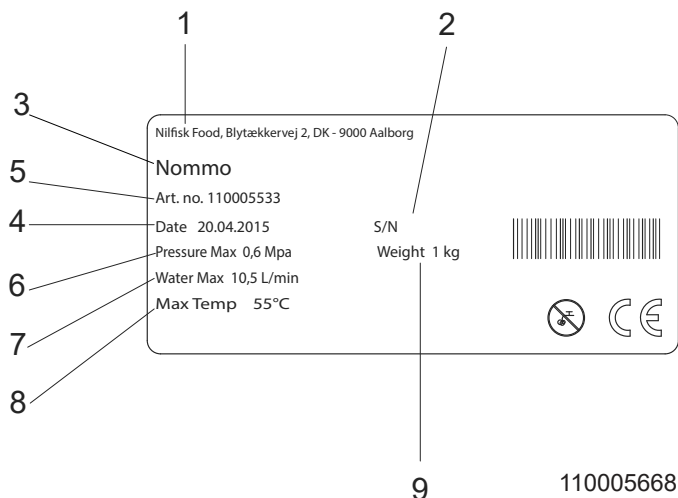
Nilfisk FOOD congratulates you on your new low-pressure cleaning equipment.

The equipment provides the latest standard of technology in low pressure cleaning equipment in your factory.

The equipment can be used for washing, rinsing and application of disinfectants.

It is important that your operational staff read these directions for use prior to installation, start up and use of the equipment.

### 3.1. Identification Plate



1. Producer
2. Serial No.
3. Product name
4. Date of production
5. Article No.
6. Maximum pressure
7. Maximum water consumption
8. Maximum temperature
9. Weight

### 3.2. Supplier

Nilfisk FOOD  
 Blytækkervej 2  
 DK-9000 Aalborg, Denmark  
 Tel.: +45 7218 2000  
 CVR no. 6257 2213  
[www.nilfiskfood.com](http://www.nilfiskfood.com)

### 3.3. Specifications

Technical Data	
Water	Units
Connection type inlet	ISO 228/1-G 1/2
Connection type outlet	3/4" GHT (ASME B1.20.7 3/4"-11,5NH)
Water consumption - foaming	5,2 l/min @3 bar
Water consumption - spraying	5,2 l/min @3 bar
Water consumption - rinsing	10,5 l/min @3 bar
Min. inlet pressure	2 bar @ 5,1 l/min
Max. inlet pressure	6 bar
Max. water temperature	55°C
<b>Nozzles (recommended)</b>	
Rinsing nozzle	25/50 lance 23cm
Foam nozzle	Topjet
Spray nozzle	25/50 lance 23 cm
<b>General</b>	
Number of products	2
Max. hose length (recommended)	15 m
Sound level ISO 11202	Below 70DB
Weight	1 kg
Dimensions HxWxD	173x205x119 mm

## 4. Overview and Use

The Nommo unit is a complete tapwater cleaning unit. The unit requires sufficient supply of water, detergent and disinfectant.

### Consumptions

The unit is approved for the use of detergents and disinfectants.



**WARNING:** Do not change the settings made or recommended by the supplier of the detergents!

Detergents are supplied from separate standard cans/bags. (Supply is also possible via piping systems).

Before installation and set up of the unit always read this instruction thoroughly. Always make sure to follow personal safety procedures for chemicals in connection with refilling procedures (product change), maintenance and repair. See also product label and MSDS sheet.

### Safety instructions

Only professional service personnel are allowed to carry out service and repairs on the unit.

Only instructed personnel are allowed to operate the unit.

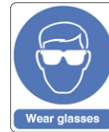
## 5. System Safety

In case of error/defect or service on equipment:

- close the water supply

### 5.1. Closing valve for water supply

With this valve the unit can be isolated from the water supply. We recommend mounting a filter with non return valve on the inlet to prevent backflow of water.



Wear glasses when using the unit.



Wear gloves and suitable clothing when using the unit.

Breakdown of water non-return valves:

- Water closing valve on/in connection with the unit must always be closed when the unit is not in use.
- After use of the unit, all chemical non-return valves must be thoroughly rinsed with clean water. Follow instructions in paragraph 9.2.
- Non-return valves for water should be examined minimum once a year by authorised personnel for defects.

Repair of unit:

- Do not attempt to repair a Defective unit by yourself. Always contact an authorised service company.
- Block and mark any Defective unit in order to avoid unintended use – see paragraph below regarding “Rest risk – Use of the unit”
- For safety reasons only use approved and original spare parts.
- The unit must never be used without the cover being mounted.

## 5.2. Rest Risk

### Use of Unit:

- Never use the unit without prior instructions in use of the unit and its safety instructions. The instruction must be prepared by an educated/ instructed personnel.
- Never use the unit without having read the enclosed guide and safety instructions.
- Always close water supply after use.



### Damaged unit:

- Never use the unit if leakages (water or chemical) are observed.
- Never use the unit if it is not possible to operate the closing valves and/or if it is not possible to select required operation.
- Never use the unit if it has been dislodged from its original place of mounting.

## 6. Installation

### 6.1. Before Installation

When the unit is to be mounted you have to make sure that the carrying capacity of the wall is sufficient.


-  The pipeline must be rinsed through before the system is connected.
-  Remove cover before the unit is mounted on the wall.

For safety reasons it is important to read all of the enclosed information before installation of this equipment. In addition, the legislation in force at the time of purchase must always be considered in connection with the installation and mounting of this equipment, no matter the contents of this manual. If there are matters of dispute please contact your dealer.

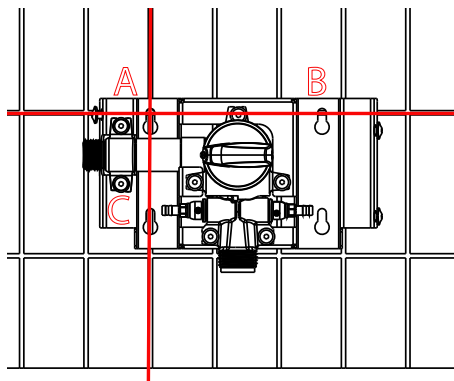
### 6.2. Noise

Sound level according to ISO 11202;  
Below 70 dB.

### 6.3. Directions for Mounting

-  The unit should be mounted in frost-free rooms only.
  - The unit can be mounted on a wall or on a separate frame which may be installed in production areas and anchored to the floor.
  - For mounting on walls, please note the following:
    - The wall for mounting should be either a stable brick wall or a wall made of concrete.
    - The unit must always be mounted according to illustration 110005640 (see page 87)
    - The delivered bracket should be secured to the wall by the enclosed screws and corresponding dowels
    - It is VERY important that the wall bracket is mounted with ALL of the enclosed 4 screws!

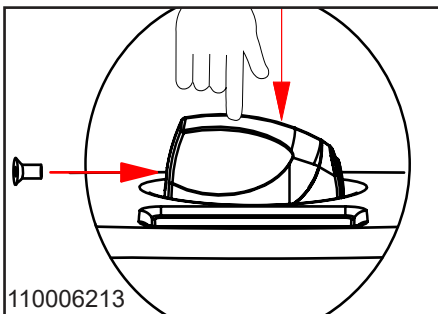
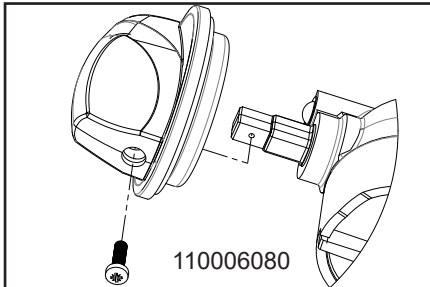
If the unit is to be mounted on a tile wall and you want to avoid drilling in and thus destroy the tiles, you can advantageously place the top hole in a cross between 2 joints (A). Thus, both the holes for (B) and (C) will be placed in a joint.





The wall bracket should be mounted on the wall according to the above description and the unit is hung on to the bracket. The hose and Product holders should be mounted afterwards.

- The operation button must be mounted after mounting of the cover.
- The screw on the button must be aligned with the small hole on the shaft.
- Press the button while fastening the screw. (See illustration 110006080 and 110006213)



#### 6.4. Transportation

For secure transportation of the unit, we recommend always to ensure, that the unit can not slide or tip. The unit might have to be secured with straps.

Transportation of the unit only in horizontal position: The unit must not be placed on the front where you find the operation panel. Neither can it be placed on top or bottom where connections and outlets are mounted.

In case the unit is moved at a temperature of approx or below 0°C (32°F), you must always make sure that the unit has been fully emptied for water. If this is not the case, you may damage the unit.

#### 6.5. Vibrations

Hand-arm vibrations according to ISO 5349-1.

#### 6.6. Water Connection



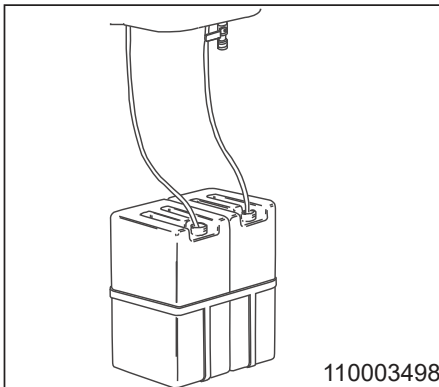
- Before the unit is connected to the water supply pipe, the supply line should be rinsed carefully in order to remove coarse impurities and metal shavings.
- The connection for water must be made on the side of the unit. (see layout drawing)
- Minimum internal diameter of the supply pipe must be at least ½" external (ø16 mm internal).
- The pressure loss in the supply line must be held as low as possible by:
  - avoiding long supply pipes
  - mounting low pressure resistance ball valves and
  - avoiding fittings with high pressure loss.
- When installing the piping, take care to avoid air traps.
- All pipe connections to the unit must be screwed connections ensuring simple maintenance and dismantling of the station.

Max. allowed temperature of supplied water:	55°C
Max. allowed pressure of supplied water:	6 bar
Water consumption at rinsing mode:	10,5 l/min



**i** For an optimum functioning of the injector system, and to avoid impurities in the water, we recommend installing the enclosed filter

### 6.7. Supply of Detergent Satellite



How to attach the chemical suction hoses:

- Washing product on the right side
  - Disinfection product on the left side
- see below drawing.
- Place the bag/can with detergent in the product holder
  - Check the suction filter for impurities.
  - Put the suction hose into the bag/can below product level and avoid suction of air. See drawing no 110003498
  - After pre-rinsing, check again that the hose is sufficiently below product level and avoid suction of air during foam or spray operation.
  - After use of and when changing product as well as after use of the unit, remove the hose from the bag/can and rinse the product inlet line and injector with clean water.

### 6.8. Hose Connection

- The special hose fitted with spray gun/outlet valve is connected to the outlet quick coupling of the unit (layout drawing).
- Maximum hose length: 15 m.
- It is recommended only to use Nilfisk-FOOD hoses, which have been tested for resistance.

If the drain hose is disconnected for a long time, the water connection has to be closed.

## 7. Operation procedures

### 7.1. Initial start up

Adjustment of detergent


Adjustment of detergent can be done either by means of a limiting nozzle or by means of a closing valve.

#### 7.1.1. Limiting nozzle

Remove cover from the unit.

The limiting nozzle is placed in the suction nipple of the non-return valve and can be replaced by a smaller or larger nozzle depending on the concentration required. Please follow guidelines in table. Reinstall the cover when adjustment has been carried out.

Nozzle colour	Concentration at 29 psi - 2 bar	Concentration at 44 psi - 3 bar	Hole dim.
Orange	2,8	3,2	0.25
Brown	2,3	2,7	0.23
Yellow	1,6	2,3	0.20
Turquoise	1,1	1,8	0.16
Purple	1,2	1,1	0.14
Light blue	0,6	1,0	0.12
Pink	0,7	0,7	0.10

 All tests have been made with water.

This table is for indicative purposes only. In order to achieve the exact concentration, it must be tested during use.

## 8. Operation


### 8.1. Start/Stop (change, rinse, foam, des)

#### Start satellite

1. Check that water supplies for the system are open.
2. Make sure that the water supply to the unit is open. In case of central chemical supply this must be activated too.
3. Select requested function. Use the unit according to the "User Guide".

#### Stop satellite

1. Turn off the water supply


 It is important to shut off the water and chemical supply when the unit is left after use .

It may be necessary to bleed the pipes and the unit after it has been closed for a longer period of time (holidays, and the like).



**CAUTION:** The chemical supply must always be rinsed thoroughly after use

2. The following procedure will clean the chemical supply for detergents and/or remains of disinfectants.
  - 2.1. Remove Product bag/can.
  - 2.2. Place the hose in a bucket of clean water.
  - 2.3. Activate the hose handle until clean water comes out of the nozzle (approx. 30 seconds)

 The chemical supply must always be rinsed thoroughly after use. (See 9.2)



## 9. Maintenance, Trouble shooting, Service

### 9.1. Preventive maintenance


Depending on usage, maintenance should be undertaken by an authorised service engineer at least once a year in order to prevent defects and failure of operation. Authorised engineers are persons who due to their skills and experience have sufficient knowledge of the Hygiene Systems and are confident with the state work safety regulations, accident preventing regulations, lines and generally acknowledged technical regulations such as DIN-norms and VDE-provisions. For your safety, this cleaning unit has been manufactured according to all relevant regulations valid in the EU and therefore it has been supplied with the CE-marking. For further information, please contact to the service department.

### 9.2. Rinsing the chemical supply/ injector system

Remains of detergents or disinfectants can clog the injector so it needs to be rinsed or replaced.

The following procedure will clean the chemical supply for detergents and/or remains of disinfectants.

1. Hold the rinsing bottle with clean water tightly against the hose. Alternatively, you can place the hose in a bucket of clean water.
2. Activate the hose handle until clean water comes out of the nozzle (approx. 30 seconds).

 This procedure should be followed both on the detergent and the disinfectant side (if this is installed).

### 9.3. Descaling

- The interval of the Descaling procedure is depends on the water hardness.
- Make sure the water supply to the unit is disconnected.
- Remove the Cover from the unit.
- Dismount the injector block.
- Put the injector block in a descaling bath – make sure the dosing valve (the knob) is over the surface.
- Wait for 60 minutes.
- Rinse the block in clean water.
- Connect water to the unit.
- Test the unit in Foam position make sure the vacuum is sufficient, it is recommended to be between 14,8 - 20,7 inHg / -0.05 - 0.07 MPa.
- Test that the unit can start and stop in both foam and rinse position
- Reinstall the cover to the unit

The following descaling intervals must be observed to prevent lime building up in the unit, that can discontinue operation of the unit:

°dH	ppm	Time between Descaling
0-5	18-90	12 months
5-10	90-180	6 to 12 months
10-15	180-270	3 to 6 months
15-20	270-360	3 to 6 months
>20	>360	1 to 3 months

### 9.4. Coupling

It is recommended to lubricate all coupling parts regularly (approx. once a week) with waterproof grease to prevent leaks and damage of packings. If the unit is equipped with a spray gun the piston of the gun should also be lubricated.

In leaking quick couplings the packings should be replaced.

### 9.5. Internal cleaning of the unit

We recommend opening and cleaning the unit inside min. once a week.

## 9.6. Trouble Shooting and Remedy

Fault	Cause	Remedy
No pressure/ too low pressure	Insufficient or No water supply	Open water supply valve (See 5.1 – Closing valve)
	Rinsing nozzle is not installed	Place rinsing nozzle
Insufficient or No foam creating	No supply of diluted products	Consult directions for use of dosing unit
	Product is not suitable	Choose suitable product
	Incorrect nozzle	Place foam nozzle
	Non-return valve is blocked	Clean or replace non-return valve
	Injector /mixing chamber blocked	Clean nozzle
No spray sanitising	No supply of dilute products	Consult directions for use of dosing unit
	Non-return valve is blocked	Clean or replace non-return valve
	Injector /mixing chamber is blocked	Clean Injector /mixing chamber
<b><i>In case of errors/troubles not mentioned above, please contact your local service technician for further assistance.</i></b>		

## 10. End of Use

### 10.1. Dismounting

Close all supply valves and remove the unit from wall.

### 10.2. Disposal

In case the unit should be disposed, it must be separated and sorted in recyclable and non recyclable parts.

The steel construction is easily separated and disposed and constitutes no environmental risk – nor for the user.

Disposal must be made according to rules and regulations in force for disposal of machines as well as all standards in connection with environmental protection.



**CAUTION:** Disposal of electronic components and other remedies must be handled as special disposal when disposed. Alternatively, it can be disposed by a specialised disposal company.

### 10.3. Service addresses

#### Austria

Ecolab GmbH  
Rivergate D1/4OG  
Handelskai 92  
1200 Vienna, Austria  
Tel: +43 1 715 25 50  
Email: orderdesk@ecolab.com

#### Belgium

Ecolab N.V.  
Noordkustlaan 16C  
1702 Groot Bijgaarden  
Belgium  
Tel: +32 24675111  
Email: Info.be@Ecolab.com

#### Bulgaria

Ecolab Bulgaria FOOD  
Tsarigradsko chaussee Blv. 115A  
1784 Sofia  
Bulgarien  
Tel: 359 29 76 80 30  
Email: csbulgaria@ecolab.com

#### Croatia

Ecolab s.r.o.  
Zavrtnica 17  
HR-10 000 Zagreb  
Phone: (00385) 1 63 21 600  
Fax: (00385) 1 63 21 633

#### Czech Republic

Ecolab spol. s r.o.  
Voctářova 2449/5  
180 00 Praha 8  
Tjekkiet  
Mail: office.prague@ecolab.com  
Tel: +420 296 114 040

#### Denmark

Ecolab A/S  
Høffdingsvej 36  
2500 Copenhagen  
Phone: (0045) 36 15 85 85

#### Finland

Oy Ecolab Ab  
PO Box 123 (Palkkatilanportti 1)  
00241 Helsinki  
Finland  
Tel: +358 207561400  
Mail: fi-tilaukset@ecolab.com

#### France

Ecolab France  
23 Avenue Aristide Briand  
CS 70107  
94112 Arcueil CEDEX  
Frankreich  
Tel: +33 (0)1 49 69 65 00  
Mail: client.hrc@ecolab.com

#### Germany

Ecolab GmbH & Co. OHG  
Raiffeisenstraße 7  
833131 Siegsdorf  
Deutschland  
Tel: +49 8662 61-0  
Mail: engineering-mailbox@ecolab.com

#### Greece

Ecolab S.A  
280 Kifisias Av. and 2 Idras Str.  
15232 Halandri, Athens  
Greece  
Tel: +30 210 6873700  
Email: gr-customerservice@ecolab.com

## **Hungary**

Ecolab Kft.  
Váci út 81-83. Center Point II.  
1139 Budapest Hungary  
Tel: +36 1 880 5610  
Mail: [custserv.eu@nalco.com](mailto:custserv.eu@nalco.com)

## **Ireland**

Ecolab Ltd.  
Forest Park, Mullingar Industrial Estate,  
Mullingar Co. Westmeath, Ireland  
Tel: +353 1 276 3500  
Email: [infoireland@ecolab.com](mailto:infoireland@ecolab.com)

## **Italy**

Ecolab S.r.l.  
Via Trento, 26  
20871 Vimercate - MB  
Italy  
Mail: [CSItaly.ID@ecolab.com](mailto:CSItaly.ID@ecolab.com)  
Tel: +39 039 60501

## **Netherlands**

Ecolab B.V.  
Oude Rhijnhofweg 17  
2342 BB Oegstgeest  
The Netherlands  
Tel: +31 (0)71 524 1100  
Mail: [NLCustomerServices@Ecolab.com](mailto:NLCustomerServices@Ecolab.com)

## **Norway**

Ecolab a.s  
Innspurten 9  
Postboks 6440 Etterstad  
0605 Oslo, Norway  
Tel: +47 22 68 18 00  
E-Mail: [NO-kundeservice@ecolab.com](mailto:NO-kundeservice@ecolab.com)

## **Poland**

Ecolab sp.z o.o.  
ul. Opolska 114  
31-323 Kraków, Poland  
Tel: +48 12 2616 100  
Email: [dok.pl@ecolab.com](mailto:dok.pl@ecolab.com)

## **Portugal**

Ecolab Hispano-Portuguesa  
TagusPark, Avenida Prof. Doutor Cavaco  
Silva  
Edifício Qualidade, B1-1B  
2740-122 Porto Salvo, Portugal  
Tel: +351 214 48 0750  
Mail: [atendimento.cliente.pt@ecolab.com](mailto:atendimento.cliente.pt@ecolab.com)

## **Romania**

Ecolab srl  
Șoseaua Păcurari 138  
Centrul de Afaceri IDEO, etaj 2  
700545 Iași, Romania  
Tel: +40 232 222 210  
Mail: [office.iasi@ecolab.com](mailto:office.iasi@ecolab.com)

## **Russia**

CJSC Ecolab  
Letnikovskaya str., 10, bld. 4, 6th floor  
115114 Moscow, Russia  
Tel: +7 495 9807060  
Mail: [Secretary.Moscow@ecolab.com](mailto:Secretary.Moscow@ecolab.com)

## **Slovakia**

Ecolab s.r.o.  
Cajakova 18  
81105 Bratislava  
Tel: +421 2 572049-12  
Mail: [objednavky@ecolab.com](mailto:objednavky@ecolab.com)

## **Slovenia**

Ecolab d.o.o. Maribor  
Vajngerlova 4  
Postfach 1007  
SLO-2001 Maribor  
Phone: (0038) 62 42 93 100  
Fax: (0038) 62 42 93 152

## **Spain**

Ecolab Hispano-Portuguesa, S.L.  
Avenida Del Baix Llobregat 3-5  
08970 Sant Joan Despi (Barcelona)  
Tel: +34 93 475 89 00  
Mail: [atencion.cliente.es@ecolab.com](mailto:atencion.cliente.es@ecolab.com)  
com

## **Sweden**

Ecolab AB  
Götalandsvägen 230, Hus 23  
125 24 Älvsjö  
Tel: +46 8 6032 200  
Mail: [order.se@ecolab.com](mailto:order.se@ecolab.com)

## **Switzerland**

Ecolab GmbH  
Kägenstrasse 10  
CH-4153 Reinach  
Phone: (0041) 61 46 69 466  
[Ch-customerservice@ecolab.com](mailto:Ch-customerservice@ecolab.com)

## **Turkey**

Ecolab Turkey  
Vizyon Bulvar No: 13 Kat: 1 No: 65  
Esentepe Mah. Cevizli-Esentepe E-5  
Yanyol Cad.  
Kartal, ISTANBUL TR 34870  
Tel: + 090 216 458 6900

## **Ukraine – Kiev**

Ecolab LLC  
Geroiv Kosmosu Street 4. Floor 8.  
Office 805  
03148 Kiev, Ukraine  
Tel: +380 4449431-20  
Mail: [orderua@ecolab.com](mailto:orderua@ecolab.com)

## **United Kingdom**

Ecolab Ltd.  
Winnington Avenue  
Northwich, Cheshire CW8 4DX  
Tel: +44 (0)1606 74488  
Mail: [ccs@ecolab.com](mailto:ccs@ecolab.com)

## **Warranty**

Warranty is given for a period of 24 months from delivery of the equipment, and for 12 months from putting into operation of spare parts and accessories to the equipment which have become unfit for use due to design or manufacturing defects. The warranty will consist of reimbursement, replacement or repair of the defective or damaged part at our work. Installation and freight costs are charged.

Any defective parts are to be placed at our disposal. Claims that may otherwise be raised for any legal reason will not be acknowledged. No liability will be accepted for damage occurred indirectly. The purchaser has no right to let any third party repair possible defects on our account.

All hoses, rubber parts or synthetic materials, natural wear as well as damage caused by careless and inappropriate treatment, including transport damage are not covered by the warranty. Further, the warranty does not apply if the cleaning station has been subjected to frost. The obligation of warranty compensation disappears if changes or repairs are made by non-authorized persons. Claims under the warranty will only be acknowledged when they are placed immediately after the defect has been noticed. The warranty ceases in case of change of ownership.

Ecolab cannot be held responsible for personal injury, damage to equipment, working deficits, including production loss, loss of profits, loss of stock or the like which may occur by imperfect and delayed delivery of the sold product, regardless of the reason, including manufacturing and material defects. Please see our standard conditions of sale and delivery.









# 1. Inhalt

<b>2. Verwendete Symbole</b> .....	26
<b>3. Allgemeine Informationen</b> .....	27
3.1. Typenschild .....	28
3.2. Supplier .....	28
3.3. Spezifikationen .....	29
<b>4. Überblick und Verwendung</b> .....	30
<b>5. Systemsicherheit</b> .....	30
5.1. Verschlussventil für die Wasserversorgung .....	30
5.2. Restrisiko .....	31
<b>6. Installation</b> .....	31
6.1. Vor der Installation .....	31
6.2. Lärm .....	32
6.3. Montageanleitung .....	32
6.4. Transport .....	33
6.5. Vibrationen .....	33
6.6. Wasseranschluss .....	33
6.7. Versorgung mit .....	34
6.8. Schlauchanschluss .....	34
<b>7. Betriebsverfahren</b> .....	35
7.1. Erstinbetriebnahme .....	35
7.1.1. Reduzierdüse .....	35
<b>8. Betrieb</b> .....	35
8.1. Start/Stopp .....	35
<b>9. Wartung, Fehlersuche und Kundendienst</b> .....	36
9.1. Vorbeugende Wartung .....	36
9.2. Spülung der chemischen Versorgung/des Injektorsystems ..	36
9.3. Entkalkung .....	37
9.4. Kupplung .....	37
9.5. Innenreinigung der Anlage .....	37
9.6. Fehlersuche und Lösung .....	38
<b>10. Nach der Verwendung</b> .....	39
10.1. Demontage .....	39
10.2. Entsorgung .....	39
10.3. Serviceadressen und Gewährleistung .....	40
<b>Empfohlene Ersatzteile</b> .....	81

## 2. Verwendete Symbole

	<p>Vor Inbetriebnahme lesen.</p>
	<p>Bitte tragen Sie bei der Bedienung des Geräts eine Brille.</p>
	<p>Bitte tragen Sie bei der Benutzung des Geräts Handschuhe und passende Kleidung.</p>
	<p><b>Anmerkung:</b> Eine potenziell gefährliche Situation. Mögliche Konsequenzen: Das Produkt oder etwas in seiner Nähe könnte beschädigt sein. Prävention.</p>
	<p><b>Vorsicht:</b> Eine gefährliche Situation. Mögliche Konsequenzen: Leichte oder geringfügige Verletzungen. Kann auch genutzt werden, um vor Sachbeschädigung oder vor Beschädigung anderer Güter zu warnen.</p>
	<p><b>Warnung:</b> Eine potenziell gefährliche Situation. Mögliche Konsequenzen: Tod oder schwere Verletzungen.</p>
	<p><b>Gefahr:</b> Eine gefährliche Situation. Mögliche Konsequenzen: Tod oder schwere Verletzungen.</p>
	<p><b>Achtung:</b> Achtung! Scharfe Kanten – achten Sie auf Ihre Finger.</p>

### **3. Allgemeine Informationen**

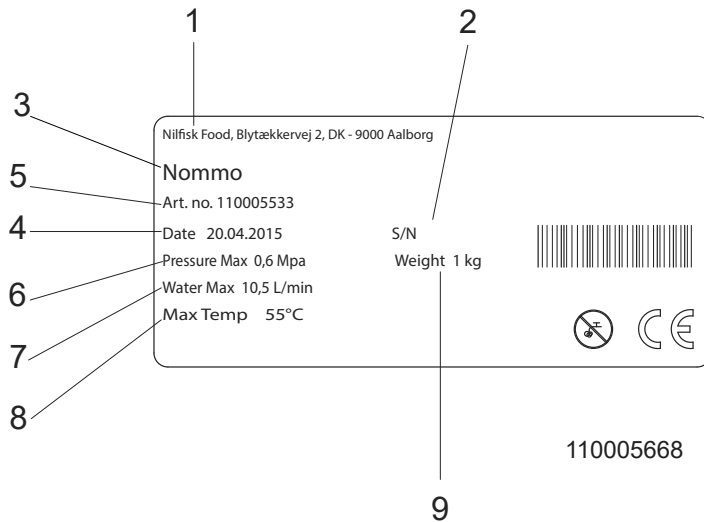
Nilfisk FOOD beglückwünscht Sie zu Ihrer NiederdruckReinigungsanlage.

Die Anlage ist auf dem neuesten Stand der Technik im Bereich der Niederdruck-Reinigungsanlagen in Ihrem Betrieb.

Die Anlage kann zum Washen, Spülen und zur Anwendung von Desinfektionsmitteln eingesetzt werden.

Es ist äußerst wichtig, dass Ihr Bedienpersonal diese Anweisungen vor der Installation, Inbetriebnahme und der Nutzung der Anlage durchliest.

### 3.1. Typenschild



1. Hersteller
2. Seriennr.
3. Modell
4. Herstellungsdatum
5. Artikelnr.
6. Maximaler Druck
7. Maximaler Wasserverbrauch
8. Maximaltemperatur
9. Gewicht

### 3.2. Supplier

Nilfisk FOOD  
 Blytækkervej 2  
 DK-9000 Aalborg, Dänemark  
 Tel.: +45 7218 2000  
 CVR no. 6257 2213  
[www.nilfiskfood.com](http://www.nilfiskfood.com)

### 3.3. Spezifikationen

Technische Daten	
<b>Wasser</b>	
Anschlusstyp Einlass	ISO 228/1-G 1/2
Anschlusstyp Auslass	3/4" GHT (ASME B1.20.7 3/4"-11,5NH)
Wasserverbrauch - Schaummodus	5,2 l/min @3 bar
Wasserverbrauch - Sprühmodus	5,2 l/min @3 bar
Wasserverbrauch - Spülmodus	10,5 l/min @3 bar
Min. Einglassdruck	2 bar @ 5,1 l/min
Max. Einlassdruck	6 bar
Max. Wassertemperatur	55°C
<b>Düsen (empfohlen)</b>	
Spüldüse	25/50 lance 23cm
Schaumdüse	Topjet
Sprühdüse	25/50 lance 23 cm
<b>General</b>	
Anzahl der Produkte	2
Max. Schlauchlänge (empfohlen)	15 m
Schallpegel ISO 11202	Unter 70DB
Gewicht	1 kg
Abmessungen H x B x T	173x205x119 mm

## 4. Überblick und Verwendung

Nommo ist eine Reinigungsanlage, die komplett mit Leitungswasser arbeitet. Die Anlage benötigt eine ausreichende Zufuhr von Wasser, Reinigungsmittel und Desinfektionsmittel.

**Verbrauch:** Das Gerät ist für die Verwendung von Reinigungs- und Desinfektionsmitteln zugelassen:



**Warnung:** Bitte ändern Sie nicht die Einstellungen, die vom Lieferanten des Reinigungsmittels vorgenommen oder empfohlen wurden!

Die Reinigungsmittel werden über ein Benutzerpaketsystem oder separate Standardbehälter geliefert. Die Versorgung ist auch über ein Rohrleitungssystem möglich.

Bitte lesen Sie diese Anleitung vor Installation und Einrichtung immer sorgfältig durch. Stellen Sie sicher, dass die persönlichen Sicherheitsverfahren für Chemikalien in Bezug auf Nachfüllverfahren (Produktwechsel), Wartung und Reparatur befolgt werden. Siehe auch Produktetikett und Sicherheitsdatenblätter (MSDS).

### Sicherheitshinweise

Nur professionelles Service-Personal darf Service- und Reparaturarbeiten am Gerät vornehmen. Nur eingewiesenes Personal darf das Gerät bedienen.

## 5. Systemsicherheit

Im Falle von Fehlern/Mängeln oder Service an der Anlage:

- Schließen Sie die Wasserversorgung

### 5.1. Verschlussventil für die Wasserversorgung

Mit diesem Ventil kann die Anlage von der Wasserversorgung getrennt werden. Um ein Rückfließen des Wassers zu vermeiden, sollten Sie den Filter mithilfe eines Rückschlagventils an der Einlassseite montieren.



Bitte tragen Sie bei der Bedienung des Geräts eine Brille.



Bitte tragen Sie bei Benutzung des Geräts Handschuhe und passende Kleidung.

### Ausfall der Wasser-Rückschlagventile:

- Das Wasserabsperrentil am / in Zusammenhang mit der Anlage muss bei Nichtgebrauch geschlossen sein.
- Nach dem Gebrauch der Anlage müssen alle Chemie-Rückschlagventile mit sauberem Wasser abgespült werden. Folgen Sie den Anweisungen in Abschnitt 9.2.
- Rückschlagventile für Wasser sollten mindestens einmal im Jahr von fachkundigem Personal auf Mängel überprüft werden.

**Reparatur der Anlage:**

1. Versuchen Sie nicht, eine defekte Anlage selbst zu reparieren. Kontaktieren Sie immer eine autorisierte Kundendienststelle.
2. Blockieren und markieren Sie die defekte Anlage, um eine unbeabsichtigte Benutzung zu vermeiden – siehe Abschnitt unten über „Restrisiko – Benutzung der Anlage“.
3. Benutzen Sie aus Sicherheitsgründen nur zugelassene und originale Ersatzteile.
4. Die Anlage darf ohne die vormontierte Frontabdeckung nicht verwendet werden.

**5.2. Restrisiko****Benutzung der Anlage:**

- Benutzen Sie die Anlage nie ohne vorherige Einweisung über den Gebrauch und die Sicherheitshinweise. Die Anweisungen müssen von einem geschulten/eingewiesenen Personal erstellt werden.
- Benutzen Sie die Anlage nie, ohne die beigefügte Gebrauchsanweisung und die Sicherheitshinweise gelesen zu haben.
- Schließen Sie nach Benutzung immer die Wasserversorgung.

**Beschädigte Anlage:**

- Benutzen Sie die Anlage nie, wenn undichte Stellen beobachtet werden (Wasser oder Chemie).
- Benutzen Sie die Anlage nie, wenn Sie die Verschlussventile nicht bedienen können und/oder wenn es nicht möglich ist, den gewünschten Vorgang auszuwählen.
- Benutzen Sie die Anlage nie, wenn sie von ihrem ursprünglichen Montageort entfernt wurde.

**6. Installation****6.1. Vor der Installation**

Wenn die Anlage montiert werden muss, müssen Sie sicherstellen, dass die Tragkraft der Wand ausreicht.



Die Leitung muss gespült werden, bevor das System abgeschlossen wird.



Entfernen Sie die Abdeckung, bevor Sie die Anlage an der Wand befestigen.

Aus Sicherheitsgründen ist es wichtig, alle beigefügten Informationen vor der Installation dieser Anlage zu lesen. Zusätzlich sollten die geltenden Rechtsvorschriften zum Zeitpunkt des Kaufs immer in Zusammenhang mit der Installation und Montage der Anlage berücksichtigt werden, unabhängig von den Inhalten dieser Bedienungsanleitung. Bei Streitfragen sollten Sie Ihren Händler kontaktieren.

## 6.2. Lärm

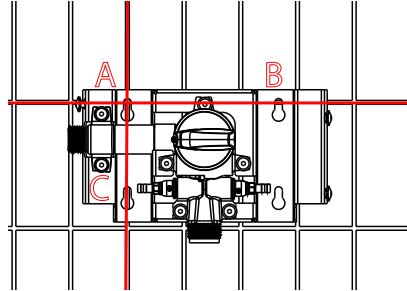
Schallpegel entsprechend ISO 11202; unter 70 dB.

## 6.3. Montageanleitung

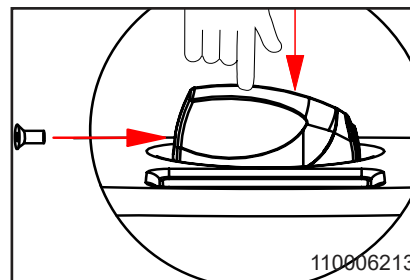
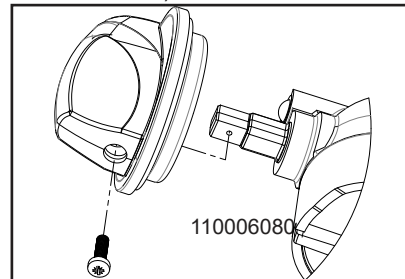


- Die Anlage darf nur in frostfreien Räumen montiert werden.
- Die Anlage kann an einer Wand oder an einem gesonderten Rahmen montiert werden und sollte dabei in Produktionsbereichen installiert und am Boden befestigt werden.
- Für die Wandmontage beachten Sie Folgendes:
- Bei der für die Montage verwendeten Wand sollte es sich um eine tragfähige Ziegelsteinmauer oder Betonmauer handeln.
- Die Anlage immer gemäss Illustration 110005640 montieren. (Seite 87)
- Die gelieferten Halterungen sollten mit den beigefügten Schrauben und entsprechenden Dübeln an der Wand befestigt werden.
- Es ist SEHR wichtig, dass die Wandhalterung mit ALLEN der mitgelieferten 4 Schrauben montiert wird!

Wenn das Gerät an einer Fliesenwand montiert werden soll und Sie ein Anbohren und damit eine Zerstörung der Fliesen vermeiden möchten, können Sie das obere Loch vorteilhafterweise in einem Kreuz zwischen 2 Fugen (A) platzieren. Somit werden beide Löcher für (B) und (C) in einem Gelenk platziert.



- Die Wandhalterung sollte entsprechend der obigen Beschreibung montiert und die Anlage in die Halterung eingehängt werden. Der Schlauch und die Produkthalterungen sollten nachträglich montiert werden.
- Die Bedientaste wird montiert, wenn die Abdeckung montiert ist.
- Die Schraube am Knopf muss auf das kleine Loch an der Achse ausgerichtet sein.
- Drücken Sie den Knopf, während Sie die Schraube anziehen.
- Siehe Abbildung 110006080 und 110006213)





## 6.4. Transport

Für einen sicheren Transport der Anlage sollten Sie sicherstellen, dass diese weder rutschen noch kippen kann. Die Anlage muss gegebenenfalls mit Gurten gesichert werden.

Transport der Anlage nur in horizontaler Position: Die Anlage darf nicht auf der Vorderseite platziert werden, an der sich das Bedienfeld befindet. Sie kann auch nicht auf der Ober- oder Unterseite platziert werden, da dort Anschlüsse und Steckdosen montiert werden.

Wenn die Anlage bei einer Temperatur von circa 0 °C (32 °F) bewegt wird, sollten Sie immer sicherstellen, dass die Anlage vollständig geleert ist. Wenn dies nicht der Fall ist, können Sie die Anlage beschädigen.

## 6.5. Vibrationen

Hand-Arm-Vibrationen gemäß ISO 5349-1.

## 6.6. Wasseranschluss

- Bevor die Anlage mit der Wasserzulaufleitung verbunden wird, sollte die Versorgungsleitung vorsichtig abgespült werden, um grobe Verunreinigungen und Metallspäne zu entfernen.
- Der Wasseranschluss muss auf der Seite der Anlage erfolgen. (siehe Anordnungsplan)
- Der minimale Innendurchmesser der Versorgungsleitung sollte mindestens 1/2" extern betragen (ø16 mm intern).

- Der Druckverlust in der Versorgungsleitung sollte so niedrig wie möglich gehalten werden durch
- das Vermeiden von langen Versorgungsleitungen
- die Montage von Niederdruck-Widerstands-Kugelventilen und
- das Vermeiden von Armaturen mit hohem Druckverlust.
- Wenn Sie die Rohrleitungen installieren, vermeiden Sie Luftein-schlüsse.
- Alle Rohranschlüsse zur Anlage müssen geschraubte Verbindungen sein, um die einfache Wartung und den Abbau der Station zu ermöglichen.

Max. zulässige Temperatur der Wasserversorgung:	55 °C
Max. zulässiger Druck der Wasserversorgung:	6 bar
Wasserverbrauch im Spülmodus:	10,5 l/min

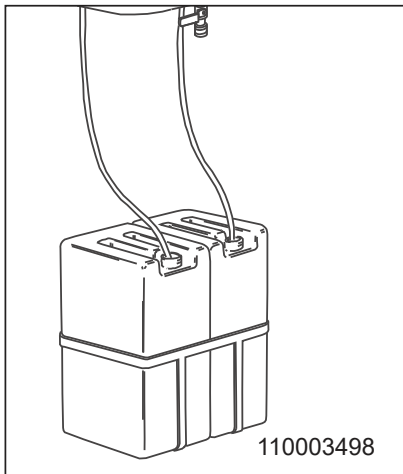




Für ein optimales Funktionieren des Injektorsystems und um Verunreinigungen zu verhindern, empfehlen wir die Installation des beiliegenden Filters

## 6.7. Versorgung mit Reinigungsmittel

### Satellit



So befestigen Sie die chemischen Saugschläuche:

- Waschmittel auf der rechten Seite  
Desinfektionsmittel auf der linken Seite

Siehe Abbildung unten.

- Platzieren Sie den Sack/Kanister mit den Reinigungsmitteln in der Produkthalterung.
- Kontrollieren Sie den Saugfilter auf Verunreinigungen.
- Stecken Sie den Saugschlauch in den Sack/Kanister unter den Füllstand und vermeiden Sie das Ansaugen von Luft.

- Sehen Sie bitte Illustration 110003498
- Stellen Sie nochmals nach dem Vorspülen sicher, dass der Schlauch ausreichend unter dem Füllstand ist und verhindern Sie das Ansaugen von Luft während dem Aufschäumen oder dem Spritzbetrieb.
- Entfernen Sie nach dem Gebrauch und dem Austausch von Produkten sowie nach dem Gebrauch der Anlage den Schlauch vom Sack/Kanister und spülen Sie die Produktzuleitung und den Injektor mit sauberem Wasser ab.

## 6.8. Schlauchanschluss

- Der Spezialschlauch, ausgestattet mit einer Sprühpistole/einem Auslassventil, ist mit der Ausgangsschnellkupplung der Anlage verbunden (Anordnungsplan).
- Maximale Schlauchlänge: 15 m.
- Es wird empfohlen, nur Nilfisk-FOOD-Schläuche zu verwenden, die auf Widerstandsfähigkeit getestet wurden.
- Wenn der Ablaufschlauch längere Zeit nicht angeschlossen ist, muss der Wasseranschluss geschlossen sein.

## 7. Betriebsverfahren

### 7.1. Erstinbetriebnahme

Einstellung des Reinigungsmittels  
Die Einstellung des Reinigungsmittels kann mit Hilfe einer Reduzierdüse oder mit Hilfe eines Verschlussventils erfolgen (Anordnungsplan).

#### 7.1.1. Reduzierdüse

Nehmen Sie die Abdeckung der Anlage ab.

Die Reduzierdüse wird im Saugnippel des Rückschlagventils platziert und kann je nach benötigter Konzentration durch eine kleinere oder größere Düse ersetzt werden. Bitte beachten Sie die Richtwerte in der Tabelle. Setzen Sie die Abdeckung wieder auf, wenn die Einstellungen vorgenommen wurden.

Farbe der Düse	29 psi 2 bar	44 psi 3 bar	Hole dim.
Orange	2,8	3,2	0.25
Braun	2,3	2,7	0.23
Gelb	1,6	2,3	0.20
Türkis	1,1	1,8	0.16
Lila	1,2	1,1	0.14
Hellblau	0,6	1,0	0.12
Rosa	0,7	0,7	0.10



Alle Tests wurden mit Wasser durchgeführt.

Die Tabelle enthält Richtwerte.

Um die genaue Konzentration zu erhalten, muss diese während des Gebrauchs getestet werden.

## 8. Betrieb

### 8.1. Start/Stop

(wechseln, spülen, aufschäumen, des.)

#### Satellit starten

1. Prüfen Sie, dass der Wasseranschluss des Systems geöffnet ist.
2. Stellen Sie sicher, dass der Wasseranschluss zur Anlage geöffnet ist. Im Falle einer zentralen Chemieverorgung sollten sie dies auch aktivieren.
3. Gewünschte Funktion auswählen. Benutzen Sie die Anlage entsprechend der „Bedienungsanleitung“.

#### Satellit anhalten

1. Schließen Sie die Wasserverorgung.



Es ist wichtig, dass Sie die Wasser und Chemie zufuhr nach dem Gebrauch der Anlage wieder unterbrechen.

Es kann erforderlich sein, die Schläuche und die Anlage nach längerem Produktionsstillstand (Ferien oder dergleichen) zu entlüften.



**VORSICHT:** Die Chemieverorgung sollte nach dem Gebrauch immer gründlich gespült werden

2. Folgendes Verfahren reinigt die Chemieversorgung von Reinigungsmitteln und/oder Rückständen von Desinfektionsmitteln.

2.1 Entfernen Sie den Produktsack/-kanister.

2.2 Halten Sie den Schlauch in einen Eimer mit sauberem Wasser.

2.3 Aktivieren Sie den Schlauchgriff, bis sauberes Wasser aus der Düse tritt (ca. 30 Sekunden)



Die Chemieversorgung muss nach dem Gebrauch gründlich gespült werden. (Siehe 9.2)

## 9. Wartung, Fehlersuche und Kundendienst

### 9.1. Vorbeugende Wartung

Je nach Anwendung sollte die Wartung von einem autorisierten Servicetechniker mindestens einmal im Jahr vorgenommen werden, um Schäden und Betriebsausfälle zu vermeiden. Autorisierte Techniker sind Personen, die aufgrund Ihrer Fähigkeiten und Erfahrungen hinreichende Kenntnisse über Hygienesysteme besitzen und mit den staatlichen Arbeits- und Unfallverhütungsvorschriften, Richtlinien und allgemein anerkannten technischen Vorschriften, wie der DIN-Norm und den VDE-Bestimmungen, vertraut sind. Aus Sicherheitsgründen wurde diese Reinigungsanlage gemäß aller relevanten, in der EU gültigen Vorschriften gefertigt und somit mit der CE-Kennzeichnung geliefert. Für weitere Informationen wenden Sie sich bitte an den Kundendienst.

### 9.2. Spülung der chemischen Versorgung/des Injektorsystems

Rückstände von Reinigungsmitteln oder Desinfektionsmitteln können den Injektor verstopfen, sodass er gespült oder ersetzt werden muss.

Folgendes Verfahren reinigt die Chemieversorgung von Reinigungsmitteln und/oder Rückständen von Desinfektionsmitteln.

1. Halten Sie die Reinigungsflasche mit sauberem Wasser dicht an den Schlauch. Alternativ können Sie den Schlauch in einen Eimer mit sauberem Wasser halten.

2. Aktivieren Sie die Schlauchdüse bis sauberes Wasser aus der Düse tritt (circa 30 Sekunden).



Dieses Verfahren sollte sowohl auf der Reinigungsmittel- als auch auf der Desinfektionsmittelseite (falls installiert) durchgeführt werden.

### 9.3. Entkalkung

- Die Abstände für den Entkalkungsvorgang hängen von der Wasserhärte ab.
- Stellen Sie sicher, dass die Wasserversorgung von der Anlage getrennt wurde.
- Nehmen Sie das Deckelteil von der Anlage ab.
- Montieren Sie den Injektorblock ab.
- Legen Sie den Injektorblock in ein Entkalkungsbad – stellen Sie sicher, dass sich das Dosierventil (der Drehknopf) über der Oberfläche befindet.
- Warten Sie 60 Minuten lang.
- Spülen Sie den Block mit sauberem Wasser ab.
- Schließen Sie die Wasserversorgung an die Anlage an.
- Testen Sie die Anlage in der Schaumposition und versichern Sie sich, dass das Vakuum ausreichend, empfohlen zwischen 14,8 – 20,7 inHg / -0,05 – 0,07 MPa.
- Prüfen Sie, dass die Anlage jeweils in der Schaum- wie auch in der Spülposition starten und stoppen kann.

- Installieren Sie den Deckel auf der Anlage erneut.

Die folgenden Entkalkungsabstände müssen eingehalten werden, um die Entstehung von Kalk in der Anlage zu verhindern, was zu Betriebsausfällen führen kann:

°dH	ppm	Zeitabstand zwischen den Entkalkungen
0-5	18-90	12 Monate
5-10	90-180	6 bis 12 Monate
10-15	180-270	3 bis 6 Monate
15-20	270-360	3 bis 6 Monate
>20	>360	1 bis 3 Monate

### 9.4. Kupplung

Es wird empfohlen, alle Kupplungsteile regelmäßig (ca. einmal in der Woche) mit wasserdichtem Schmierfett einzuölen, um Lecks und die Beschädigung der Dichtungen zu vermeiden. Wenn die Anlage mit einer Sprühpistole ausgestattet ist, sollte der Kolben der Pistole ebenso eingeölt werden.

Wenn die Schnellkupplung leckt, sollten die Dichtungen ersetzt werden.

### 9.5. Innenreinigung der Anlage

Wir empfehlen, die Anlage mindestens einmal in der Woche zu öffnen und im Inneren zu reinigen.

## 9.6. Fehlersuche und Lösung

Fehler	Ursache	Lösung
Kein Druck / Druck zu niedrig	Unzureichende oder fehlende Wasserzufuhr	Ventil zur Wasserver- sorgung öffnen (siehe 5.1 – Verschlussventil)
	Die Spüldüse wurde nicht installiert	Positionieren Sie die Spüldüse
Unzureichende oder keine Schaum- bildung	Keine Versorgung mit verdünnten Produkten	Lesen Sie die Gebrauch- sanweisung für die Dosiereinheit
	Das Produkt ist nicht geeignet	Wählen Sie geeignetes Produkt
	Falsche Düse	Einbau der Schaumdüse
	Das Rückschlagventil ist blockiert	Reinigen oder ersetzen Sie das Rückschlagventil
	Injektor / Mischkammer blockiert	Reinigen Sie die Düse
Keine Sprüh- sanitisierung	Keine Versorgung mit Reinigungsmittel	Lesen Sie die Gebrauch- sanweisung für die Dosiereinheit
	Das Rückschlagventil ist blockiert	Reinigen oder ersetzen Sie das Rückschlagventil
	Injektor / Mischkammer ist blockiert	Die Injektor-/Mischkam- mer reinigen
Bei Fehlern/Problemen, die oben nicht erwähnt wurden, kontaktieren Sie bitte Ihren örtlichen Techniker zur weiteren Unterstützung.		

## 10. Nach der Verwendung

### 10.1. Demontage

Schließen Sie alle Versorgungsventile und entfernen Sie die Anlage von der Wand.

### 10.2. Entsorgung

Wenn die Anlage entsorgt werden soll, muss sie demontiert und getrennt werden, z. B. in recycelbare und nicht recycelbare Teile.

Die Stahlkonstruktion wird einfach demontiert und entsorgt und stellt kein Umweltrisiko dar – auch für den Benutzer nicht.

Die Entsorgung muss sich nach den gültigen Regelungen und Bestimmungen zur Entsorgung von Maschinen richten und alle Umweltschutzstandards erfüllen.



**VORSICHT:** Die Entsorgung von elektronischen Elementen und anderen Mitteln sollte als Sonderentsorgung gehandhabt werden. Alternativ können sie von einem spezialisierten Entsorgungsunternehmen entsorgt werden.

### 10.3. Service adressen und Gewährleistung

#### Austria

Ecolab GmbH  
Rivergate D1/4OG  
Handelskai 92  
1200 Vienna, Austria  
Tel: +43 1 715 25 50  
Email: orderdesk@ecolab.com

#### Belgium

Ecolab N.V.  
Noordkustlaan 16C  
1702 Groot Bijgaarden  
Belgium  
Tel: +32 24675111  
Email: Info.be@Ecolab.com

#### Bulgaria

Ecolab Bulgaria FOOD  
Tsarigradsko chaussee Blv. 115A  
1784 Sofia, Bulgaria  
Tel: 359 29 76 80 30  
Email: csbulgaria@ecolab.com

#### Croatia

Ecolab s.r.o.  
Zavrtnica 17  
HR-10 000 Zagreb  
Phone: (00385) 1 63 21 600  
Fax: (00385) 1 63 21 633

#### Czech Republic

Ecolab spol. s r.o  
Voctářova 2449/5  
180 00 Praha 8, Czech Republic  
Mail: office.prague@ecolab.com  
Tel: +420 296 114 040

#### Denmark

Ecolab A/S  
Høffdingsvej 36  
2500 Copenhagen  
Phone: (0045) 36 15 85 85

#### Finland

Oy Ecolab Ab  
PO Box 123 (Palkkatilanportti 1)  
00241 Helsinki  
Finland  
Tel: +358 207561400  
Mail: fi-tilaukset@ecolab.com

#### France

Ecolab France  
23 Avenue Aristide Briand  
CS 70107  
94112 Arcueil CEDEX  
Frankreich  
Tel: +33 (0)1 49 69 65 00  
Mail: client.hrc@ecolab.com

#### Germany

Ecolab GmbH & Co. OHG  
Raiffeisenstraße 7  
833131 Siegsdorf  
Deutschland  
Tel: +49 8662 61-0  
Mail: engineering-mailbox@  
ecolab.com

#### Greece

Ecolab S.A  
280 Kifisias Av. and 2 Idras Str.  
15232 Halandri, Athens, Greece  
Tel: +30 210 6873700  
Email: gr-customerservice@  
ecolab.com



**Hungary**

Ecolab Kft.  
Váci út 81-83. Center Point II.  
1139 Budapest Hungary  
Tel: +36 1 880 5610  
Mail: custserv.eu@nalco.com

**Ireland**

Ecolab Ltd.  
Forest Park, Mullingar Industrial Estate,  
Mullingar Co. Westmeath, Ireland  
Tel: +353 1 276 3500  
Email: infoireland@ecolab.com

**Italy**

Ecolab S.r.l.  
Via Trento, 26  
20871Vimercate - MB  
Italy  
Mail: CSItaly.ID@ecolab.com  
Tel: +39 039 60501

**Netherlands**

Ecolab B.V.  
Oude Rhijnhofweg 17  
2342 BB Oegstgeest  
The Netherlands  
Tel: +31 (0)71 524 1100  
Mail: NLCustomerServices@Ecolab.com

**Norway**

Ecolab a.s  
Innspurten 9  
Postboks 6440 Etterstad  
0605 Oslo, Norway  
Tel: +47 22 68 18 00  
E-Mail: NO-kundeservice@ecolab.com

**Poland**

Ecolab sp.z o.o.  
ul. Opolska 114  
31-323 Kraków, Poland  
Tel: +48 12 2616 100  
Email: dok.pl@ecolab.com

**Portugal**

Ecolab Hispano-Portuguesa  
TagusPark, Avenida Prof. Doutor Cavaco  
Silva  
Edificio Qualidade, B1-1B  
2740-122 Porto Salvo, Portugal  
Tel: +351 214 48 0750  
Mail: atendimento.cliente.pt@ecolab.com

**Romania**

Ecolab srl  
Șoseaua Păcurari 138  
Centrul de Afaceri IDEO, etaj 2  
700545 Iași, Romania  
Tel: +40 232 222 210  
Mail: office.iasi@ecolab.com

**Russia**

CJSC Ecolab  
Letnikovskaya str., 10, bld. 4, 6th floor  
115114 Moscow, Russia  
Tel: +7 495 9807060  
Mail: Secretary.Moscow@ecolab.com

**Slovakia**

Ecolab s.r.o.  
Cajakova 18  
81105 Bratislava  
Tel: +421 2 572049-12  
Mail: objednavky@ecolab.com

## **Slovenia**

Ecolab d.o.o. Maribor  
Vajngerlova 4  
Postfach 1007  
SLO-2001 Maribor  
Phone: (0038) 62 42 93 100  
Fax: (0038) 62 42 93 152

## **Spain**

Ecolab Hispano-Portuguesa, S.L.  
Avenida Del Baix Llobregat 3-5  
08970 Sant Joan Despi (Barcelona)  
Tel: +34 93 475 89 00  
Mail: [atencion.cliente.es@ecolab.com](mailto:atencion.cliente.es@ecolab.com)

## **Sweden**

Ecolab AB  
Götalandsvägen 230, Hus 23  
125 24 Älvsjö  
Tel: +46 8 6032 200  
Mail: [order.se@ecolab.com](mailto:order.se@ecolab.com)

## **Switzerland**

Ecolab GmbH  
Kägenstrasse 10  
CH-4153 Reinach  
Phone: (0041) 61 46 69 466  
Ch-customerservice@ecolab.com

## **Turkey**

Ecolab Turkey  
Vizyon Bulvar No: 13 Kat: 1 No: 65  
Esentepe Mah. Cevizli-Esentepe E-5  
Yanyol Cad.  
Kartal, ISTANBUL TR 34870  
Tel: + 090 216 458 6900

## **Ukraine – Kiev**

Ecolab LLC  
Geroiv Kosmosu Street 4. Floor 8.  
Office 805  
03148 Kiev, Ukraine  
Tel: +380 4449431-20  
Mail: [orderua@ecolab.com](mailto:orderua@ecolab.com)

## **Gewährleistung**

Die Gewährleistung gilt für eine Dauer von 24 Monaten ab dem Lieferdatum der Anlage, und für eine Dauer von 12 Monaten ab Inbetriebnahme der Ersatzteilen und Zubehör, die aufgrund Design und Produktionsfehlern untauglich geworden sind.

Als Formen der Gewährleistung haben hierbei entweder Erstattung, Ersatz oder Reparatur der fehlerhaften bzw. beschädigten Teile in unserem Betrieb Gültigkeit.

Die Installation und Frachtkosten werden in Rechnung gestellt. Alle fehlerhaften Teile müssen uns zur Verfügung gestellt werden. Sonstige Ansprüche werden nicht anerkannt. Es wird keine Haftung für indirekt entstandene Schäden übernommen.

Der Käufer ist nicht berechtigt, einen Dritten mit der Reparatur möglicher Fehler auf unsere Rechnung zu beauftragen.

Alle Schläuche, Gummiteile oder synthetischen Materialien, natürliche Abnutzung sowie Schäden aufgrund nachlässiger und unsachgemäßer Behandlung, einschließlich Transportschäden, sind nicht in der Gewährleistung beinhaltet. Darüber hinaus gilt die Gewährleistung nicht, wenn die Station Frost ausgesetzt war. Die Verpflichtung zur Gewährleistung erlischt ebenso, falls Veränderungen oder Reparaturen von nicht-autorisierten Personen durchgeführt wurden. Ansprüche aus der Gewährleistung werden nur anerkannt, wenn sie unmittelbar nach Entdeckung des Fehlers geltend gemacht werden. Die Gewährleistung erlischt im Falle des Wechsels des Eigentümers.









Ecolab kann nicht für Personenschäden, Beschädigungen an Anlagen, Arbeitsausfälle, einschließlich Produktionsverluste, Gewinnschmälerungen, Bestandsverluste o.ä., die durch unvollständige oder verzögerte Lieferung des verkauften Produktes, ungeachtet des Grundes, einschließlich Produktions- und Materialfehlern, haftbar gemacht werden. Bitte beachten Sie unsere Verkaufs- und Lieferungsbedingungen.



# 1. Table des matière

<b>2. Symboles utilisés dans ce document Généralités</b>	46
<b>3. Généralités</b>	47
3.1. Plaque d'identification	48
3.2. Fournisseur	48
3.3. Spécifications	49
<b>4. Présentation et utilisation</b>	50
<b>5. Sécurité du système</b>	50
5.1. Fermeture de la vanne d'alimentation en eau	50
5.2. Risques de désactivation	51
<b>6. Installation</b>	51
6.1. Avant l'installation	51
6.2. Bruit	51
6.3. Instructions de montage	52
6.4. Transport	53
6.5. Vibrations	53
6.6. Raccordement de l'eau	53
6.7. Fourniture de détergent	53
6.8. Raccordement de flexible	54
<b>7. Procédures de fonctionnement</b>	54
7.1. Démarrage initial	54
7.1.1. Gicleur limiteur	54
<b>8. Fonctionnement</b>	54
8.1. Marche/Arrêt (changement, rinçage, mousse, des)	54
<b>9. Entretien, détection des pannes et service</b>	55
9.1. Maintenance préventive	55
9.2. Rinçage du système d'alimentation chimique/d'injection	55
9.3. Détartrage	55
9.4. Raccordement	55
9.5. Nettoyage interne de l'appareil	55
9.6. Détection des pannes et solution	56
<b>10. Fin d'utilisation</b>	57
10.1. Démontage	57
10.2. Mise au rebut	57
10.3. Adresse du service/Garantie	58
<b>Pièces de rechange conseiées</b>	81

## 2. Symboles utilisés dans ce document Généralités

	Lire avant utilisation
	Veuillez porter des lunettes lors de l'utilisation de l'appareil.
	Veuillez porter des gants et des vêtements appropriés lors de l'utilisation de l'appareil.
	<p><b>Remarque :</b>            Situation potentiellement dommageable.            Conséquences possibles : Le produit ou des éléments l'entourant pourraient être endommagés. Prévention.</p>
	<p><b>Attention :</b>            Situation dangereuse. Conséquences possible : blessures légères ou mineures. Peut également être utilisé pour prévenir les dommages contre les biens ou d'autres produits</p>
	<p><b>Avertissement :</b>            Situation potentiellement dangereuse.            Conséquences possibles : Mort ou blessures graves Prévention.</p>
	<p><b>Attention :</b>            Situation dangereuse. Conséquences possibles : Mort ou blessures graves Prévention.</p>
	<p><b>Attention :</b>            Avertissement ! Bords coupants, attention à vos doigts.</p>

### 3. Généralités

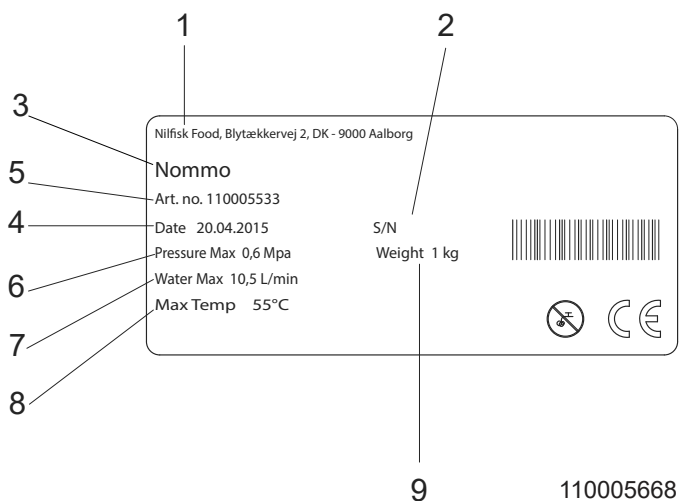
Nilfisk FOOD vous félicite pour votre nouvel équipement de nettoyage.

Cet équipement offre la toute dernière technologie en matière d'équipement de nettoyage à basse pression à votre usine.

Cet équipement peut être utilisé pour la lessive, le rinçage et l'application de désinfectants.

Il est important que votre personnel opérationnel lise ces instructions d'utilisation avant l'installation, le démarrage et l'utilisation de l'équipement.

### 3.1. Plaque d'identification



1. Fabricant
2. N° de série
3. Nom de produit
4. Date de fabrication
5. N° de l'article
6. Pression maximale
7. Consommation d'eau maximale
8. Température maximale
9. Poids

Français (FR)

### 3.2. Fournisseur

Nilfisk FOOD  
Blytækkervej 2  
DK-9000 Aalborg, Danemark  
Tél. : +45 7218 2000  
N° CVR 6257 2213  
[www.nilfiskfood.com](http://www.nilfiskfood.com)



### 3.3. Spécifications

<b>Caractéristiques</b>	
<b>Eau</b>	
Entrée, type de connexion	ISO 228/1-G 1/2
Sortie, type de connexion	3/4" GHT (ASME B1.20.7 3/4"-11,5NH)
Consommation de l'eau - moussage	5,2 l/min @3 bar
Consommation de l'eau - pulvérisation	5,2 l/min @3 bar
Consommation de l'eau - rinçage	10,5 l/min @3 bar
Pression d'arrivée d'eau; min	2 bar @ 5,1 l/min
Pression d'arrivée d'eau; max	6 bar
Température max. de l'eau	55°C
<b>Buses (recommandé)</b>	
Buse de rinçage	25/50 lance 23cm
Buse à mousse	Topjet
Buse du pulvérisateur	25/50 lance 23 cm
<b>Généralités</b>	
Nombre de produits	2
Longueur max. flexible (recommandé)	15 m
Niveau sonore ISO 11202	Inférieur 70DB
Poids	1 kg
Dimensions H x l x P	173x205x119 mm

## 4. Présentation et utilisation

L'appareil Nomme est une unité de nettoyage complète de robinet. L'appareil nécessite une alimentation en eau en quantité suffisante, détergent et désinfectant.

### Consommations

L'appareil est agréé pour l'utilisation de détergents et désinfectants.



**AVERTISSEMENT** : Ne changez pas les paramètres définis ou recommandés par le fournisseur des détergents.

Les détergents sont alimentés par des bidons/sacs standards distincts. (L'alimentation peut aussi être effectuée par un système de tuyauterie).

Avant l'installation et la configuration de l'appareil, lisez toujours attentivement ces instructions. Veillez à toujours respecter les procédures de sécurité personnelle pour les produits chimiques dans le cadre des procédures de remplissage (remplacement du produit), la maintenance et la réparation. Consultez également l'étiquette produit et la fiche MSDS.

### Instructions de sécurité

Seul du personnel de service professionnel est autorisé à effectuer le service et les réparations sur l'appareil.

Seule du personnel qualifié est autorisé à utiliser l'appareil.

## 5. Sécurité du système

En cas d'erreur/de défaut ou de service sur l'équipement :

- fermer l'alimentation en eau

### 5.1. Fermeture de la vanne d'alimentation en eau

Grâce à cette vanne, l'appareil peut être isolé de l'alimentation en eau. Nous recommandons le montage d'un filtre avec un clapet anti-retour à l'entrée pour prévenir le retour d'eau.



Veillez porter des lunettes lors de l'utilisation de l'appareil.



Veillez porter des gants et des vêtements appropriés lors de l'utilisation de l'appareil

### Ventilation des clapets anti-retour pour l'eau :

- La vanne de fermeture d'eau sur/ pour le branchement de l'appareil doit toujours être fermée lorsque l'appareil n'est pas utilisé.
- Après l'utilisation de l'appareil, tous les clapet anti-retour de produits chimiques doivent être rincés abondamment à l'eau. Suivez les instructions dans le paragraphe 9.2.
- Les clapets anti-retour pour l'eau doivent être examinés au moins une fois par an par du personnel autorisé pour rechercher les défauts.

### Réparation de l'appareil :

- Ne tentez pas de réparer un appareil défectueux par vous-même. Contactez toujours une société de service agréée.
- Bloquez et marquez tout appareil défectueux afin d'éviter une utilisation involontaire – voir le paragraphe ci-dessous en ce qui concerne le « Risque de désactivation – Utilisation de l'appareil ».
- Pour des raisons de sécurité, utilisez seulement des pièces de rechange d'origine et agréées.
- L'appareil ne doit jamais être utilisé sans le capot.

### 5.2. Risques de désactivation

#### Utilisation de l'appareil :

- N'utilisez jamais l'appareil sans connaître au préalable les instructions d'utilisation de l'appareil et ses consignes de sécurité. Les instructions doivent être préparées par du personnel formé/qualifié.
- N'utilisez jamais l'appareil sans avoir lu le guide de sécurité.
- Toujours fermer l'approvisionnement en eau après usage.


#### Appareil endommagé :


- N'utilisez jamais l'appareil en cas de fuite (eau ou produit chimique).
- N'utilisez jamais l'appareil s'il n'est pas possible de faire fonctionner les vannes de fermeture et/ou s'il n'est pas possible de sélectionner opération requise.
- N'utilisez jamais l'appareil s'il a été retiré de son emplacement de montage d'origine.

## 6. Installation

### 6.1. Avant l'installation

S'il faut fixer l'appareil, s'assurer que la capacité de charge du mur est suffisante.

 La conduite doit être rincée avant de raccorder le système.

 Retirez le couvercle avant de monter l'appareil sur le mur.

Pour raison de sécurité, il est important de lire l'ensemble des informations avant l'installation de cet équipement. De plus, la législation en vigueur au moment de l'achat doit toujours être prise en compte lors de l'installation et du montage de cet équipement, quel que soit le contenu de ce manuel. En cas de conflit, veuillez contacter votre distributeur.

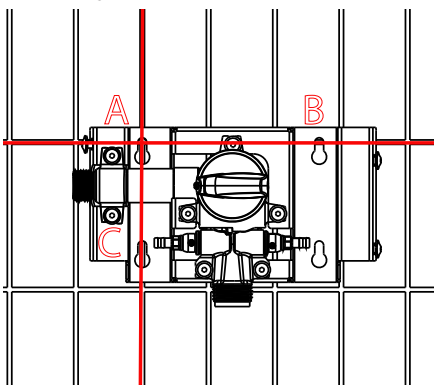
### 6.2. Bruit

Niveau sonore selon la norme ISO 11202 ; inférieur à 70 dB

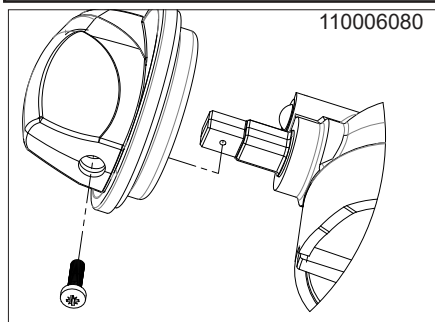
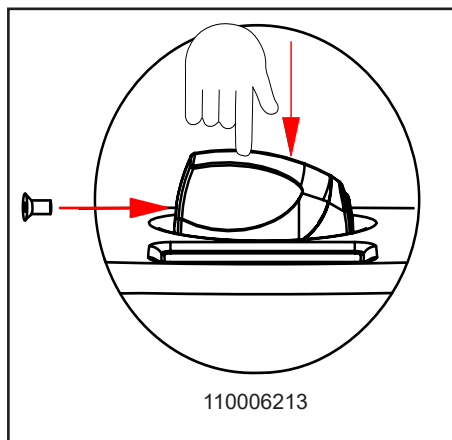
### 6.3. Instructions de montage

- i** • L'appareil doit être monté dans une pièce à l'abri du gel.
- L'appareil peut être monté sur un mur ou sur un châssis séparé qui peut être installé dans des zones de production et ancré au sol.
- Pour le montage mural, notez les points suivants : Le mur de fixation doit être un mur de briques stable ou un mur en béton.
- L'appareil doit toujours être monté conformément à l'illustration 110005640. (Installation côté 87)
- Le support livré doit être fixé au mur à l'aide des vis fournies et des chevilles correspondantes.
- Il est TRES important que le support mural soit monté avec TOUS les quatre écrous fournis !

Si l'appareil doit être monté sur un mur carrelé et que vous souhaitez éviter de percer et ainsi détruire les carreaux, vous pouvez avantageusement placer le trou du haut en croix entre 2 joints (A). Ainsi, les deux trous pour (B) et (C) seront placés dans un joint.



- i** • Le support mural doit être monté sur le mur selon la description ci-dessus et l'unité est accrochée au support. Le porte-tuyau et les supports du produit doivent être montés ensuite. (Voir Installation/ Montage).
- Montez le bouton de service une fois que le couvercle est installé.
- L'écrou du bouton doit être aligné sur le petit orifice de l'axe.
- Appuyez sur le bouton tandis que vous fixer l'écrou
- Voir illustration 110006080 / 110006213)



## 6.4. Transport

Pour le transport sécurisé de l'appareil, nous recommandons toujours de veiller à ce que l'appareil ne puisse pas glisser ou basculer. L'appareil peut nécessiter une fixation avec des sangles.


Transport de l'appareil uniquement en position horizontale : L'appareil ne doit pas être placé à l'avant où se trouve le panneau de commande. Il ne peut pas non plus être placé au-dessus ou sous les emplacements de montage des raccords et des sorties.

Dans le cas de l'appareil est amené à une température d'environ ou inférieure à 0°C (32°F), vous devez toujours vous assurer que l'eau a été entièrement évacuée. Dans le cas contraire, vous risquez d'endommager l'appareil.

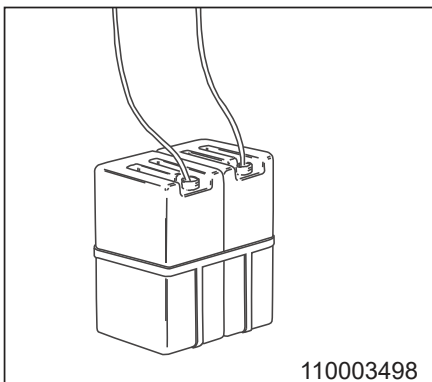
## 6.5. Vibrations


Vibrations dans les mains et dans les bras selon la norme ISO 5349-1.

## 6.6. Raccordement de l'eau

-  Avant de raccorder l'appareil à la conduite d'alimentation en eau, celle-ci doit être rincée soigneusement afin d'éliminer les impuretés, grossières et les copeaux de métal.
- Le raccordement de l'eau doit être effectué sur le côté de l'appareil. (voir schéma d'implantation).
- Le diamètre interne minimal de la conduite d'alimentation doit être d'au moins 1/2" à l'extérieur (ø16 mm à l'intérieur).
- La perte de pression dans la conduite d'alimentation doit être maintenue aussi basse que possible des clapets
  - évitant les longues conduites d'alimentation
  - montant les vannes à billes de résistance basse pression et en
  - évitant les raccords avec perte de pression importante
- Lors de l'installation de la tuyauterie, prenez soin d'éviter les purgeurs d'air.
- Tous les raccords de tuyau de l'appareil doivent être vissés afin d'assurer une maintenance simple et le démantèlement de l'appareil.

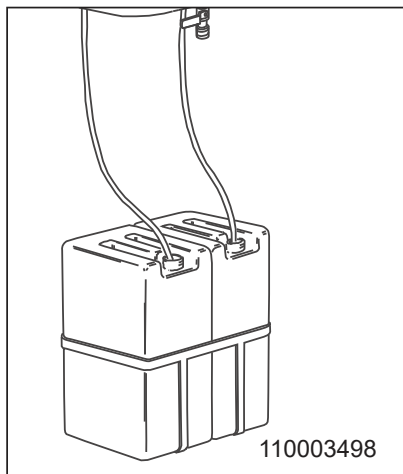
Température max. d'eau d'alimentation autorisée :	55°C
Pression max. d'eau d'alimentation autorisée :	6 bar
Consommation d'eau en mode rinçage :	10,5 l/min



-  Pour un fonctionnement optimal du système injecteur tout en évitant les impuretés de l'eau, l'installation du filtre fourni est fortement recommandé

## 6.7. Fourniture de détergent

### Unité satellite



- Comment raccorder les tuyaux d'aspiration de produits chimiques :
- Du côté droit, le détergent
  - Du côté gauche, le désinfectant

voir ci-dessous le dessin d'illustration.

Vérifiez le filtre d'aspiration d'impuretés.

- Mettez le tuyau d'aspiration dans le bidon/sac au-dessous du niveau de produit et évitez toute aspiration d'air.
- Voir schéma n° 110003498
- Après le pré-rinçage, vérifiez à nouveau que le tuyau est assez en dessous du niveau du produit et évitez toute aspiration d'air au cours du moussage ou de la pulvérisation.
- Après l'utilisation et lors du changement du produit, ainsi qu'après l'utilisation de l'appareil, retirez le tuyau du bidon/sac et rincez la conduite d'arrivée de produit et l'injecteur avec de l'eau propre.

### 6.8. Raccordement de flexible

- Le tuyau spécial muni d'un pulvérisateur/robinet de sortie est relié au raccord rapide de sortie de l'appareil (schéma d'implantation).
- Longueur de tuyau maximale : 15 m.
- Il est recommandé de n'utiliser que des tuyaux Nilfisk FOOD, qui ont été testés pour la résistance.
- Si le tuyau de sortie d'eau est débranché pendant une période prolongée, il faut fermer l'alimentation d'eau

## 7. Procédures de fonctionnement

### 7.1. Démarrage initial

Réglage du détergent

Le réglage du détergent peut être effectué grâce à un gicleur limiteur ou à une vanne de dosage.

#### 7.1.1. Gicleur limiteur

Déposez le couvercle de l'appareil.

Le gicleur limiteur est placé dans l'embout d'aspiration du clapet anti-retour et peut être remplacé par un gicleur plus petit ou plus gros en fonction de la concentration requise.

Veillez consulter le tableau d'instructions. Remontez le couvercle dès que le réglage a été effectué.

Couleur de la buse	29 psi 2 bar	44 psi 3 bar	Hole dim.
Orange	2,8	3,2	0.25
Marron	2,3	2,7	0.23
Jaune	1,6	2,3	0.20
Turquoise	1,1	1,8	0.16
Violet	1,2	1,1	0.14
Bleu clair	0,6	1,0	0.12
Rose	0,7	0,7	0.10



Tous les tests ont été effectués avec de l'eau.

Le tableau est indicatif.

Pour obtenir la concentration tout à fait exacte, celle-ci doit être testée pendant l'utilisation.

## 8. Fonctionnement

### 8.1. Marche/Arrêt (changement, rinçage, mousse, des)

#### Démarrer Satellite

1. Contrôler que les admissions d'eau du système sont ouvertes.
2. Assurez-vous que l'alimentation en eau de l'appareil est ouverte. Dans le cas de l'alimentation en produits chimiques, elle doit également être activée.
3. Sélectionnez la fonction souhaitée. Utilisez l'appareil selon le « Guide Utilisateur

#### Arrêter Satellite

1. Fermer l'alimentation en eau



Il est important de fermer l'alimentation en eau et chimie avant de quitter la machine après utilisation.

Il peut s'avérer nécessaire de purger la tuyauterie et l'appareil en cas de mise hors service prolongée (congéls ou autres).



**ATTENTION:** L'alimentation en produits chimiques doit toujours être rincée entièrement après usage.

2. Pour éliminer les détergents et/ou résidus de désinfectants de l'alimentation en produits chimiques, procéder comme suit :

- 2.1. Retirez le bidon/sac de produit.
- 2.2. Placez le flexible dans un seau d'eau propre.
- 2.3. Activez la poignée du flexible jusqu'à ce que de l'eau propre sorte de la buse (30 secondes env.



L'alimentation en produits chimiques doit toujours être rincée entièrement après usage. (Voir 9.2

## 9. Entretien, détection des pannes et service

### 9.1. Maintenance préventive

Selon l'utilisation, l'entretien doit être effectué par un technicien de maintenance agréé au moins une fois par an afin d'éviter les défauts et les dysfonctionnements. Les techniciens agréés sont des personnes qui, en raison de leurs compétences et de leur expérience ont une connaissance suffisante des systèmes d'hygiène et sont à l'aise avec les règles nationales de sécurité du travail, la réglementation sur la prévention des accidents, des instructions et les réglementations techniques généralement reconnues telles que les normes DIN et les directives VDE. Pour votre sécurité, cet appareil de nettoyage a été fabriqué conformément à toutes les réglementations correspondantes en vigueur dans l'UE et il comporte le marquage CE. Pour plus d'informations, veuillez consulter le service clientèle.

### 9.2. Rinçage du système d'alimentation chimique/d'injection

Les résidus de détergents ou de désinfectants peuvent encrasser l'injecteur. Il doit donc être rincé ou remplacé.

Pour éliminer les détergents et/ou résidus de désinfectants de l'alimentation en produits chimiques, procéder comme suit :

1. Tenez le flacon de rinçage d'eau claire fermement contre le flexible. Vous pouvez aussi placer le flexible dans un seau d'eau propre.
2. Activez la poignée du flexible jusqu'à ce que de l'eau propre sorte de la buse (30 secondes env.).



Suivre cette procédure côté détergent côté désinfectant (s'il est installé).

### 9.3. Détartrage

- La fréquence de la procédure de détartrage dépend de la dureté de l'eau.
- Assurez-vous que l'arrivée d'eau est fermée.
- Démontez le couvercle de l'appareil.
- Démontez le bloc d'injection.
- Mettez le bloc d'injection dans un bain de détartrage - assurez-vous que la vanne de dosage (la poignée) est au-dessus de la surface.
- Attendez 60 minutes.
- Rincez le bloc dans de l'eau claire.
- Raccordez l'eau à l'appareil.
- Testez l'appareil en position moussage (Foam) et assurez-vous que le vide est suffisant, il doit être entre 14,8 - 20,7 inHg / -0.05 - 0.07 MPa.
- Testez pour vérifier que l'appareil peut démarrer et s'arrêter en mode rinçage et moussage.
- Remettez le couvercle sur l'appareil.

Vous devez respecter les fréquences de détartrage suivantes pour éviter que l'appareil ne s'entarte, ce qui pourrait entraîner son dysfonctionnement.

°dH	ppm	Temps entre chaque détartrage
0-5	18-90	12 mois
5-10	90-180	6 à 12 mois
10-15	180-270	3 à 6 mois
15-20	270-360	3 à 6 mois
>20	>360	1 à 3 mois

### 9.4. Raccordement

Il est recommandé de lubrifier toutes les pièces des raccords régulièrement (environ une fois par semaine) avec de la graisse hydrofuge pour éviter les fuites et et l'endommagement des joints. Si l'appareil est équipé d'un pulvérisateur, le piston de celui-ci doit également être lubrifié.

En cas de fuite des raccords rapides, les joints doivent être remplacés.

### 9.5. Nettoyage interne de l'appareil

Nous vous recommandons d'ouvrir et de nettoyer l'intérieur de l'appareil au moins une fois par semaine.



## 9.6. Détection des pannes et solution

Problème	Cause	Remède
Pas de pression/ pression trop faible	Insuffisant ou aucune alimentation en eau	Ouvrir la vanne d'alimentation (voir 5.1 - fermeture du robinet)
	La buse de rinçage n'est pas installée	Placer la buse de rinçage
Création de mousse insuffisante ou inexistante	Pas d'alimentation en produits dilués	Consulter les instructions d'utilisation de l'unité de dosage
	Produit non compatible	Choisir un produit compatible
	Mauvaise buse	Placer la buse de moussage
	Le clapet anti-retour est bloqué	Nettoyer et remettre le clapet anti-retour
Pas de spray de désinfection	Injecteur / chambre de mélange bloqué	Nettoyer la buse
	Pas d'alimentation en produits dilués	Consulter les instructions d'utilisation de l'unité de dosage
	Le clapet anti-retour est bloqué	Nettoyer et remettre le clapet anti-retour
	L'injecteur / la chambre de mélange est bloqué	Injecteur propre / chambre de mélange
<b><i>En cas d'erreurs/de problèmes non mentionnés ci-dessus, contactez votre technicien de maintenance local pour obtenir de l'aide.</i></b>		

## 10. Fin d'utilisation

### 10.1. Démontage

Fermez toutes les vannes d'alimentation et retirez l'appareil du mur.

### 10.2. Mise au rebut

Au cas où l'appareil doit être mis au rebut, il doit être séparé et trié entre les pièces recyclables et non recyclables.

La structure en acier peut être facilement séparée et éliminée, ainsi elle ne constitue aucun danger pour l'environnement ni pour l'utilisateur.

La mise au rebut doit être effectuée conformément à la réglementation en vigueur pour l'élimination des machines ainsi qu'à toutes les normes concernant la protection de l'environnement.



**ATTENTION:** La mise au rebut des composants électroniques et autres solutions doit être traitée de façon particulière. Ils peuvent également être éliminés par une entreprise d'élimination spécialisée.

### 10.3. Adresse du service/Garantie

#### Austria

Ecolab GmbH  
Rivergate D1/4OG  
Handelskai 92  
1200 Vienna, Austria  
Tel: +43 1 715 25 50  
Email: orderdesk@ecolab.com

#### Belgium

Ecolab N.V.  
Noordkustlaan 16C  
1702 Groot Bijgaarden  
Belgium  
Tel: +32 24675111  
Email: Info.be@Ecolab.com

#### Bulgaria

Ecolab Bulgaria FOOD  
Tsarigradsko chaussee Blv. 115A  
1784 Sofia, Bulgaria  
Tel: 359 29 76 80 30  
Email: csbulgaria@ecolab.com

#### Croatia

Ecolab s.r.o.  
Zavrtnica 17  
HR-10 000 Zagreb  
Phone: (00385) 1 63 21 600  
Fax: (00385) 1 63 21 633

#### Czech Republic

Ecolab spol. s r.o  
Voctářova 2449/5  
180 00 Praha 8, Czech Republic  
Mail: office.prague@ecolab.com  
Tel: +420 296 114 040

#### Denmark

Ecolab A/S  
Høffdingsvej 36  
2500 Copenhagen  
Phone: (0045) 36 15 85 85

#### Finland

Oy Ecolab Ab  
PO Box 123 (Palkkatilanportti 1)  
00241 Helsinki  
Finland  
Tel: +358 207561400  
Mail: fi-tilaukset@ecolab.com

#### France

Ecolab France  
23 Avenue Aristide Briand  
CS 70107  
94112 Arcueil CEDEX  
Frankreich  
Tel: +33 (0)1 49 69 65 00  
Mail: client.hrc@ecolab.com

#### Germany

Ecolab GmbH & Co. OHG  
Raiffeisenstraße 7  
833131 Siegsdorf  
Deutschland  
Tel: +49 8662 61-0  
Mail: engineering-mailbox@ecolab.com

#### Greece

Ecolab S.A  
280 Kifisias Av. and 2 Idras Str.  
15232 Halandri, Athens, Greece  
Tel: +30 210 6873700  
Email: gr-customerservice@ecolab.com

## Hungary

Ecolab Kft.  
Váci út 81-83. Center Point II.  
1139 Budapest Hungary  
Tel: +36 1 880 5610  
Mail: [custserv.eu@nalco.com](mailto:custserv.eu@nalco.com)

## Ireland

Ecolab Ltd.  
Forest Park, Mullingar Industrial  
Estate,  
Mullingar Co. Westmeath, Ireland  
Tel: +353 1 276 3500  
Email: [infoireland@ecolab.com](mailto:infoireland@ecolab.com)

## Italy

Ecolab S.r.l.  
Via Trento, 26  
20871 Vimercate - MB  
Italy  
Mail: [CSItaly.ID@ecolab.com](mailto:CSItaly.ID@ecolab.com)  
Tel: +39 039 60501

## Netherlands

Ecolab B.V.  
Oude Rhijnhofweg 17  
2342 BB Oegstgeest  
The Netherlands  
Tel: +31 (0)71 524 1100  
Mail: [NLCustomerServices@Ecolab.com](mailto:NLCustomerServices@Ecolab.com)

## Norway

Ecolab a.s  
Innspurten 9  
Postboks 6440 Etterstad  
0605 Oslo, Norway  
Tel: +47 22 68 18 00  
E-Mail: [NO-kundeservice@ecolab.com](mailto:NO-kundeservice@ecolab.com)

## Poland

Ecolab sp.z o.o.  
ul. Opolska 114  
31-323 Kraków, Poland  
Tel: +48 12 2616 100  
Email: [dok.pl@ecolab.com](mailto:dok.pl@ecolab.com)

## Portugal

Ecolab Hispano-Portuguesa  
TagusPark, Avenida Prof. Doutor  
Cavaco Silva  
Edifício Qualidade, B1-1B  
2740-122 Porto Salvo, Portugal  
Tel: +351 214 48 0750  
Mail: [atendimento.cliente.pt@ecolab.com](mailto:atendimento.cliente.pt@ecolab.com)

## Romania

Ecolab srl  
Șoseaua Păcurari 138  
Centrul de Afaceri IDEO, etaj 2  
700545 Iași, Romania  
Tel: +40 232 222 210  
Mail: [office.iasi@ecolab.com](mailto:office.iasi@ecolab.com)

## Russia

CJSC Ecolab  
Letnikovskaya str., 10, bld. 4, 6th  
floor  
115114 Moscow, Russia  
Tel: +7 495 9807060  
Mail: [Secretary.Moscow@ecolab.com](mailto:Secretary.Moscow@ecolab.com)

## Slovakia

Ecolab s.r.o.  
Cajakova 18  
81105 Bratislava  
Tel: +421 2 572049-12  
Mail: [objednavky@ecolab.com](mailto:objednavky@ecolab.com)

## **Slovenia**

Ecolab d.o.o. Maribor  
Vajngerlova 4  
Postfach 1007  
SLO-2001 Maribor  
Phone: (0038) 62 42 93 100  
Fax: (0038) 62 42 93 152

## **Ukraine – Kiev**

Ecolab LLC  
Geroiv Kosmosu Street 4. Floor 8.  
Office 805  
03148 Kiev, Ukraine  
Tel: +380 4449431-20  
Mail: orderua@ecolab.com

## **Spain**

Ecolab Hispano-Portuguesa, S.L.  
Avenida Del Baix Llobregat 3-5  
08970 Sant Joan Despi (Barcelona)  
Tel: +34 93 475 89 00  
Mail: atencion.cliente.es@ecolab.com

## **Sweden**

Ecolab AB  
Götalandsvägen 230, Hus 23  
125 24 Älvsjö  
Tel: +46 8 6032 200  
Mail: order.se@ecolab.com

## **Switzerland**

Ecolab GmbH  
Kägenstrasse 10  
CH-4153 Reinach  
Phone: (0041) 61 46 69 466  
Ch-customerservice@ecolab.com

## **Turkey**

Ecolab Turkey  
Vizyon Bulvar No: 13 Kat: 1 No: 65  
Esentepe Mah. Cevizli-Esentepe E-5  
Yanyol Cad.  
Kartal, ISTANBUL TR 34870  
Tel: + 090 216 458 6900

## Garantie

La présente garantie est accordée pour une durée de vingt-quatre (24) mois à partir de la date de livraison de l'équipement et pour une durée de douze (12) mois à compter de la date de mise en service des pièces de rechange et accessoires de l'équipement devenus impropres à l'usage en raison de vices de conception ou de fabrication. La garantie comportera le remboursement, le remplacement ou la réparation des pièces défectueuses ou endommagées dans nos installations. Les frais de transport et d'installation sont facturés. Toute pièce défectueuse doit être mise à notre disposition. Toute autre réclamation, quel qu'en soit le fondement juridique, ne sera pas prise en compte. La société déclinera toute responsabilité découlant de tout dommage causé indirectement. L'acheteur n'a pas le droit de confier la réparation de toute éventuelle pièce défectueuse à une tierce partie quelle qu'elle soit pour le compte de la société.

Aucun flexible, aucune pièce en caoutchouc ou aucun matériau synthétique, aucune usure naturelle, ni aucun dommage des suites de toute utilisation négligente ou manipulation inappropriée, y compris tout dommage dû au transport n'est couvert par la garantie. Par ailleurs, la garantie devient caduque si le poste de nettoyage a été exposé au gel. Toute modification ou réparation réalisée par une personne non autorisée quelle qu'elle soit annule toute obligation d'indemnisation au titre de la garantie. Toute réclamation aux termes de la garantie ne sera jugée recevable que si elle est déposée immédiatement après constatation d'une défectuosité. La présente garantie expire en cas de changement de propriétaire.

Ecolab ne peut être tenu responsable de tout préjudice corporel, dommage matériel, arrêt d'exploitation, y compris toute perte de production, de profits, de stocks ou autre, pouvant découler de toute livraison imparfaite ou de tout retard de livraison du produit acheté quelle qu'en soit la raison, y compris tout vice matériel et de fabrication. Veuillez également vous reporter à nos conditions générales de vente et de livraison.



# 1. Índice

<b>2. Símbolos utilizados en el documento</b> .....	64
<b>3. Información general</b> .....	65
3.1. Plaque d'identification .....	66
3.2. Proveedor .....	66
3.3. Especificaciones .....	67
<b>4. Descripción general y uso</b> .....	68
<b>5. Seguridad del sistema</b> .....	68
5.1. Válvula de cierre para el suministro de agua .....	68
5.2. Riesgo de pausa .....	69
<b>6. Instalación</b> .....	69
6.1. Antes de la instalación .....	69
6.2. Ruido .....	69
6.3. Instrucciones de montaje .....	69
6.4. Transporte .....	70
6.5. Vibraciones .....	70
6.6. Conexión del agua .....	70
6.7. Suministro de detergente .....	71
6.8. Conexión de tubo flexible .....	71
<b>7. Procedimientos operativos</b> .....	72
7.1. Puesta en marcha inicial .....	72
7.1.1. Boquilla de límite .....	72
<b>8. Funcionamiento</b> .....	72
8.1. Puesta en marcha/parada (cambio, enjuague, desinfectante) .....	72
<b>9. Mantenimiento, resolución de problemas y reparaciones</b> .....	73
9.1. Mantenimiento preventivo .....	73
9.2. Enjuague de suministro químicos/sistema de inyección .....	73
9.3. Desencaladura .....	73
9.4. Acoplamiento .....	74
9.5. Limpieza interna de la unidad .....	74
9.6. Resolución de problemas y remedio .....	75
<b>10. Herramientas</b> .....	76
10.1. Desmontado .....	76
10.2. Desechado .....	76
10.3. Dirección de servicio técnico y Garantía .....	77
<b>Piezas de requesto recomendadas</b> .....	81



## 2. Símbolos utilizados en el documento

	Leer antes de utilizar.
	Lleve gafas siempre que use la unidad.
	Use guantes y ropa adecuada cuando use la unidad.
	<b>Nota:</b> Situación potencialmente peligrosa. Posibles consecuencias: El producto o cualquier objeto que se encuentre cerca podría dañarse. Prevención.
	<b>Precaución:</b> Situación peligrosa. Posibles consecuencias: lesiones leves o menores. También puede usarse como advertencia por daños a la propiedad u otros bienes.
	<b>Advertencia:</b> Situación potencialmente peligrosa. Posibles consecuencias: Fallecimiento o lesiones graves. Prevención.
	<b>Peligro:</b> Situación peligrosa. Posibles consecuencias: Fallecimiento o lesiones graves. Prevención.
	<b>Peligro:</b> Advertencia Bordes afilados. Cuidado con los dedos.

### 3. Información general

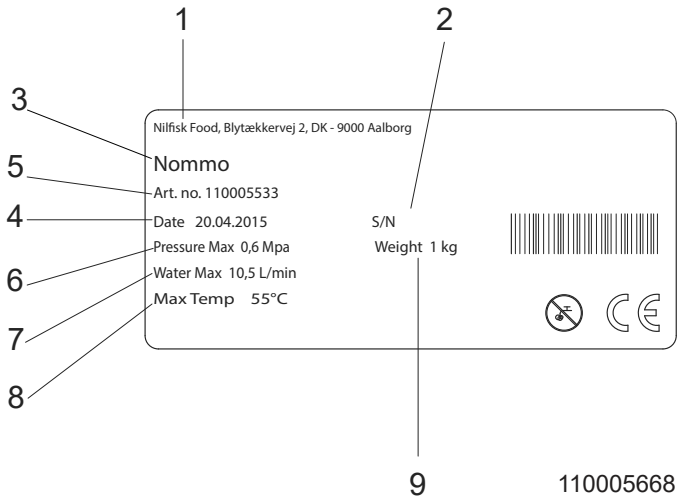
Nilfisk FOOD le felicita por la adquisición de su nuevo equipo de limpieza a baja presión.

El equipo incluye el mejor estándar de tecnología de equipos de limpieza a baja presión de nuestra fábrica.

El equipo puede utilizarse para el lavado, el enjuagar, y aplicar desinfectantes.

Es importante que su personal operativo lea estas instrucciones de uso antes de instalar, arrancar y utilizar el equipo.

### 3.1. Plaque d'identification



1. Fabricante
2. Núm. de serie
3. Nombre del producto
4. Fecha de fabricación
5. Núm. de artículo
6. Presión máxima
7. Consumo máximo de agua
8. Temperatura máxima
9. Peso

### 3.2. Proveedor

Nilfisk FOOD  
Blytækkervej 2,  
DK-9000 Aalborg, Dinamarca  
Tel.: +45 7218 2000  
CVR no. 6257 2213  
[www.nilfiskfood.com](http://www.nilfiskfood.com)

### 3.3. Especificaciones

<b>Datos técnicos</b>	
<b>Agua</b>	
Tipo de conexión de entrada	ISO 228/1-G 1/2
Tipo de conexión de salida	3/4" GHT (ASME B1.20.7 3/4"-11,5NH)
Consumo de agua - espumado	5,2 l/min @3 bar
Consumo de agua - pulverización	5,2 l/min @3 bar
Consumo de agua - enjuague	10,5 l/min @3 bar
Min. presión de entrada	2 bar @ 5,1 l/min
Máx. presión de entrada	6 bar
Máx. temperatura de agua	55°C
<b>Boquillas (Recomendadas)</b>	
Boquilla de enjuague	25/50 lance 23cm
Boquilla de espumado	Topjet
Boquilla de pulverización	25/50 lance 23 cm
<b>General</b>	
Número de productos	2
Máx. longitud de la manguera (recomendada)	15 m
Nivel de ruido ISO 11202	Inferior 70DB
Peso	1 kg
Dimensiones Al x An x F	173x205x119 mm

## 4. Descripción general y uso

La unidad Nommo es una completa unidad de limpieza con agua. La unidad requiere un suministro suficiente de agua, detergente y desinfectante.

### Consumo:

La unidad está aprobada para el uso de detergentes y desinfectantes.



**Advertencia:** No cambie los ajustes efectuados o recomendados por el proveedor de los detergentes.

Los detergentes se suministran en bolsas/envases estándar independientes. El suministro también es posible a través de sistemas de tuberías.

Antes de la instalación y de la configuración de la unidad, debe leer todas estas instrucciones. Asegúrese siempre de seguir los procedimientos de seguridad personal para los productos químicos relacionados con los procedimientos de rellenado (cambio de producto), mantenimiento y reparaciones. Véase también la etiqueta del producto y la ficha MSDS.

### Instrucciones de seguridad

Solo el personal de servicio técnico profesional está autorizado para efectuar los trabajos de mantenimiento y reparaciones de la unidad.

Solo el personal instruido está autorizado para hacer funcionar la máquina.

## 5. Seguridad del sistema

En caso de error o defecto de funcionamiento del equipo:

- Cierre el suministro de agua.

### 5.1. Válvula de cierre para el suministro de agua

Con esta válvula, la unidad se puede aislar del suministro de agua. Nous recommandons le montage d'un filtre avec un clapet antiretour à l'entrée pour prévenir le retour d'eau.



Lleve gafas siempre que use la unidad.



Use guantes y ropa adecuada cuando use la unidad.

Consejos de uso de las válvulas de retención de agua:

- La válvula de cierre del agua de la unidad o conectada a ella debe cerrarse siempre cuando no se utilice.
- Después de la utilización de la unidad, se deben enjuagar muy bien con agua limpia las válvulas de retención de productos químicos. Siga las instrucciones del párrafo 9.2.
- Las válvulas de retención de agua se deben someter a comprobaciones de defectos como mínimo una vez al año por personal autorizado.

### Reparación de la unidad:

- No intente reparar una unidad defectuosa usted mismo. Póngase en contacto con una empresa de servicio técnico autorizada.
- Bloquee y marque cualquier unidad defectuosa para evitar su uso no deseado; véase el párrafo siguiente "Riesgo de pausa - Uso de la unidad".
- Por motivos de seguridad, utilice únicamente piezas de recambio autorizadas y originales.
- Nunca se debe utilizar la unidad con la tapa frontal colocada.

## 5.2. Riesgo de pausa

### Uso de la unidad:

- Nunca use la unidad sin haber leído previamente sus instrucciones de uso y de seguridad. Las instrucciones deben ser elaboradas por personal formado/ cualificado.
- Nunca utilice la unidad sin haber leído primero la guía e instrucciones de seguridad adjuntas.
- Cierre siempre el suministro del agua después de su uso.

### Unidad dañada:

- Nunca utilice la unidad si se observan fugas (de agua o productos químicos).
- Nunca use la unidad si no se pueden poner en marcha las válvulas de cierre o si no es posible seleccionar la función necesaria.
- Nunca utilice la unidad si se ha desalojado de su lugar de instalación o montaje original.

## 6. Instalación

### 6.1. Antes de la instalación

Cuando vaya a montar la unidad, tiene que asegurarse de que la capacidad de carga de la pared será suficiente.

**i** Debe aclarar la tubería antes de conectar el sistema.

**i** Retire la cubierta antes de montar el sistema en la pared.

Por motivos de seguridad, es importante que lea la información incluida antes de instalar el equipo. Además, la legislación vigente en el momento de la compra también debe tenerse en cuenta en relación con la instalación y montaje de este equipo, con independencia del contenido de este manual. En caso de conflictos, póngase en contacto con su distribuidor.

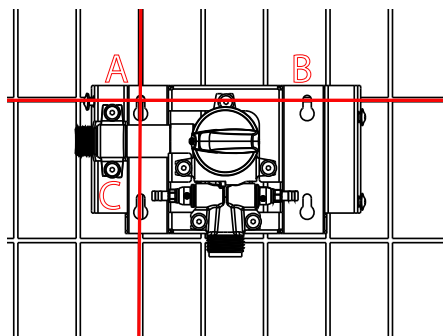
### 6.2. Ruido

El nivel de sonido respeta la normativa ISO 11202; es decir, ser inferior a los 70 dB.

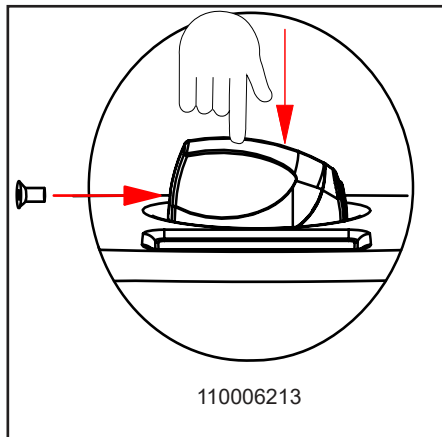
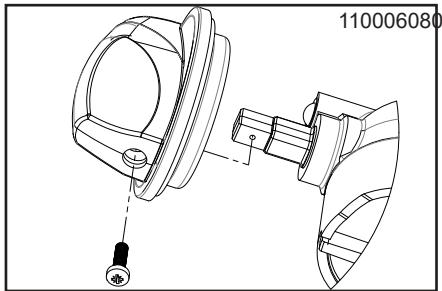
### 6.3. Instrucciones de montaje

- i** La unidad debe colocarse solo en espacios que nunca alcancen temperaturas bajo cero.
- La unidad puede montarse en una pared o marco independiente que se puede instalar en áreas de producción, así como anclarse al suelo.
- Para el montaje en las paredes, debe tenerse en cuenta lo siguiente:
- La pared de montaje debe estar hecha de ladrillo estable o de hormigón.
- La unidad siempre debe montarse de acuerdo con la ilustración 110005640 (pagina 87),
- El soporte suministrado debe asegurarse a la pared mediante los tornillos incluidos y las correspondientes espigas.
- ¡Es MUY importante que el soporte de pared se monte con LOS 4 tornillos incluidos!

Si la unidad se va a montar en una pared de azulejos y desea evitar perforar y así destruir los azulejos, puede colocar ventajosamente el orificio superior en una cruz entre 2 juntas (A). Por lo tanto, los orificios para (B) y (C) se colocarán en una junta.



- El soporte de pared debe montarse en la pared según la descripción anterior y la estación debe quedar colgada en el soporte. Los soportes del tubo flexible y del producto deben montarse posteriormente.
- El tornillo del botón debe quedar alineado con el pequeño orificio del eje.
- Presione el botón mientras aprieta el tornillo
- (ver la ilustración 110006080 y 110006213)



## 6.4. Transporte

Para un transporte seguro de la unidad, recomendamos asegurarse siempre de que la unidad no pueda deslizarse ni inclinarse. La unidad debe asegurarse mediante correas.

Transporte de la unidad solo en posición horizontal. La unidad no debe colocarse sobre la parte delantera, donde se encuentra el panel de operación. Tampoco se puede colocar sobre la parte superior ni inferior donde se encuentran las conexiones y salidas.

En caso de trasladarse a temperaturas de aproximadamente 0° C (32° F) o inferiores, debe asegurarse de haber vaciado por completo el agua de la unidad. En caso contrario, puede dañarse la unidad.

## 6.5. Vibraciones

Las vibraciones mano-brazo deben respetar la normativa ISO 5349-1.

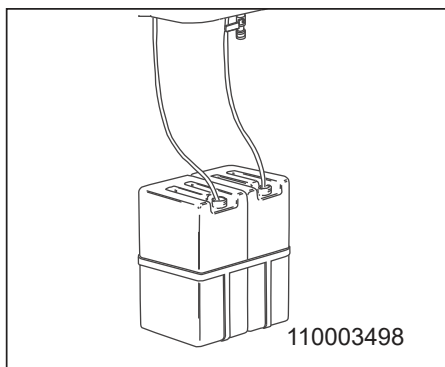
## 6.6. Conexión del agua

- Antes de conectar la unidad al tubo de suministro de agua, la línea de suministro debe enjuagarse muy bien para eliminar las impurezas de suciedad y virutas de metal.
- La conexión del agua debe realizarse en el lado de la unidad (véase el dibujo de la distribución).
- El diámetro interno mínimo del conducto del suministro debe ser al menos de media 1/2" en el exterior (16 mm en el interior).
- La pérdida de presión en la línea de suministro debe reducirse todo lo posible
  - evitando conductos de suministro largos
  - instalando válvulas de bola de resistencia de baja presión y
  - evitando accesorios con gran pérdida de presión.
- Al instalar las tuberías, preste atención para evitar bloqueos del aire.
- Todas las conexiones de la unidad deben ser conexiones atornilladas que aseguren un mantenimiento y desmantelado de la estación sencillos.

Temperatura máx. permitida para el suministro de agua:	55°C
Presión máx. permitida para el suministro de agua:	6 bar
Consumo de agua en el modo de enjuague:	10,5 l/min



**i** Para un funcionamiento óptimo del sistema de inyección y para evitar impurezas en el agua, recomendamos instalar el filtro incluido



### 6.7. Suministro de detergente Satélite

Cómo conectar las mangueras de succión química:

- Detergente en el lado derecho
- Desinfectante en el lado izquierdo

ver la ilustración más abajo.

- Coloque la bolsa/envase con detergente en el soporte para el producto.
- Compruebe que no haya impurezas en el filtro de succión.
- Coloque el tubo flexible de succión en la bolsa/envase por debajo del nivel de producto y evite la succión de aire. Véase el esquema núm. 110003498
- Después de un pre-enjuague, vuelva a comprobar que el tubo flexible se encuentre lo suficientemente por debajo del nivel de producto y evite la succión de aire durante la operación de enjabonado o pulverización.
- Después del uso y cuando se cambie de producto, así como después de utilizar la unidad, quite el tubo flexible de la bolsa/envase y enjuague la línea de entrada de producto y el sistema de inyección con agua limpia.

### 6.8. Conexión de tubo flexible

- El tubo flexible especial con válvula de salida/pistola de pulverización está conectado a la salida mediante un rápido acoplamiento de la unidad (dibujo de la distribución).
- Longitud máxima del tubo flexible: 15 m.
- Se recomienda usar exclusivamente tubos flexibles Nilfisk FOOD ya que resistencia ha sido probada.

Si va a desacoplar la manguera por un tiempo prolongado, cierre la llave del agua



## 7. Procedimientos operativos

### 7.1. Puesta en marcha inicial

Ajuste del detergente

El ajuste del detergente se puede hacer por medio de una boquilla de límite o una válvula de cierre.

#### 7.1.1. Boquilla de límite


Retire la cubierta de la unidad.

La boquilla de límite se encuentra en la toma de succión de la válvula antirretorn y se puede sustituir por una boquilla más grande o más pequeña, en función de la concentración necesaria.

Siga las instrucciones de la tabla.

Vuelva a poner la cubierta cuando haya llevado a cabo los ajustes.

Color de las boquillas	29 psi 2 bar	44 psi 3 bar	Hole dim.
Naranja	2,8	3,2	0.25
Marrón	2,3	2,7	0.23
Amarillo	1,6	2,3	0.20
Turquesa	1,1	1,8	0.16
Violeta	1,2	1,1	0.14
Azul claro	0,6	1,0	0.12
Rosa	0,7	0,7	0.10

 Todas las pruebas se han llevado a cabo con agua.

Esta tabla es orientativa. La concentración exacta se obtendrá ajustándola en función de los resultados de su aplicación.

## 8. Funcionamiento


### 8.1. Puesta en marcha/parada (cambio, enjuague, desinfectante)

#### Puesta en marcha de la estación satélite


1. Compruebe que los suministros de agua del sistema están abiertos.
2. Asegúrese de que el suministro de agua a la unidad esté abierto. En caso de suministro central de productos químicos, este también debe estar activado.
3. Seleccione la función deseada. Utilice la unidad según la "Guía de usuario".

#### Parada de la estación satélite


4. Cierre el suministro de agua.

 Es importante cerrar el suministro de agua y la química al terminar de utilizar la unidad.

Puede que sea necesario purgar las tuberías y la unidad si esta última ha estado cerrada durante un período de tiempo prolongado (por ejemplo, en vacaciones, etc.).

 **PRECAUCIÓN:** La toma de suministro de productos químicos deberá enjuagarse siempre después de su uso.

5. Siga este procedimiento para limpiar la toma de posibles restos de detergente o desinfectante.
  - 5.1. Retire la bolsa/envase del producto.
  - 5.2. Coloque el tubo flexible en un cubo con agua limpia.
  - 5.3. Active el mango del tubo flexible hasta observar que sale agua limpia por la boquilla (unos 30 segundos aproximadamente).

 La toma de suministro de productos químicos deberá enjuagarse siempre después de su uso. (Consulte 9.2)

## 9. Mantenimiento, resolución de problemas y reparaciones

### 9.1. Mantenimiento preventivo

En función del uso, el mantenimiento debe ser efectuado por un ingeniero de servicio técnico autorizado una vez al año como mínimo, para evitar defectos y fallos de la operación. Los ingenieros autorizados son personas que, debido a su cualificación y experiencia, tienen un conocimiento suficiente de los sistemas de higiene y conocen las principales normativas de seguridad, reglamentos de prevención de accidentes y líneas y, generalmente están al tanto de reglamentos técnicos como las normas DIN y estipulaciones VDE. Por su seguridad, esta unidad de limpieza ha sido fabricada según todas las normativas relevantes válidas en la UE y, por tanto, se suministra con el sello de la CE. Para obtener más información, póngase en contacto con el departamento de servicio técnico.

### 9.2. Enjuague de suministro químicos/sistema de inyección

Los restos de detergentes o desinfectantes pueden taponar el sistema de inyección, haciendo necesario su enjuague, o incluso su sustitución. Siga este procedimiento para limpiar la toma de posibles restos de detergente o desinfectante.

1. Sujete firmemente la botella de enjuague previamente llena de agua limpia junto al tubo flexible. Como método alternativo, puede colocar el tubo flexible en un cubo con agua limpia.
2. Active el mango del tubo flexible hasta observar que sale agua limpia por la boquilla (unos 30 segundos aproximadamente).



Este procedimiento deberá seguirse tanto en el extremo del detergente como del desinfectante (en caso de haberse instalado).

### 9.3. Desencaladura

- El intervalo de procedimientos de desencaladura depende de la dureza del agua usada.
- Asegúrese de que el suministro de agua a la unidad está desconectado.
- Retire la cubierta de la unidad.
- Desmante el bloque del sistema de inyección.
- Coloque el bloque del sistema de inyección en un baño de desencalado y asegúrese de que la válvula de dosificación (botón) quede sobre la superficie.
- Espere 60 minutos.
- Enjuague el bloque con agua limpia.
- Conecte el agua a la unidad.
- Pruebe la unidad en posición Foam (Espuma). Asegúrese de que hay suficiente vacío, se recomienda que esté entre 14,8 - 20,7 inHg / -0.05 - 0,07 MPa.
- Compruebe que la unidad se enciende y apaga en posición Foam (Espuma) y Rinse (Aclarado).
- Vuelva a poner la tapa a la unidad.

Debe cumplir con los siguientes intervalos de desencalado para prevenir una acumulación de cal en la unidad que podría hacer que dejara de funcionar.

°dH	ppm	Tiempo entre desencaladuras
0-5	18-90	12 meses
5-10	90-180	6 a 12 meses
10-15	180-270	3 a 6 meses
15-20	270-360	3 a 6 meses
>20	>360	1 a 3 meses

#### **9.4. Acoplamiento**

Se recomienda lubricar todas las partes de acoplamiento de forma regular (una vez a la semana, aproximadamente) con lubricante impermeable para evitar fugas y daños de las juntas tóricas. Si la unidad está equipada con una pistola pulverizadora, también se debe lubricar el pistón de la pistola. Deben sustituirse los acoplamientos rápidos que presenten fugas.

#### **9.5. Limpieza interna de la unidad**

Recomendamos abrir y limpiar la unidad por dentro una vez a la semana como mínimo.

## 9.6. Resolución de problemas y remedio

Fallo	Causa	Remedio
Ausencia de presión/presión demasiado baja	Suministro de agua insuficiente o inexistente	Abra la válvula de suministro de agua (Consulte 5.1 - Cierre de la válvula)
	La boquilla de enjuague no se ha instalado	Coloque la boquilla de enjuague
Creación de espuma insuficiente o inexistente	No hay suministro de productos diluidos	Consulte las instrucciones de uso de la unidad dosificadora
	No apto	Seleccione un producto adecuado
	Boquilla incorrecta	Coloque la boquilla para espuma
	Válvula de retención bloqueada	Limpie o sustituya la válvula de retención
Ausencia de desinfección en spray	Inyector/cámara de mezclado bloqueados	Limpie la boquilla
	No hay suministro de productos diluidos	Consulte las instrucciones de uso de la unidad dosificadora
	Válvula de retención bloqueada	Limpie o sustituya la válvula de retención
	Inyector/cámara de mezclado bloqueados	Limpie el Inyector/cámara de mezclado
<b><i>En caso de errores/problemas no mencionados anteriormente, póngase en contacto con su técnico de Ecolab para obtener más ayuda.</i></b>		

## 10. Herramientas

### 10.1. Desmontado

Cierre todas las válvulas de suministro y retire la unidad de la pared.

### 10.2. Desechado

En caso de tener que desechar la unidad, debe separarse y clasificarse en piezas reciclables y no reciclables.

La estructura de acero se puede separar y desechar fácilmente y no constituye ningún peligro para el medio ambiente ni para el usuario.

El desechado se debe realizar según las normas y reglamentos de desechado de máquinas vigentes, así como todos los estándares relacionados con la protección del medio ambiente.



**PRECAUCIÓN:** El desechado de componentes electrónicos y otros remedios debe ser manejado de forma especial. Asimismo, se puede llevar a una empresa especialista en desechos.

### 10.3. Dirección de servicio técnico y

#### Garantía

#### Austria

Ecolab GmbH  
Rivergate D1/4OG  
Handelskai 92  
1200 Vienna, Austria  
Tel: +43 1 715 25 50  
Email: orderdesk@ecolab.com

#### Belgium

Ecolab N.V.  
Noordkustlaan 16C  
1702 Groot Bijgaarden  
Belgium  
Tel: +32 24675111  
Email: Info.be@Ecolab.com

#### Bulgaria

Ecolab Bulgaria FOOD  
Tsarigradsko chaussee Blv. 115A  
1784 Sofia, Bulgaria  
Tel: 359 29 76 80 30  
Email: csbulgaria@ecolab.com

#### Croatia

Ecolab s.r.o.  
Zavrtnica 17  
HR-10 000 Zagreb  
Phone: (00385) 1 63 21 600  
Fax: (00385) 1 63 21 633

#### Czech Republic

Ecolab spol. s r.o  
Voctářova 2449/5  
180 00 Praha 8, Czech Republic  
Mail: office.prague@ecolab.com  
Tel: +420 296 114 040

#### Denmark

Ecolab A/S  
Høffdingsvej 36  
2500 Copenhagen  
Phone: (0045) 36 15 85 85

#### Finland

Oy Ecolab Ab  
PO Box 123 (Palkkatilanportti 1)  
00241 Helsinki  
Finland  
Tel: +358 207561400  
Mail: fi-tilaukset@ecolab.com

#### France

Ecolab France  
23 Avenue Aristide Briand  
CS 70107  
94112 Arcueil CEDEX  
Frankreich  
Tel: +33 (0)1 49 69 65 00  
Mail: client.hrc@ecolab.com

#### Germany

Ecolab GmbH & Co. OHG  
Raiffeisenstraße 7  
833131 Siegsdorf  
Deutschland  
Tel: +49 8662 61-0  
Mail: engineering-mailbox@ecolab.com

#### Greece

Ecolab S.A  
280 Kifisias Av. and 2 Idras Str.  
15232 Halandri, Athens, Greece  
Tel: +30 210 6873700  
Email: gr-customerservice@ecolab.com

## Hungary

Ecolab Kft.  
Váci út 81-83. Center Point II.  
1139 Budapest Hungary  
Tel: +36 1 880 5610  
Mail: custserv.eu@nalco.com

## Ireland

Ecolab Ltd.  
Forest Park, Mullingar Industrial  
Estate,  
Mullingar Co. Westmeath, Ireland  
Tel: +353 1 276 3500  
Email: infoireland@ecolab.com

## Italy

Ecolab S.r.l.  
Via Trento, 26  
20871 Vimercate - MB  
Italy  
Mail: CSItaly.ID@ecolab.com  
Tel: +39 039 60501

## Netherlands

Ecolab B.V.  
Oude Rhijnhofweg 17  
2342 BB Oegstgeest  
The Netherlands  
Tel: +31 (0)71 524 1100  
Mail: NLCustomerServices@Ecolab.  
com

## Norway

Ecolab a.s  
Innspurten 9  
Postboks 6440 Etterstad  
0605 Oslo, Norway  
Tel: +47 22 68 18 00  
E-Mail: NO-kundeservice@ecolab.  
com

## Poland

Ecolab sp.z o.o.  
ul. Opolska 114  
31-323 Kraków, Poland  
Tel: +48 12 2616 100  
Email: dok.pl@ecolab.com

## Portugal

Ecolab Hispano-Portuguesa  
TagusPark, Avenida Prof. Doutor  
Cavaco Silva  
Edifício Qualidade, B1-1B  
2740-122 Porto Salvo, Portugal  
Tel: +351 214 48 0750  
Mail: atendimento.cliente.pt@ecolab.  
com

## Romania

Ecolab srl  
Șoseaua Păcurari 138  
Centrul de Afaceri IDEO, etaj 2  
700545 Iași, Romania  
Tel: +40 232 222 210  
Mail: office.iasi@ecolab.com

## Russia

CJSC Ecolab  
Letnikovskaya str., 10, bld. 4, 6th  
floor  
115114 Moscow, Russia  
Tel: +7 495 9807060  
Mail: Secretary.Moscow@ecolab.  
com

## Slovakia

Ecolab s.r.o.  
Cajakova 18  
81105 Bratislava  
Tel: +421 2 572049-12  
Mail: objednavky@ecolab.com

## **Slovenia**

Ecolab d.o.o. Maribor  
Vajingerlova 4  
Postfach 1007  
SLO-2001 Maribor  
Phone: (0038) 62 42 93 100  
Fax: (0038) 62 42 93 152

## **Ukraine – Kiev**

Ecolab LLC  
Geroiv Kosmosu Street 4. Floor 8.  
Office 805  
03148 Kiev, Ukraine  
Tel: +380 4449431-20  
Mail: orderua@ecolab.com

## **Spain**

Ecolab Hispano-Portuguesa, S.L.  
Avenida Del Baix Llobregat 3-5  
08970 Sant Joan Despi (Barcelona)  
Tel: +34 93 475 89 00  
Mail: atencion.cliente.es@ecolab.com

## **Sweden**

Ecolab AB  
Götalandsvägen 230, Hus 23  
125 24 Älvsjö  
Tel: +46 8 6032 200  
Mail: order.se@ecolab.com

## **Switzerland**

Ecolab GmbH  
Kägenstrasse 10  
CH-4153 Reinach  
Phone: (0041) 61 46 69 466  
Ch-customerservice@ecolab.com

## **Turkey**

Ecolab Turkey  
Vizyon Bulvar No: 13 Kat: 1 No: 65  
Esentepe Mah. Cevizli-Esentepe E-5  
Yanyol Cad.  
Kartal, ISTANBUL TR 34870  
Tel: + 090 216 458 6900



## Garantía

La garantía cubre un periodo de 24 meses desde la entrega del equipo y 12 meses desde la puesta en funcionamiento de los repuestos y accesorios del equipo que resulten inadecuados debido a defectos de diseño o fabricación. La garantía consiste en el reembolso, sustitución o reparación de la pieza dañada o defectuosa por nuestra parte.

Se cobran la instalación y los costes de transporte. Las piezas defectuosas serán sustituidas por nuestra cuenta. No se admitirá ninguna demanda por motivos legales. La empresa no aceptará responsabilidad alguna por los daños producidos de manera indirecta. El comprador no tiene derecho a que un tercero repare los posibles defectos a nuestra cuenta.

La garantía no cubre las mangueras, las piezas de goma ni los materiales sintéticos, el desgaste natural ni los daños provocados por un tratamiento inadecuado y despreocupado, incluidos los daños de transporte.

Además, la garantía no se aplica si la estación de limpieza ha sufrido heladas. La obligación de compensación de la garantía de las lesiones personales, daños en el equipo, déficits de trabajo, incluida la pérdida de producción, la pérdida de beneficios, la pérdida de stock o similares que puedan producirse por una entrega retrasada o imperfecta del producto vendido, independientemente del motivo, incluidos defectos materiales y de fabricación. Consulte nuestras condiciones estándar de venta y entrega.

**Español (ES)**

**Français (FR)**

**Deutsch (DE)**

**English (EN)**

**Spare parts**  
**Ersatzteile**  
**Pièces de rechange**  
**Piezas de requesto**

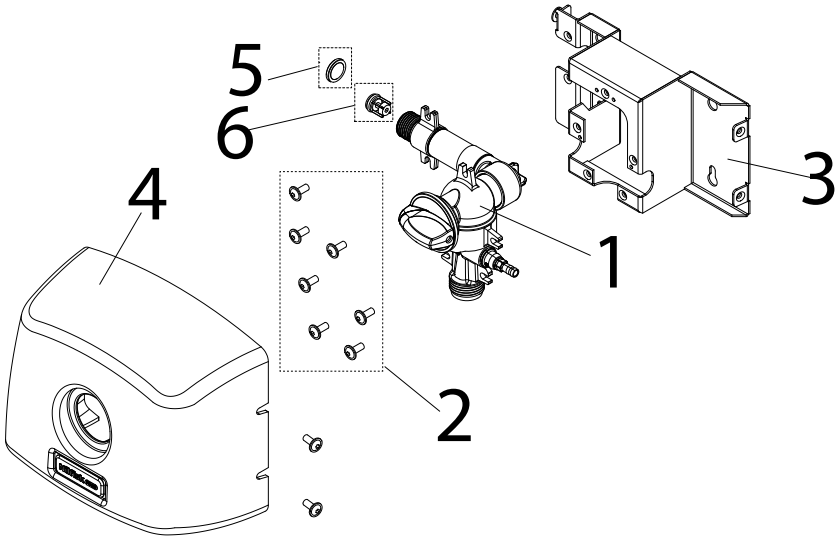
**English (EN)**

**Deutsch (DE)**

**Français (FR)**

**Español (ES)**

# Nommo



110005635B

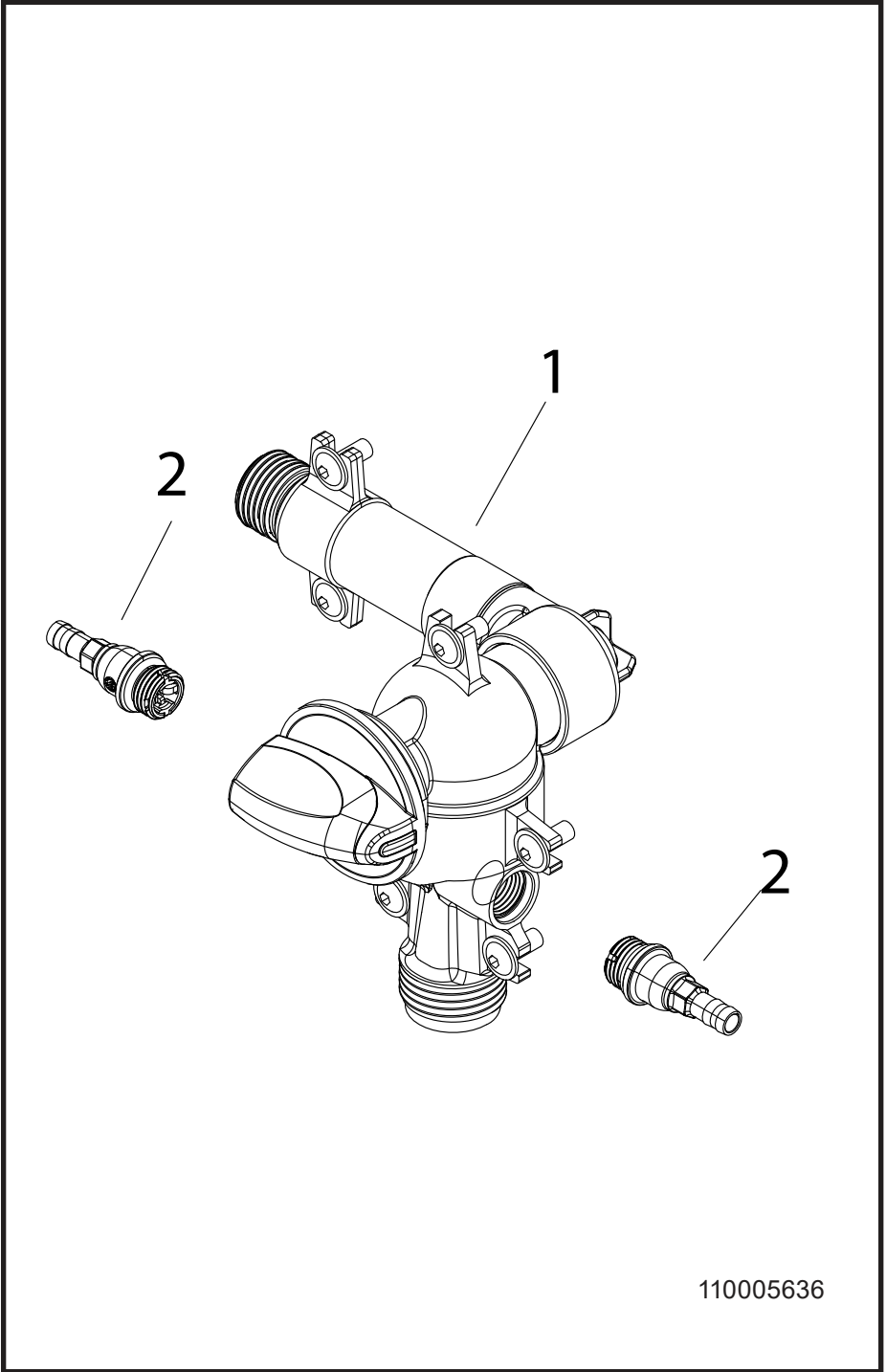
Pos./Ref.	Nr. No.	Description Désignation Designación		
1		See page 84		
2	110005653	Screw kit for cleaning station Nommo		
3	110005532	Wallbracket		1
4	110005652	Cover Complete		1
5	110005813	Water filter		
6	110006089	Water check valve kit with o-ring		

English (EN)

Deutsch (DE)

Français (FR)

Español (ES)



110005636

	Pos./Ref.	Nr. No.	Description Désignation Designación		
	1	110005650	Block complete		
	2	110004434	Chemical non return valve		2

English (EN)

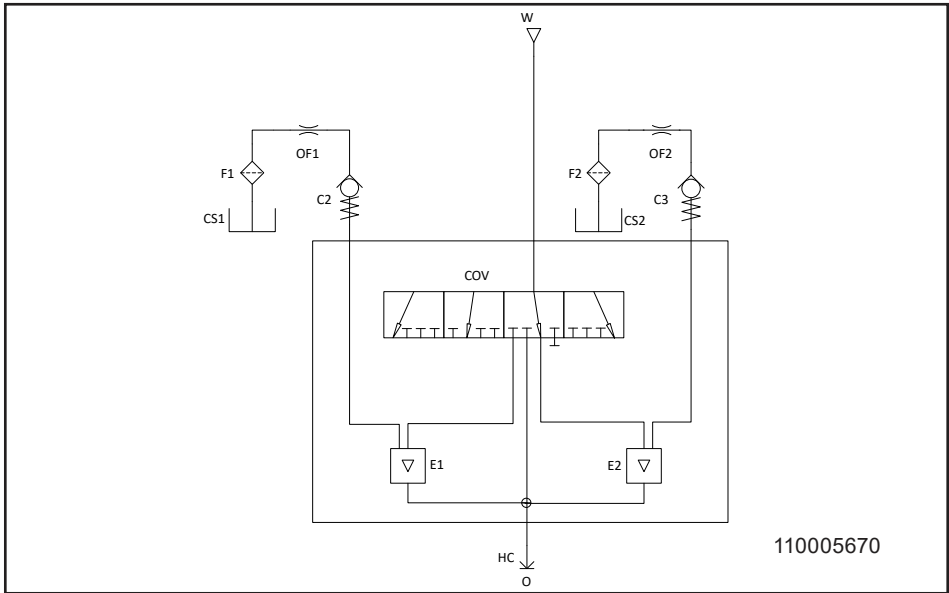
Deutsch (DE)

Français (FR)

Español (ES)

# Operating Diagrams

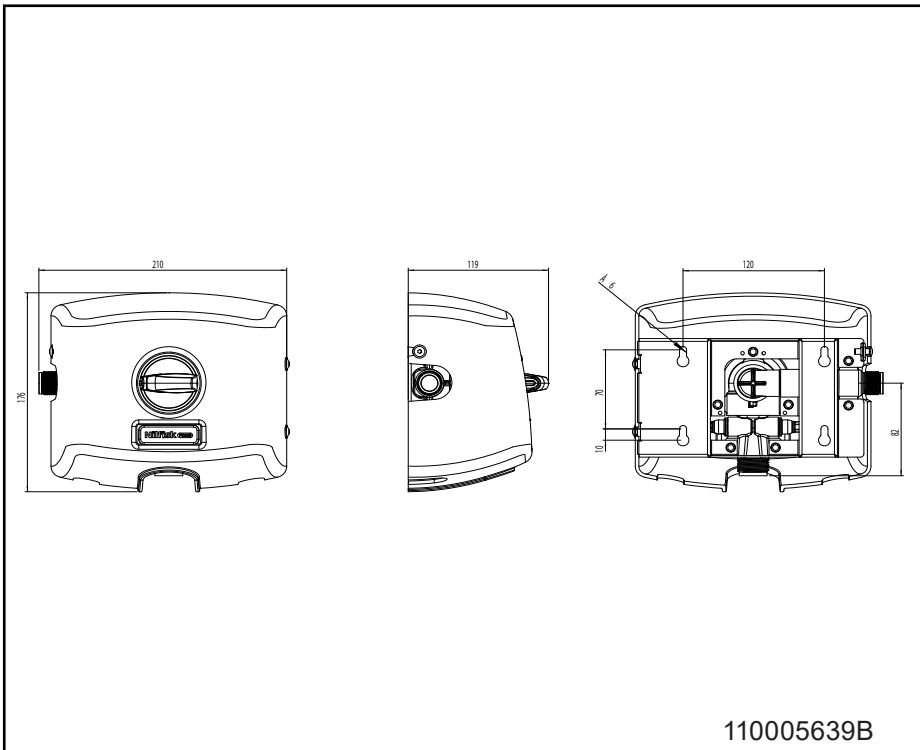
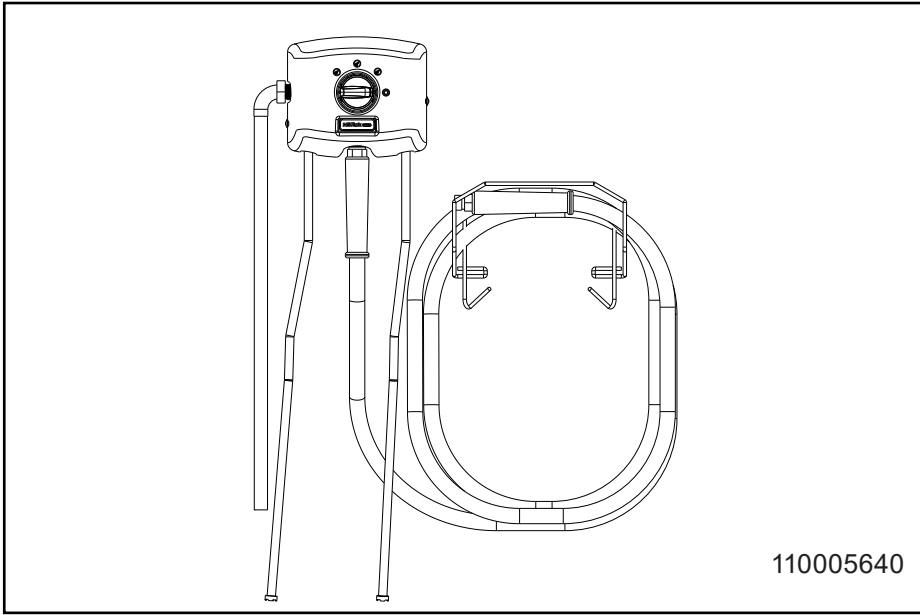
## Nommo



	English	Deutsch	Français	Español
B	Ball valve	Kugelventil	Clapet à bille	Válvula esférica
C	Check valve	Rückschlagventil	Soupape de non retour	Válvula de retención
COV	Change over valve	Umschaltventil	Robinet coupleur	Válvula de conmutación
CS	Chemical supply	Chemieversorgung	Fourniture de produits chimiques	Toma de suministro de productos químicos
E	Ejector	Ejektor	Ejecteur	Eyector
F	Filter	Filter	Filtre	Filtro
HC	Hose connection	Schlauchanschluss	Connexion flexible	Conexión de tubo flexible
O	Outlet	Auslass	Sortie	Salida
OF	Orifice	Düse	Orifice	Orificio
W	Water inlet	Wassereinlass	Admission d'eau	Toma de agua



# Installation



English (EN)

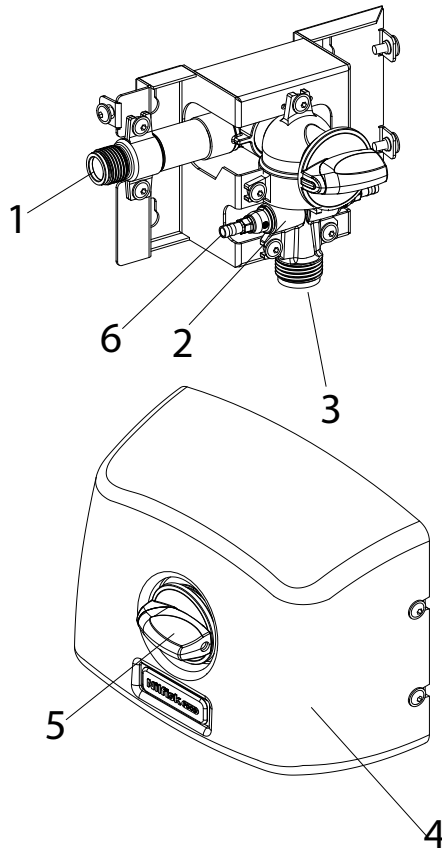
Deutsch (DE)

Français (FR)

Español (ES)

# Layout Nommo

## Nommo



110005649B

	English	Deutsch	Français	Español
1	Water inlet	Wassereinlass	Entrée d'eau	Entrada de agua
2	Duo block	Multi-Block	Multi block	Bloque múltiple
3	Water outlet	Wasserauslass	Sortie d'eau	Salida de agua
4	Cover	Abdeckung	Couvercle	Cubierta
5	Operation button	Bedientaste	Bouton de commande	Botón de funcionamiento
6	Foam	Schaum	Mousse	Espuma
7	Sanitize	Desinfizieren	Desinfecter	Sanitizznte

Printed in Denmark

No.: 110005142R 11/2021  
Serial no.: 115.01.000XXX

© 2015 All rights reserved

**ECOLAB®**