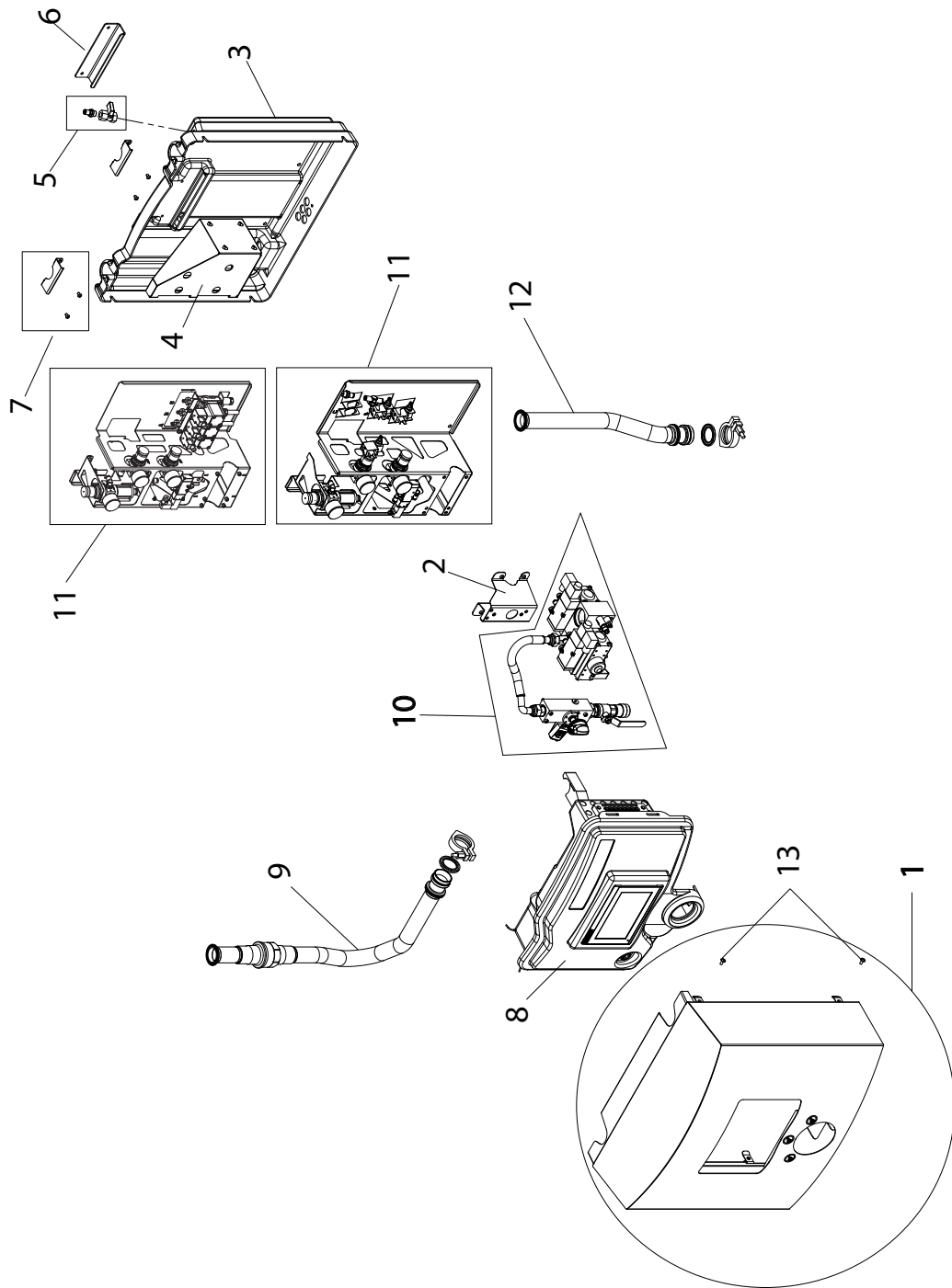


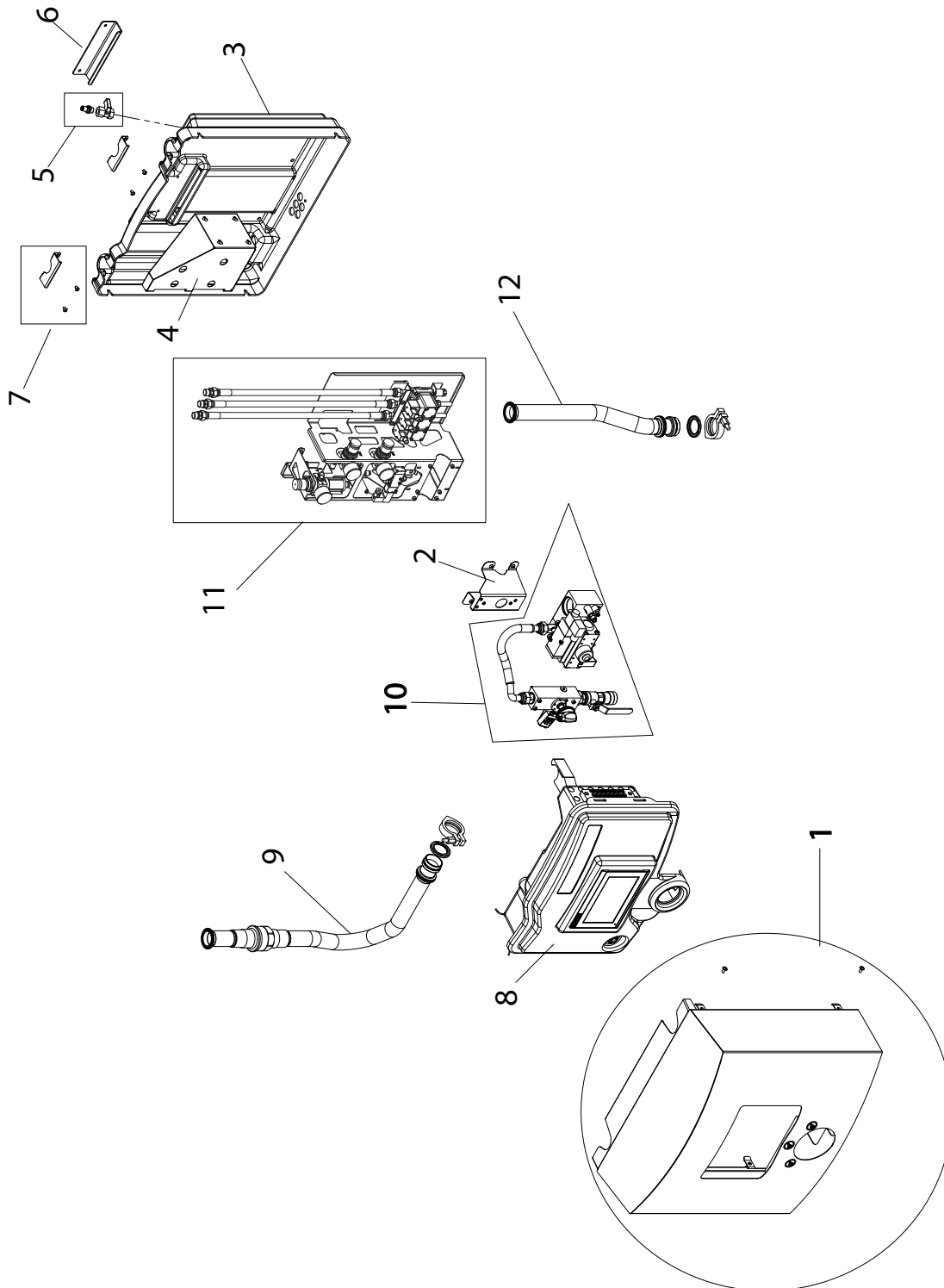
Spare Part List

Hybrid Foamatic
SA2, SA3, SA2C, SA3C, SA2M, SA3M, SA2CM, SA3CM



Pos./Ref.	Nr. No.	Description Beschreibung Désignation Designación	Hybrid Foamatic SA2	Hybrid Foamatic SA3	Hybrid Foamatic SA2C	Hybrid Foamatic SA3C	Hybrid Foamatic SA2M	Hybrid Foamatic SA3M	Hybrid Foamatic SA2CM	Hybrid Foamatic SA3CM
1	110005284	Cover complete	1	1	1	1	1	1	1	1
2	110004949	Bracket manual block					1	1	1	1
3	110004964	Back part	1	1	1	1	1	1	1	1
4	110005088	Bracket	1	1	1	1	1	1	1	1
5	110001105	Closing valve	1	1	1	1	1	1	1	1
6	110001066	Wall bracket	1	1	1	1	1	1	1	1
7	110005280	Bracket	2	2	2	2	2	2	2	2
8		See page 242 drawing 110005253								
9		See page 246 drawing 110004316								
10		See page 234-240 drawing 110004383 / 110004572								
11		See page 248 see drawing 110005272 Serial no. → 112.01.000423								
11		See page 250 see drawing 110008157 Serial no. 112.02.000423 →								
12		See page 246								
13	110003512 (110005284)	Screw kit								

Hybrid Foamatic
 SA2PD, SA3PD, SA2CPD, SA3CPD, SA2MPD, SA3MPD, SA2CMPD, SA3CMPD



110005158

Pos./Ref.	Nr. No.	Description Beschreibung Désignation Designación	Hybrid Foamatic SA2PD	Hybrid Foamatic SA3PD	Hybrid Foamatic SA2CPD	Hybrid Foamatic SA3CPD	Hybrid Foamatic SA2MPD	Hybrid Foamatic SA3MPD	Hybrid Foamatic SA2CMPD	Hybrid Foamatic SA3CMPD
1	110005284	Cover complete	1	1	1	1	1	1	1	1
2	110004949	Bracket manual block					1	1	1	1
3	110004964	Back part	1	1	1	1	1	1	1	1
4	110005088	Bracket	1	1	1	1	1	1	1	1
5	110001105	Closing valve	1	1	1	1	1	1	1	1
6	110001066	Wall bracket	1	1	1	1	1	1	1	1
7	110005280	Bracket	2	2	2	2	2	2	2	2
8		See page 242 drawing 110005253								
9		See page 246 drawing 110004316								
10		See page 234-240 drawing 110004383 / 110004572								
11		See page 252 see drawing 110008157								
12		See page 246	1	1	1	1	1	1	1	1
13	110003512 (110005284)	Screw kit								

English (EN)

Deutsch (DE)

Français (FR)

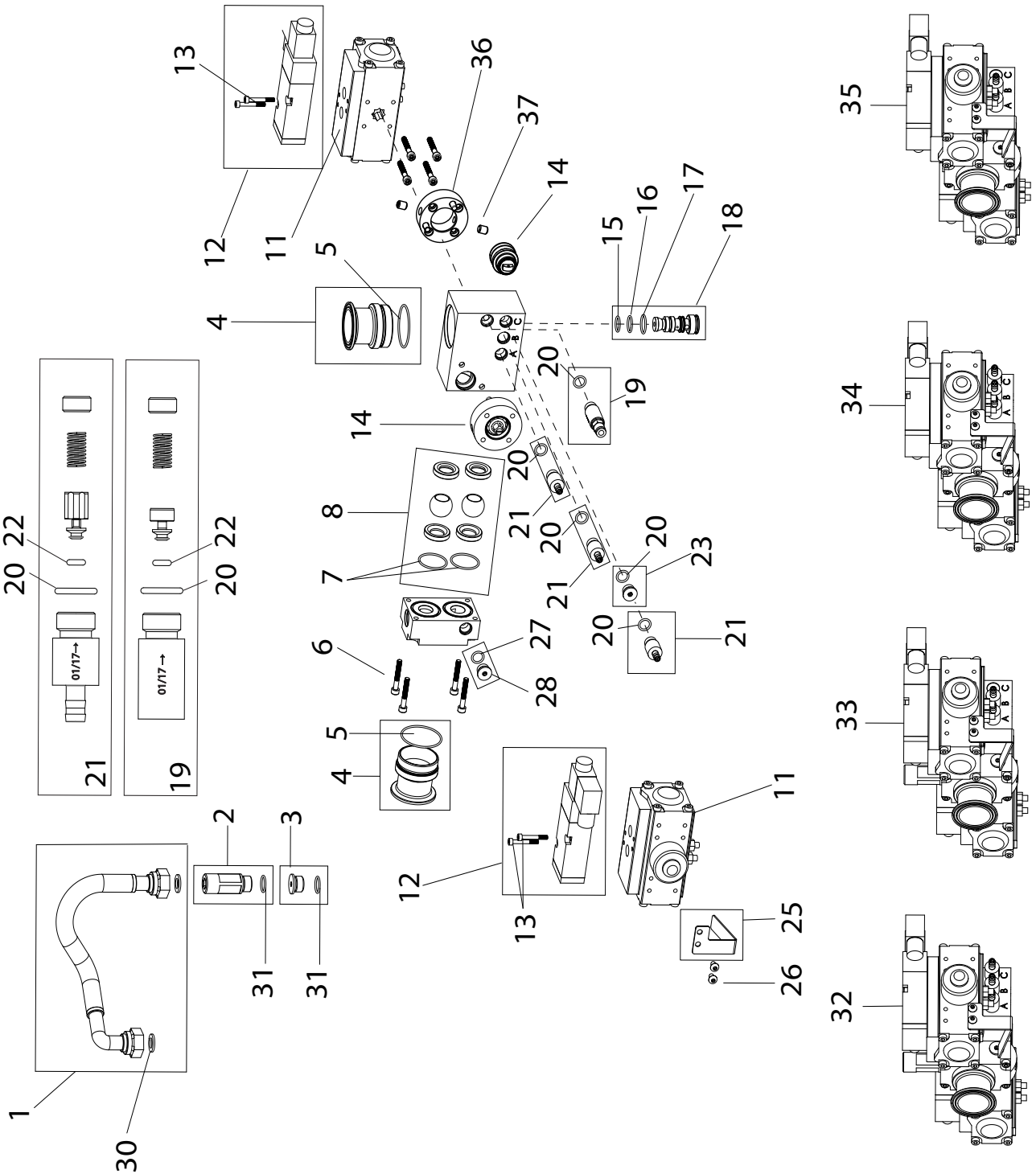
Español (ES)

Italiano (IT)

Pos./Ref.	Nr. No.	Description Beschreibung Désignation Designación	Hybrid Foamatic SA2	Hybrid Foamatic SA3	Hybrid Foamatic SA2C	Hybrid Foamatic SA3C	Hybrid Foamatic SA2M	Hybrid Foamatic SA3M	Hybrid Foamatic SA2CM	Hybrid Foamatic SA3CM	Hybrid Foamatic SA2PD	Hybrid Foamatic SA3PD	Hybrid Foamatic SA2CPD	Hybrid Foamatic SA3CPD	Hybrid Foamatic SA2MPD	Hybrid Foamatic SA3MPD	Hybrid Foamatic SA2CMPD	Hybrid Foamatic SA3CMPD
1	110003512 (0602021)	Screw kit																
2	110003282	Air regulation valve complete					1	1	1	1					1	1	1	1
3	110001102	Chemical non return valve					2	2	2	2					2	2	2	2
4	110001979	Air non return valve					1	1	1	1					1	1	1	1
5	110003512 (110000526)	Screw kit																
6	110004384	Water non return valve complete					1	1	1	1					1	1	1	1
7	110004246	Fitting					1	1	1	1					1	1	1	1
8	110005355 (0600078)	O-ring kit																
9	110005355 (110002785)	O-ring kit																
10	110002306	Plug					1	1	1	1					1	1	1	1
11	110005355 (110002952)	O-ring kit																
12	110005355 (110000038)	O-ring kit																
13	110003682	Outlet coupling complete					1	1	1	1					1	1	1	1
14	110005355 (641101)	O-ring kit																
15	110003513 (641102)	O-ringkit																
16	110003283	Injector kit					1	1	1	1					1	1	1	1
17	110003512 (110000526)	Screw kit																
18	110005355 (110002508)	O-ring kit																
19	110005355 (350108)	O-ring kit																
20	110003401	Axle for block complete					1	1	1	1					1	1	1	1
21	909100214	Operation button					1	1	1	1					1	1	1	1
22	110003512 (110000525)	Screw kit																
23	110003092	Hexagon nipple					1	1	1	1					1	1	1	1
24	110006214	Hexagon nipple complete																
25	350705	Lock nut					1	1	1	1					1	1	1	1
26	110005355 (110004888)	O-ring kit																
27	110005355 (110004887)	O-ring kit																
28	110005355 (0635021)	O-ring kit																
29	110002392	Flexible pressure piece																
30	110003278	Block complete																
*	110001214 110001197 110001198 110001199 0646105	Chemical hose (blue) Chemical hose (yellow) Chemical hose (red) Chemical hose (green) Chemical limiting nozzle																

Hybrid Foamatic Automatic Block
SA2, SA3, SA2C, SA3C, SA2M, SA3M, SA2CM, SA3CM

Serial no. → 112.01.000423



110004572SA-2

Pos./Ref.	Nr. No.	Description Beschreibung Désignation Designación	Hybrid Foamatic SA2	Hybrid Foamatic SA3	Hybrid Foamatic SA2C	Hybrid Foamatic SA3C	Hybrid Foamatic SA2M	Hybrid Foamatic SA3M	Hybrid Foamatic SA2CM	Hybrid Foamatic SA3CM
2	110005274	Fitting					1	1	1	1
3	110005275	Plug	1	1	1	1				
4	110005279	Clamp fitting	2	2	2	2	2	2	2	2
5	110005355 (110004837)	O-ring kit								
6	110003512 (110005104)	Screw kit								
7	110005355 (110004835)	O-ring kit								
8	110005276	Service kit actuator	1	1	1	1	1	1	1	1
11	0605792	Actuator	2	2	2	2	2	2	2	2
12	110004622	Solenoid valve	1	1	2	3	1	1	1	1
13	110003512 (110004573)	Screw kit								
14	110005277	Service kit automatic block	2	2	2	2	2	2	2	2
15	110005355 (110004870)	O-ring kit								
16	110005355 (110004871)	O-ring kit								
17	110005355 (110002955)	O-ring kit								
18	110005362	Injector kit 150								
18	110005278	Injector kit 300	1	1	1	1	1	1	1	1
18	110005363	Injector kit 450								
19	110001979	Air non return valve	1	1	1	1	1	1	1	1
20	110005355 (110002952)	O-ring kit								
21	110001102	Chemical non return valve	2	3	2	3	2	3	2	3
22	110005355 (0635021)	O-ring kit								
23	110002306	Plug	1		1		1		1	
25	110005207	Bracket	1	1	1	1	1	1	1	1
26	110003512 (110003900)	Screw kit								
27	110005355 (110002952)	O-ring kit								
28	110002306	Plug	1	1	1	1	1	1	1	1
29	110000890	Sensor								
30	110005355 (0635042)	O-ring kit					2	2	2	2
31	110005355 (110004140)	O-ring kit								
32	110005227	Block automatic complete						1		1
33	110005226	Block automatic complete					1		1	
34	110005229	Block automatic complete		1		1				
35	110005228	Block automatic complete	1		1					
36	110005351	Fixation for actuator								
37	110003512 (156519)	Pinol screw								

English (EN)

Deutsch (DE)

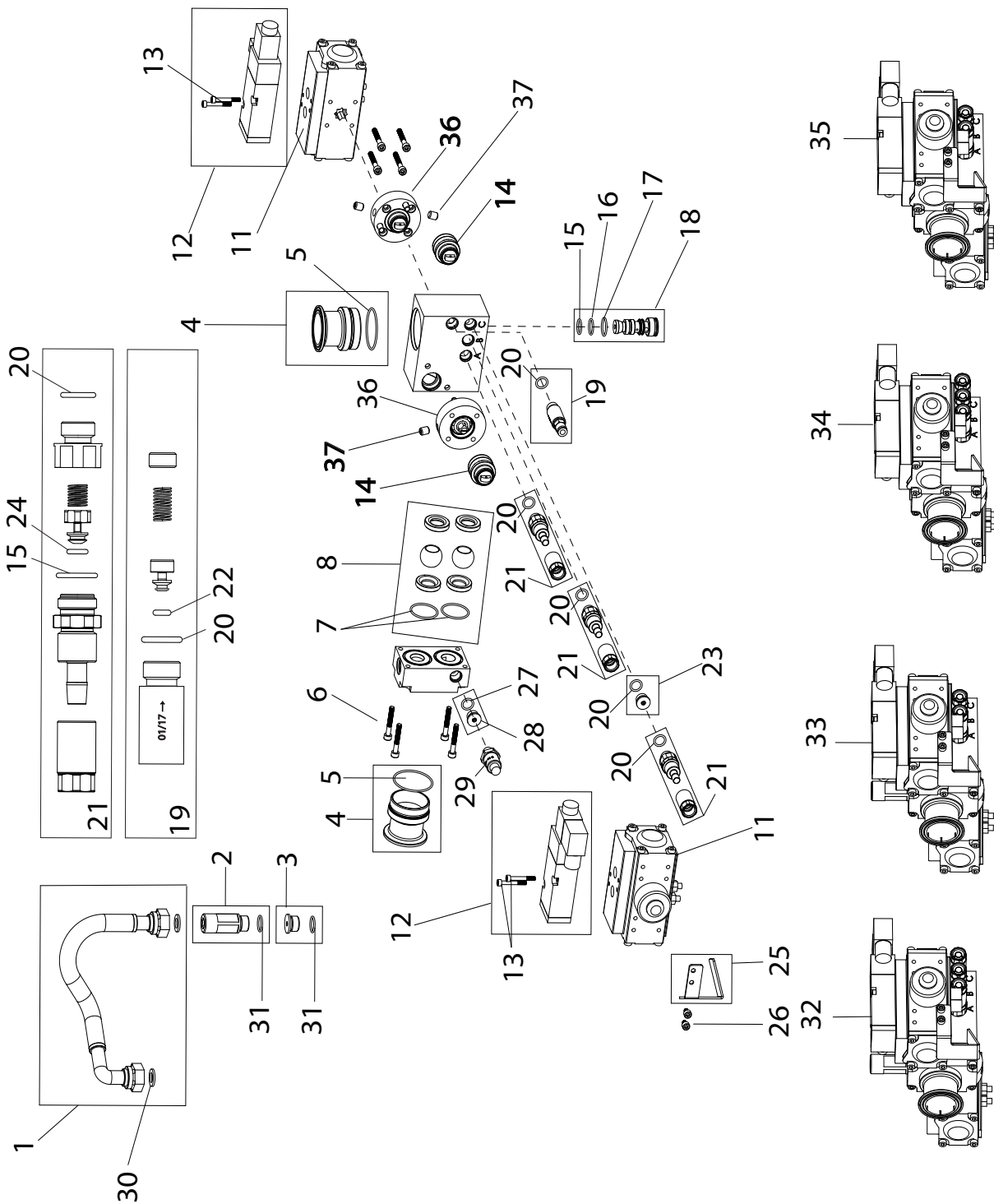
Français (FR)

Español (ES)

Italiano (IT)

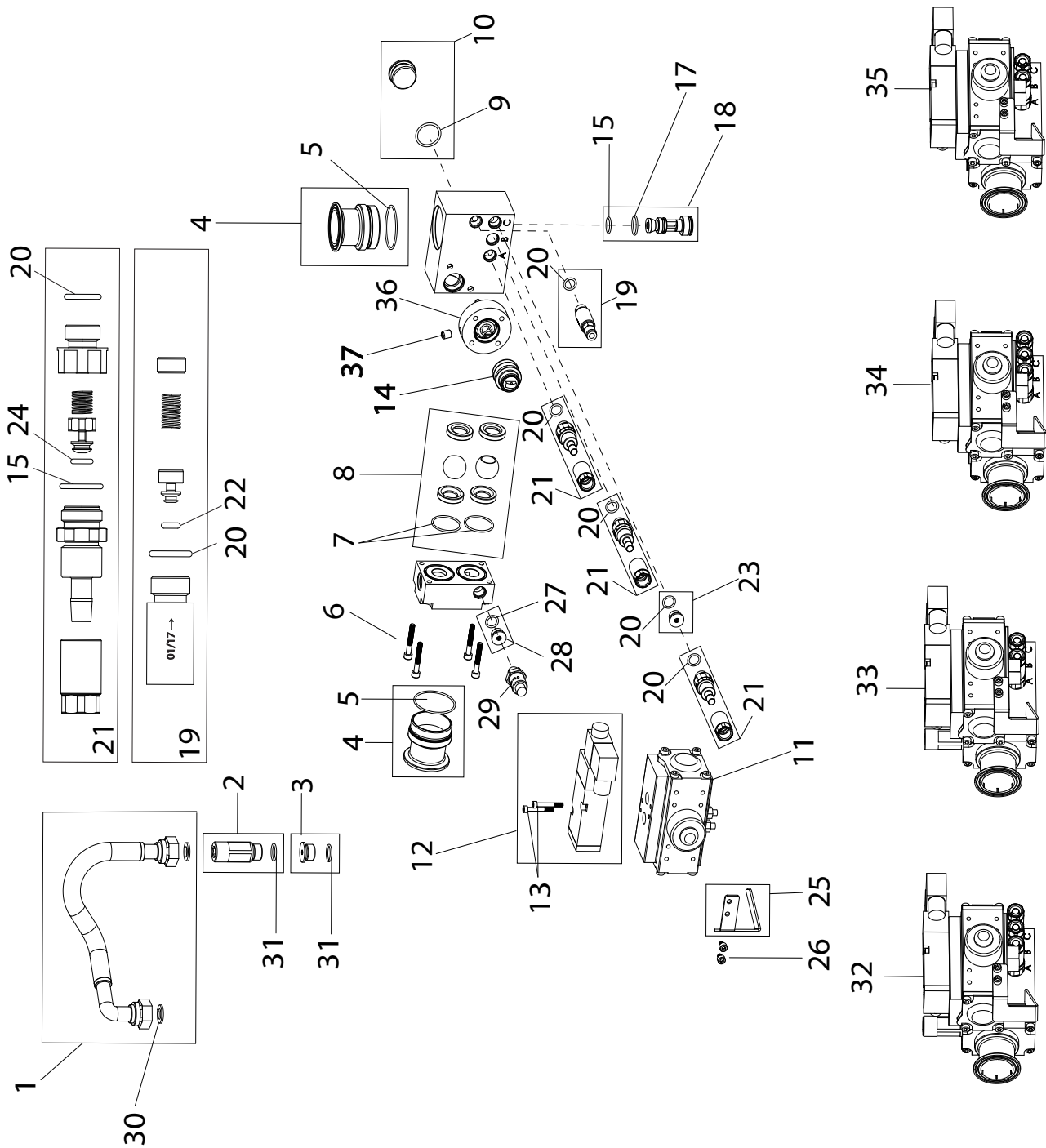
Hybrid Foamatic Automatic Block
SA2, SA3, SA2C, SA3C, SA2M, SA3M, SA2CM, SA3CM

Serial no. 112.02.000423 →



Pos./Ref.	Nr. No.	Description Beschreibung Désignation Designación	Hybrid Foamatic SA2	Hybrid Foamatic SA3	Hybrid Foamatic SA2C	Hybrid Foamatic SA3C	Hybrid Foamatic SA2M	Hybrid Foamatic SA3M	Hybrid Foamatic SA2CM	Hybrid Foamatic SA3CM
1	110004875	Hose					1	1	1	1
2	110005274	Fitting					1	1	1	1
3	110005275	Plug	1	1	1	1				
4	110005279	Clamp fitting	2	2	2	2	2	2	2	2
5	110005355 (110004837)	O-ring kit								
6	110003512 (110005104)	Screw kit								
7	110005355 (110004835)	O-ring kit								
8	110005276	Service kit actuator	1	1	1	1	1	1	1	1
11	0605792	Actuator	2	2	2	2	2	2	2	2
12	110004622	Solenoid valve	1	1	1	1	1	1	1	1
13	110003512 (110004573)	Screw kit								
14	110005277	Service kit automatic block	2	2	2	2	2	2	2	2
15	110005355 (110004870)	O-ring kit								
16	110005355 (110004871)	O-ring kit								
17	110005355 (110002955)	O-ring kit								
18	110008017	Injector kit 8-15-150								
18	110008018	Injector kit 16-15-300	1	1	1	1	1	1	1	1
18	110008019	Injector kit 24-15-450								
19	110001979	Air non return valve	1	1	1	1	1	1	1	1
20	110005355 (110002952)	O-ring kit								
21	110007961	Chemical non return valve	2	3	2	3	2	3	2	3
22	110005355 (0635021)	O-ring kit								
23	110002306	Plug	1		1		1		1	
24	110005355 (0635025)	O-ring kit								
25	110005207	Bracket	1	1	1	1	1	1	1	1
26	110003512 (110003900)	Screw kit								
27	110005355 (110002952)	O-ring kit								
28	110002306	Plug								
29	110000890	Sensor								
30	110005355 (0635042)	O-ring kit					2	2	2	2
31	110005355 (110004140)	O-ring kit								
32	110008194	Block automatic complete						1		1
33	110008193	Block automatic complete					1		1	
34	110008196	Block automatic complete		1		1				
35	110008195	Block automatic complete	1		1					
36	110005351	Fixation for actuator								
37	110003512 (156519)	Pinol screw								

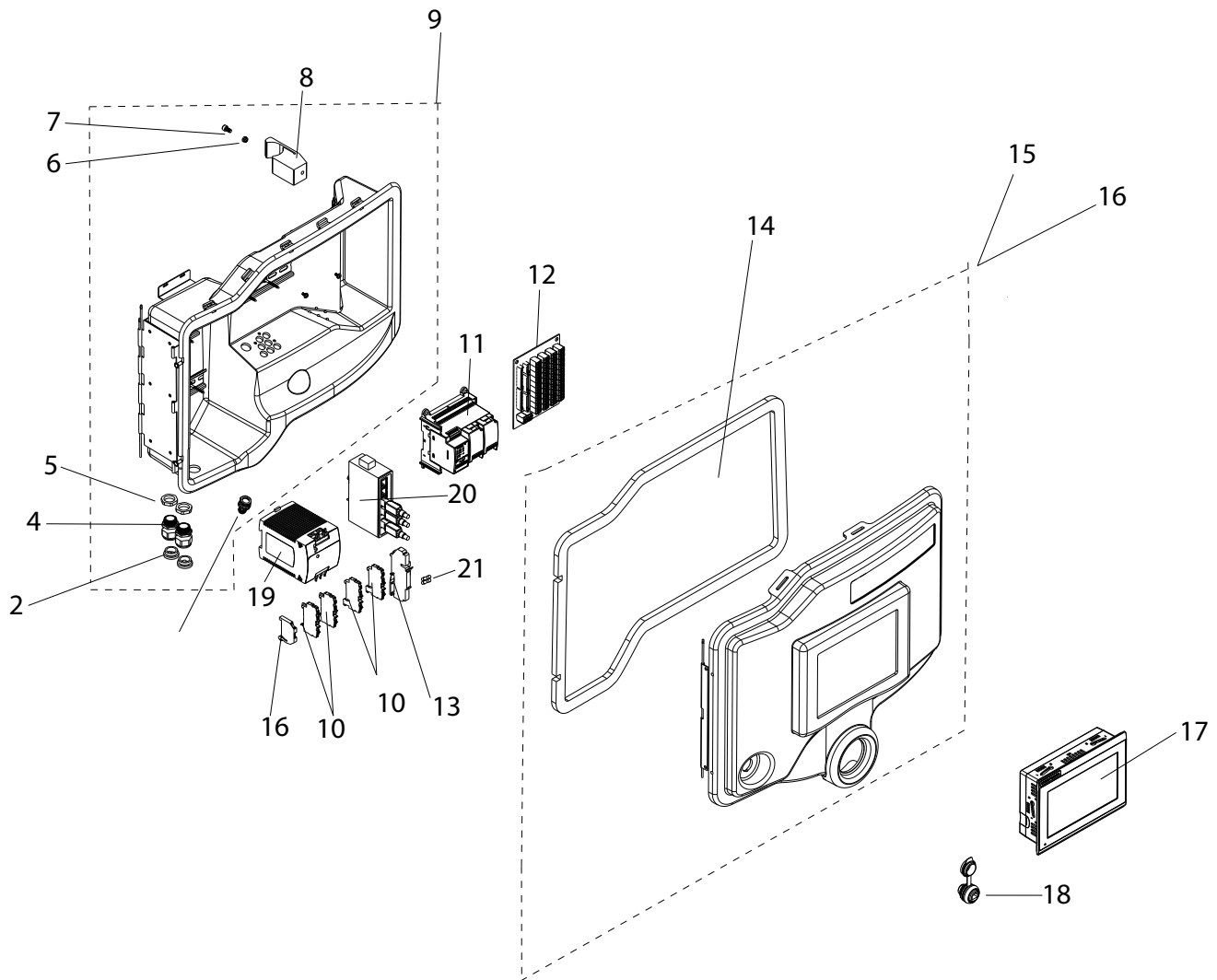
Hybrid Foamatic Automatic Block
 SA2PD, SA3PD, SA2CPD, SA3CPD, SA2MPD, SA3MPD, SA2CMPD, SA3CMPD



110008011

Pos./Ref.	Nr. No.	Description Beschreibung Désignation Designación	Hybrid Foamatic SA2PD	Hybrid Foamatic SA3PD	Hybrid Foamatic SA2CPD	Hybrid Foamatic SA3CPD	Hybrid Foamatic SA2MPD	Hybrid Foamatic SA3MPD	Hybrid Foamatic SA2CMPD	Hybrid Foamatic SA3CMPD
1	110004875	Hose					1	1	1	1
2	110005274	Fitting					1	1	1	1
3	110005275	Plug	1	1	1	1				
4	110005279	Clamp fitting	2	2	2	2	2	2	2	2
5	110005355 (110004837)	O-ring kit								
6	110003512 (110005104)	Screw kit								
7	110005355 (110004835)	O-ring kit								
8	110007960	Service kit actuator PD	1	1	1	1	1	1	1	1
9	110005355 (110004200)	O-ring kit								
10	110007962	Plug	1	1	1	1	1	1	1	1
11	0605792	Actuator	2	2	2	2	2	2	2	2
12	110004622	Solenoid valve	1	1	1	1	1	1	1	1
13	110003512 (110004573)	Screw kit								
14	110005277	Service kit automatic block	2	2	2	2	2	2	2	2
15	110005355 (110004870)	O-ring kit								
16	110005355 (110004871)	O-ring kit								
17	110005355 (110002955)	O-ring kit								
18	110007963	Injector kit PD 9-8-150								
18	110007964	Injector kit PD 18-8-300	1	1	1	1	1	1	1	1
18	110007965	Injector kit PD 21-8-450								
19	110001979	Air non return valve	1	1	1	1	1	1	1	1
20	110005355 (110002952)	O-ring kit								
21	110007961	Chemical non return valve	2	3	2	3	2	3	2	3
22	110005355 (0635021)	O-ring kit								
23	110002306	Plug	1		1		1		1	
24	110005355 (0635025)	O-ring kit								
25	110005207	Bracket	1	1	1	1	1	1	1	1
26	110003512 (110003900)	Screw kit								
27	110005355 (110002952)	O-ring kit								
28	110002306	Plug								
29	110000890	Sensor								
30	110005355 (0635042)	O-ring kit					2	2	2	2
31	110005355 (110004140)	O-ring kit								
32	110007967	Block automatic complete PD						1		1
33	110007966	Block automatic complete PD					1		1	
34	110007969	Block automatic complete PD		1		1				
35	110007968	Block automatic complete PD	1		1					
36	110005351	Fixation for actuator								
37	110003512 (156519)	Pinol screw								

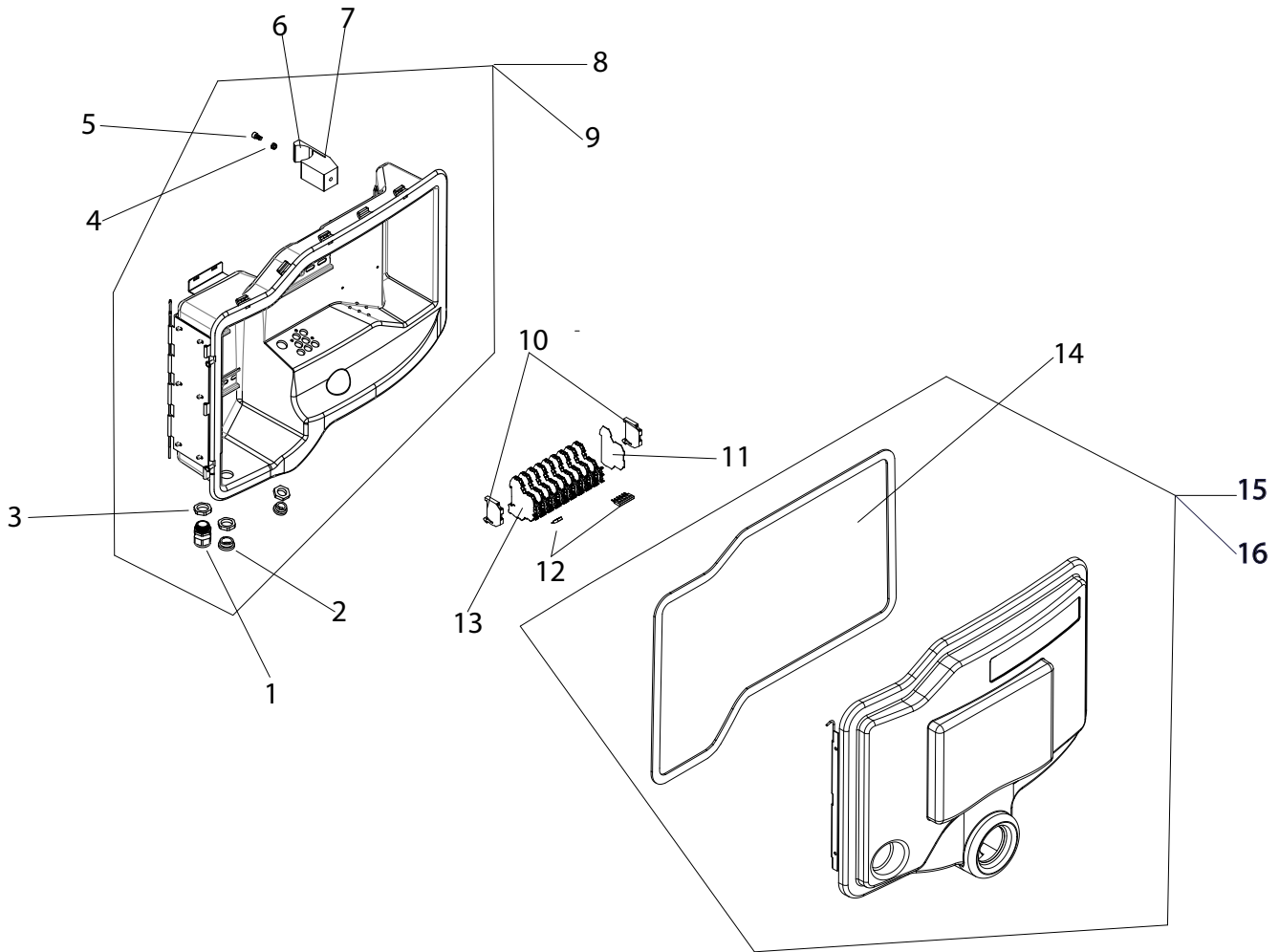
Controller SA2C, SA3C, SA2CM, SA3CM



110005253

Pos./Ref.	Nr. No.	Description Beschreibung Désignation Designación	Hybrid Foamatic SA2	Hybrid Foamatic SA3	Hybrid Foamatic SA2C	Hybrid Foamatic SA3C	Hybrid Foamatic SA2M	Hybrid Foamatic SA3M	Hybrid Foamatic SA2CM	Hybrid Foamatic SA3CM	Hybrid Foamatic SA2PD	Hybrid Foamatic SA3PD	Hybrid Foamatic SA2CPD	Hybrid Foamatic SA3CPD	Hybrid Foamatic SA2MPD	Hybrid Foamatic SA3MPD	Hybrid Foamatic SA2CMPD	Hybrid Foamatic SA3CMPD
1	110004642	Contacteur			2	2			2	2			2	2			2	2
2	110004220	MI2 plug			1	1			1	1			1	1			1	1
4	0631091	Strain relief			2	2			2	2			2	2			2	2
5	0631092	Counter nut			2	2			2	2			2	2			2	2
6	110003512 (156310)	Nut																
7	110003512 (110000526)	Screw																
8	110005292	Piping lock			1	1			1	1			1	1			1	1
9	110005298	Controller back complete			1	1			1	1			1	1			1	1
10	150640	Screw terminals			2	2			2	2			2	2			2	2
11	110006096	PLC			1	1			1	1			1	1			1	1
12	110004920	Controller board			1	1			1	1			1	1			1	1
13	110004649	Terminal block			1	1			1	1			1	1			1	1
14	110004925	Sealing			1	1			1	1			1	1			1	1
15	110005293	Controller front							1	1							1	1
16	110005295	Controller front			1	1							1	1				
17	110006099	Display			1	1			1	1			1	1			1	1
18	110004444	Ethernet plug			1	1			1	1			1	1			1	1
19	110004641	Power supply			1	1			1	1			1	1			1	1
20	110005513	Switch			1	1			1	1			1	1			1	1
21	110003167	Fuses			2	2			2	2			2	2			2	2
22	110004644	Safety relay			1	1			1	1			2	2			2	2
23	110005445	SD Micro card SA2C / SA2CM SD card containing software			1				1									
23	110005446	SD Micro card SA3C / SA3CM SD card containing software				1				1								
23	110007821	SD Micro card SA2CPD / SA2CMPD SD card containing software											1				1	
23	110007822	SD Micro card SA3CPD / SA3CMPD SD card containing software												1				1

Screw terminal



110005256

Pos./Ref.	Nr. No.	Description Beschreibung Désignation Designación	Hybrid Foamatic SA2	Hybrid Foamatic SA3	Hybrid Foamatic SA2C	Hybrid Foamatic SA3C	Hybrid Foamatic SA2M	Hybrid Foamatic SA3M	Hybrid Foamatic SA2CM	Hybrid Foamatic SA3CM	Hybrid Foamatic SA2PD	Hybrid Foamatic SA3PD	Hybrid Foamatic SA2CPD	Hybrid Foamatic SA3CPD	Hybrid Foamatic SA2MPD	Hybrid Foamatic SA3MPD	Hybrid Foamatic SA2CMPD	Hybrid Foamatic SA3CMPD
1	110004220	Plug	1	1			1	1			1	1			1	1		
2	0601477	Plug	2	2			2	2			2	2			2	2		
3	0631092	Counter nut	2	2			2	2			2	2			2	2		
4	110003512 (156310)	Nut																
5	110003512 (110000526)	Screw																
6	110005292	Piping lock	1	1			1	1			1	1			1	1		
7	110005291	Piping lock																
8	110005224	Controller back complete Serial no. →112.01.000423	1	1			1	1			1	1			1	1		
9	110007972	Controller back complete Serial no. 112.02.000423→	1	1			1	1			1	1			1	1		
10	152200	Endstop	2	2			2	2			2	2			2	2		
11	319918	End plate	1	1			1	1			1	1			1	1		
12	0631034	Center lug	1	1			1	1			1	1			1	1		
13	319917	Double clamps	9	9			9	9			9	9			9	9		
14	110004925	Sealing	1	1			1	1			1	1			1	1		
15	110005294	Controller front					1	1							1	1		
16	110005296	Controller front	1	1							1	1						

English (EN)

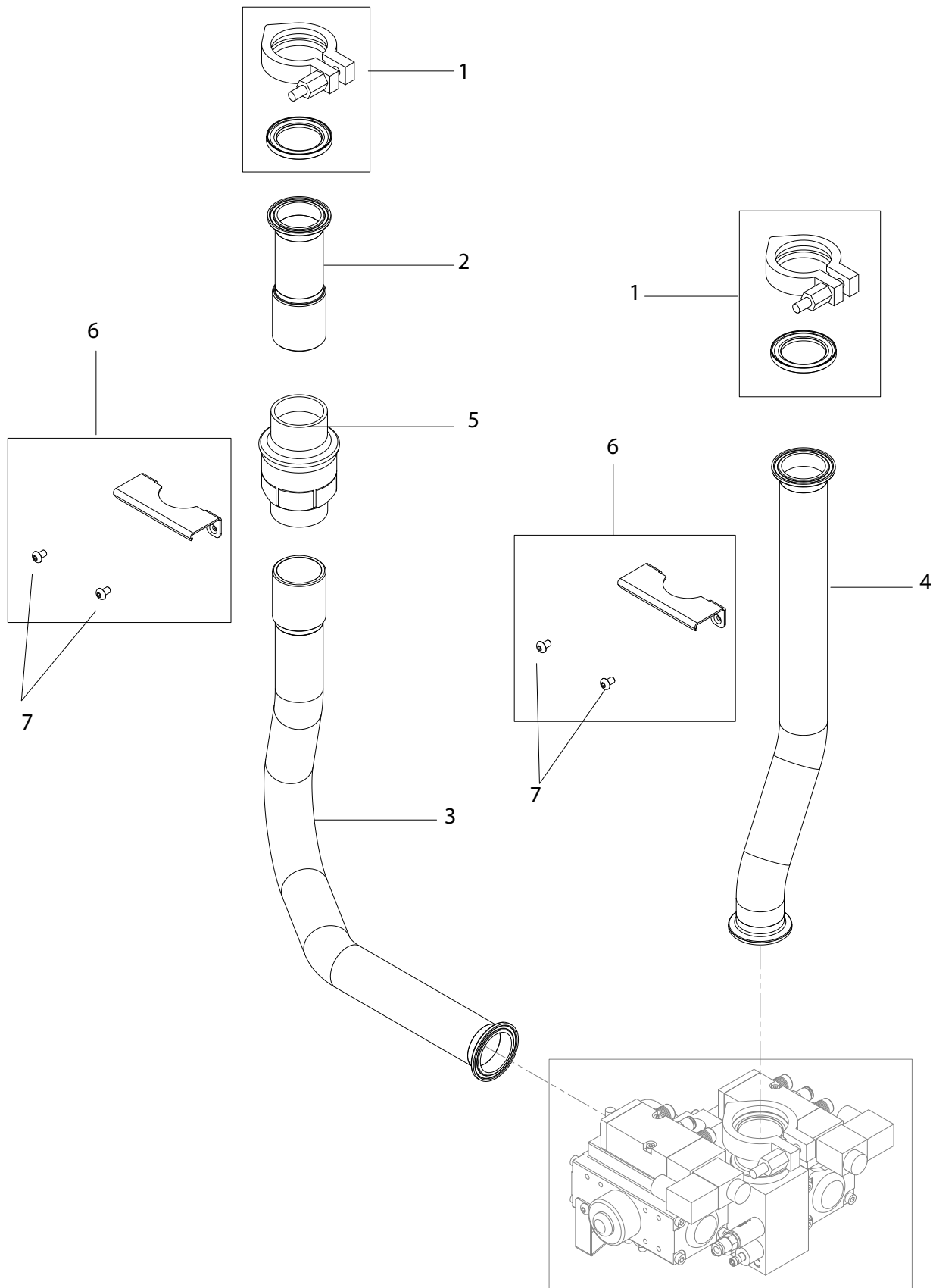
Deutsch (DE)

Français (FR)

Español (ES)

Italiano (IT)

Inlet & Outlet pipe



110004616

Pos./Ref.	Nr. No.	Description Beschreibung Désignation Designación	Hybrid Foamatic SA2	Hybrid Foamatic SA3	Hybrid Foamatic SA2C	Hybrid Foamatic SA3C	Hybrid Foamatic SA2M	Hybrid Foamatic SA3M	Hybrid Foamatic SA2CM	Hybrid Foamatic SA3CM
1	110005273	Clamp kit	1	1	1	1	1	1	1	1
2	110005257	Pipe inlet	1	1	1	1	1	1	1	1
3	110005198	Pipe inlet	1	1	1	1	1	1	1	1
4	110004972	Pipe outlet	1	1	1	1	1	1	1	1
5	630900	Non return valve water	1	1	1	1	1	1	1	1
6	110005280	Bracket	2	2	2	2	2	2	2	2
7	110003512 (110003900)	Screw kit								

English (EN)

Deutsch (DE)

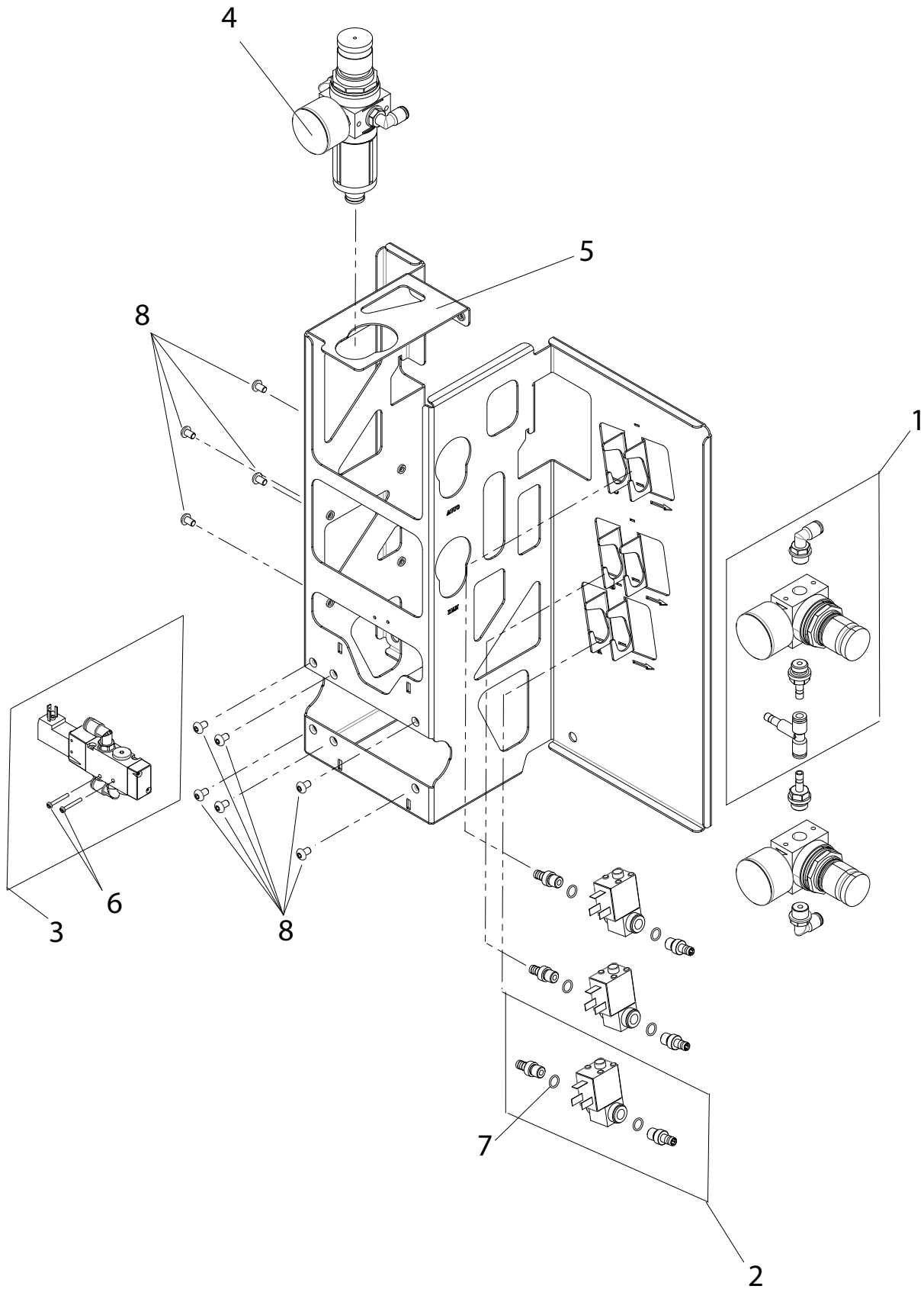
Français (FR)

Español (ES)

Italiano (IT)

Chemical valve bracket
SA2, SA3, SA2C, SA3C, SA2M, SA3M, SA2CM, SA3CM

Serial no. → 112.01.000423



110005272

Pos./Ref.	Nr. No.	Description Beschreibung Désignation Designación	Hybrid Foamatic SA2	Hybrid Foamatic SA3	Hybrid Foamatic SA2C	Hybrid Foamatic SA3C	Hybrid Foamatic SA2M	Hybrid Foamatic SA3M	Hybrid Foamatic SA2CM	Hybrid Foamatic SA3CM
1	110005396	Regulation unit air with manometer	1	2	1	2	1	2	1	2
2	110005281	Solenoid valve chemical	2	3	2	3	2	3	2	3
3	110002787	Solenoid valve air	1	1	1	1	1	1	1	1
4	110005282	Filter regulator complete	1	1	1	1	1	1	1	1
5	110005053	Bracket for valves	1	1	1	1	1	1	1	1
6	110003512 (110002749)	Screw kit								
7	110005399 (0635031)	O-ring kit								
8	110003512 (110003900)	Screw kit								

English (EN)

Deutsch (DE)

Français (FR)

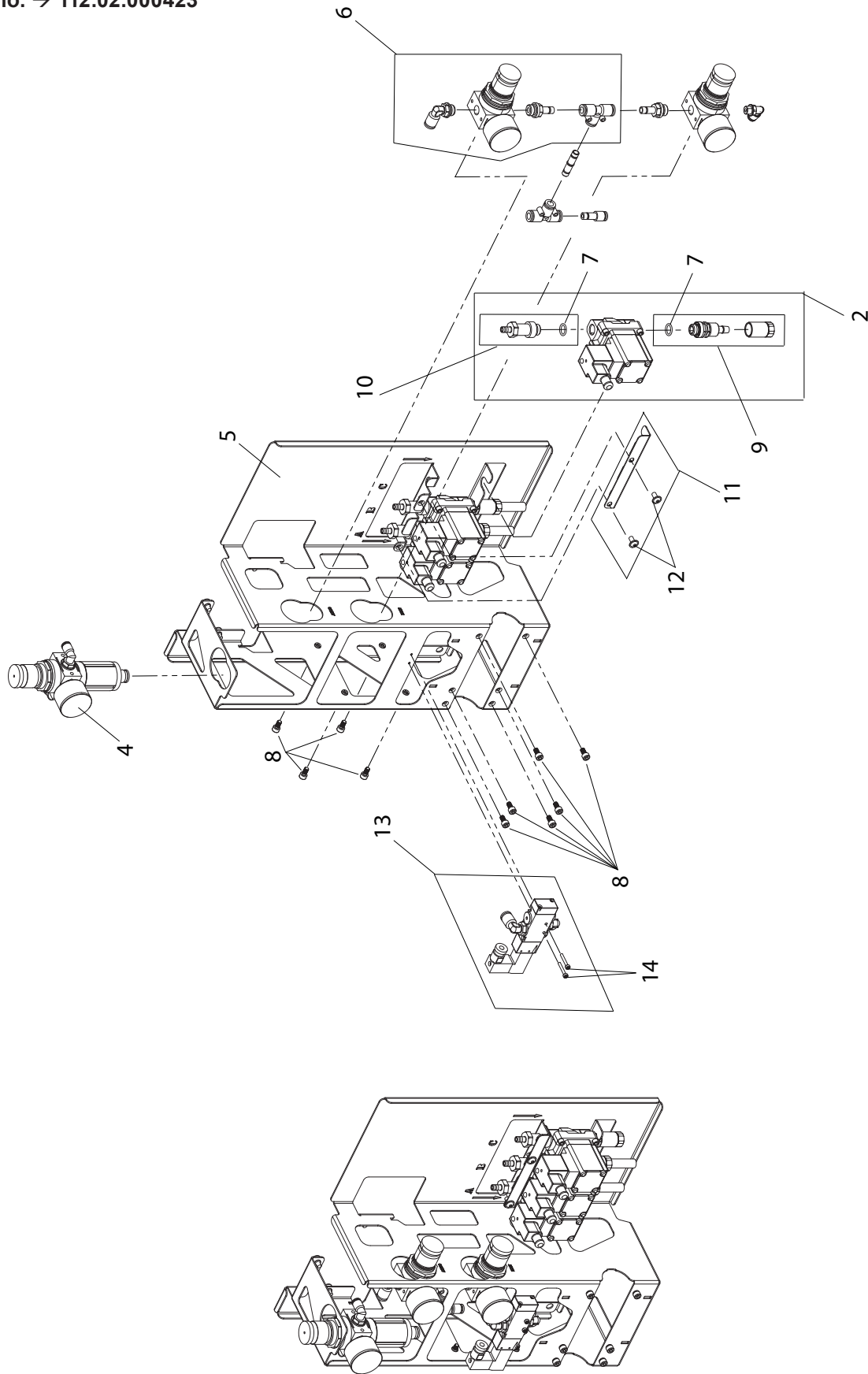
Español (ES)

Italiano (IT)

Chemical valve bracket

SA2, SA3, SA2C, SA3C, SA2M, SA3M, SA2CM, SA3CM

Serial no. → 112.02.000423



110008157

Pos./Ref.	Nr. No.	Description Beschreibung Désignation Designación	Hybrid Foamatic SA2	Hybrid Foamatic SA3	Hybrid Foamatic SA2C	Hybrid Foamatic SA3C	Hybrid Foamatic SA2M	Hybrid Foamatic SA3M	Hybrid Foamatic SA2CM	Hybrid Foamatic SA3CM
2	110007984	Solenoid valve SMC complete	2	3	2	3	2	3	2	3
4	110005282	Filter regulator complete	1	1	1	1	1	1	1	1
5	110006566	Chemical valve bracket SA	1	1	1	1	1	1	1	1
6	110005396	Reduction valve with manometer	1	2	1	2	1	2	1	2
7	110005355 (110004870)	O-ring kit								
8	110003512 (110000847)	Screw kit								
9	110007978	Hose connector kit	2	3	2	3	2	3	2	3
10	110008146	Hose nipple complete	2	3	2	3	2	3	2	3
11	110008080	Valve brancket complete	1	1	1	1	1	1	1	1
12	110003512 (110007782)	Screw kit								
13	110002787	Solenoid valve 5/2" complete	1	1	1	1	1	1	1	1
14	110003512 (110002749)	Screw kit	2	2	2	2	2	2	2	2

English (EN)

Deutsch (DE)

Français (FR)

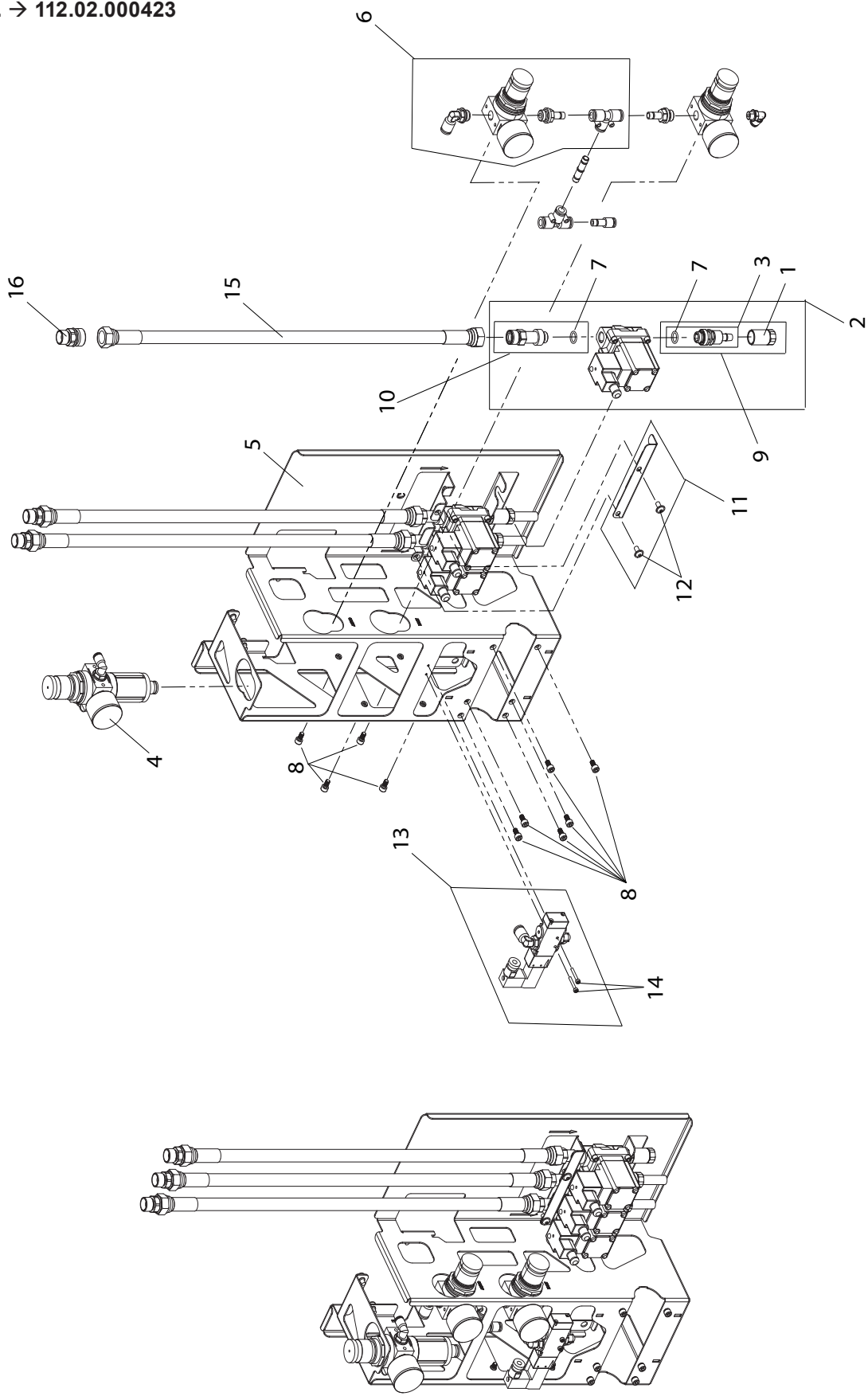
Español (ES)

Italiano (IT)

Chemical valve bracket

SA2PD, SA3PD, SA2CPD, SA3CPD, SA2MPD, SA3MPD, SA2CMPD, SA3CMPD

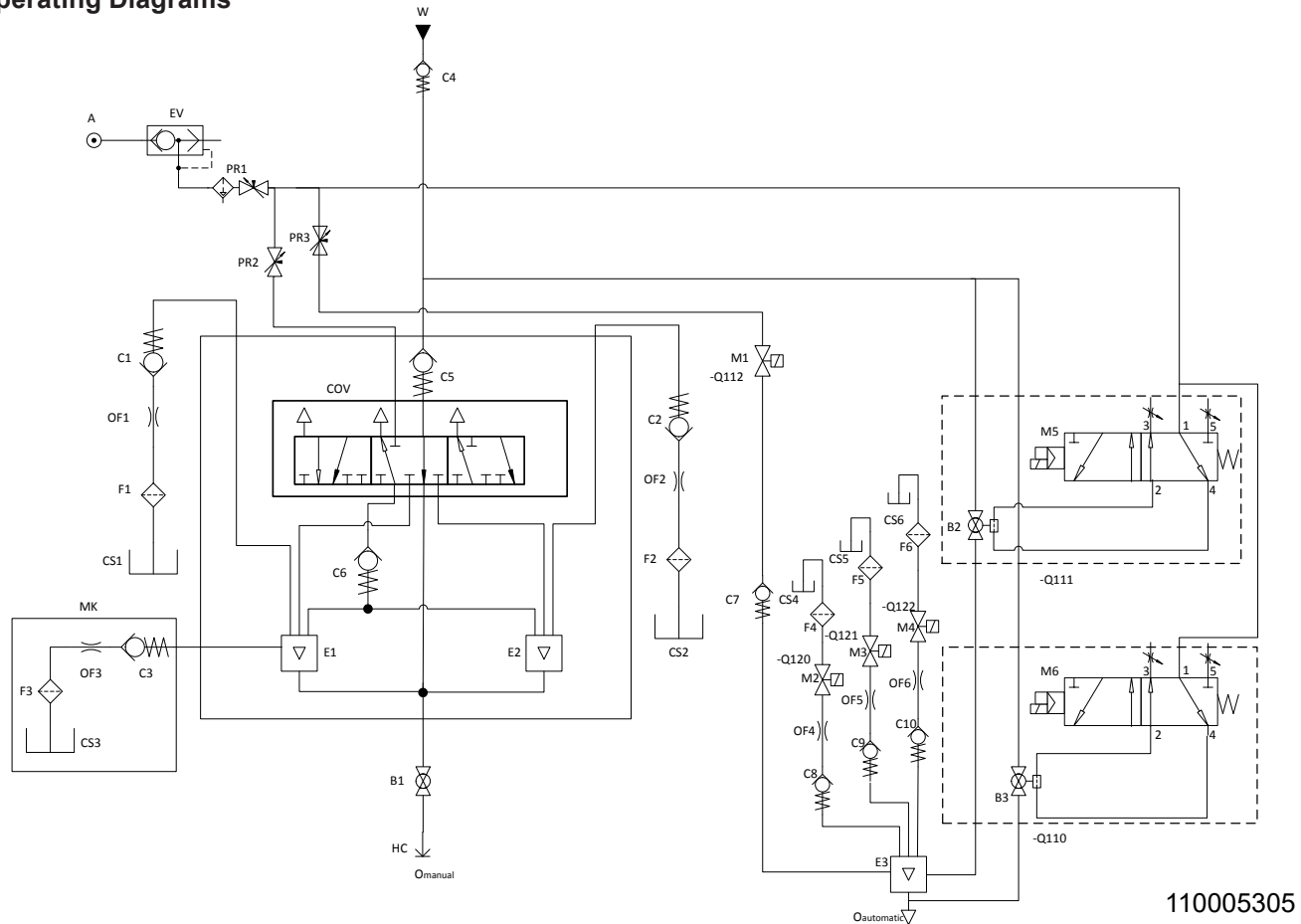
Serial no. → 112.02.000423



110008149

Pos./Ref.	Nr. No.	Description Beschreibung Désignation Designación	Hybrid Foamatic SA2PD	Hybrid Foamatic SA3PD	Hybrid Foamatic SA2CPD	Hybrid Foamatic SA3CPD	Hybrid Foamatic SA2MPD	Hybrid Foamatic SA3MPD	Hybrid Foamatic SA2CMPD	Hybrid Foamatic SA3CMPD
1	110007784	Hose connection	2	3	2	3	2	3	2	3
2	110007984	Solenoid valve SMC complete	2	3	2	3	2	3	2	3
3	110002787	Chemical non return valve complete	2	3	2	3	2	3	2	3
4	110005282	Filter regulator complete	1	1	1	1	1	1	1	1
5	110006566	Chemical valve bracket SA	1	1	1	1	1	1	1	1
6	110005396	Reduction valve with manometer	1	2	1	2	1	2	1	2
7	110005355 (110004870)	O-ring kit								
8	110003512 (110000847)	Screw kit								
9	110007961	Chemical non return valve complete with hose connection	2	3	2	3	2	3	2	3
10	110007979	Hose nipple complete PD	2	3	2	3	2	3	2	3
11	110008080	Valve brancket complete	1	1	1	1	1	1	1	1
12	110003512 (110007782)	Screw kit								
13	110002787	Solenoid valve 5/2" complete	1	1	1	1	1	1	1	1
14	110003512 (110002749)	Screw kit	2	2	2	2	2	2	2	2
15	110007861	Chemical hose PD	2	3	2	3	2	3	2	3
16	110007831	Hose nipple	1	2	1	2	1	2	1	2

Operating Diagrams



110005305

	English	Deutsch	Français	Español
A	Air supply	Lufteingang	Alimentation air	Suministro de aire
B	Ball valve	Kugelventil	Clapet à bille	Válvula esférica
C	Check valve	Rückschlagventil	Soupape de non retour	Válvula de retención
COV	Change over valve	Umschaltventil	Robinet coupleur	Válvula de conmutación
CP	Centrifugal pump	Kreiselpumpe	Pompe Centrifuge	Bomba centrífuga
CS	Chemical supply	Chemische Versorgung	Fourniture de produits chimiques	Toma de suministro de productos químicos
E	Ejector	Ausstoß	Ejecteur	Eyector
EV	Exhaust valve	Ejektor	Ejecteur	Eyector
F	Filter	Filter	Filtre	Filtro
FST	Flow sensor and -trigger	Durchflusssensor und auslöser	Capteur de débit et de déclenchement	Sensor de caudal y de activación
HC	Hose coupling	Schlangenverbindung	Connexion flexible	Conexión de tubo flexible
K	Component reference	Komponentenreferenz	Référence composant	Referencia del componente
M	Magnetic valve	Magnetventil	Vanne magnétique	Válvula magnética
MK	Mix kit (Optional)	Misch-Kit (Optional)	Kit de mélange (Optionnel)	Kit de mezcla (Opcional)
O	Outlet	Ausgang	Sortie	Salida
OF	Orifice	Blende	Orifice	Orificio
PE	Pressure sensor	Drucksensor	Capteur de pression	Sensor de presión
PR	Pressure regulator	Druckregler	Régulateur de pression	Régulador de presión
TE	Temperature sensor	Temperatursensor	Capteur de température	Sensor de temperatura
W	Water inlet	Wasserzufluss	Arrivée d'eau	Entrada de agua



Nilfisk Food

Blytaekervej 2
DK- 9000 Aalborg
Tlf. +45 7218 2000

Project : Hybrid Foamatic MKII SA

Item No. : 110005259

Rated Voltage : 400V

Rated frequency : 50Hz

Full-load current : 1A

Max single load : 1A

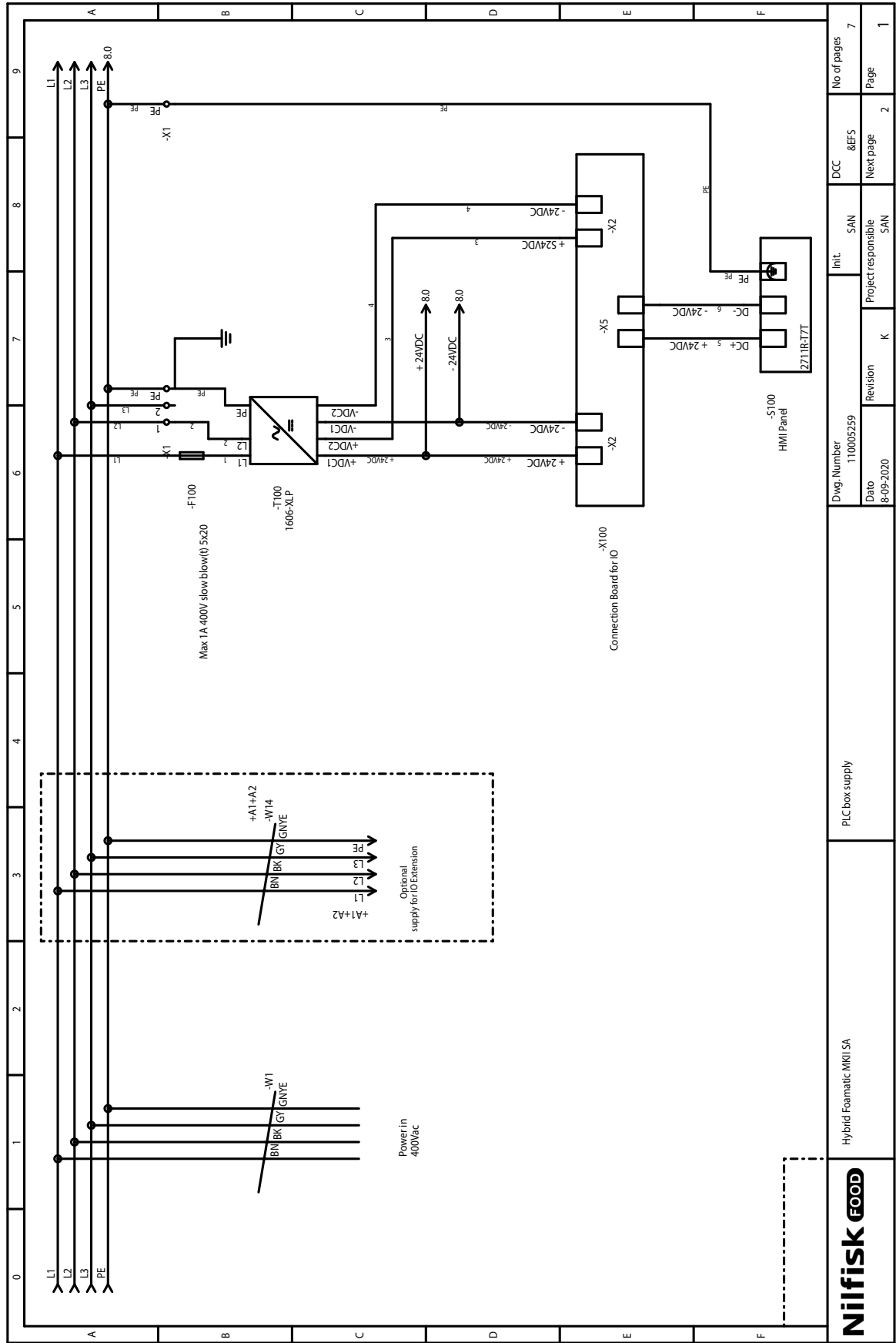
Rated short time
withstand current, I_{cw} : 6kA

Max fuse : 16A

Project Responsible : SAN

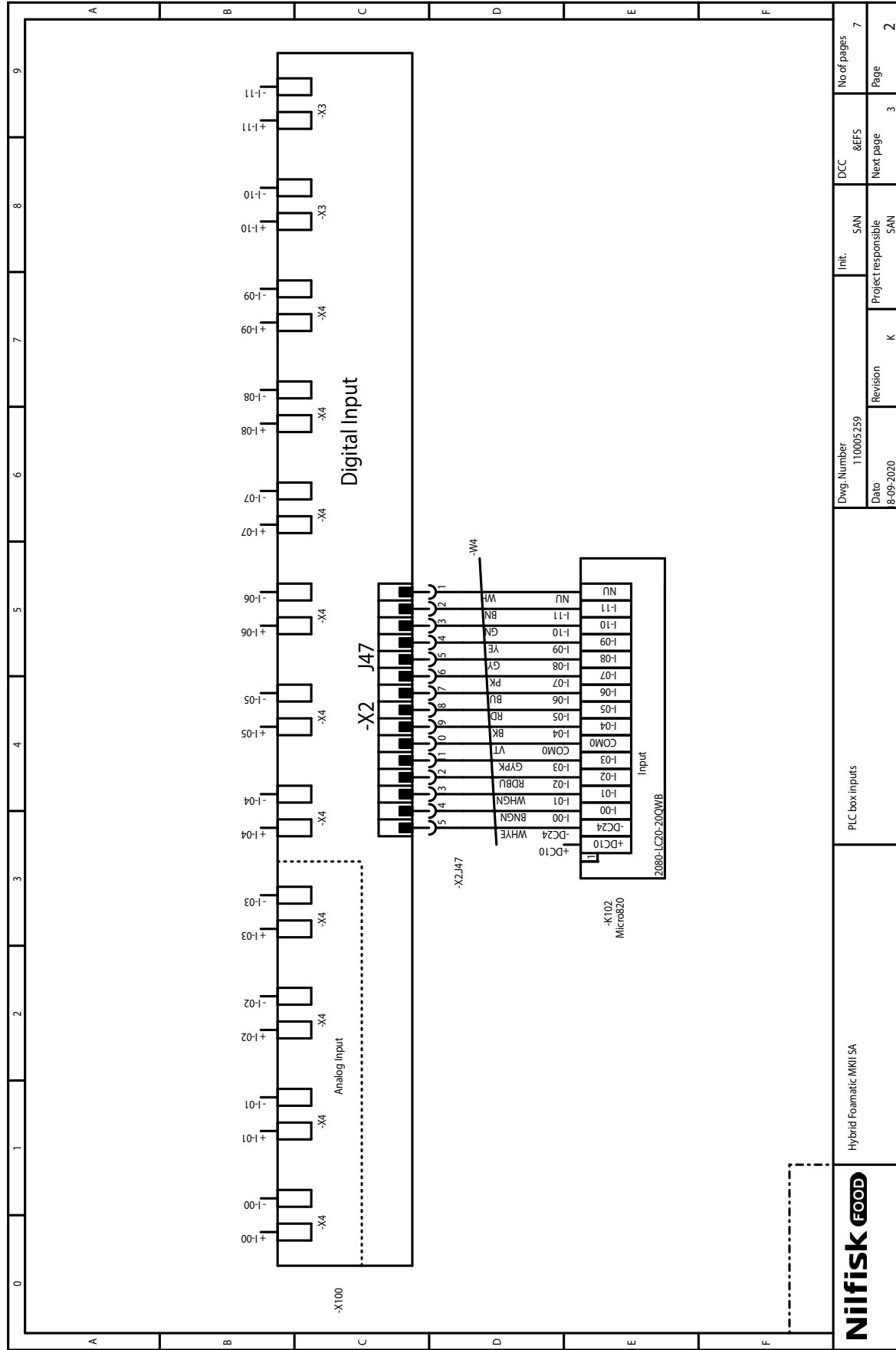
Document revision : K

EI Diagrams/Sensor Diagram



Nilfisk FOOD	Hybrid Foamatic MKI SA	PLC box supply		Dwg. Number T10005259	Int. SAN	DCC &EFS	No. of pages 7
				Date 8-09-2020	Revision K	Project responsible SAN	Page 2
							Page 1

EI Diagrams/Sensor Diagram



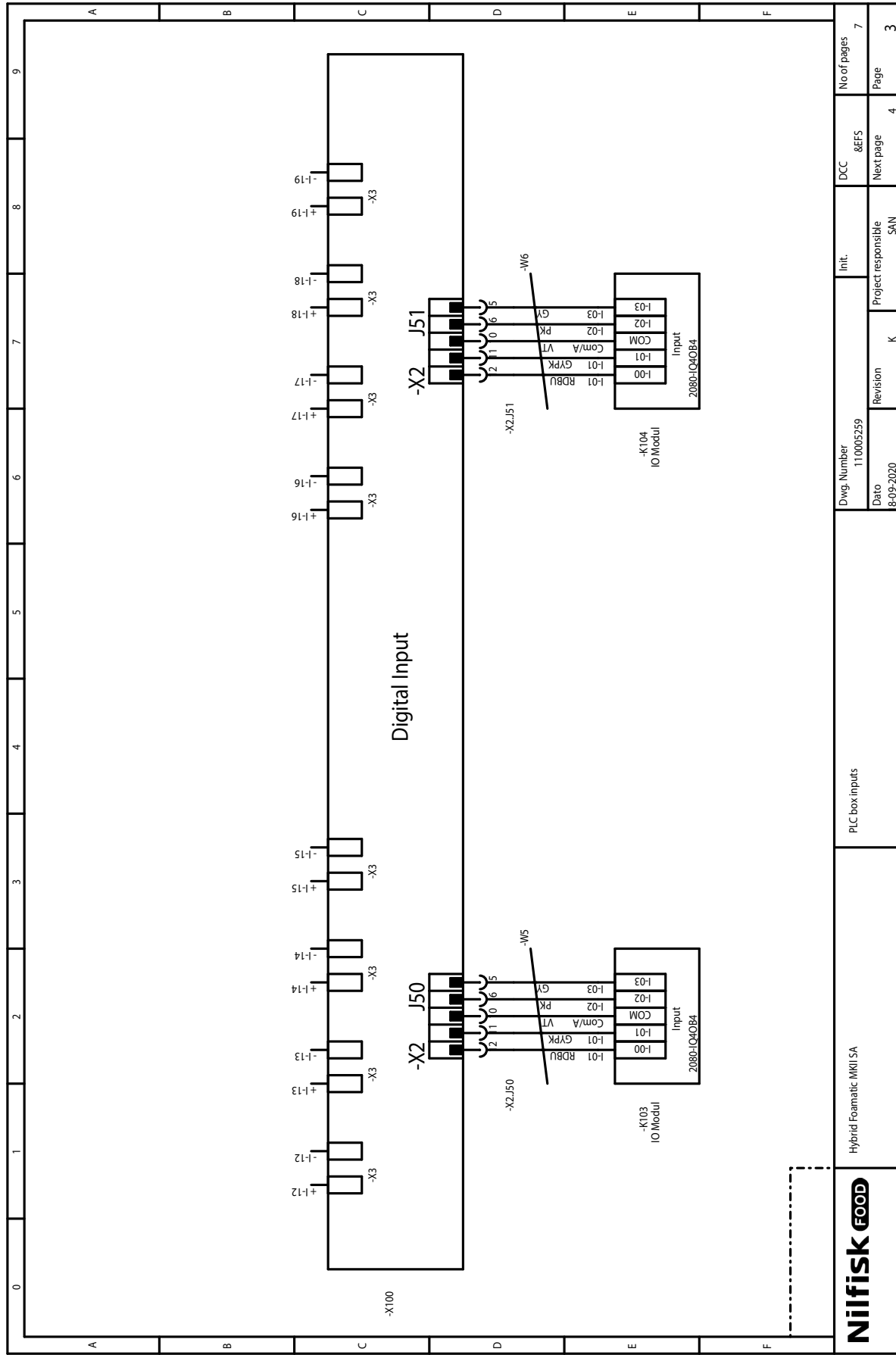
Nilfisk FOOD

Hybrid Foamatic MKII SA

PLC box inputs

Dwg. Number	110005259	Init.	SAN	DCC	&EFS	No of pages	7
Date	8-09-2020	Project responsible	SAN	Next page		Page	3
		Revision	K	SAN			2

DI Diagrams/Sensor Diagram



Hybrid Foamatic MK1 SA

PLC box inputs

Dwg Number
110005259

Date
8-09-2020

Revision
K

Project responsible
SAN

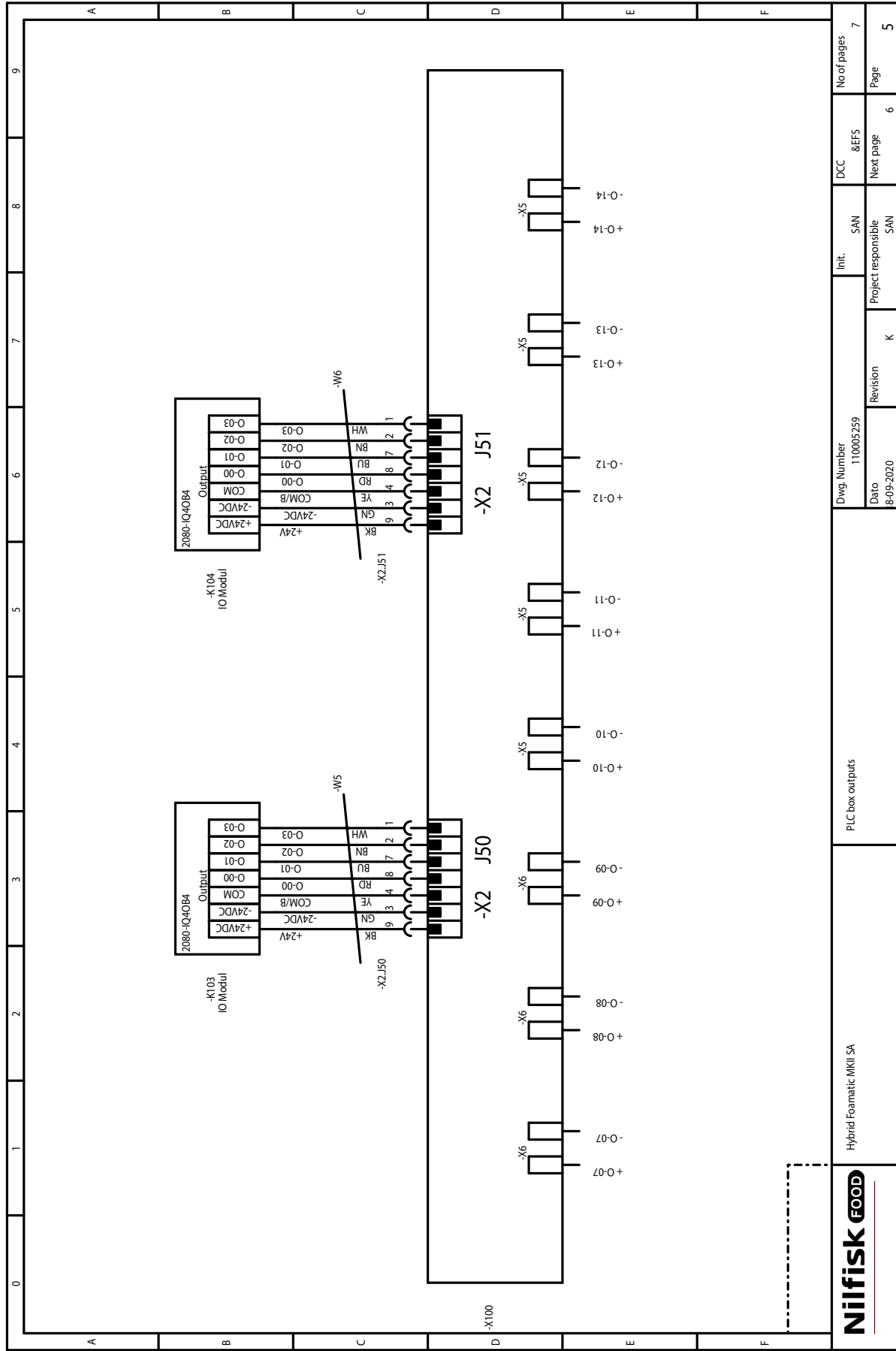
DCC
&EFS

Next page
4

No of pages
7

Page
3

EI Diagrams/Sensor Diagram



Nilfisk FOOD

Hybrid Foamatic MKII SA

PLC box outputs

Dwg Number
110005259

Init: SAN

DCC &EFS

No of pages
7

Date
8-09-2020

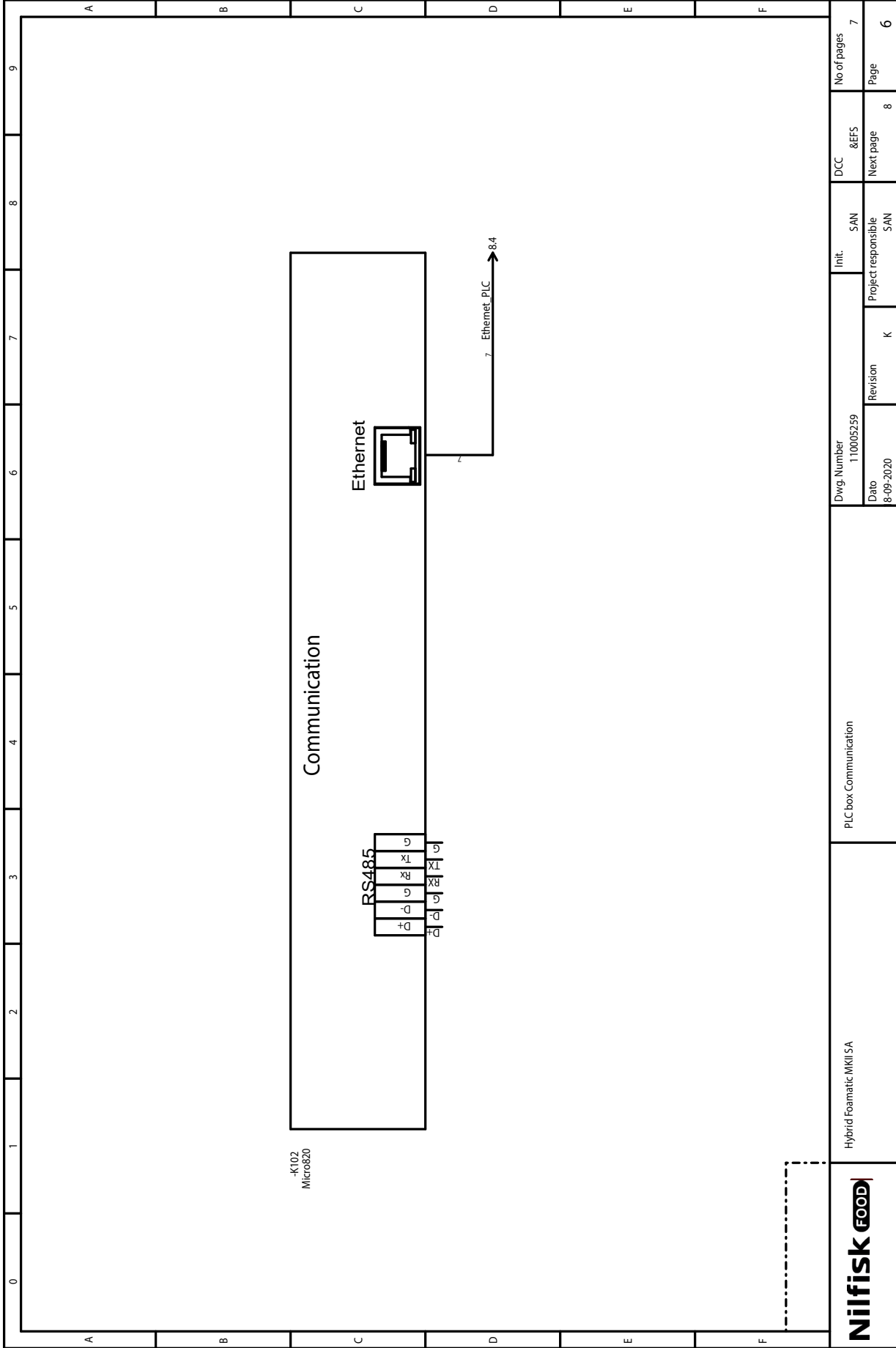
Revision
K

Project responsible
SAN

Next page
6

Page
5

EI Diagrams/Sensor Diagram



Hybrid Foamatic MKII SA

PLC box Communication

Dwg. Number
T10005259

Init.
SAN

No of pages
7

Date
8-09-2020

Revision
K

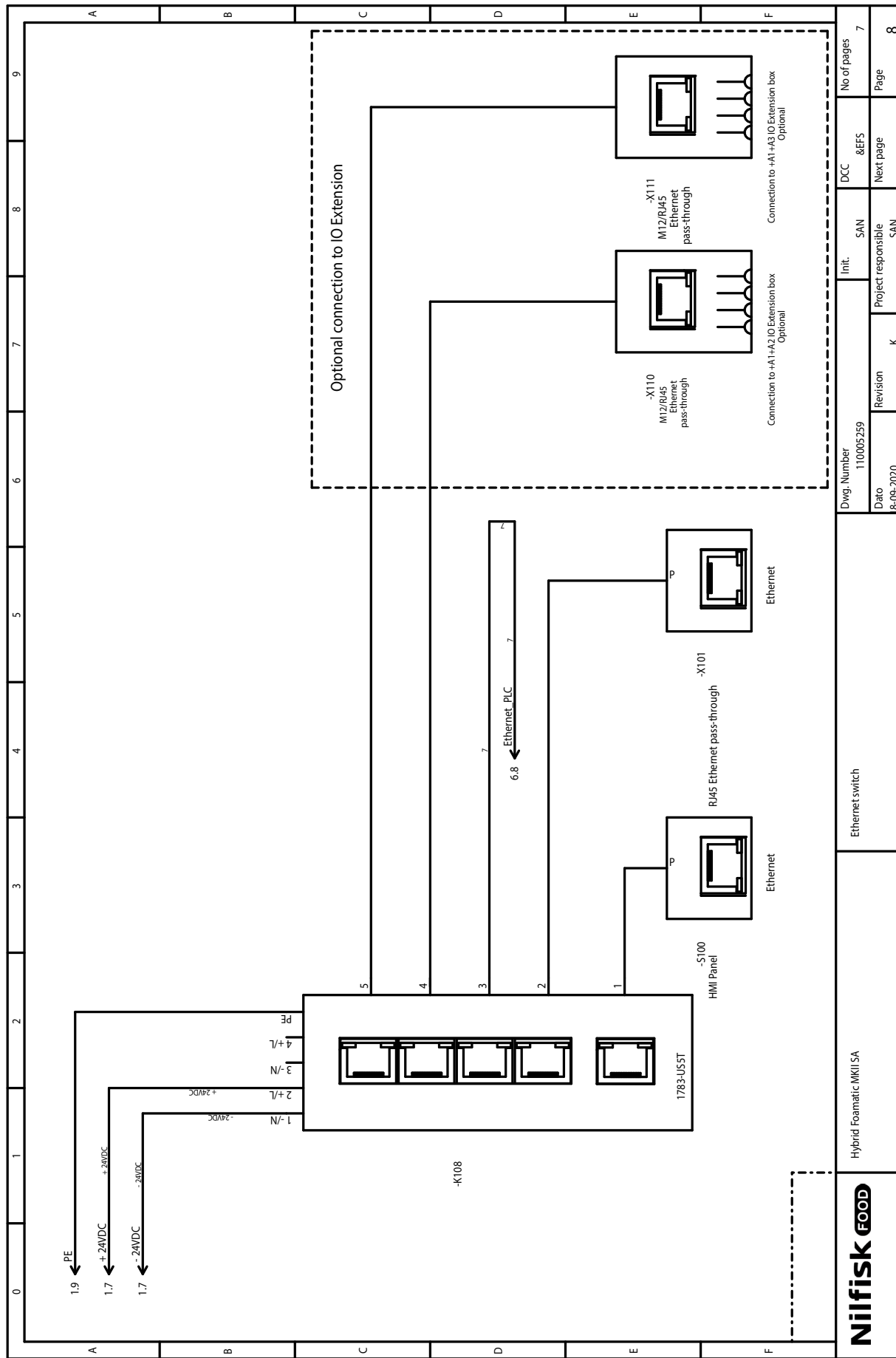
DCC
&EFS

Next page
8

Project responsible
SAN

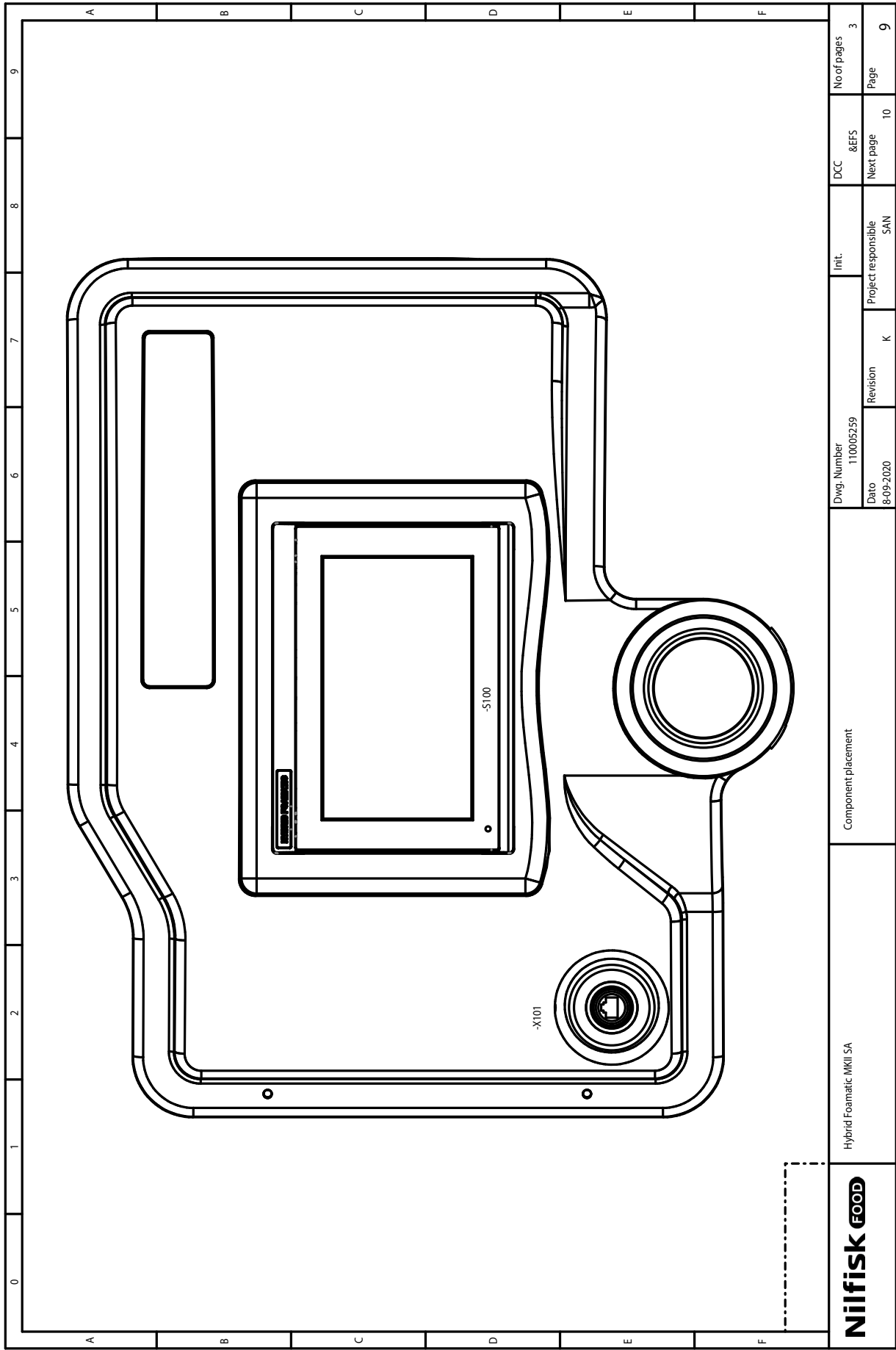
Page
6

EI Diagrams/Sensor Diagram



Nilfisk FOOD		Hybrid Foamatec MKII SA		Ethernet switch		Dwg. Number 110005259	Init. SAN	DCC &EFS	No of pages 7
						Date 8-09-2020	Revision K	Next page SAN	Page 8

El Diagrams/Sensor Diagram



Niifisk FOOD

Hybrid Foamatic MKII SA

Component placement

Dwg. Number
110005259

Date
8-09-2020

Revision
K

Project responsible
SAN

Init.

DCC

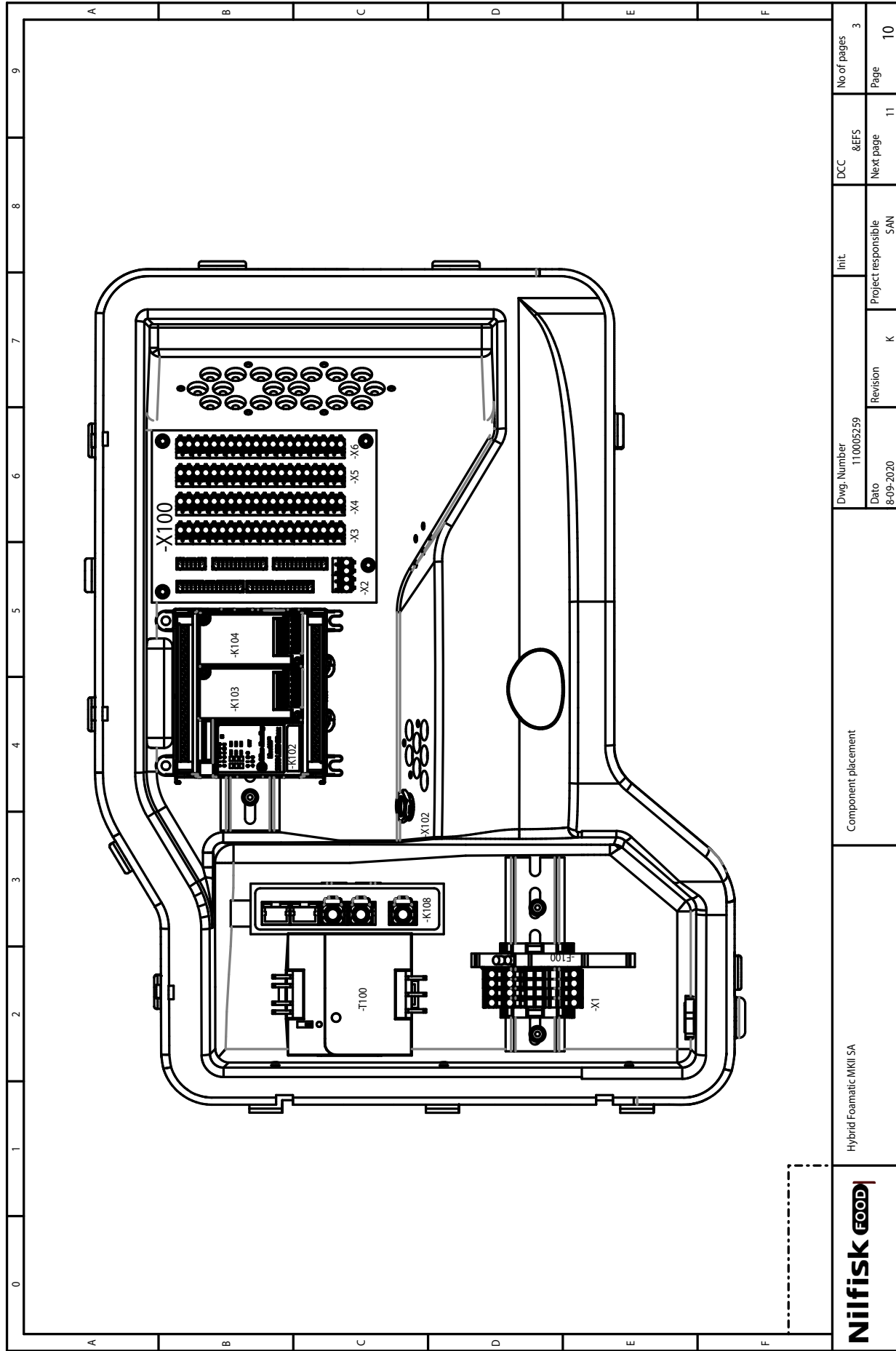
&EFS

Next page
10

Page
9

No of pages
3

EI Diagrams/Sensor Diagram



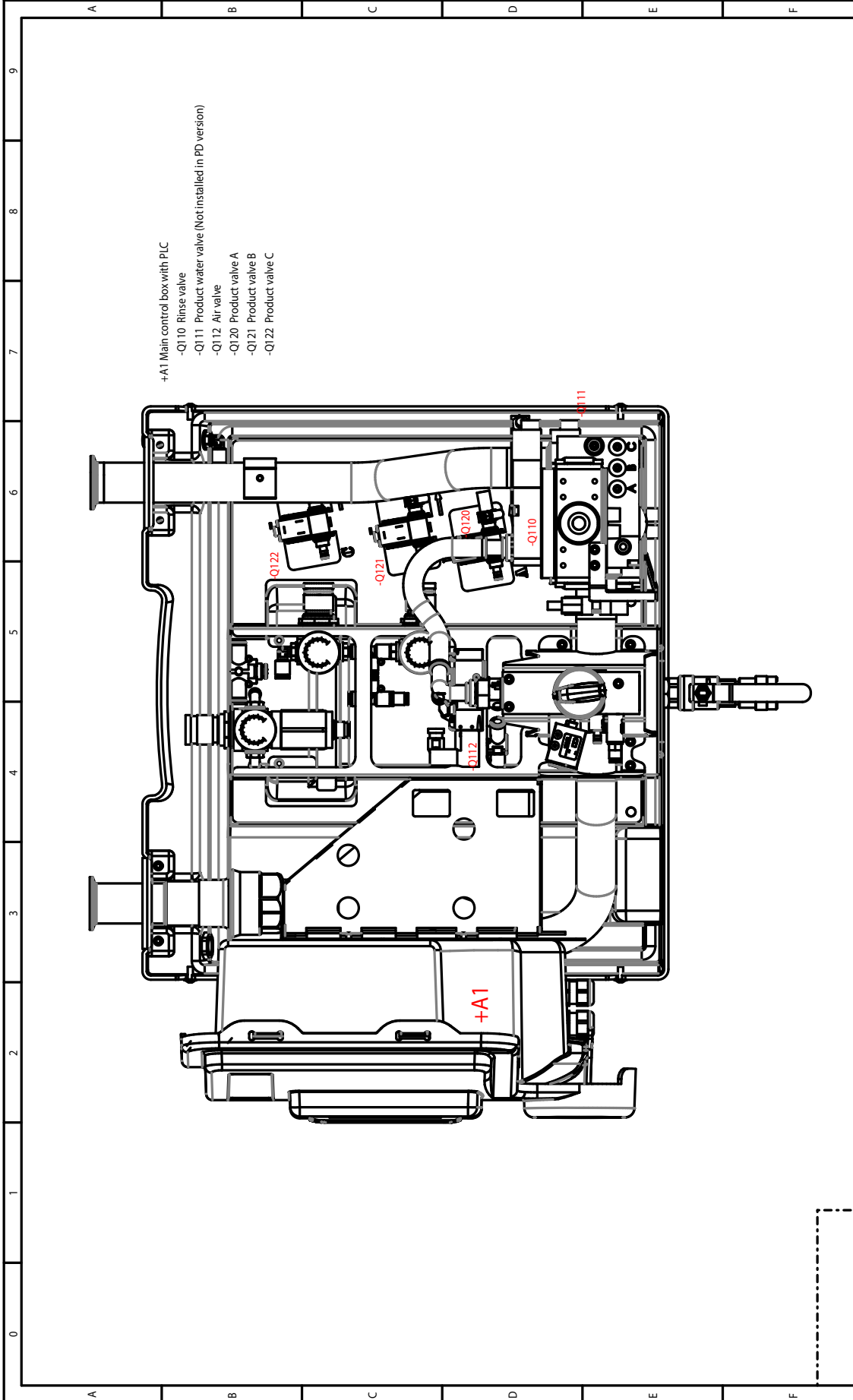
Nilfisk FOOD

Hybrid Foamatc MKII SA

Component placement

Dwg. Number	110005259	Init.	DCC	No of pages
Dato	8-09-2020	Revision	&EFS	3
		Project responsible	Next page	Page
		K	11	10
		SAN		

EI Diagrams/Sensor Diagram



- +A1 Main control box with PLC
- Q110 Rinse valve
- Q111 Product water valve (Not installed in PD version)
- Q112 Air valve
- Q120 Product valve A
- Q121 Product valve B
- Q122 Product valve C

Nilfisk FOOD

Hybrid Foamatic MKII SA

Component placement

Dwg. Number
110005259

Date
8-09-2020

Revision
K

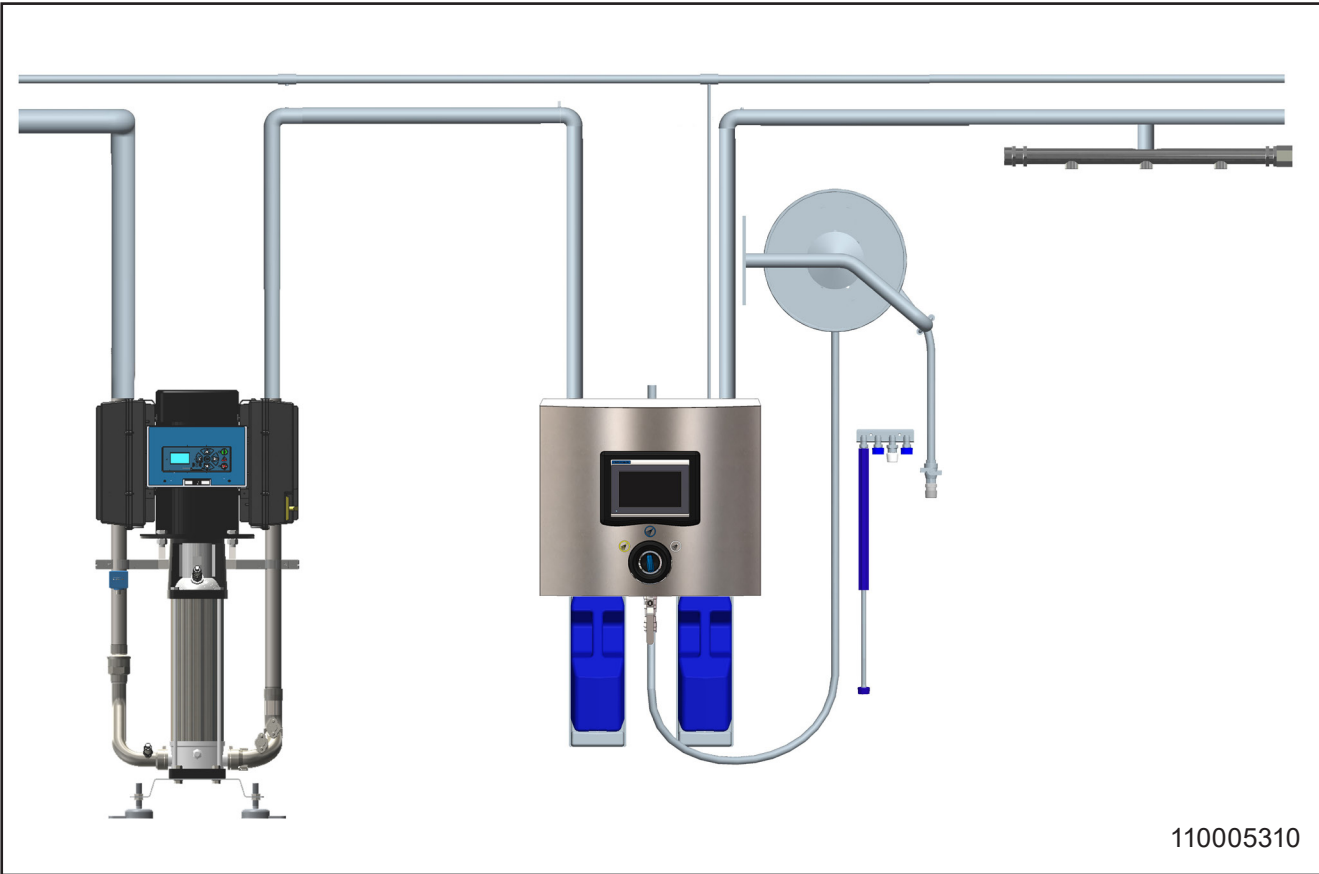
Project responsible
SAN

DCC
&EFS

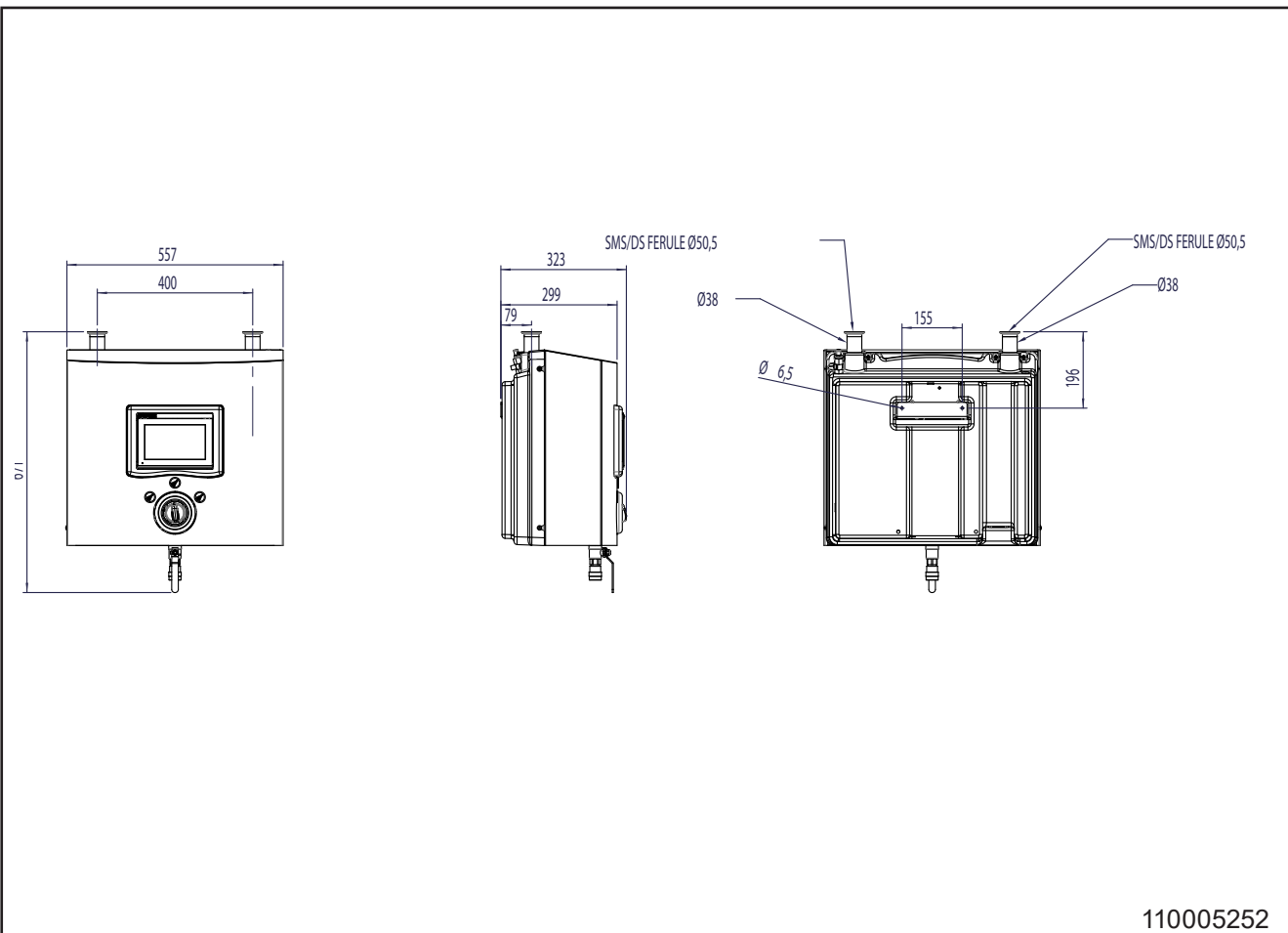
No of pages
3

Page
11

Installation

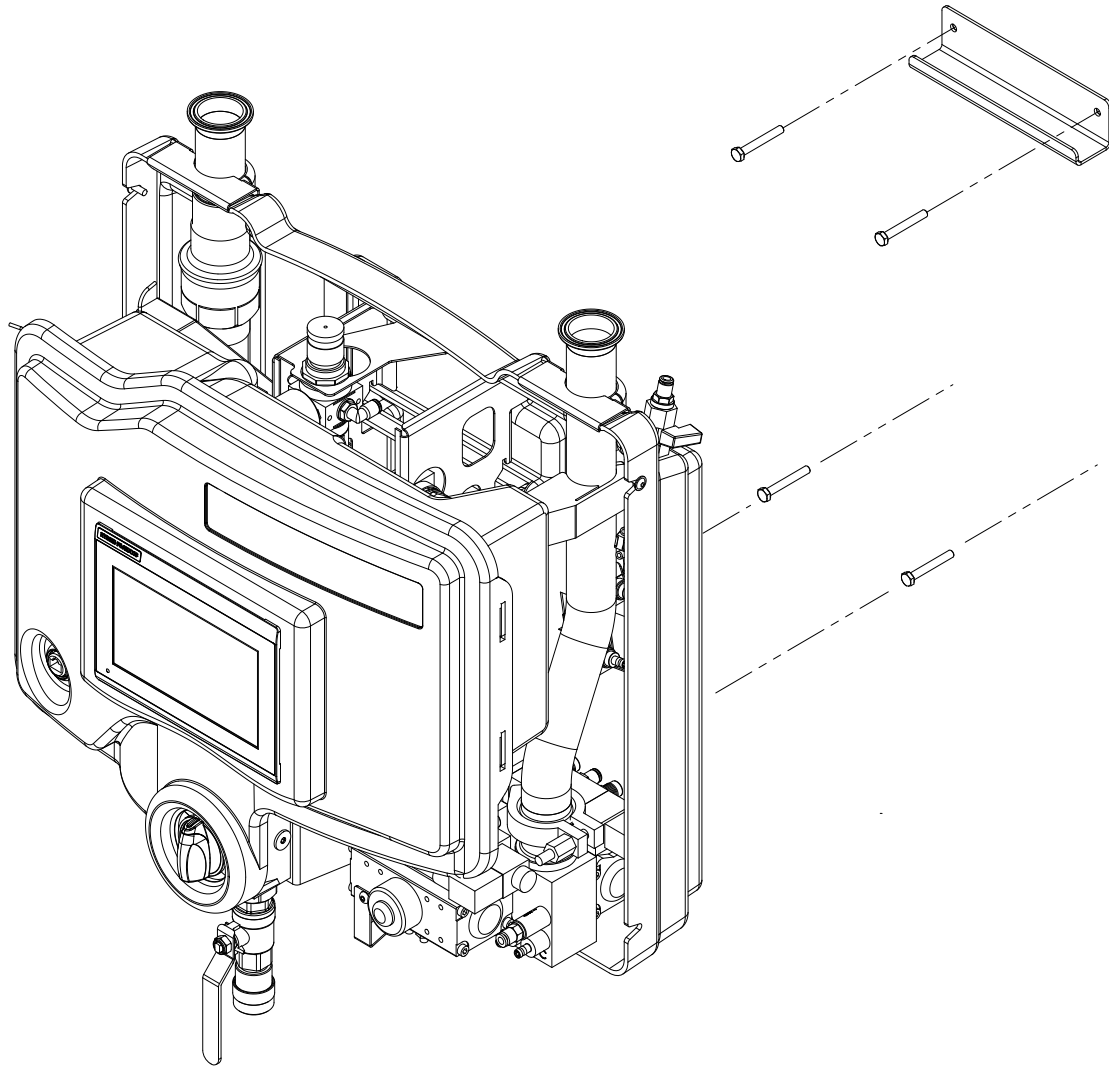


110005310



110005252

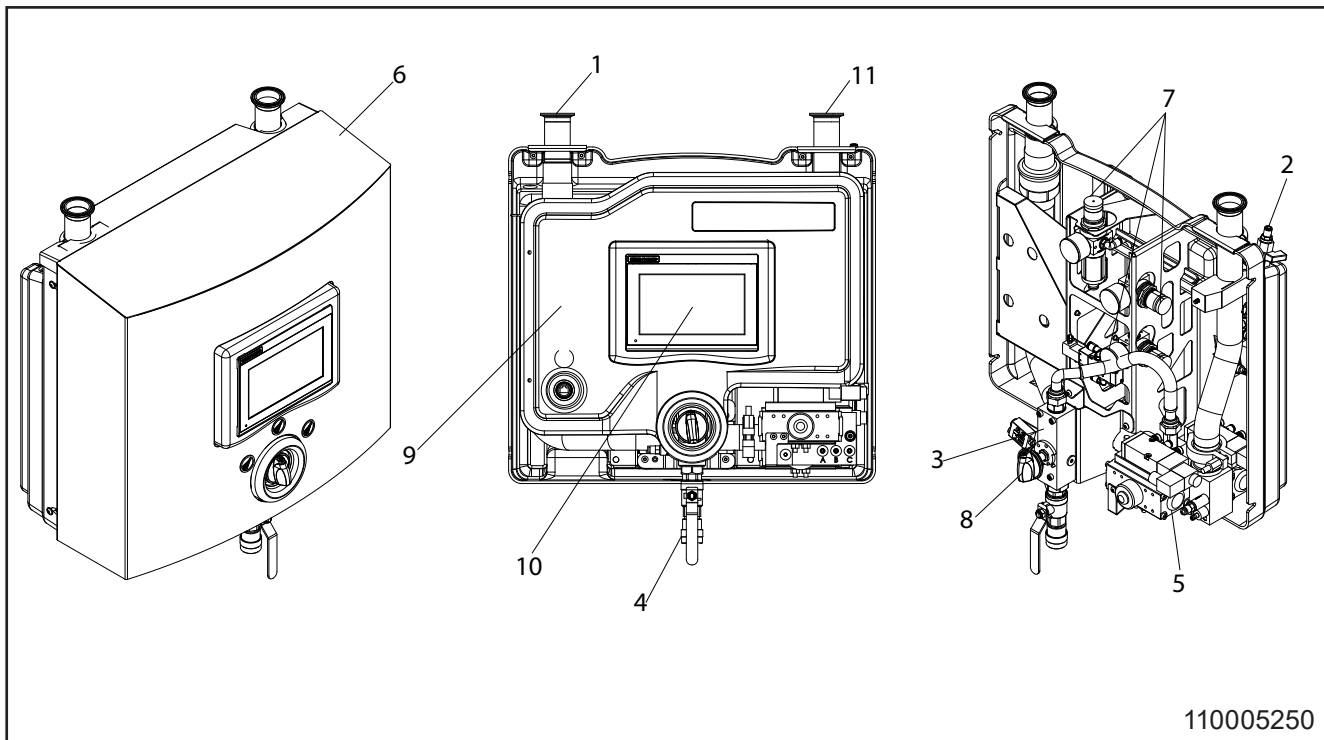
Mounting



110005254

Layout Hybrid Foamatic SA

Layout Hybrid Foamatic



	English	German	French	Spanish	Italian
1	Water inlet	Wassereinflaß	Entrée d'eau	Entrada de agua	Ingresso dell'acqua
2	Air inlet	Lufteinlass	Entrée d'air	Entrada de aire	Ingresso dell'aria
3	Manual block	Manueller Block	Bloc manuel	Bloque manual	Blocco manuale
4	Ball valve with quick coupling	Kugelventil mit Schnellkupplung	Robinet à boisseau sphérique avec raccord rapide	Válvula de bola con acoplamiento rápido	Valvola a sfera con attacco rapido
5	Automatic block	Automatischer Block	Bloc automatique	Bloque automático	Blocco automatico
6	Cover	Abdeckung	Couverture	Cubrir	Coperchio
7	Air regulator	Luftregler	Régulateur d'air	Regulador de aire	Regolatore dell'aria
8	Operation button	Bedientaste	Bouton de commande	Botón de funcionamiento	Pulsante di funzionamento
9	Controller	Regler	Contrôleur	Controlador	Centralina
10	Display	Display	Affichage	Visor	Display
11	Water outlet	Wasserabfluß	Sortie d'eau	Salida de agua	Uscita dell'acqua

Nilfisk **FOOD**

No.: 11005324X 05/2023
Serial no: 112.02.000XXX

Printed in Denmark