

# Hybrid Penta

SU11PD22, SU21PD22, SUPD21, SUPD22, SUPD32, SUPD33, SUPD22 DW



Directions for use (original)  
Gebrauchsanweisung  
Mode d'emploi  
Instrucciones de uso





## Declaration of Conformity

- (EN)** Declaration of Conformity
- (FR)** Déclaration de Conformité
- (ES)** Declaración de Conformidad
- (EL)** Δήλωση Συμμόρφωσης
- (SV)** Försäkran om överensstämmelse
- (DA)** Overensstemmelseserklæring
- (RU)** Декларация о соответствии
- (SL)** Izjava o skladnosti
- (SR)** Deklaracija o konformitetu
- (BG)** Декларация за съответствие
- (SK)** Prehlásenie o konformite
- (ET)** Vastavusdeklaratsioon
- (LV)** Paziņojums par atbilstību prasībām

## SUPD

- (DE)** Konformitätserklärung
- (IT)** Dichiarazione di Conformità
- (PT)** Declaração de Conformidade
- (NL)** Overeenkomstigheidsverklaring
- (FI)** Vaatimustenmukaisuusvakuutus
- (PL)** Deklaracja zgodności
- (HU)** Megfelelőségi nyilatkozat
- (HR)** Izjava o usklađenosti
- (RO)** Declarație de Conformitate
- (CS)** Prohlášení o shodě
- (TR)** Uygunluk Bildirgesi
- (LT)** Atitikties deklaracija
- (UK)** Свідчення про відповідність вимогам

**Nilfisk FOOD**  
**Blytækkervej 2**  
**9000 Aalborg**  
**Danmark**

## **EN** Declaration of Conformity

We Nilfisk FOOD, declare under our sole responsibility that the products HYBRID, to which this declaration relates, are in conformity with these Council directives on the approximation of the laws of the EC member states:

Function: Hygiene Station  
Model/Type: **SU-PD**  
Serial number: >11101001271

Machinery Directive (2006/42/EC:2006-05-17).  
Standard used: EN 12100: 2011

## **FR** Déclaration de conformité

Nous, Nilfisk FOOD, déclarons sous notre propre responsabilité que les produits HYBRID, auxquels se réfère cette déclaration, sont conformes à ces directives du Conseil sur le rapprochement des législations des États membres :

Fonction : Station d'hygiène  
Modèle/Type : **SU-PD**  
Numéro de série : >11101001271

Directive 2006/42/CE du 17 mai 2006 relative aux machines  
Normes appliquées: EN 12100: 2011

## **ES** Declaración de conformidad

Nosotros, Nilfisk FOOD, declaramos bajo nuestra única responsabilidad que los productos HYBRID, a los que se refiere esta declaración cumplen con las directivas de este Consejo sobre la legislación de los estados miembros de la CE:

Función: Estación de limpieza  
Modelo/tipo: **SU-PD**  
Número de serie: >11101001271

Directiva sobre máquinas (2006/42/EC:2006-05-17).  
Normativa usada: EN 12100: 2011

## **EL** Δήλωση συμμόρφωσης

Εμείς η Nilfisk FOOD, δηλώνουμε υπό την αποκλειστική μας ευθύνη ότι τα προϊόντα HYBRID, Με τον οποίο σχετίζεται αυτή η δήλωση, συμμορφώνονται με τις παρακάτω οδηγίες του συμβουλίου σχετικά με την προσέγγιση των νόμων των κρατών μελών της ΕΚ:

Λειτουργία: Σταθμός υγιεινής  
Μοντέλο/Τύπος: **SU-PD**  
Αριθμός σειράς: >11101001271

Οδηγία περί μηχανημάτων (2006/42/EC:2006-05-17).  
Χρησιμοποιούμενο πρότυπο: EN 12100: 2011

## **DE** Konformitätserklärung

Nilfisk FOOD, als alleinverantwortlich, erklären hiermit, dass: HYBRID in Übereinstimmung mit den Richtlinien zur Angleichung der Rechtsvorschriften der Mitgliedstaaten ist:

Funktion: Hygienestation  
Modell/Typ: **SU-PD**  
Seriennummer: >11101001271

Maschinendirektive (2006/42/EC:2006-05-17).  
Standarden: EN 12100: 2011

## **IT** Dichiarazione di conformità

Nilfisk FOOD dichiara sotto la sua esclusiva responsabilità che i prodotti HYBRID, ai quali fa riferimento la presente dichiarazione, sono conformi alle direttive del Consiglio concernenti il riavvicinamento delle legislazioni degli stati membri della UE:

Funzione: Stazione di igiene  
Modello/Tipo: **SU-PD**  
Numero di serie: >11101001271

Direttiva Macchine (2006/42/CE:2006-05-17).  
Standard utilizzato: EN 12100: 2011

## **PT** Declaração de Conformidade

A Nilfisk FOOD declara, por sua exclusiva responsabilidade que os produtos HYBRID, referidos nesta declaração, se encontram em conformidade com estas diretivas do Conselho relativas à aproximação das disposições legislativas dos Estados-Membros da CE:

Função: Estação de higiene  
Modelo/Tipo: **SU-PD**  
Número de série: >11101001271

Diretiva relativa às máquinas (2006/42/CE:2006-05-17).  
Norma utilizada: EN 12100: 2011

## **NL** Verklaring van overeenstemming

Wij, Nilfisk FOOD, verklaren geheel onder eigen verantwoordelijkheid dat de producten HYBRID, waarop deze verklaring betrekking heeft, in overeenstemming zijn met de volgende Richtlijnen van de Raad betreffende de onderlinge aanpassing van de wetgevingen van de EG-lidstaten:

Functie: Hygiëne-installatie  
Model/Type: **SU-PD**  
Serienummer: >11101001271

Machinerichtlijn (2006/42/EG:17-05-2006).  
Toegepaste norm: EN 12100: 2011

## **SV** Försäkran om överensstämmelse

Vi Nilfisk FOOD, tillkännager, under eget ansvar, att produkterna HYBRID, som omfattas av denna försäkran, är i överensstämmelse med rådets direktiv om tillnärmning av medlemsstaternas lagstiftning i EG:

Funktion: Hygienstation  
Modell/typ: **SU-PD**  
Serienummer: >11101001271

Maskindirektiv (2006/42/EC:2006-05-17).  
Standard som används: EN 12100: 2011

## **DA** Overensstemmelseserklæring

Nilfisk FOOD, erklærer under eneansvar, at produktet: HYBRID, som denne erklæring vedrører, er i overensstemmelse med følgende direktiver om tilnærmelse af EU medlemslandenes love:

Funktion: Hygiejnestation  
Model/Type: **SU-PD**  
Serienummer: >11101001271

Maskindirektiv (2006/42/EC:2006-05-17).  
Standarder: EN 12100: 2011

## **RU** Декларация соответствия

Мы, Nilfisk FOOD, принимая на себя всю ответственность, заявляем, что продукты HYBRID, которых касается настоящая декларация, соответствуют данным директивам Совета о приблизительном соответствии законам стран-членов СЕ:

Функциональное назначение: Гигиеническая станция  
Модель/Тип: **SU-PD**  
Серийный номер: >11101001271

Директива машин (2006/42/EC:17-05-2006).  
Используемый стандарт: EN 12100: 2011

## **SL** Izjava o skladnosti

V podjetju Nilfisk FOOD pod izključno odgovornostjo izjavljamo, da so izdelki HYBRID, na katere se nanaša ta deklaracija, skladni z naslednjimi direktivami Sveta in ustreznimi zakoni v državah članicah ES:

Funkcija: Higijenska postaja  
Model/tip: **SU-PD**  
Serijska številka: >11101001271

Direktiva o strojih (2006/42/ES:2006-05-17).  
Uporabljeni standardi: EN 12100: 2011

## **FI** Vaatimustenmukaisuusvakuutus

Me Nilfisk FOOD vakuutamme yksinomaisella vastuulla, että tuotteet HYBRID, jota tämä vakuutus koskee, noudattavat direktiivejä, jotka käsittelevät EY:n jäsenvaltioiden lakien yhdenmukaisuutta koskien seuraavia:

Toiminto: Hygienia-asema  
Malli/tyyppi: **SU-PD**  
Sarjanumero: >11101001271

Konedirektiivi (2006/42/EY:2006-05-17).  
Käytetty standardi: EN 12100: 2011

## **PL** Deklaracja zgodności

Firma Nilfisk FOOD z pełną odpowiedzialnością oświadcza, że produkty HYBRID, których dotyczy ta deklaracja, spełniają wymogi poniższych dyrektywa Rady zgodnymi z prawem obowiązującym państwa członkowskie UE:

Funkcja: Stacja higieniczna  
Model/typ: **SU-PD**  
Numer seryjny: >11101001271

Dyrektywa Maszynowa (2006/42/EC:2006-05-17).  
Stosowana norma: EN 12100: 2011

## **HU** Megfelelőségi nyilatkozat

Mi, a Nilfisk FOOD, kizárólagos felelősségünk tudatában kijelentjük, hogy a HYBRID, Amelyekre ez a nyilatkozat vonatkozik, megfelelnek az EU tagállamok törvényi rendelkezéseinek közelítéséről szóló tanácsi irányelveknek:

Funkció: Higiéniai állomás  
Modell/Típus: **SU-PD**  
Sorozatszám: >11101001271

Gépekre vonatkozó irányelv (2006/42/EC:2006-05-17).  
Alkalmazott szabvány: EN 12100: 2011

## **HR** Izjava o usklađenosti

Mi, tvrtka Nilfisk FOOD, izjavljuje pod potpunom odgovornošću da su proizvodi HYBRID, na koje se ova izjava odnosi, skladni sa sljedećim uredbama Vijeća za približnost zakona država članica Europske zajednice:

Funkcija: Higijenska postaja  
Model/vrsta: **SU-PD**  
Serijski broj: >11101001271

Izjava o strojevima (2006/42/EC:2006-05-17).  
Primijenjena norma: EN 12100: 2011

## **SR** Deklaracija o konformitetu

Mi, Nilfisk FOOD, izjavljujemo pod sopstvenom isključivom odgovornošću da su proizvodi HYBRID, na koje se odnosi ova izjava, u skladu sa direktivama Veća o primeni zakona država članica EZ:

Funkcija: Stanica za higijenu  
Model/tip: **SU-PD**  
serijski broj: >11101001271

Direktiva o mašinama (2006/42/EC:2006-05-17).  
Primenjen standard: EN 12100: 2011

## **BG** Декларация за съответствие

Ние, Nilfisk FOOD, декларираме на своя отговорност, че продуктите HYBRID, за които се отнася настоящата декларация, са в съответствие със следните директиви на Съвета относно сближаването на законодателствата на държавите членки на ЕО:

Функция: Хигиенна станция  
Модел/Тип: **SU-PD**  
Сериен номер: >11101001271

Директива относно машините (2006/42/EO: 17.05.2006 г.).  
Използван стандарт: EN 12100: 2011

## **SK** Prehlásenie o zhode

My, spoločnosť Nilfisk FOOD týmto na našu výhradnú zodpovednosť vyhlasujeme, že produkty HYBRID, na ktoré sa toto vyhlásenie vzťahuje, sú v súlade s nasledujúcimi smernicami Rady o aproximácii zákonov členských štátov ES:

Funkcia: Hygienická stanica  
Model/typ: **SU-PD**  
Sériové číslo: >11101001271

Smernica o strojných zariadeniach (2006/42/ES: 17.5.2006).  
Použitá norma: EN 12100: 2011

## **ET** Vastavusdeklaratsioon

Käesolevaga kinnitab Nilfisk FOOD oma ainuvastutusel, et tooted "HYBRID." mille kohta käesolev deklaratsioon kehtib, vastavad nõukogu direktiividele ELi liikmesriikide õigusaktide ühtlustamise kohta:

Funktsioon: Hügieenijaam  
Mudel/tüüp: **SU-PD**  
Seerianumber: >11101001271

Masinaidirektiiv (2006/42/EÜ:2006-05-17).  
Kasutatav standard: EN 12100: 2011

## **RO** Declarație de conformitate

Subscrisa, Nilfisk FOOD, declară pe propria răspundere că produsele HYBRID La care se referă prezenta declarație, sunt în conformitate cu următoarele directive ale Consiliului privind apropierea legislațiilor statelor membre CE:

Funcție: Stație de igienizare  
Model/Tip: **SU-PD**  
Număr de serie: >11101001271

Directiva Mașini (2006/42/EC:2006-05-17).  
Standarde utilizate: EN 12100: 2011

## **CS** Prohlášení o shodě

Společnost Nilfisk FOOD na vlastní odpovědnost prohlašuje, že produkty HYBRID, na které se toto prohlášení vztahuje, vyhovují požadavkům následujících směrnic rady v rámci harmonizace se zákony členských států EU:

Funkce: Hygienická stanice  
Model/Typ: **SU-PD**  
Výrobní číslo: >11101001271

Směrnice o strojních zařízeních (2006/42/EC:2006-05-17).  
Použitá norma: EN 12100: 2011

## **TR** Uygunluk Beyanı

Biz Nilfisk FOOD olarak tamamen kendi sorumluluğumuz altında beyan ederiz ki, bu beyanın konusu olan HYBRID, ürünün AT üye ülkelerinin yürürlükteki yasaları kapsamında Konsey direktiflerine uygundur:

Fonksiyon: Hijyen İstasyonu  
Model/Tip: **SU-PD**  
Seri numarası: >11101001271

Makine Direktifi (2006/42/EC:2006-05-17).  
Kullanılmış standartlar: EN 12100: 2011

## **LT** Atitikties deklaracija

Mes, bendrovė „Nilfisk FOOD“, išimtinai savo atsakomybe pareiškiamo, kad gaminiai pavadinimu „HYBRID“, kuriems taikoma ši deklaracija, atitinka šias Tarybos direktyvas dėl EB valstybių narių įstatymų suderinimo:

Paskirtis: Higienos terminalas  
Modelis / tipas: **SU-PD**  
Serijos numeris: >11101001271

Mašinų direktyvą (2006/42/EB:2006-05-17),  
taikytas standartas: EN 12100: 2011

## **LV** Atbilstības deklarācija

Mēs, uzņēmums „Nilfisk FOOD”, uzņemties pilnu atbildību, apliecinām, ka produktu HYBRID, uz kuru šī deklarācija attiecas, atbilst tālāk norādītajām Padomes direktīvām par ES dalībvalstu likumdošanas tuvināšanu.

Funkcija: Higiēnas stacija.  
Modelis/tips: **SU-PD**  
Sērijas numurs: >11101001271

Mašīnu direktīva (2006/42/EK, 17.05.2006.)  
Izmantotais standarts: EN 12100: 2011

### **Technical file responsible:**

Flemming Asp  
Nilfisk FOOD  
Blytaekkervej 2  
9000 Aalborg, Denmark

## **UK** Свідчення про відповідність вимогам

Ми, Nilfisk FOOD, з повною відповідальністю заявляємо, що продукти HYBRID, До яких відноситься ця декларація, перебувають у відповідності до наведених нижче директив Ради ЄС щодо зближення законодавства держав-членів ЄС:

Функція: Гігієнічна станція  
Модель/Тип: **SU-PD**  
Серійний номер: >11101001271

Директива щодо машинного обладнання (2006/42/ЄС:2006-05-17).  
Використаний стандарт: EN 12100: 2011

### **Signature:**












Flemming Asp  
R & D Manager  
Aalborg d. 01-11-2022

<b>1. Contents</b>	
<b>2. Symbols used in this document</b>	9
<b>3. General information</b>	10
3.1. Identification Plate	11
3.2. Supplier	11
3.3. Specifications	12
<b>4. Overview and Use</b>	13
<b>5. System Safety</b>	13
5.1. Closing valve for water supply	13
5.2. Closing valve for air supply	13
5.3. Anticipated failures	13
5.4. Residual Risk	14
<b>6. Installation</b>	14
6.1. Noise	14
6.2. Directions for Mounting	14
6.3. Transportation	14
6.4. Vibrations	14
6.5. Water Connection	14
6.6. Air Connection	15
6.7. Supply of Detergent	15
6.7.1. Satellite <u>without</u> User Pack System	15
6.7.2. Satellite <u>with</u> User Pack System	15
6.7.3. Satellite with prediluted detergent in pipes	15
6.8. Installation of hoses for prediluted detergent	16
6.9. Hose connection	16
6.10. Mounting of hose for pre-diluted chemical	16
<b>7. Initial start up</b>	17
7.1. Adjustment of detergent	17
7.1.1. Limiting nozzle (SU21PD22/SU11PD22)	17
7.2. Adjustment of air	17
<b>8. Operation</b>	18
8.1. Start satellite	18
8.2. Stop satellite	18
8.3. Rinsing the chemical supply/injector system	18
<b>9. Maintenance, Trouble shooting, Service</b>	19
9.1. Preventive maintenance	19
9.2. Replacing gaskets	19
9.3. Deliming	19
9.4. Coupling	19
9.5. Internal cleaning of the unit	19
9.6. Replacing hose and service of checkvalve	20
9.7. Trouble Shooting and Remedy	21
9.8. Service address	21
<b>10. Tools</b>	22
<b>11. End of Use</b>	23
11.1. Dismounting	23
11.2. Disposal	23
<b>12. Spare parts</b>	73



## 2. Symbols used in this document

	Read before Use
	Wear glasses when using the unit.
	Wear gloves and suitable clothing when using the unit.
	Use ear defenders
	Avoid splashing on animals, people or electrical installations
	<b>Note:</b> A potentially damaging situation. Possible consequences: The product or something in its vicinity could be damaged. Prevention.
	<b>Caution:</b> A dangerous situation.'Possible consequences: light or minor injuries. Can also be used in warn against damage to property or other goods prevention.
	<b>Warning:</b> A Potentially dangerous situation. Possible consequences: Death or severe injury Prevention.
	<b>Danger:</b> A dangerous situation.'Possible consequences: Death or severe injury Prevention.

### 3. General information

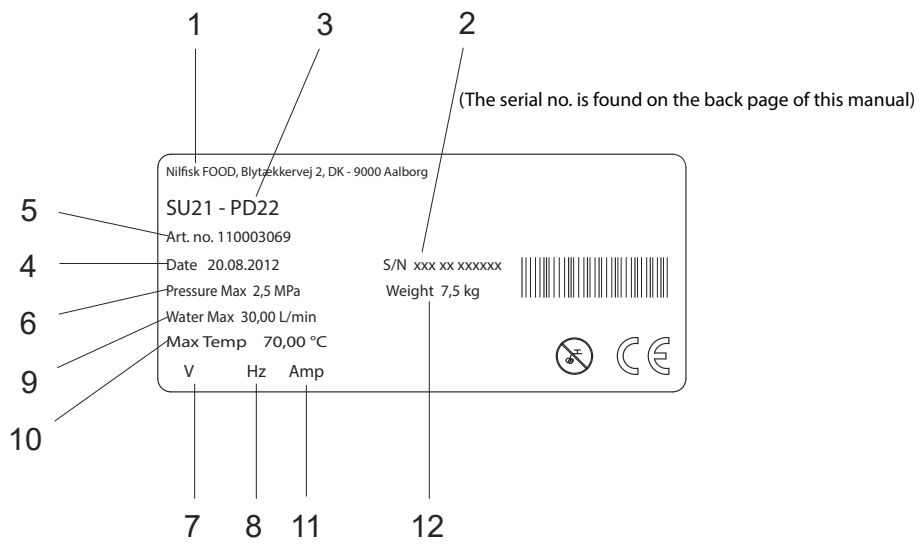
Nilfisk FOOD congratulates you on your new low-pressure foam and sanitising cleaning equipment.

The equipment provides the latest standard of technology in low pressure cleaning equipment in your factory.

The equipment can be used for rinsing, foaming and application of disinfectants.

It is important that your operational staff read these directions for use prior to installation, start up and use of the equipment.

### 3.1. Identification Plate



1. Producer
2. Serie No.
3. Type
4. Date of production
5. Article No.
6. Maximum pressure
7. Supply voltage
8. Frequency
9. Maximum water consumption
10. Maximum temperature
11. Current
12. Weight

### 3.2. Supplier

Nilfisk FOOD  
 Blytækkervej 2  
 DK-9000 Aalborg, Denmark  
 Tel.: +45 7218 2000  
 CVR no. 6257 2213  
 www.nilfiskfood.com

### 3.3. Specifications

<b>Water</b>	
Connection type inlet	ISO7/1-R1/2
Connection type outlet	½" quick coupler
Water consumption - foaming*	8,7 l/min@20 bar
Water consumption - spraying*	8,7 l/min@20 bar
Water consumption - rinsing	24,8 l/min@20 bar
Min. inlet pressure	12 bar
Max. inlet pressure	25 bar
Max. water temperature	70°
<b>Pre-diluted detergent</b>	
Connection type inlet	ISO 228-G 1/2 Male
Min. inlet pressure prediluted products	6 bar
Max. inlet pressure prediluted products	10 bar
Prediluted products consumption	7.1 l/min@8 bar
<b>Compressed air supply</b>	
Connection type inlet	Ø6 push in
Min. pressure of air supply	6 bar
Max. pressure of air supply	10 bar
Required flow rate	200 NI/min
<b>Nozzles (recommended)</b>	
Rinsing nozzle	25/30
Foam nozzle	50/150
Spray nozzle	40/30
<b>General</b>	
Number of products	2-4
Number of pre-diluted products	2-3
Max, hose length (recommended)	30 m (25 m)
Sound level ISO 11202	Below 70dB
Weight	7,5 kg
Dimensions H x W x D	530mm x 400mm x 140mm
* Local pick up	

## 4. Overview and Use

The Hybrid unit is a complete cleaning station to be connected to a booster unit or a main station. The unit requires sufficient supply of water, compressed air and detergent or disinfectant.

### Consumptions:

The unit is approved for the use of detergents and disinfectants.



**Warning:** Do not change the settings made or recommended by the supplier of the detergents!

Detergents are supplied via a User Pack system or from separate standard cans. Supply is also possible via piping systems.

Before installation and set up of the unit always read this instruction thoroughly. Always make sure to follow personal safety procedures for chemicals in connection with refilling procedures (product change), maintenance and repair. See also product label and MSDS sheet.

### Safety instructions

Only professional service personnel are allowed to carry out service and repairs on the unit.

Only instructed personnel are allowed to operate the unit.

## 5. System Safety

In case of error/defect or service on equipment:

1. Close the water supply
2. Close the air supply
3. Close the prediluted supply

### 5.1. Closing valve for water supply.

With this valve the unit can be isolated from the water supply. Further, a non-return valve is built in the block to prevent backflow of water.

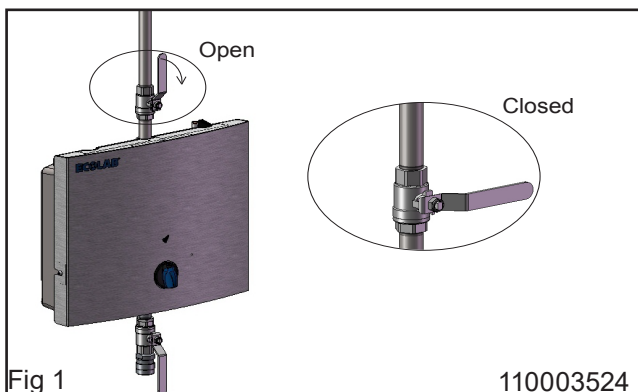


Fig 1

110003524

### 5.2. Closing valve for air supply.

With this valve the unit can be isolated from the air supply. Two non-return valves for air are built in the unit to prevent backflow of air.

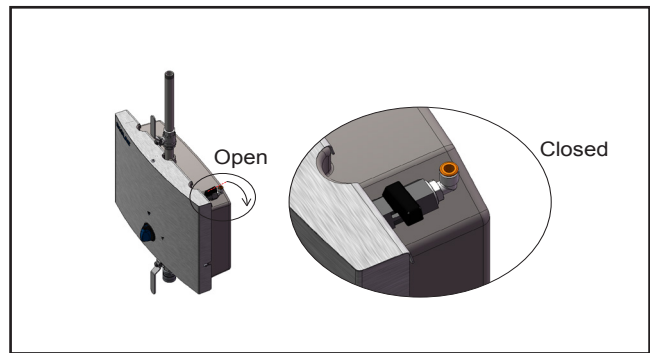


Fig 2

110003523

	The air pressure regulation/gauge only works when the supply valve is open.
	Wear glasses when using the unit.
	Wear gloves and suitable clothing when using the unit.
	Use ear defenders
	Avoid splashing on animals, people or electrical installations

### 5.3. Anticipated failures

Bursted air tube in unit:

- The unit must never be used without the front cover being mounted.
- The air closing valve on /in connection with the unit must always be closed when not in use.
- Air tube and fitting should be examined regularly and exchanged in case of visible damages.

Breakdown of non-return valves for air and water:

- The unit must never be used without the cover being mounted.
- Air and water closing valve on/in connection with the unit must always be closed when the unit is not in use.
- After use of the unit all chemical non-return valves must be thoroughly rinsed with clean water. Follow instructions in paragraph 8.3.
- Non-return valves for air and water should be examined minimum once a year by authorised personnel for defects.

Repair of unit:

- Do not attempt to repair a defect unit by yourself. Always contact an authorised service company.
- Block and mark any defect unit in order to avoid unintended use - see paragraph below regarding "Rest risk - Use of the unit"
- For safety reasons only use approved and original spare parts.
- Equalise the system pressure before servicing the system.
- When using hot water, pipes, components etc. become hot. Ensure the items have cooled down prior to servicing.

#### 5.4. Residual Risk

Use of Unit:

- Never use the unit without prior instructions in use of the unit and its safety instructions. The instruction must be prepared by an educated/instructed person.
- Never use the unit without having read the enclosed guide and safety instructions.
- Always close water and air supply after use.
- Exposure to aerosol, biological and microbiological agent can be an issue depending on the working procedure, work area and the subject(s) to be cleaned.

Damaged unit:

- Never use the unit if leakages (air, water or chemical) are observed.
- Never use the unit if it is not possible to operate the closing valves and/or if it is not possible to select required operation.
- Never use the unit if it has been dislodged for its original place of mounting.

## 6. Installation

For safety reasons it is important to read all of the enclosed information before installation of this equipment. In addition, the legislation in force at the time of purchase must always be considered in connection with the installation and mounting of this equipment, no matter the contents of this manual. If there are matters of dispute please contact your dealer.

#### 6.1. Noise

Sound level according to ISO 11202; Below 70 dB

#### 6.2. Directions for Mounting



- The unit should be mounted in frost-free rooms only.
- The unit can be mounted on a wall or on a separate frame which may be installed in production areas and anchored to the floor.
- Remove cover before the unit is mounted on the wall.
- For mounting on walls, please note the following:
- The wall for mounting should be either a stable brick wall or a wall made of concrete.



- The delivered bracket should be secured to the wall by the enclosed screws and corresponding dowels
- The wall bracket should be mounted on the wall according to the above description and the station is hung on to the bracket. The hose and User Pack holders should be mounted afterwards. (See Installation/Mounting)

#### 6.3. Transportation

For secure transportation of the unit, we recommend always to ensure, that the unit can not slide or tip.

The unit might have to be secured with straps.

Transportation of the unit only in horizontal position:

The unit must not be placed on the front where you find the operation panel. Neither can it be placed on top or bottom where connections and outlets are mounted.

In case the unit is moved at a temperature of approx or below 0°C (32°F), you must always make sure that the unit has been fully emptied for water. If this is not the case, you may damage the unit.

#### 6.4. Vibrations

Hand-arm vibrations according to ISO 5349-1

#### 6.5. Water Connection

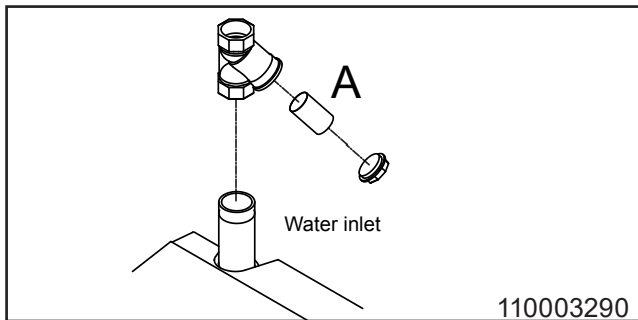


- Before the unit is connected to the water supply pipe, the supply line should be rinsed carefully in order to remove coarse impurities and metal shavings.
- The connection for water must be made at the top of the unit. (see layout drawing).
- The recommended pipe size is 3/4" (The minimum is 1/2" pipe). The connection to the unit is external 1/2" thread.
- The unit must be fitted with a closing valve for water on the inlet (see layout drawing).
- The pressure loss in the supply line must be held as low as possible by
  - avoiding long supply pipes
  - mounting low pressure resistance ball valves and
  - avoiding fittings with high pressure loss.
- When installing the piping, take care to avoid air traps.
- All pipe connections to the unit must be screwed connections ensuring simple maintenance and dismantling of the station.

Max. allowed temperature of supply water: 70°C  
 Max. allowed pressure of supply water: 25 bar  
 Water consumption at rinsing mode: 30 l/min



For an optimum functioning of the injector system, we recommend installing a filter on the inlet to avoid impurities. See drawing no 110003290



**6.6. Air Connection**



Before the unit is connected to the air supply, the pipe system must be carefully rinsed in order to remove coarse impurities.

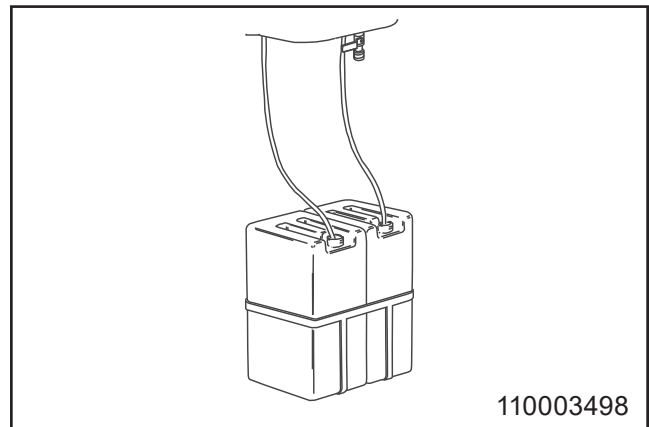
- The unit requires an air supply boosting
  - an inlet pressure of minimum 6 bar
  - a minimum capacity of 200 l/min.
- The air supply pipe is connected directly with a quick fitting for easy dismantling. In all units an inlet valve with 1/4" thread is fitted (layout drawings).

**6.7. Supply of Detergent**

**6.7.1. Satellite without User Pack System.**

See drawing no 110003498

- Place the can with detergent in the can holder
- Check the suction filter for impurities.
- Put the suction hose into the can below product level and avoid suction of air.
- After pre-rinsing, check again that the hose is sufficiently below product level and avoid suction of air during foam or spray operation.



- After use of and when changing product as well as after use of the unit, remove the hose from the can and rinse the product inlet line and injector with clean water.

**6.7.2. Satellite with User Pack System**

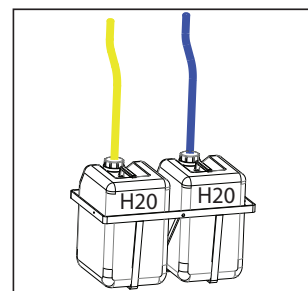
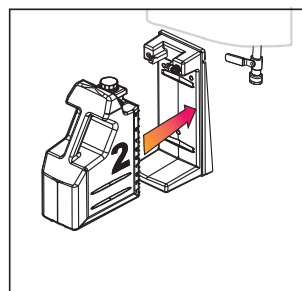
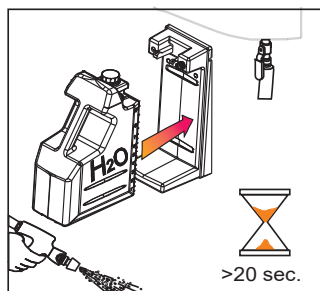
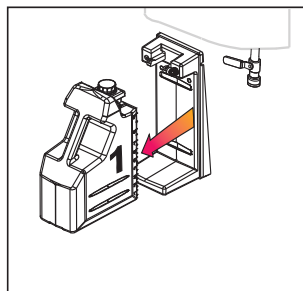
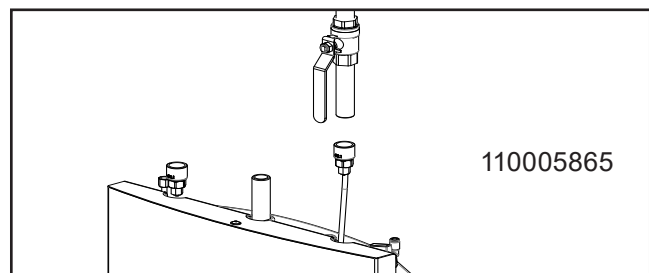
See drawing no 110003485.

- Place the specially designed User Pack in the automatic holder.
- If changing to a different product when ending the cleaning process, rinse the product inlet line with clean water as follows:
- Replace the User Pack containing product by one with clean water; place the foam nozzle and open the spray gun/outlet valve. The product inlet line is now rinsed with clean water before use of another product.

**6.7.3. Satellite with prediluted detergent in pipes**



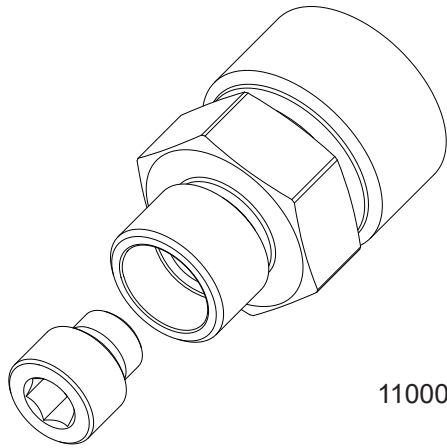
For safe installation and service - Install a ball valve on the pipe for the prediluted detergent close to the satellite



110003485

**6.8. Installation of hoses for prediluted detergent**

Please install gasket/ flow limiter in the enclosed hexagon nipple, use a 4mm hex key.



110007856A

Install the hexagon nipple in the supply pipe, use appropriate sealant. The connection of prediluted inlet of the unit is external 1/2" thread.

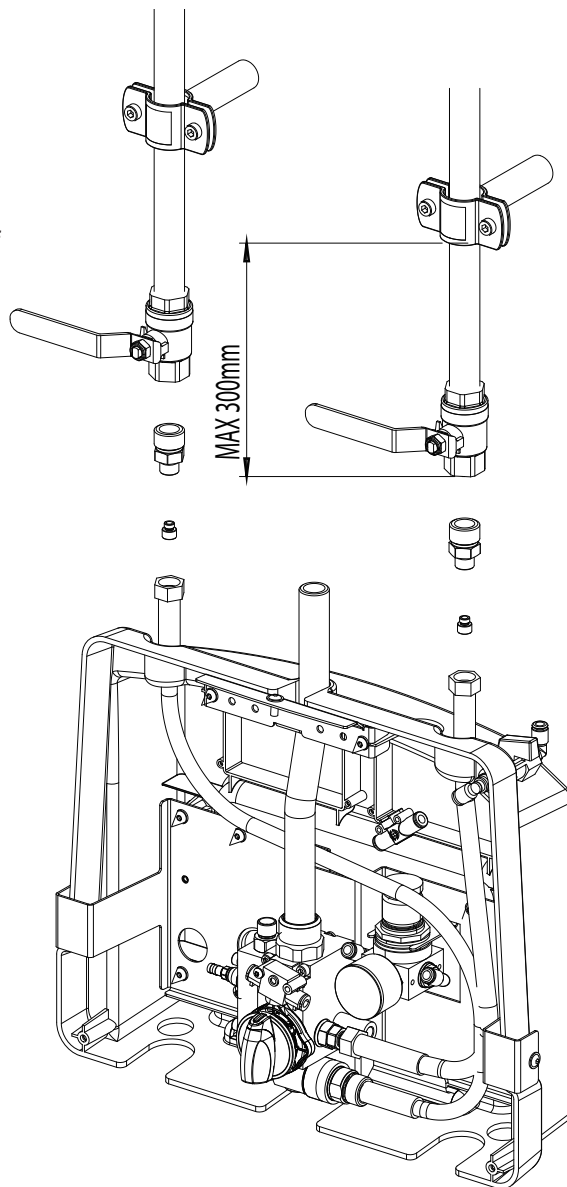
Attach the hose to the hex nipple using a spanner to secure the union nut. Make sure the hose is secured before opening the prediluted detergent supply.

**6.9. Hose connection**

- The special hose fitted with spray gun/outlet valve is connected to the outlet quick coupling of the unit (layout drawing)
- Maximum hose length: 30 m
- It is recommended only to use Nilfisk FOOD hoses which have been tested for resistance.

**6.10. Mounting of hose for pre-diluted chemical**

- First - Connect the inlet nozzle to the inlet pipe
- Second - Connect the inlet nozzle to the inlet hose



110006227B



## 7. Initial start up

### 7.1. Adjustment of detergent

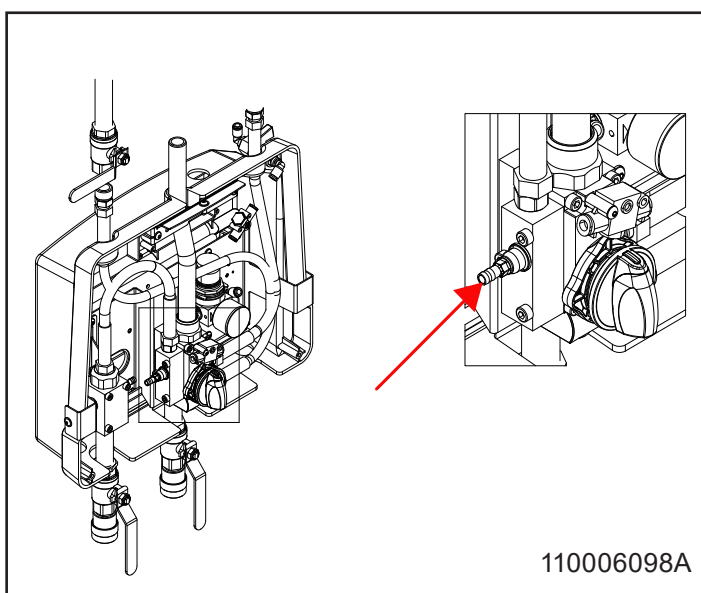
Adjustment of detergent can be done by means of a limiting nozzle.

#### 7.1.1. Limiting nozzle (SU21PD22/SU11PD22)

Remove cover from the unit.

The limiting nozzle is placed in the suction nipple of the non-retur valve (110006098) and can be replaced with a smaller or larger nozzle depending on the concentration needed, please also see table for guidelines.

Reinstall cover when adjustment is done.



### 7.2. Adjustment of air

Remove the cover from the unit.

Adjust the air pressure on the reduction valve until an appropriate foam quality is reached.



Nozzle size in mm	Concentration by 20 Bar/290PSI
Clear	0,36 %
Pink	0,51 %
Light blue	0,64 %
Purple	0,70 %
Turquios	1,43 %
Yellow	1,95 %
Brown	2,01 %
Orange	2,18 %
Green	2,62 %
Tan	3,94 %
Blue	4,88 %
White	6,02 %
Red	6,87 %
Beige	7,36 %
Black	7,86 %
Grey	7,96 %



When setting the regulator, carefully pull up the knob and turn it clockwise for pressure increase and counter clock wise for pressure decrease.



All tests have been made with water.

Nozzle size in mm	Concentration by 20 Bar in %
0,4	0,75
0,5	1,15
0,6	1,65
0,7	2,20
0,8	2,90
0,9	3,60
1,0	4,40
1,1	5,3
1,5	9,4

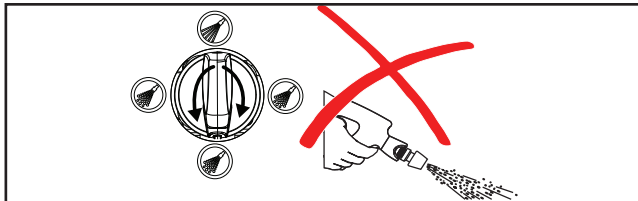


110003805

## 8. Operation

### 8.1. Start satellite

- Make sure that the water and air supply to the unit is open, see layout drawing. In case of central chemical supply this must be activated too.
- Select requested function. Use the unit according to the "User Guide".
- Never activate the spray handle while using the switch to select a function.



### 8.2. Stop satellite

- Close the water supply (layout drawing).
- Close the air supply (layout drawing).
- Deactivate chemical supply by pulling up the suction hose or removing the userpack. In case of central chemical supply this must be deactivated too.



It is important to shut off the water and air when the unit is left after use .

If the air supply is open when the unit are not in use, air may seep into the water pipe. If this is the case the system may have to be bled again.

It may be necessary to bleed the pipes and the unit again after it has been closed for a longer period of time (holidays, and the like).

### 8.3. Rinsing the chemical supply/injector system



#### CAUTION

**The chemical supply must always be rinsed thoroughly after use**

Remains of detergents or disinfectants can clog the injector so it needs to be rinsed or replaced.

The following procedure will clean the chemistry supply for detergents and/or remains of disinfectants

- Remove User Pack or standard can
- Insert a User Pack or can containing clean water.  
In case of a can make sure the suction hose is submerged in water.
- Open the spray gun/outlet valve and keep it open until the injector has been rinsed through (approx. 30 seconds).



This procedure should be followed both on the detergent and the disinfectant side (if this is installed).

## 9. Maintenance, Trouble shooting, Service

### 9.1. Preventive maintenance

Depending on usage, maintenance should be undertaken by an authorised service engineer at least once a year in order to prevent defects and failure of operation. Authorised engineers are persons who due to their skills and experience have sufficient knowledge of the Hygiene Systems and are confident with the state work safety regulations, accident preventing regulations, lines and generally acknowledged technical regulations such as DIN-norms and VDE-provisions. For your safety, this cleaning unit has been manufactured according to all relevant regulations valid in the EU and therefore it has been supplied with the CE-marking. For further information, please refer to the service department.

### 9.2. Replacing gaskets

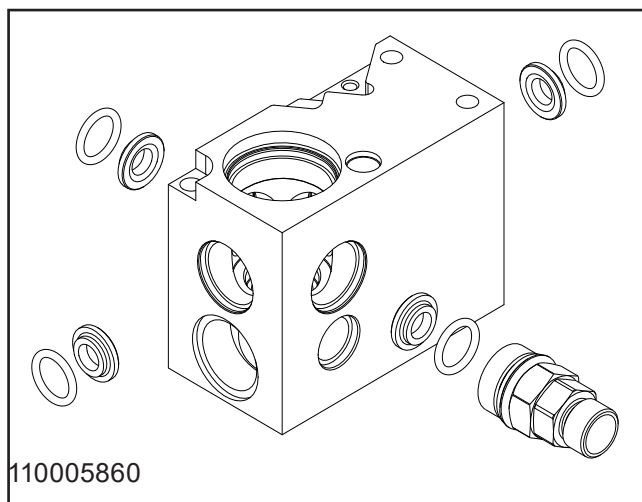
When the gasket and o-ring surrounding the ball valve is dismantled during service or maintenance they needs to be replaced.



All four gaskets need to be replace at the same time to ensure the correct fit of the ball valve.

The gasket and o-ring with the block is show in illustration 111005860 and the sparepart kit 110005832 page

To fix in the gaskets and o-rings during mounting in check valve and the like (see illustration), please add a small amount of waterproof grease to the gasket and o-rings before mounting the check valve in the main block.



### 9.3. Deliming

- The interval of the Deliming procedure depends on the water hardness.
- Make sure the water to the unit is disconnected.
- Remove the Cover from the unit.
- Dismount the injector block. Dismount the air valve and the non-return valve for air, inclusive of the air fittings.
- Put the injector block in a deliming bath – make sure the dosing valve (the knob) is over the surface.
- Wait for 60 minutes.
- Rinse the block in clean water.
- Mount the air valve and the non-return valve on the injector block and mount the injector block in the unit.
- Connect water to the unit.
- Test the unit in Foam position make sure the vacuum is sufficient, it is recommended to be between 14,8 - 20,7 inHg / -0.05 - 0.07 MPa.
- Test that the unit can start and stop in both foam and rinse position
- Reinstall the cover on the unit

The following deliming intervals must be observed to prevent lime building up in the unit, that can discontinue operation of the unit

°dH	ppm	Time between Deliming
0-5	18-90	12 months
5-10	90-180	6 to 12 months
10-15	180-270	3 to 6 months
15-20	270-360	3 to 6 months
>20	>360	1 to 3 months

### 9.4. Coupling

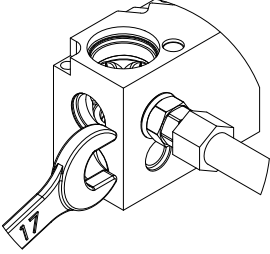
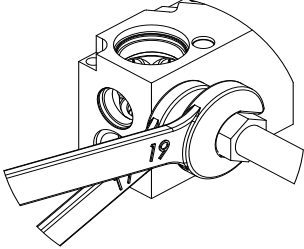
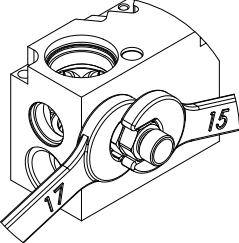
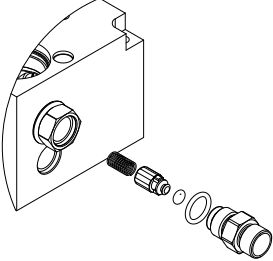
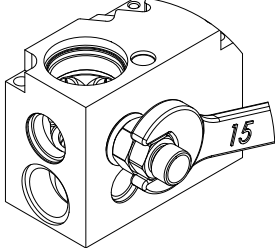
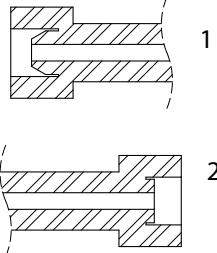
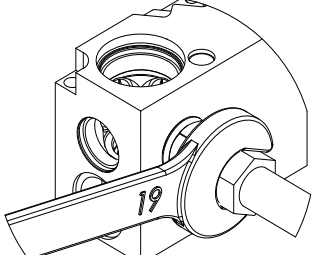
It is recommended to lubricate all coupling parts regularly (approx. once a week) with waterproof grease to prevent leaks and damage of packings. If the unit is equipped with a spray gun the piston of the gun should also be lubricated.

In leaking quick couplings the packings should be replaced.

### 9.5. Internal cleaning of the unit

We recommend opening and cleaning the unit inside min. once a week.

9.6. Replacing hose and service of checkvalve

	<p>When removing the hose it is important to hold contra on the part closest to the block.</p> <p>Use a 17mm key.</p>
	<p>Hold contra on the inner part while using a 19 mm key to loosen the hose.</p> <p>If you are only exchanging the hose, please loosen the opposite end of the hose and go to *.</p>
	<p>Use a 15mm key to loosen the outhter part of the non return valve.</p>
	<p>Check or exchange o-rings, piston etc.</p>
	<p>Tighten the top using a 15mm key.</p>
	<p>*</p> <ol style="list-style-type: none"> <li>1. Identify the hose end with conical seat. Use it for the satellite valve.</li> <li>2. Use the hose end with flat seat for the supply.</li> </ol>
	<p>When you find the right end: Tighten up the hose with a 19-mm wrench.</p>

### 9.7. Trouble Shooting and Remedy

Fault	Cause	Remedy
No pressure / too low pressure	Insufficient or No water supply.	Open water supply valve (See 5.1 - Closing valve).
	Is the filter if any clogged.	Clean the filter.
	Rinsing nozzle not installed.	Place rinsing nozzle.
Insufficient or No foam creating.	No supply of dilute products.	Consult directions for use of dosing unit.
	Product not suitable.	Choose suitable product.
	Insufficient or No air supply.	Provide sufficient air supply.
	Air pressure in mixing chamber too high.	Adjust air pressure setting.
	Defect non-return valve for air.	Replace non-return valve for air.
	Incorrect nozzle.	Place foam nozzle 50/150.
	Non-return valve blocked	Clean or replace non-return valve.
Injektor /mixing chamber blocked	Clean nozzle	
No spray sanitising.	No supply of dilute products.	Consult directions for use of dosing unit.
	Non-return valve blocked.	Clean or replace non-return valve.
	Injektor /mixing chamber blocked	Clean Injektor /mixing chamber.

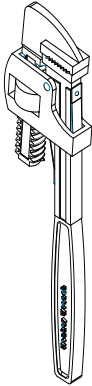

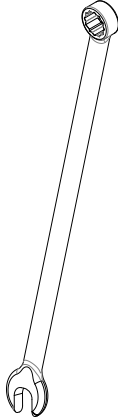
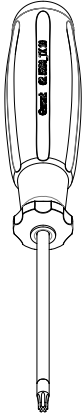



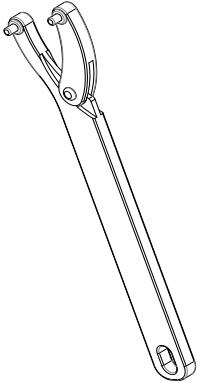

In case of errors/troubles not mentioned above, please contact your local service technician for further assistance.

### 9.8. Service address

Please see the back cover of this manual

## 10. Tools

Standard tools that are useful/necessary for service and maintenance on the full range of equipment.

			
	<p>10, 11, 12, 13, 14, 15, 17, 19 and 24 mm</p>		 <p>T15, T20, T25</p>  <p>10</p>  <p>PH1, PH2</p>
	<p>3mm pin</p>		<p>3, 4, 5, 6, 8, 10 mm</p>

## 11. End of Use

### 11.1. Dismounting

Close all supply valves and remove the unit from wall.

### 11.2. Disposal

In case the unit should be disposed, it must be separated and sorted in eg-recyclable and non recyclable parts.

The steel construction is easily separated and disposed and constitutes no environmental risk - nor for the user.

Disposal must be made according to rules and regulations in force for disposal of machines as well as all standards in connection with environmental protection.



#### CAUTION










Disposal of electronic components and other remedies must be handled as special disposal when disposed. Alternatively, it can be disposed by a specialised disposal company.





<b>1. Inhalt</b>	
<b>2. Verwendete Symbole</b>	26
<b>3. Allgemeine Informationen</b>	27
3.1. Typenschild	28
3.2. Lieferant	28
3.3. Spezifikationen	29
<b>4. Überblick und Verwendung</b>	30
<b>5. Systemsicherheit</b>	30
5.1. Verschlussventil für die Wasserversorgung	30
5.2. Verschlussventil für die Luftzufuhr	30
5.3. Voraussichtliche Ausfälle	30
5.4. Restrisiko	31
<b>6. Installation</b>	31
6.1. Lärm	31
6.2. Montageanleitung	31
6.3. Transport	31
6.4. Vibrationen	31
6.5. Wasseranschluss	32
6.6. Luftanschluss	32
6.7. Versorgung mit Reinigungsmittel	32
6.7.1. Satellit <u>ohne</u> Benutzerpaketsystem	32
6.7.2. Satellit <u>mit</u> Benutzerpaketsystem	33
6.7.3. Satellit mit vorgemischtem Reinigungsmittel in Leitungen	33
6.8. Installation von Schläuchen für vorgemischtes Reinigungsmittel	33
6.9. Schlauchanschluss	33
6.10. Montage des Schlauches für vorverdünnte Chemikalien	33
<b>7. Erstinbetriebnahme</b>	34
7.1. Einstellung des Reinigungsmittels	34
7.1.1. Reduzierdüse (SU21PD22/SU11PD22)	34
7.2. Einstellung der Luft	34
<b>8. Betrieb</b>	35
8.1. Satellit starten	35
8.2. Satellit anhalten	35
8.3. Spülung der chemischen Versorgung/des Injektorsystems	35
<b>9. Wartung, Fehlersuche und Kundendienst</b>	36
9.1. Vorbeugende Wartung	36
9.2. Austausch von Dichtungen	36
9.3. Entkalken	36
9.4. Kupplung	36
9.5. Innenreinigung der Anlage	36
9.6. Schlauch austauschen und Rückschlagventil warten	37
9.7. Fehlersuche und -behebung	38
9.8. Serviceadresse	38
<b>10. Werkzeuge</b>	39
<b>11. Nach der Verwendung</b>	40
11.1. Demontage	40
11.2. Entsorgung	40
<b>12. Ersatzteile</b>	73

## 2. Verwendete Symbole

	<p>Vor Gebrauch lesen</p>
	<p>Bitte tragen Sie bei der Bedienung der Anlage eine Brille.</p>
	<p>Bitte tragen Sie bei Benutzung der Anlage Handschuhe und passende Kleidung.</p>
	<p>Gehörschutz benutzen</p>
	<p>Vermeiden Sie Spritzer auf Tiere, Personen oder elektrische Anlagen.</p>
	<p><b>Anmerkung:</b> Eine potenziell gefährliche Situation. Mögliche Konsequenzen: Das Produkt oder ein Gegenstand in seiner Nähe könnte beschädigt sein. Prävention.</p>
	<p><b>Vorsicht:</b> Eine gefährliche Situation. Mögliche Konsequenzen: Leichte oder geringfügige Verletzungen. Kann auch genutzt werden, um vor Sachbeschädigung oder vor Beschädigung anderer Güter zu warnen.</p>
	<p><b>Warnung:</b> Eine potenziell gefährliche Situation. Mögliche Konsequenzen: Tod oder schwere Verletzungen. Prävention.</p>
	<p><b>Gefahr:</b> Eine gefährliche Situation. Mögliche Konsequenzen: Tod oder schwere Verletzungen. Prävention.</p>

### 3. Allgemeine Informationen

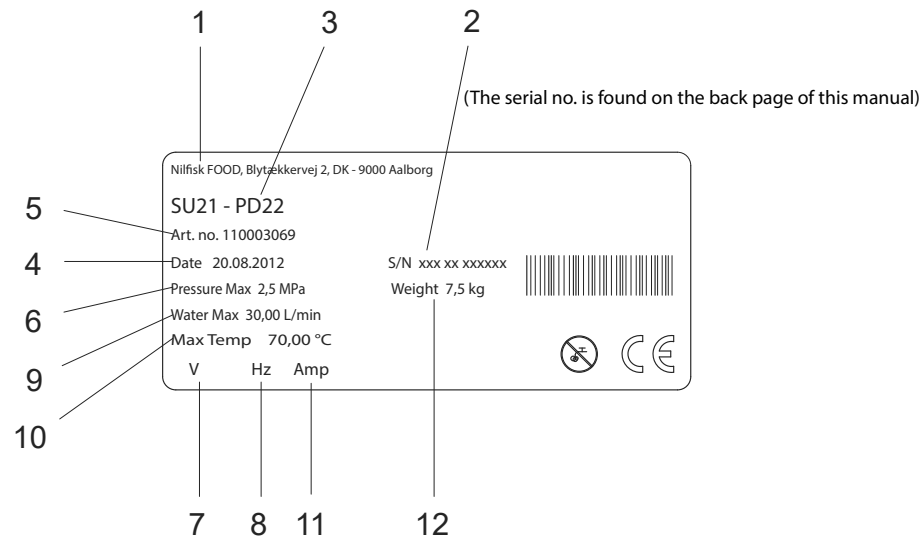
Nilfisk FOOD beglückwünscht Sie zu Ihrer Niederdruckschaum- und Desinfektionsreinigungsanlage.

Die Anlage ist auf dem neuesten Stand der Technik im Bereich der Niederdruck-Reinigungsanlagen in Ihrem Betrieb.

Die Anlage kann zum Spülen, Schäumen und zur Anwendung von Desinfektionsmitteln eingesetzt werden.

Es ist äußerst wichtig, dass Ihr Bedienpersonal diese Anweisungen vor der Installation, Inbetriebnahme und der Nutzung der Anlage durchliest.

### 3.1. Typenschild



1. Hersteller
2. Seriennr.
3. Modell
4. Herstellungsdatum
5. Artikelnr.
6. Maximaler Druck
7. Versorgungsspannung
8. Frequenz
9. Maximaler Wasserverbrauch
10. Maximaltemperatur
11. Strom
12. Gewicht

### 3.2. Lieferant

Nilfisk FOOD  
 Blytækkervej 2  
 DK-9000 Aalborg, Dänemark  
 Tel.: +45 7218 2000  
 CVR-Nr. 6257 2213  
 www.nilfiskfood.com

## 3.3. Spezifikationen

<b>Wasser</b>	
Anschlusstyp Einlass	ISO7/1-R1/2
Anschlusstyp Auslass	1/2" Schnellkupplung
Wasserverbrauch – Schaummodus*	8,7 l/min bei 20 bar
Wasserverbrauch – Sprühmodus*	8,7 l/min bei 20 bar
Wasserverbrauch – Spülmodus	24,8 l/min bei 20 bar
Min. Eingangsdruck	12 bar
Max. Eingangsdruck	25 bar
Max. Wassertemperatur	70°
<b>Vorgemischtes Reinigungsmittel</b>	
Anschlusstyp Einlass	ISO 228-G 1/2 " Buchse
Min. Eingangsdruck vorgemischte Produkte	6 bar
Max. Eingangsdruck vorgemischte Produkte	10 bar
Vorgemischte Produkte Verbrauch	7.1 l/min bei 8 bar
<b>Druckluftzufuhr</b>	
Anschlusstyp Einlass	Ø6 Steckverschraubung
Mindestdruck der Luftzufuhr	6 bar
Maximaldruck der Luftzufuhr	10 bar
Erforderliche Durchflussrate	200 NI/min
<b>Düsen (empfohlen)</b>	
Spüldüse	25/30
Schaumdüse	50/150
Sprühdüse	40/30
<b>Allgemein</b>	
Anzahl der Produkte	2-4
Anzahl der vorgemischten Produkte	2-3
Max. Schlauchlänge (empfohlen)	30 m (25 m)
Schallpegel ISO 11202	Unter 70 dB
Gewicht	7,5 kg
Abmessungen H x B x T	530 mm x 400 mm x 140 mm
* Local pick up	

## 4. Überblick und Verwendung

Die Hybrid-Anlage ist eine komplette Reinigungsstation, die an eine Drucksteigerungsstation oder eine Hauptstation angeschlossen werden kann. Die Anlage benötigt eine ausreichende Wasserzufuhr, Druckluft und ein Reinigungs- oder Desinfektionsmittel.

### Verbrauch:

Die Anlage ist für die Verwendung von Reinigungs- und Desinfektionsmitteln zugelassen.



**Warnung:** Bitte ändern Sie nicht die Einstellungen, die vom Lieferanten des Reinigungsmittels vorgenommen oder empfohlen wurden!

Die Reinigungsmittel werden über ein Benutzerpaketsystem oder separate Standardbehälter geliefert. Die Versorgung ist auch über ein Rohrleitungssystem möglich.

Bitte lesen Sie diese Anleitung vor Installation und Einrichtung immer sorgfältig durch. Stellen Sie sicher, dass die persönlichen Sicherheitsverfahren für Chemikalien in Bezug auf Nachfüllverfahren (Produktwechsel), Wartung und Reparatur befolgt werden. Achten Sie auch auf das Produktkennzeichen und das MSDS-Blatt.

### Sicherheitshinweise

Nur professionelles Service-Personal darf Service- und Reparaturarbeiten an der Anlage vornehmen.

Nur eingewiesenes Personal darf die Anlage bedienen.

## 5. Systemsicherheit

Im Falle von Fehlern/Mängeln beim Betrieb der Anlage:

1. Schließen Sie die Wasserversorgung
2. Schließen Sie die Luftzufuhr
3. Schließen Sie Zufuhr an vorgemischtem Reinigungsmittel

### 5.1. Verschlussventil für die Wasserversorgung

Mit diesem Ventil kann die Anlage von der Wasserversorgung getrennt werden. Des Weiteren wird ein Rückschlagventil in den Block eingebaut, um den Rückfluss des Wassers zu verhindern.

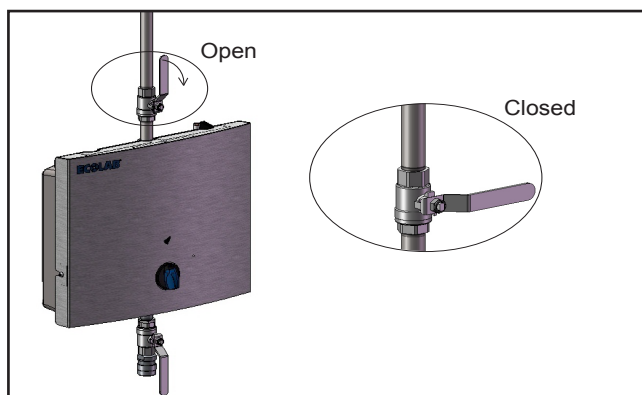


Abb. 1

110003524

### 5.2. Verschlussventil für die Luftzufuhr

Mit diesem Ventil kann die Anlage von der Luftzufuhr getrennt werden. Zwei Rückschlagventile werden in die Anlage eingebaut, um das Rückströmen von Luft zu verhindern.

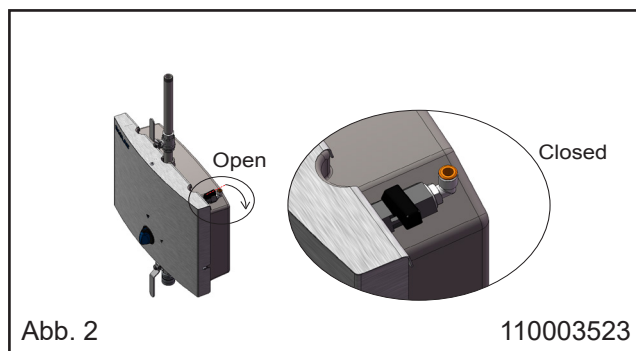


Abb. 2

110003523

	Die Druckluftregelung/der Luftdruckprüfer funktioniert nur, wenn das Versorgungsventil geöffnet ist.
	Bitte tragen Sie bei der Bedienung der Anlage eine Brille.
	Bitte tragen Sie bei Benutzung der Anlage Handschuhe und passende Kleidung.
	Gehörschutz benutzen
	Vermeiden Sie Spritzer auf Tiere, Personen oder elektrische Anlagen.

### 5.3. Voraussichtliche Ausfälle

Geplatzter Luftschlauch in der Anlage:

- Die Anlage darf ohne die vormontierte Frontabdeckung nicht verwendet werden.
- Das Luftabsperrentil am / in Zusammenhang mit dem Gerät muss bei Nichtgebrauch geschlossen werden.
- Luftschlauch und Armaturen sollten regelmäßig überprüft und bei sichtbarer Beschädigung ausgetauscht werden.

Ausfall von Rückschlagventilen für Luft und Wasser:

- Die Anlage darf ohne die vormontierte Frontabdeckung nicht verwendet werden.
- Das Luft- und das Wasserabsperrentil an der Anlage müssen bei Nichtgebrauch geschlossen sein.
- Nach Gebrauch der Anlage müssen alle Chemie-Rückschlagventile mit sauberem Wasser abgespült werden. Folgen Sie den Anweisungen in Abschnitt 8.3.
- Rückschlagventile für Luft und Wasser sollten mindestens einmal im Jahr von fachkundigem Personal auf Mängel überprüft werden.

Reparatur der Anlage:

- Versuchen Sie nicht, eine defekte Anlage selbst zu reparieren. Kontaktieren Sie immer eine autorisierte Kundendienststelle.
- Blockieren und markieren Sie jede defekte Anlage, um eine unbeabsichtigte Benutzung zu vermeiden – siehe Abschnitt unten über „Restrisiko – Benutzung der Anlage“.
- Benutzen Sie aus Sicherheitsgründen nur zugelassene und originale Ersatzteile.
- Gleichen Sie den Druck im System vor dessen Wartung aus.
- Bei der Verwendung von Warmwasser werden Rohre, Komponenten usw. heiß. Stellen Sie sicher, dass die Teile vor der Wartung abgekühlt sind.

#### 5.4. Restrisiko

Benutzung der Anlage:

- Benutzen Sie die Anlage nie ohne vorherige Einweisung über den Gebrauch und die Sicherheitshinweise. Die Anweisungen müssen von einem geschulten/eingewiesenen Personal erstellt werden.
- Benutzen Sie die Anlage nie, ohne die beigefügte Gebrauchsanweisung und die Sicherheitshinweise gelesen zu haben.
- Schließen Sie die Wasser- und Luftzufuhr immer nach Benutzung.
- Der Kontakt mit Aerosolen, biologischen und mikrobiologischen Stoffen kann je nach Arbeitsverfahren und Arbeitsbereich ein Risiko darstellen. Die aus diesem Kontakt resultierenden Auswirkungen sollten in jedem Fall überprüft werden.

Beschädigte Anlage:

- Benutzen Sie die Anlage nie, wenn undichte Stellen entdeckt werden (Luft, Wasser oder Chemikalien).
- Benutzen Sie die Anlage nie, wenn Sie die Verschlussventile nicht bedienen können und/oder wenn es nicht möglich ist, den gewünschten Vorgang auszuwählen.
- Benutzen Sie die Anlage nie, wenn sie von ihrem ursprünglichen Montageort entfernt wurde.

## 6. Installation

Aus Sicherheitsgründen ist es wichtig, alle beigefügten Informationen vor der Installation dieser Anlage zu lesen. Zusätzlich sollten die geltenden Rechtsvorschriften zum Zeitpunkt des Kaufs immer in Zusammenhang mit der Installation und Montage der Anlage berücksichtigt werden, unabhängig von den Inhalten dieser Bedienungsanleitung. Bei Streitfragen sollten Sie Ihren Händler kontaktieren.

### 6.1. Lärm

Schallpegel entsprechend ISO 11202; unter 70 dB

### 6.2. Montageanleitung



- Die Anlage darf nur in frostfreien Räumen montiert werden.
- Die Anlage kann an einer Wand oder an einem gesonderten Rahmen montiert werden und sollte dabei in Produktionsbereichen installiert und am Boden befestigt werden.
- Entfernen Sie die Abdeckung, bevor Sie die Anlage an der Wand befestigen.



- Für die Wandmontage beachten Sie Folgendes:
- Bei der für die Montage verwendeten Wand sollte es sich um eine tragfähige Ziegelsteinmauer oder Betonmauer handeln.
- Die gelieferten Halterungen sollten mit den beigefügten Schrauben und entsprechenden Dübeln an der Wand befestigt werden.
- Die Wandhalterung sollte entsprechend der obigen Beschreibung montiert und die Anlage in die Halterung eingehängt werden. Der Schlauch und die Benutzerpaket-Halterungen sollten nachträglich montiert werden (siehe Installation/Montage).

### 6.3. Transport

Für einen sicheren Transport der Anlage sollten Sie sicherstellen, dass diese weder rutschen noch kippen kann. Die Anlage muss gegebenenfalls mit Gurten gesichert werden.

Transport der Anlage nur in horizontaler Position: Die Anlage darf nicht auf der Vorderseite platziert werden, an der sich das Bedienfeld befindet. Sie kann auch nicht auf der Ober- oder Unterseite platziert werden, da dort Anschlüsse und Steckdosen montiert werden. Wenn die Anlage bei einer Temperatur von circa 0 °C (32 °F) oder darunter bewegt wird, sollten Sie immer sicherstellen, dass die Anlage vollständig geleert ist. Wenn dies nicht der Fall ist, können Sie die Anlage beschädigen.

### 6.4. Vibrationen

Hand-Arm-Vibrationen gemäß ISO 5349-1.

### 6.5. Wasseranschluss

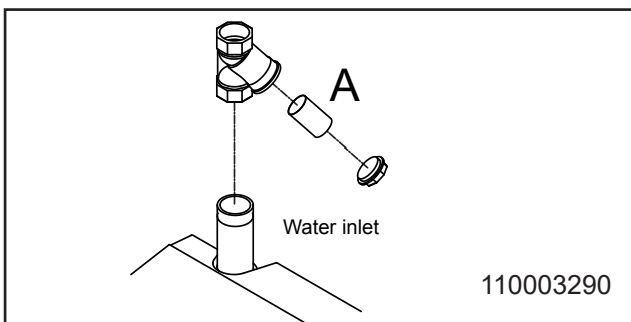


- Bevor die Anlage mit der Wasserzulaufleitung verbunden wird, sollte die Versorgungsleitung vorsichtig abgespült werden, um grobe Verunreinigungen und Metallspäne zu entfernen.
- Der Wasseranschluss muss an der Oberseite der Anlage erfolgen (siehe Anordnungsplan).
- Der empfohlene Rohrdurchmesser beträgt 3/4" (mindestens 1/2"-Rohre). Der Anschluss an der Anlage hat ein 1/2"-Außengewinde.
- Die Anlage muss mit einem Verschlussventil am Einlauf ausgestattet sein (siehe Anordnungsplan).
- Der Druckverlust in der Versorgungsleitung sollte so niedrig wie möglich gehalten werden durch
  - das Vermeiden von langen Versorgungsleitungen
  - den Einbau von Kugelventilen mit geringem Widerstand und
  - das Vermeiden von Armaturen mit hohem Druckverlust.
- Wenn Sie die Rohrleitungen installieren, achten Sie darauf, dass keine Lufteinschlüsse entstehen.
- Alle Rohranschlüsse zur Anlage müssen geschraubte Verbindungen sein, um die einfache Wartung und den Abbau der Station zu ermöglichen.

Max. zulässige Temp. der Wasserversorgung: 70 °C  
 Max. zulässiger Druck der Wasserversorgung: 25 bar  
 Wasserverbrauch im Spülmodus: 30 l/min



Für ein optimales Funktionieren des Injektorsystems empfehlen wir die Installation eines Filters am Einlauf, um Verunreinigungen zu verhindern. Siehe Zeichnung Nr. 110003290



### 6.6. Luftanschluss



Bevor die Anlage an den Luftanschluss angeschlossen wird, sollte das Rohrsystem sorgfältig abgespült werden, um grobe Verunreinigungen zu entfernen.

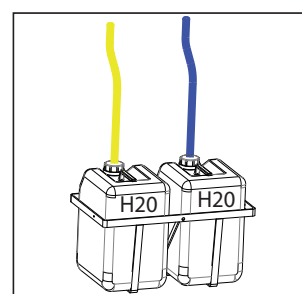
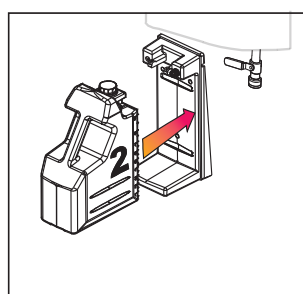
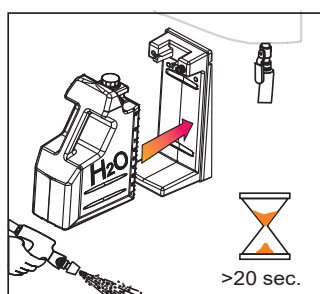
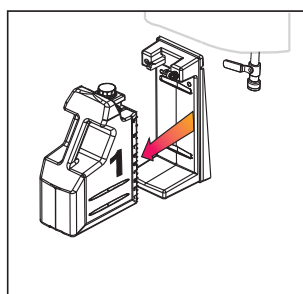
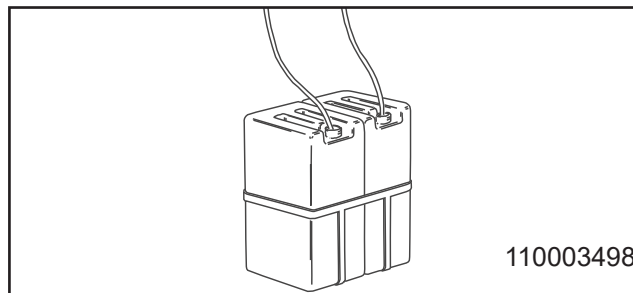
- Die Anlage erfordert eine Luftzufuhr-Verstärkung
  - ein Eingangsdruck von mindestens 6 bar
  - eine Mindestkapazität von 200 l/min.
- Die Luftversorgungsleitung ist direkt mit einer Schnellarmatur für eine leichte Demontage verbunden. In allen Anlagen wird ein Einlassventil mit 1/4"-Gewinde eingebaut (Anordnungspläne).

### 6.7. Versorgung mit Reinigungsmittel

#### 6.7.1. Satellit ohne Benutzerpaketsystem.

Siehe Zeichnung Nr. 110003498.

- Platzieren Sie den Behälter mit dem Reinigungsmittel in der Behälterhalterung.
- Kontrollieren Sie den Saugfilter auf Verunreinigungen.
- Stecken Sie den Saugschlauch in den Behälter unter den Füllstand und vermeiden Sie das Ansaugen von Luft.
- Stellen Sie nochmals nach dem Vorspülen sicher, dass der Schlauch ausreichend unter dem Füllstand ist und verhindern Sie das Ansaugen von Luft während dem Aufschäumen oder dem Spritzbetrieb.



110003485



- Entfernen Sie nach dem Gebrauch und dem Austausch von Produkten sowie nach dem Gebrauch der Anlage den Schlauch vom Behälter und spülen Sie die Produktzuleitung und den Injektor mit sauberem Wasser ab.

### 6.7.2. Satellit mit Benutzerpaketsystem

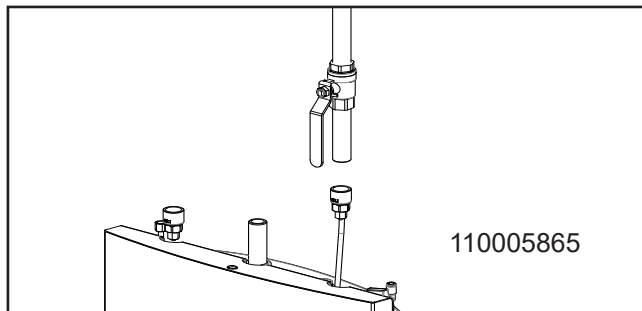
Siehe Zeichnung Nr. 110003485.

- Platzieren Sie das speziell entwickelte Benutzerpaket in der automatischen Halterung.
- Spülen Sie beim Wechsel auf ein anderes Produkt bei Beendigung des Reinigungsverfahrens die Produktzuleitung mit sauberem Wasser wie folgt ab:
- Ersetzen Sie das im Benutzerpaket enthaltene Produkt durch ein Produkt mit sauberem Wasser; platzieren Sie die Schaumdüse und öffnen Sie die Sprühpistole/das Auslassventil. Die Produktzuleitung wird jetzt mit sauberem Wasser abgespült vor dem Gebrauch eines anderen Produktes.

### 6.7.3. Satellit mit vorgemischtem Reinigungsmittel in Leitungen

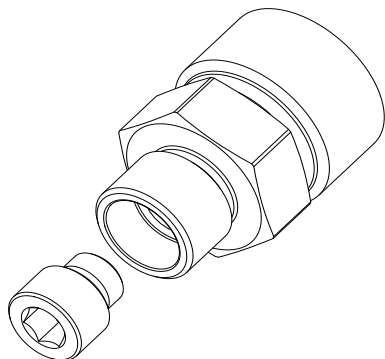


Für eine sichere Installation und Wartung - Montieren Sie ein Kugelventil an der Rohrleitung für das vorgemischte Reinigungsmittel in der Nähe des Satelliten.



### 6.8. Installation von Schläuchen für vorgemischtes Reinigungsmittel

Bitte installieren Sie die Dichtung/den Durchflussbegrenzer im beiliegenden Sechskantnippel, verwenden



110007856A

Sie einen 4-mm-Sechskantschlüssel. Installieren Sie den Sechskantnippel in der Versorgungsleitung, verwenden Sie geeignetes Dichtmittel. Der Anschluss am Einlass der Anlage für vorgemischtes Reinigungsmittel hat ein 1/2"-Außengewinde.

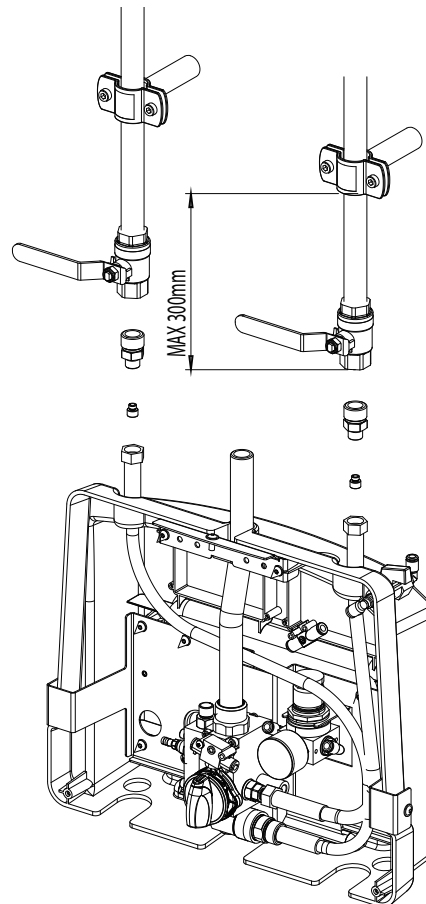
Befestigen Sie den Schlauch mit einem Schraubenschlüssel am Sechskantnippel, um die Überwurfmutter zu sichern. Vergewissern Sie sich, dass der Schlauch gesichert ist, bevor Sie die Zufuhr für das vorverdünnte Reinigungsmittel öffnen.

### 6.9. Schlauchanschluss

- Der Spezialschlauch, ausgestattet mit einer Sprühpistole/einem Auslassventil, ist mit der Ausgangsschnellkupplung der Anlage verbunden (Anordnungsplan).
- Maximale Schlauchlänge: 30 m.
- Es wird empfohlen, nur Nilfisk-Food-Schläuche zu verwenden, die auf Widerstandsfähigkeit getestet wurden.

### 6.10. Montage des Schlauches für vorverdünnte Chemikalien

1. Verbinden Sie die Einlassdüse mit dem Einlassrohr.
- Verbinden Sie die Einlassdüse mit dem Einlassschlauch.



110006227B

## 7. Erstinbetriebnahme

### 7.1. Einstellung des Reinigungsmittels

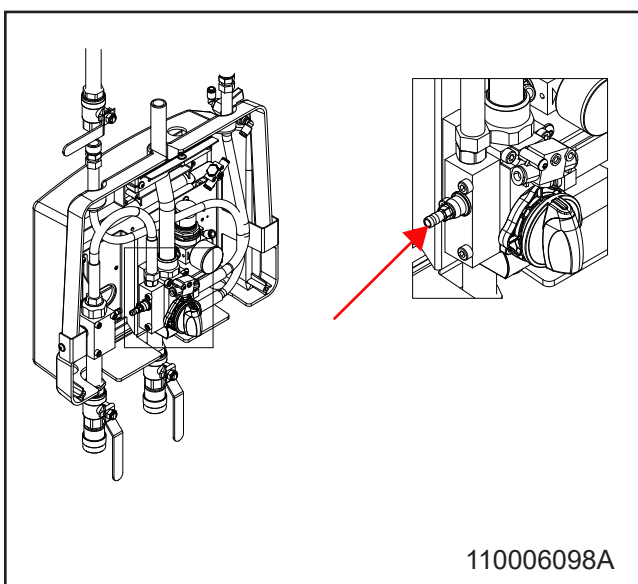
Die Einstellung des Reinigungsmittels kann mit Hilfe einer Reduzierdüse erfolgen.

#### 7.1.1. Reduzierdüse (SU21PD22/SU11PD22)

Nehmen Sie die Abdeckung der Anlage ab.

Die Reduzierdüse wird im Saugnippel des Rückschlagventils (110006098) platziert und kann mit einer kleineren oder größeren Düse ersetzt werden, je nach benötigter Konzentration. Bitte beachten Sie auch die Tabelle bezüglich Richtwerte.

Setzen Sie die Abdeckung wieder auf, wenn die Einstellungen vorgenommen wurden.



Alle Tests wurden mit Wasser durchgeführt.

Düsengröße in mm	Konzentration bei 20 bar in %
0,4	0,75
0,5	1,15
0,6	1,65
0,7	2,20
0,8	2,90
0,9	3,60
1,0	4,40
1,1	5,3
1,5	9,4



Düsengröße in mm	Konzentration von 20 Bar/290 PSI
Klar	0,36 %
Rosa	0,51 %
Hellblau	0,64 %
Violett	0,70 %
Türkis	1,43 %
Gelb	1,95 %
Braun	2,01 %
Orange	2,18 %
Grün	2,62 %
Braun	3,94 %
Blau	4,88 %
Weiß	6,02 %
Rot	6,87 %
Beige	7,36 %
Schwarz	7,86 %
grau	7,96 %

### 7.2. Einstellung der Luft

Nehmen Sie die Abdeckung von der Anlage ab.

Stellen Sie den Luftdruck am Druckminderungsventil ein, bis eine angemessene Schaumqualität erreicht ist.



Beim Einstellen des Reglers ziehen Sie den Drehgriff vorsichtig nach oben und drehen ihn für Druckzunahme im Uhrzeigersinn und für Druckabnahme gegen den Uhrzeigersinn.

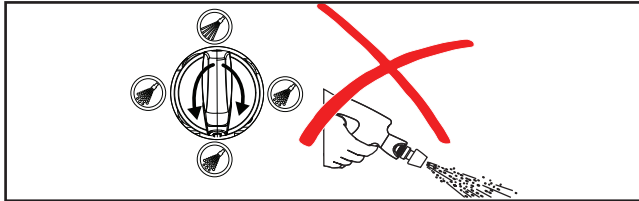


110003805

## 8. Betrieb

### 8.1. Satellit starten

- Stellen Sie sicher, dass der Wasser- und Luftanschluss zum Gerät geöffnet ist, siehe Anordnungsplan. Im Falle einer zentralen Chemieversorgung sollten Sie diese auch aktivieren.
- Gewünschte Funktion auswählen. Benutzen Sie die Anlage entsprechend der „Bedienungsanleitung“.
- Die Spritzpistole muss bei der Auswahl einer Funktion in der Steuerung immer deaktiviert sein.



### 8.2. Satellit anhalten

- Schließen Sie die Wasserversorgung (siehe Anordnungsplan).
- Schließen Sie die Luftversorgung (siehe Anordnungsplan).
- Deaktivieren Sie die Chemieversorgung, indem Sie den Saugschlauch hochziehen oder das Benutzerpaket entfernen. Im Falle einer zentralen Chemieversorgung sollten Sie dies auch aktivieren.



Es ist wichtig, dass Sie die Wasser- und Luftzufuhr nach dem Gebrauch des Geräts wieder unterbrechen.

Wenn die Luftzufuhr bei Nichtbenutzung der Anlage geöffnet ist, kann Luft in die Wasserleitung gelangen. Wenn dies der Fall ist, muss das System neu entlüftet werden.

Es kann erforderlich sein, die Schläuche und die Anlage nach längerem Produktionsstillstand (Ferien oder dergleichen) neu zu entlüften.

### 8.3. Spülung der chemischen Versorgung/des Injektorsystems



**VORSICHT**  
Die Chemieversorgung muss nach dem Gebrauch immer gründlich gespült werden.

Rückstände von Reinigungsmitteln oder Desinfektionsmitteln können den Injektor verstopfen, sodass er gespült oder ersetzt werden muss.

Folgendes Verfahren reinigt die Chemieversorgung von Reinigungsmitteln und/oder Rückständen von Desinfektionsmitteln.

- Entfernen Sie das Benutzerpaket oder den Standard-Behälter.
- Führen Sie ein Benutzerpaket oder einen Behälter mit sauberem Wasser ein. Im Falle eines Behälters sorgen Sie dafür, dass der Saugschlauch in Wasser eingetaucht ist.
- Öffnen Sie Sprühpistole/Auslassventil und halten Sie diese/dieses offen, bis der Injektor gespült wurde (circa 30 Sekunden lang).



Dieses Verfahren sollte sowohl auf der Reinigungsmittel- als auch auf der Desinfektionsmittelseite (falls installiert) durchgeführt werden.

## 9. Wartung, Fehlersuche und Kundendienst

### 9.1. Vorbeugende Wartung

Je nach Anwendung sollte die Wartung von einem autorisierten Servicetechniker mindestens einmal im Jahr vorgenommen werden, um Schäden und Betriebsausfälle zu vermeiden. Autorisierte Techniker sind Personen, die aufgrund Ihrer Fähigkeiten und Erfahrungen hinreichende Kenntnisse über Hygienesysteme besitzen und mit den staatlichen Arbeits- und Unfallverhütungsvorschriften, Richtlinien und allgemein anerkannten technischen Vorschriften, wie der DIN-Norm und den VDE-Bestimmungen, vertraut sind. Aus Sicherheitsgründen wurde diese Reinigungsanlage gemäß aller relevanten, in der EU gültigen Vorschriften gefertigt und somit mit der CE-Kennzeichnung geliefert. Für weitere Informationen wenden Sie sich bitte an den Kundendienst.

### 9.2. Austausch von Dichtungen

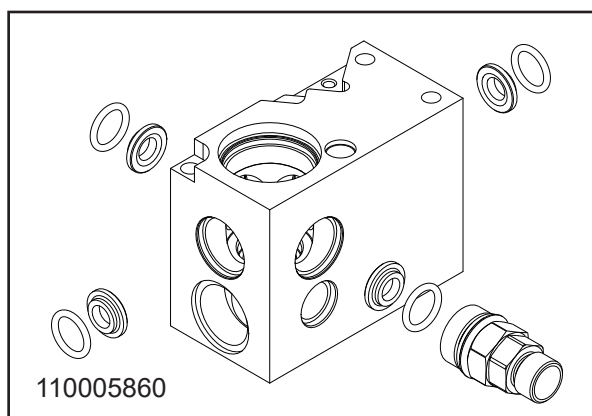
Wenn die Dichtung und der O-Ring um das Kugelventil während Service oder Wartung demontiert werden, müssen sie ersetzt werden.



Alle vier Dichtungen müssen gleichzeitig ersetzt werden, um sicherzustellen, dass das Kugelventil ordnungsgemäß sitzt.

Die Dichtung und der O-Ring im Block sind in Abb. 111005860 und das Ersatzteil-Kit ist in Abb. 110005832 abgebildet.

Zur Fixierung von Dichtungen und O-Ringen während der Montage des Rückschlagventils u. Ä. (siehe Abbildung) tragen Sie auf Dichtungen und O-Ringen eine geringe Menge wasserdichtem Schmiermittel auf, bevor Sie das Rückschlagventil am Hauptblock montieren.



### 9.3. Entkalken

- Die Abstände für den Entkalkungsvorgang hängen von der Wasserhärte ab.
- Stellen Sie sicher, dass die Wasserversorgung vom Gerät getrennt wurde.
- Nehmen Sie die Abdeckung von der Anlage ab.
- Montieren Sie den Injektorblock ab. Montieren Sie das Luftventil und das Rückschlagventil für Luft einschließlich der Luftanschlüsse ab.
- Legen Sie den Injektorblock in ein Entkalkungsbad – stellen Sie sicher, dass sich das Dosierventil (der Drehknopf) über der Oberfläche befindet.
- Warten Sie 60 Minuten lang.
- Spülen Sie den Block mit sauberem Wasser ab.
- Montieren Sie das Luftventil und das Rückschlagventil an den Injektorblock und montieren Sie diesen an die Anlage.
- Schließen Sie die Wasserversorgung an die Anlage an.
- Testen Sie die Anlage in der Schaumposition und versichern Sie sich, dass das Vakuum ausreicht, empfohlen zwischen 14,8 – 20,7 inHg / -0,05 – 0,07 MPa.
- Prüfen Sie, dass die Anlage jeweils in der Schaum- wie auch in der Spülposition starten und stoppen kann.
- Installieren Sie die Abdeckung der Anlage wieder.

Die folgenden Entkalkungsabstände müssen eingehalten werden, um die Entstehung von Kalk in der Anlage zu verhindern, was zu Betriebsausfällen führen kann.

°dH	ppm	Zeit zwischen dem Entkalken
0-5	18-90	12 Monate
5-10	90-180	6 bis 12 Monate
10-15	180-270	3 bis 6 Monate
15-20	270-360	3 bis 6 Monate
>20	>360	1 bis 3 Monate

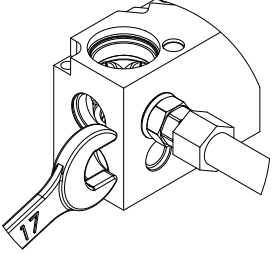
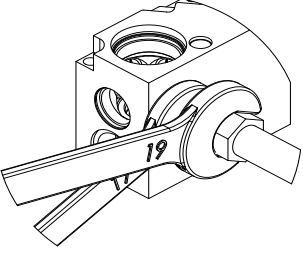
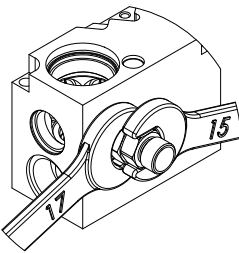
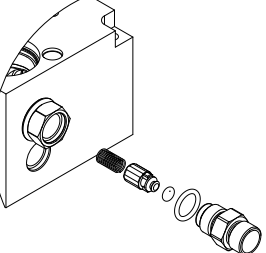
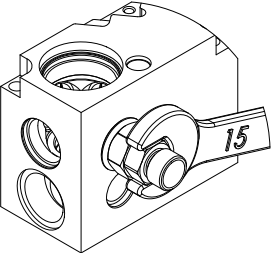
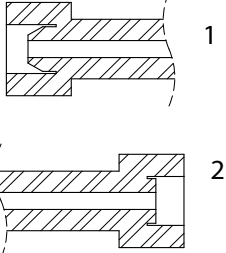
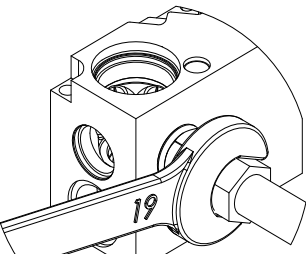
### 9.4. Kupplung

Es wird empfohlen, alle Kupplungsteile regelmäßig (ca. einmal in der Woche) mit wasserdichtem Schmierfett einzuölen, um Lecks und die Beschädigung der Dichtungen zu vermeiden. Wenn die Anlage mit einer Sprühpistole ausgestattet ist, sollte der Kolben der Pistole ebenso eingeölt werden. Wenn die Schnellkupplung leckt, sollten die Dichtungen ersetzt werden.

### 9.5. Innenreinigung der Anlage

Wir empfehlen, die Anlage mindestens einmal in der Woche zu öffnen und im Inneren zu reinigen.

9.6. Schlauch austauschen und Rückschlagventil warten

	<p>Beim Entfernen des Schlauchs ist es wichtig, an dem Teil gegenzuhalten, das dem Block am nächsten liegt.</p> <p>Hier wird ein 17-mm-Schlüssel verwendet.</p>
	<p>Während am inneren Teil gegengehalten wird, wird der Schlauch mit einem 19-mm-Schlüssel gelöst.</p> <p>Wenn nur der Schlauch ausgetauscht werden muss, lösen Sie das andere Ende des Schlauchs und gehen Sie zu *.</p>
	<p>Lösen Sie den äußeren Teil des Rückschlagventils mit einem 15-mm-Schlüssel.</p>
	<p>Überprüfen oder ersetzen Sie O-Ringe, Federn usw.</p>
	<p>Ziehen Sie die Oberseite mit einem 15-mm-Schlüssel fest.</p>
	<p>*</p> <p>1. Stellen Sie fest, welches Ende des Schlauchs einen konischen Sitz hat. Dieses muss am Ventil im Satelliten verwendet werden.</p> <p>2, Das Ende mit dem flachen Sitz wird für die Versorgung verwendet.</p>
	<p>Wenn das richtige Ende gefunden ist. Ziehen Sie den Schlauch mit einem 19-mm-Schlüssel fest.</p>

**9.7. Fehlersuche und -behebung**

<b>Fehler</b>	<b>Ursache</b>	<b>Lösung</b>
Kein Druck / Druck zu niedrig	Unzureichende oder fehlende Wasserzufuhr.	Öffnen Sie das Wasserzufuhrventil (siehe 5.1 – Verschlussventil).
	Ist der Filter, wenn vorhanden, verstopft?	Reinigen Sie den Filter.
	Spüldüse nicht installiert.	Bauen Sie die Spüldüse ein.
Keine oder unzureichende Ausbringung von Schaum.	Keine Versorgung mit verdünnten Produkten.	Befolgen Sie die Gebrauchsanweisung für die Dosiereinheit.
	Produkt nicht geeignet.	Wählen Sie geeignetes Produkt.
	Unzureichende oder fehlende Luftzufuhr.	Ausreichende Luftzufuhr sicherstellen.
	Luftdruck in Mischkammer zu hoch.	Luftdruckeinstellungen anpassen.
	Defektes Rückschlagventil für Luft.	Defektes Rückschlagventil für Luft ersetzen.
	Falsche Düse.	Einbau einer Schaumdüse 50/150.
	Rückschlagventil blockiert.	Reinigen oder ersetzen Sie das Rückschlagventil.
Keine Sprühsanitisierung.	Keine Versorgung mit verdünnten Produkten.	Befolgen Sie die Gebrauchsanweisung für die Dosiereinheit.
	Rückschlagventil blockiert.	Reinigen oder ersetzen Sie das Rückschlagventil.
	Injektor/Mischkammer blockiert.	Injektor/Mischkammer reinigen.

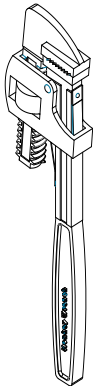

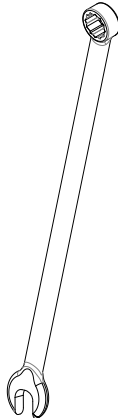




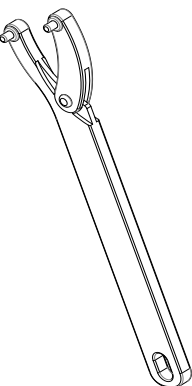
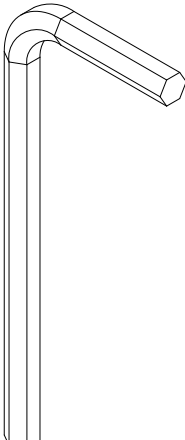
Bei Fehlern/Problemen, die oben nicht erwähnt wurden, kontaktieren Sie bitte Ihren örtlichen Techniker zur weiteren Unterstützung.

**9.8. Serviceadresse**

Bitte beachten Sie die Rückseite dieser Gebrauchsanleitung

## 10. Werkzeuge

Standardwerkzeuge, die nützlich/notwendig für Service und Wartung der gesamten Ausrüstungspalette sind.

			
	<p>10, 11, 12, 13, 14, 15, 17, 19 und 24 mm</p>		 <p>T15, T20, T25</p>  <p>10</p>  <p>PH1, PH2</p>
	<p>3mm pin</p>		<p>3, 4, 5, 6, 8, 10 mm</p>

## 11. Nach der Verwendung

### 11.1. Demontage

Schließen Sie alle Versorgungsventile und entfernen Sie die Anlage von der Wand.

### 11.2. Entsorgung

Wenn die Anlage entsorgt wird, sollte sie demontiert und in recycelbare und nicht recycelbare Teile getrennt werden.

Die Stahlkonstruktion wird einfach demontiert und entsorgt und stellt kein Umweltrisiko dar – auch für den Benutzer nicht.

Die Entsorgung muss sich nach den gültigen Regelungen und Bestimmungen zur Entsorgung von Maschinen richten und alle Umweltschutzstandards erfüllen.



#### VORSICHT

Die Entsorgung von elektronischen Elementen und anderen Mitteln sollte als Sonderentsorgung gehandhabt werden. Alternativ können sie von einem spezialisierten Entsorgungsunternehmen entsorgt werden.



## 1. Table des matières

<b>2. Symboles utilisés dans ce document</b>	42
<b>3. Généralités</b>	43
3.1. Plaque d'identification	44
3.2. Fournisseur	44
3.3. Caractéristiques	45
<b>4. Présentation et utilisation</b>	46
<b>5. Sécurité du système</b>	46
5.1. Fermeture de la vanne d'alimentation en eau	46
5.2. Fermeture de la vanne d'alimentation en air	46
5.3. Dysfonctionnement prévus	46
5.4. Risques de désactivation	47
<b>6. Installation</b>	47
6.1. Bruit	47
6.2. Instructions de montage	47
6.3. Transport	47
6.4. Vibrations	47
6.5. Raccordement à l'eau	47
6.6. Raccordement de l'air	48
6.7. Fourniture de détergent	48
6.7.1. Satellite <u>sans</u> Système Bloc Utilisateur	48
6.7.2. Satellite <u>avec</u> Système Bloc Utilisateur	48
6.7.3. Satellite avec détergent pré dilué dans les conduits	49
6.8. Installation des flexibles pour les détergents pré-dilués	49
6.9. Raccordement de flexible	49
6.10. Montage de tuyaux pour produits chimiques préalablement dilués	49
<b>7. Démarrage initial</b>	50
7.1. Réglage du détergent	50
7.1.1. Buse limitante (SU21PD22/SU11PD22)	50
7.2. Réglage de l'air	50
<b>8. Fonctionnement</b>	51
8.1. Démarrer Satellite	51
8.2. Arrêter Satellite	51
8.3. Rinçage du système d'alimentation chimique/d'injection	51
<b>9. Entretien, détection des pannes et service</b>	51
9.1. Maintenance préventive	51
9.2. Remplacement des joints	51
9.3. Détartrage	52
9.4. Raccordement	52
9.5. Nettoyage interne de l'appareil	52
9.6. Remplacement du tuyau et entretien du clapet anti-retour	53
9.7. Détection des pannes et solution	54
9.8. Adresse du service	54
<b>10. Outils</b>	55
<b>12. Pièces de rechange</b>	73

## 2. Symboles utilisés dans ce document

	<p>Lire avant utilisation</p>
	<p>Veillez porter des lunettes lors de l'utilisation de l'appareil.</p>
	<p>Veillez porter des gants et des vêtements appropriés lors de l'utilisation de l'appareil.</p>
	<p>Utilisez le casque anti-brui</p>
	<p>Pas de projection sur les animaux, les humains ni les installations électriques</p>
	<p><b>Remarque :</b> Situation potentiellement dommageable. Conséquences possibles : Le produit ou des éléments l'entourant pourraient être endommagés. Prévention.</p>
	<p><b>Attention :</b> Situation dangereuse. Conséquences possibles : blessures légères ou mineures. Peut également être utilisé pour prévenir les dommages contre les biens ou d'autres produits.</p>
	<p><b>Avertissement :</b> Situation potentiellement dangereuse. Conséquences possibles : Mort ou blessures graves Prévention.</p>
	<p><b>Attention :</b> Situation dangereuse. Conséquences possibles : Prévention d'accidents mortels ou de blessures graves.</p>

### 3. Généralités

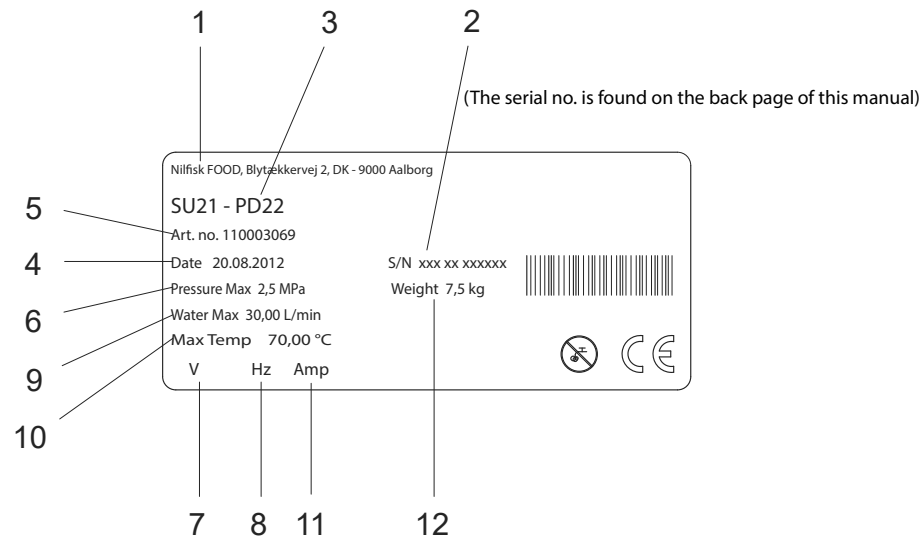
Nilfisk-ALTO Division Alimentation vous félicite pour votre nouvel équipement de nettoyage moussant à basse pression et désinfectant.

Cet équipement offre la toute dernière technologie en matière d'équipement de nettoyage à basse pression à votre usine.

Cet équipement peut être utilisé pour le rinçage, la formation de mousse et l'application de désinfectants.

Il est important que votre personnel opérationnel lise ces instructions d'utilisation avant l'installation, le démarrage et l'utilisation de l'équipement.

### 3.1. Plaque d'identification



1. Fabricant
2. N° de série
3. Type
4. Date de fabrication
5. N° de l'article
6. Pression maximale
7. Tension d'alimentation
8. Fréquence
9. Consommation d'eau maximale
10. Température maximale
11. Courant
12. Poids

### 3.2. Fournisseur

Nilfisk-FOOD  
 Blytækervej 2  
 DK-9000 Aalborg, Danemark  
 Tél. : +45 7218 2000  
 N° CVR 6257 2213  
 www.nilfiskfood.com

## 3.3. Caractéristiques

Caractéristiques techniques SUPD	
<b>Eau</b>	
Entrée, type de connexion	ISO7/1-R1/2
Sortie, type de connexion	Raccord rapide 1/2"
Consommation de l'eau - moussage*	8,7 l/min@20 bar
Consommation de l'eau - pulvérisation*	8,7 l/min@20 bar
Consommation de l'eau - rinçage	24,8 l/min@20 bar
Pression d'arrivée d'eau; min.	12 bar
Pression d'arrivée d'eau; max.	25 bar
Température max. de l'eau	70°
<b>Détergent pré-dilué</b>	
Entrée, type de connexion	ISO 228-G 1/2 mâle
Produits pré-dilués, pression d'entrée min.	6 bar
Produits pré-dilués, pression d'entrée max.	10 bar
Consommation de produits pré-dilués	7.1 l/min@20 bar
<b>Alimentation en air comprimé</b>	
Entrée, type de connexion	Ø6 mm à pousser
Pression min. de l'alimentation en air	6 bar
Pression max. de l'alimentation en air	10 bar
Flux requis	200 NI/min
<b>Buses (recommandé)</b>	
Buse de rinçage	25/30
Buse à mousse	50/150
Buse du pulvérisateur	40/30
<b>Généralités</b>	
Nombre de produits	2-4
Nombre de produits pré-dilués	2-3
Longueur max. flexible (recommandée)	30 m (25 m)
Niveau sonore ISO 11202	Inférieur à 70 dB
Poids	7,5 kg
Dimensions H x l x P	530 mm x 400 mm x 140 mm
* Local pick up	

## 4. Présentation et utilisation

L'unité hybride est une station de nettoyage complète à connecter à un booster ou à une unité principale. L'appareil nécessite une alimentation en quantité suffisante en eau, en air comprimé, en détergent et en désinfectant.

### Consommations :

L'appareil est agréé pour l'utilisation de détergents et désinfectants.



**Avertissement :** Ne changez pas les paramètres définis ou recommandés par le fournisseur des détergents !

Les détergents sont alimentés par un système de bloc utilisateur ou de bidons standards distincts. L'alimentation peut aussi être effectuée par un système de tuyauterie.

Avant l'installation et la configuration de l'appareil, lisez toujours attentivement ces instructions. Veuillez à toujours respecter les procédures de sécurité personnelle pour les produits chimiques dans le cadre des procédures de remplissage (remplacement du produit), la maintenance et la réparation. Consultez également l'étiquette produit et la fiche MSDS.

### Instructions de sécurité

Seul du personnel de service professionnel est autorisé à effectuer le service et les réparations sur l'appareil.

Seul du personnel qualifié est autorisé à utiliser l'appareil.

## 5. Sécurité du système

En cas d'erreur/de défaut ou de service sur l'équipement :

1. Fermez l'alimentation en eau
2. Fermez l'alimentation en air
3. Fermez l'alimentation pré diluée

### 5.1. Fermeture de la vanne d'alimentation en eau.

Grâce à cette vanne, l'appareil peut être isolé de l'alimentation en eau. En outre, un clapet anti-retour est intégré dans le bloc pour empêcher le reflux de l'eau.

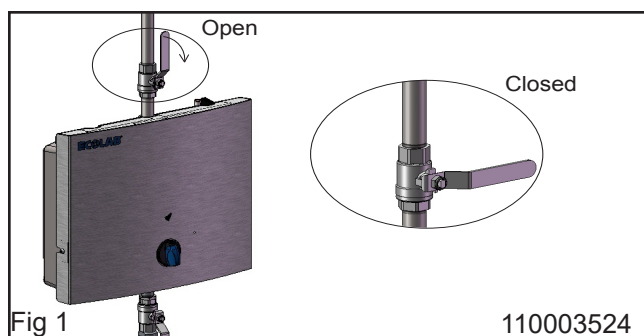


Fig 1

110003524

### 5.2. Fermeture de la vanne d'alimentation en air.

Grâce à cette vanne, l'appareil peut être isolé de l'alimentation en air. Deux clapets anti-retour pour l'air sont intégrés dans l'appareil pour empêcher le reflux d'air.

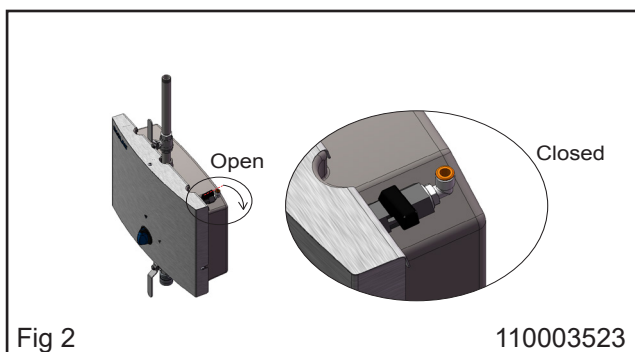


Fig 2

110003523

	Le manomètre/régulateur de pression d'air ne fonctionne que lorsque la vanne d'alimentation est ouverte.
	Veillez porter des lunettes lors de l'utilisation de l'appareil.
	Veillez porter des gants et des vêtements appropriés lors de l'utilisation de l'appareil.
	Utilisez le casque anti-bruit
	Pas de projection sur les animaux, les humains ni les installations électriques

### 5.3. Dysfonctionnement prévus

Tube de jet d'air dans l'appareil :

- L'appareil ne doit jamais être utilisé sans le capot avant.
- La vanne de fermeture de l'air sur/pour le branchement de l'appareil doit toujours être fermée lorsqu'il n'est pas utilisé.
- Le tuyau d'air et le raccord doivent être examinés régulièrement et remplacés en cas de dommages visibles.

Ventilation des clapets anti-retour pour l'air et l'eau :

- L'appareil ne doit jamais être utilisé sans le capot.
- La vanne de fermeture d'air et d'eau sur/pour le branchement de l'appareil doit toujours être fermée lorsque l'appareil n'est pas utilisé.
- Après l'utilisation de l'appareil, tous les clapets anti-retour de produits chimiques doivent être rincés abondamment avec de l'eau propre. Suivez les instructions dans le paragraphe 8.3.
- Les clapets anti-retour pour l'air et l'eau doivent être examinés au moins une fois par an par du personnel autorisé pour rechercher les défauts.

Réparation de l'appareil :

- Ne tentez pas de réparer un appareil défectueux par vous-même. Contactez toujours une société de service agréée.
- Bloquez et marquez tout appareil défectueux afin d'éviter une utilisation involontaire - voir le paragraphe ci-dessous concernant le « Risque de désactivation - Utilisation de l'appareil »
- Pour des raisons de sécurité, utilisez seulement des pièces de rechange d'origine agréées.
- Égalisez la pression dans le système avant d'effectuer la maintenance.
- Dès qu'il y a utilisation d'eau chaude, les tuyaux et les autres composants sont chauds. Lors de l'entretien, il faut auparavant s'assurer que les éléments concernés sont bien refroidis.

#### 5.4. Risques de désactivation

Utilisation de l'appareil :

- N'utilisez jamais l'appareil sans connaître au préalable les instructions d'utilisation de l'appareil et ses consignes de sécurité. Les instructions doivent être préparées par du personnel formé/qualifié.
- N'utilisez jamais l'appareil sans avoir lu le guide de sécurité et les instructions fournis.
- Fermez toujours l'alimentation en eau et en air après l'usage.
- Les impacts d'aérosols, de substances biologiques et micro biologiques peuvent constituer un risque selon le lieu de travail et le mode opératoire, ces impacts doivent donc être évalués au cas par cas.

Appareil endommagé :

- N'utilisez jamais l'appareil en cas de fuite (air, eau ou produit chimique).
- N'utilisez jamais l'appareil s'il n'est pas possible de faire fonctionner les vannes de fermeture et/ou s'il n'est pas possible de sélectionner l'opération requise.
- N'utilisez jamais l'appareil s'il a été retiré de son emplacement de montage d'origine.

## 6. Installation

Pour raison de sécurité, il est important de lire l'ensemble des informations avant l'installation de cet équipement. En outre, la législation en vigueur au moment de l'achat doit toujours être prise en compte lors de l'installation et du montage de cet équipement, quel que soit le contenu de ce manuel. En cas de conflit, veuillez contacter votre distributeur.

### 6.1. Bruit

Niveau sonore selon la norme ISO 11202 ; inférieur à 70 dB

## 6.2. Instructions de montage



- L'appareil doit être monté uniquement dans une pièce à l'abri du gel.
- L'appareil peut être monté sur un mur ou sur un châssis séparé qui peut être installé dans des zones de production et ancré au sol.
- Retirez le couvercle avant de monter l'appareil sur le mur.



- Pour le montage mural, notez les points suivants :
- Le mur de fixation doit être un mur de briques stable ou un mur en béton.
- Le support livré doit être fixé au mur à l'aide des vis fournies et des chevilles correspondantes
- Le support mural doit être monté sur le mur selon la description ci-dessus et l'unité est accrochée au support. Le porte-tuyau et le support du Bloc utilisateur doivent être montés ensuite. (Voir Installation/Montage)

## 6.3. Transport

Pour le transport sécurisé de l'appareil, nous recommandons toujours de veiller à ce que l'appareil ne puisse pas glisser ou basculer. L'utilisation de sangles pour sécuriser l'appareil peut s'avérer nécessaire.

Transport de l'appareil uniquement en position horizontale : L'appareil ne doit pas être placé à l'avant où se trouve le panneau de commande. Il ne peut pas non plus être placé au-dessus ou sous les emplacements de montage des raccords et des sorties.

Lorsque l'appareil est amené à une température d'environ ou inférieure à 0°C (32°F), vous devez toujours vous assurer que l'eau a été entièrement évacuée. Dans le cas contraire, vous risquez d'endommager l'appareil.

## 6.4. Vibrations

Vibrations dans les mains et dans les bras selon la norme ISO 5349-1

## 6.5. Raccordement à l'eau



- Avant de raccorder l'appareil à la conduite d'alimentation en eau, celle-ci doit être rincée soigneusement afin d'éliminer les impuretés grossières et les copeaux de métal.
- Le raccordement de l'eau doit être effectué sur la partie supérieure de l'appareil. (voir le schéma d'installation).
- La taille recommandée de conduit est 3/4" (Le minimum est un conduit de 1/2"). La connexion à l'unité est un fil externe de 1/2".
- L'unité doit être équipée d'une vanne de fermeture pour l'eau à l'entrée (voir schéma d'implantation).
- La perte de pression dans la conduite d'alimentation doit être maintenue aussi basse que possible en
  - évitant les longues conduites d'alimentation

- montant une résistance basse pression des clapets à bille et
- évitant les raccords avec perte de pression élevée.
- Lors de l'installation de la tuyauterie, prenez soin d'éviter les purgeurs d'air.
- Tous les raccords de tuyau de l'appareil doivent être vissés afin d'assurer une maintenance simple et le démantèlement de l'appareil.

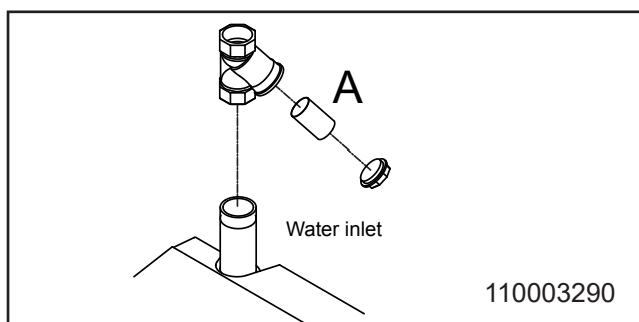
Température max. d'alimentation en eau autorisée : 70°C

Pression max. d'alimentation en eau autorisée : 25 bars

Consommation d'eau en mode rinçage : 30 l/min



Pour un fonctionnement optimal du système d'injection, nous recommandons d'installer un filtre sur l'arrivée afin d'éviter les impuretés. Voir le dessin n° 110003290

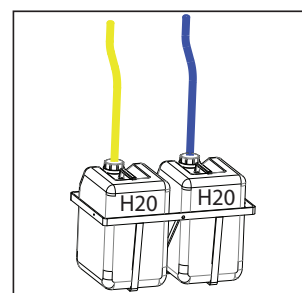
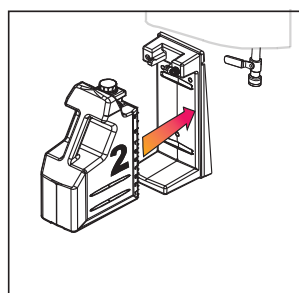
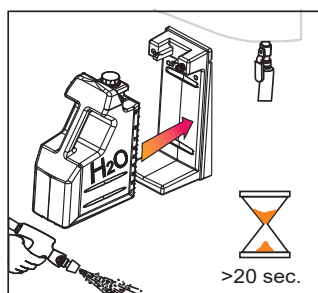
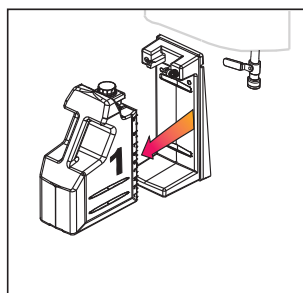


### 6.6. Raccordement de l'air

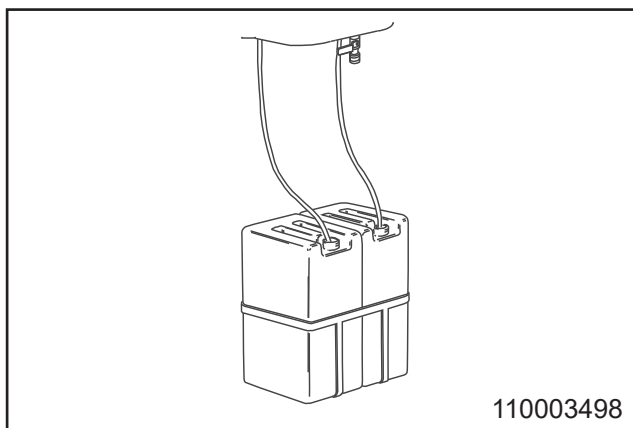


Avant de raccorder l'appareil à la conduite d'alimentation en air, la tuyauterie doit être rincée soigneusement afin d'éliminer les impuretés grossières.

- L'appareil nécessite une suralimentation en air
  - une pression d'arrivée de 6 bar minimum
  - une capacité minimale de 200 l/min.
- Le tuyau d'alimentation en air est directement connecté avec un raccord rapide pour un démontage facile. Tous les appareils, disposent d'une vanne d'arrivée équipée d'un fil de 1/4" (schémas d'installation).



110003485



### 6.7. Fourniture de détergent

#### 6.7.1. Satellite sans Système Bloc Utilisateur.

Voir le schéma n° 110003498

- Placer le bidon avec le détergent dans le porte-bidon
- Vérifiez le filtre d'aspiration d'impuretés.
- Mettez le tuyau d'aspiration dans le bidon au-dessous du niveau de produit et évitez toute aspiration d'air.
- Après le pré-rinçage, vérifiez à nouveau que le tuyau est assez en dessous du niveau du produit et évitez toute aspiration d'air au cours du mousage ou de la pulvérisation.
- Après l'utilisation et lors du changement du produit, ainsi qu'après l'utilisation de l'appareil, retirez le tuyau du bidon et rincez la conduite d'arrivée de produit et l'injecteur avec de l'eau propre.

#### 6.7.2. Satellite avec Système Bloc Utilisateur

Voir le schéma n° 110003485.

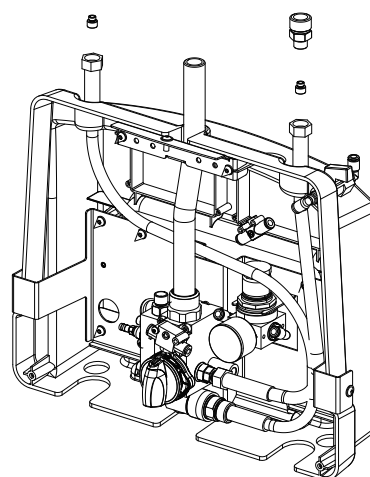
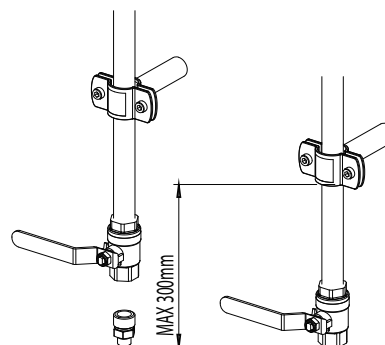
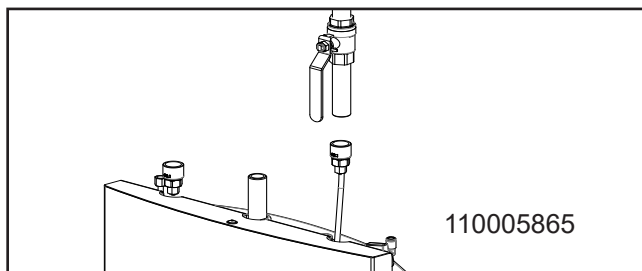
- Placez le bloc utilisateur spécial dans le support automatique.
- Lors du passage à un autre produit à la fin du processus de nettoyage, rincez la conduite d'arrivée du produit avec de l'eau propre comme suit :
- Remplacez le bloc utilisateur contenant le produit par un contenant de l'eau propre ; placez la buse de mousse et ouvrez le robinet de sortie/pulvérisateur. La conduite d'arrivée de produit est maintenant rincée avec de l'eau propre avant l'utilisation d'un autre produit ou.



### 6.7.3. Satellite avec détergent pré dilué dans les conduits



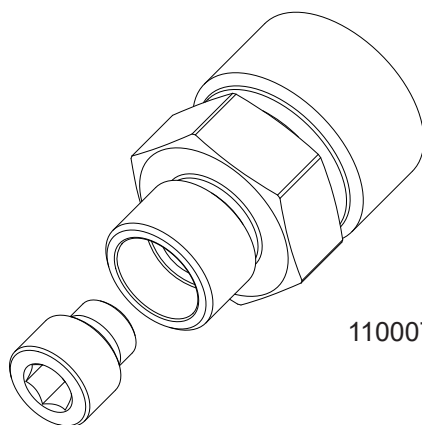
Pour une installation et un entretien sûrs, installez un clapet à bille sur le tuyau du détergent pré-dilué à proximité du satellite.



110006227B

### 6.8. Installation des flexibles pour les détergents pré dilués

Veillez installer le joint d'étanchéité/limiteur de débit dans le raccord hexagonal fourni, utilisez une clé hexagonale de 4 mm.



110007856A

Installez le raccord hexagonal sur le tuyau d'alimentation, utilisez un produit d'étanchéité approprié. La connexion d'arrivée de pré dilué de l'appareil est un fil externe de 1/2".

Fixez le flexible au raccord hexagonal à l'aide d'une clé pour sécuriser l'écrou-raccord. Assurez-vous que le flexible soit sécurisé avant d'ouvrir l'alimentation en détergent pré dilué.

### 6.9. Raccordement de flexible

- Le tuyau spécial muni d'un pulvérisateur/robinet de sortie est relié au raccord rapide de sortie de l'appareil (schéma d'installation).
- Longueur de tuyau maximale : 30 m.
- Il est recommandé de n'utiliser que des tuyaux Nilfisk Food qui ont été testés pour la résistance.
- 

### 6.10. Montage de tuyaux pour produits chimiques préalablement dilués

1. Raccorder la buse d'admission au tuyau d'admission.
2. Raccorder la buse d'admission au flexible d'entrée.

## 7. Démarrage initial

### 7.1. Réglage du détergent

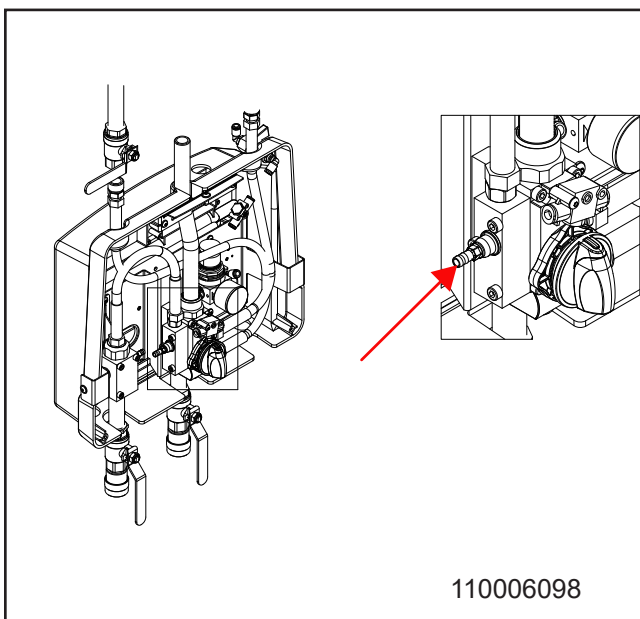
Le réglage de détergent peut être fait au moyen d'une buse limitante.

#### 7.1.1. Buse limitante (SU21PD22/SU11PD22)

Déposez le couvercle de l'appareil.

Le gicleur limiteur est placé dans l'embout d'aspiration du clapet anti-retour (110006098) et peut être remplacé par un gicleur plus petit ou plus gros en fonction de la concentration nécessaire, consultez également le tableau d'instructions.

Réinstallez le capot quand le réglage est fait.



110006098



Taille du gicleur en mm	Concentration par 20 bars /290PSI
Dégager	0,36 %
Rose	0,51 %
Bleu clair	0,64 %
Violet	0,70 %
Turquoise	1,43 %
Jaune	1,95 %
Marron	2,01 %
Orange	2,18 %
Vert	2,62 %
bronzer	3,94 %
Bleu	4,88 %
Blanc	6,02 %
Rouge	6,87 %
Beige	7,36 %
le noir	7,86 %
gris	7,96 %

### 7.2. Réglage de l'air

Démontez le couvercle de l'appareil.

Ajustez la pression de l'air sur la valve de réduction jusqu'à atteindre une qualité de mousse appropriée.



Lors du réglage du régulateur, tirez délicatement sur le bouton et tournez-le dans le sens horaire pour augmenter la pression et antihoraire pour la diminuer.



Tous les tests ont été effectués avec de l'eau.

Taille du gicleur en mm	Concentration par 20 bar en %
0,4	0,75
0,5	1,15
0,6	1,65
0,7	2,20
0,8	2,90
0,9	3,60
1,0	4,40
1,1	5,3
1,5	9,4

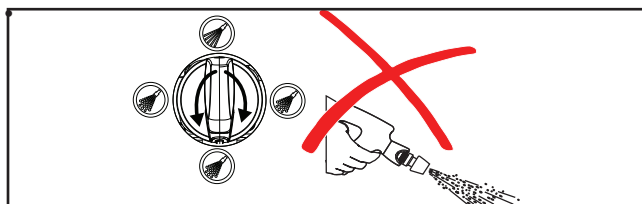


110003805

## 8. Fonctionnement

### 8.1. Démarrer Satellite

- Assurez-vous que l'alimentation en eau et en air de l'appareil est ouverte, consultez le schéma d'installation. Dans le cas de l'alimentation en produits chimiques, elle doit également être activée.
- Sélectionnez la fonction souhaitée. Utilisez l'appareil conformément au « Guide Utilisateur »
- La poignée d'aspersion ne doit jamais être activée pendant que l'on choisit une fonction sur le sélecteur.



### 8.2. Arrêter Satellite

- Fermez l'alimentation en eau (schéma d'implantation).
- Fermez l'alimentation en air (schéma d'implantation).
- Désactivez l'alimentation en produits chimiques en tirant le tuyau d'aspiration ou en retirant le bloc utilisateur. Dans le cas de l'alimentation en produits chimiques centrale, elle doit également être désactivée.



Il est important de fermer l'eau et l'air avant de quitter la machine après utilisation.

Si l'alimentation en air est ouverte quand l'appareil est hors fonction, l'air peut s'infiltrer dans la canalisation d'eau. Si c'est le cas, il faudra repurger le système. Il peut s'avérer nécessaire de repurger la tuyauterie et l'appareil en cas de mise hors service prolongée (congelés ou autres)

### 8.3. Rinçage du système d'alimentation chimique/d'injection



**ATTENTION**  
L'alimentation en produits chimiques doit toujours être rincée entièrement après usage

Les résidus de détergents ou de désinfectants peuvent encrasser l'injecteur. Il doit donc être rincé ou remplacé.

Pour éliminer les détergents et/ou résidus de désinfectants de l'alimentation en produits chimiques, procédez comme suit :

- Retirez le Bloc Utilisateur et le bidon standard
- Insérez un Bloc Utilisateur ou un bidon contenant de l'eau propre. Si c'est un bidon, assurez-vous que le flexible d'aspiration soit immergé dans l'eau.
- Ouvrez le pulvérisateur/le robinet de sortie et laissez-le ouvert jusqu'à ce que l'injecteur soit rincé (env. 30 secondes).



Suivez cette procédure côté détergent et côté désinfectant (si installé).

## 9. Entretien, détection des pannes et service

### 9.1. Maintenance préventive

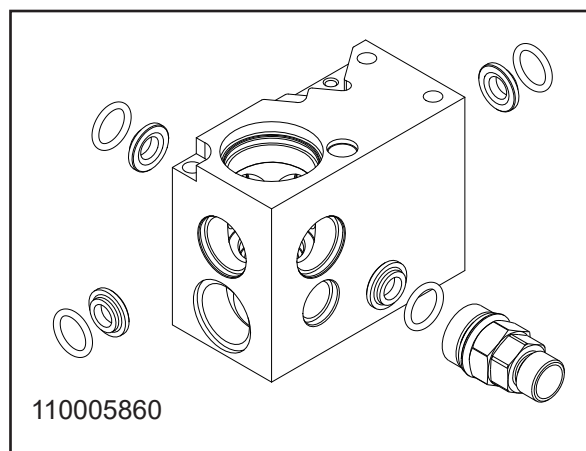
Selon l'utilisation, l'entretien doit être effectué par un technicien de maintenance agréé au moins une fois par an afin d'éviter tout défaut et dysfonctionnement. Les techniciens agréés sont des personnes qui, en raison de leurs compétences et de leur expérience ont une connaissance suffisante des systèmes d'hygiène et sont familiers avec les règles de sécurité du travail nationales, la réglementation sur la prévention des accidents, des instructions et les réglementations techniques généralement reconnues telles que les normes DIN et les directives VDE. Pour votre sécurité, cet appareil de nettoyage a été fabriqué conformément à toutes les réglementations correspondantes en vigueur dans l'UE et il comporte le marquage CE. Pour de plus amples renseignements, veuillez consulter le service clientèle.

### 9.2. Remplacement des joints

Quand le joint et le joint torique entourant le clapet à boule est démonté pendant le service ou la maintenance, ils doivent être remplacés.



Les quatre joints doivent être remplacés en même temps pour assurer un ajustement correct au clapet à boule.



Le joint et le joint torique dans le bloc sont illustrés dans l'illustration 110005860 et le kit de pièces de rechange dans l'illustration 110005832.

Pour fixer les joints et joints toriques au cours du montage dans la valve de contrôle et similaire( voir illustration), veuillez ajouter une petite quantité de graisse étanche sur le joint et les joints toriques avant de monter la valve de contrôle sur le bloc principal.

### 9.3. Détartrage

- La fréquence de la procédure de détartrage dépend de la dureté de l'eau.
- Assurez-vous que l'arrivée d'eau est fermée.
- Démontez le couvercle de l'appareil.
- Démontez le bloc d'injection. Démontez la vanne d'air et le clapet anti-retour d'air, y compris les pièces de fixation pour l'air.
- Mettez le bloc d'injection dans un bain de détartrage - assurez-vous que la vanne de dosage (la poignée) est au-dessus de la surface.
- Attendez 60 minutes.
- Rincez le bloc dans de l'eau claire.
- Montez la vanne d'air et le clapet anti-retour sur le bloc d'injection et ce bloc dans l'appareil.
- Raccordez l'eau à l'appareil.
- Testez l'appareil en position moussage (Foam) et assurez-vous que le vide est suffisant. Il doit être entre 14,8-20,7 inHg/ -0,05-0,07 MPa.
- Vérifiez que l'appareil peut démarrer et s'arrêter en mode rinçage et moussage
- Remettez le couvercle sur l'appareil

Vous devez respecter les fréquences de détartrage suivantes pour éviter que l'appareil ne s'entarte, ce qui pourrait entraîner son dysfonctionnement

°dH	ppm	Temps entre chaque détartrage
0-5	18-90	12 mois
5-10	90-180	6 à 12 mois
10-15	180-270	3 à 6 mois
15-20	270-360	3 à 6 mois
> 20	> 360	1 à 3 mois

### 9.4. Raccordement

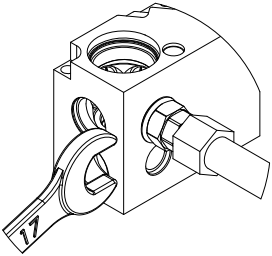
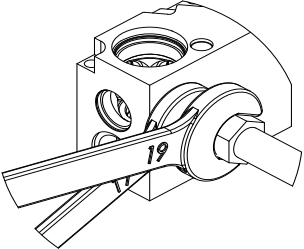
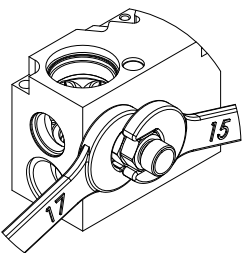
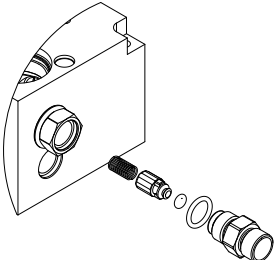
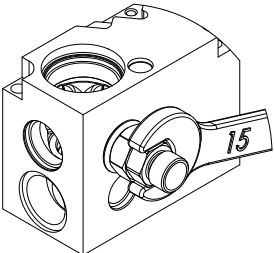
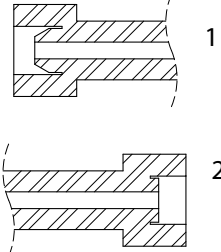
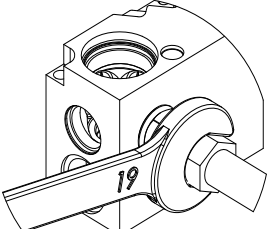
Il est recommandé de lubrifier toutes les pièces des raccords régulièrement (environ une fois par semaine) avec de la graisse hydrofuge pour éviter les fuites et l'endommagement des joints. Si l'appareil est équipé d'un pulvérisateur, le piston de celui-ci doit également être lubrifié.

En cas de fuite des raccords rapides, les joints doivent être remplacés.

### 9.5. Nettoyage interne de l'appareil

Nous vous recommandons d'ouvrir et de nettoyer l'intérieur de l'appareil au moins une fois par semaine

**9.6. Remplacement du tuyau et entretien du clapet anti-retour.**

	<p>Quand le flexible doit être démonté, il importe de tenir le non-retour sur sa partie la plus proche du bloc.</p> <p>Pour cela, il faut utiliser une clé de 17 mm.</p>
	<p>Tandis que l'on tient le non-retour par sa partie interne, c'est une clé de 19 mm qu'il faut pour libérer le flexible.</p> <p>S'il ne s'agit que de changer le flexible, dégagez l'extrémité opposée du flexible et passez à *.</p>
	<p>Pour libérer la partie extrême du clapet de non-retour, utilisez une clé de 15 mm.</p>
	<p>Check or exchange o-rings, piston etc. Examinez et, au besoin, changez le joint torique, le ressort etc.</p>
	<p>Bloquez bien le chapeau avec une clé de 15 mm.</p>
	<p>*</p> <p>1. Identifiez le bout du flexible se terminant par le siège oblique. C'est celui qui est utilisée pour la soupape du satellite.</p> <p>2. Le bout avec le siège plat sert à l'alimentation.</p>
	<p>Quand le bon bout est trouvé.</p> <p>Bien serrer pour fixer le flexible à l'aide d'une clé de 19 mm.</p>

## 9.7. Détection des pannes et solution

Problème	Cause	Solution
Pas de pression/pression trop faible	Insuffisant ou aucune alimentation en eau.	Ouvrez la vanne d'alimentation en eau (Voir 5.1 - fermeture du robinet).
	Si le filtre est bouché.	Nettoyer le filtre.
	Buse de rinçage non installée.	Placer la buse de rinçage.
Insuffisant ou pas de création de mousse.	Pas d'alimentation en produits dilués.	Consulter les instructions d'utilisation de l'unité de dosage.
	Produit non compatible.	Choisir un produit compatible.
	Insuffisant ou aucune alimentation en air.	Fournissez une alimentation en air suffisante.
	Pression de l'air dans la chambre de mélange trop élevée.	Réglez la pression de l'air.
	Clapet anti-retour pour l'air défectueux.	Remplacez le clapet anti-retour pour l'air.
	Mauvaise buse.	Placer une buse de moussage 50/150.
	Clapet anti-retour bloqué	Nettoyer et remettre le clapet anti-retour.
Pas de spray de désinfection.	Pas d'alimentation en produits dilués.	Consulter les instructions d'utilisation de l'unité de dosage.
	Clapet anti-retour bloqué.	Nettoyer et remettre le clapet anti-retour.
	Injecteur / chambre de mélange bloqué	Injecteur propre / chambre de mélange.

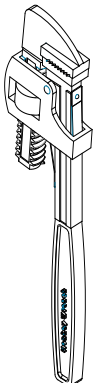

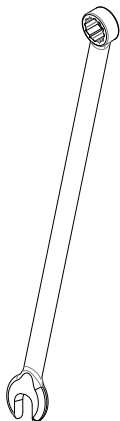




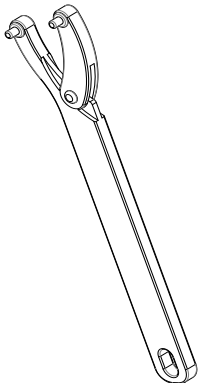
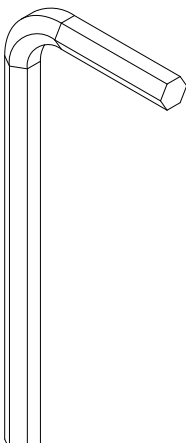
En cas d'erreurs/de problèmes non mentionnés ci-dessus, contactez votre technicien de maintenance local pour obtenir de l'aide.

## 9.8. Adresse du service

Reportez-vous à la couverture arrière de ce manuel

## 10. Outils

Outils standards utiles/ nécessaires pour l'entretien et la maintenance de la gamme complète d'équipements.

			
	<p>10, 11, 12, 13, 14, 15, 17, 19, 24 mm</p>		 <p>T15, T20, T25</p>  <p>10</p>  <p>PH1, PH2</p>
	<p>3mm pin</p>		<p>3, 4, 5, 6, 8, 10 mm</p>

## 11. Fin d'utilisation

### 11.1. Démontage

Fermez toutes les vannes d'alimentation et retirez l'appareil du mur.

### 11.2. Mise au rebut

Au cas où l'appareil doit être mis au rebut, et les pièces par exemple recyclables et non recyclables doivent être triées.

La structure en acier peut être facilement séparée et éliminée, ainsi elle ne constituera aucun danger ni pour l'environnement, ni pour l'utilisateur.

La mise au rebut doit être effectuée conformément à la réglementation en vigueur pour l'élimination des machines ainsi qu'à toutes les normes concernant la protection de l'environnement.



#### ATTENTION

La mise au rebut des composants électroniques et autres solutions doit être traitée de façon particulière. Ils peuvent également être éliminés par une entreprise d'élimination spécialisée.



<b>1. Índice</b>	
<b>2. Símbolos utilizados en el documento</b>	58
<b>3. Información general</b>	59
3.1. Placa de identificación	60
3.2. Proveedor	60
3.3. Especificaciones	61
<b>4. Descripción general y uso</b>	62
<b>5. Seguridad del sistema</b>	62
5.1. Válvula de cierre para el suministro de agua	62
5.2. Válvula de cierre para el suministro de aire	62
5.3. Previsión de fallos	62
5.4. Riesgo de pausa	63
<b>6. Instalación</b>	63
6.1. Ruido	63
6.2. Instrucciones de montaje	63
6.3. Transporte	63
6.4. Vibraciones	63
6.5. Conexión del agua	64
6.6. Conexión del aire	64
6.7. Suministro de detergente	64
6.7.1. Estación satélite <u>sin</u> sistema de paquete de usuario.	64
6.7.2. Estación satélite <u>con</u> sistema de paquete de usuario.	65
6.7.3. Satélite con detergente prediluido en los conductos	65
6.8. Instalación de mangueras para detergente prediluido	65
6.9. Conexión de tubo flexible	65
6.10. Montaje de manguera para producto químico prediluido	65
<b>7. Puesta en marcha inicial</b>	66
7.1. Ajuste del detergente	66
7.1.1. Boquilla de límite (SU21PD22/SU11PD22)	66
7.2. Ajuste del aire	66
<b>8. Funcionamiento</b>	67
8.1. Puesta en marcha de la estación satélite	67
8.2. Parada de la estación satélite	67
Cierre el suministro del agua (dibujo de la distribución)	67
8.3. Enjuague de la toma de suministro de productos químicos/sistema de inyección	67
<b>9. Mantenimiento, resolución de problemas y reparaciones</b>	68
9.1. Mantenimiento preventivo	68
9.2. Sustitución de juntas	68
9.3. Desencalado	68
9.4. Acoplamiento	68
9.5. Limpieza interna de la unidad	68
9.6. Reemplazo de manguera y servicio de válvula de retención	69
9.7. Resolución de problemas y remedio	70
9.8. Dirección de servicio técnico	70
<b>10. Herramientas</b>	71
<b>11. Fin del uso</b>	72
11.1. Desmontado	72
<b>12. Piezas de recambio</b>	73

## 2. Símbolos utilizados en el documento

	Leer antes de utilizar
	Lleve gafas siempre que use la unidad.
	Use guantes y ropa adecuada cuando use la unidad.
	Utilice protección auditiva
	Cuide de no salpicar animales, personas o instalaciones eléctricas.
	<b>Nota:</b> Situación potencialmente peligrosa. Posibles consecuencias: El producto o cualquier objeto que se encuentre cerca podría dañarse. Prevención.
	<b>Precaución:</b> Situación peligrosa. Posibles consecuencias: lesiones leves o menores. También puede usarse como advertencia por daños a la propiedad u otros bienes.
	<b>Advertencia:</b> Situación potencialmente peligrosa. Posibles consecuencias: Fallecimiento o lesiones graves. Prevención.
	<b>Peligro:</b> Situación peligrosa. Posibles consecuencias: Fallecimiento o lesiones graves. Prevención.

### 3. Información general

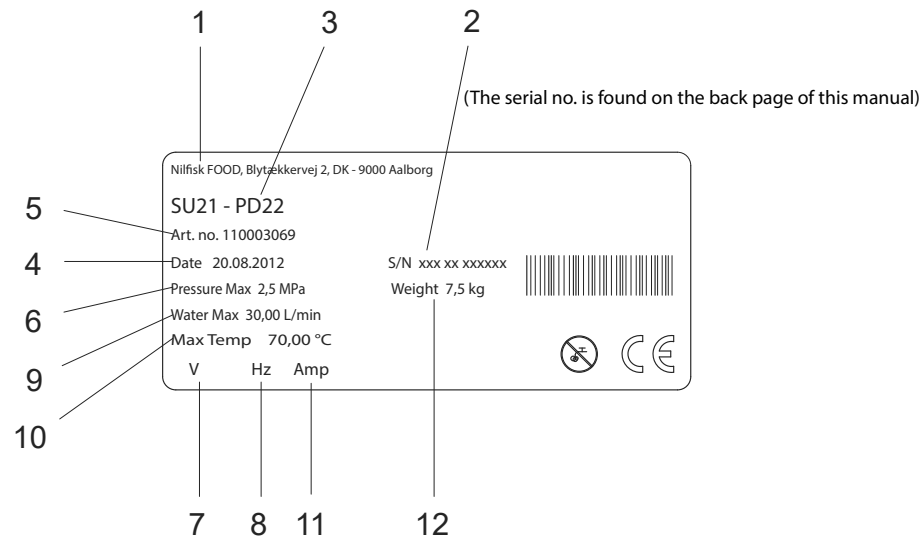
Nilfisk FOOD le felicita por la adquisición de su nuevo equipo de limpieza desinfectante y espuma a baja presión.

El equipo incluye el mejor estándar de tecnología de equipos de limpieza a baja presión de nuestra fábrica.

El equipo puede utilizarse para el enjuagar, enjabonar y aplicar desinfectantes.

Es importante que su personal operativo lea estas instrucciones de uso antes de instalar, arrancar y utilizar el equipo.

### 3.1. Placa de identificación



1. Fabricante
2. N. de serie
3. Tipo
4. Fecha de fabricación
5. N° de artículo
6. Presión máxima
7. Tensión de suministro
8. Frecuencia
9. Consumo máximo de agua
10. Temperatura máxima
11. Corriente
12. Peso

### 3.2. Proveedor

Nilfisk FOOD  
 Blytækkervej 2,  
 DK-9000 Aalborg, Dinamarca  
 Tel.: +45 7218 2000  
 CVR núm. 6257 2213  
 www.nilfiskfood.com

## 3.3. Especificaciones

Datos técnicos SUPD	
<b>Agua</b>	
Tipo de conexión de entrada	ISO7/1-R1/2
Tipo de conexión de salida	½" acople rápido
Consumo de agua - espumado*	8,7 l/min@20 bar
Consumo de agua - pulverización*	8,7 l/min@20 bar
Consumo de agua - enjuague	24,8 l/min@20 bar
Mín. presión de entrada	12 bar
Máx. presión de entrada	25 bar
Máx. temperatura de agua	70°
<b>Detergente prediluido</b>	
Tipo de conexión de entrada	ISO 228-G 1/2 masculino
Mín. Presión de entrada productos prediluidos.	6 bar
Máx. Presión de entrada productos prediluidos.	10 bar
<b>Consumo de productos prediluidos.</b>	7.1 l/min@8 bar
Suministro de aire comprimido	
Tipo de conexión de entrada	Ø6 insertable "push-in"
Mín. presión de suministro de aire	6 bar
Máx. presión de suministro de aire	10 bar
Caudal requerido	200 NI/min
<b>Boquillas (recomendadas)</b>	
Boquilla de enjuague	25/30
<b>Boquilla de espumado</b>	50/150
Boquilla de pulverización	40/30
<b>General</b>	
Número de productos	2-4
Número de productos prediluidos.	2-3
Máx. longitud de la manguera (recomendada)	30 m (25 m)
Nivel de ruido ISO 11202	Inferior a 70dB
Peso	7,5 kg
Dimensiones Al x An x F	530mm x 400mm x 140mm
* Local pick up	

## 4. Descripción general y uso

La unidad Hybrid es una estación de limpieza completa que se conecta a una unidad propulsora o estación principal. La unidad requiere un suministro suficiente de agua, aire comprimido, detergente o desinfectante.

### Consumo:

La unidad está aprobada para el uso de detergentes y desinfectantes.



**Advertencia:** No cambie los ajustes efectuados o recomendados por el proveedor de los detergentes.

Los detergentes se suministran mediante un sistema de paquete de usuario o en envases estándar independientes. El suministro también es posible a través de sistemas de tuberías.

Antes de la instalación y de la configuración de la unidad, se deben leer estas instrucciones por completo. Asegúrese siempre de seguir los procedimientos de seguridad personal para los productos químicos relacionados con los procedimientos de rellenado (cambio de producto), mantenimiento y reparaciones. Véase también la etiqueta del producto y la ficha MSDS.

### Instrucciones de seguridad

Solo el personal de servicio técnico profesional está autorizado para efectuar los trabajos de mantenimiento y reparaciones de la unidad.

Solo el personal instruido está autorizado para hacer funcionar la máquina.

## 5. Seguridad del sistema

En caso de error o defecto de funcionamiento del equipo:

1. Cierre el suministro de agua.
2. Cierre el suministro de aire.
3. Cierre el suministro de aire.

### 5.1. Válvula de cierre para el suministro de agua

Con esta válvula, la unidad se puede aislar del suministro de agua. Asimismo, en el bloque hay instalada una válvula de retención para evitar el reflujos del agua.

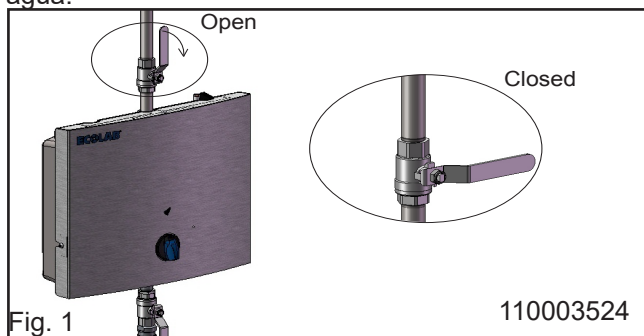


Fig. 1

110003524

### 5.2. Válvula de cierre para el suministro de aire

Con esta válvula se puede aislar la unidad del suministro de aire. La unidad tiene instaladas dos válvulas de retención para evitar el reflujos de aire.

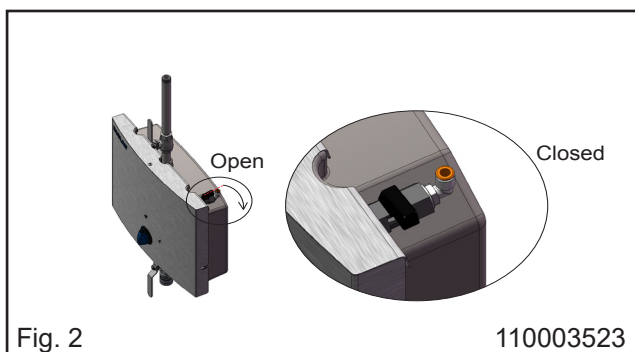


Fig. 2

110003523

	La regulación/calibración de la presión del aire solo funciona con la válvula de suministro abierta.
	Lleve gafas siempre que use la unidad.
	Use guantes y ropa adecuada cuando use la unidad.
	Utilice protección auditiva
	Cuide de no salpicar animales, personas o instalaciones eléctricas.

### 5.3. Previsión de fallos

Conducto de aire de la unidad reventado:

- Nunca se debe utilizar la unidad con la tapa frontal colocada.
- La válvula de cierre del aire de la unidad o conectada a ella debe cerrarse siempre cuando no se utilice.
- El conducto y la regulación del aire deben examinarse periódicamente y cambiarse en caso de daños visibles.

Avería de las válvulas de retención del aire y del agua:

- Nunca se debe utilizar la unidad con la tapa frontal colocada.
- La válvula de cierre del aire y del agua de la unidad o conectada a ella debe cerrarse siempre cuando no se utilice.

- Después de la utilización de la unidad, se deben enjuagar muy bien con agua limpia las válvulas de retención de productos químicos. Siga las instrucciones del párrafo 8.3.
- Las válvulas de retención del aire y del agua se deben someter a comprobaciones de defectos como mínimo una vez al año por personal autorizado.

Reparación de la unidad:

- No intente reparar una unidad defectuosa usted mismo. Póngase en contacto con una empresa de servicio técnico autorizada.
- Bloquee y marque todo defecto para evitar su uso accidental; véase el párrafo siguiente "Riesgo de pausa - Uso de la unidad".
- Por motivos de seguridad, utilice únicamente piezas de recambio autorizadas y originales.
- Compense la presión en el sistema antes de efectuar el mantenimiento
- Cuando se utiliza agua caliente, las tuberías, componentes, etc. se calientan. Al efectuar el mantenimiento hay que asegurarse de que las piezas se hayan enfriado.

#### 5.4. Riesgo de pausa

Uso de la unidad:

- Nunca use la unidad sin haber leído previamente sus instrucciones de uso y de seguridad. Las instrucciones deben ser elaboradas por personal formado/cualificado.
- Nunca utilice la unidad sin haber leído primero la guía e instrucciones de seguridad adjuntas.
- Cierre siempre el suministro del agua y del aire después de su uso.
- Los efectos de la exposición a aerosoles, sustancias biológicas y microbiológicas pueden suponer un riesgo en determinados puestos de trabajo y lugares de trabajo, que deberá evaluarse para cada caso particular.

Unidad dañada:

- Nunca utilice la unidad si se observan fugas (de aire, agua o productos químicos).
- Nunca use la unidad si no se pueden poner en marcha las válvulas de cierre o si no es posible seleccionar la función necesaria.
- Nunca utilice la unidad si se ha desalojado de su lugar de instalación original.

## 6. Instalación

Por motivos de seguridad, es importante que lea la información incluida antes de instalar el equipo. Además, la legislación vigente en el momento de la compra también debe tenerse en cuenta en relación con la instalación y montaje de este equipo, con independencia del contenido de este manual. En caso de conflictos, póngase en contacto con su distribuidor.

### 6.1. Ruido

El nivel de sonido cumple la normativa ISO 11202; es decir, ser inferior a los 70 dB.

### 6.2. Instrucciones de montaje



- La unidad debe colocarse solo en espacios que nunca alcancen temperaturas bajo cero.
- La unidad puede montarse en una pared o marco independiente que se puede instalar en áreas de producción, así como anclarse al suelo.
- Retire la cubierta antes de montar el sistema en la pared.



- Para el montaje en las paredes, debe tenerse en cuenta lo siguiente:
- La pared de montaje debe estar hecha de ladrillo estable o de hormigón.
- El soporte suministrado debe asegurarse a la pared mediante los tornillos incluidos y las correspondientes espigas.
- El soporte de pared debe montarse en la pared según la descripción anterior y la estación queda colgada en el soporte. Los soportes del tubo flexible y del paquete para el usuario deben montarse posteriormente. (Consulte Instalación/Montaje)

### 6.3. Transporte

Para un transporte seguro de la unidad, recomendamos asegurarse siempre de que la unidad no pueda deslizarse ni inclinarse. La unidad debe asegurarse mediante correas.

Transporte de la unidad solo en posición horizontal. La unidad no debe colocarse sobre la parte delantera, donde se encuentra el panel de operación. Tampoco se puede colocar sobre la parte superior ni inferior donde se encuentran las conexiones y salidas.

En caso de trasladarse a temperaturas de aproximadamente 0 °C (32 °F) o inferiores, debe asegurarse de haber vaciado por completo el agua de la unidad. En caso contrario, puede dañarse la unidad.

### 6.4. Vibraciones

Las vibraciones mano-brazo deben respetar la normativa ISO 5349-1.

## 6.5. Conexión del agua



- Antes de conectar la unidad al tubo de suministro de agua, la línea de suministro debe enjuagarse muy bien para eliminar las impurezas de suciedad y virutas de metal.
- La conexión del agua debe realizarse en la parte superior de la unidad (véase el dibujo de la distribución).
- El tamaño recomendado para la tubería es 3/4" (el mínimo es 1/2"). La conexión a la unidad es una rosca externa de 1/2".
- La unidad debe estar equipada con una válvula de cierre para el agua en la entrada (véase el plano esquemático).
- La pérdida de presión en la línea de suministro debe reducirse todo lo posible:
  - evitando conductos de suministro largos,
  - instalando resistencias de baja presión válvulas de bola y
  - evitando accesorios con gran pérdida de presión.
- Al instalar las tuberías, preste atención para evitar bloqueos del aire.
- Todas las conexiones de la unidad deben ser conexiones atornilladas que aseguren un mantenimiento y desmantelado de la estación sencillos.

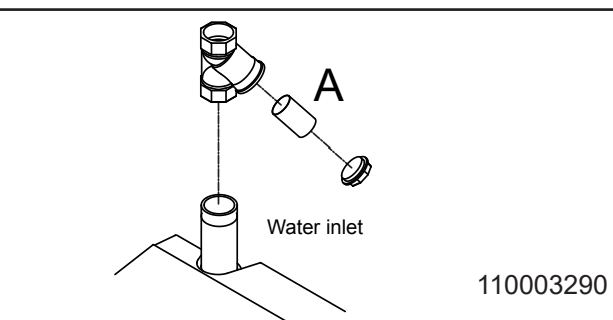
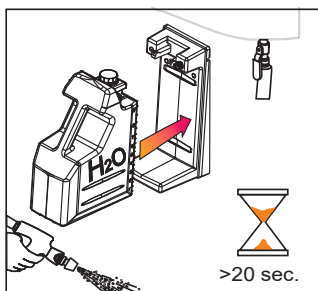
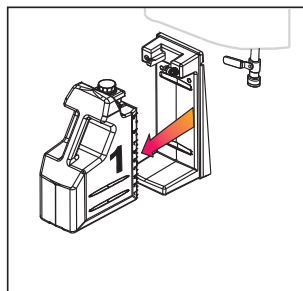
Temperatura máxima permitida para el suministro de agua: 70 °C

Presión máxima permitida para el suministro de agua: 25 bar

Consumo de agua en el modo de enjuague: 30 l/min.



Para un funcionamiento óptimo del sistema de inyección, recomendamos instalar un filtro en la entrada para evitar impurezas. Véase el dibujo núm. 110003290.



## 6.6. Conexión del aire



Antes de conectar la unidad al suministro de aire, el sistema de tuberías debe aclararse cuidadosamente para evitar impurezas de suciedad.

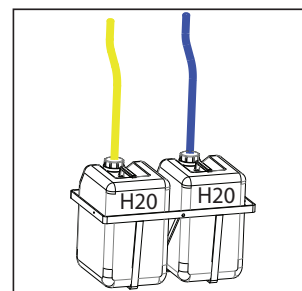
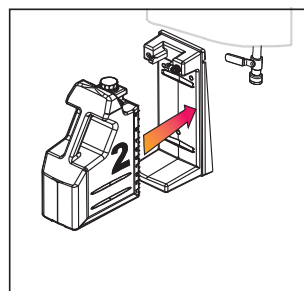
- La unidad requiere un impulso del suministro de aire
  - una presión de entrada de 6 bar como mínimo.
  - una capacidad mínima de 200 l/min.
- La tubería de suministro de aire se conecta directamente mediante un ajuste rápido para su rápida desinstalación. En todas las unidades, hay instalada una válvula de entrada con rosca 1/4" (véanse los dibujos de la distribución).

## 6.7. Suministro de detergente

### 6.7.1. Estación satélite sin sistema de paquete de usuario.

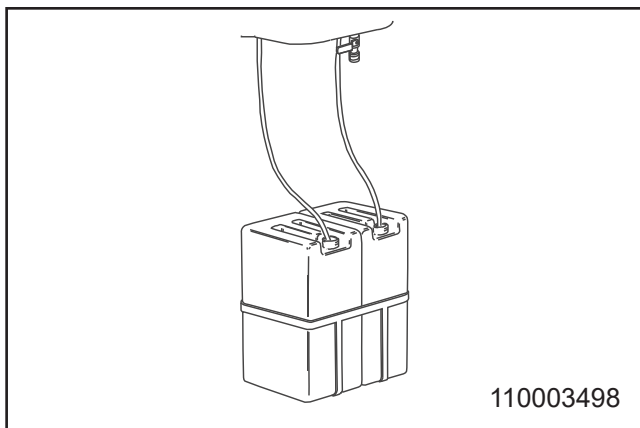
Véase el esquema núm. 110003498

- Coloque el envase con detergente en el soporte para el envase.
- Compruebe que no haya impurezas en el filtro de succión.
- Coloque el tubo flexible de succión en el envase por debajo del nivel de producto y evite la succión de aire.
- Después de un pre-enjuague, vuelva a comprobar que el tubo flexible se encuentre lo suficientemente por debajo del nivel de producto y evite la succión de aire durante la operación de enjabonado o pulverización.
- Después del uso y cuando se cambie de producto, así como después de utilizar la unidad, quite el tubo flexible del envase y enjuague la línea de entrada de producto y el sistema de inyección con agua limpia.



110003485





**6.7.2. Estación satélite con sistema de paquete de usuario.**

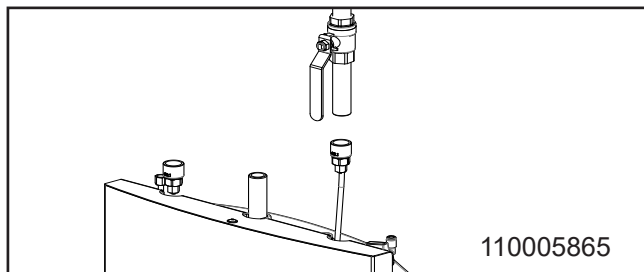
Véase el dibujo núm. 110003485.

- Coloque el paquete de usuario específicamente diseñado en el soporte automático.
- Si se cambia a un producto diferente al terminar el proceso de limpieza, enjuague la línea de entrada del producto con agua limpia de la siguiente forma:
- Sustituya el paquete de usuario que contenga el producto por uno con agua limpia, coloque la boquilla para espuma y abra la válvula de salida/pistola pulverizadora. La línea de entrada del producto se enjuagará con agua limpia antes de utilizar otro producto.

**6.7.3. Satélite con detergente prediluido en los conductos**

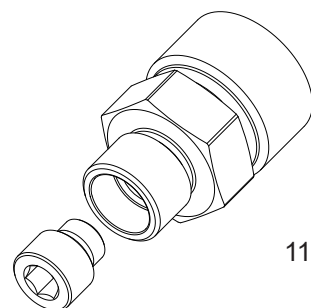


Para garantizar una instalación y servicio seguros, instale una válvula de bola en el conducto para detergente prediluido cerca del satélite..



**6.8. Instalación de mangueras para detergente prediluido**

Instale la junta/limitador de flujo en la boquilla hexagonal adjunta. Utilice una llave hexagonal de 4 mm.



Instale la boquilla hexagonal en la tubería de suministro. Utilice el sellador apropiado. La conexión de entrada prediluida de la unidad es de rosca externa de 1/2".

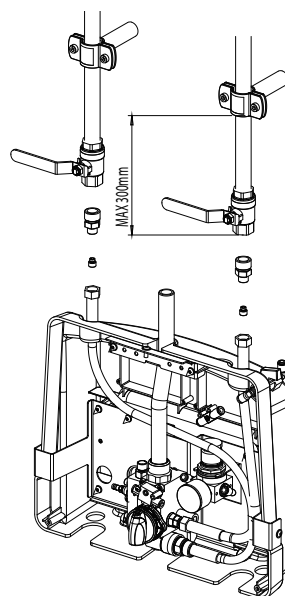
Conecte la manguera a la boquilla hexagonal, utilizando una llave para asegurar la tuerca de unión. Asegúrese de que la manguera esté asegurada antes de abrir el suministro de detergente prediluido.

**6.9. Conexión de tubo flexible**

- El tubo flexible especial con válvula de salida/pistola de pulverización está conectado a la salida mediante un rápido acoplamiento de la unidad (dibujo de la distribución).
- Longitud máxima del tubo flexible: 30 m.
- Se recomienda usar exclusivamente tubos flexibles Nilfisk Food, ya que su resistencia ha sido probada.

**6.10. Montaje de manguera para producto químico prediluido**

1. Primero, conecte la boquilla de entrada al tubo de entrada
2. A continuación, conecte la boquilla de entrada a la manguera de entrada



## 7. Puesta en marcha inicial

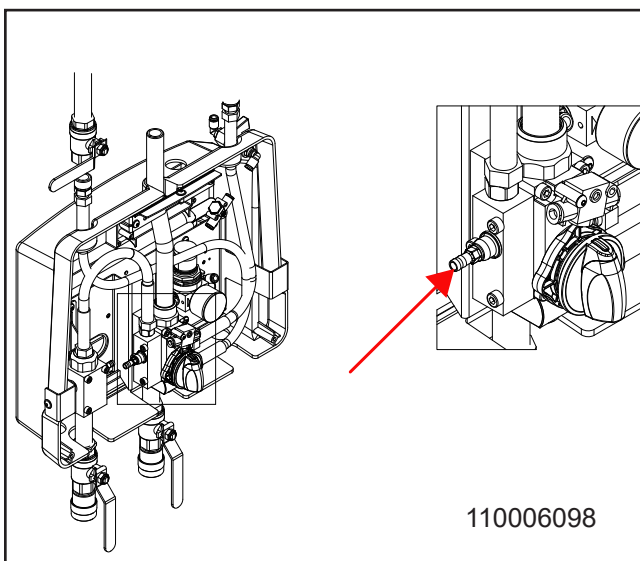
### 7.1. Ajuste del detergente

El ajuste del detergente puede realizarse por medio de una boquilla de límite.

#### 7.1.1. Boquilla de límite (SU21PD22/SU11PD22)

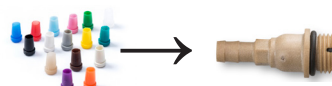
Retire la cubierta de la unidad.

La boquilla de límite se encuentra en la toma de succión de la válvula de retención (110006098) y se puede sustituir por una boquilla más grande o más pequeña, en función de la concentración necesaria. Consulte la tabla para conocer las instrucciones. Vuelva a poner la tapa cuando haya terminado de hacer los ajustes.



Todas las pruebas se han llevado a cabo con agua.

Tamaño de la boquilla en mm	Concentración por cada 20 Bar en %
0,4	0,75
0,5	1,15
0,6	1,65
0,7	2,20
0,8	2,90
0,9	3,60
1,0	4,40
1,1	5,3
1,5	9,4



Tamaño de la boquilla en mm	Concentración por cada 20 Bar /290 PSI
Claro	0,36 %
Rosado	0,51 %
Azul claro	0,64 %
Violeta	0,70 %
Turquios	1,43 %
Amarillo	1,95 %
Marrón	2,01 %
Naranja	2,18 %
Verde	2,62 %
Broncearse	3,94 %
Azul	4,88 %
Blanco	6,02 %
Rojo	6,87 %
Beige	7,36 %
negro	7,86 %
gris	7,96 %

### 7.2. Ajuste del aire

Retire la cubierta de la unidad.

Ajuste la presión de aire en la válvula de retención hasta alcanzar **una calidad de la espuma apropiada**.



Cuando ajuste el regulador, tire hacia arriba con cuidado del botón y gírelo de izquierda a derecha para aumentar la presión y de derecha a izquierda para disminuirla.

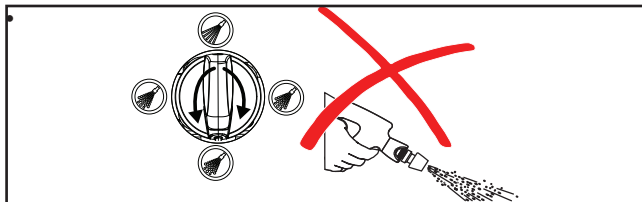


110003805

## 8. Funcionamiento

### 8.1. Puesta en marcha de la estación satélite

- Asegúrese de que el suministro de aire y agua a la unidad esté abierto, véase el dibujo de la distribución. En caso de suministro central de productos químicos, este también debe estar activado.
- Seleccione la función deseada. Utilice la unidad según la "Guía de usuario".
- Mantener siempre desactivada la pistola de aspersión al seleccionar una función en el mando.



### 8.2. Parada de la estación satélite

- Cierre el suministro del agua (dibujo de la distribución).
- Cierre el suministro del aire (dibujo de la distribución).
- Desactive el suministro de productos químicos, tirando del tubo flexible de succión o quitando el paquete de usuario. En caso de suministro central de productos químicos, este también debe estar desactivado.



Es importante cerrar el suministro de agua y el de aire al terminar de utilizar la unidad.

Si el suministro de aire está abierto cuando la unidad no se está utilizando, podría entrar aire en la tubería del agua. Si éste es el caso, habrá que volver a purgar el sistema.

Puede que sea necesario purgar las tuberías y la unidad si esta última ha estado cerrada durante un período de tiempo prolongado (por ejemplo, en vacaciones, etc.).

### 8.3. Enjuague de la toma de suministro de productos químicos/sistema de inyección



#### PRECAUCIÓN

La toma de suministro de productos químicos deberá enjuagarse siempre después de su uso.

Los restos de detergentes o desinfectantes pueden taponar el sistema de inyección, haciendo necesario su enjuague, o incluso su sustitución.

Siga este procedimiento para limpiar la toma de posibles restos de detergentes o desinfectantes.

- Quite el paquete de usuario o envase estándar.
- Introduzca un paquete de usuario o envase que contengan agua limpia. Si está utilizando un envase, asegúrese de que el tubo flexible de succión está sumergido en agua.
- Abra la válvula de salida/pistola pulverizadora y manténgala abierta hasta que el sistema de inyección esté enjuagado (30 segundos aproximadamente).



Este procedimiento deberá seguirse tanto en el extremo del detergente como del desinfectante (en caso de haberse instalado).

## 9. Mantenimiento, resolución de problemas y reparaciones

### 9.1. Mantenimiento preventivo

En función del uso, el mantenimiento debe ser efectuado por un ingeniero de servicio técnico autorizado una vez al año como mínimo, para evitar defectos y fallos de la operación. Los ingenieros autorizados son personas que, debido a su cualificación y experiencia, tienen un conocimiento suficiente de los sistemas de higiene y conocen las principales normativas de seguridad, reglamentos de prevención de accidentes y líneas y, generalmente están al tanto de reglamentos técnicos como las normas DIN y estipulaciones VDE. Por su seguridad, esta unidad de limpieza ha sido fabricada según todas las normativas relevantes válidas en la UE y, por tanto, se suministra con el sello de la CE. Para obtener más información, consulte al departamento de servicio técnico.

### 9.2. Sustitución de juntas

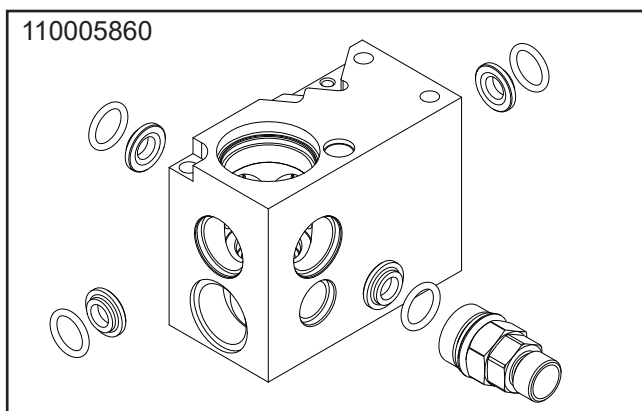
Cuando la junta y la junta tórica que rodean la válvula de bola se desmontan durante el servicio o mantenimiento tienen que sustituirse.



Es necesario cambiar las cuatro juntas a la vez para garantizar que la válvula de bola encaja correctamente.

La junta y la junta tórica del bloque se muestran en la ilustración 111005860 y el kit de piezas de recambio se muestra en la ilustración 110005832.

Para fijar las juntas y las juntas tóricas durante el montaje en la válvula de retención y similares (consulte la ilustración), ponga una pequeña cantidad de lubricante impermeable en las juntas y las juntas tóricas antes de montar la válvula de retención en el bloque principal.



### 9.3. Desencalado

- El intervalo de procedimientos de desencalado depende de la dureza del agua usada.
- Asegúrese de que el suministro de agua a la unidad está desconectado.
- Retire la cubierta de la unidad.
- Desmante el bloque del sistema de inyección. Desmante la válvula de aire y la válvula de retención del aire, incluidos las regulaciones de aire.
- Coloque el bloque del sistema de inyección en un baño de desencalado y asegúrese de que la válvula de dosificación (botón) quede sobre la superficie.
- Espere 60 minutos.
- Enjuague el bloque con agua limpia.
- Monte la válvula de aire y la válvula de retención en el bloque del sistema de inyección y coloque el bloque en la unidad.
- Conecte el agua a la unidad.
- Pruebe la unidad en posición Foam (Espuma). Asegúrese de que hay suficiente vacío, se recomienda que esté entre 14,8 - 20,7 inHg / -0.05 - 0,07 MPa.
- Compruebe que la unidad se enciende y apaga en posición Foam (Espuma) y Rinse (Aclarado).
- Vuelva a poner la tapa a la unidad.

Debe cumplir con los siguientes intervalos de desencalado para prevenir una acumulación de cal en la unidad que podría hacer que dejara de funcionar.

°dH	ppm	Tiempo entre desencalados
0-5	18-90	12 meses
5-10	90-180	6 a 12 meses
10-15	180-270	3 a 6 meses
15-20	270-360	3 a 6 meses
>20	>360	1 a 3 meses

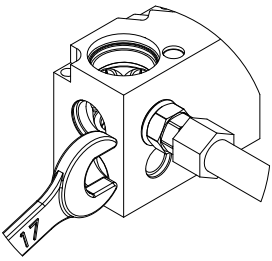
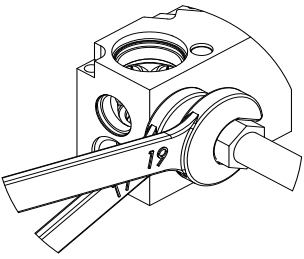
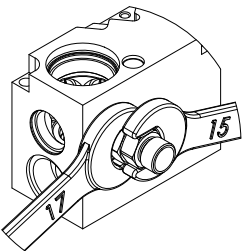
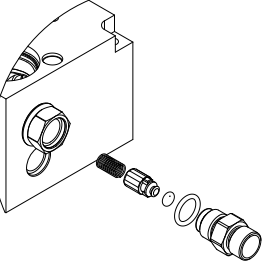
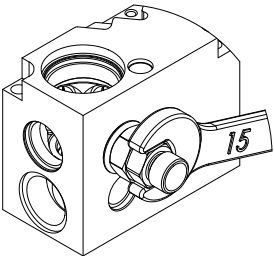
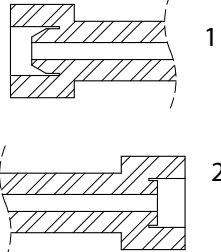
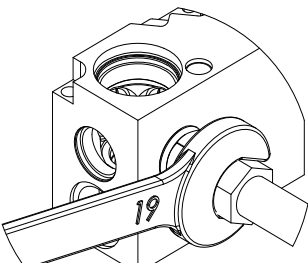
### 9.4. Acoplamiento

Se recomienda lubricar todas las partes de acoplamiento de forma regular (una vez a la semana, aproximadamente) con lubricante impermeable para evitar fugas y daños de las juntas tóricas. Si la unidad está equipada con una pistola pulverizadora, también se debe lubricar el pistón de la pistola. Deben sustituirse los acoplamientos rápidos que presenten fugas.

### 9.5. Limpieza interna de la unidad

Recomendamos abrir y limpiar la unidad por dentro una vez a la semana como mínimo.

**9.6. Reemplazo de manguera y servicio de válvula de retención**

	<p>Al retirar la manguera, es importante sostener la válvula de retención en la parte más cercana al bloque.</p> <p>Utilice una llave de 17 mm.</p>
	<p>Mientras sostiene la válvula de retención en la parte interior, utilice una llave de 19 mm para aflojar la manguera.</p> <p>Si solo es necesario reemplazar la manguera, afloje el extremo opuesto de la manguera y vaya a *.</p>
	<p>Utilice una llave de 15 mm para aflojar la parte exterior de la válvula de retención.</p>
	<p>Revise o reemplace las juntas tóricas, el resorte, etc.</p>
	<p>Fije la parte superior con una llave de 15 mm.</p>
	<p>*</p> <p>1. Identifique el extremo de la manguera que tiene un asiento cónico. Debe utilizarse en la válvula del satélite.</p> <p>2. Para el suministro se utiliza el extremo plano del asiento.</p>
	<p>Cuando se encuentra el extremo derecho. Fije la manguera con una llave de 19 mm.</p>

### 9.7. Resolución de problemas y remedio

Fallo	Causa	Solución
Ausencia de presión/presión demasiado baja	Suministro de agua insuficiente o inexistente	Abra la válvula de suministro de agua (Consulte 5.1 - Cierre de la válvula)
	¿Está obstruido el filtro, si lo hubiera?	Limpie el filtro
	Boquilla de enjuague no instalada	Coloque la boquilla de enjuague
Creación de espuma insuficiente o inexistente	No hay suministro de productos diluidos	Consulte las instrucciones de uso de la unidad dosificadora
	Producto no apto	Seleccione un producto adecuado
	Suministro de aire insuficiente o inexistente	Proporcione un suministro de aire suficiente
	Presión demasiado alta en la cámara de mezclado	Ajuste el valor de la presión
	Fallo en la válvula de retención del aire	Sustituya la válvula de retención del aire
	Boquilla incorrecta	Coloque una boquilla 50/150
	Válvula de retención bloqueada	Limpie o sustituya la válvula de retención
Ausencia de desinfección en espray	Inyector/cámara de mezclado bloqueados	Limpie la boquilla
	No hay suministro de productos diluidos	Consulte las instrucciones de uso de la unidad dosificadora
	Válvula de retención bloqueada	Limpie o sustituya la válvula de retención
	Inyector/cámara de mezclado bloqueados	Limpie el inyector/la cámara de mezclado

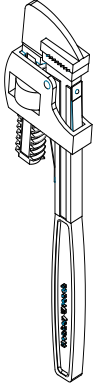
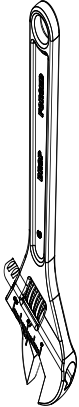
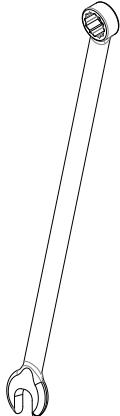




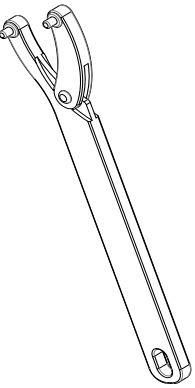
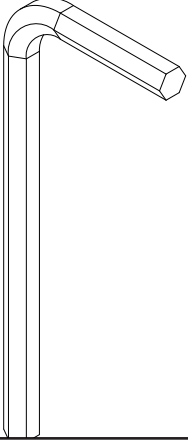
En caso de errores/problemas no mencionados anteriormente, póngase en contacto con su servicio técnico local para obtener más ayuda.

### 9.8. Dirección de servicio técnico

Consulte la parte posterior del manual.

## 10. Herramientas

Herramientas estándar que son útiles/necesarias para realizar el servicio técnico y el mantenimiento en la gama completa de equipos.

			
	<p>10, 11, 12, 13, 14, 15, 17, 19 y 24 mm</p>		 <p>T15, T20, T25</p>  <p>10</p>  <p>PH1, PH2</p>
	<p>3mm pin</p>		<p>3, 4, 5, 6, 8, 10 mm</p>

## 11. Fin del uso

### 11.1. Desmontado

Cierre todas las válvulas de suministro y retire la unidad de la pared.

### 11.2. Desechado

En caso de tener que desechar la unidad, debe separarse y clasificarse en piezas reciclables y no reciclables. La estructura de acero se puede separar y desechar fácilmente y no constituye ningún peligro para el medio ambiente ni para el usuario.

El desechado se debe realizar según las normas y reglamentos de desechado de máquinas vigentes, así como todos los estándares relacionados con la protección del medio ambiente.



#### PRECAUCIÓN

El desechado de componentes electrónicos y otros remedios debe ser manejado de forma especial. Asimismo, se puede llevar a una empresa especialista en desechos.



**Recommended spare parts  
Empfehlenswerte Ersatzteile  
Pièces de rechange conseiées  
Piezas de requesto recomendadas**

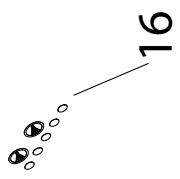
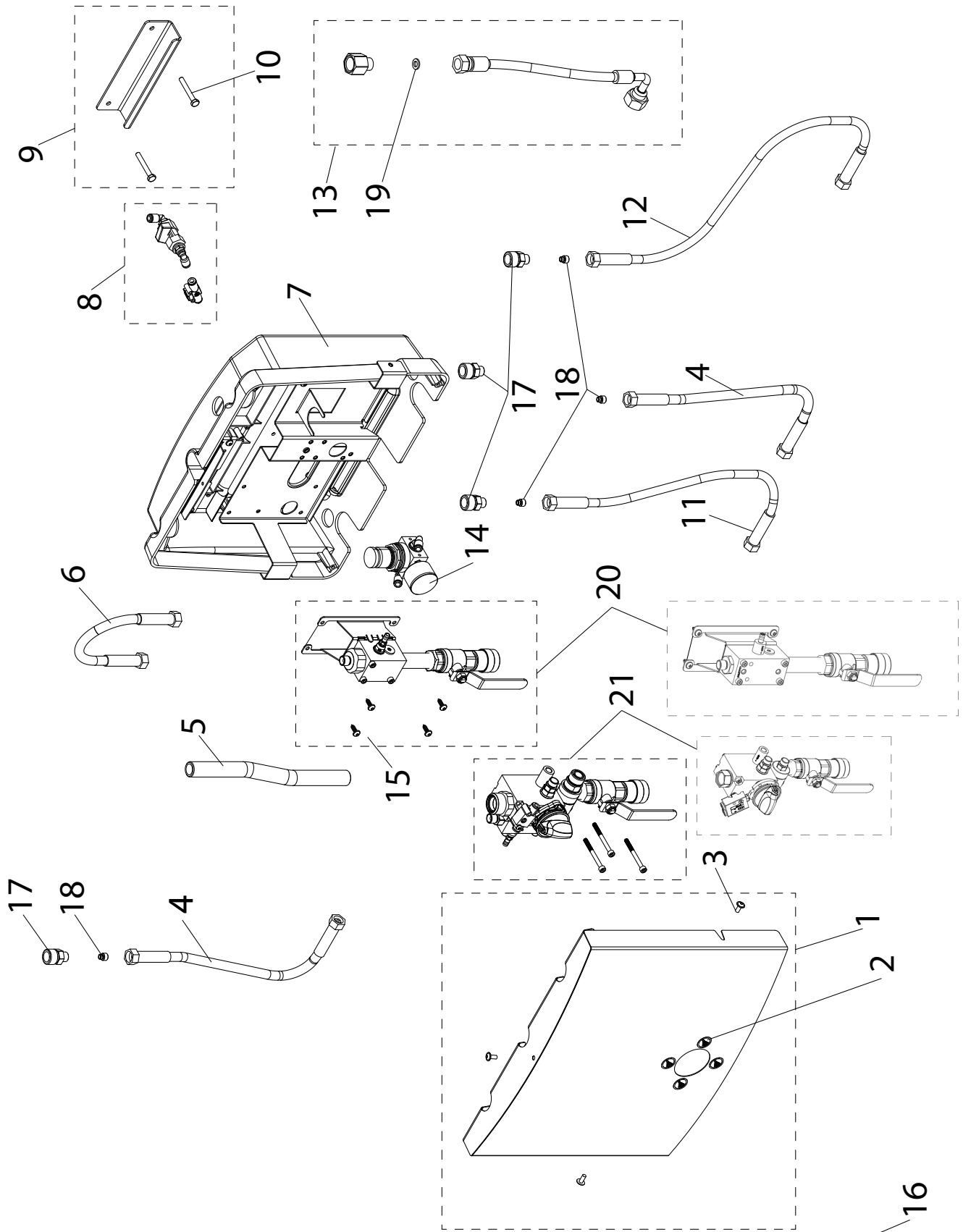
If the satellite has a serial number <11101001271, use manual "110005791Q" to find the correct spare part.

Wenn der Satellit eine Seriennummer <11101001271 hat, verwenden Sie das Handbuch „110005791Q“, um die richtigen Ersatzteile zu finden.

Si le satellite porte un numéro de série <11101001271, utilisez le manuel "110005791Q" pour trouver la pièce détachée appropriée.

Si el satélite tiene un número de serie <11101001271, utilice el manual "110005791Q" para encontrar las piezas de repuesto correctas.

# SUPD



110005801B

Pos./Ref.	Nr. No.	Description Beschreibung Désignation Designación	SU21-PD22	SU11-PD22	SUPD21	SUPD22	SUPD32	SUPD33	SUPD22DW
1	110009077	Cover complete	1	1	1	1	1	1	1
2	110005783	Label	1	1	1	1	1	1	1
3	110003277 (110000847)	Screw kit							
4	110007778	Inlet hose L400	2	1		2	3	3	2
5	110006042	Water inlet	1	1	1	1	1	1	1
6	110007858	Inlet hose L305	1						
7	110005825	Back part complete	1	1	1	1	1	1	1
8	110003285	Air connection complete	1	1	1	1	1	1	1
9	110001066	Wall bracket complete	1	1	1	1	1	1	1
10	110003277 (0607929)	Screw kit							
11	110007859	Inlet hose L450	2	1	2	2	3	3	2
12	110007860	Inlet hose L610							
13	110005815	Inlet hose DW							1
14	110002788	Regulation unit air with manometer	1	1	1	1	1	1	1
15	110003277 (0602092)	Screw kit							
16	110006191	Label kit (optional)							
17	110007810	Hose nipple for flow limiter	2	2	2	2	3	3	2
18	110007721	Flow limiter Ø2.4	2	2	2	2	3	3	2
18	110007826	Flow limiter Ø2.0 - drill to size (optional)							
19	110005831 (110005838)	O-ring kit							1
20		Local block serial no. : →111.01.000XXX see page 84	1						
20		Local block serial no.: 160.01.000XXX→ see page 86	1						
21		Block complete serial no.: →111.01.000XXX see page 76 & 78	1	1	1	1	1	1	1
21		Block complete serial no.: 169.01.000XXX→ see page 80 & 82	1	1	1	1	1	1	1

English (EN)

Deutsch (DE)

Français (FR)

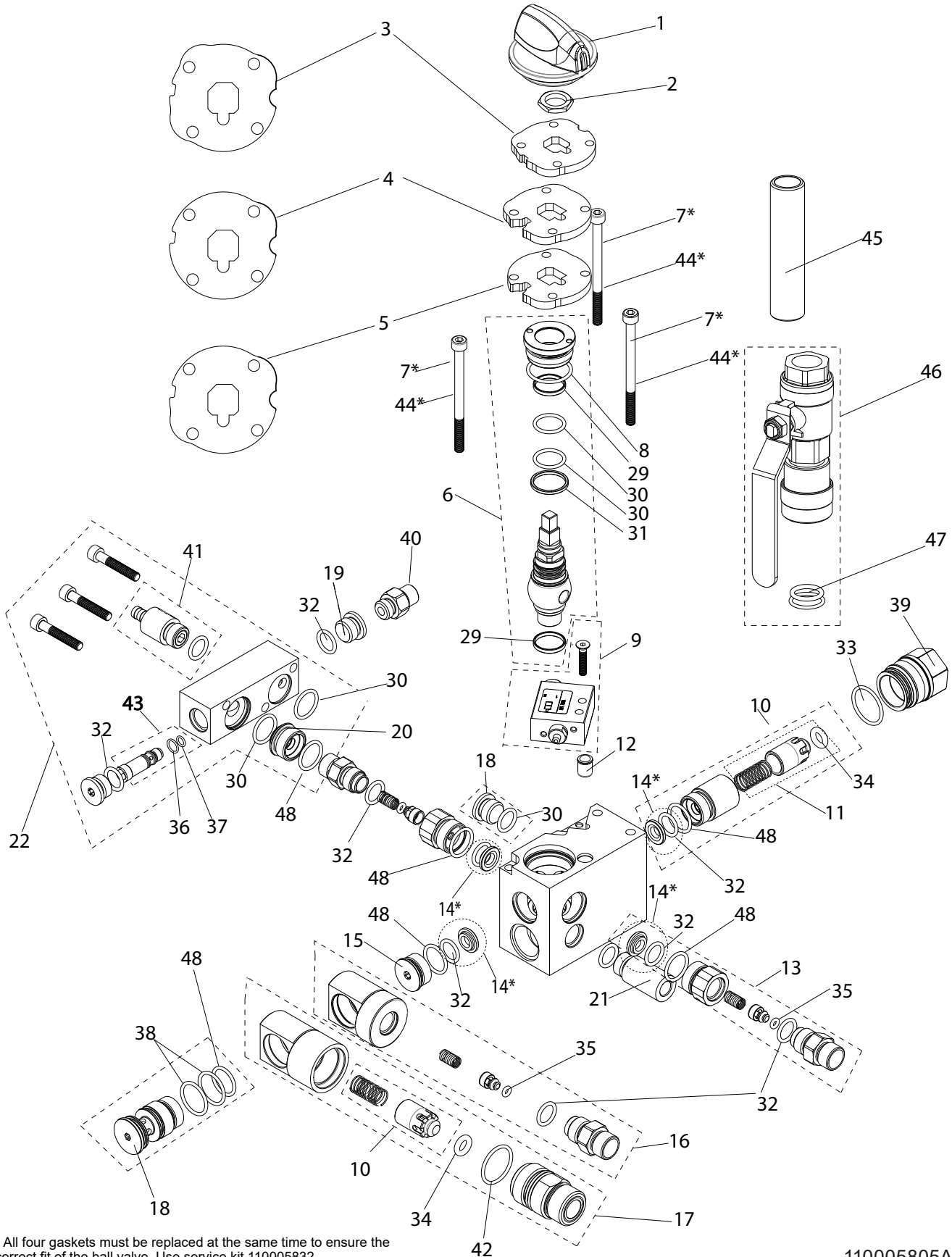
Español (ES)

# SUPD Block complete

## Serial no.: →111.01.000XXX

\*Pos. 7:  
Valid until and including S/N 11101000108

\*Pos.44:  
Valid as of S/N 11101000109



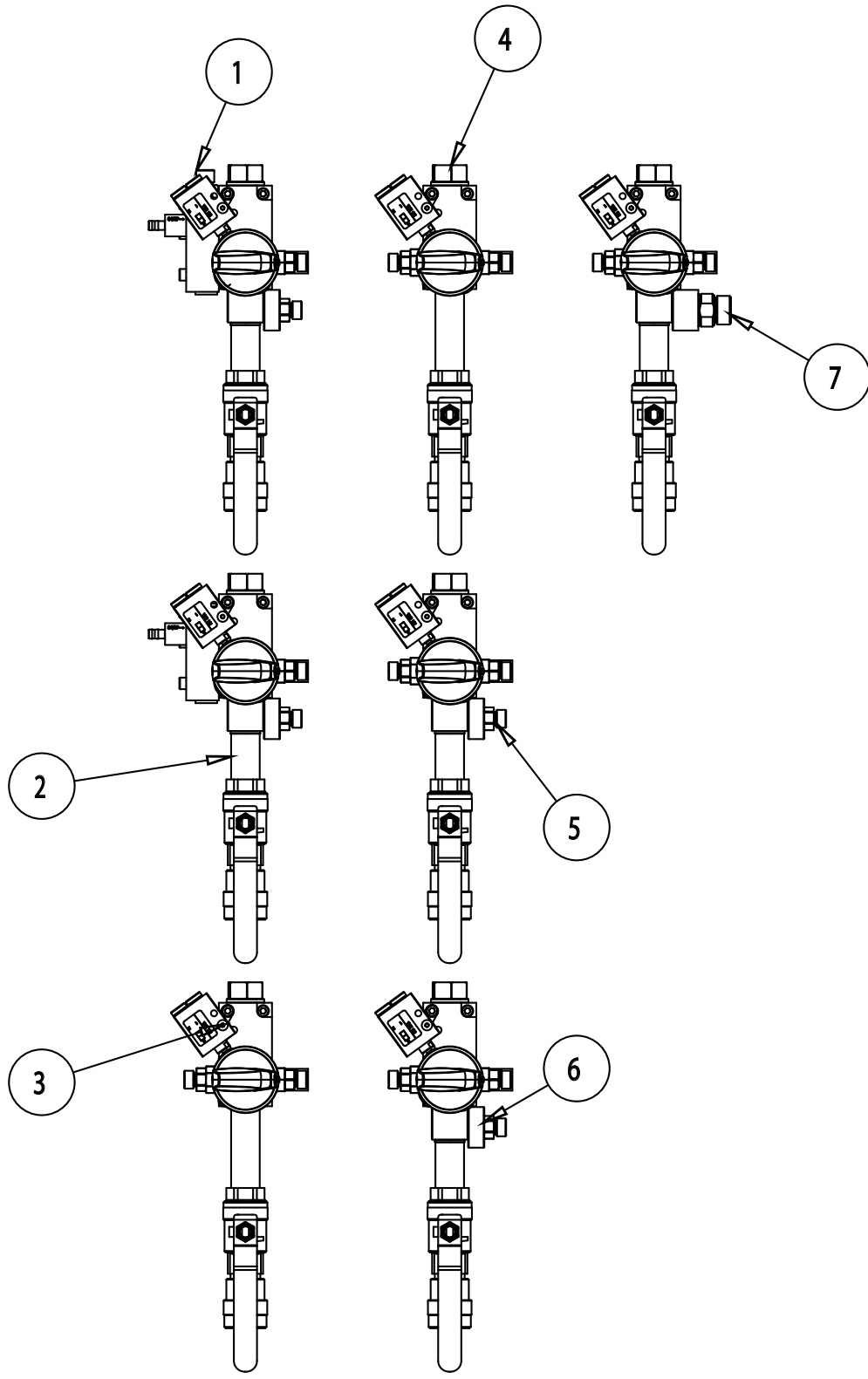
\* All four gaskets must be replaced at the same time to ensure the correct fit of the ball valve. Use service kit 110005832

110005805A

Pos./Ref.	Nr. No.	Description Beschreibung Désignation Designación	SU21-PD22	SU11-PD22	SUPD21	SUPD22	SUPD32	SUPD33	SUPD22DW
1	909100214	Operation botton	1	1	1	1	1	1	
2	110005850	Counter nut kit	1	1	1	1	1	1	
3	110005730	Position plate 5 way valve 0111 air	1	1				1	
4	110006464	Position plate 5 way valve 0100 air			1				
5	110005759	Position plate 5 way valve 0101 air				1	1		1
6	110005846	Axle 5 way valve (always contains a service kit - see pos. 13)	1	1	1	1	1	1	1
7*	110003277 (0602030)	Screw kit (valid until and including S/N 11101000108)							
8	110005831 (110002954)	O-ring kit							
9	110005848	Valve 3/2 way	1	1	1	1	1	1	1
10	110005845	Water non return valve PD complete	1	1	1	1	1	1	1
11	110005844	Water non return valve PD	1	1	1	1	1	1	2
12	110002392	Spring plunger	1	1	1	1	1	1	1
13	110005744	Sealing holder with non return valve 60° seat	1	1		2	2	2	2
14	110005832	Service kit axle 5 way valve	1	1	1	1	1	1	1
15	110005750	Sealing holder plug			1	1			
16	110005776	Complete swivel for pre diluted 60° seat	1	1			1	1	
17	110005773	Complete swivel for water inlet							1
18	110005862	Swivel with sealing holder	1	1			1	1	1
19	110000573	Plug 1/4"			1	1	1	1	1
20	110005747	Plug at local chemistry and sealing holder	1	1					
21	110000468	Air non return valve	1	1	1	1	1	1	1
22	110005849	Block 1 local chemistry PD complete	1	1					
...									
29	110005831	(110005676) O-ring kit							
30	110005831	(110004871) O-ring kit							
31	110005831	(110005656) O-ring kit							
32	110005831	(110002952) O-ring kit							
33	110005831	(0600078) O-ring kit							
34	110005831	(110002785) O-ring kit							
35	110005831	(0635021) O-ring kit							
36	110005831	(110004887) O-ring kit							
37	110005831	(110004888) O-ring kit							
38	110005831	(110002955) O-ring kit							
39	110005743	Seat for non return valve	1	1	1	1	1	1	1
40	110007698	Hose nipple 1/4" - 1/4" 60° seat	1						
41	110001102	Chemical non return valve	1	1					
42	110005831	(0600078) O-ring kit							
43	110004071	Injector kit	1	1					
44*	110003277 (0602033)	Screw kit ( Valid as of S/N 11101000109)							
45	110003567	Pipe	1	1	1	1	1	1	1
46	110003682	Outlet coupling	1	1	1	1	1	1	1
47	110005831 (641100)	O-ring kit							
48	110005831	(110007371) O-ring kit							

# SUPD Hose identification

Serial no.: →111.01.000XXX



110007774

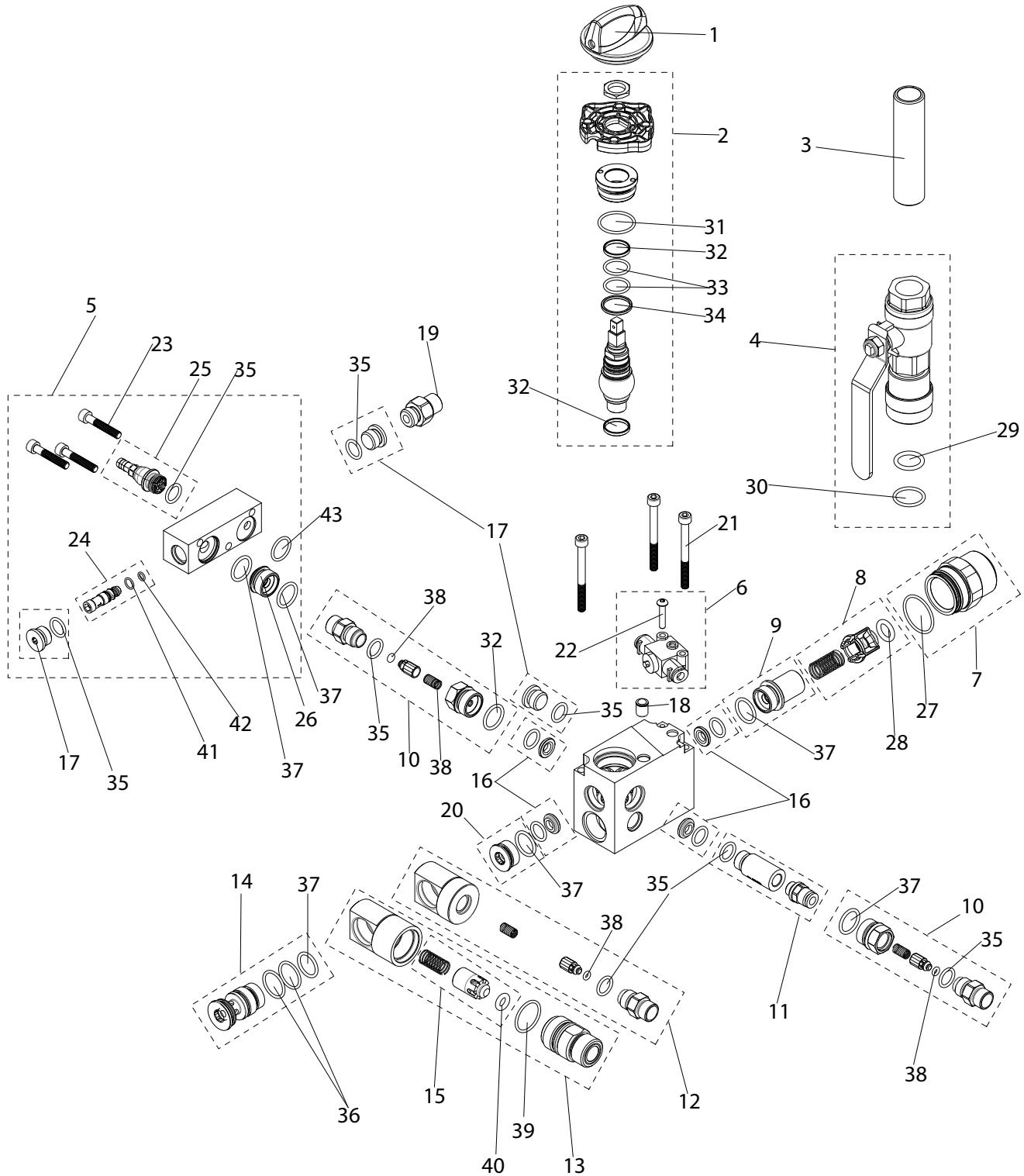
Pos./Ref.	Nr. No.	Description Beschreibung Désignation Designación	SU21-PD22	SU11-PD22	SUPD21	SUPD22	SUPD32	SUPD33	SUPD22DW
1	110007766	5 way valve SU21-PD22 complete braided hose 60° Seat	1						
2	110007768	5 way valve SU11-PD22 complete braided hose 60° Seat		1					
3	110007767	5 way valve SUPD21 complete braided hose 60° Seat			1				
4	110007769	5 way valve SUPD22 complete braided hose 60° Seat				1			
5	110007770	5 way valve SUPD32 complete braided hose 60° Seat					1		
6	110007836	5 way valve SUPD33 complete braided hose 60° Seat						1	
7	110007771	5 way valve SUPD22DW complete braided hose 60° Seat							1

# SUPD Block complete

## Serial no.:169.01.000XXX→

\*Pos. 7:  
Valid until and including S/N 11101000108

\*Pos.44:  
Valid as of S/N 11101000109



\* All four gaskets must be replaced at the same time to ensure the correct fit of the ball valve. Use service kit 110005832

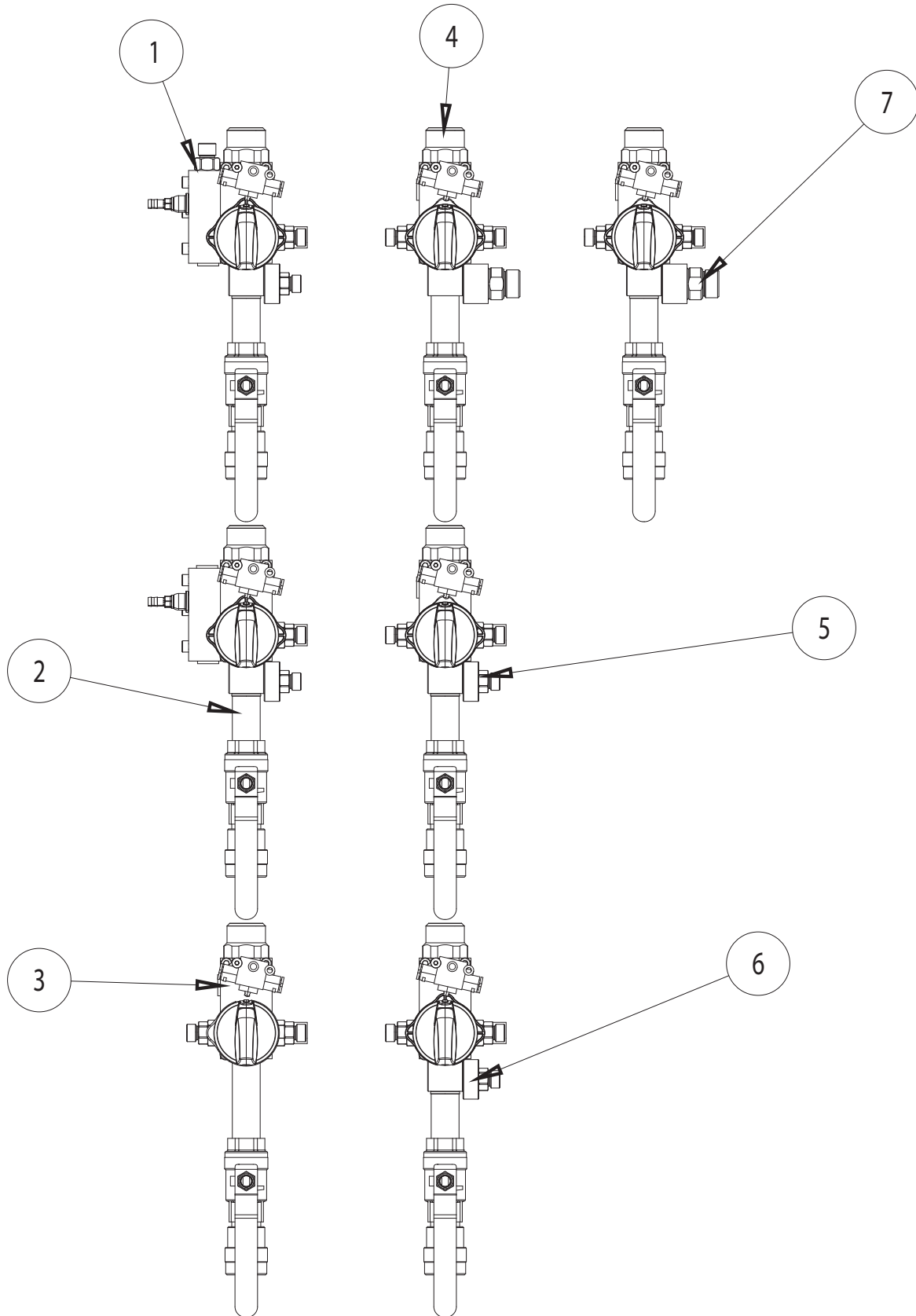
110008983C



Pos./Ref.	Nr. No.	Description Beschreibung Désignation Designación	SU21-PD22	SU11-PD22	SUPD21	SUPD22	SUPD32	SUPD33	SUPD22DW
1	909100249	Selector knob	1	1	1	1	1	1	1
2	110009094	Axle complete 0100 air			1				
2	110009092	Axle complete 0101 air				1	1		1
2	110009093	Axle complete 0111 air	1	1					
3	110003567	Pipe							
4	110003682	Outlet	1	1	1	1	1	1	1
5	110009095	Local PD block complete	1	1					
6	110008923	Air valve complete	1	1	1	1	1	1	1
7	110008767	Inlet connection kit	1	1	1	1	1	1	1
8	110008772	Water non return valve	1	1	1	1	1	1	1
9	110009096	Spring and gasket fitting	1	1	1	1	1	1	1
10	110007808	Gasket fitting with non return valve	1	1		2	2	2	2
11	110001979	Air non return valve complete	1	1	1	1	1	1	1
12	110005770	Swivel with non return valve	1	1			1	1	
13	110005773	Swivel with non return valve DW							1
14	110005862	Swivel with gasket holder	1	1			1	1	1
15	110005844	Water non return valve	1	1			1	1	1
16	110005832	Sealing and gasket service kit	1	1	1	1	1	1	1
17	1100002306	Plug			1	1	1	1	1
18	110002392	Clicker	1	1	1	1	1	1	1
19	110007698	Hose nipple 1/4"-1/4" 60°	1						
20	110009097	Gasket plug			1	1			
21	110003277 (0602033)	Screw kit							
22	110003277 (110003408)	Screw kit							
23	110003277 (320100)	Screw kit							
24	110007098	Injector kit	1	1					
25	110004434	Chemical non return valve	1	1					
26	110005747	Plug for gasket and sealing	1	1					
27	110005831 (0635040)	O-ring kit							
28	110005831 (110008303)	O-ring kit							
29	110005831 (641101)	O-ring kit							
30	110005831 (641101)	O-ring kit							
31	110005831 (110002954)	O-ring kit							
32	110005831 (110005676)	O-ring kit							
33	110005831 (110004871)	O-ring kit							
34	110005831 (110005656)	O-ring kit							
35	110005831 (110002952)	O-ring kit							
36	110005831	O-ring kit							
37	110005831 (110007371)	O-ring kit							
38	110005831 (063502)	O-ring kit							
39	110005831 (0600078)	O-ring kit							
40	110005831 (110002785)	O-ring kit							
41	110005831 (110004887)	O-ring kit							
42	110005831 (110004848)	O-ring kit							
43	110005831	O-ring kit							

# SUPD Hose identification

Serial no.: → 169.01.000XXX

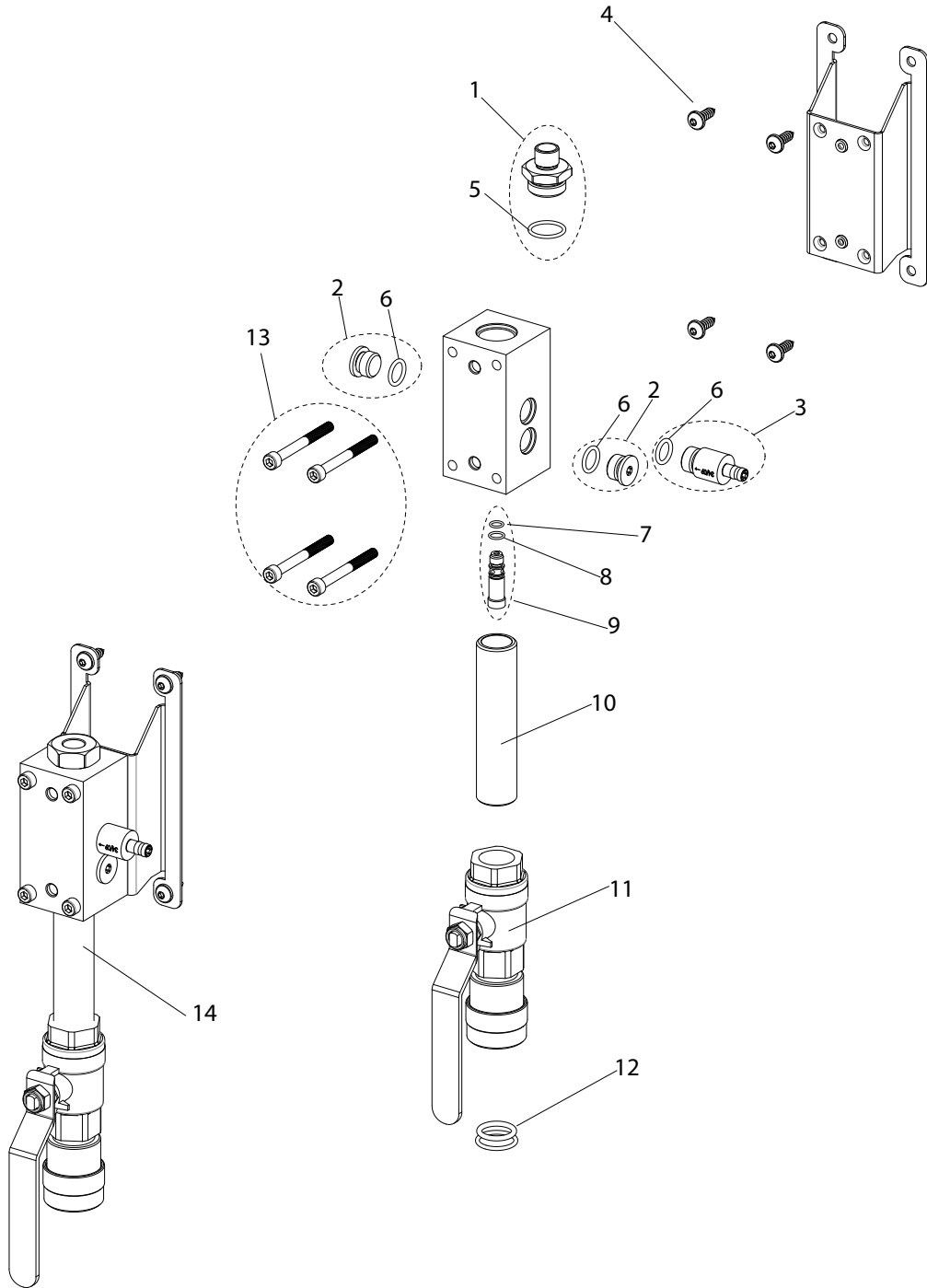


110009080

Pos./Ref.	Nr. No.	Description Beschreibung Désignation Designación	SU21-PD22	SU11-PD22	SUPD21	SUPD22	SUPD32	SUPD33	SUPD22DW
1	110009112	5 way valve SU21-PD22 complete braided hose 60° Seat	1						
2	110009113	5 way valve SU11-PD22 complete braided hose 60° Seat		1					
3	110009117	5 way valve SUPD21 complete braided hose 60° Seat			1				
4	110009114	5 way valve SUPD22 complete braided hose 60° Seat				1			
5	110009115	5 way valve SUPD32 complete braided hose 60° Seat					1		
6	110009118	5 way valve SUPD33 complete braided hose 60° Seat						1	
7	110009116	5 way valve SUPD22DW complete braided hose 60° Seat							1

# Local Block

Serial no.: →111.01.000XXX



Pos./Ref.	Nr. No.	Description Beschreibung Désignation Designación	SU21-PD22	SU11-PD22	SUPD21	SUPD22	SUPD32	SUPD33	SUPD22DW
1	110007873	Nippel socket complete 60° Seat	1						
2	110002306	Plug incl. o-ring	2						
3	110001102	Chemical non-return valve	1						
4	110003277 (0602092)	Screw kit							
5	110005831 (110002955)	O-ring kit							
6	110005831 (110002952)	O-ring kit							
7	110005831 (110004887)	O-ring kit							
8	110005831 (110004888)	O-ring kit							
9	110004071	Injector kit	1						
10	110003567	Pipe	1						
11	110003682	Outlet coupling	1						
12	110005831 (641100)	O-ring kit							
13	110003277 (0602028)	Screw kit							
14	110007869	Local block complete	1						

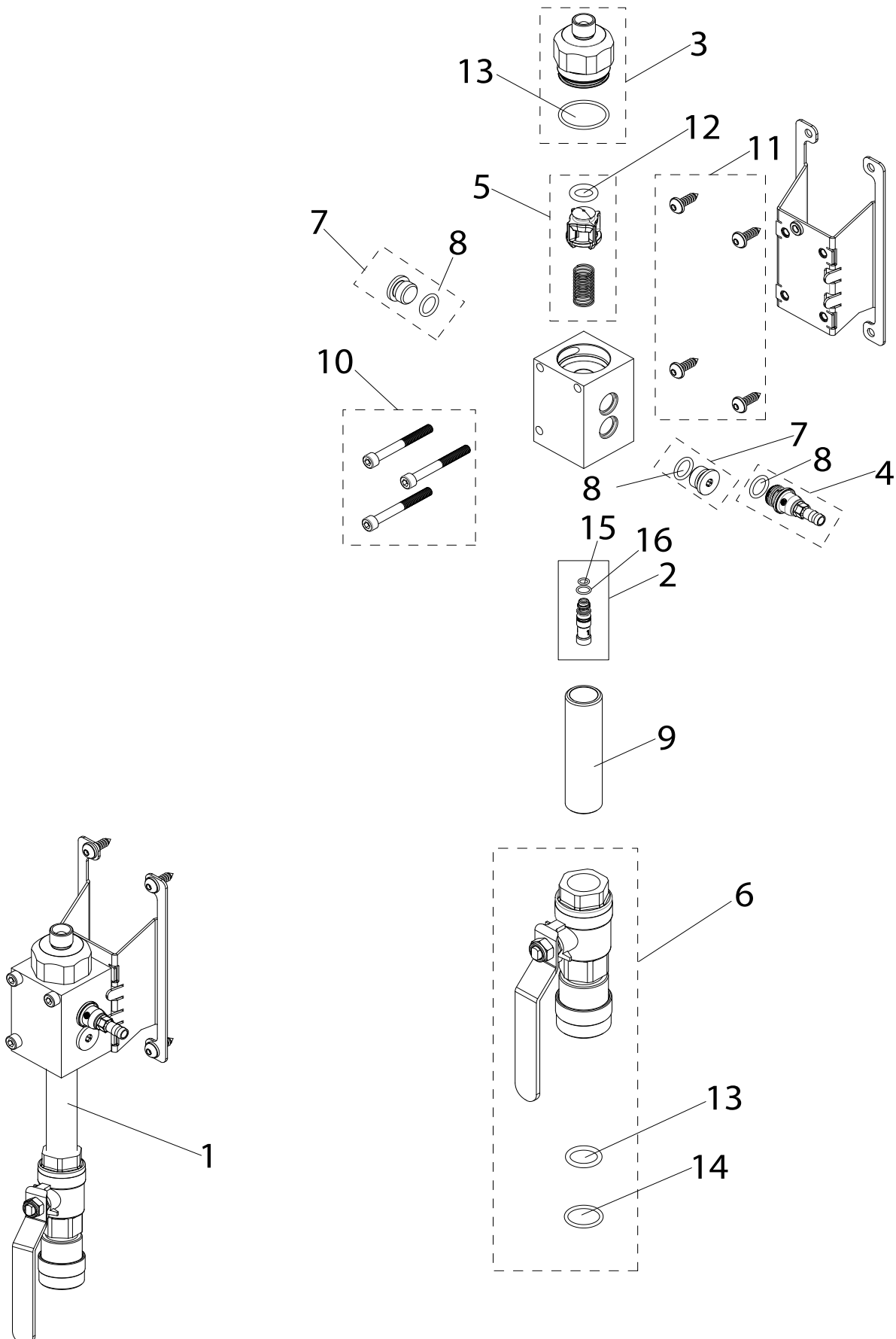
English (EN)

Deutsch (DE)

Français (FR)

Español (ES)

# Detergent



110008994

Pos./Ref.	Nr. No.	Description Beschreibung Désignation Designación	SU21-PD22	SU11-PD22	SUPD21	SUPD22	SUPD32	SUPD33	SUPD22DW
1	110008993	Local block complete	1						
2	110007098	Injector kit	1						
3	110009099	Inlet connection kit	1						
4	110004434	Chemical non return valve	1						
5	110008772	Water non return valve							
6	110005460	Outlet	1						
7	110002306	Plug	2						
8	110003276 (110002952)	O-ring kit							
9	110003567	Pipe	1						
10	110003277 (110002508)	Screw kit							
11	110003277 (0602028)	Screw kit							
12	110003276 (110008303)	O-ring kit							
13	110003276 (0635040)	O-ring kit							
14	110003276 (641102)	O-ring kit							
15	110003276 (110004888)	O-ring kit							
16	110003276 (110004887)	O-ring kit							

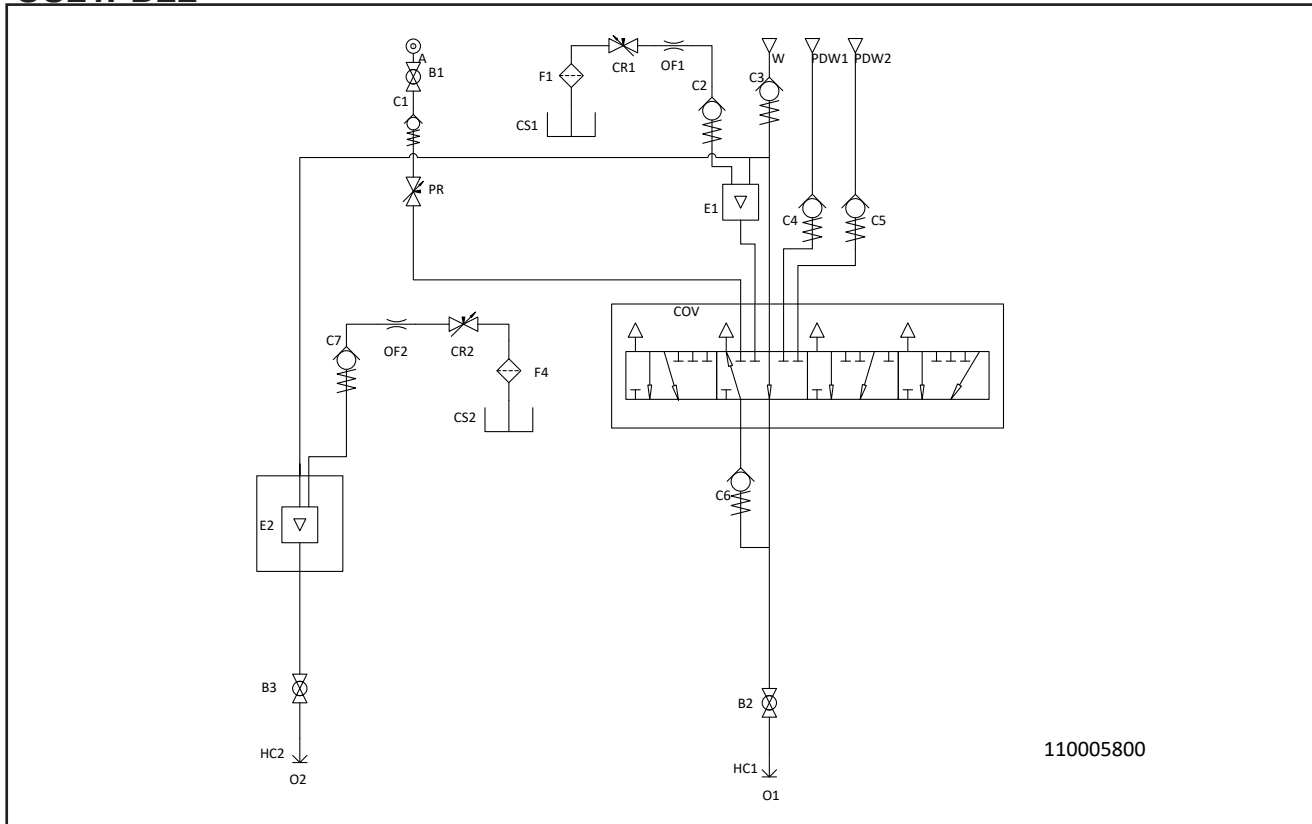
English (EN)

Deutsch (DE)

Français (FR)

Español (ES)

## Operating diagrams SU21PD22

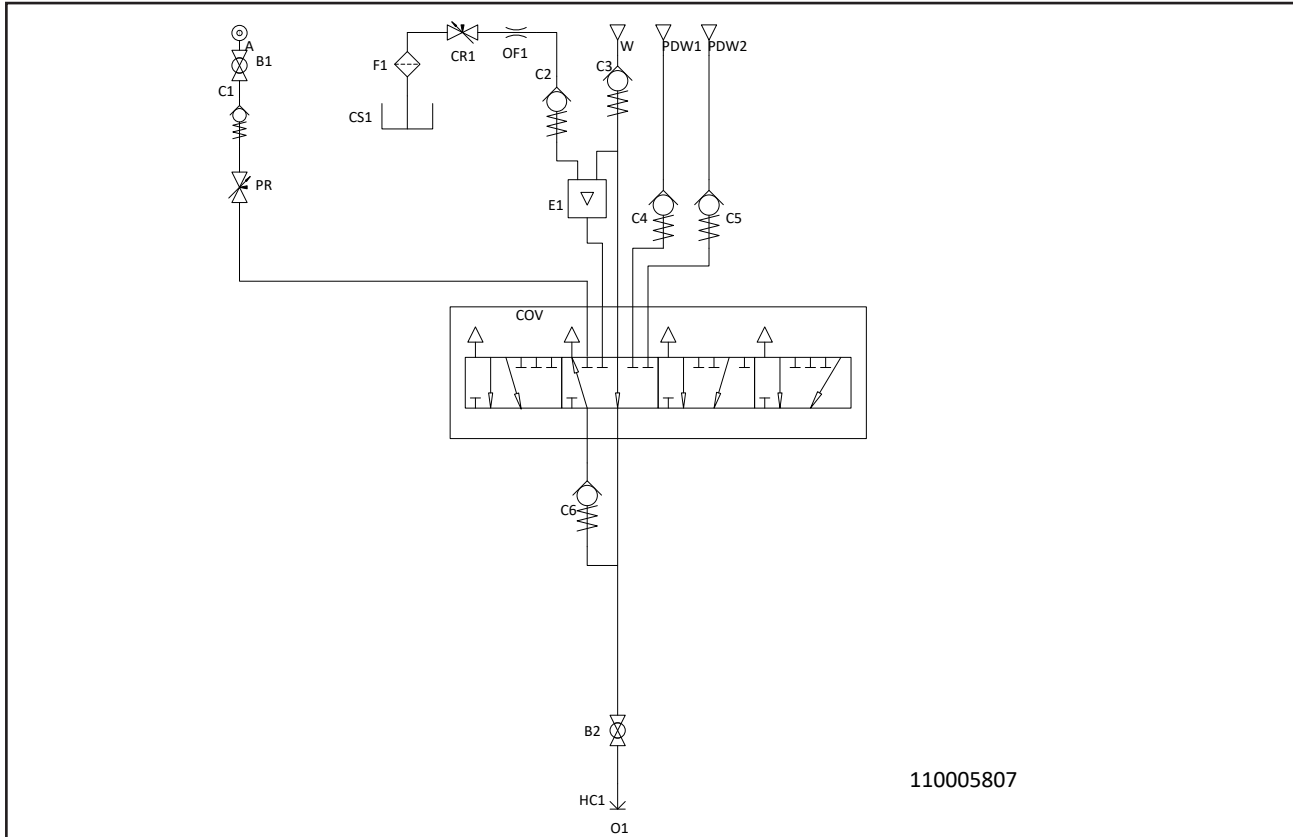


110005800

	English	Deutsch	Français	Español
A	Air supply	Lufteingang	Alimentation air	Suministro de aire
B	Ball valve	Kugelventil	Clapet à bille	Válvula esférica
C	Check valve	Rückschlagventil	Soupape de non retour	Válvula de retención
COV	Change over valve	Umschaltventil	Robinet coupleur	Válvula de conmutación
CS	Chemical supply	Chemische Versorgung	Fourniture de produits chimiques	Toma de suministro de productor químicos
E	Ejector	Ausstoß	Ejecteur	Eyector
F	Filter	Filter	Filtre	Filtro
HC	Hose connection	Schlangenverbindung	Connexion flexible	Conexión de tubo flexible
O	Outlet	Ausgang	Sortie	Salida
OF	Orifice	Blende	Orifice	Orificio
PR	Pressure regulator	Druckregler	Régulateur de pression	Régulador de presión
W	Water inlet	Wassereinlassrohr	Admission d'eau	Toma de agua
PDW	Prediluted water	Eintritt für vorverdünntes Wasser	Entrée d'eau pré deluée	Entrada de agua prediluida

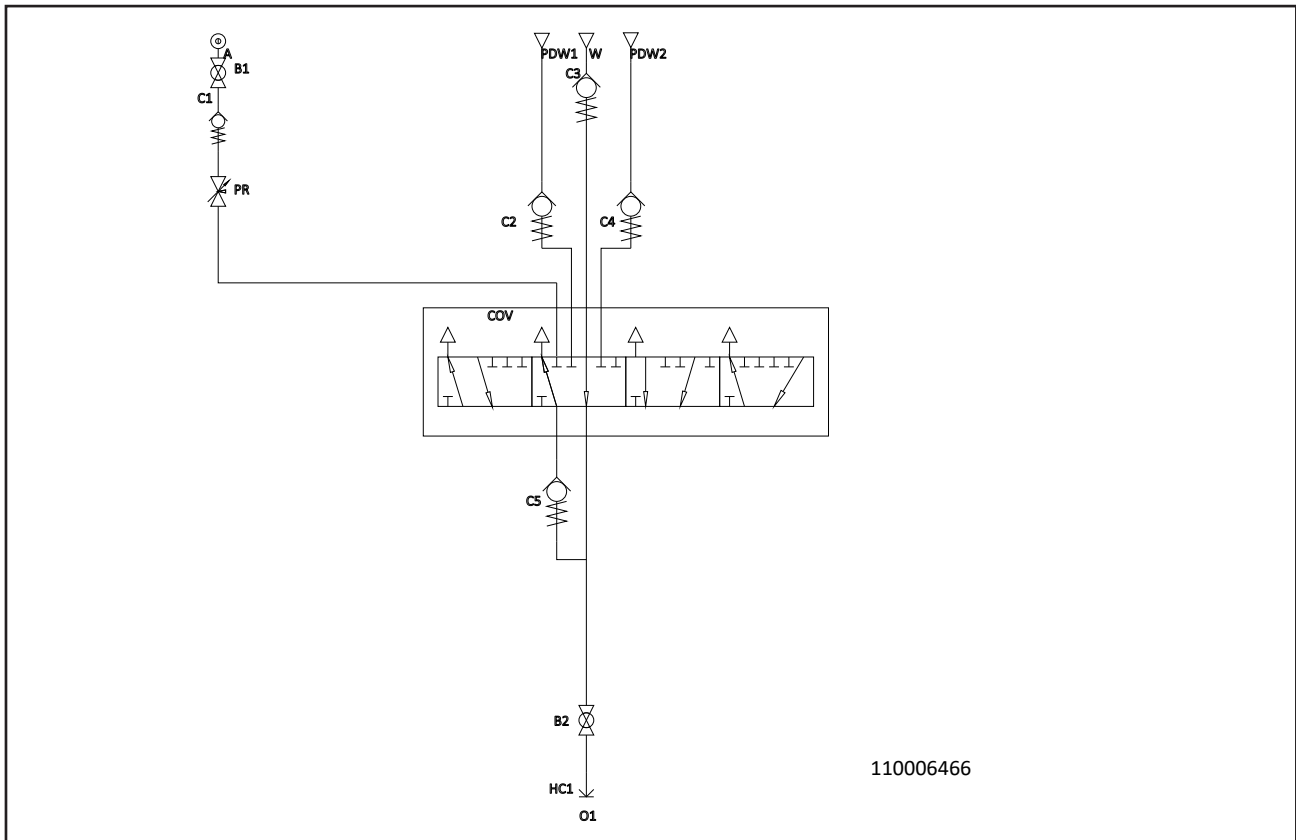


# SU11PD22



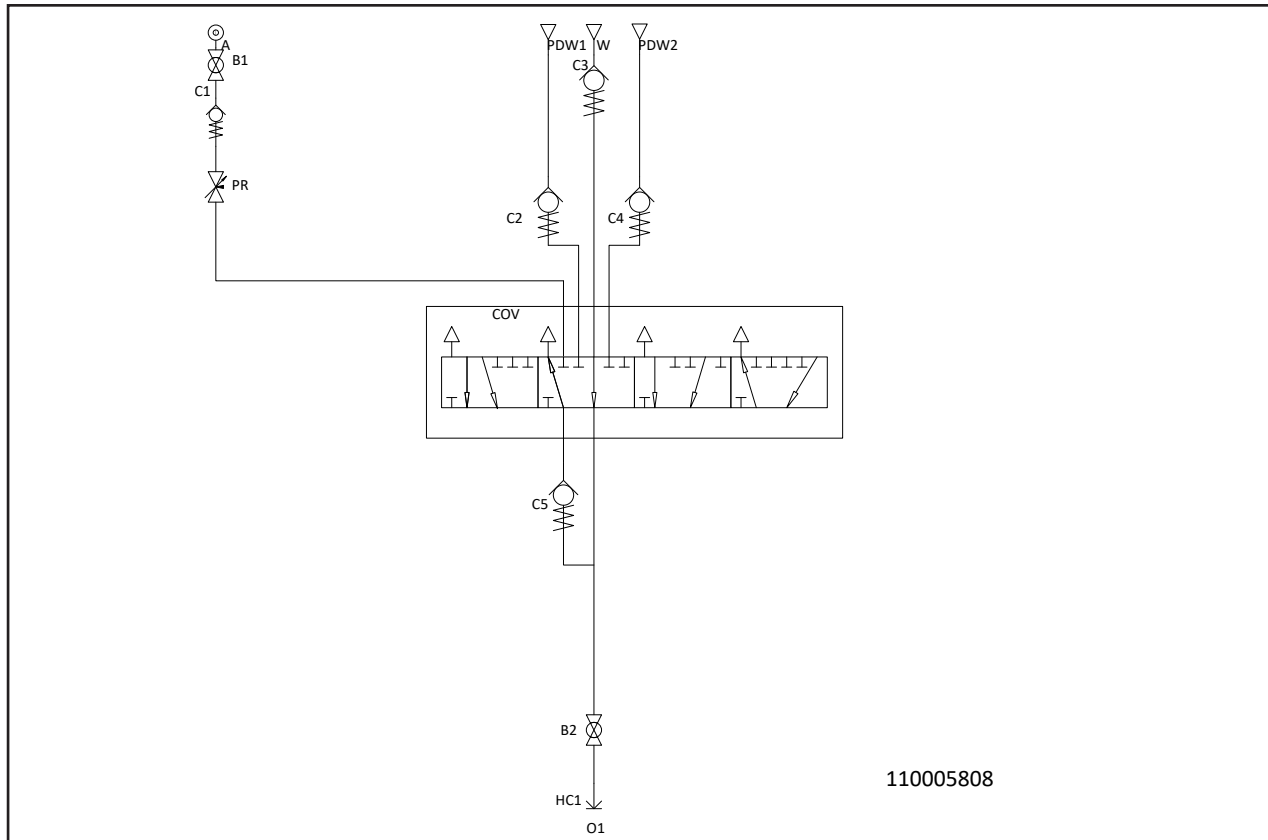
	English	Deutsch	Français	Español
A	Air supply	Lufteingang	Alimentation air	Suministro de aire
B	Ball valve	Kugelventil	Clapet à bille	Válvula esférica
C	Check valve	Rückschlagventil	Soupape de non retour	Válvula de retención
COV	Change over valve	Umschaltventil	Robinet coupleur	Válvula de conmutación
CS	Chemical supply	Chemische Versorgung	Fourniture de produits chimiques	Toma de suministro de productor químicos
E	Ejector	Ausstoß	Ejecteur	Eyector
F	Filter	Filter	Filtre	Filtro
HC	Hose connection	Schlangenverbindung	Connexion flexible	Conexión de tubo flexible
O	Outlet	Ausgang	Sortie	Salida
OF	Orifice	Blende	Orifice	Orificio
PR	Pressure regulator	Druckregler	Régulateur de pression	Régulador de presión
W	Water inlet	Wassereinlassrohr	Admission d'eau	Toma de agua
PDW	Prediluted water	Eintritt für vorverdünntes Wasser	Entrée d'eau pré deluée	Entrada de agua prediluida

## SUPD21



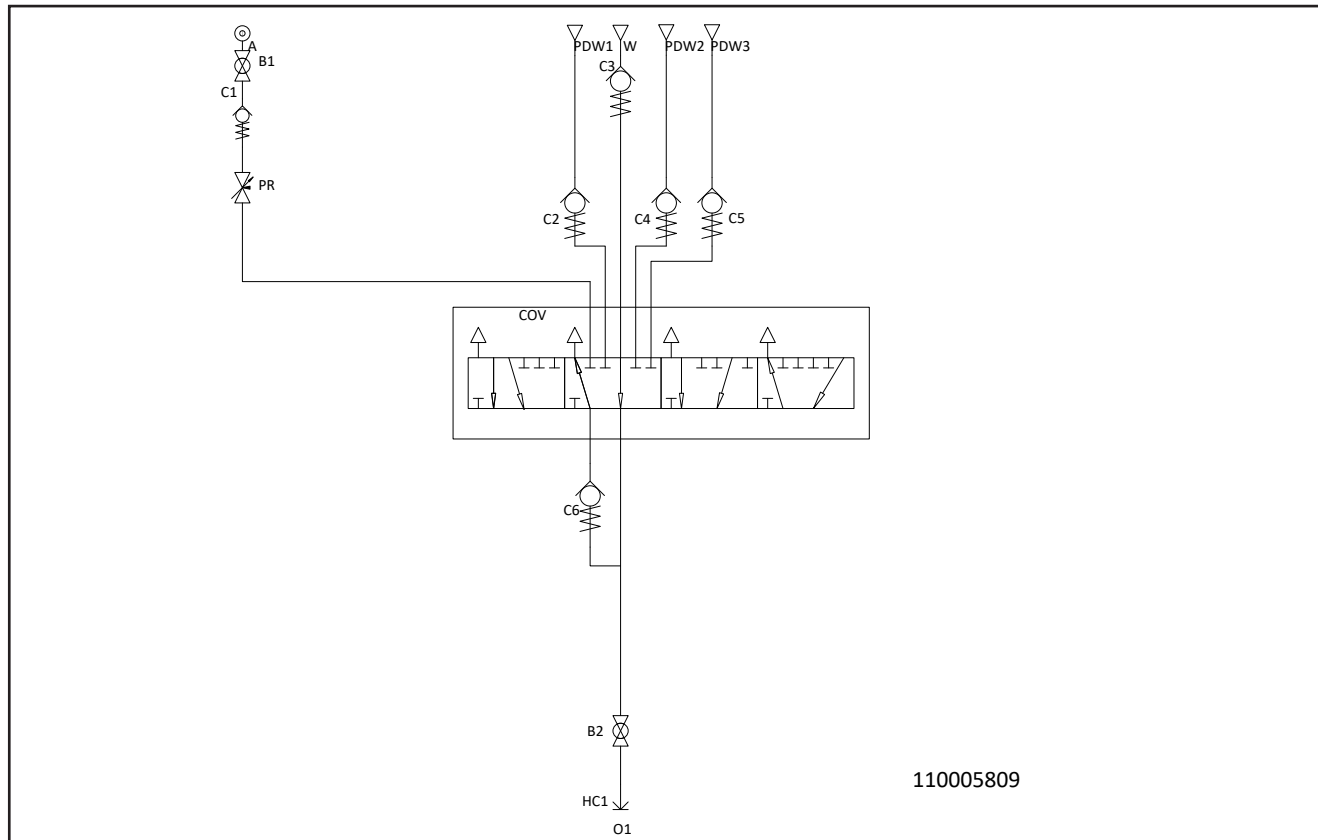
	English	Deutsch	Français	Español
A	Air supply	Lufteingang	Alimentation air	Suministro de aire
B	Ball valve	Kugelventil	Clapet à bille	Válvula esférica
C	Check valve	Rückschlagventil	Soupape de non retour	Válvula de retención
COV	Change over valve	Umschaltventil	Robinet coupleur	Válvula de conmutación
CS	Chemical supply	Chemische Versorgung	Fourniture de produits chimiques	Toma de suministro de productor químicos
E	Ejector	Ausstoß	Ejecteur	Eyector
F	Filter	Filter	Filtre	Filtro
HC	Hose connection	Schlangenverbindung	Connexion flexible	Conexión de tubo flexible
O	Outlet	Ausgang	Sortie	Salida
OF	Orifice	Blende	Orifice	Orificio
PR	Pressure regulator	Druckregler	Régulateur de pression	Régulador de presión
W	Water inlet	Wassereinlassrohr	Admission d'eau	Toma de agua
PDW	Prediluted water	Eintritt für vorverdünntes Wasser	Entrée d'eau pré deluée	Entrada de agua prediluida

# SUPD22



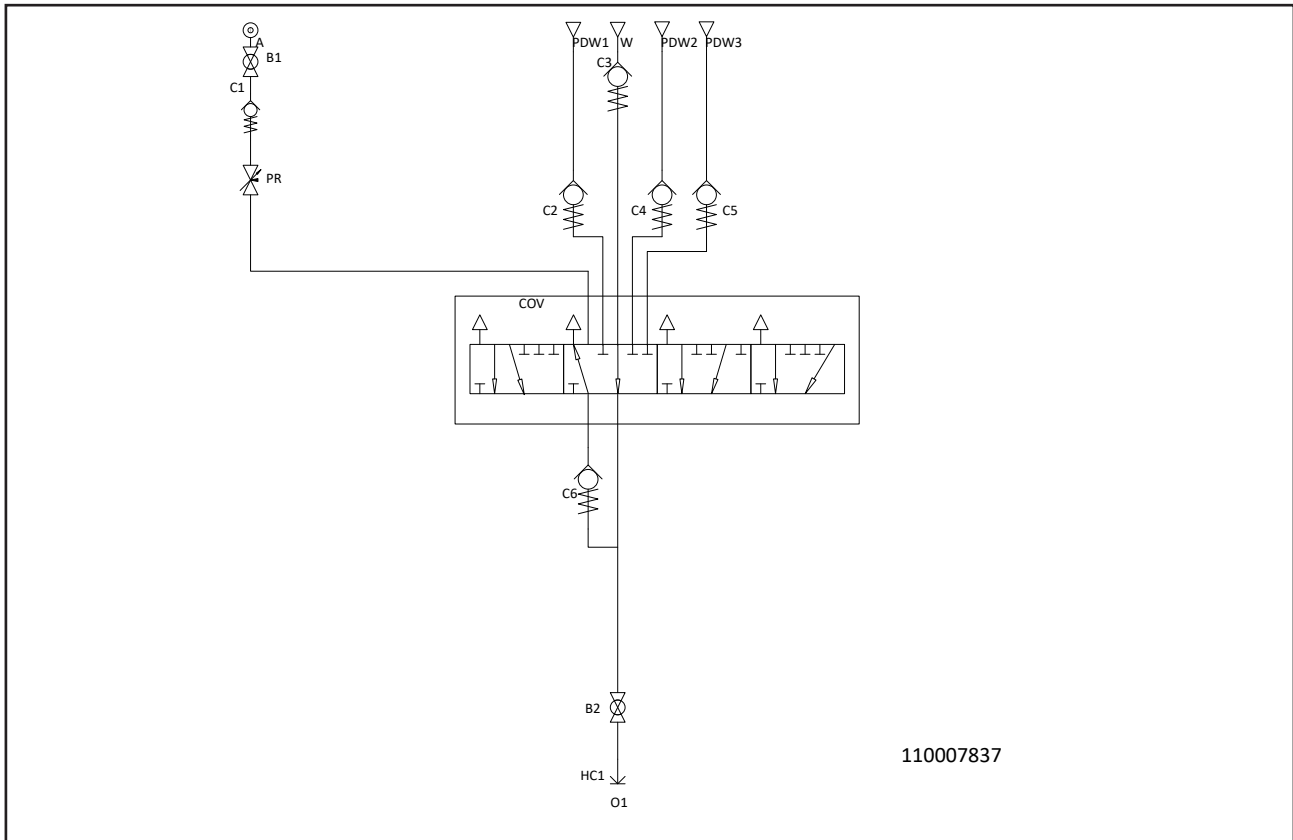
	English	Deutsch	Français	Español
A	Air supply	Lufteingang	Alimentation air	Suministro de aire
B	Ball valve	Kugelventil	Clapet à bille	Válvula esférica
C	Check valve	Rückschlagventil	Soupape de non retour	Válvula de retención
COV	Change over valve	Umschaltventil	Robinet coupleur	Válvula de conmutación
CS	Chemical supply	Chemische Versorgung	Fourniture de produits chimiques	Toma de suministro de productor químicos
E	Ejector	Ausstoß	Ejecteur	Eyector
F	Filter	Filter	Filtre	Filtro
HC	Hose connection	Schlangenverbindung	Connexion flexible	Conexión de tubo flexible
O	Outlet	Ausgang	Sortie	Salida
OF	Orifice	Blende	Orifice	Orificio
PR	Pressure regulator	Druckregler	Régulateur de pression	Régulador de presión
W	Water inlet	Wassereinlassrohr	Admission d'eau	Toma de agua
PDW	Prediluted water	Eintritt für vorverdünntes Wasser	Entrée d'eau pré deluée	Entrada de agua prediluida

## SUPD32



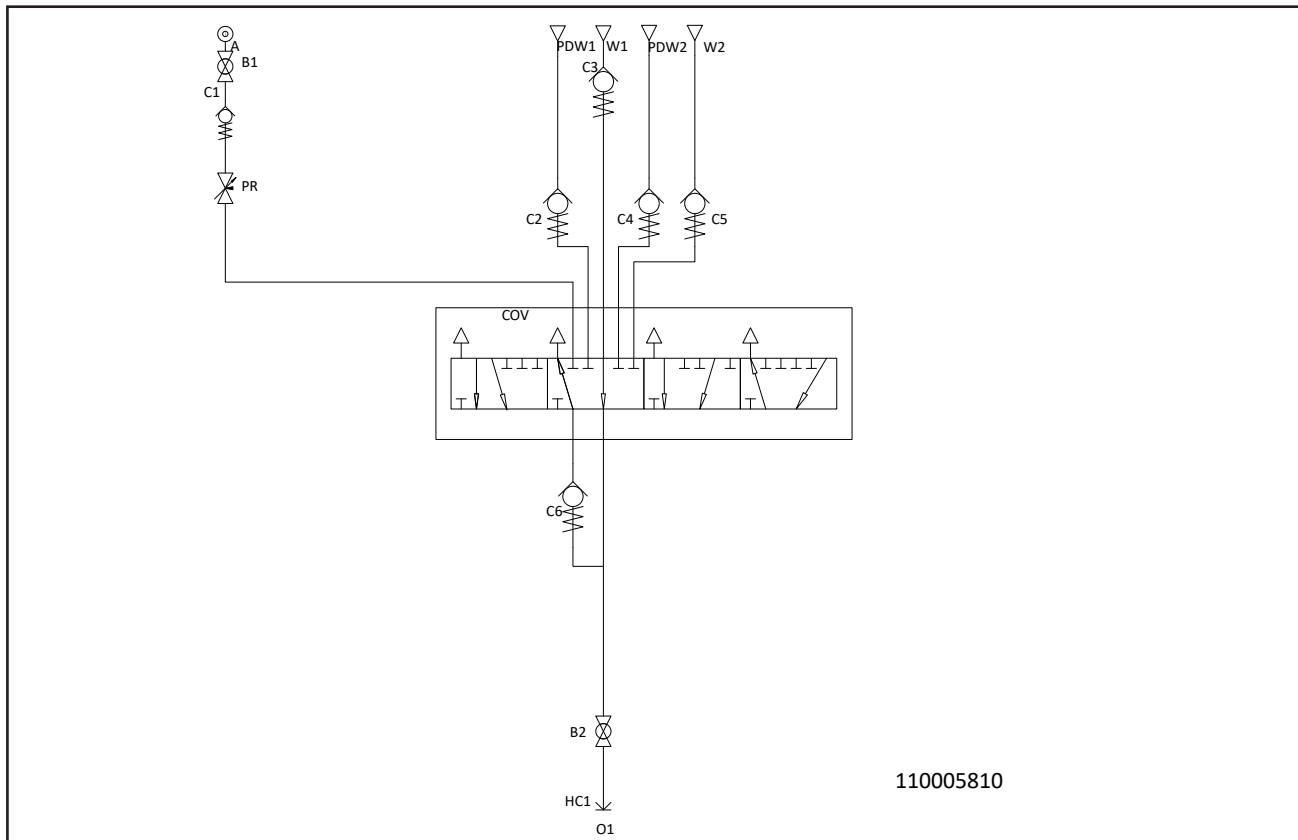
	English	Deutsch	Français	Español
A	Air supply	Lufteingang	Alimentation air	Suministro de aire
B	Ball valve	Kugelventil	Clapet à bille	Válvula esférica
C	Check valve	Rückschlagventil	Soupape de non retour	Válvula de retención
COV	Change over valve	Umschaltventil	Robinet coupleur	Válvula de conmutación
CS	Chemical supply	Chemische Versorgung	Fourniture de produits chimiques	Toma de suministro de productor químicos
E	Ejector	Ausstoß	Ejecteur	Eyector
F	Filter	Filter	Filtre	Filtro
HC	Hose connection	Schlangenverbindung	Connexion flexible	Conexión de tubo flexible
O	Outlet	Ausgang	Sortie	Salida
OF	Orifice	Blende	Orifice	Orificio
PR	Pressure regulator	Druckregler	Régulateur de pression	Régulador de presión
W	Water inlet	Wassereinlassrohr	Admission d'eau	Toma de agua
PDW	Prediluted water	Eintritt für vorverdünntes Wasser	Entrée d'eau pré deluée	Entrada de agua prediluida

# SUPD33



	English	Deutsch	Français	Español
A	Air supply	Lufteingang	Alimentation air	Suministro de aire
B	Ball valve	Kugelventil	Clapet à bille	Válvula esférica
C	Check valve	Rückschlagventil	Soupape de non retour	Válvula de retención
COV	Change over valve	Umschaltventil	Robinet coupleur	Válvula de conmutación
CS	Chemical supply	Chemische Versorgung	Fourniture de produits chimiques	Toma de suministro de productor químicos
E	Ejector	Ausstoß	Ejecteur	Eyector
F	Filter	Filter	Filtre	Filtro
HC	Hose connection	Schlangenverbindung	Connexion flexible	Conexión de tubo flexible
O	Outlet	Ausgang	Sortie	Salida
OF	Orifice	Blende	Orifice	Orificio
PR	Pressure regulator	Druckregler	Régulateur de pression	Régulador de presión
W	Water inlet	Wassereinlassrohr	Admission d'eau	Toma de agua
PDW	Prediluted water	Eintritt für vorverdünntes Wasser	Entreé d'eau pré deluée	Entrada de agua prediluida

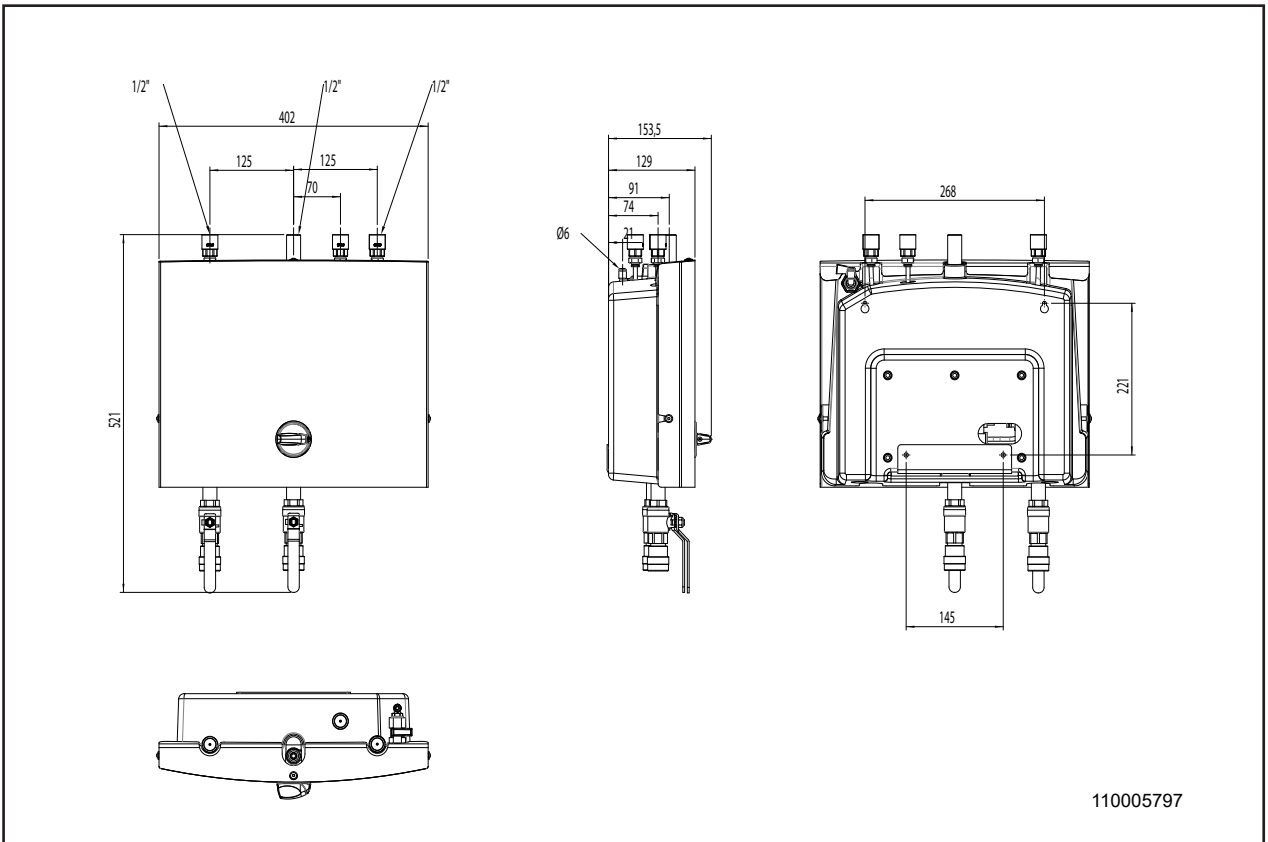
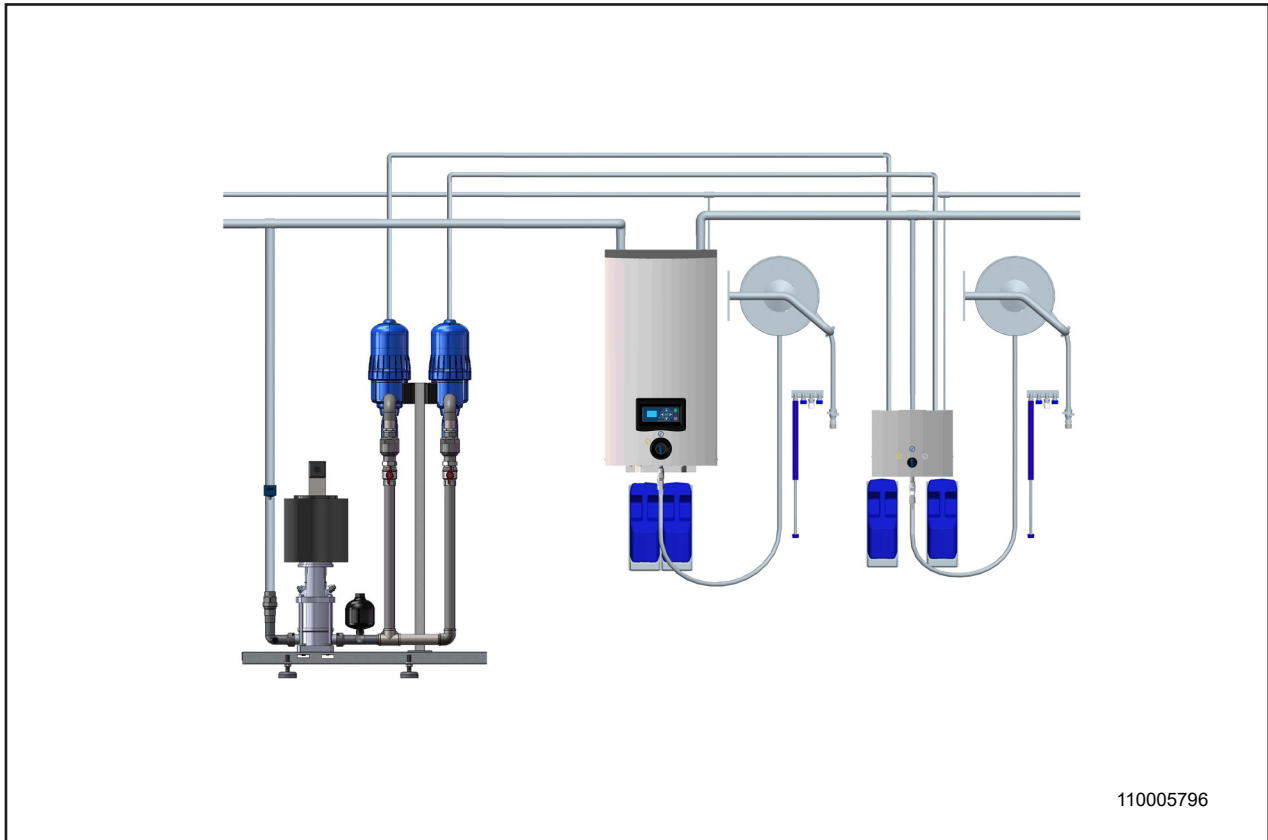
## SU11PD22



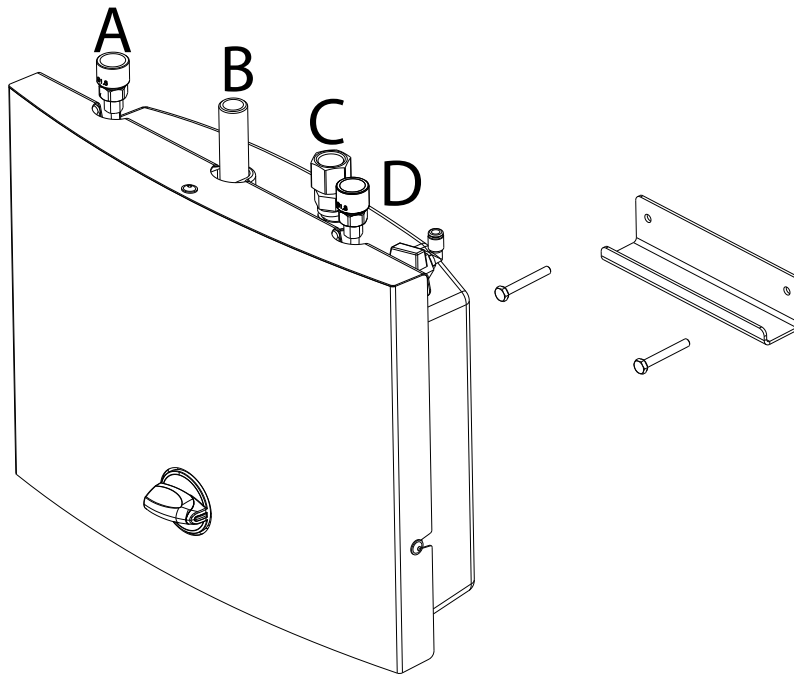
110005810

	English	Deutsch	Français	Español
A	Air supply	Lufteingang	Alimentation air	Suministro de aire
B	Ball valve	Kugelventil	Clapet à bille	Válvula esférica
C	Check valve	Rückschlagventil	Soupape de non retour	Válvula de retención
COV	Change over valve	Umschaltventil	Robinet coupleur	Válvula de conmutación
CS	Chemical supply	Chemische Versorgung	Fourniture de produits chimiques	Toma de suministro de productor químicos
E	Ejector	Ausstoß	Ejecteur	Eyector
F	Filter	Filter	Filtre	Filtro
HC	Hose connection	Schlangenverbindung	Connexion flexible	Conexión de tubo flexible
O	Outlet	Ausgang	Sortie	Salida
OF	Orifice	Blende	Orifice	Orificio
PR	Pressure regulator	Druckregler	Régulateur de pression	Régulador de presión
W	Water inlet	Wassereinlassrohr	Admission d'eau	Toma de agua
PDW	Prediluted water	Eintritt für vorverdünntes Wasser	Entrée d'eau pré deluée	Entrada de agua prediluida

# Installation



## Mounting



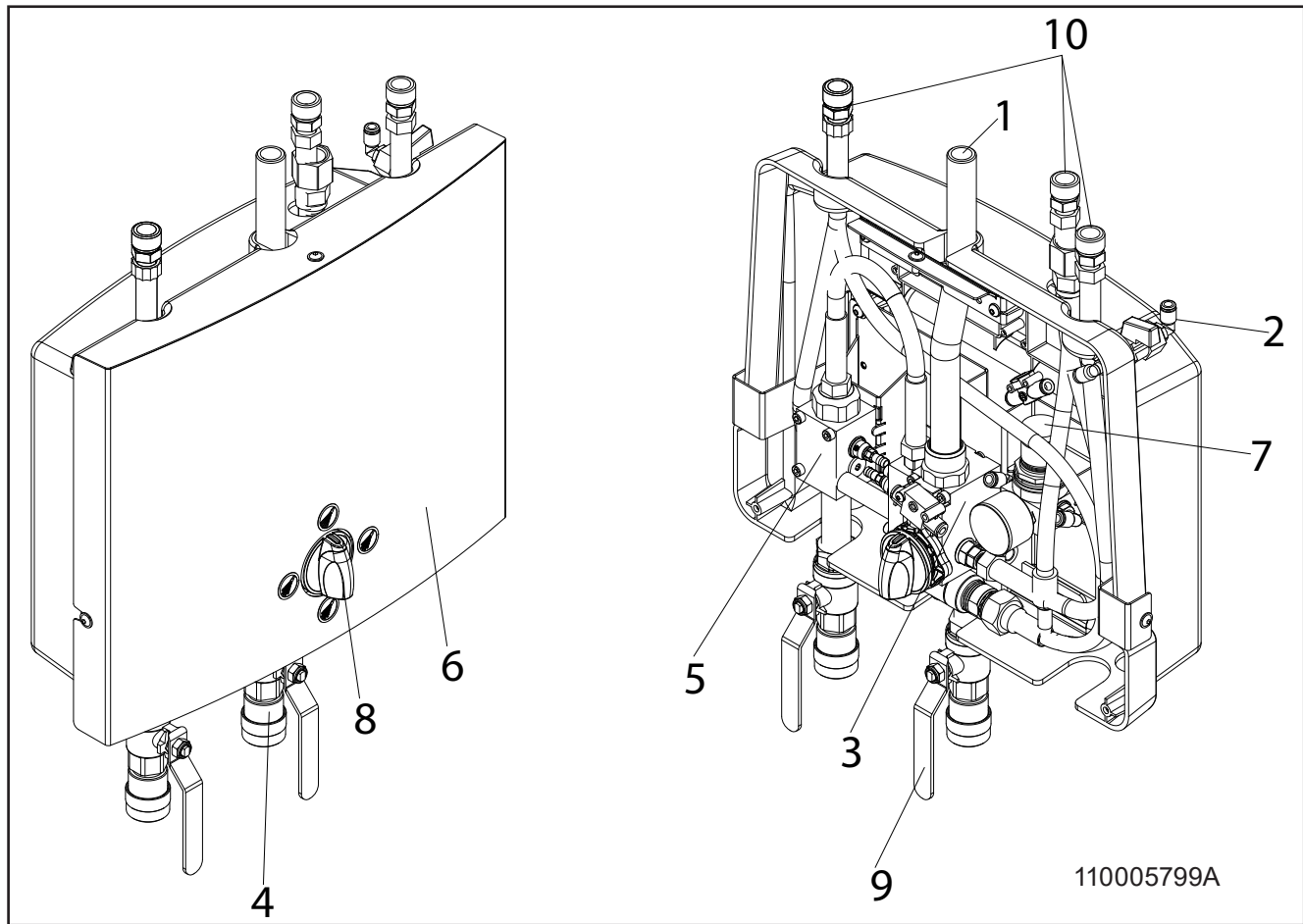
110005798B

	A	B	C	D
SU11PD22				
SU21PD22				
SUPD21				
SUPD22				
SUPD32				
SUPD33				
SUPD22DW				



# Layout Hybrid SUPD

## Hybrid Penta



	English	Deutsch	Français	Español
1	Water inlet	Wassereintritt	Entrée d'eau	Entrada de agua
2	Inlet air	Ansaugluft	Entrée d'air	Entrada de aire
3	5 way valve	5 Wegeventil	Soupape à 5 voies	Válvula de 5 vias
4	Quick coupling with check tap	Schnellkupplung mit Kontrollöffnung	Raccord rapide avec robinet de contrôle	Acoplamiento rápido con regulador de retención
5	3. Injector	3.inspritzer	3. injecteur	3.Injector
6	Cover	Abdeckung	Couvercle	Cubierta
7	Air inlet with manometer	Luft Eintritt mit Manometer	Entrée d'air avec manomètre	Entrada de aire con manómetro
8	Operation button	Betriebstaste	Bouton de commande	Botón de funcionamiento
9	Water outlet	Wasserablass	Sortie d'eau	Salida de agua
10	Inlet prediluted	Eintritt vorgelöst	Entrée prédilué	Entrada prediluido

