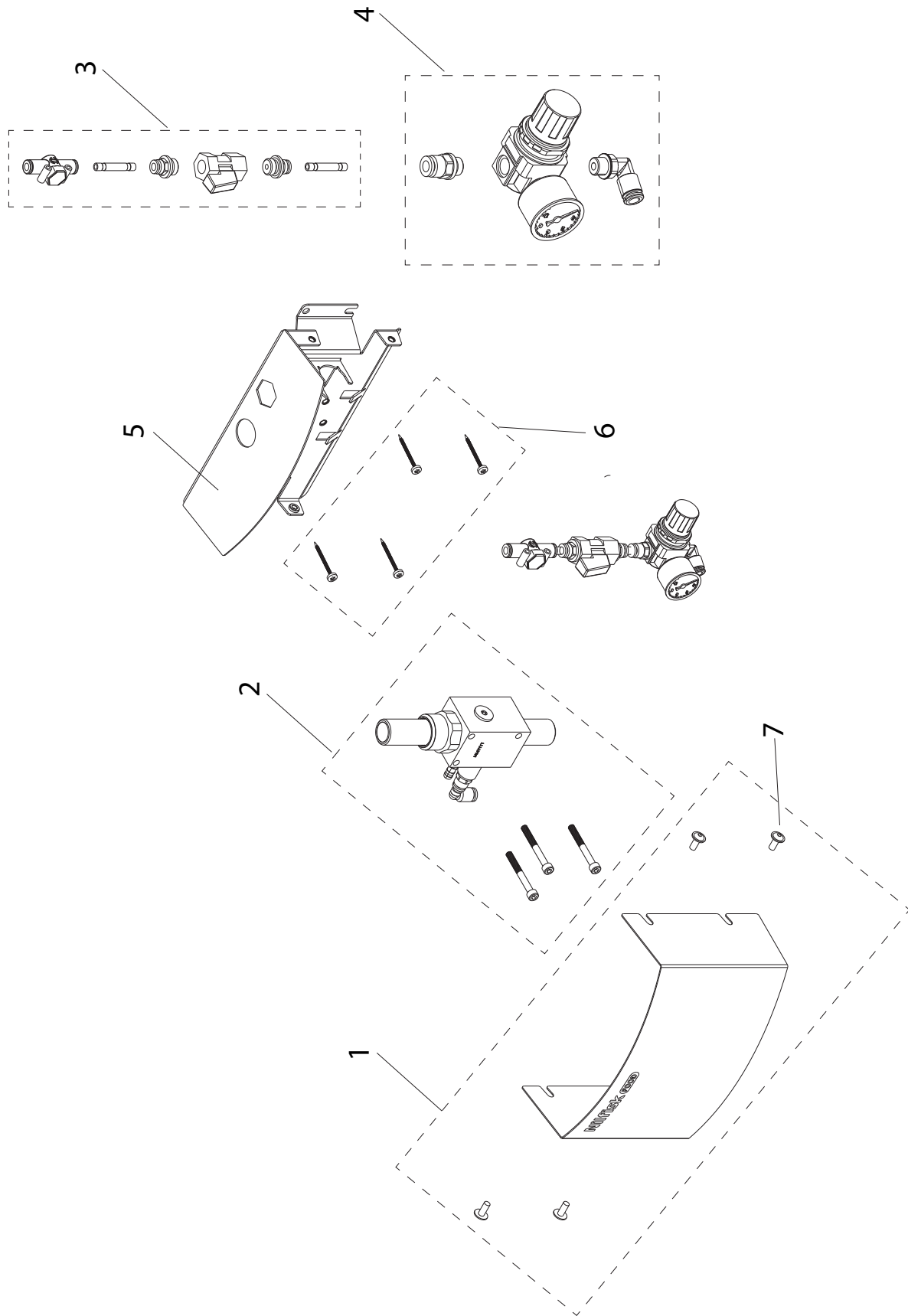


Spare part List
Ersatzteile
Pièces de rechange
Piezas de requesto

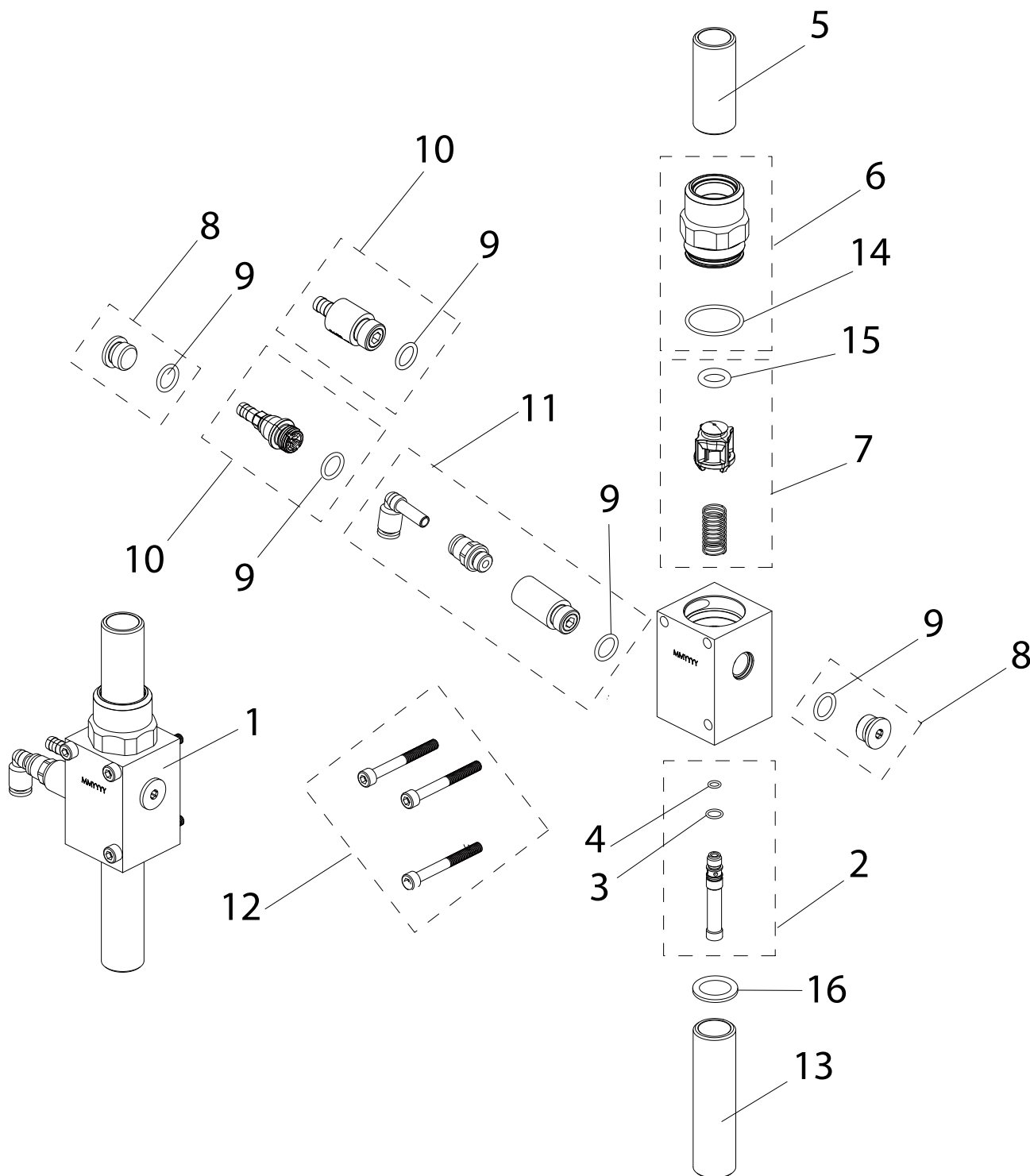
HYBRID YETI TW, HP, PD



110007614B

Pos./Ref. Nr. No.	Description Beschreibung Désignation Designación	TW	HP	PD
1	110007116 Cover complete	1	1	1
2	See page 78, block complete			
3	110007099 Air complete	1	1	1
4	110007100 Air regulator, complete	1	1	1
5	110008603 Back plate	1	1	1
6	0607929 Screw kit			
7	110007097 (110000847) Screw kit			

HYBRID YETI (block complete)



110008740D

Pos./Ref.	Nr. No.	Description Beschreibung Désignation Designación	TW	HP	PD
1	110007677	Block complete TW	1		
1	110007678	Block complete HP		1	
1	110007679	Block complete PD			1
2	110007686	Injector kit TW	1		
2	110007687	Injector kit HP		1	
2	110007688	Injector kit PD			1
3	110007096 (110004887)	O-ring kit			
4	110007096 (110004888)	O-ring kit			
5	0608106	Pipe	1	1	1
6	110008767	Inlet nipple complete	1	1	1
7	110008772	Water Non return valve complete	1	1	1
8	110002306	Plug incl. o-ring	1	1	2
9	110007096 (110002952)	O-ring kit			
10	110004434	Plast chemical non return valve	1	1	
10	110001102	Steel chemical non return valve		1	
11	110007136	Air non return valve 90° fitting	1	1	1
12	110007097 (11000526)	Screw kit			
13	110005029	Pipe	1	1	1
14	110007096 (0600079)	O-ring kit			
15	110007096 (110008303)	O-ring kit			
16	110007096 (110004076)	O-ring kit			

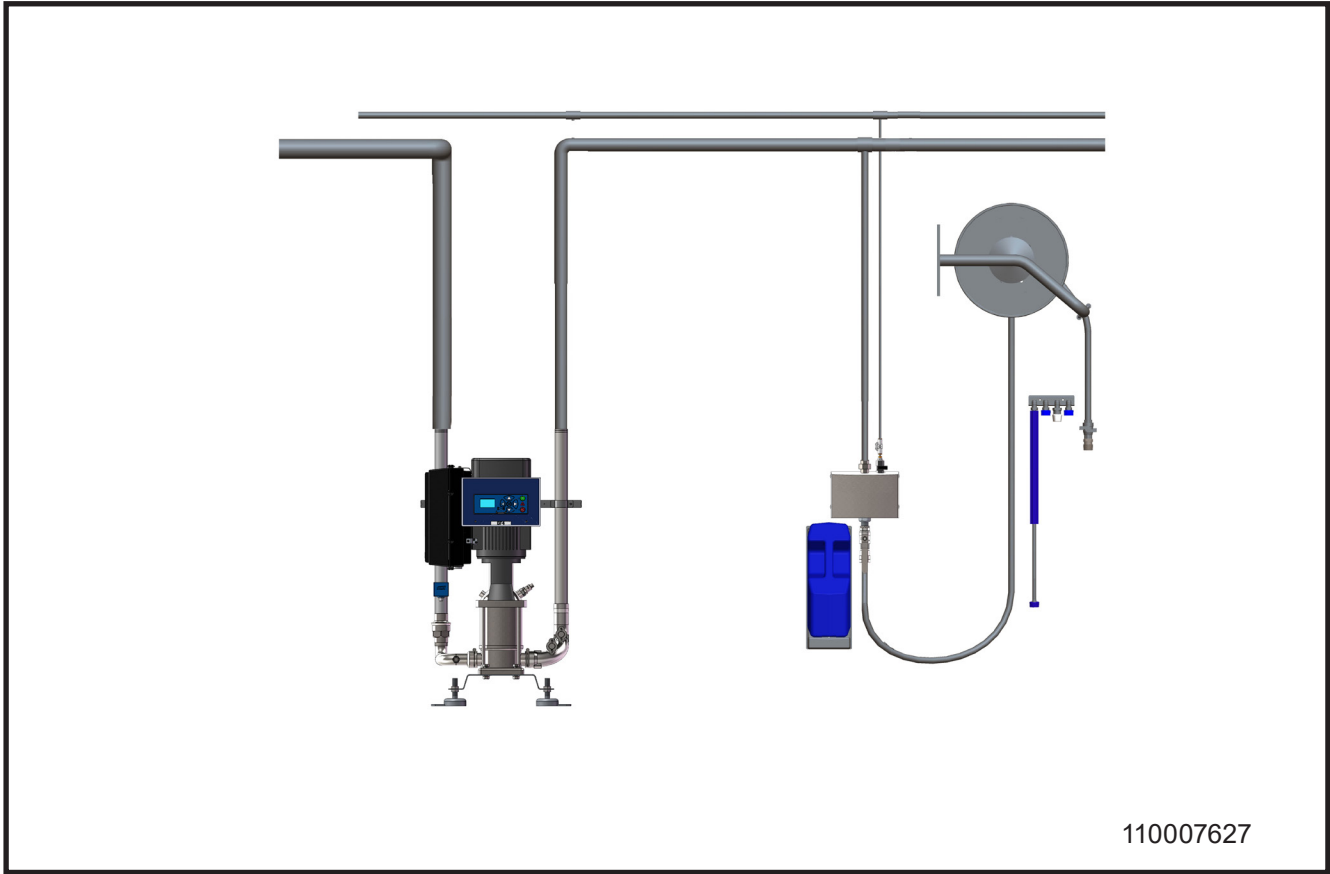
English (EN)

Deutsch (DE)

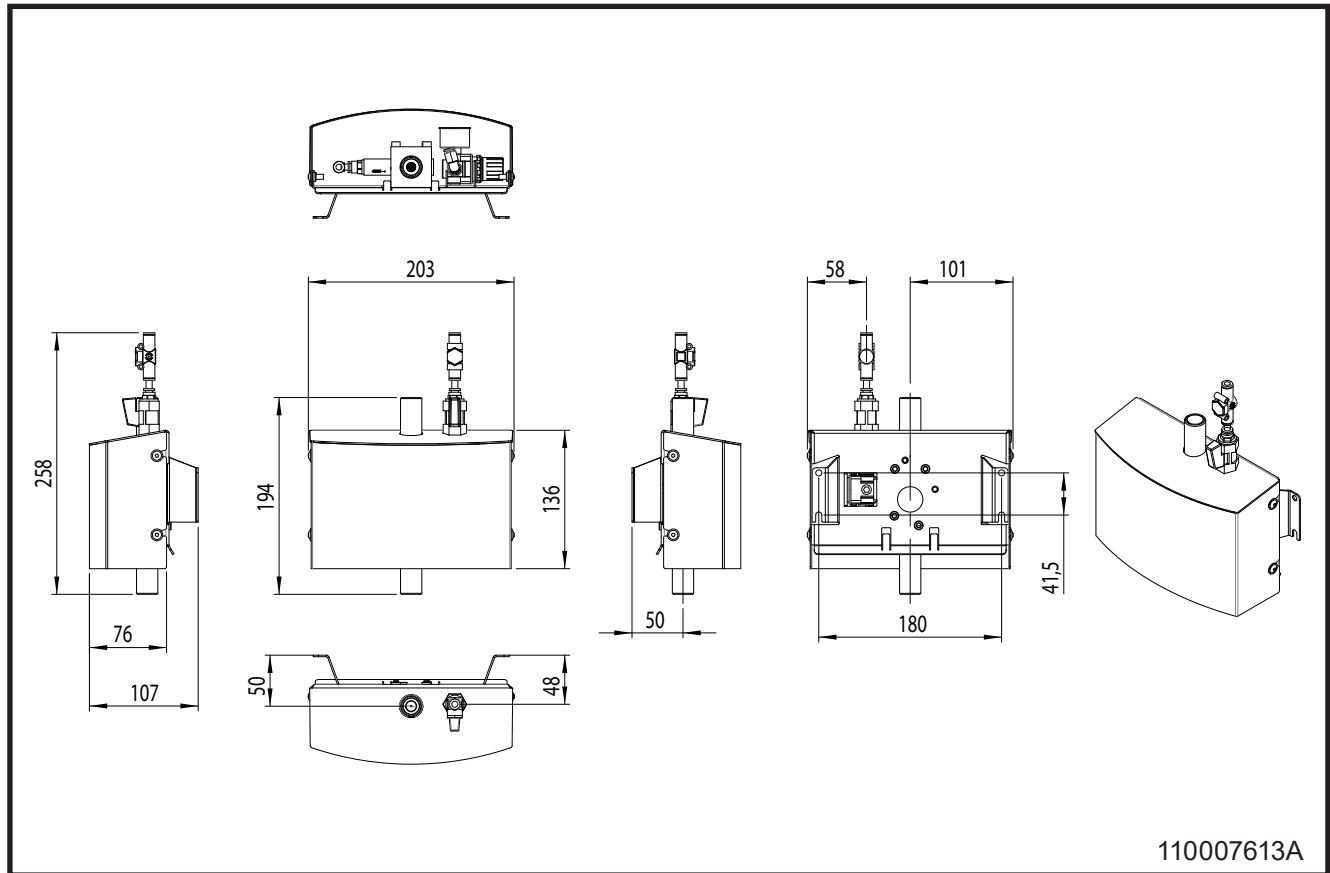
Français (FR)

Español (ES)

Installation

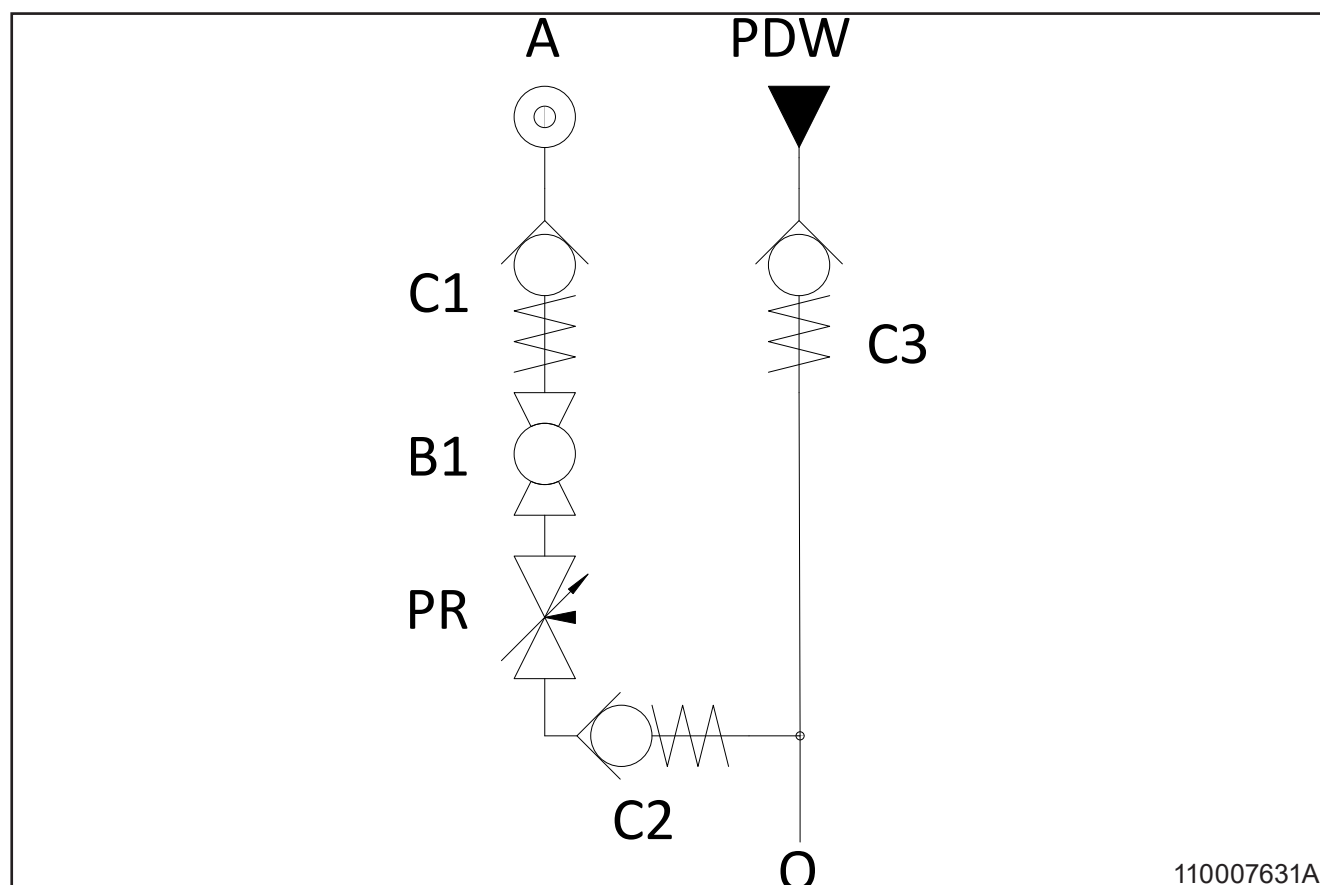


110007627



110007613A

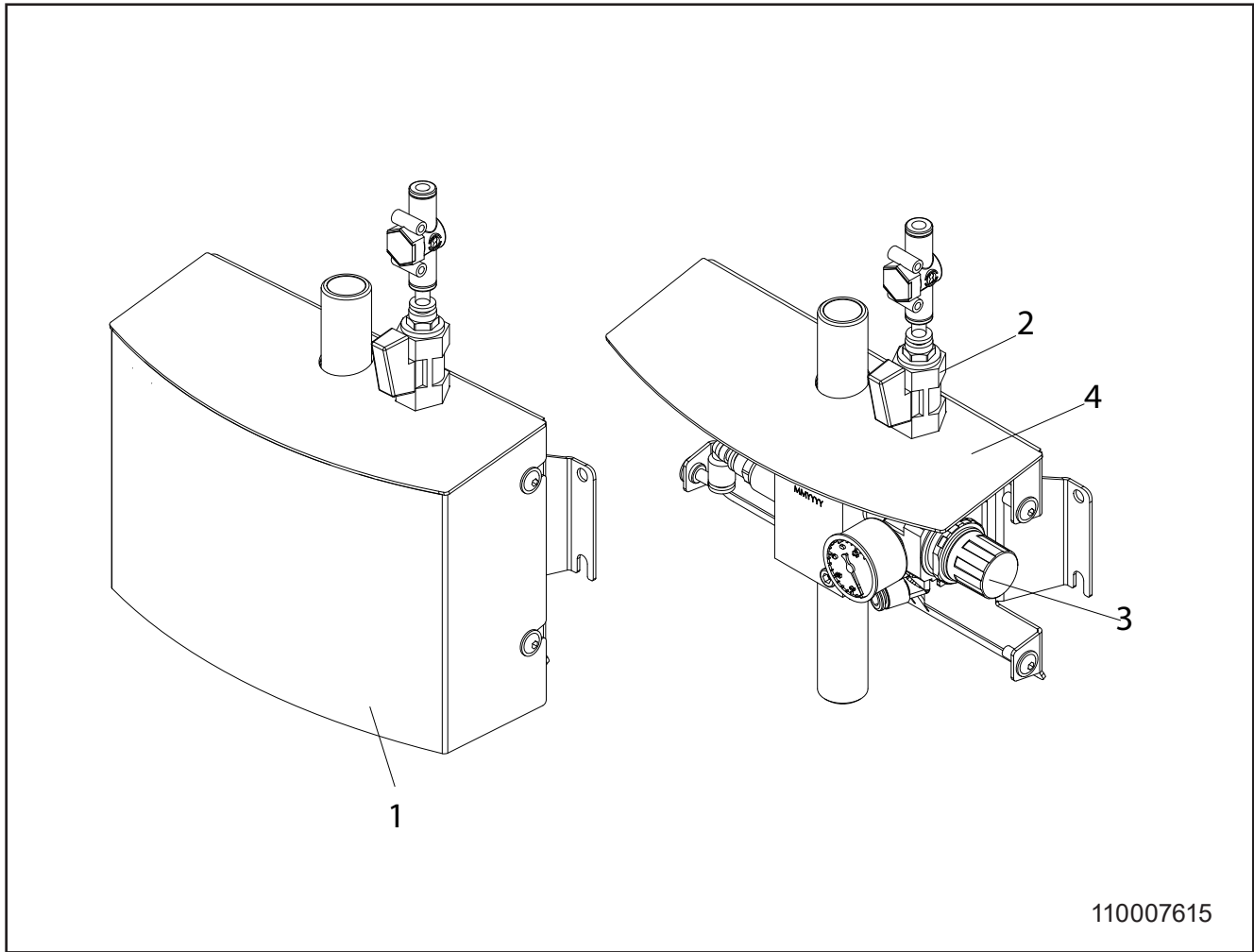
Operating Diagram



	English	Deutsch	Français	Español
A	Air supply	Lufteingang	Alimentation air	Suministro de aire
B	Ball valve	Kugelventil	Clapet à bille	Válvula esférica
C	Check valve	Contraventil	Soupape de non retour	Válvula de retención
COV	Change over valve	Umschaltventil	Robinet coupleur	Válvula de conmutación
D	Outlet	Ausgang	Sortie	Salida
E	Ejector	Ausstoß	Ejecteur	Eyector
HC	Hose connection	Schlauchverbindung	Connexion flexible	Conexión de tubo flexible
OF	Orifice	Blende	Orifice	Orificio
PR	Pressure regulator	Druckregler	Régulateur de pression	Régulador de presión
W	Water inlet	Wassereinlassrohr	Admission d'eau	Toma de agua

Layout Hybrid YETI

Hybrid YETI



	English	Deutsch	Français	Español
1	Cover	Abdeckung	Couvercle	Cubierta
2	Air complete	Luft Komplet	Air achevé	Aire completar
3	Air regulation complete	Luft Regulierung Komplet	Air régulation achevé	Aire regulación completar
4	Back plate	Hinter platte	Panneau arrière	Panel posterior

Printed in Denmark

No.: 110007178E 08/2022
Serial no: 146.01.000XXX

© 2022 All rights reserved

ECOLAB Engineering GmbH,
F & B Engineering Competence Centre EMEA,
Raiffeisenstraße 7,
D-83313 Siegsdorf
Telephone.: (+49) 86 62 /61 0 - Fax: (+49) 86 62 / 61 2 35
e-Mail: engineering-mailbox@ecolab.com

ECOLAB[®]