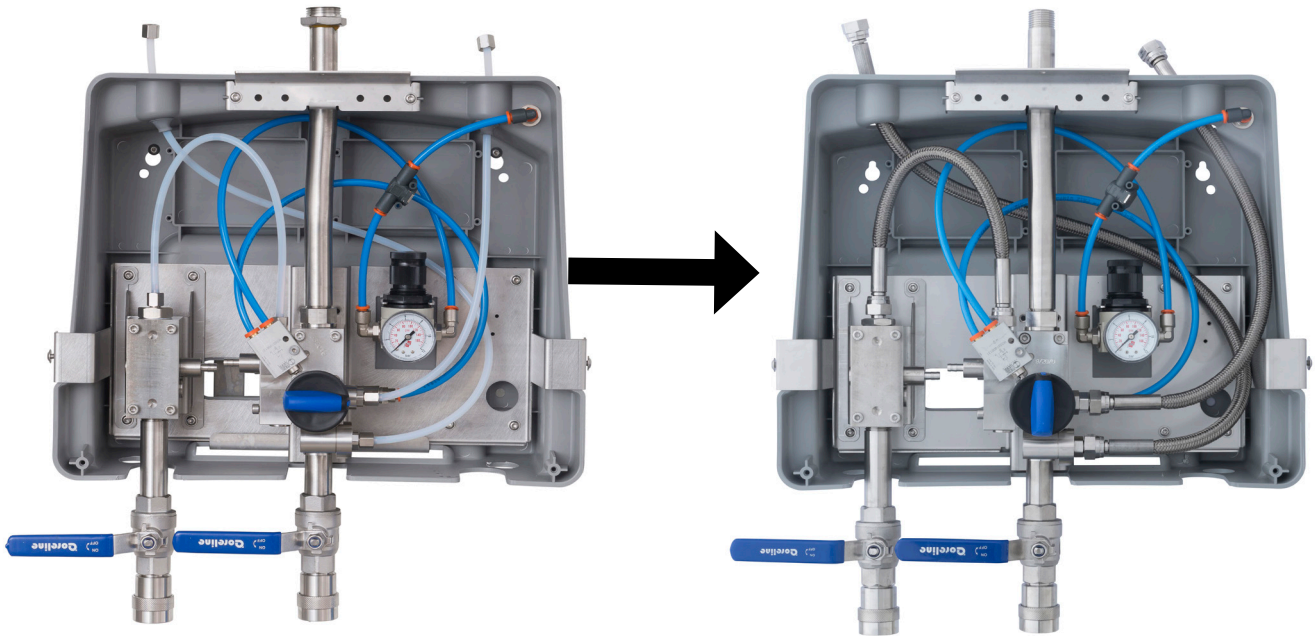


# Hybrid Penta with braided hoses

SU11PD22, SU21PD22, SUPD21, SUPD22, SUPD32, SUPD22DW <11101001271



## Upgrade kits:

- 110007880 Upgrade to braided hose SU21PD22
- 110007881 Upgrade to braided hose SUPD2XXX
- 110007882 Upgrade to braided hose SU11PD22
- 110007883 Upgrade to braided hose SUPD3X

## Replacement of 5 way valve:

- 110007890 5 way valve SU21-PD22 with hoses and fittings
- 110007891 5 way valve SUPD21 with hoses and fittings
- 110007892 5 way valve SU11-PD22 with hoses and fittings
- 110007893 5 way valve SUPD22 with hoses and fittings
- 110007894 5 way valve SUPD32 with hoses and fittings
- 110007895 5 way valve SUPD22DW with hoses and fittings

Upgrade Instructions



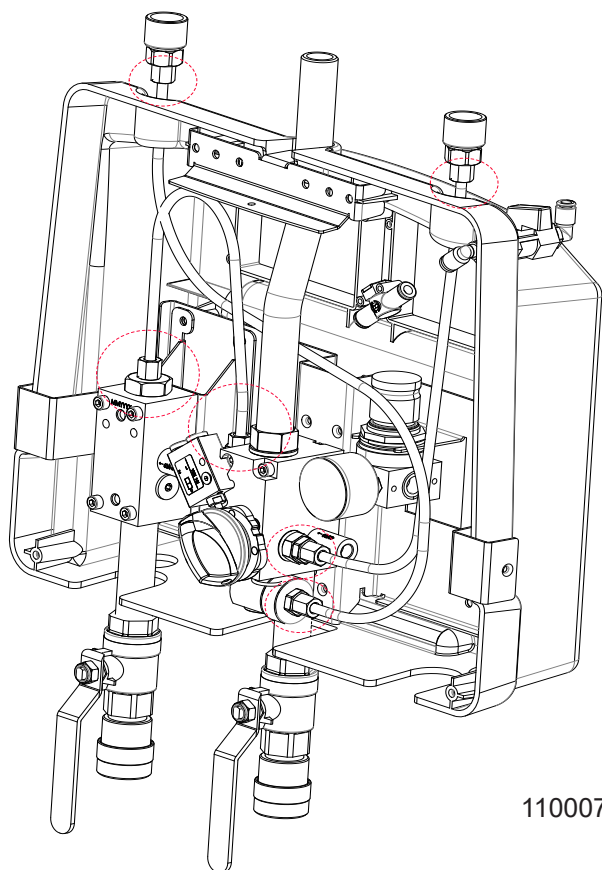


Wear glasses when using the unit.

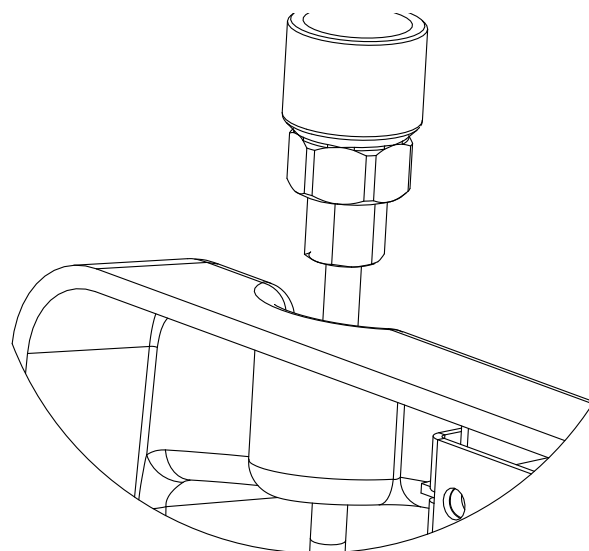


Wear gloves and suitable clothing when using the unit.

1. Turn off the supply of water, air and prediluted , chemical
2. Open the outlet for pressure relief
3. Dismounting of old hoses
  - Loosen the hoses in the top
  - Loosen the hose in the bottom
  - Remove the hoses
  - Remove the inlet fittings on the top

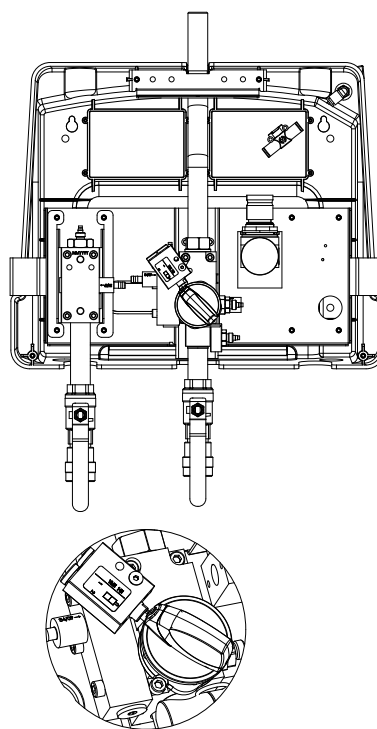


110007845-1



110007845-1-1

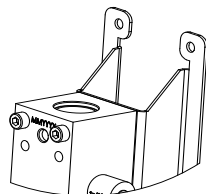
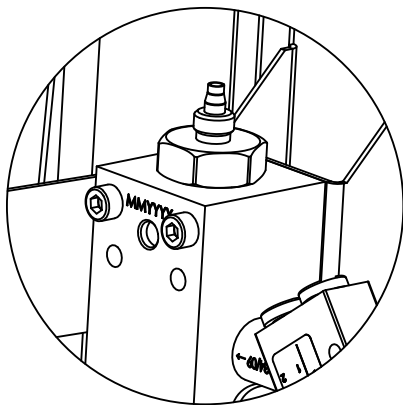
- Remove the inlet fittings on the top
4. Dismount the blocks



110007845-2

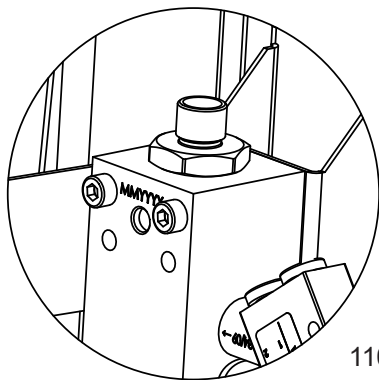
- Turn the button obliquely to the left
- Dismount the block by loosening the 3 screws
- Pull the block downwards

5. Exchange of nipple on top	
Model	
SU21-PD22	Yes
SU11-PD22	No go to paragraph 6
SUPD21	
SUPD22	
SUPD32	
SUPD22DW	



110007845-12

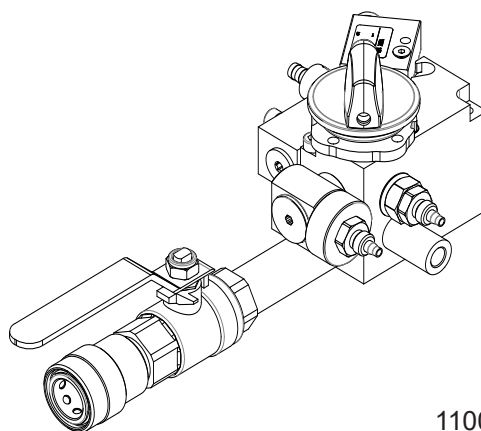
New parts	Amount
110002955	1
110007695	1



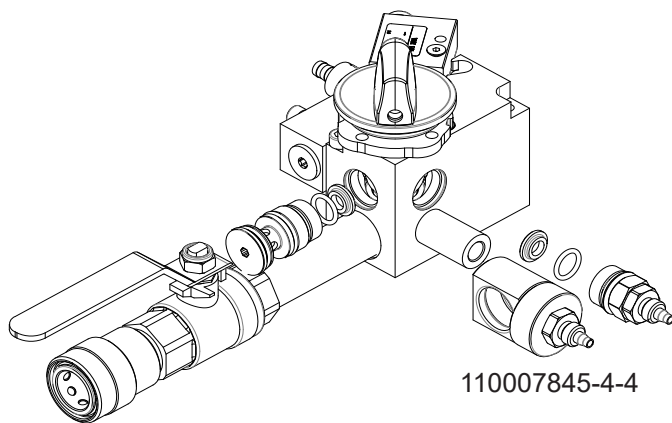
110007845-12

6. For replacement of "complete 5 way" valve go to paragraph 13

7. Dismounting of non return valves	
Model	
SU21-PD22	Yes
SU11-PD22	Yes both sides*
SUPD21	
SUPD22	
SUPD32	
SUPD22DW	

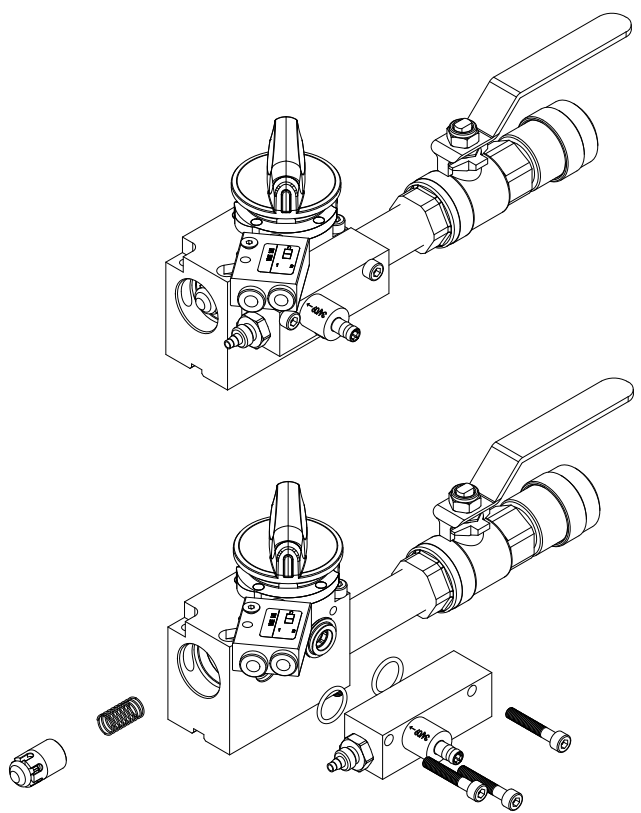


110007845-4



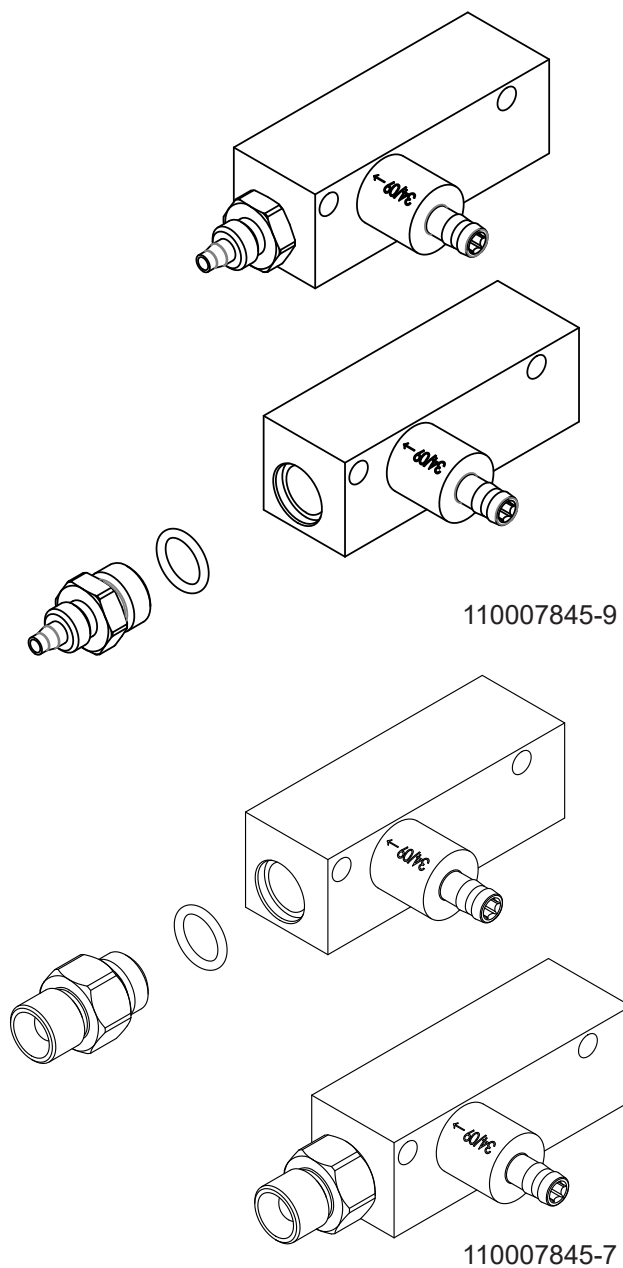
110007845-4-4

8. Dismount the block on the side	
Model	
SU21-PD22	Yes
SU11-PD22	
SUPD21	No go to paragraph 10
SUPD22	
SUPD32	
SUPD22DW	



110007845-5

9. Exchange of nipple on top	
Model	
SU21-PD22	Yes
SU11-PD22	
SUPD21	No go to paragraph 10
SUPD22	
SUPD32	
SUPD22DW	

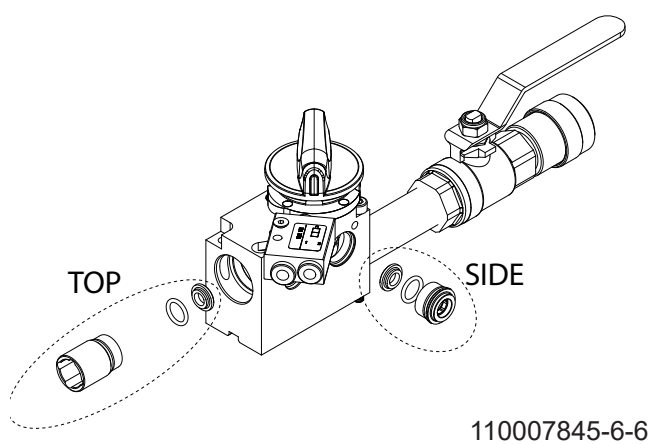


110007845-9

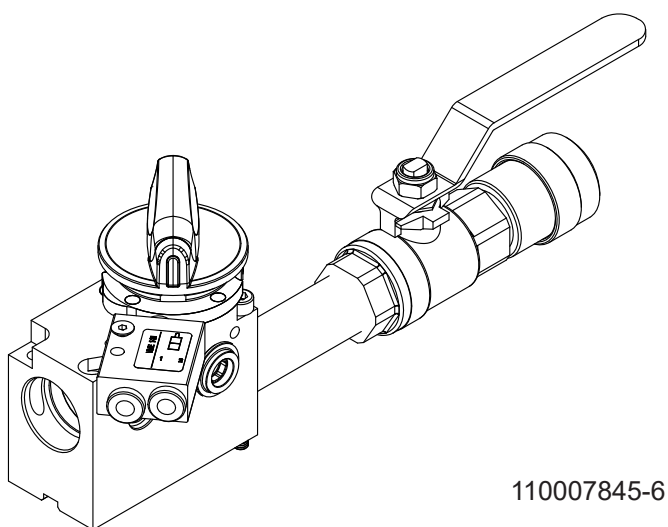
110007845-7

New parts	Amount
110002959	1
110007698	1

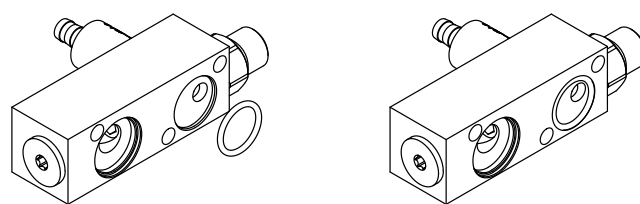
10. Exchange of sealing in the top and on the sides	
<b>Model</b>	Yes
SU21-PD22	
SU11-PD22	
SUPD21	No both sides* in paragraph 9
SUPD22	
SUPD32	
SUPD22DW	



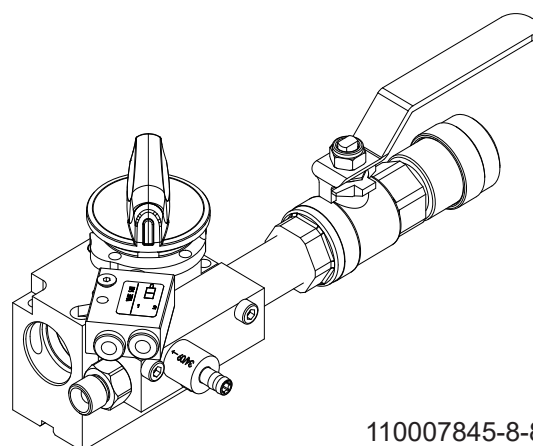
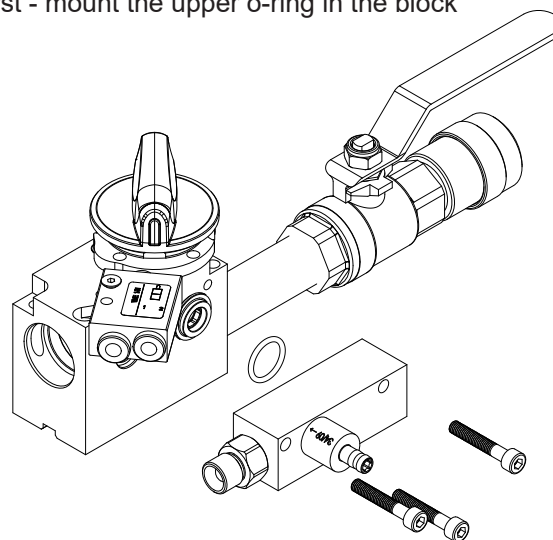
New parts	Amount
110002959	2
110005642	2



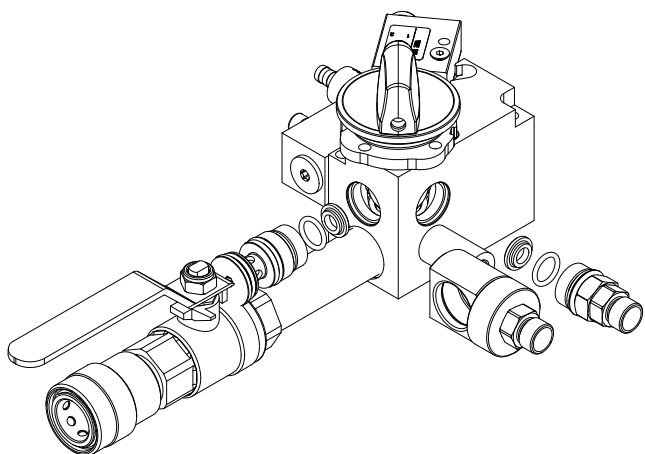
11. Mounting of local chemical block	
<b>Model</b>	Yes
SU21-PD22	
SU11-PD22	
SUPD21	No
SUPD22	
SUPD32	
SUPD22DW	



First - mount the upper o-ring in the block



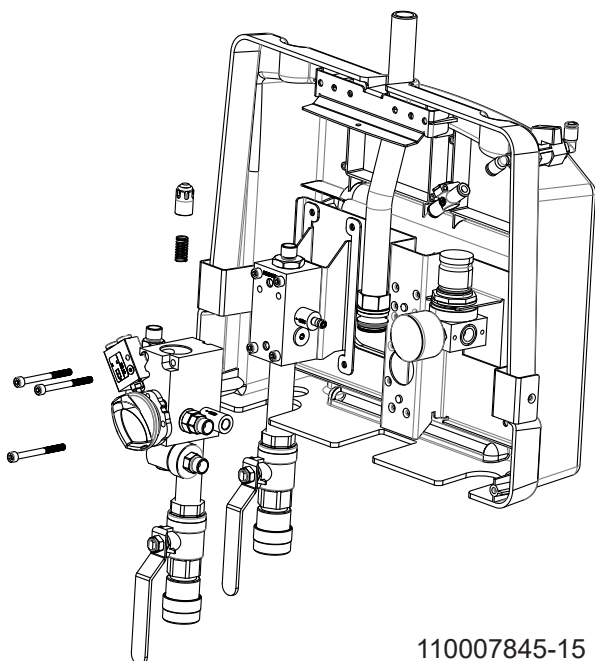
12. Mounting of the non return valve



110007845-13

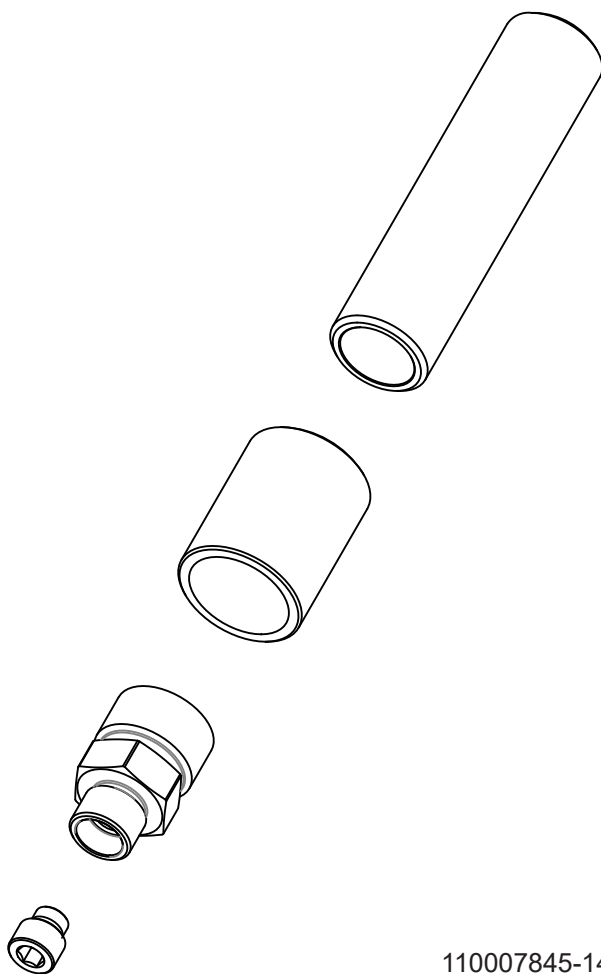
New parts	SU21-PD22	SU11-PD22	SUPD21	SUPD22	SUPD32	SUPD22DW
11000252	2	2	2	2	2	2
110005642	2	2	2	2	2	2
110007808	1	1	2	2	2	2
110007827	1	1	0	0	1	0

13. Mounting of main block in back cabinet



110007845-15

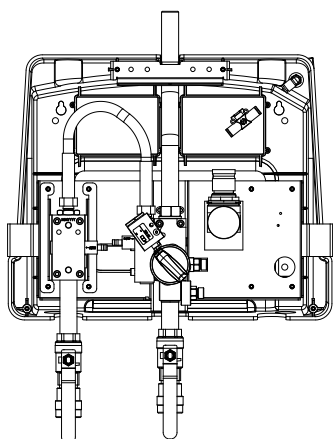
14. Mounting of inlet



110007845-14

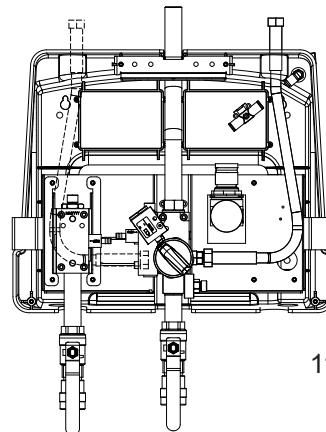
New parts	SU21-PD22	SU11-PD22	SUPD21	SUPD22	SUPD32	SUPD22DW
920500	2	2	2	2	3	2
110007810	2	2	2	2	3	2
110007721	1	1	2	2	3	2

<b>15. Teflon hose braided 1/4"</b> <b>60° Cone /60° Cone size 305 mm</b>	
Model	
SU21-PD22	Yes
SU11-PD22	
SUPD21	Both sides
SUPD22	
SUPD32	
SUPD22DW	



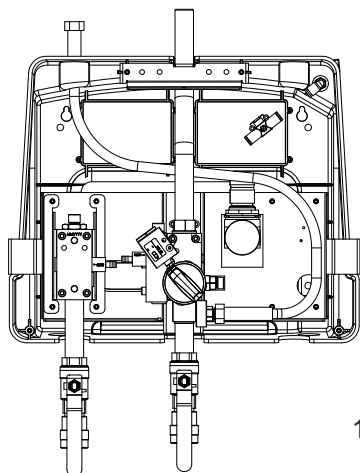
110007845-18

<b>17. Teflon hose braided 1/4"</b> <b>60° Cone/Flat size 400 mm</b>	
Model	
SU21-PD22	Yes
SU11-PD22	
SUPD21	Both sides
SUPD22	
SUPD32	
SUPD22DW	



110007845-16

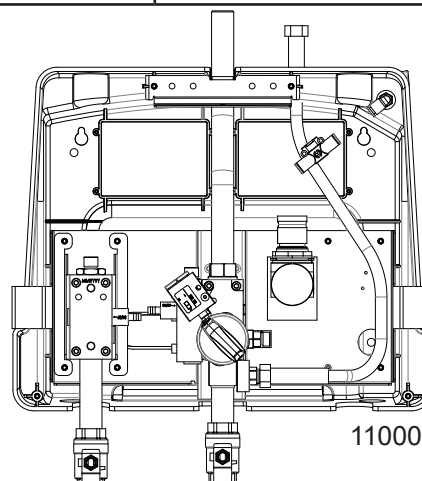
<b>16. Teflon hose braided 1/4"</b> <b>60° Cone/Flat size 610 mm</b>	
Model	
SU21-PD22	Yes
SU11-PD22	
SUPD21	No
SUPD22	
SUPD32	
SUPD22DW	



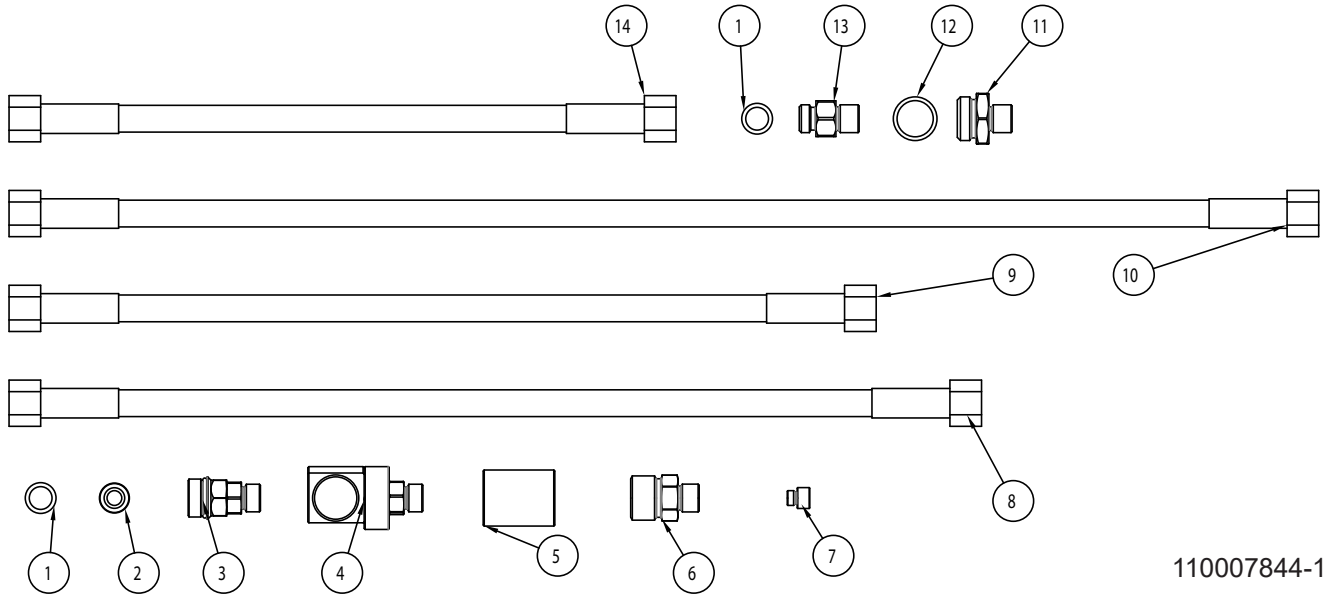
110007845-17

Identify the hose end with conical seat.  
Use it for the satellite valve.

<b>18. Teflon hose braided 1/4"</b>	
Model	
SU21-PD22	No
SU11-PD22	
SUPD21	
SUPD22	
SUPD32	Yes
SUPD22DW	No



110007845-19



Item no.: 110007904A 01/2021  
Printed in Denmark

110007844-1

Pos no.	Item no.	Description	SU21PD22	SU11PD22	SUPD21	SUPD22	SUPD32	SUPD22DW
1	110002952	O-Ring 10,8x1,9 AFLAS	5	4	4	4	4	4
2	110005642	Sealing Ø 14,2 - Ø7 H3,5	4	4	4	4	4	4
3	110007808	Sealing holder with non return valve M18-1/4" for hose	1	1	2	2	2	2
4	110007827	Non return valve for swivel PD for braided hose	1	0	0	0	1	0
5	920500	Socket 1/2" SS	2	2	2	2	3	2
6	110007810	Nippel 1/4" - 1/2" for chemical limiting nozzle M7	2	2	2	2	3	2
7	110007721	Chemical limiting nozzle M7 Ø2,4	2	2	2	2	3	2
8	110007859	Teflon hose braided 1/4" 60° cone/flat size 450 mm	0	0	0	0	1	0
9	110007878	Teflon hose braided 1/4" 60° cone/flat size 400 mm	1	1	2	2	2	2
10	110007860	Teflon hose braided 1/4" 60° cone/flat size 610 mm	1	1	0	0	0	0
11	110007858	Hose nippel 1/2" - 1/4" for braided hose	1	0	0	0	0	0
12	110002955	O-ring 17,1 x 1,78 AFLAS	1	0	0	0	0	0
13	110007698	Hose nippel 1/4" - 1/4" for braided hose	1	0	0	0	0	0
14	110007695	Teflon hose braided 1/4" 60° cone/60° cone size 305 mm	1	0	0	0	0	0

110007904