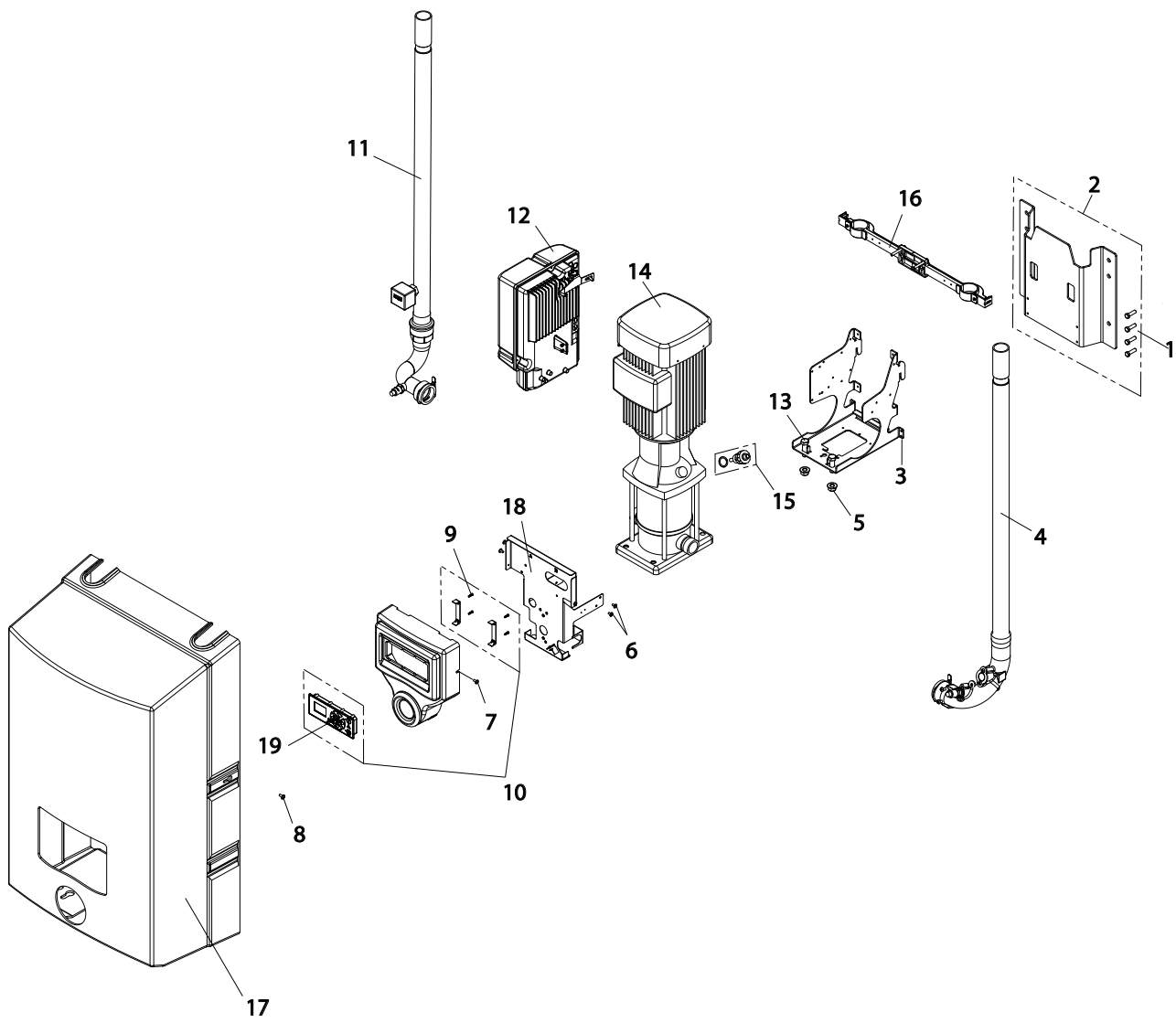


**Recommended spare parts**  
**Empfehlenswerte Ersatzteile**  
**Pièces de rechange conseiées**  
**Piezas de requesto recomendadas**

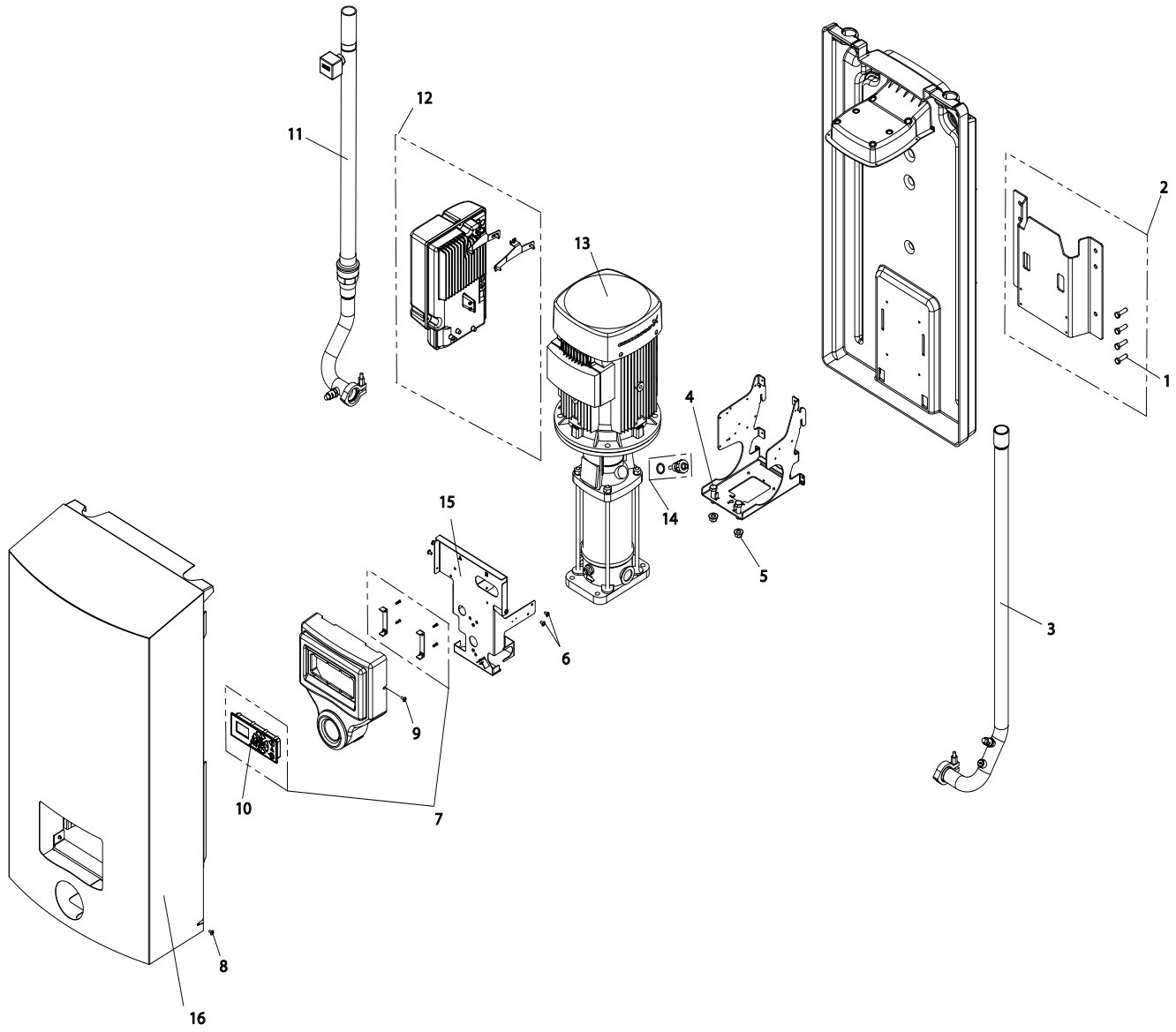
# Pegasus-P BW4



110008163

Pos./Ref.	Nr. No.	Description	Pegasus-P BW4	Hybrid-P BW4	Hybrid-P BW7	Hybrid-P BF4	Hybrid-P BF8	Hybrid-P BF8
1	110001463 (110001346)	<b>Screw kit</b>	1					
2	110001141	<b>Wall bracket complete</b>						
3	110001463 (0602100)	<b>Screw kit</b>						
4		See page 78						
5	110001463 (321700)	<b>Screw kit</b>						
6	110001463 (110007782)	<b>Screw kit</b>						
7	110001463 (110007782)	<b>Screw kit</b>						
8	110001463 (110007782)	<b>Screw kit</b>						
9	110001463 (110000574)	<b>Screw kit</b>						
10	110008189	<b>Display</b>		1				
11		See page 74						
12	110008187	<b>Controller Kit</b>	1	See page 68	See page 68	See page 70	See page 70 - Serial no. 148.0X.XXXXXX	See page 72 - Serial no. 149.0X.XXXXXX
13	110001463 (156704)	<b>Screw kit</b>						
14	0604234	<b>Pump</b>	1					
15	110004713	<b>PT1000 Sensor complete</b>	1					
16		See page 84						
17	110005138	<b>Cover</b>	1					
18	110003646	<b>Bracket</b>	1					
19	110007874	<b>Display</b>	1					

# Hybrid-P BW4 / BW7



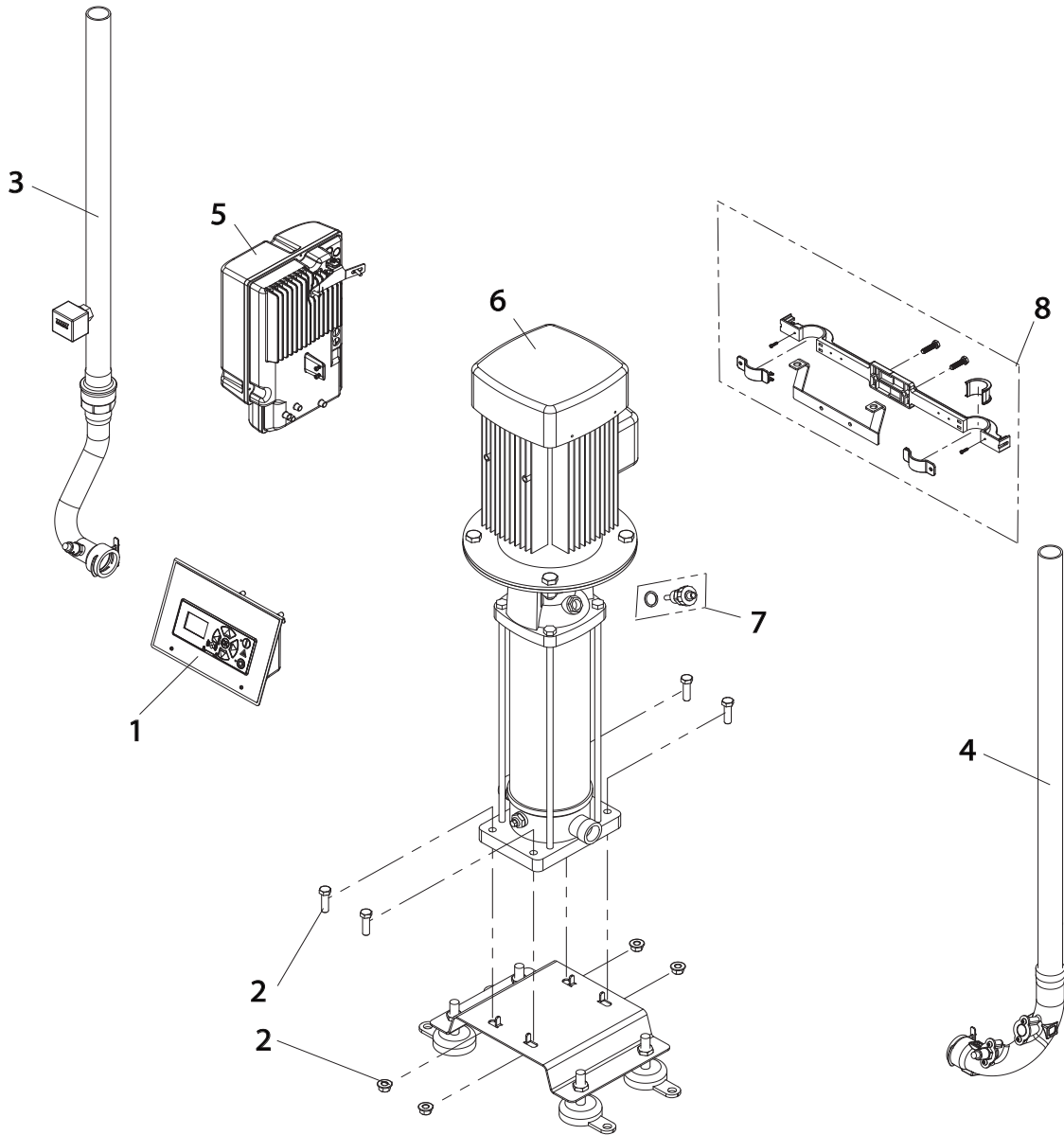
110008164

Pos./Ref.	Nr. No.	Description	Pegasus-P BW4	Hybrid-P BW4	Hybrid-P BW7	Hybrid-P BF4	Hybrid-P BF8	Hybrid-P BF8
1	110001463 (110001346)	<b>Screw kit</b>						
2	110001141	<b>Wall bracket</b>		1	1			
3		See page 78 / 80						
4	110001463 (156704)	<b>Screw kit</b>						
5	110001463 (321700)	<b>Screw kit</b>						
6	110001463 (110007782)	<b>Screw kit</b>						
7	110008189	<b>Display complete</b>		1	1			
8	110001463 (110007782)	<b>Screw kit</b>						
9	110001463 (110007782)	<b>Screw kit</b>						
10	<b>110007874</b>	<b>Display</b>	See page 66	1	1	See page 70	See page 70 - Serial no. 148.0X.XXXXXXX	See page 72 - Serial no. 149.0X.XXXXXXX
11		See page 76						
12	<b>110008187</b>	<b>Controller Kit</b>		1	1			
13	0604234	<b>Pump</b>		1				
13	110007206	<b>Pump</b>			1			
14	110004713	<b>PT1000 Sensor complete</b>		1	1			
15	110003646	<b>Bracket</b>		1	1			
16	110003325	<b>Cover</b>		1	1			

# Hybrid-P BF8

Serial no. 148.0X.XXXXXX

# Hybrid-P BF4

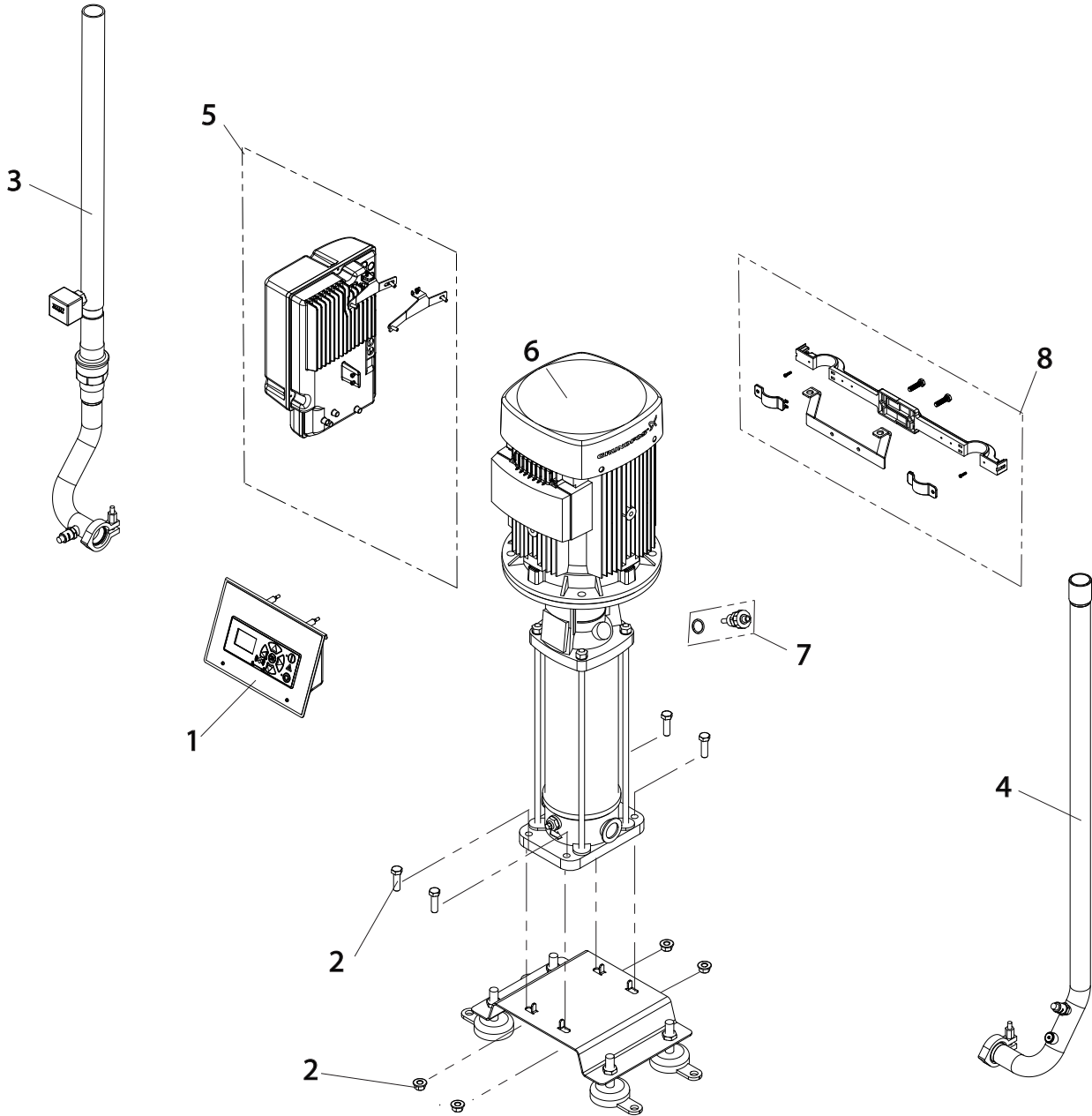


110008165

Pos./Ref.	Nr. No.	Description	Pegasus-P BW4	Hybrid-P BW4	Hybrid-P BW7	Hybrid-P BF4	Hybrid-P BF8	Hybrid-P BF8
1		See page 82						
2	110001143 (156704)	<b>Screw kit for pump</b>						
3		See page 74						
4		See page 78						
5	110008187	<b>Controller Kit</b>				1	1	
6	0604234	<b>Pump</b>			1			
6	110000373	<b>Pump</b>				1		
7	110004713	<b>Temperature sensor</b>						
8		See page 84						
			See page 66	See page 68	See page 68			See page 72 - Serial no. 149.0X.XXXXXX

# Hybrid-P BF8

Serial no. 149.0X.XXXXXX



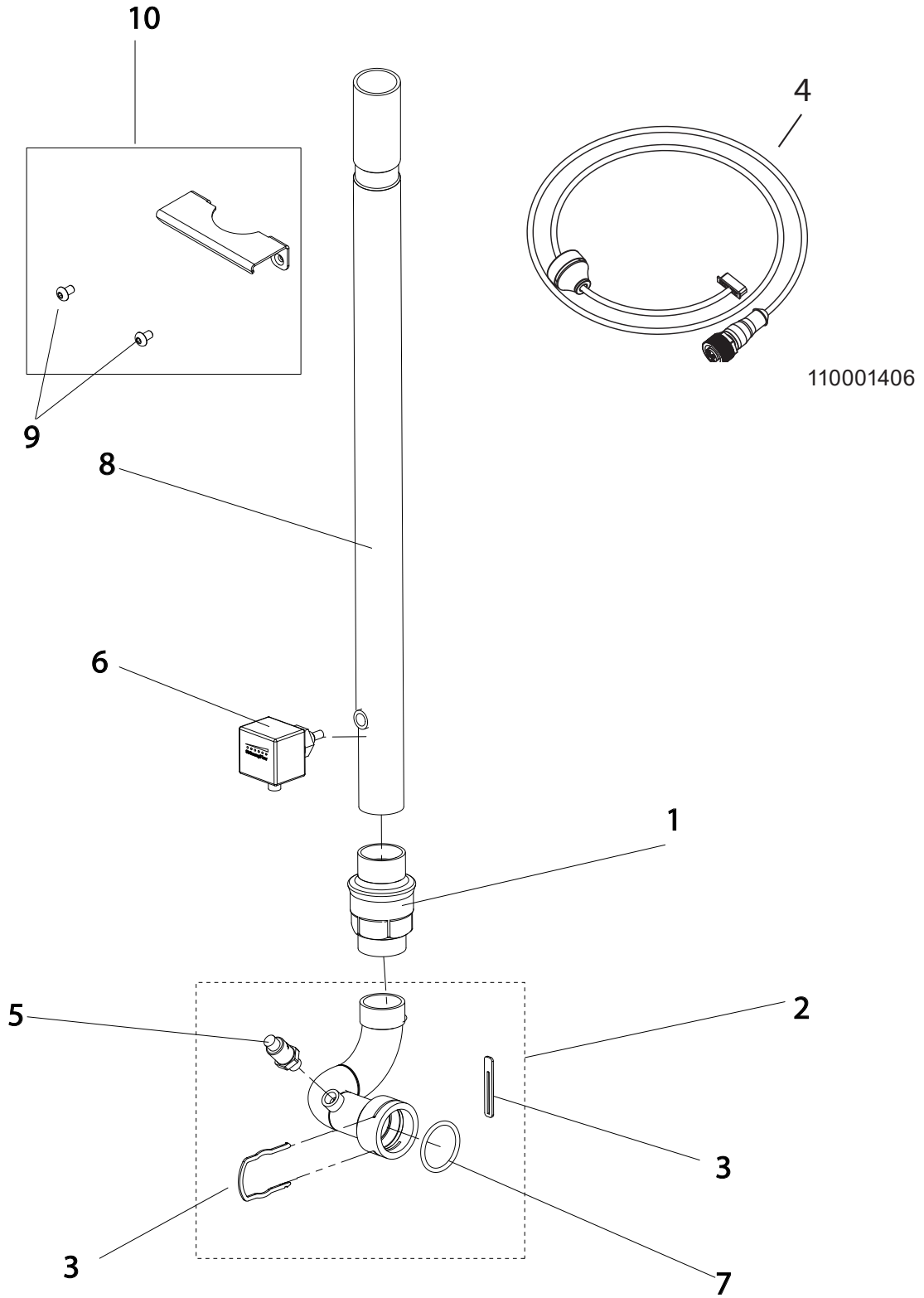
110007221



Pos./Ref.	Nr. No.	Description	Pegasus-P BW4	Hybrid-P BW4	Hybrid-P BW7	Hybrid-P BF4	Hybrid-P BF8	Hybrid-P BF8
1		See page 82						
2	110001143 (156704)	<b>Screw kit for pump</b>						
3		See page 76						
4		See page 80						
5	110008187	<b>Controller Kit</b>						
6	110007206	<b>Pump</b>						
7	110001144	<b>Pressure Sensor kit</b>						
8		See page 84						
			See page 66	See page 68	See page 68	See page 70	See page 70 - Serial no. 148.0X.XXXXX	1 1 1

# Inlet pipe

Serial no. 148.0X.XXXXXX

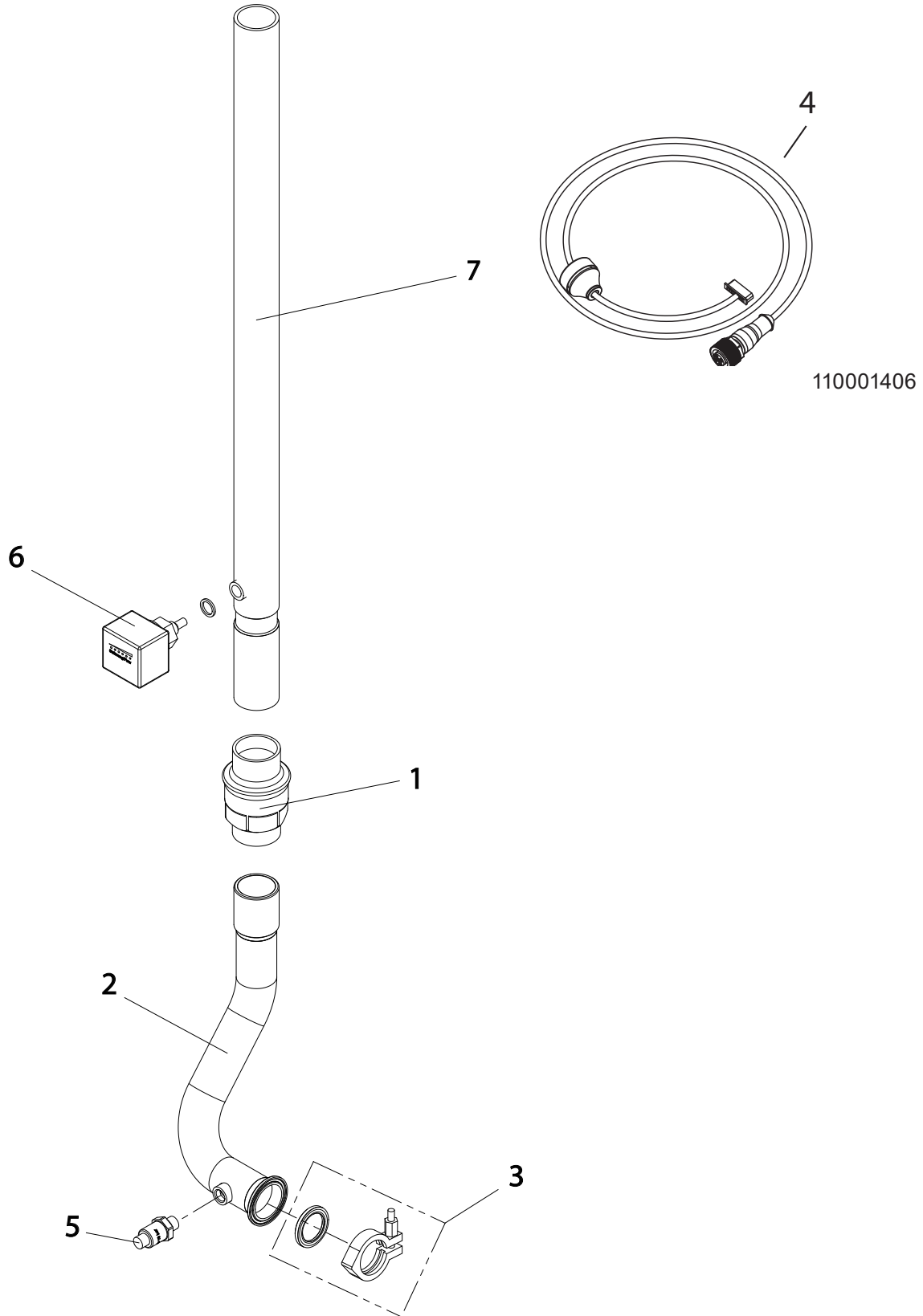


110008550

Pos./Ref.	Nr. No.	Description	Pegasus-P BW4	Hybrid-P BW4	Hybrid-P BW7	Hybrid-P BF4	Hybrid-P BF8	Hybrid-P BF8
1	630900	<b>Non return valve</b>	1	1		1	1	
2	110001240	<b>Inlet manifold</b>	1	1		1		
2	110002664	<b>Inlet manifold</b>						1
3	110001250	<b>Split kit</b>	1	1		1	1	
4	110008188	<b>Sensor cable</b>	1	1		1		
5	110000889	<b>Sensor</b>	1	1		1	1	
6	110000963	<b>Flow switch</b>	1	1		1	1	
7	110001462 (603700)	<b>O-ring kit</b>						
8	110001312	<b>Inlet pipe</b>		1				
8	110002662	<b>Inlet pipe</b>				1	1	
8	110006177	<b>Inlet pipe</b>	1					
9	110001463 (110007782)	<b>Screw kit</b>						
10	110005250	<b>Bracket</b>		1	1			
					See page 76 - Serial no. 149.0X.XXXXXXX			See page 76 - Serial no. 149.0X.XXXXXXX

# Inlet pipe

Serial no. 149.0X.XXXXXX

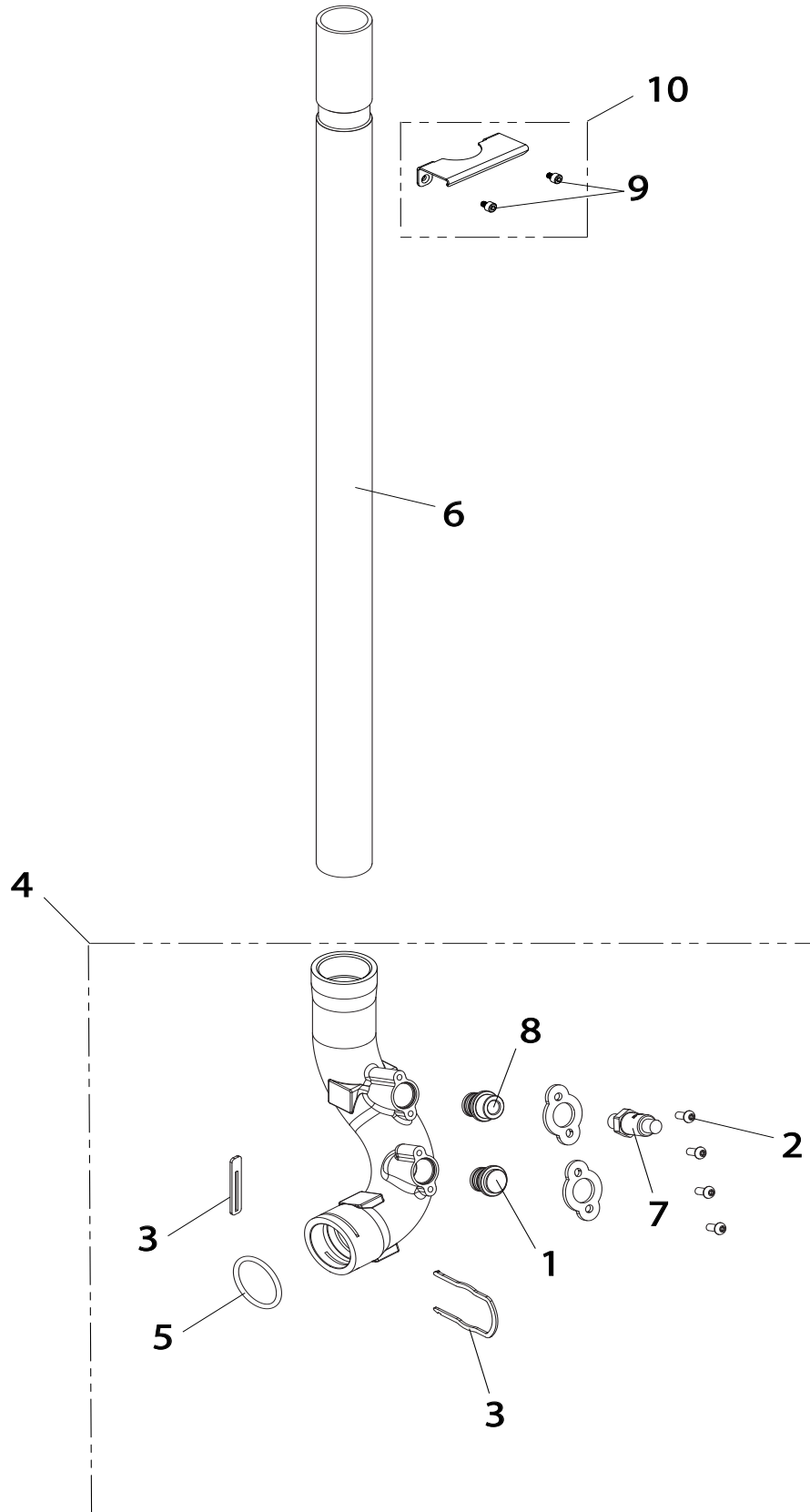


110008287

Pos./Ref.	Nr. No.	Description	Pegasus-P BW4	Hybrid-P BW4	Hybrid-P BW7	Hybrid-P BF4	Hybrid-P BF8	Hybrid-P BF8
1	630900	<b>Non return valve</b>		1	1			1
2	110004913	<b>Piping inlet</b>		1	1			1
3	110005273	<b>Clamp kit</b>		1	1			1
4	110008188	<b>Sensor cable</b>		1	1			1
5	110000889	<b>Sensor</b>		1	1			1
6	110000963	<b>Flow switch</b>		1	1			1
7	110008306	<b>Inlet pipe</b>		1	1			1
			See page 74			See page 74	See page 74 - Serial no. 148.0X.XXXXXX	

# Outlet pipe

Serial no. 148.0X.XXXXXX

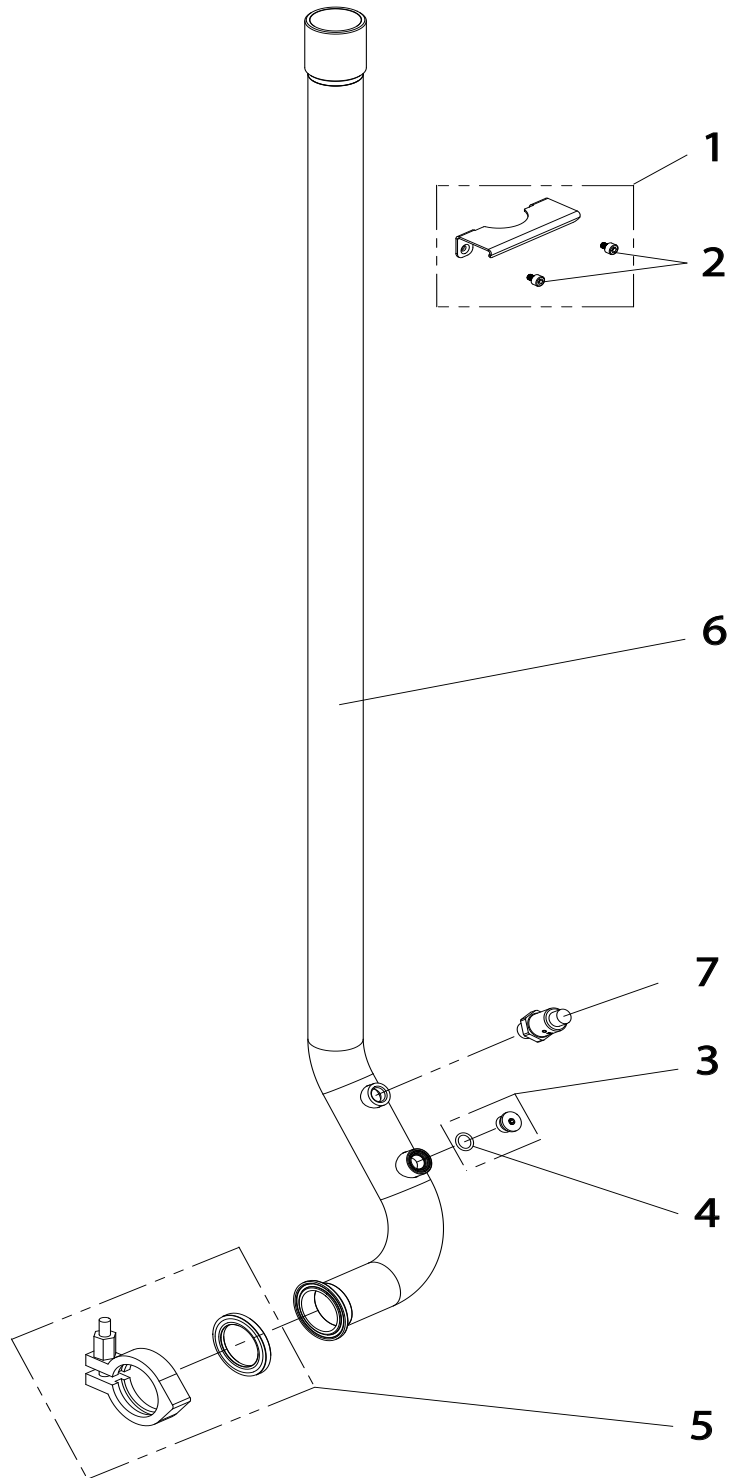


110008166

Pos./Ref.	Nr. No.	Description	Pegasus-P BW4	Hybrid-P BW4	Hybrid-P BW7	Hybrid-P BF4	Hybrid-P BF8	Hybrid-P BF8
1	110001145	<b>Plug</b>	2	2		2	2	
2	110001463 (0602094)	<b>Screw kit</b>						
3	110005273	<b>Split kit</b>	1	1		1	1	
4	110008190	<b>Outlet manifold complete</b>	1	1		1	1	
5	110001462 (603700)	<b>O-ring kit</b>						
6	0603328	<b>Outlet pipe</b>		1			1	
6	110006174	<b>Outlet pipe</b>	1			1		
7	110000890	<b>Pressure sensor</b>	1	1		1	1	
8	0664316	<b>Nipple</b>	1	1		1	1	
9	110001463 (110007782)	<b>Screw kit</b>						
10	110005280	<b>Bracket</b>	1	1				
					See page 80 - Serial no. 149.0X.XXXXXXX			See page 80 - Serial no. 149.0X.XXXXXXX

# Outlet pipe

Serial no. 149.0X.XXXXXX



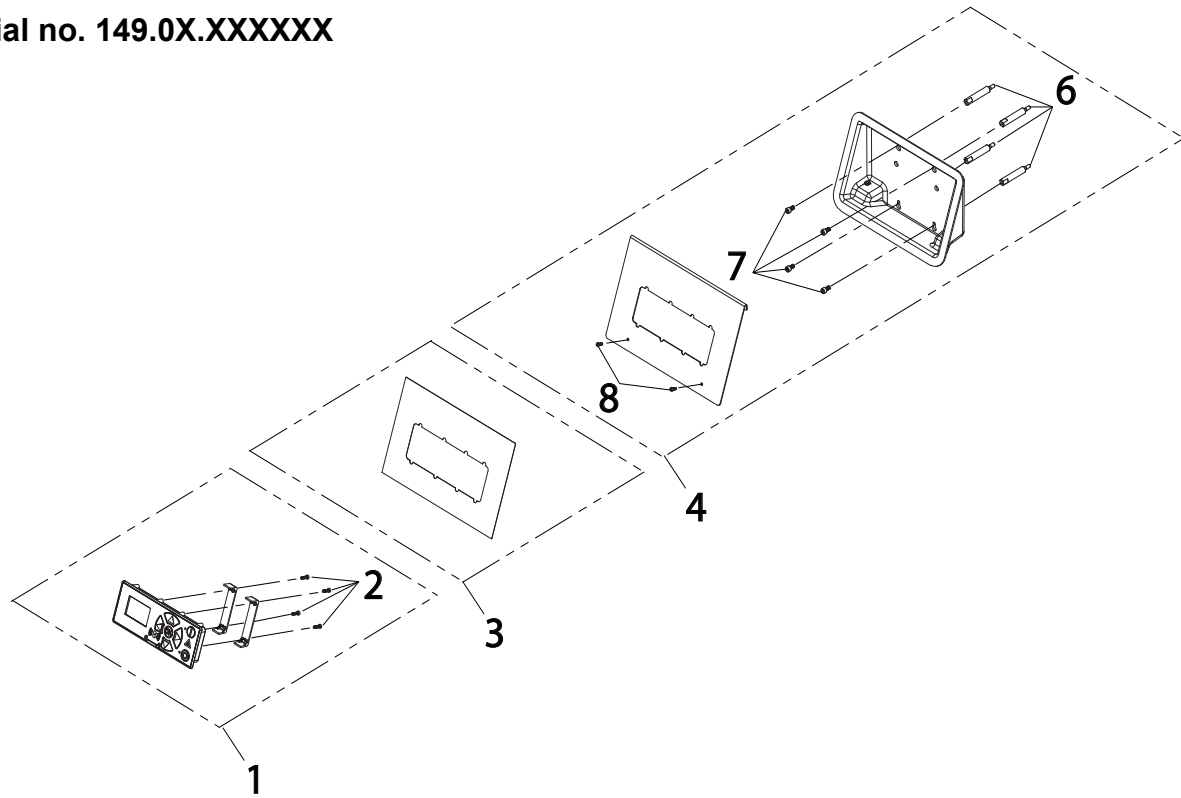
110008351



Pos./Ref.	Nr. No.	Description	Pegasus-P BW4	Hybrid-P BW4	Hybrid-P BW7	Hybrid-P BF4	Hybrid-P BF8	Hybrid-P BF8
1	110005280	<b>Bracket</b>			1			
2	110001463 (110007782)	<b>Screw kit</b>						
3	110002306	<b>Plug</b>			1			
4	110001463 (110002952)	<b>O-ring Kit</b>			1			
5	110005273	<b>Clamp Kit</b>			1			
6	110008292	<b>Outlet pipe</b>			1			
7	110000890	<b>Pressure sensor</b>			1			
			See page 78	See page 78		See page 78	See page 78 - Serial no. 148.0X.XXXXXX	
								1
								1
								1
								1

# Hybrid-P BF8

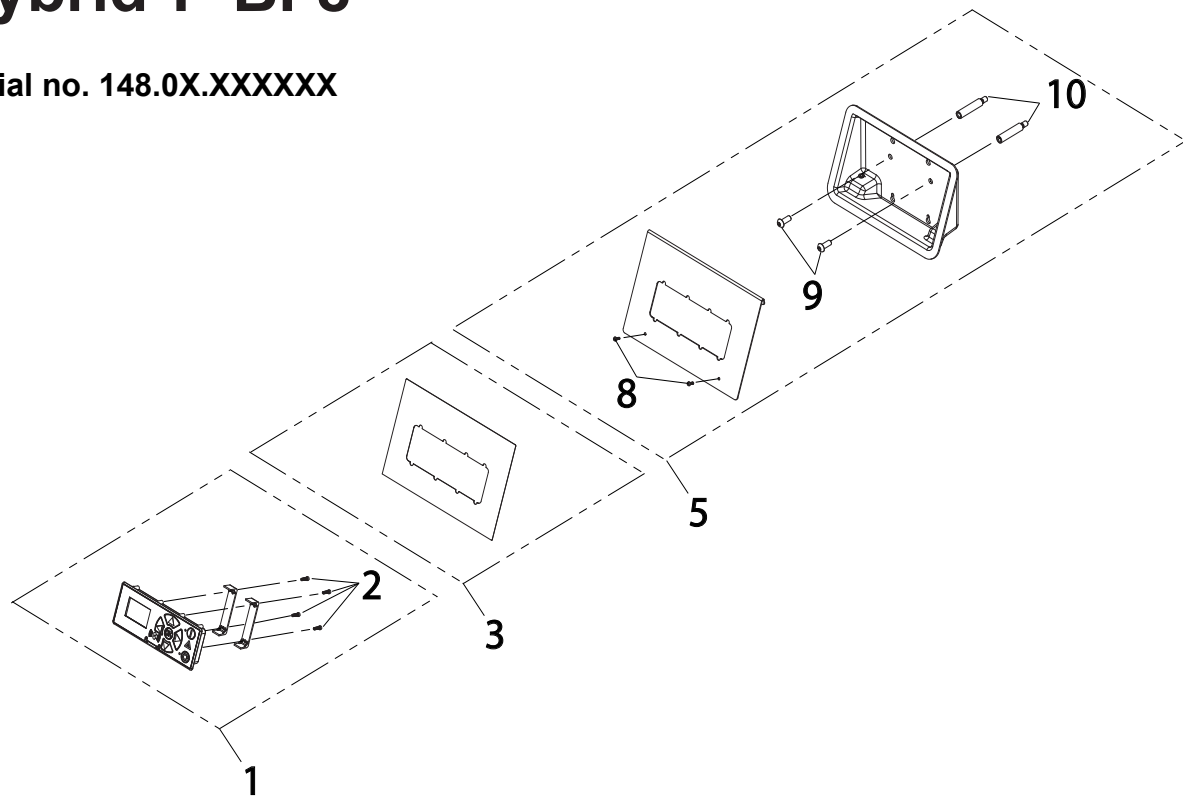
Serial no. 149.0X.XXXXXX



# Hybrid-P BF4

# Hybrid-P BF8

Serial no. 148.0X.XXXXXX

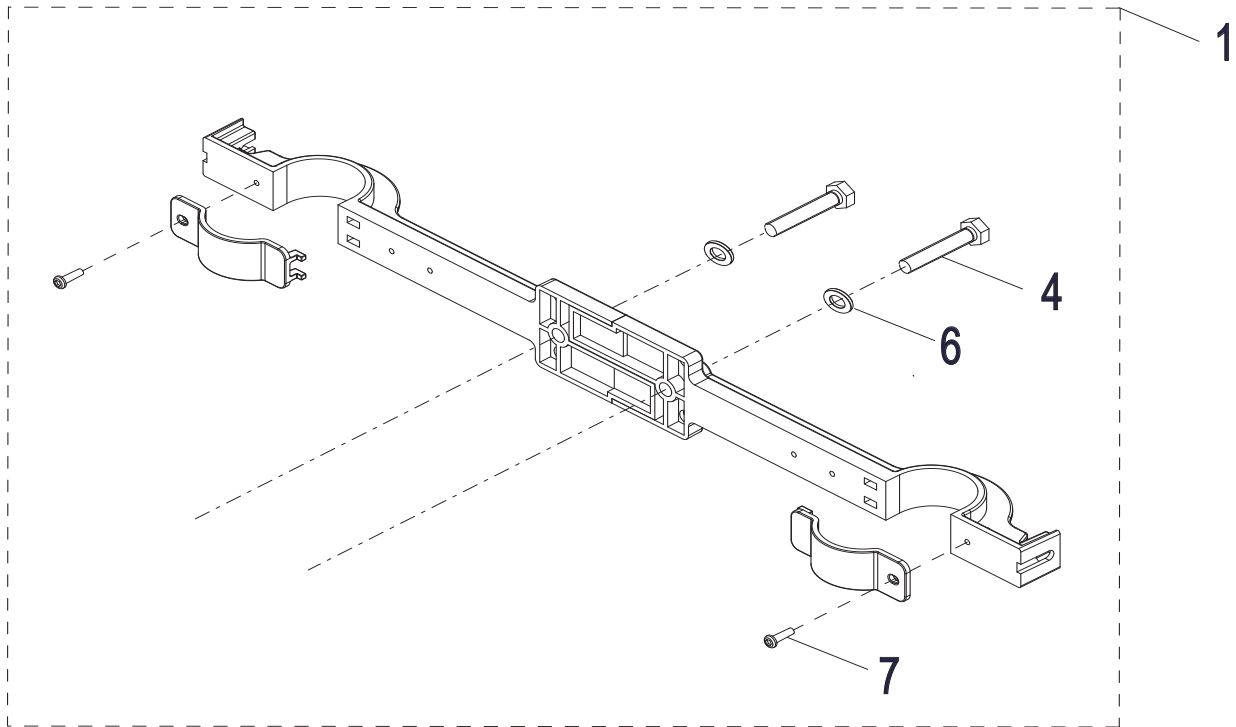


110008167

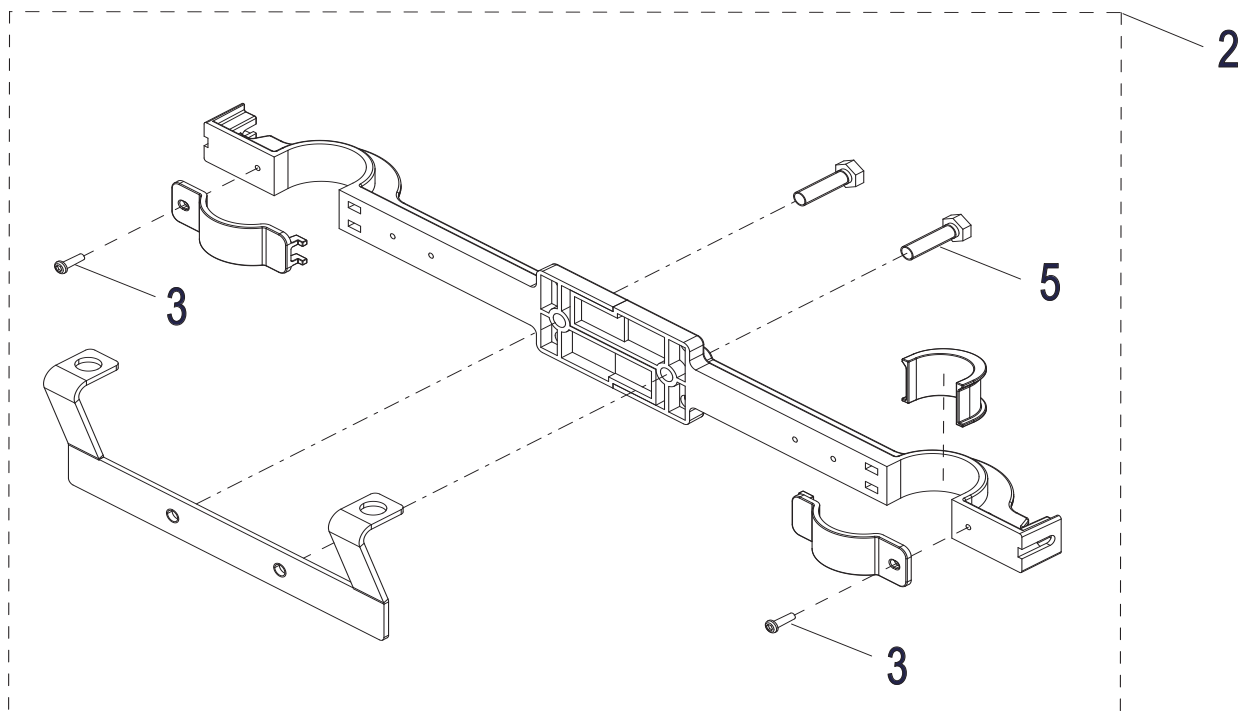
Pos./Ref.	Nr. No.	Description	Pegasus-P BW4	Hybrid-P BW4	Hybrid-P BW7	Hybrid-P BF4	Hybrid-P BF8	Hybrid-P BF8
1	110008189	<b>Display complete</b>				1	1	1
2	110001463 (110000574)	<b>Screw kit</b>						
3	110001468	<b>Label kit</b>				1	1	1
4	110008249	<b>Frame complete BF8 / BF4</b>				1		1
5	110008250	<b>Frame complete BF8</b>					1	
6	110001463 (110008138)	<b>Screw kit</b>						
7	110001463 (0600009)	<b>Screw kit</b>						
8	110001463 (0602045)	<b>Screw kit</b>						
9	110001463 (0602072)	<b>Screw kit</b>						
10	110001463 (110008034)	<b>Screw kit</b>						
			See page 66	See page 68	See page 68			

# Pipe holder system

## Pegasus-P BW4 / Hybrid-P BF4



## Hybrid-P BF8 Serial no. 148.0X.XXXXXXX + 149.0X.XXXXXXX

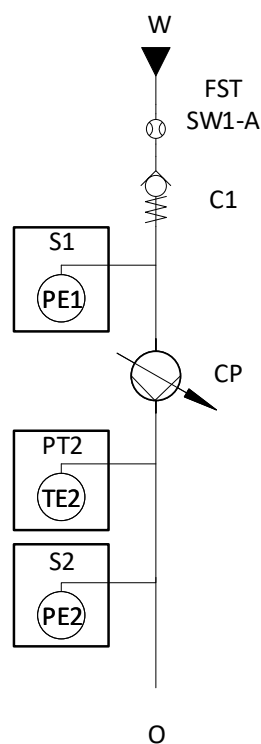


110003710

Pos./Ref.	Nr. No.	Description	Pegasus-P BW4	Hybrid-P BW4	Hybrid-P BW7	Hybrid-P BF4	Hybrid-P BF8	Hybrid-P BF8
1	110000221	<b>Pipe rack complete</b>	1			1		
2	110000222	<b>Pipe rack complete</b>					1	1
3	110001463 (110000574)	<b>Screw kit</b>						
4	110001463 (156407)	<b>Screw kit</b>						
5	110001463 (156509)	<b>Screw kit</b>						
6	110003512 (156402)	<b>Screw kit</b>						
7	110003512 (110000574)	<b>Screw kit</b>						

## Operating Diagrams

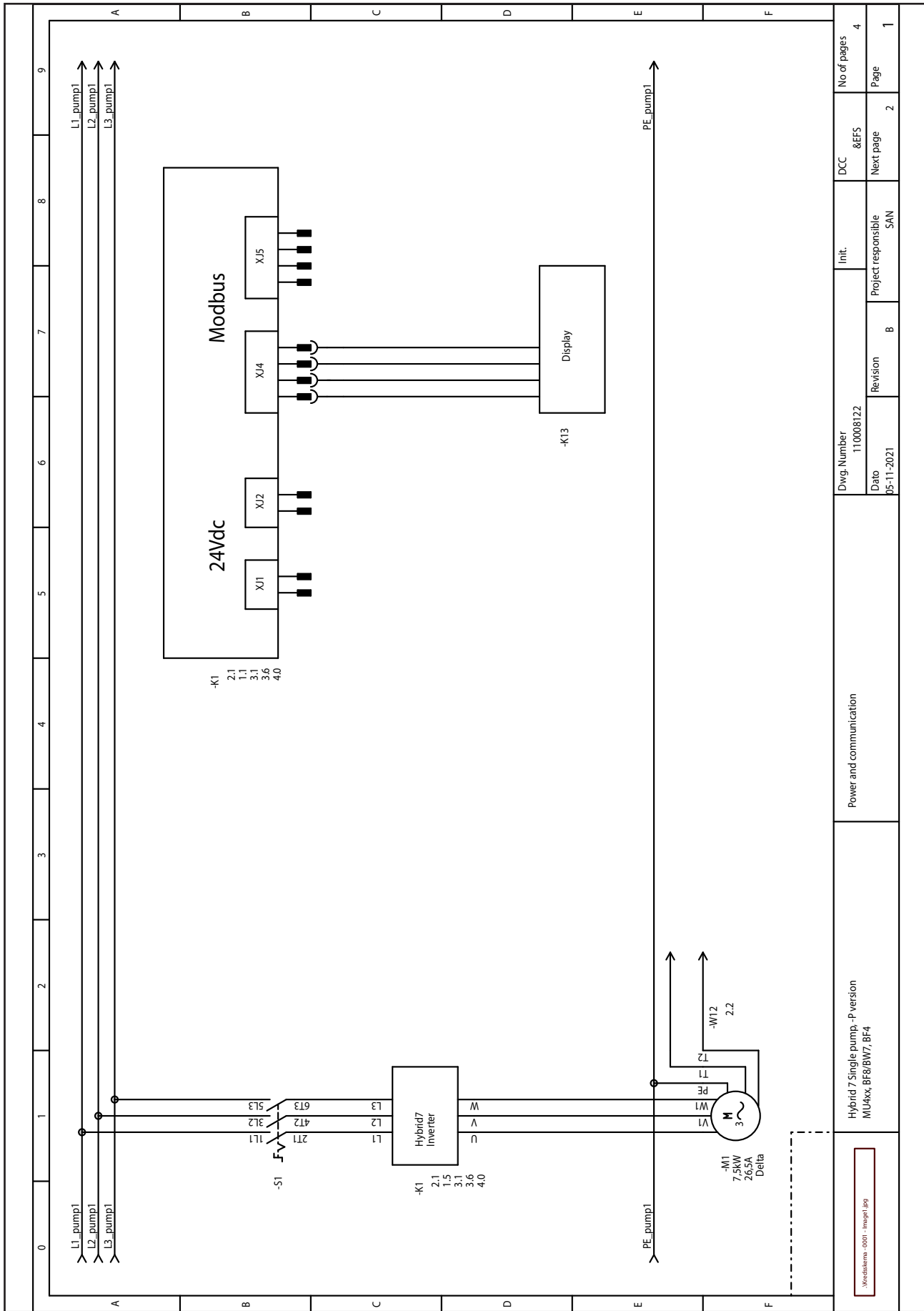
# Pegasus-P BW4, Hybrid-P BW4, Hybrid-P BW7 Hybrid-P BF4, Hybrid-P BF8



110008168

	English	Deutsch	Français	Español
C	Check valve	Rückschlagventil	Clapet anti-retour	Válvula de retención
CP	Centrifugal pump	Kreiselpumpe	Pompe centrifuge	Bomba centrífuga
FST	Flow sensor and -trigger	Durchflusssensor und-auslöser	Capteur de débit et de déclenchement	Sensor de caudal y de activación
O	Outlet	Auslauf	Évacuation	Salida
PE	Presssure sensor	Drucksensor	Capteur de pression	Sensor de presión
PT2	Inverter board connection	Inverter board connection	Inverter board connection	Inverter board connection
S1,S2	Inverter board connection	Inverter board connection	Inverter board connection	Inverter board connection
SW1-A	Inverter board connection	Inverter board connection	Inverter board connection	Inverter board connection
TE	Temperature switch	Temperaturschalter	Interrupteur thermostatique	Interruptor de temperatura
W	Water inlet	Wassereinlauf	Entrée d'eau	Entrada de agua

# Electrical diagram



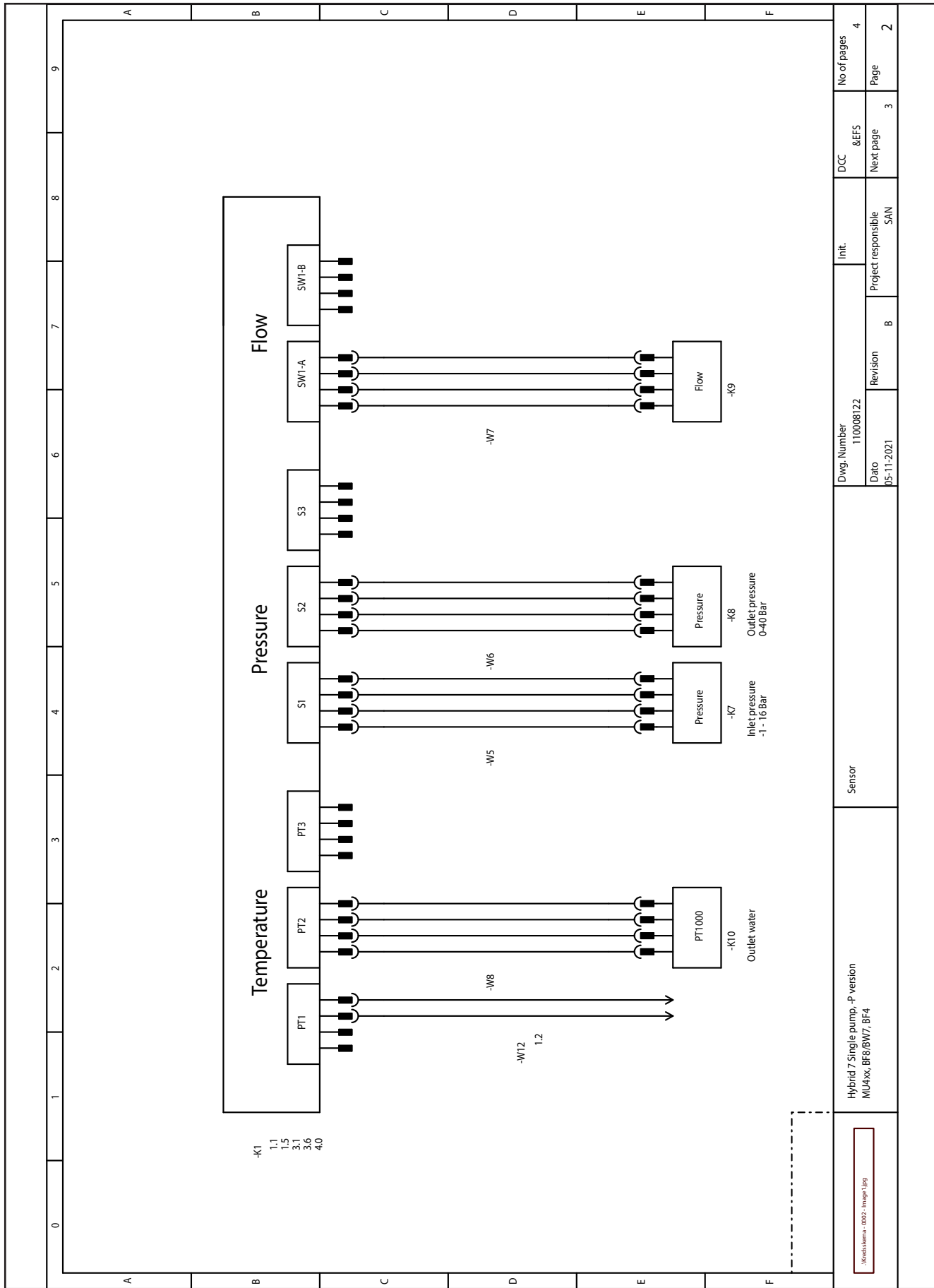
:\xref\skema-0001-impugi.jpg

Dwg Number	110008172	Init.	DCC	No of pages
Date	05-11-2021	Project responsible	&EFS	4
		Revision	Next page	
		B	SAN	Page
			2	1

Power and communication	
-------------------------	--

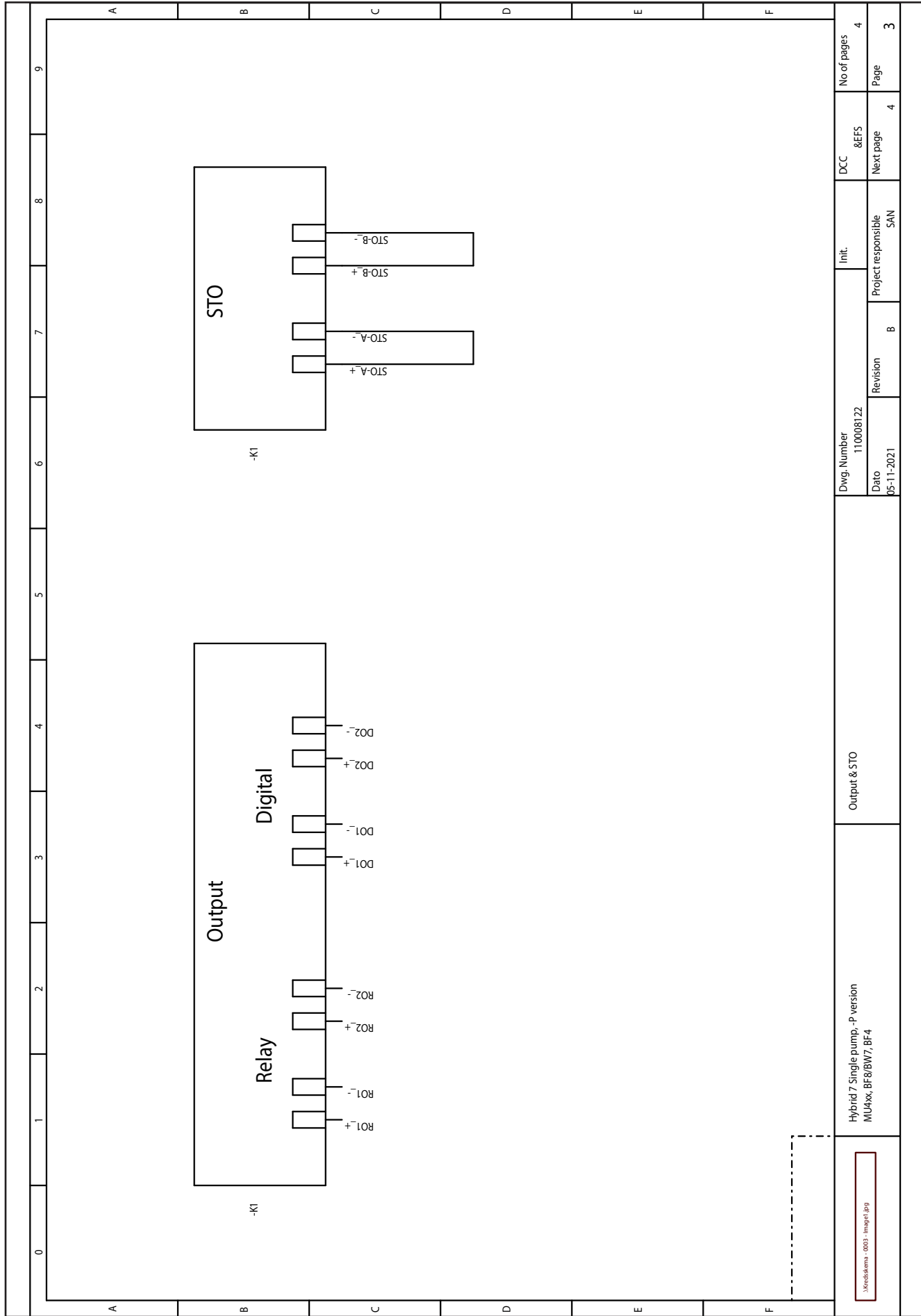
Hybrid 7 Single pump, -P version MU4xx, BF8/BW7, BF4
---------------------------------------------------------

### Sensor diagram



Hybrid 7 Single pump - P version MU4xx, BF6/BW7, BF4		Sensor		Dwg. Number 110008122		DCC &EFS		No of pages 4	
.\\xds\stema-0002-image1.jpg				Date 05-11-2021		Revision B		Page 2	
				Project responsible SAN		Next page 3			

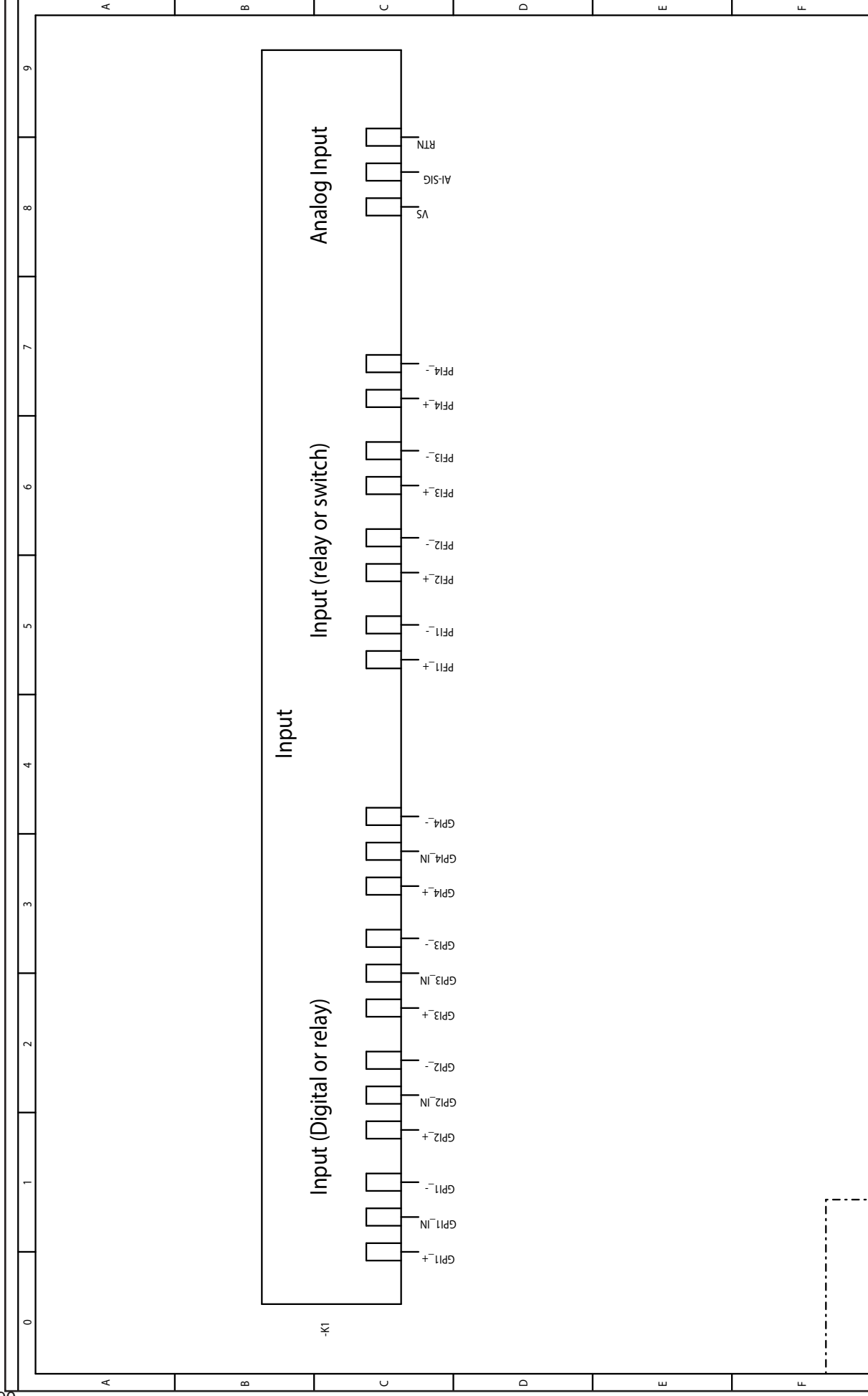




\\Kreiskema - 003 - image1.jpg

Hybrid 7 Single pump, -P version MUxxx, BF&BW7, BF4		Output & STO		Dwg. Number 110008122		Init.		DCC		No of pages	
				Date 05-11-2021		Revision B		Project responsible SAN		Next page	
								4		4	
										3	

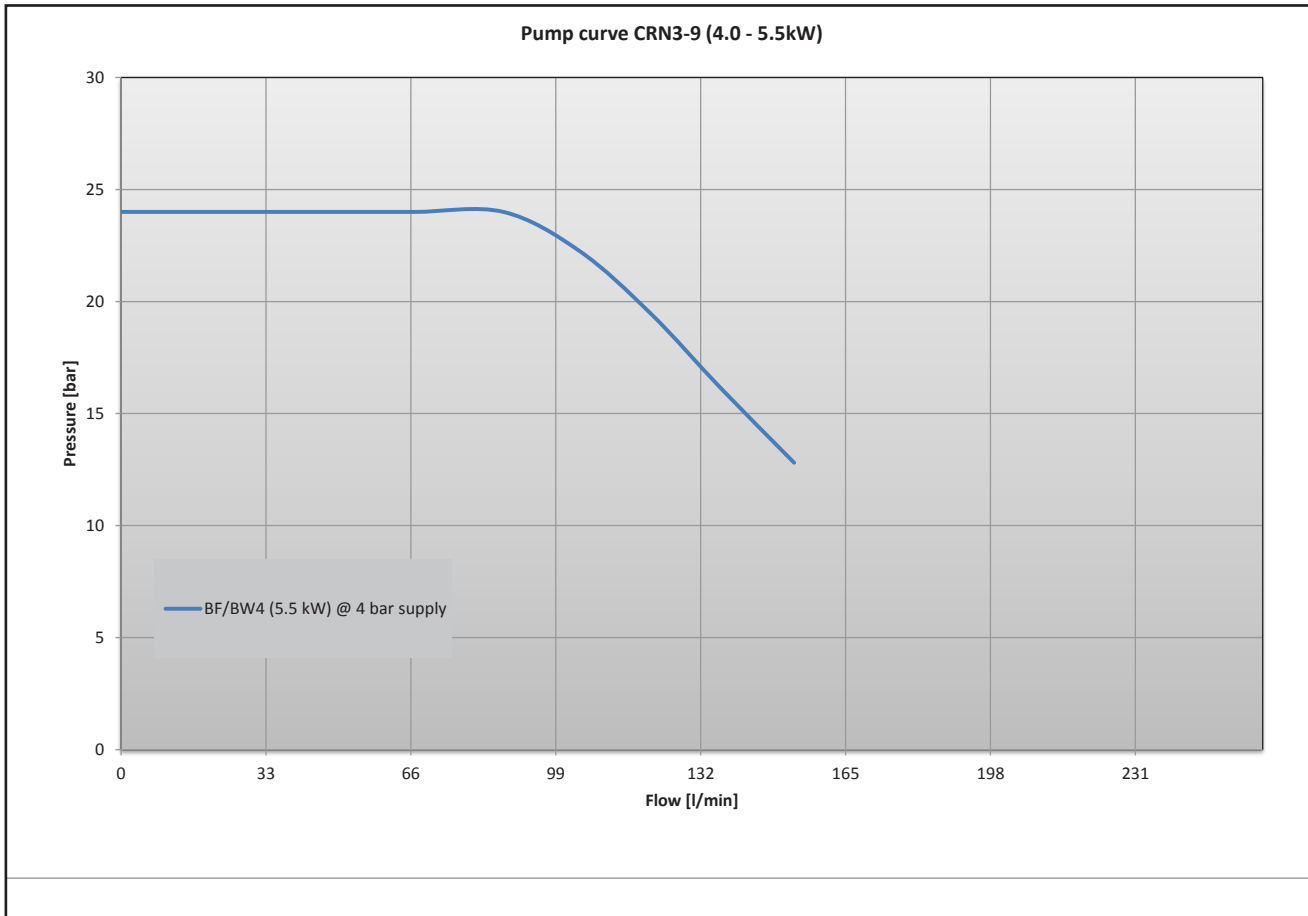
90



Hybrid 7 Single pump, -P version MU4xx, BF8/BW7, BF4		Input		Dwg. Number 110008122		Init.		DCC &EFS		No of pages 4	
.\\redalerna-0004-image.jpg				Date 05-11-2021		Revision B		Project responsible SAN		Page 4	

# Pump curve

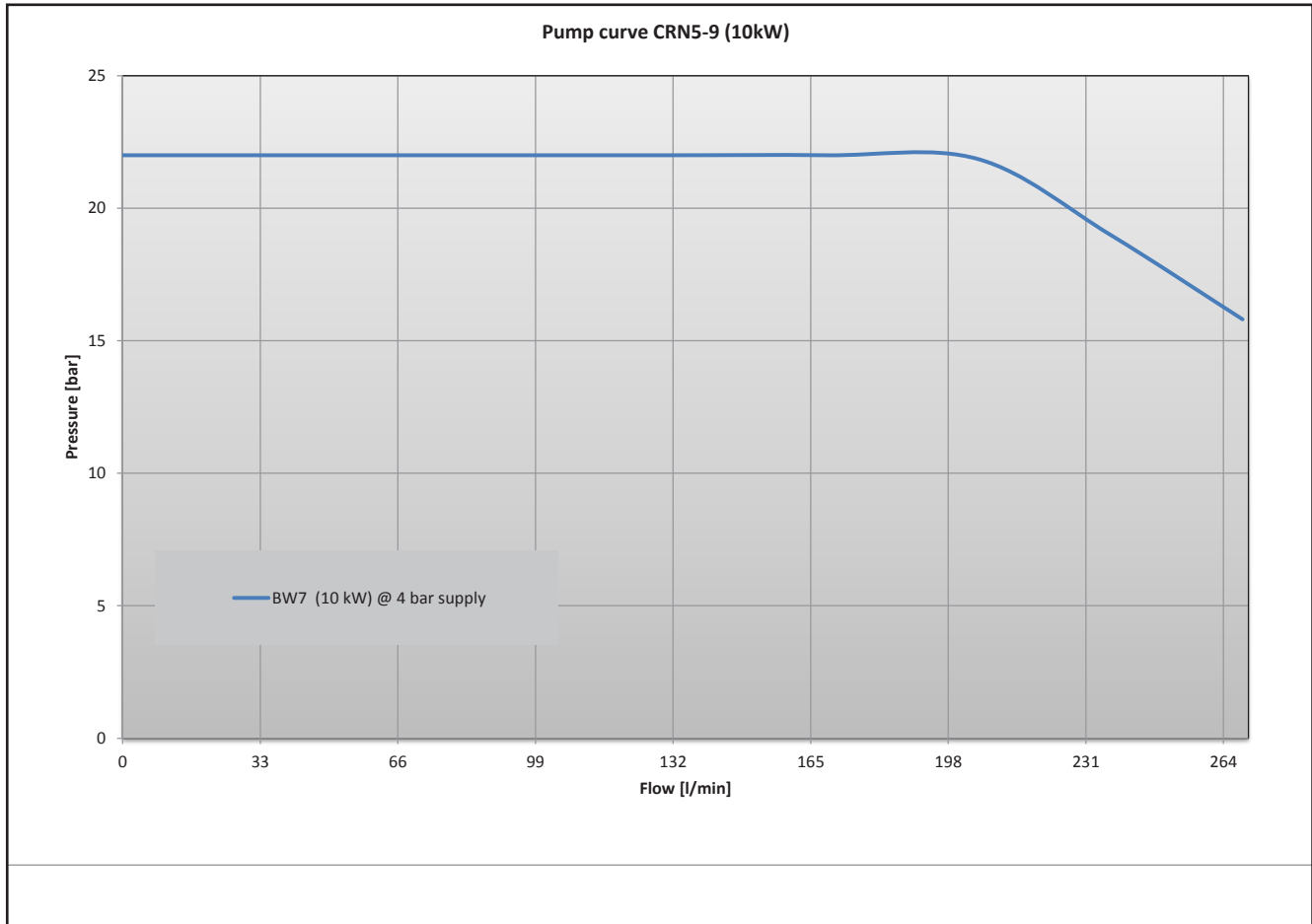
BW4, BF4



110003038

# Pump curve

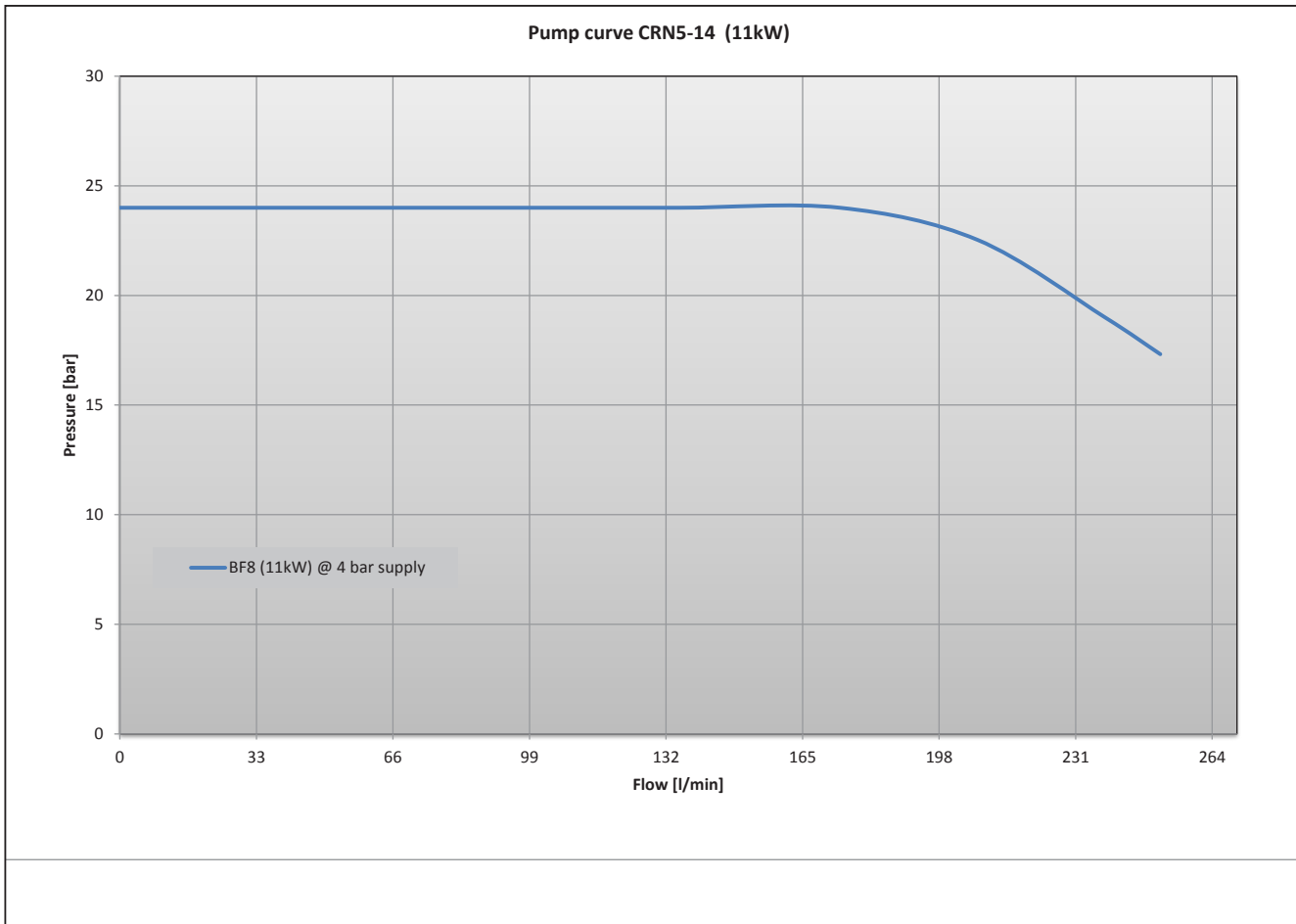
## BW7



1100003038

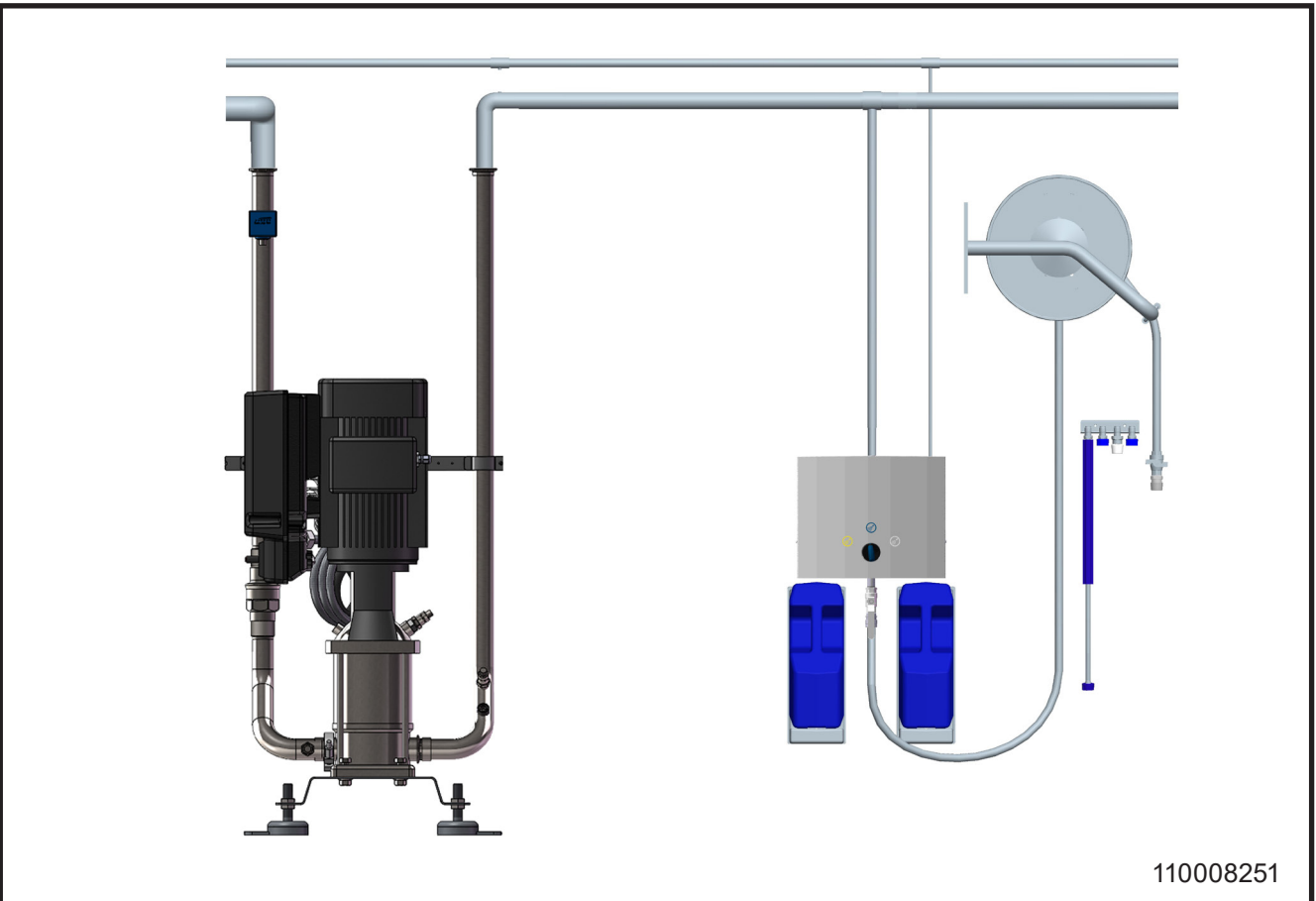
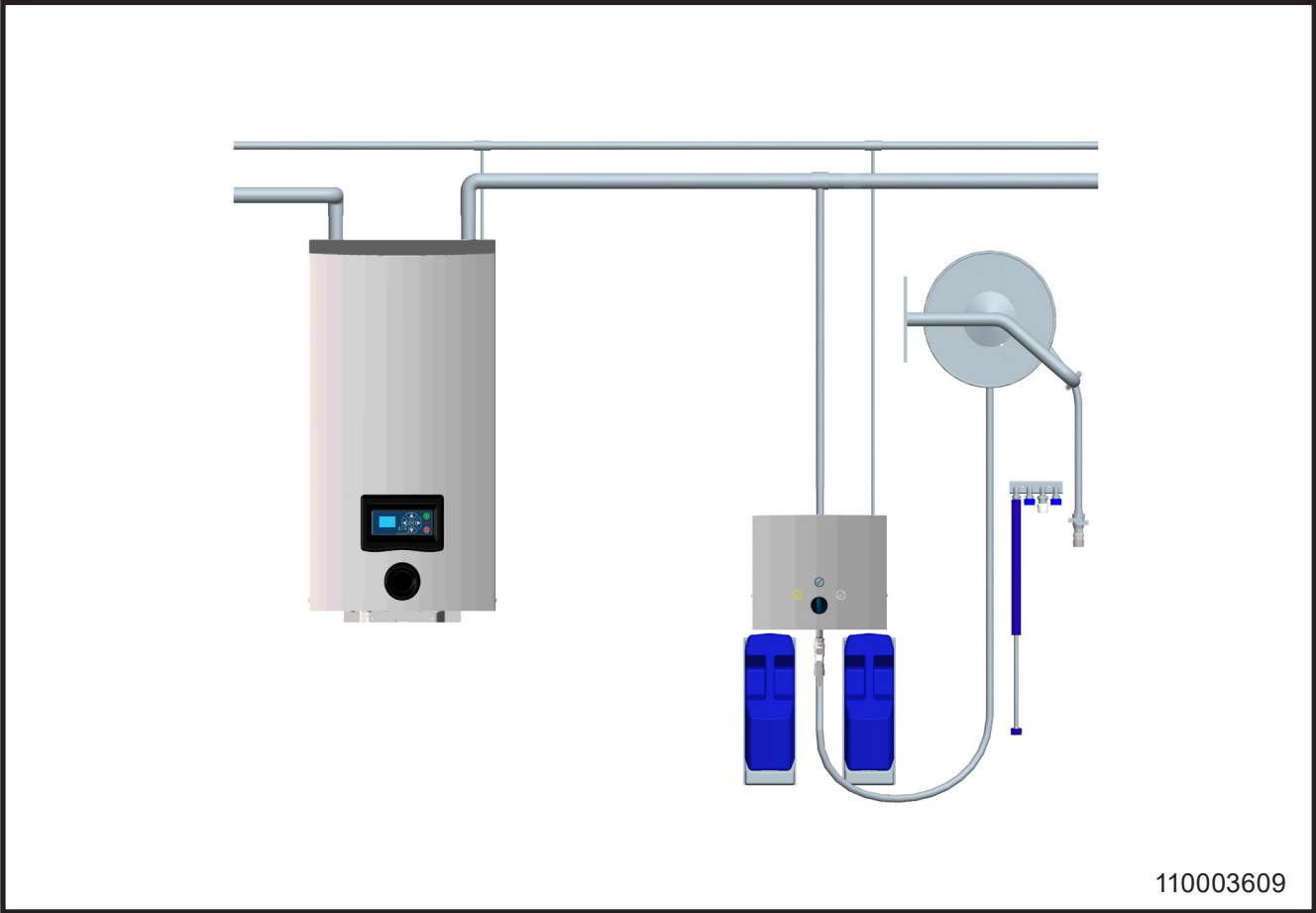
# Pump curve

BF8

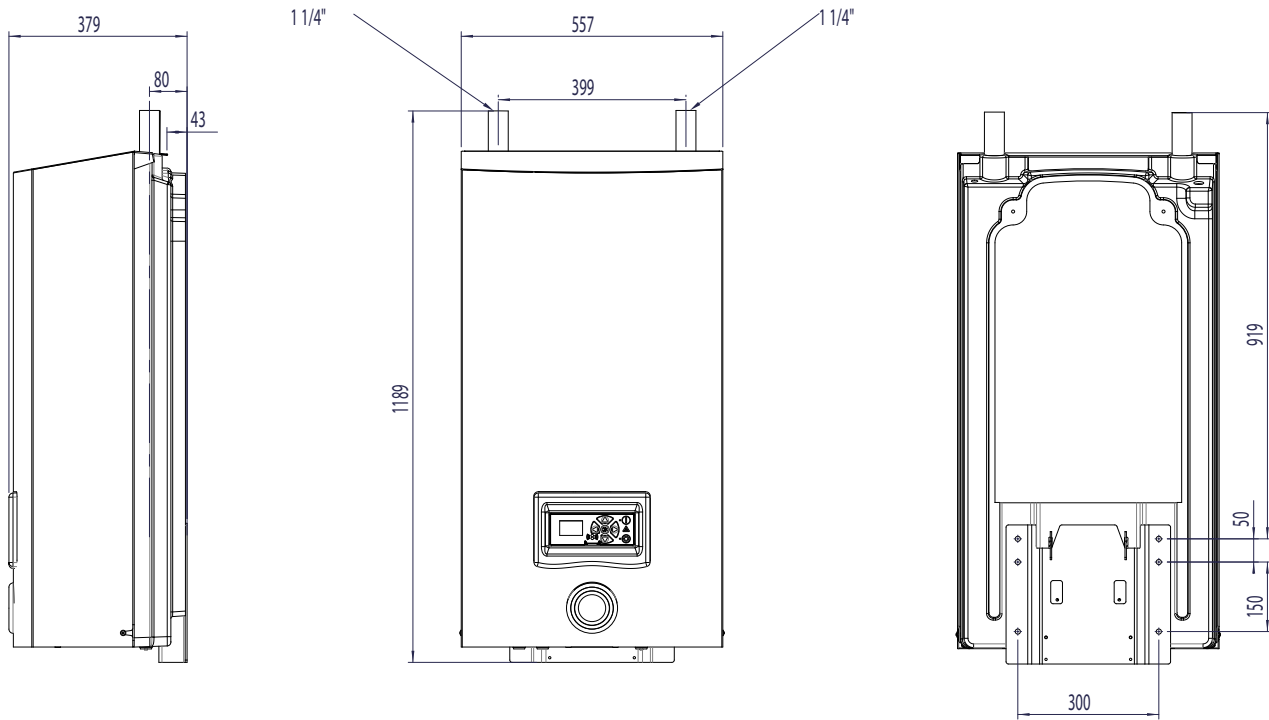


1100003038

### Installation



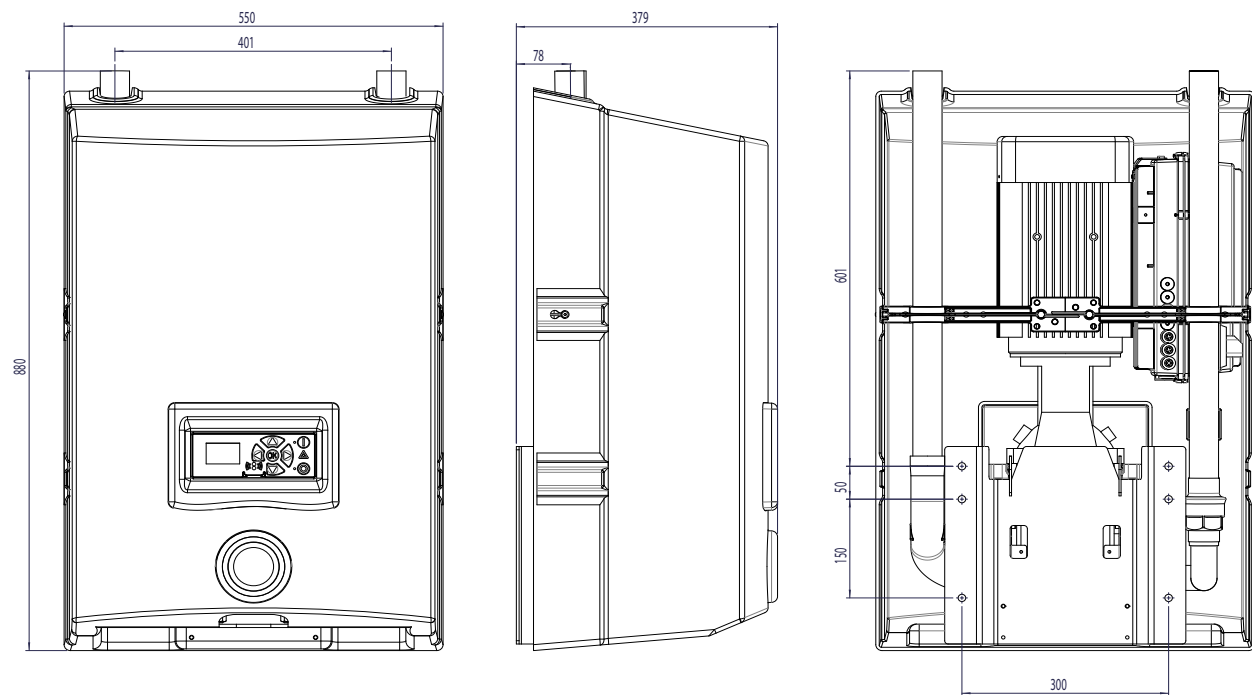
### Hybrid-P BW4 / Hybrid-P BW7



110003578

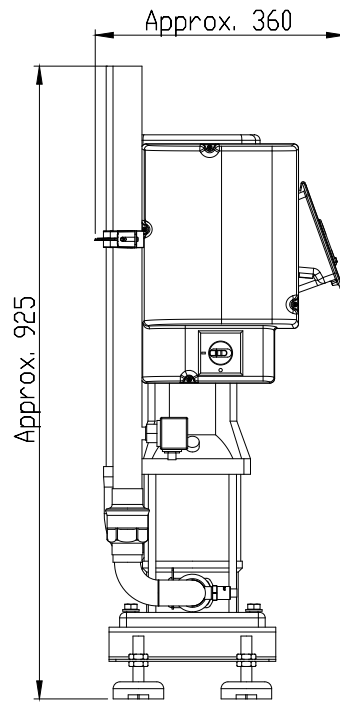
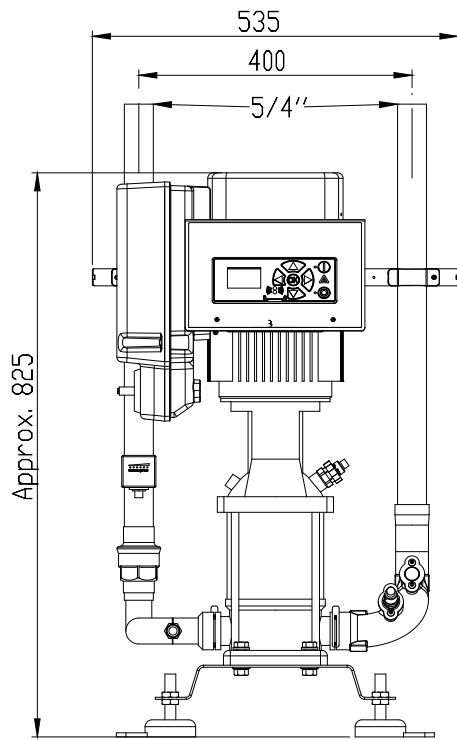
110003578

### Pegasus-P BW4

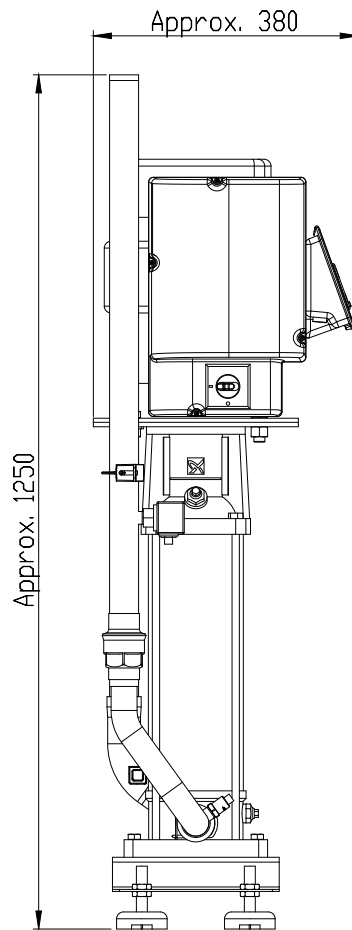
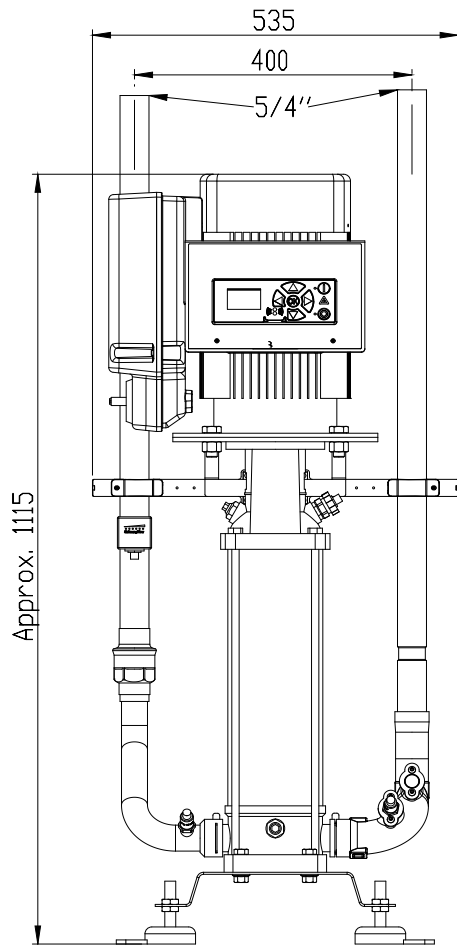


110003579

### Hybrid-P BF4



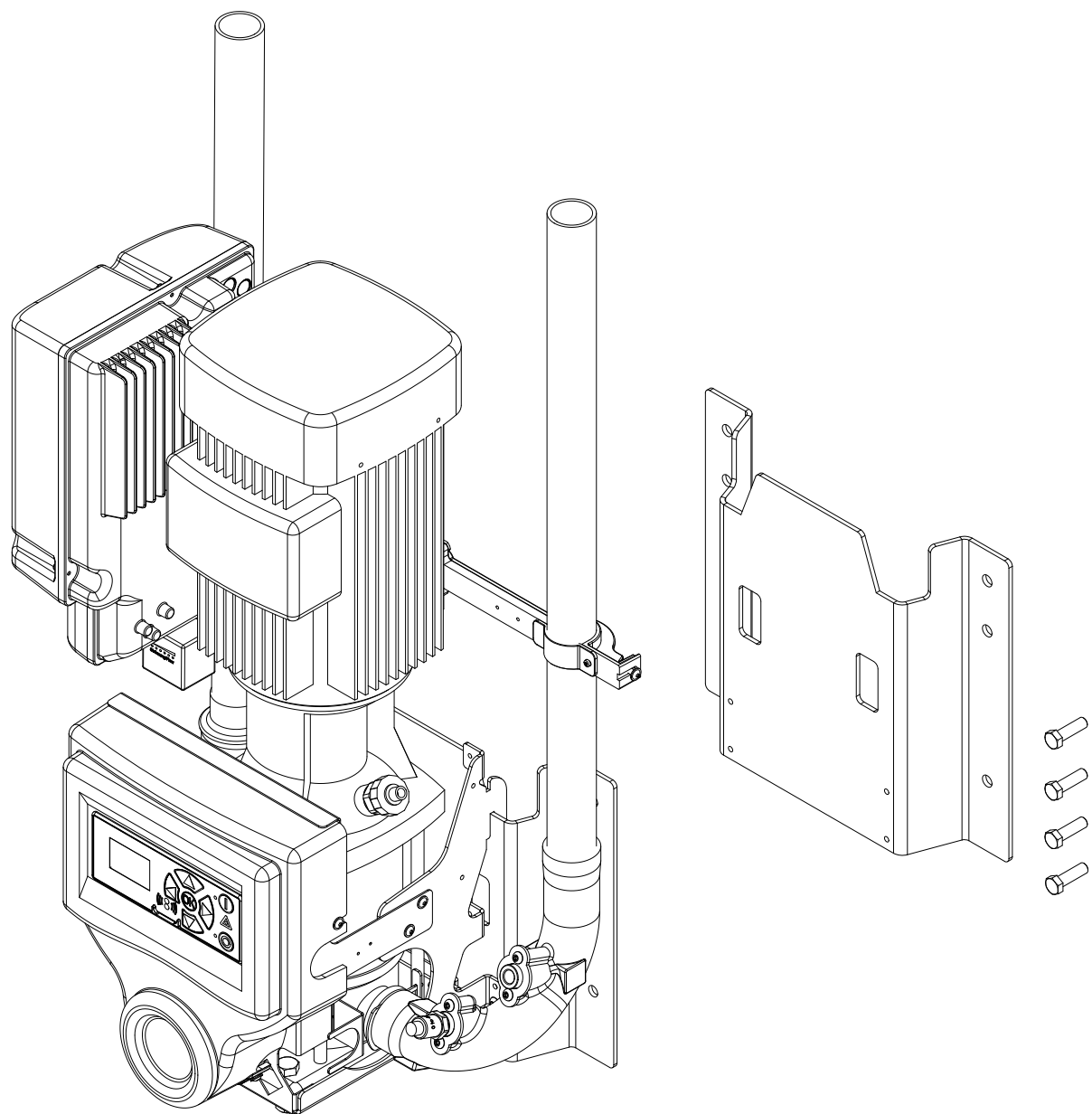
### Hybrid-P BF8



110008169

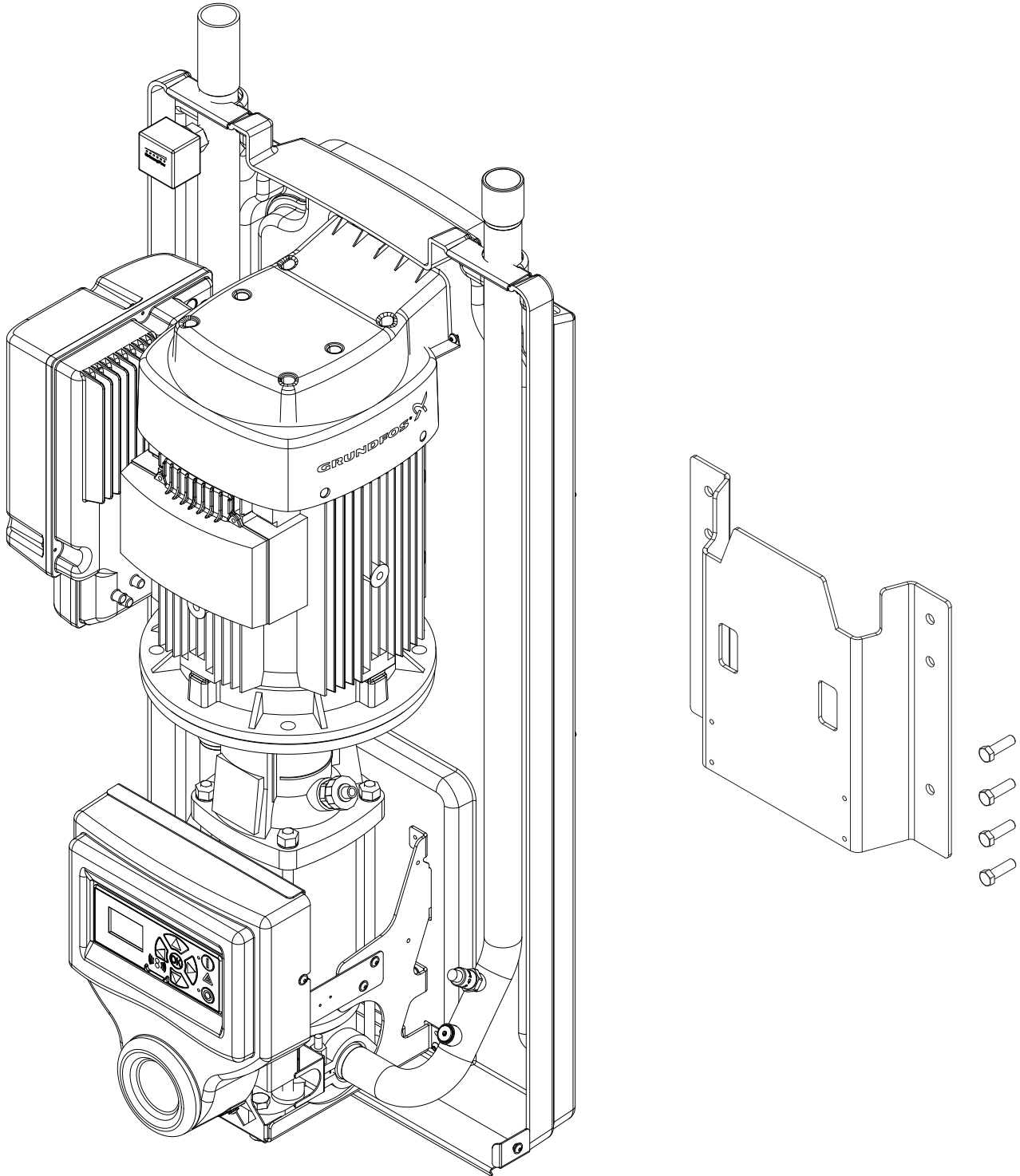


# Mounting - Pegasus-P BW4



110008170

## Mounting Hybrid BW4 / BW7

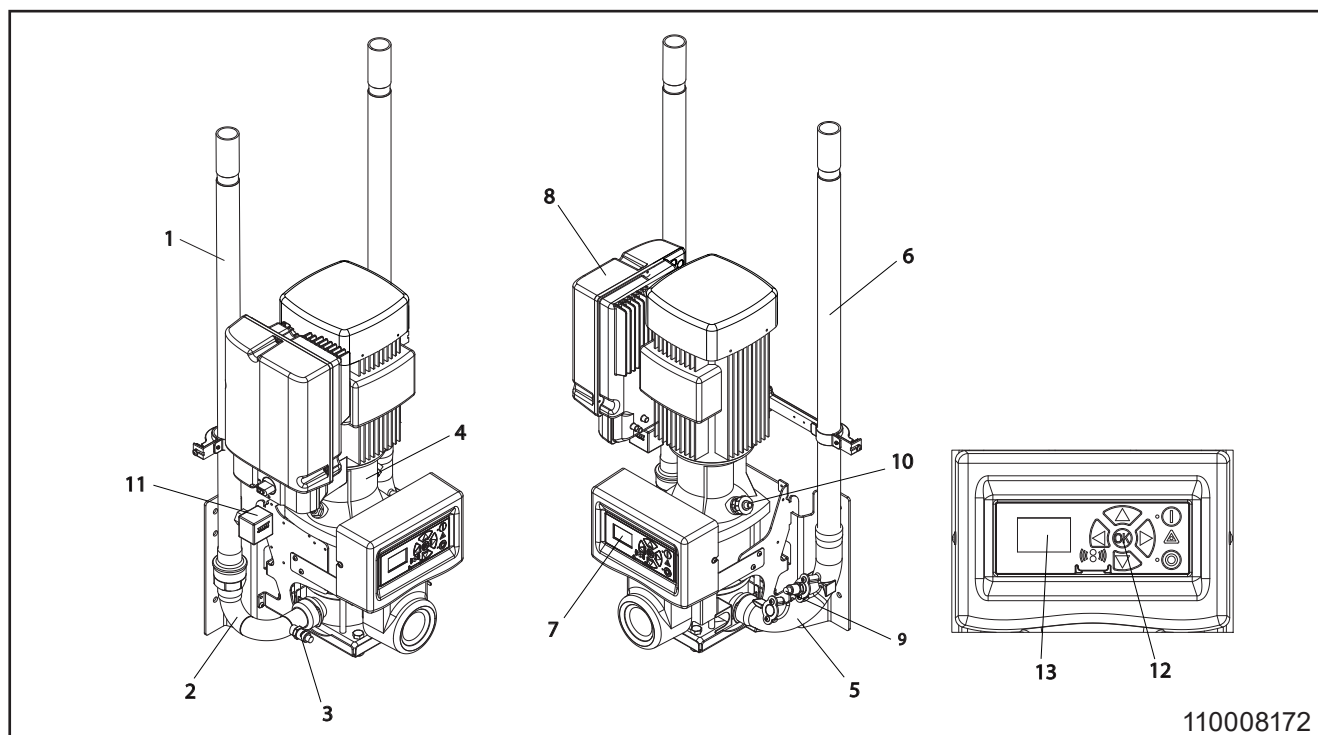




# Layout Pegasus

Pegasus-P BW4

## Pegasus-P BW4

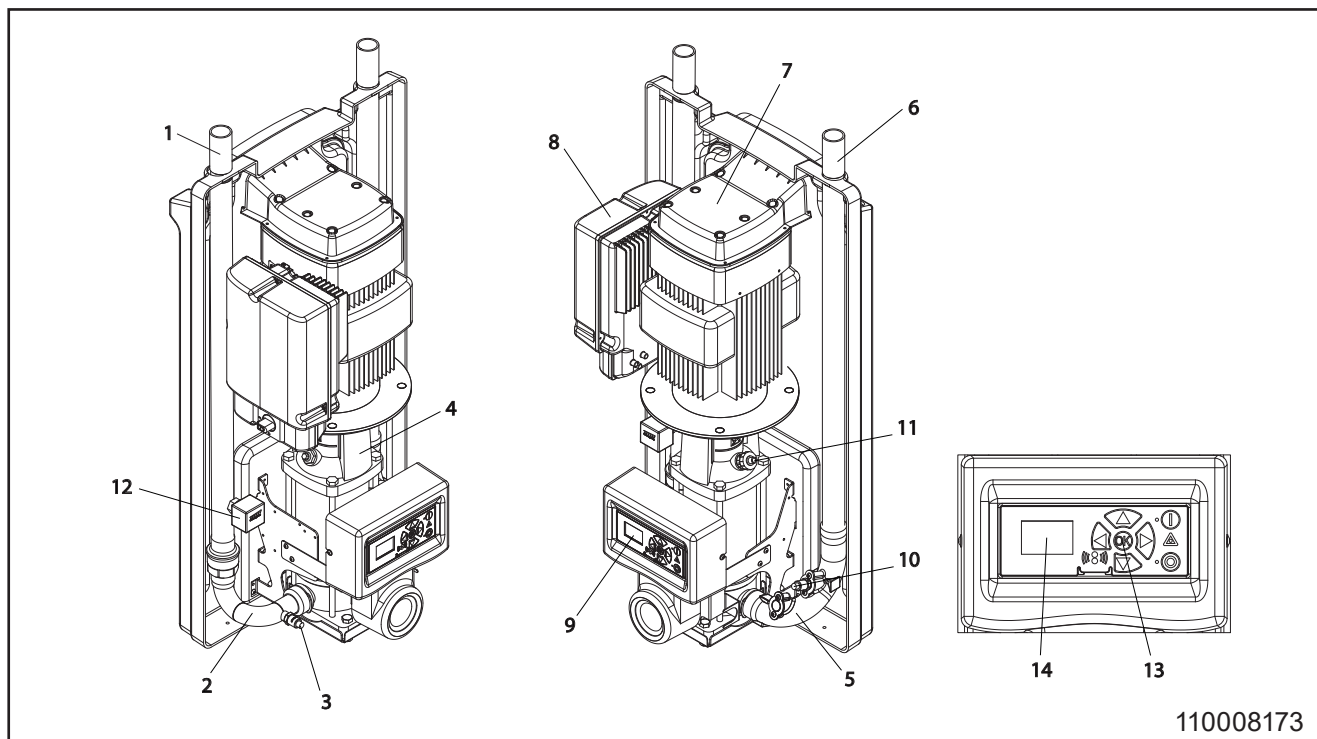


	English	German	French	Spanish
1	Water inlet	Wassereinlauf	Entrée d'eau	Entrada de agua
2	Inlet manifold	Einlaufverteiler	Collecteur entrée	Válvula de distribución de entrada
3	Pressure sensor	Drucksensor	Capteur de pression	Sensor de presión
4	Pump	Pumpe	Pompe	Bomba
5	Outlet manifold	Auslaufverteiler	Collecteur sortie	Válvula de distribución de salida
6	Outlet pipe	Auslaufrohr	Conduit sortie	Tubería de salida
7	Display	Display	Affichage	Visor
8	Controller	Regler	Contrôleur	Controlador
9	Pressure sensor	Drucksensor	Capteur de pression	Sensor de presión
10	Temperature sensor	Temperatursensor	Capteur de température	Sensor de temperatura
11	Flow switch	Durchflussschalter	Interrupteur de débit	Interruptor de caudal
12	Operation buttons (navigation)	Bedientasten (Navigation)	Boutons de commande (navigation)	Botones de operación (navegación)
13	Operation panel o: Push button stop I: Push button start Δ: Warning lamp	Bedientafel o: Drucktaste Stopp I: Drucktaste Start Δ: Warnlampe	Panneau de commande o : Bouton poussoir d'arrêt I: Bouton poussoir de démarrage Δ : Lampe d'avertissement	Panel del operador o: Botón de parada I: Botón de arranque Δ: Indicador lumínico de advertencia

# Layout Hybrid

Hybrid-P BW4 /BW7

## Hybrid-P BW4 /BW7



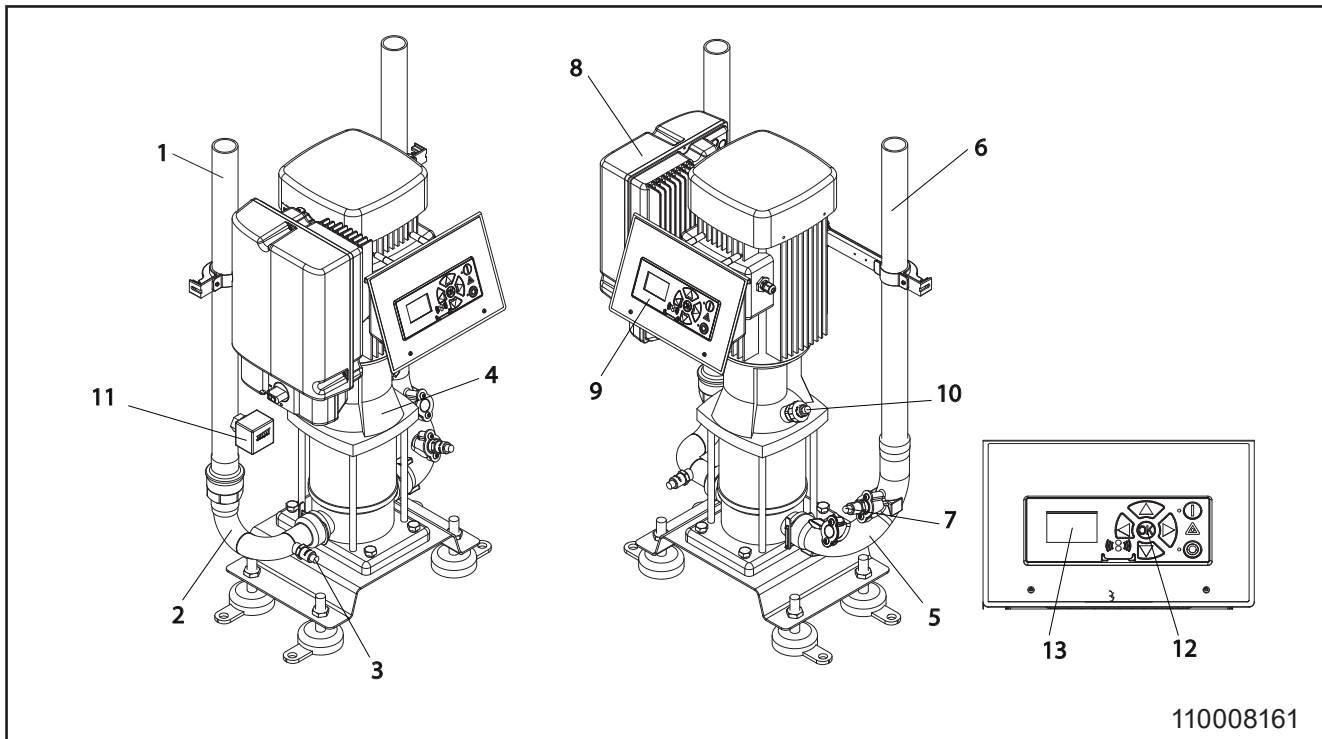
	English	German	French	Spanish
1	Water inlet	Wassereinlauf	Entrée d'eau	Entrada de agua
2	Inlet manifold	Einlaufverteiler	Collecteur entrée	Válvula de distribución de entrada
3	Pressure sensor	Drucksensor	Capteur de pression	Sensor de presión
4	Pump	Pumpe	Pompe	Bomba
5	Outlet manifold	Auslaufverteiler	Collecteur sortie	Válvula de distribución de salida
6	Outlet pipe	Auslaufrohr	Conduit sortie	Tubería de salida
7	Air inlet - cold air intake	Lufteinlass - Kaltlufteinlass	Entrée d'air - prise d'air froid	Entrada de aire – toma de aire frío
8	Controller	Regler	Contrôleur	Controlador
9	Display	Display	Affichage	Visor
10	Pressure sensor	Drucksensor	Capteur de pression	Sensor de presión
11	Temperature sensor	Temperatursensor	Capteur de température	Sensor de temperatura
12	Flow switch	Durchflussschalter	Interrupteur de débit	Interruptor de caudal
13	Operation buttons (navigation)	Bedientasten (Navigation)	Boutons de commande (navigation)	Botones de operación (navegación)
14	Operation panel o: Push button stop I: Push button start Δ: Warning lamp	Bedientafel o: Drucktaste Stopp I: Drucktaste Start Δ: Warnlampe	Panneau de commande o : Bouton poussoir d'arrêt I: Bouton poussoir de démarrage Δ : Lampe d'avertissement	Panel del operador o: Botón de parada I: Botón de arranque Δ: Indicador lumínico de advertencia

# Layout Hybrid

## Hybrid-P BF4



## Hybrid-P BF4

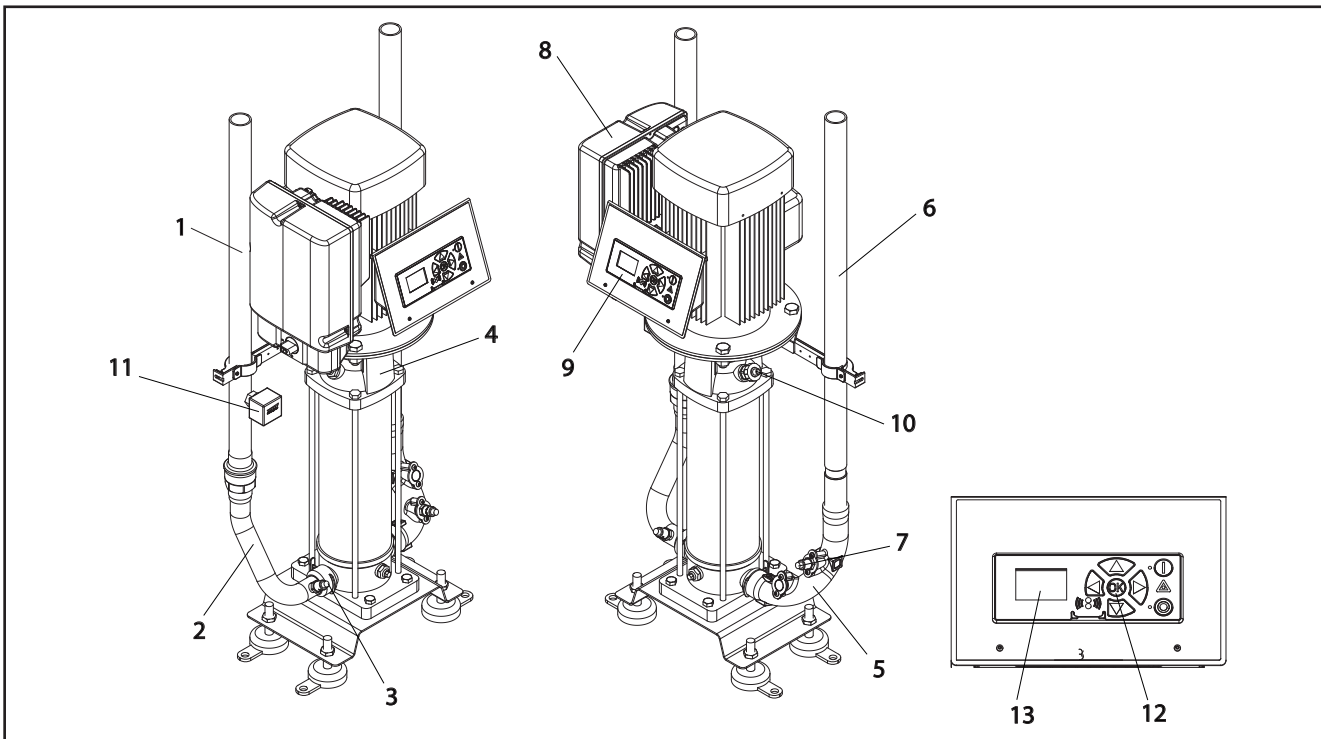


	English	German	French	Spanish
1	Water inlet	Wassereinlauf	Entrée d'eau	Entrada de agua
2	Inlet manifold	Einlaufverteiler	Collecteur entrée	Válvula de distribución de entrada
3	Pressure sensor	Drucksensor	Capteur de pression	Sensor de presión
4	Pump	Pumpe	Pompe	Bomba
5	Outlet manifold	Auslaufverteiler	Collecteur sortie	Válvula de distribución de salida
6	Outlet pipe	Auslaufrohr	Conduit sortie	Tubería de salida
7	Pressure sensor	Drucksensor	Capteur de pression	Sensor de presión
8	Controller	Regler	Contrôleur	Controlador
9	Display	Display	Affichage	Visor
10	Temperature sensor	Temperatursensor	Capteur de température	Sensor de temperatura
11	Flow switch	Durchflussschalter	Interrupteur de débit	Interruptor de caudal
12	Operation buttons (navigation)	Bedientasten (Navigation)	Boutons de commande (navigation)	Botones de operación (navegación)
13	Operation panel o: Push button stop l: Push button start Δ: Warning lamp	Bedientafel o: Drucktaste Stopp l: Drucktaste Start Δ: Warnlampe	Panneau de commande o : Bouton poussoir d'arrêt l: Bouton poussoir de démarrage Δ : Lampe d'avertissement	Panel del operador o: Botón de parada l: Botón de arranque Δ: Indicador lumínico de advertencia

# Layout Hybrid

## Hybrid-P BF8

## Hybrid-P BF8



110008162

	English	German	French	Spanish
1	Water inlet	Wassereinlauf	Entrée d'eau	Entrada de agua
2	Inlet manifold	Einlaufverteiler	Collecteur entrée	Válvula de distribución de entrada
3	Pressure sensor	Drucksensor	Capteur de pression	Sensor de presión
4	Pump	Pumpe	Pompe	Bomba
5	Outlet manifold	Auslaufverteiler	Collecteur sortie	Válvula de distribución de salida
6	Outlet pipe	Auslaufrohr	Conduit sortie	Tubería de salida
7	Pressure sensor	Drucksensor	Capteur de pression	Sensor de presión
8	Controller	Regler	Contrôleur	Controlador
9	Display	Display	Affichage	Visor
10	Temperature sensor	Temperatursensor	Capteur de température	Sensor de temperatura
11	Flow switch	Durchflussschalter	Interrupteur de débit	Interruptor de caudal
12	Operation buttons (navigation)	Bedientasten (Navigation)	Boutons de commande (navigation)	Botones de operación (navegación)
13	Operation panel o: Push button stop I: Push button start Δ: Warning lamp	Bedientafel o: Drucktaste Stopp I: Drucktaste Start Δ: Warnlampe	Panneau de commande o : Bouton poussoir d'arrêt I: Bouton poussoir de démarrage Δ : Lampe d'avertissement	Panel del operador o: Botón de parada I: Botón de arranque Δ: Indicador lumínico de advertencia

