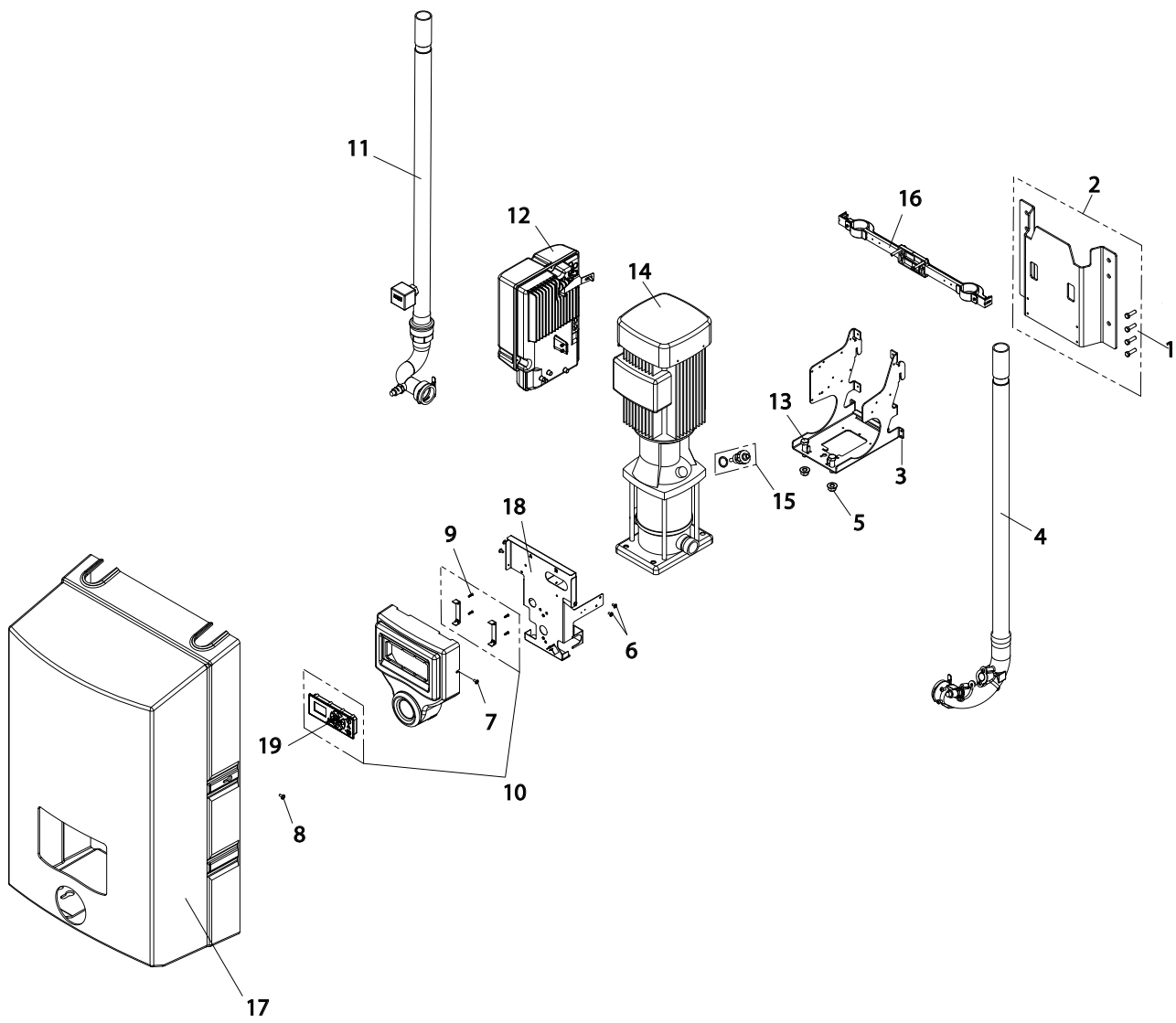


Recommended spare parts
Empfehlenswerte Ersatzteile
Pièces de rechange conseiées
Piezas de requesto recomendadas

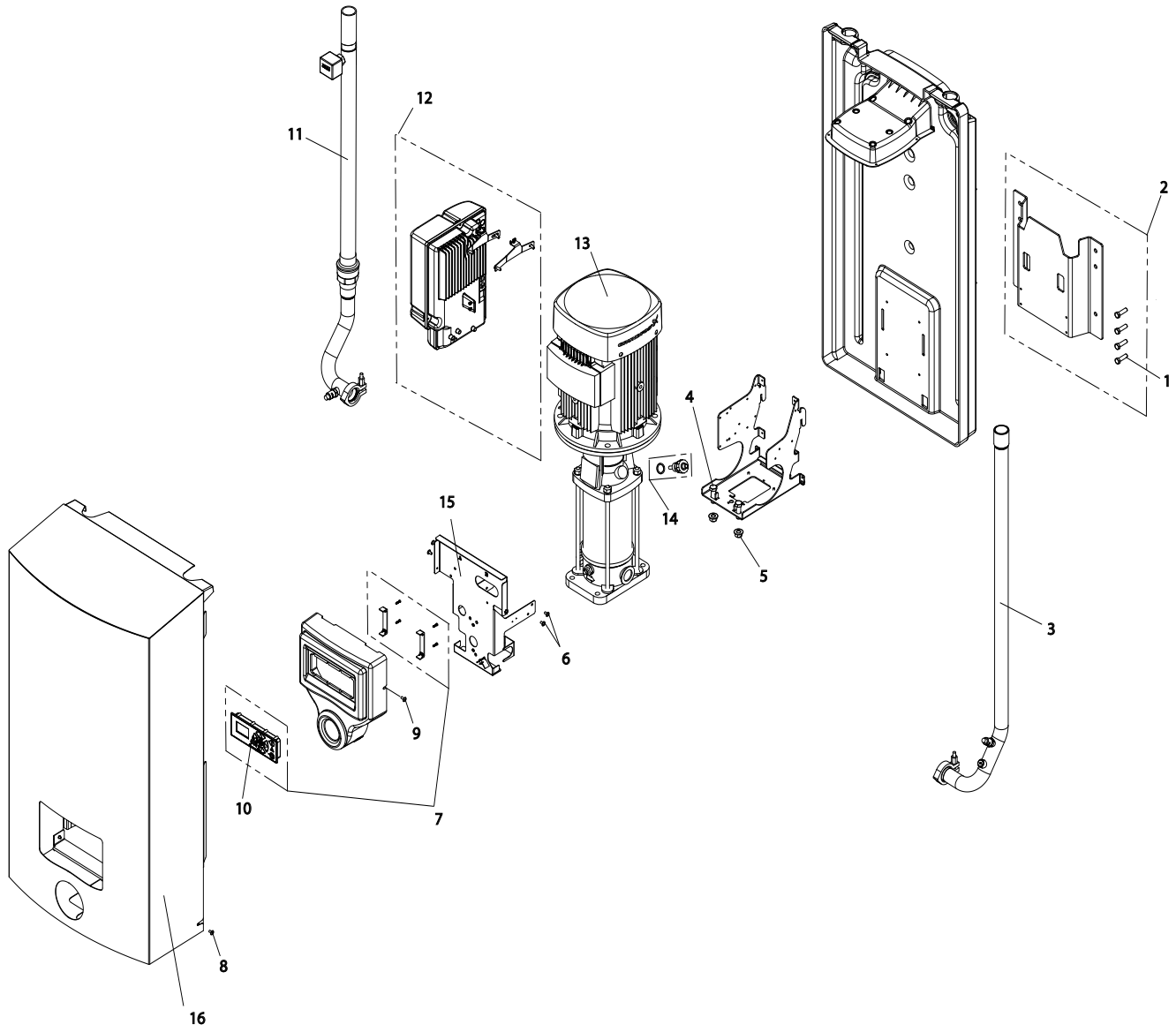
Pegasus-P BW4



110008163

Pos./Ref.	Nr. No.	Description	Pegasus-P BW4	Hybrid-P BW7	Hybrid-P BF4	Hybrid-P BF8	Hybrid-P BF8
1	110001463 (110001346)	Screw kit					
2	110001141	Wall bracket complete	1				
3	110001463 (0602100)	Screw kit					
4		See page 78					
5	110001463 (321700)	Screw kit					
6	110001463 (110007782)	Screw kit					
7	110001463 (110007782)	Screw kit					
8	110001463 (110007782)	Screw kit					
9	110001463 (110000574)	Screw kit					
10	110008189	Display	1				
11		See page 74					
12	110008187	Controller Kit	1	See page 68	See page 70	See page 70 - Serial no. 148.0X.XXXXXX	See page 72 - Serial no. 149.0X.XXXXXX
13	110001463 (156704)	Screw kit					
14	0604234	Pump	1				
15	110004713	Temperature sensor	1				
16		See page 84					
17	110005138	Cover	1				
18	110003646	Bracket	1				
19	110007874	Display	1				

Hybrid-P BW7



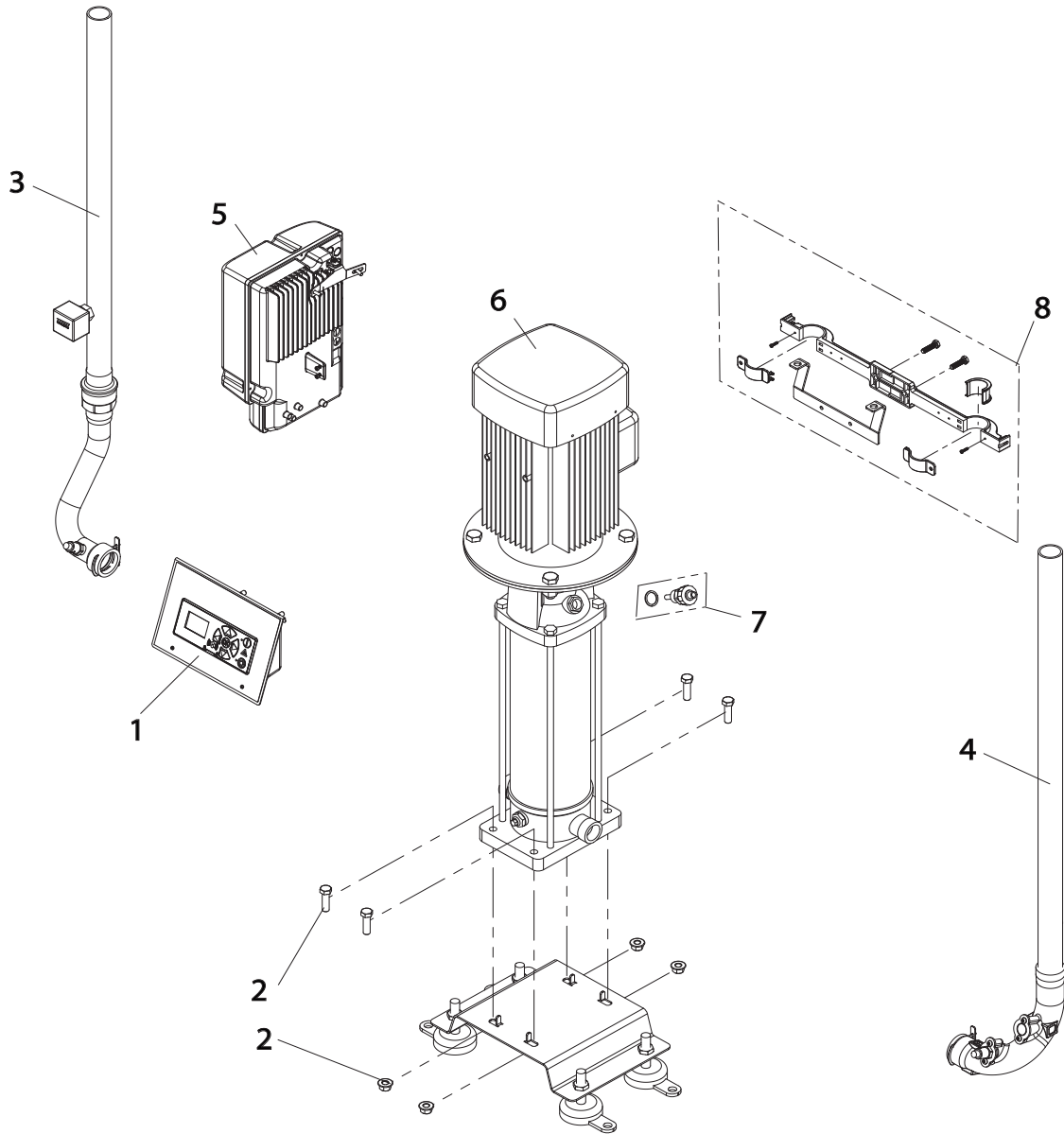
110008164

Pos./Ref.	Nr. No.	Description	Pegasus-P BW4	Hybrid-P BW7	Hybrid-P BF4	Hybrid-P BF8	Hybrid-P BF8
1	110001463 (110001346)	Screw kit					
2	110001141	Wall bracket		1			
3		See page 80					
4	110001463 (156704)	Screw kit					
5	110001463 (321700)	Screw kit					
6	110001463 (110007782)	Screw kit					
7	110008189	Display complete		1			
8	110001463 (110007782)	Screw kit					
9	110001463 (110007782)	Screw kit					
10	110007874	Display	See page 66	1	See page 70		
11		See page 76					
12	110008187	Controller Kit		1			
13	0604232	Pump		1			
13	0604234	Pump		1			
14	110004713	Temperature sensor		1			
15	110003646	Bracket		1			
16	110003325	Cover		1			

Hybrid-P BF8

Serial no. 148.0X.XXXXXX

Hybrid-P BF4

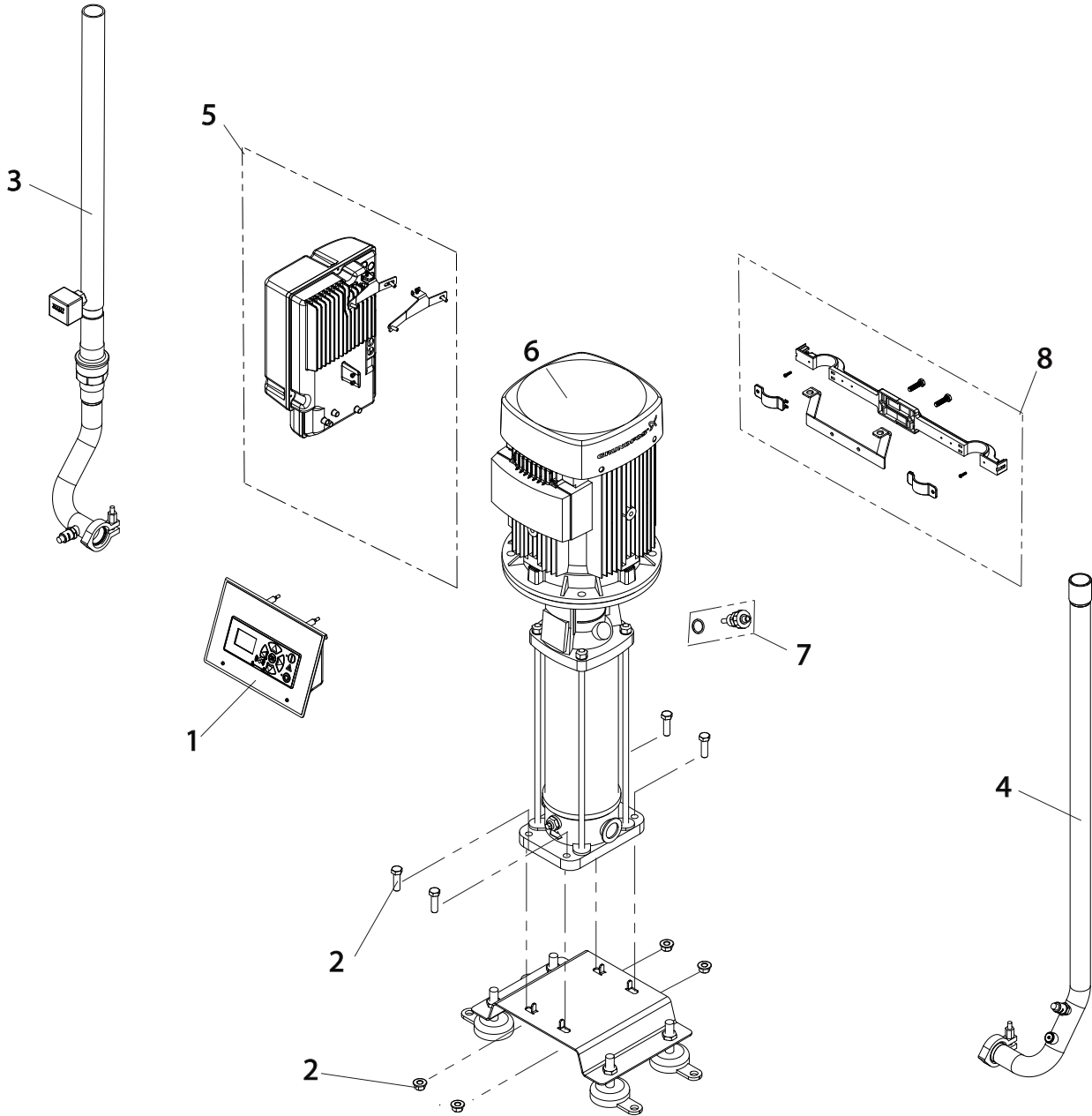


110008165

Pos./Ref.	Nr. No.	Description	Pegasus-P BW4	Hybrid-P BW7	Hybrid-P BF4	Hybrid-P BF8	Hybrid-P BF8
1		See page 82					
2	110001143 (156704)	Screw kit for pump					
3		See page 74					
4		See page 78					
5	110008187	Controller Kit			1	1	
6	0604234	Pump			1		
6	110000373	Pump				1	
7	110004713	Temperature sensor					
8		See page 84					
			See page 66	See page 68			See page 72 - Serial no. 149.0X.XXXXXX

Hybrid-P BF8

Serial no. 149.0X.XXXXXX

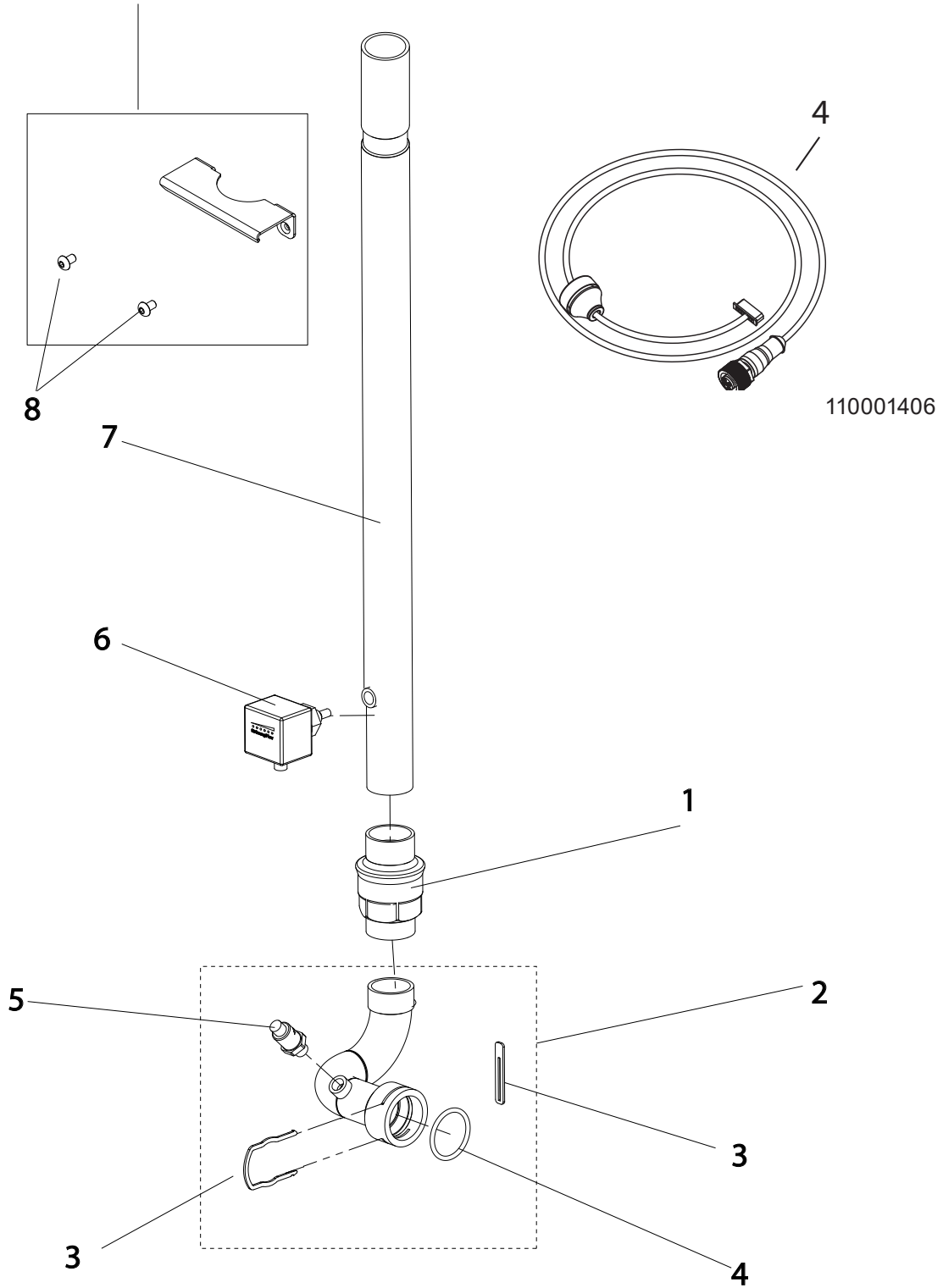


110007221

Pos./Ref.	Nr. No.	Description	Pegasus-P BW4	Hybrid-P BW7	Hybrid-P BF4	Hybrid-P BF8	Hybrid-P BF8
1		See page 82					
2	110001143 (156704)	Screw kit for pump					
3		See page 76					
4		See page 80					
5	110008187	Controller Kit					
6	110007206	Pump					
7	110004713	Temperature sensor					
8		See page 84					
			See page 66	See page 68	See page 70	See page 70 - Serial no. 148.0X.XXXXX	1 1 1

Inlet pipe

Serial no. 148.0X.XXXXXX

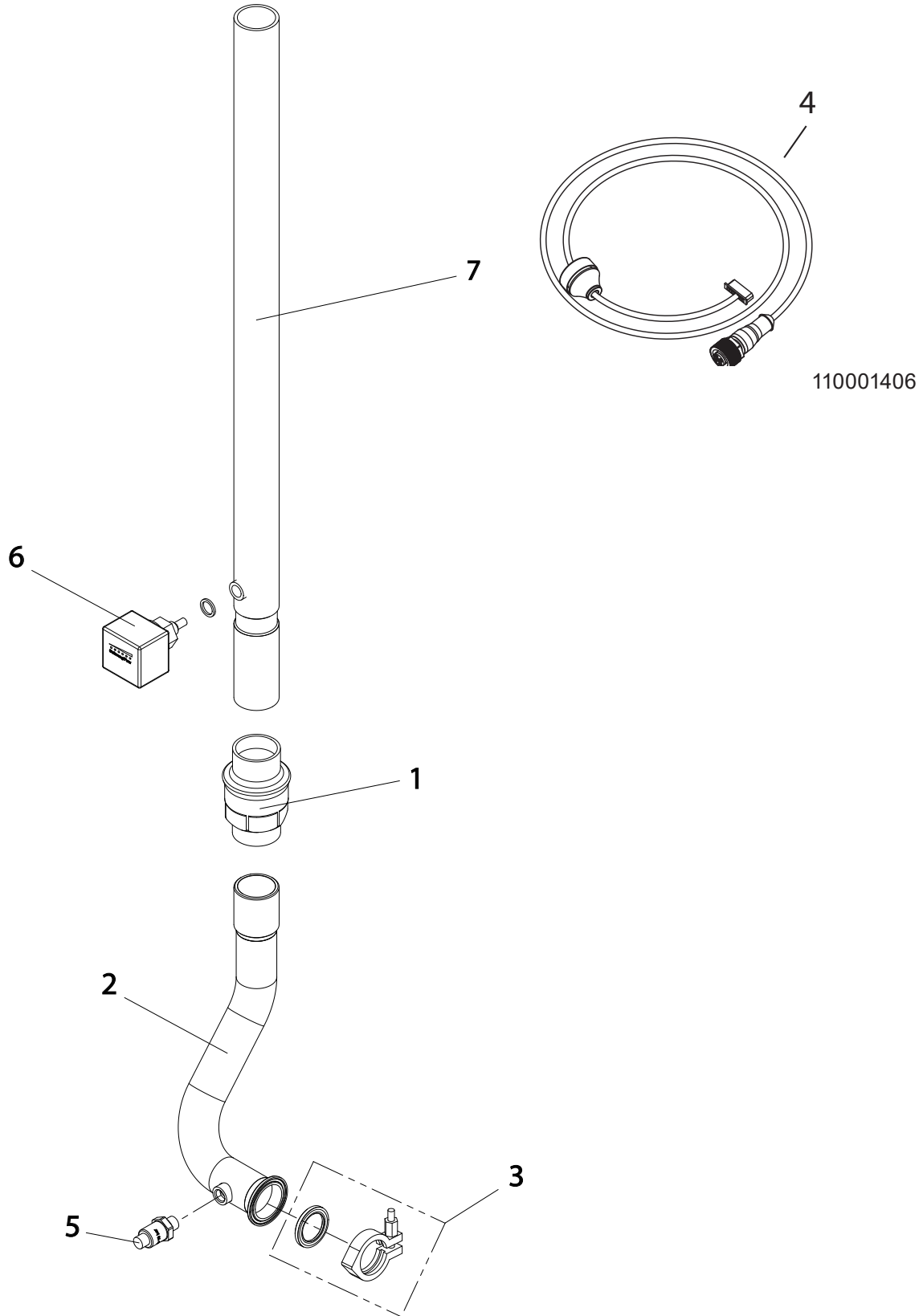


110001270

Pos./Ref.	Nr. No.	Description	Pegasus-P BW4	Hybrid-P BW7	Hybrid-P BF4	Hybrid-P BF8	Hybrid-P BF8
1	630900	Non return valve	1		1	1	
2	110001240	Inlet manifold	1		1		
2	110002664	Inlet manifold				1	
3	110001250	Split kit	1		1	1	
4	110008188	Sensor cable	1		1		
5	110000889	Sensor	1		1	1	
6	110000963	Flow switch	1		1	1	
7	110001462 (603700)	O-ring kit					
8	110001312	Inlet pipe					
8	110002662	Inlet pipe			1	1	
8	110006177	Inlet pipe	1				
				See page 76 - Serial no. 149.0X.XXXXXXX			See page 76 - Serial no. 149.0X.XXXXXXX

Inlet pipe

Serial no. 149.0X.XXXXXX



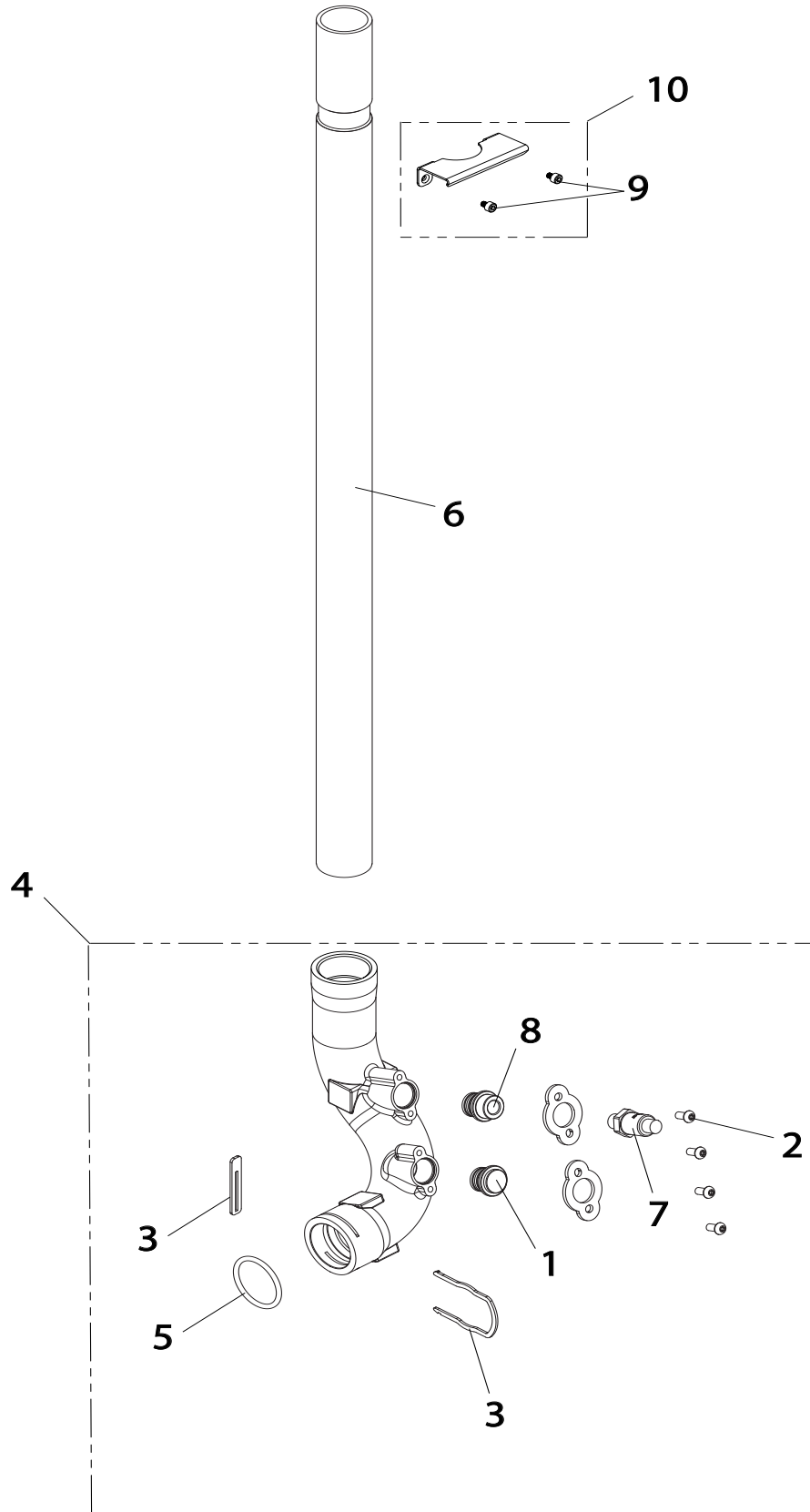
110001406

110008287

Pos./Ref.	Nr. No.	Description	Pegasus-P BW4	Hybrid-P BW7	Hybrid-P BF4	Hybrid-P BF8	Hybrid-P BF8
1	630900	Non return valve		1			1
2	110004913	Piping inlet		1			1
3	110005273	Clamp kit		1			1
4	110008188	Sensor cable		1			1
5	110000889	Sensor		1			1
6	110000963	Flow switch		1			1
7	110008306	Inlet pipe		1			1
			See page 74		See page 74	See page 74 - Serial no. 148.0X.XXXXXX	

Outlet pipe

Serial no. 148.0X.XXXXXX

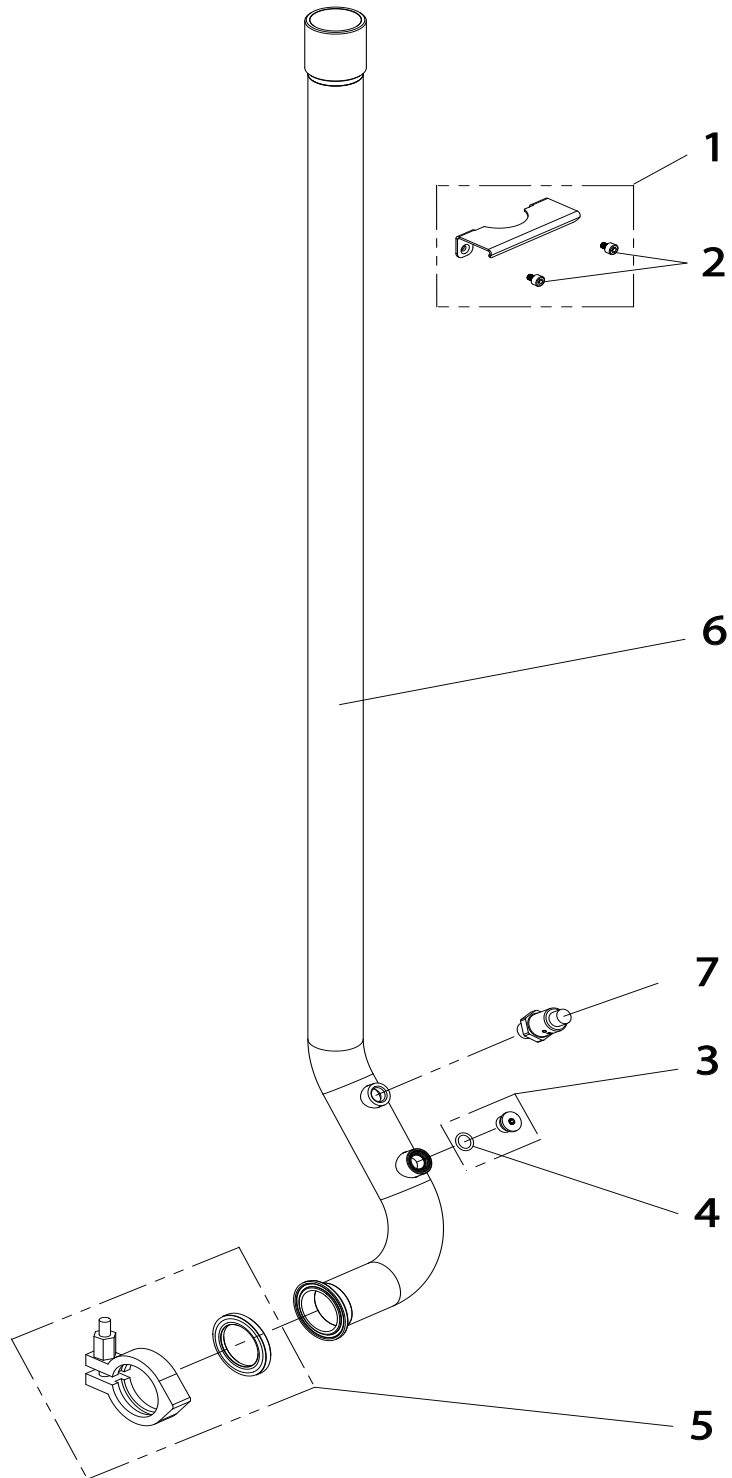


110008166

Pos./Ref.	Nr. No.	Description	Pegasus-P BW4	Hybrid-P BW7	Hybrid-P BF4	Hybrid-P BF8	Hybrid-P BF8
1	110001145	Plug	2		2	2	
2	110001463 (0602094)	Screw kit					
3	110005273	Split kit	1		1	1	
4	110008190	Outlet manifold complete	1		1	1	
5	110001462 (603700)	O-ring kit					
6	0603328	Outlet pipe				1	
6	110006174	Outlet pipe	1		1		
7	110000890	Pressure sensor	1		1	1	
8	0664316	Nipple	1		1	1	
9	110001463 (110007782)	Screw kit	1				
10	110005280	Bracket	1				
				See page 80 - Serial no. 149.0X.XXXXXXX			See page 80 - Serial no. 149.0X.XXXXXXX

Outlet pipe

Serial no. 149.0X.XXXXXX

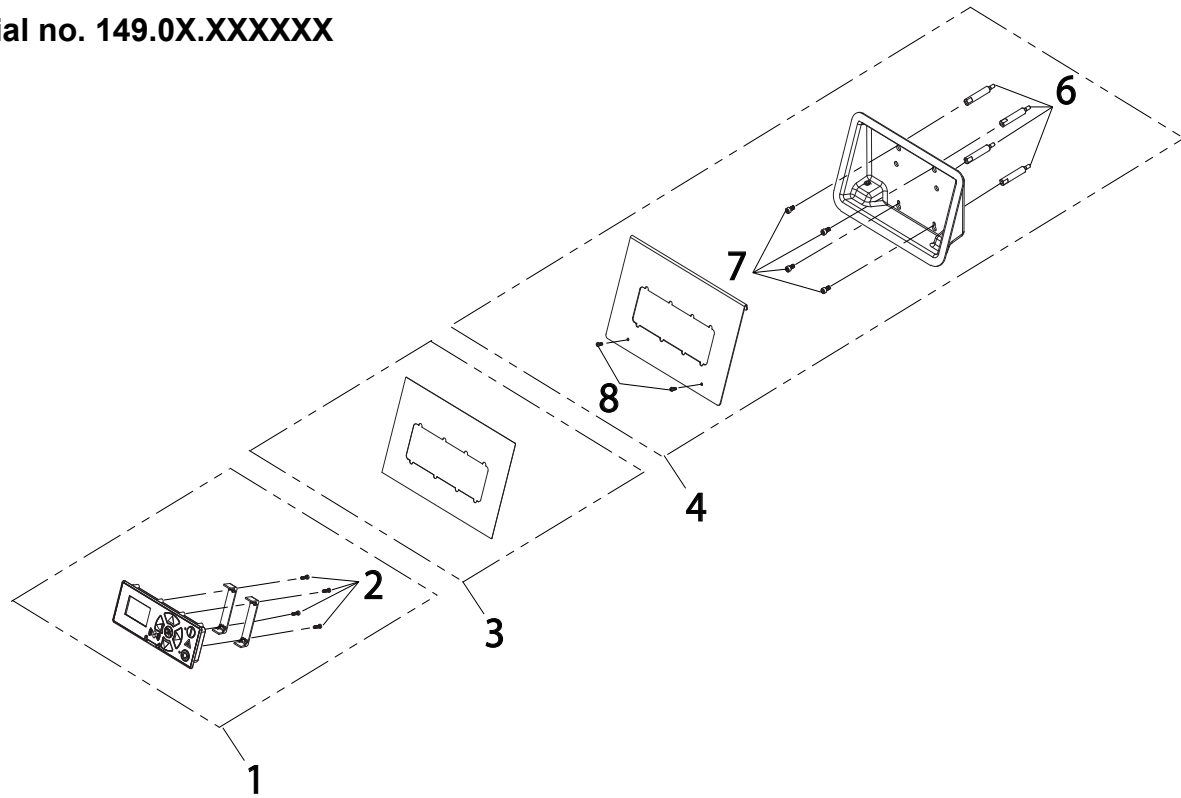


110008351

Pos./Ref.	Nr. No.	Description	Pegasus-P BW4	Hybrid-P BW7	Hybrid-P BF4	Hybrid-P BF8	Hybrid-P BF8
1	110005280	Bracket	See page 78	1	See page 78	See page 78 - Serial no. 148.0X.XXXXXX	1
2	110001463 (110007782)	Screw kit					
3	110002306	Plug		1			
4	110001463 (110002952)	O-ring Kit		1			
5	110005273	Clamp Kit		1			
6	110008292	Outlet pipe		1			
7	110000890	Pressure sensor		1			

Hybrid-P BF8

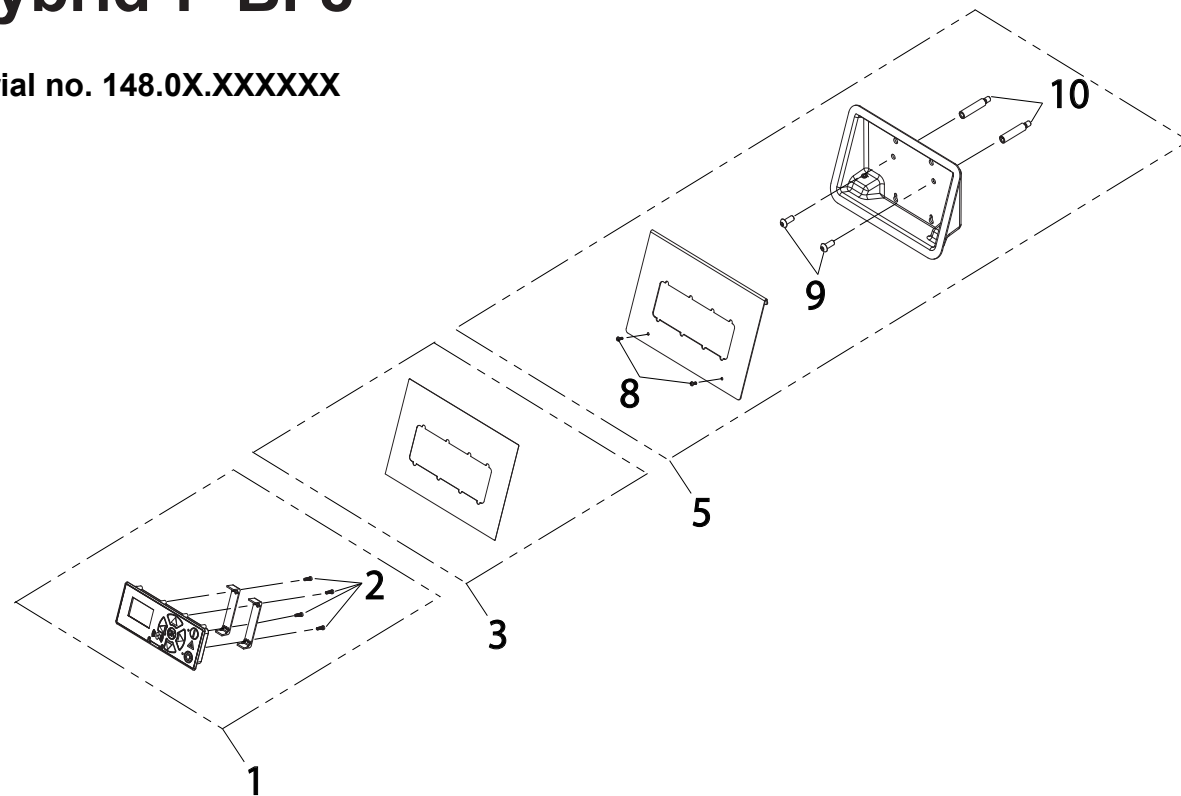
Serial no. 149.0X.XXXXXX



Hybrid-P BF4

Hybrid-P BF8

Serial no. 148.0X.XXXXXX

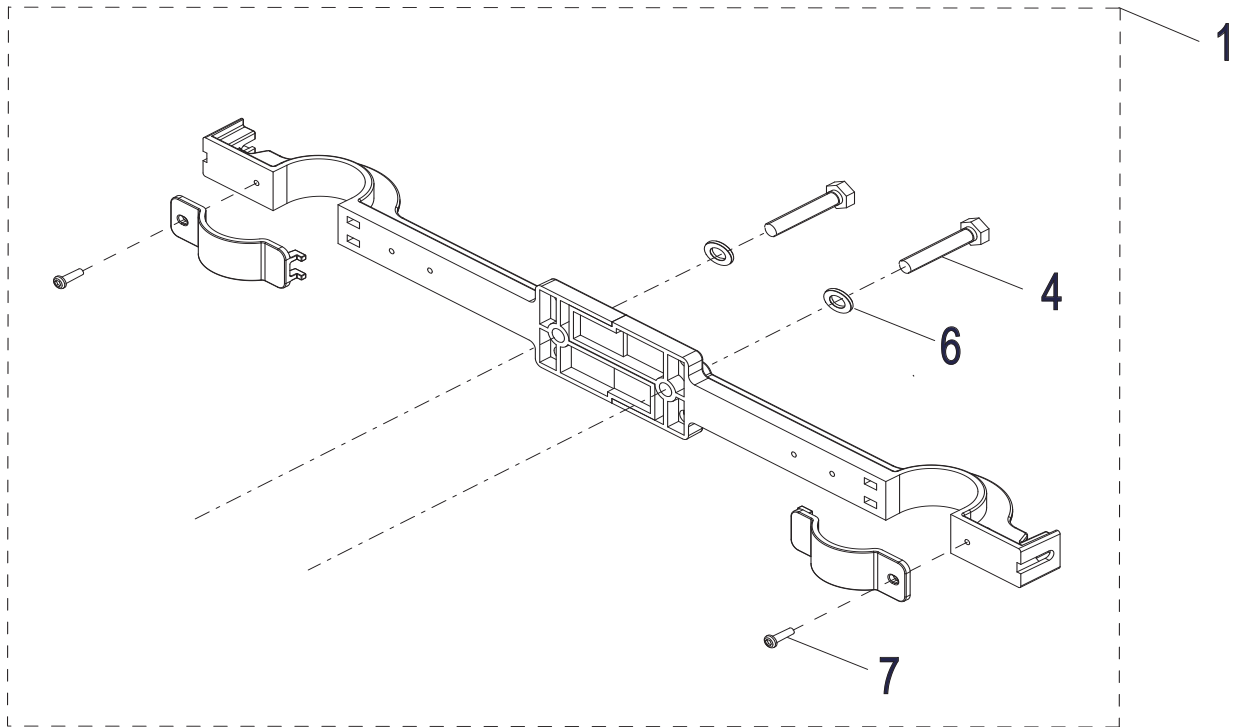


110008167

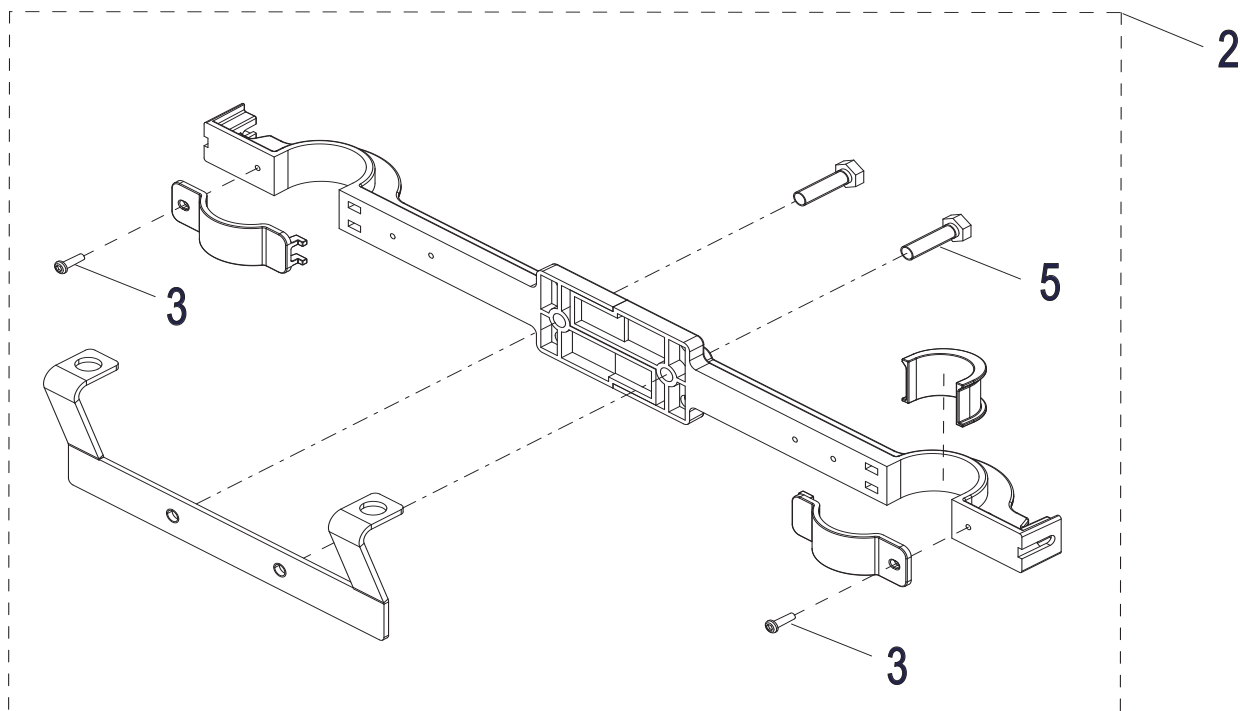
Pos./Ref.	Nr. No.	Description	Pegasus-P BW4	Hybrid-P BW7	Hybrid-P BF4	Hybrid-P BF8	Hybrid-P BF8
1	110008189	Display complete			1	1	1
2	110001463 (110000574)	Screw kit					
3	110001468	Label kit			1	1	1
4	110008249	Frame complete BF8 / BF4			1		1
5	110008250	Frame complete BF8				1	
6	110001463 (110008138)	Screw kit					
7	110001463 (0600009)	Screw kit					
8	110001463 (0602045)	Screw kit					
9	110001463 (0602072)	Screw kit	See page 66	See page 68			
10	110001463 (110008034)	Screw kit					

Pipe holder system

Hybrid-P BW4 / BF4



Hybrid-P BF8 Serial no. 148.0X.XXXXXXX + 149.0X.XXXXXXX

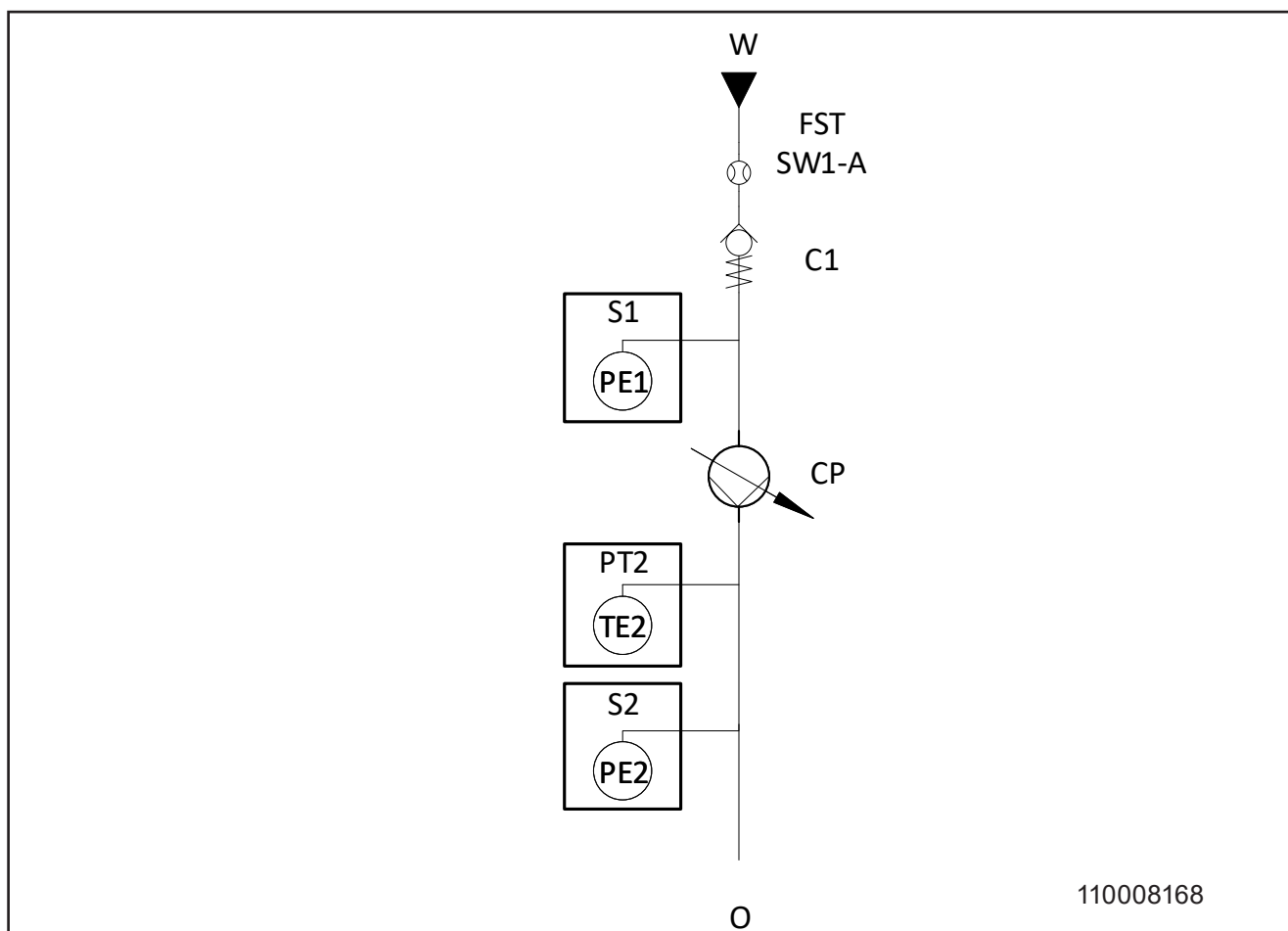


110003710

Pos./Ref.	Nr. No.	Description	Pegasus-P BW4	Hybrid-P BW7	Hybrid-P BF4	Hybrid-P BF8	Hybrid-P BF8
1	110000221	Pipe rack complete	1	1			
2	110000222	Pipe rack complete					
3	110001463 (110000574)	Screw kit					
4	110001463 (156407)	Screw kit					
5	110001463 (156509)	Screw kit					
6	110003512 (156402)	Screw kit					
7	110003512 (110000574)	Screw kit					
						1	1

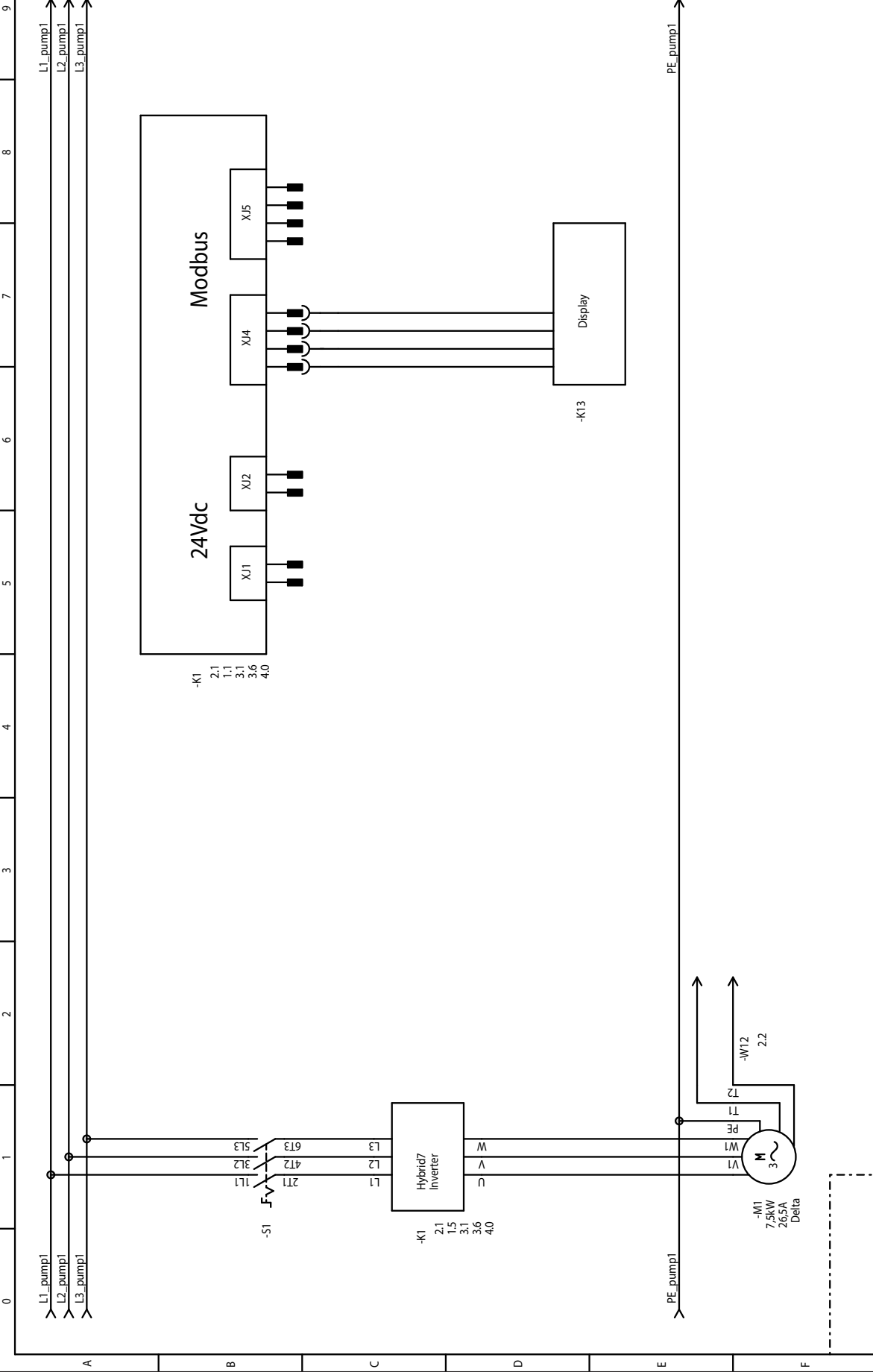
Operating Diagrams

Pegasus-P BW4, Hybrid-P BW7 Hybrid-BF4, Hybrid-BF8



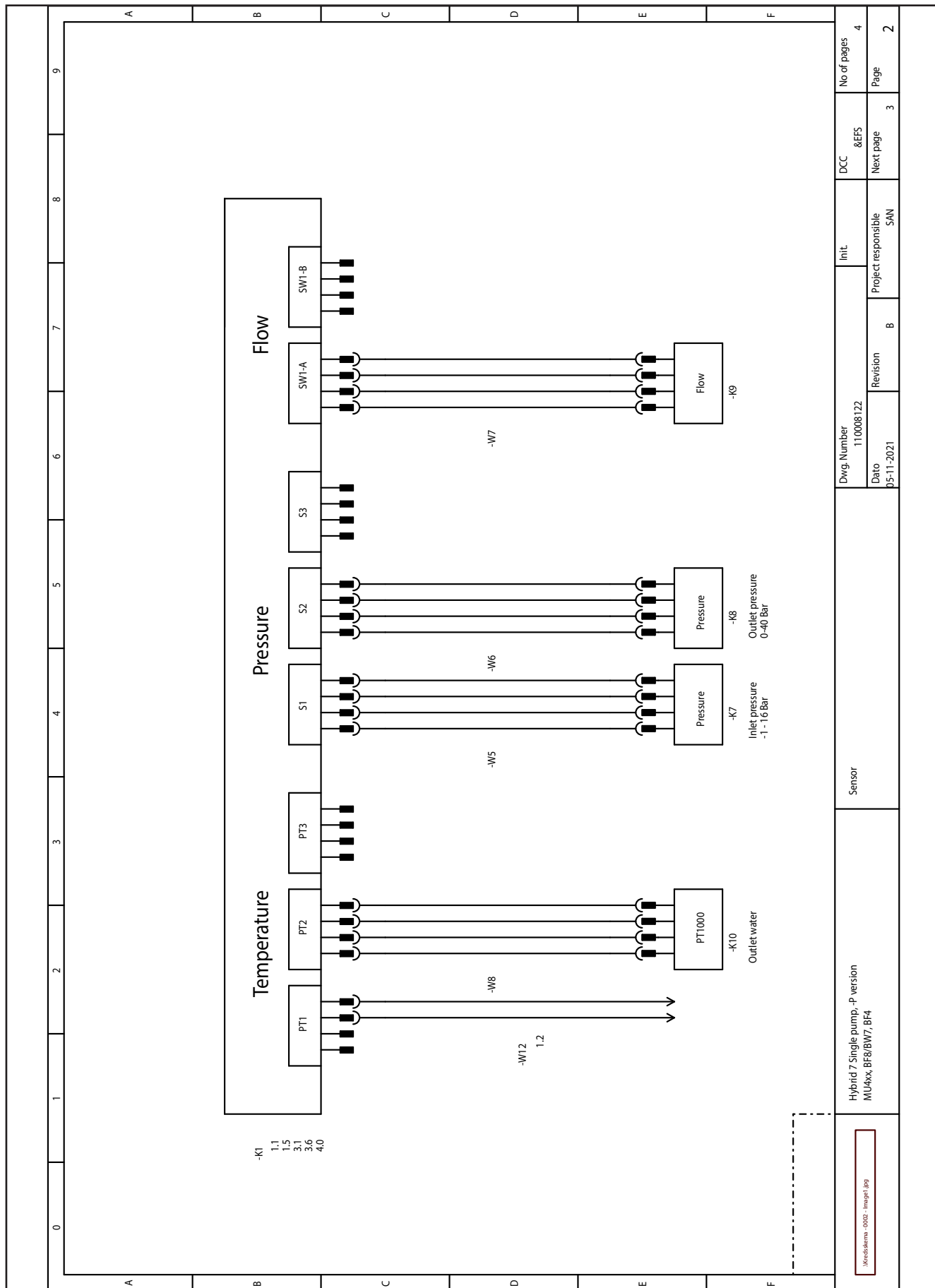
	English	Deutsch	Français	Español
C	Check valve	Rückschlagventil	Clapet anti-retour	Válvula de retención
CP	Centrifugal pump	Kreiselpumpe	Pompe centrifuge	Bomba centrífuga
FST	Flow sensor and -trigger	Durchflusssensor und-auslöser	Capteur de débit et de déclenchement	Sensor de caudal y de activación
O	Outlet	Auslauf	Évacuation	Salida
PE	Presssure sensor	Drucksensor	Capteur de pression	Sensor de presión
PT2	Inverter board connection	Inverter board connection	Inverter board connection	Inverter board connection
S1,S2	Inverter board connection	Inverter board connection	Inverter board connection	Inverter board connection
SW1-A	Inverter board connection	Inverter board connection	Inverter board connection	Inverter board connection
TE	Temperature switch	Temperaturschalter	Interrupteur thermostatique	Interruptor de temperatura
W	Water inlet	Wassereinlauf	Entrée d'eau	Entrada de agua

Electrical diagram



Dwg. Number 110008122		Init.		DCC		No of pages	
Date 05-11-2021		Revision B		Project responsible SAN		Next page	
						Page	
						1	
Power and communication				Hybrid 7 Single pump, -P version MU4xx, BF8/BW7, BF4			
.Xredskema-0001 - Image1.jpg							

Sensor diagram



3kred:schema-0002 - Image1.BPG

Hybrid 7 Single pump, P version
MU4xx, BF8/BW7, BF4

Sensor

Dwg. Number: 110008122

Init.

No of pages 4

Dato 05-11-2021

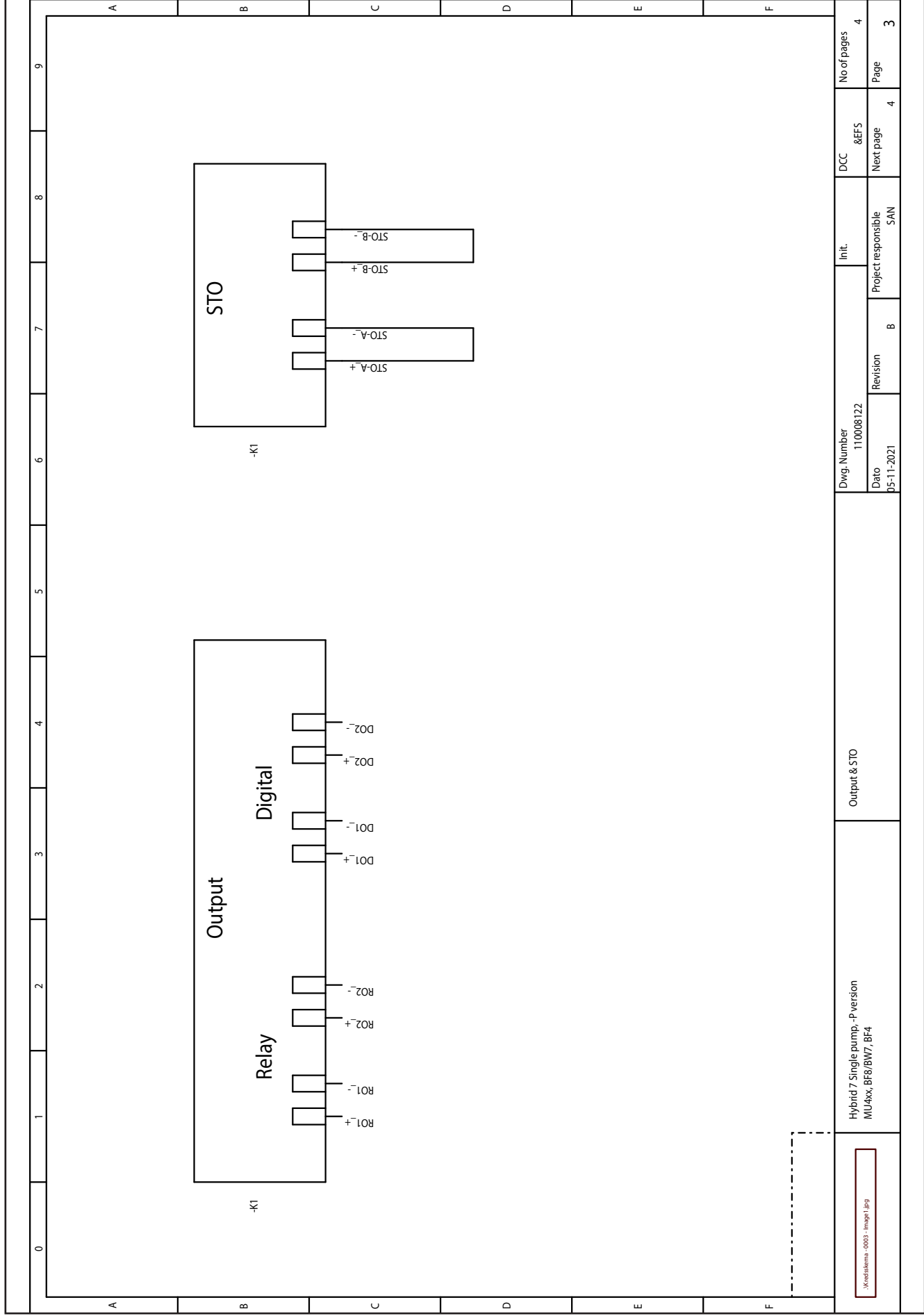
Revision B

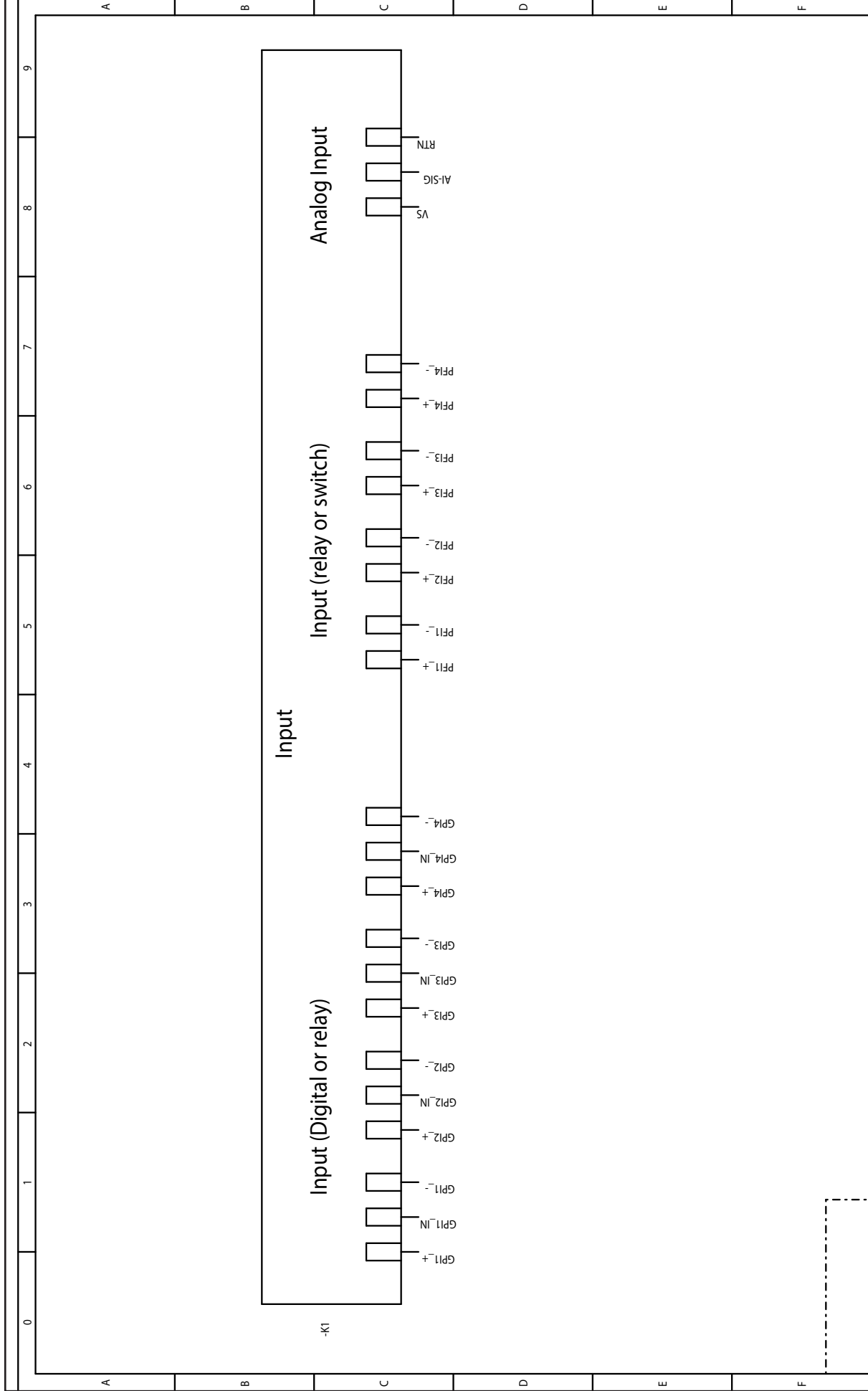
Project responsible SAN

DCC &EFS

Next page 3

Page 2

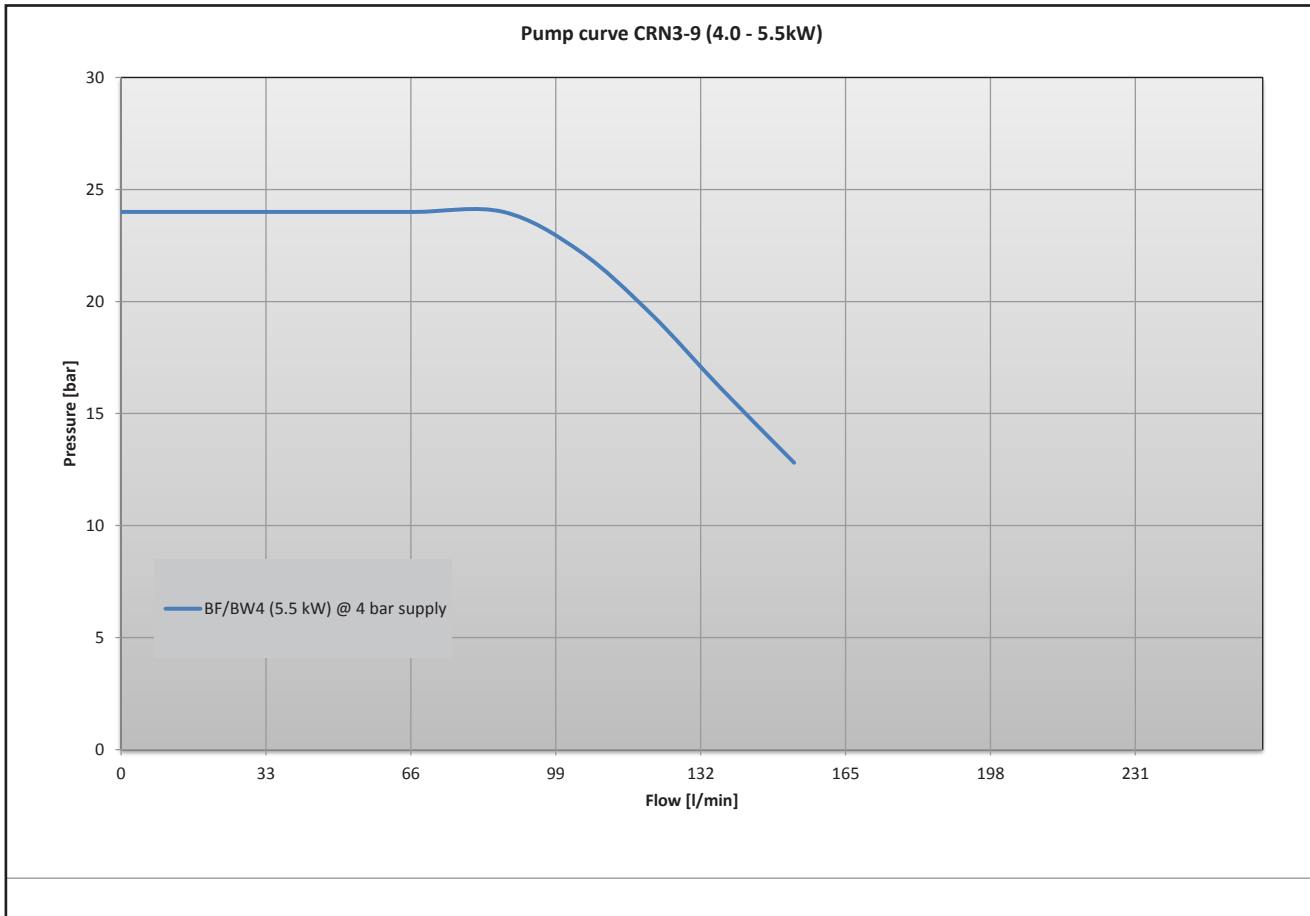




		Hybrid 7 Single pump, -P version MU4xx, BF8/BW7, BF4		Input		Dwg. Number 110008122		Init.		DCC &EFS		No of pages 4	
						Date 05-11-2021		Revision B		Project responsible SAN		Next page Page 4	

Pump curve

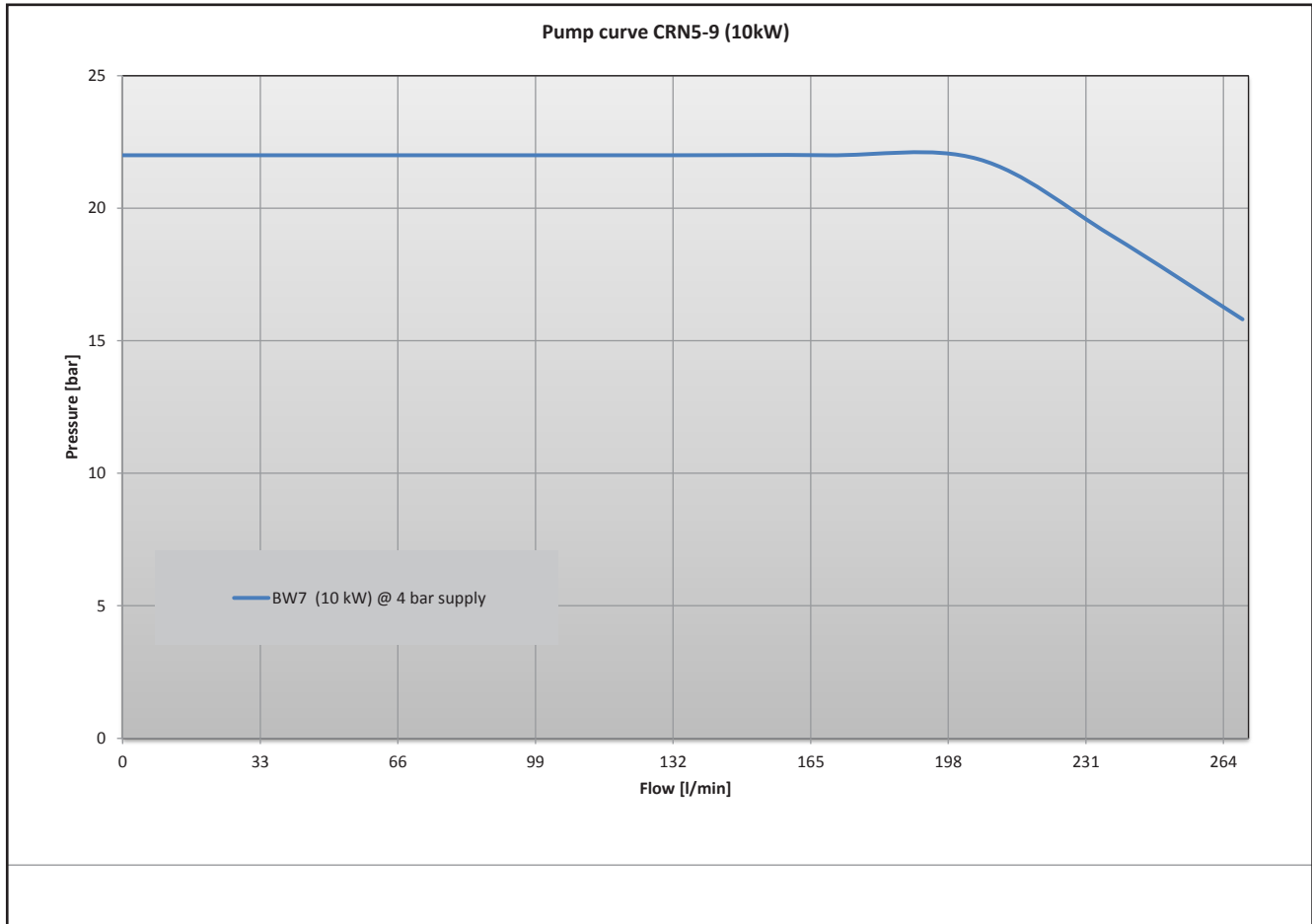
BW4, BF4



110003038

Pump curve

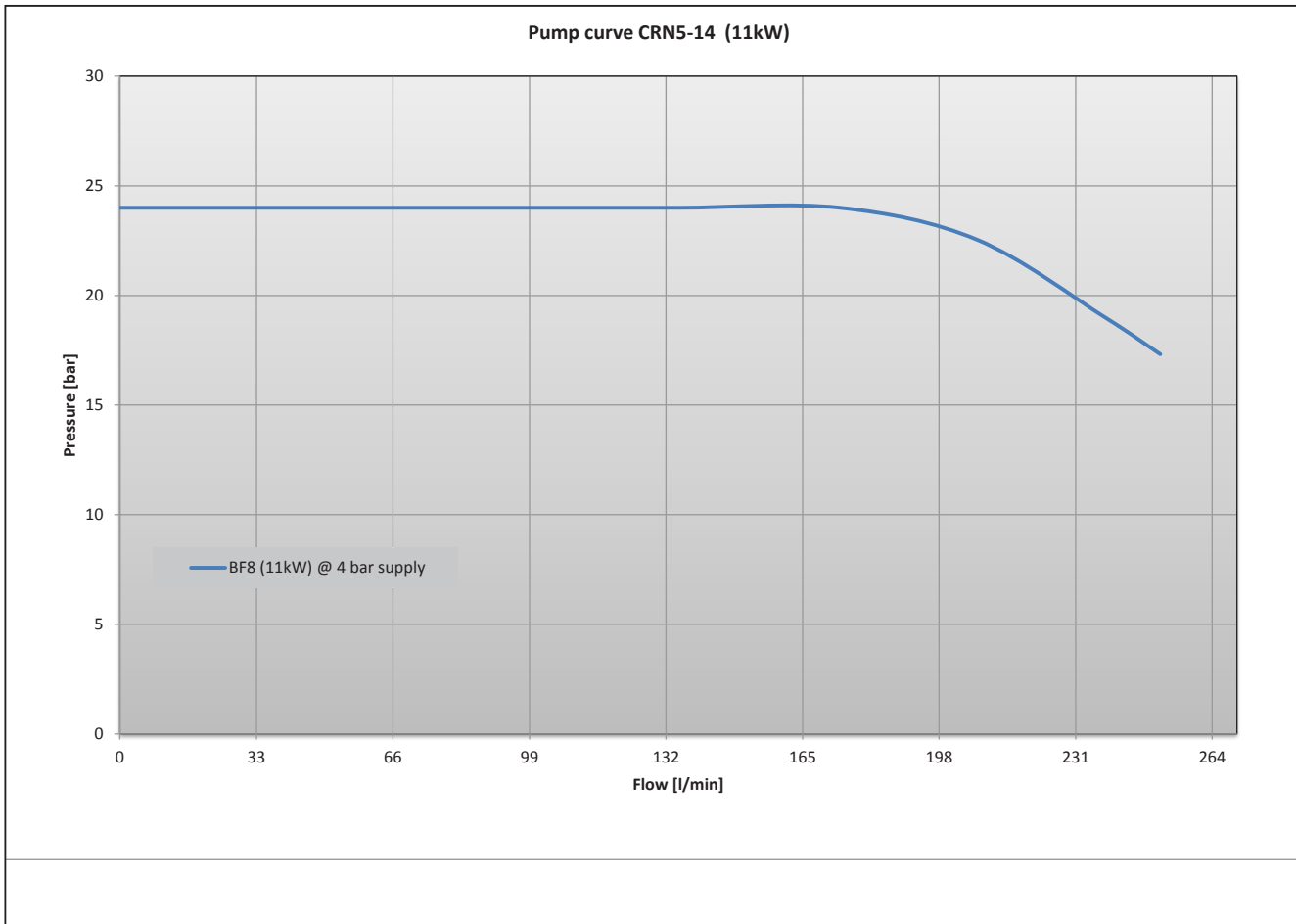
BW7



1100003038

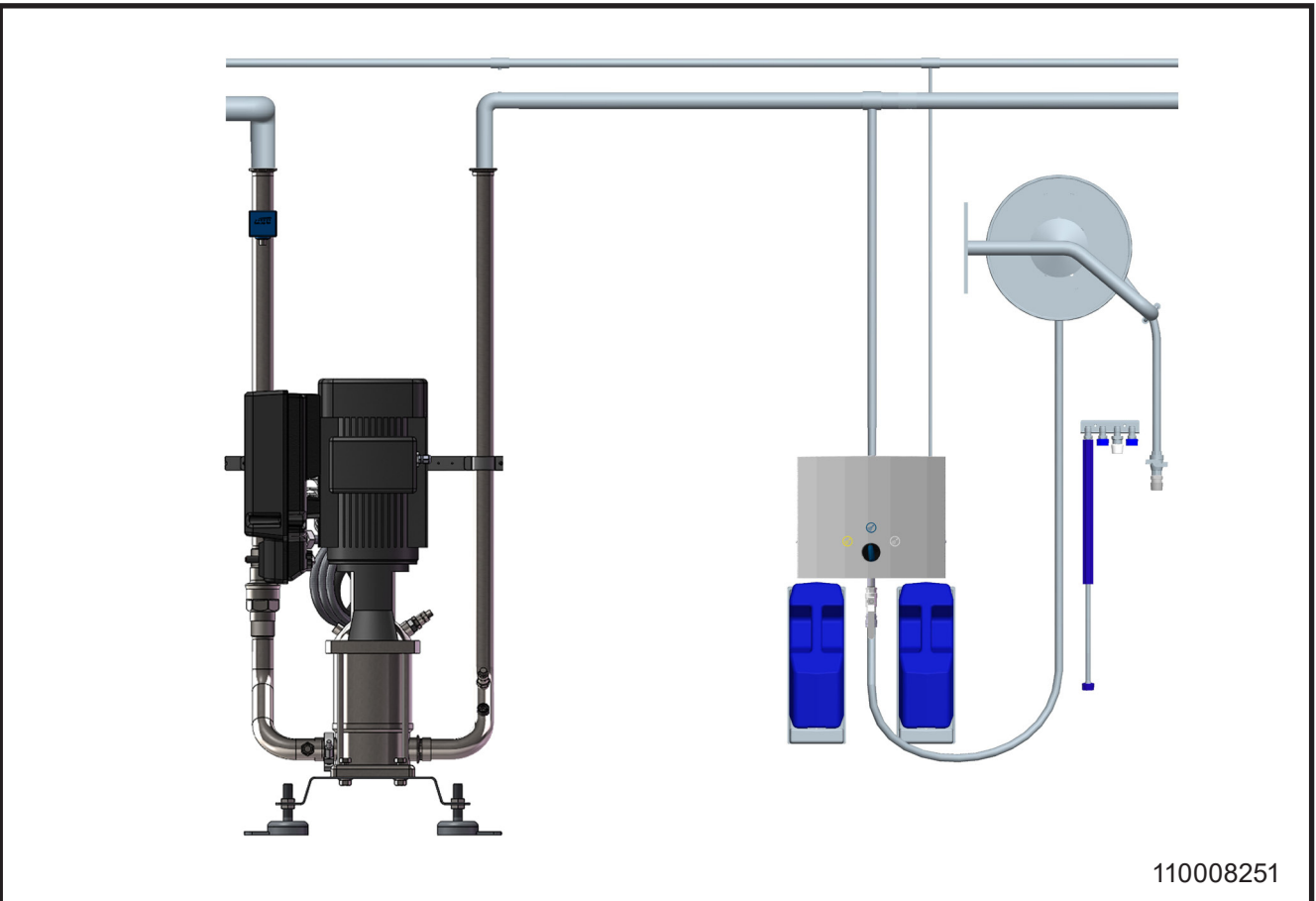
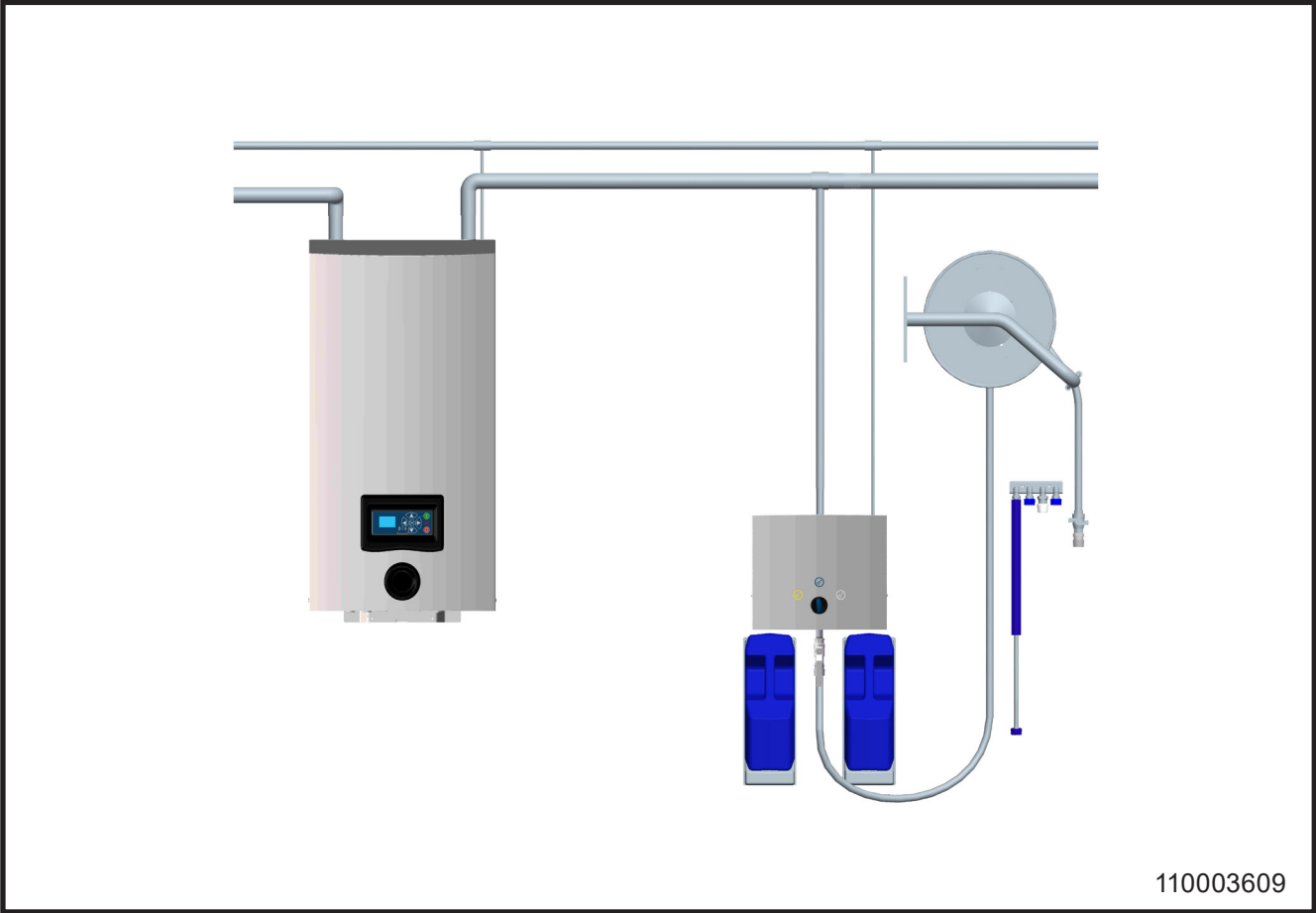
Pump curve

BF8

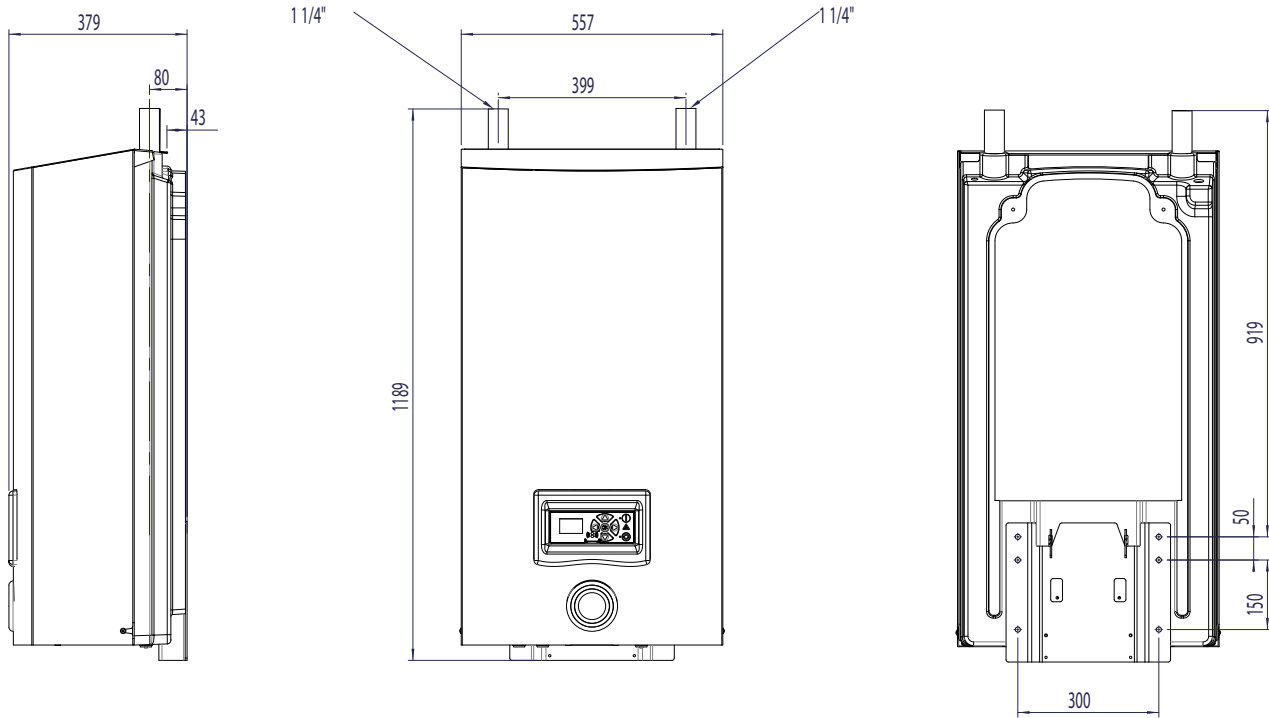


1100003038

Installation



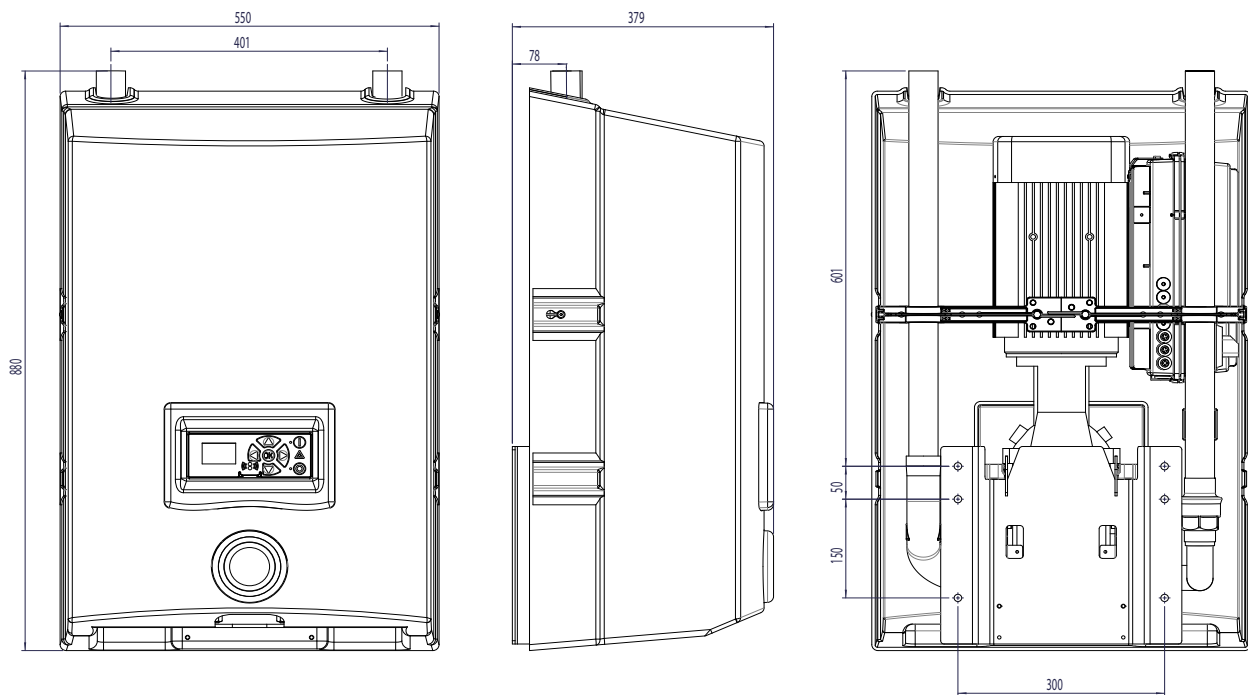
Hybrid-P BW7



110003578

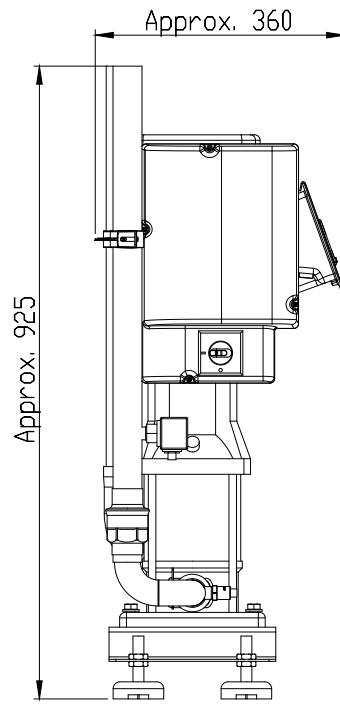
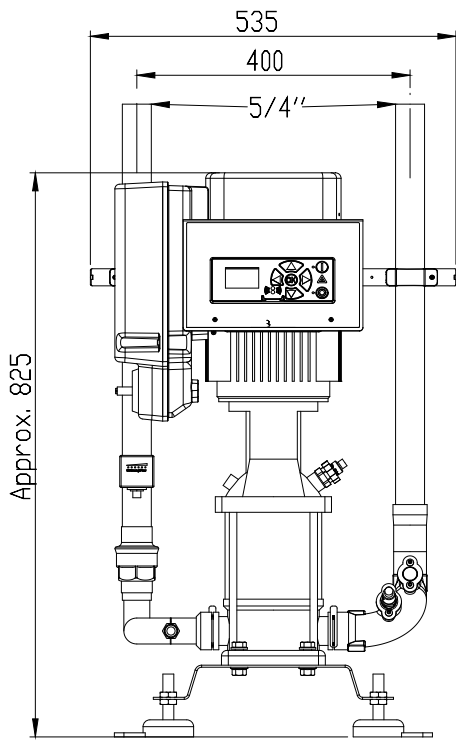
110003578

Pegasus-P BW4

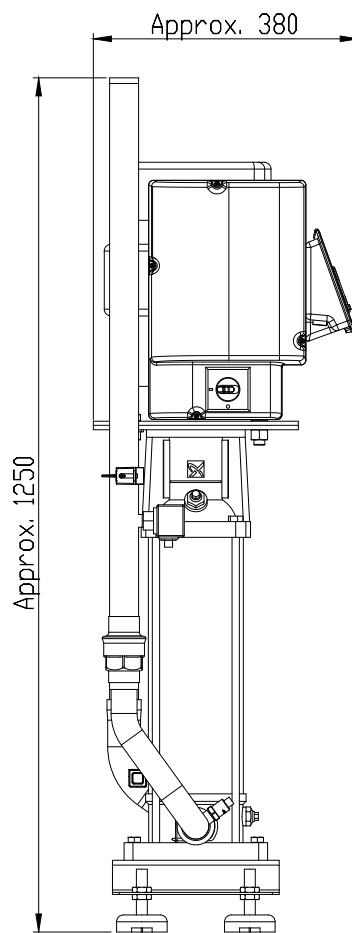
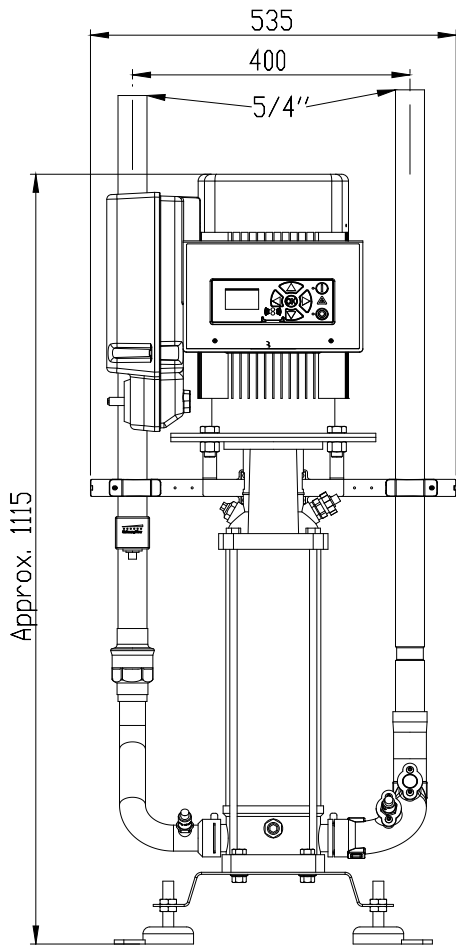


110003579

Hybrid-P BF4

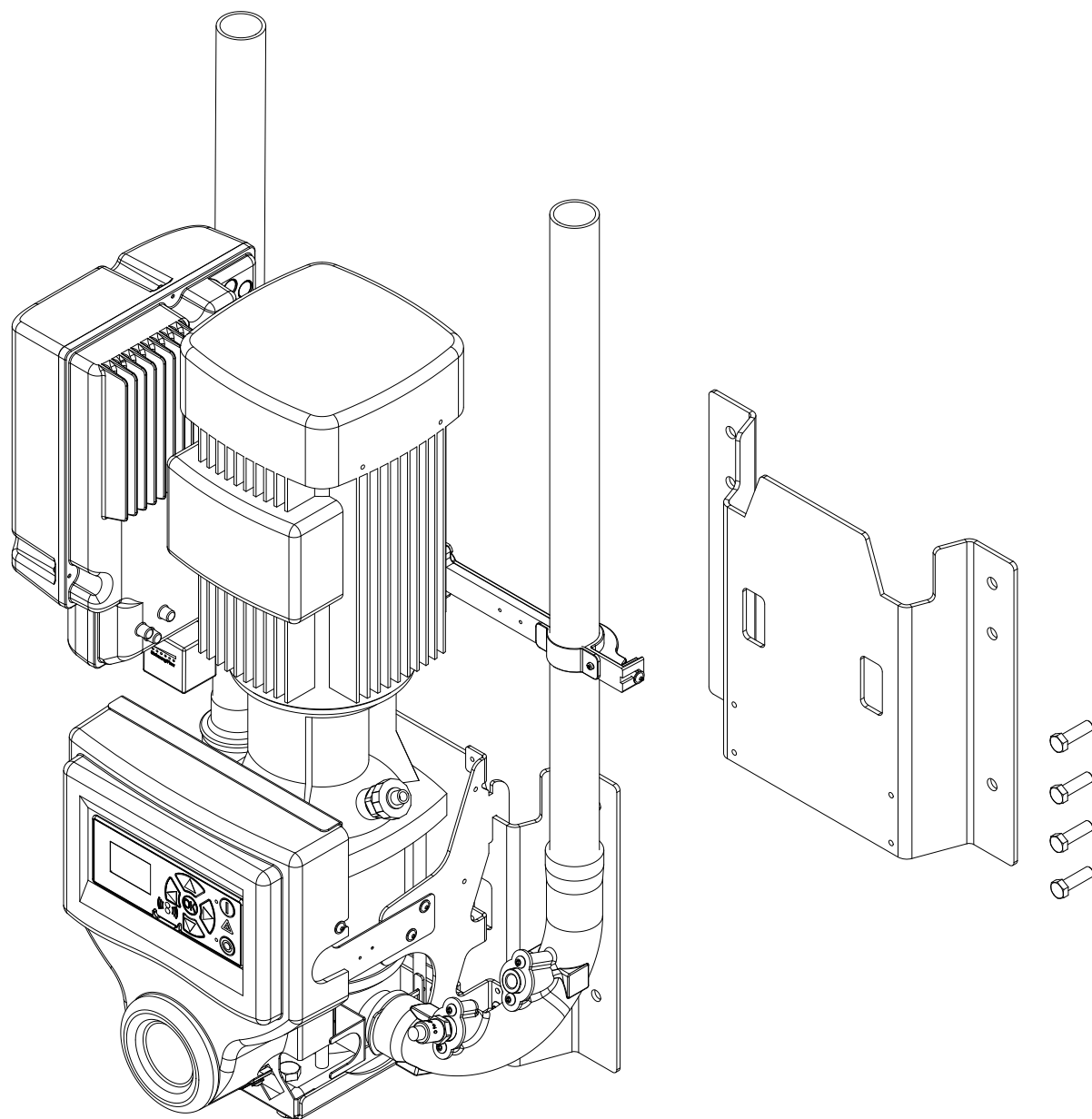


Hybrid-P BF8



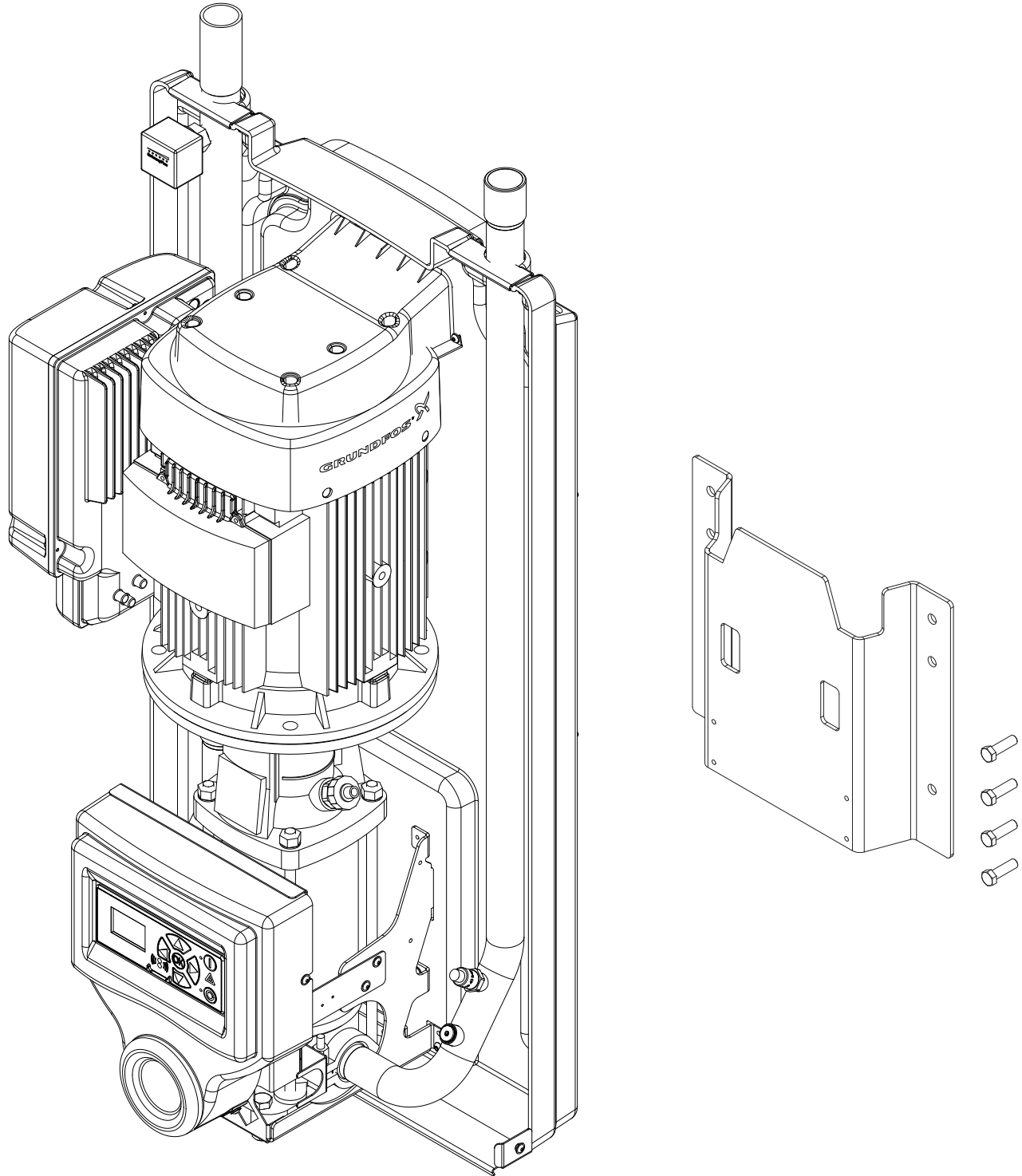
110008169

Mounting - Pegasus-P BW4



110008170

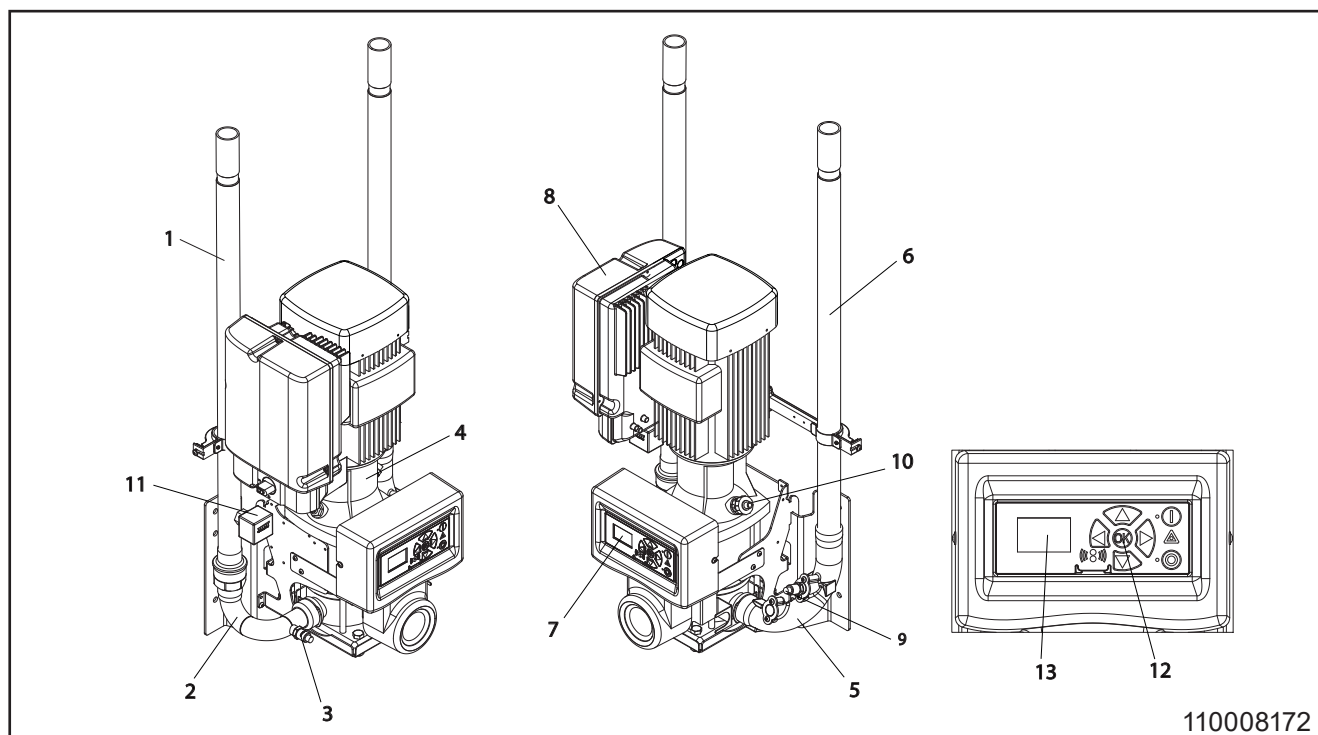
Mounting Hybrid BW7



Layout Pegasus

Pegasus-P BW4

Pegasus-P BW4

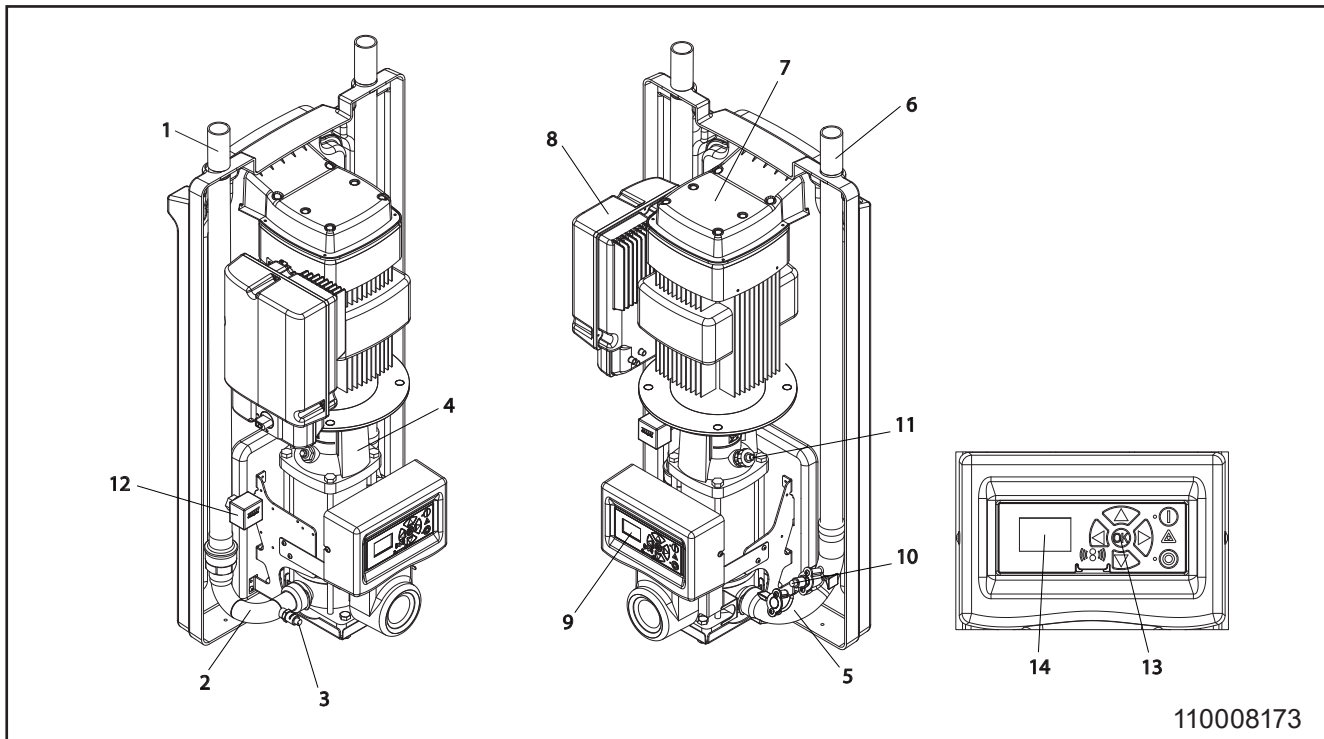


	English	German	French	Spanish
1	Water inlet	Wassereinlauf	Entrée d'eau	Entrada de agua
2	Inlet manifold	Einlaufverteiler	Collecteur entrée	Válvula de distribución de entrada
3	Pressure sensor	Drucksensor	Capteur de pression	Sensor de presión
4	Pump	Pumpe	Pompe	Bomba
5	Outlet manifold	Auslaufverteiler	Collecteur sortie	Válvula de distribución de salida
6	Outlet pipe	Auslaufrohr	Conduit sortie	Tubería de salida
7	Display	Display	Affichage	Visor
8	Controller	Regler	Contrôleur	Controlador
9	Pressure sensor	Drucksensor	Capteur de pression	Sensor de presión
10	Temperature sensor	Temperatursensor	Capteur de température	Sensor de temperatura
11	Flow switch	Durchflussschalter	Interrupteur de débit	Interruptor de caudal
12	Operation buttons (navigation)	Bedientasten (Navigation)	Boutons de commande (navigation)	Botones de operación (navegación)
13	Operation panel o: Push button stop I: Push button start Δ: Warning lamp	Bedientafel o: Drucktaste Stopp I: Drucktaste Start Δ: Warnlampe	Panneau de commande o : Bouton poussoir d'arrêt I: Bouton poussoir de démarrage Δ : Lampe d'avertissement	Panel del operador o: Botón de parada I: Botón de arranque Δ: Indicador lumínico de advertencia

Layout Hybrid

Hybrid-P BW7

Hybrid-P BW7



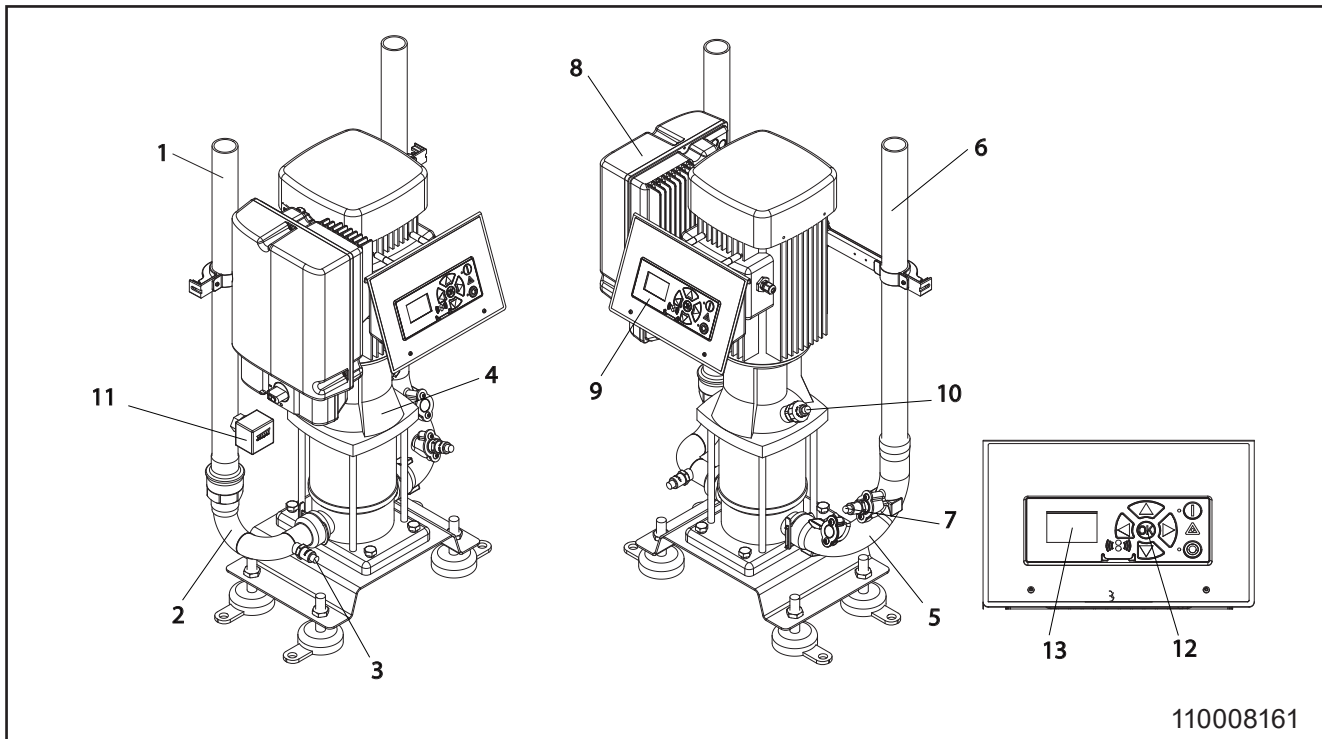
110008173

	English	German	French	Spanish
1	Water inlet	Wassereinlauf	Entrée d'eau	Entrada de agua
2	Inlet manifold	Einlaufverteiler	Collecteur entrée	Válvula de distribución de entrada
3	Pressure sensor	Drucksensor	Capteur de pression	Sensor de presión
4	Pump	Pumpe	Pompe	Bomba
5	Outlet manifold	Auslaufverteiler	Collecteur sortie	Válvula de distribución de salida
6	Outlet pipe	Auslaufrohr	Conduit sortie	Tubería de salida
7	Air inlet - cold air intake	Lufteinlass - Kaltlufteinlass	Entrée d'air - prise d'air froid	Entrada de aire – toma de aire frío
8	Controller	Regler	Contrôleur	Controlador
9	Display	Display	Affichage	Visor
10	Pressure sensor	Drucksensor	Capteur de pression	Sensor de presión
11	Temperature sensor	Temperatursensor	Capteur de température	Sensor de temperatura
12	Flow switch	Durchflussschalter	Interrupteur de débit	Interruptor de caudal
13	Operation buttons (navigation)	Bedientasten (Navigation)	Boutons de commande (navigation)	Botones de operación (navegación)
14	Operation panel o: Push button stop I: Push button start Δ: Warning lamp	Bedientafel o: Drucktaste Stopp I: Drucktaste Start Δ: Warnlampe	Panneau de commande o : Bouton poussoir d'arrêt I: Bouton poussoir de démarrage Δ : Lampe d'avertissement	Panel del operador o: Botón de parada I: Botón de arranque Δ: Indicador lumínico de advertencia

Layout Hybrid

Hybrid-P BF4

Hybrid-P BF4

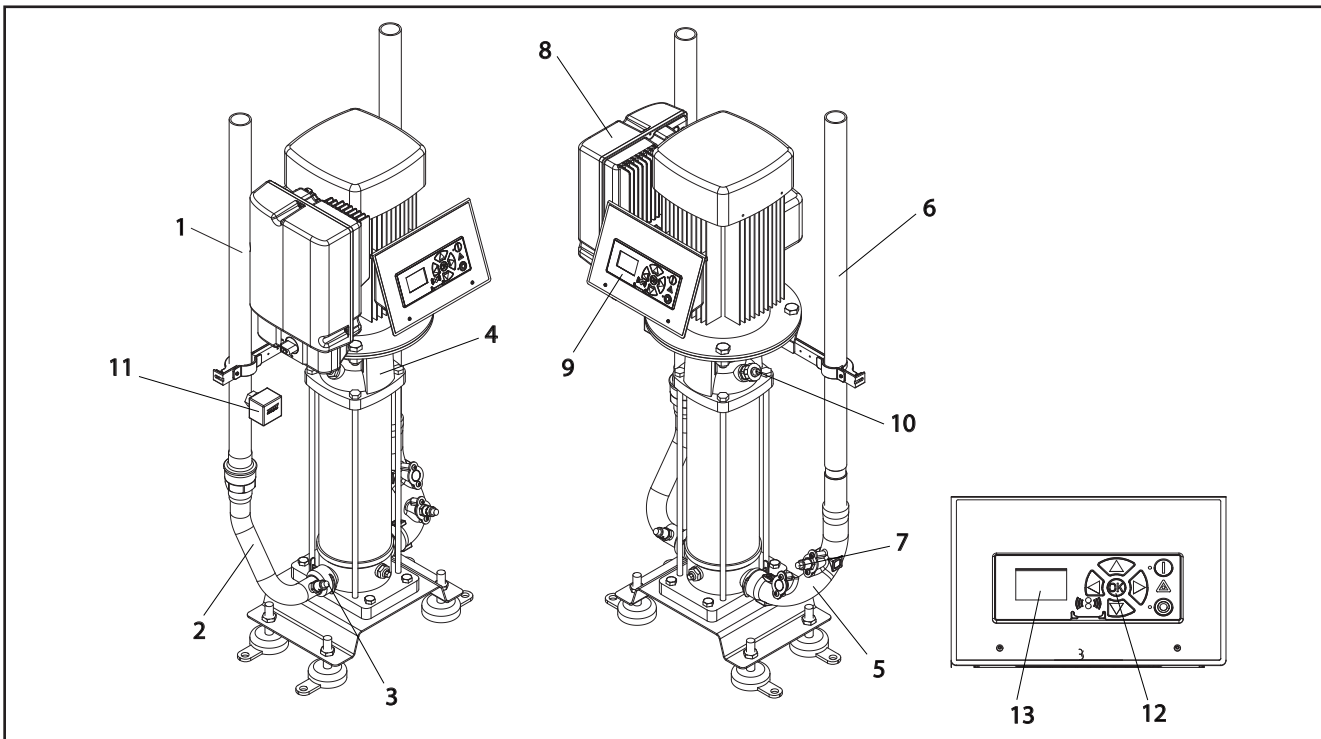


	English	German	French	Spanish
1	Water inlet	Wassereinlauf	Entrée d'eau	Entrada de agua
2	Inlet manifold	Einlaufverteiler	Collecteur entrée	Válvula de distribución de entrada
3	Pressure sensor	Drucksensor	Capteur de pression	Sensor de presión
4	Pump	Pumpe	Pompe	Bomba
5	Outlet manifold	Auslaufverteiler	Collecteur sortie	Válvula de distribución de salida
6	Outlet pipe	Auslaufrohr	Conduit sortie	Tubería de salida
7	Pressure sensor	Drucksensor	Capteur de pression	Sensor de presión
8	Controller	Regler	Contrôleur	Controlador
9	Display	Display	Affichage	Visor
10	Temperature sensor	Temperatursensor	Capteur de température	Sensor de temperatura
11	Flow switch	Durchflussschalter	Interrupteur de débit	Interruptor de caudal
12	Operation buttons (navigation)	Bedientasten (Navigation)	Boutons de commande (navigation)	Botones de operación (navegación)
13	Operation panel o: Push button stop l: Push button start Δ: Warning lamp	Bedientafel o: Drucktaste Stopp l: Drucktaste Start Δ: Warnlampe	Panneau de commande o : Bouton poussoir d'arrêt l: Bouton poussoir de démarrage Δ : Lampe d'avertissement	Panel del operador o: Botón de parada l: Botón de arranque Δ: Indicador lumínico de advertencia

Layout Hybrid

Hybrid-P BF8

Hybrid-P BF8



110008162

	English	German	French	Spanish
1	Water inlet	Wassereinlauf	Entrée d'eau	Entrada de agua
2	Inlet manifold	Einlaufverteiler	Collecteur entrée	Válvula de distribución de entrada
3	Pressure sensor	Drucksensor	Capteur de pression	Sensor de presión
4	Pump	Pumpe	Pompe	Bomba
5	Outlet manifold	Auslaufverteiler	Collecteur sortie	Válvula de distribución de salida
6	Outlet pipe	Auslaufrohr	Conduit sortie	Tubería de salida
7	Pressure sensor	Drucksensor	Capteur de pression	Sensor de presión
8	Controller	Regler	Contrôleur	Controlador
9	Display	Display	Affichage	Visor
10	Temperature sensor	Temperatursensor	Capteur de température	Sensor de temperatura
11	Flow switch	Durchflussschalter	Interrupteur de débit	Interruptor de caudal
12	Operation buttons (navigation)	Bedientasten (Navigation)	Boutons de commande (navigation)	Botones de operación (navegación)
13	Operation panel o: Push button stop I: Push button start Δ: Warning lamp	Bedientafel o: Drucktaste Stopp I: Drucktaste Start Δ: Warnlampe	Panneau de commande o : Bouton poussoir d'arrêt I: Bouton poussoir de démarrage Δ : Lampe d'avertissement	Panel del operador o: Botón de parada I: Botón de arranque Δ: Indicador lumínico de advertencia



No.: 110008175H 12-/2022
Serial no: 148.01.XXXXXXX
Serial no: 149.01.XXXXXXX

Printed in Denmark