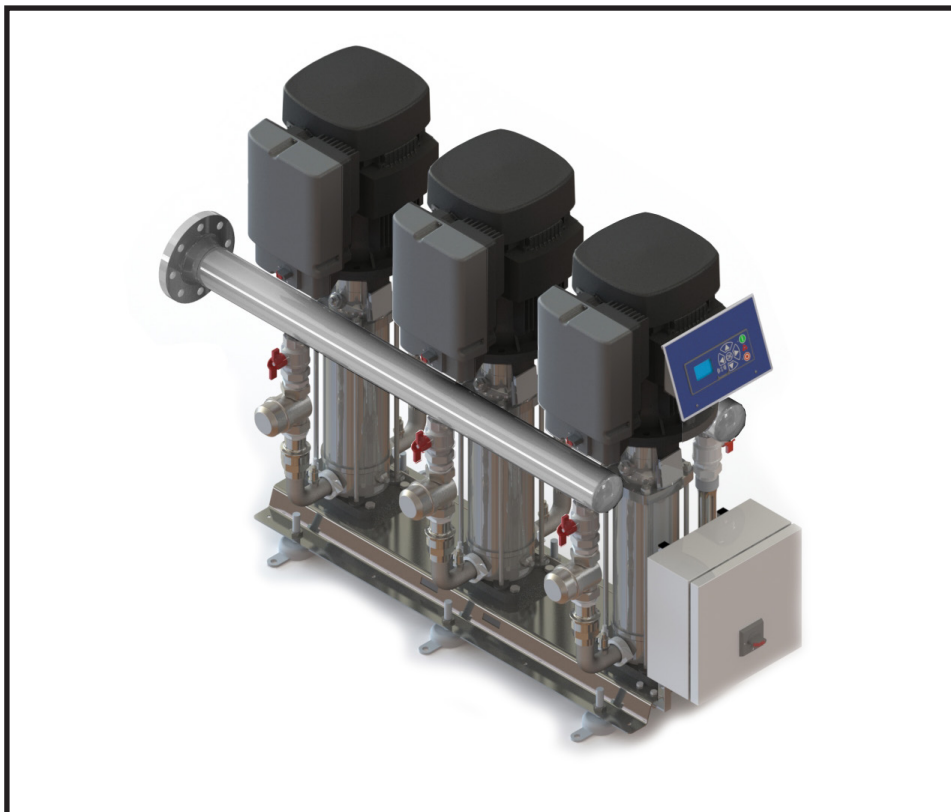


# Hybrid-P, Multi Booster, BF16, BF24, BF32, BF40, BF48.



ⓔⓃ **Service Manual (original)**

ⓔⓄ **Service – Handbuch**

ⓔⓇ **Manuel d'entretien**

ⓔⓈ **Manual de servicio**

**Spare part list**

## Content EN

1. Description.....	3
1.1 Layout Multi Booster BF16 - BF24 .....	4
1.2 Layout Multi Booster BF32 - BF40 - BF48 .....	5
1.3 Operation Diagrams Multi Booster BF16 - BF24 - BF32 - BF40 - BF48 .....	6
2. Maintenance .....	7
2.1 Filter .....	7
2.2 Long stops .....	7
3. Start .....	7
3.1 New system .....	7
4. Daily Operation .....	7
4.1 Start .....	7
4.2 Stop .....	7
5. Service .....	8
5.1 Components .....	8
5.1.1 Pump / Motor.....	8
5.1.2 Control system .....	8
5.1.3 Flow trigger .....	8
5.1.4 Non-return valve/intake side .....	8
5.2 Recycling and scrapping .....	8
6. Trouble Shooting .....	9
6.1 The unit does not start .....	9
6.2 The "Δ"- lamp on the control panel is on .....	10
6.3 Too low or unstable pressure .....	10
7. Recommended Spare Parts .....	11
8. Specifications .....	11
9. Electric diagram.....	12
10. Pump curve .....	29
11. Declaration of Conformity .....	30



## 1. Description

The Booster in the Hybrid-P range is a completely functioning pumping station that supplies pressurised water to connected satellite hygiene stations. Therefore the Booster must be supplied with water in sufficient quantity and power according to specifications.

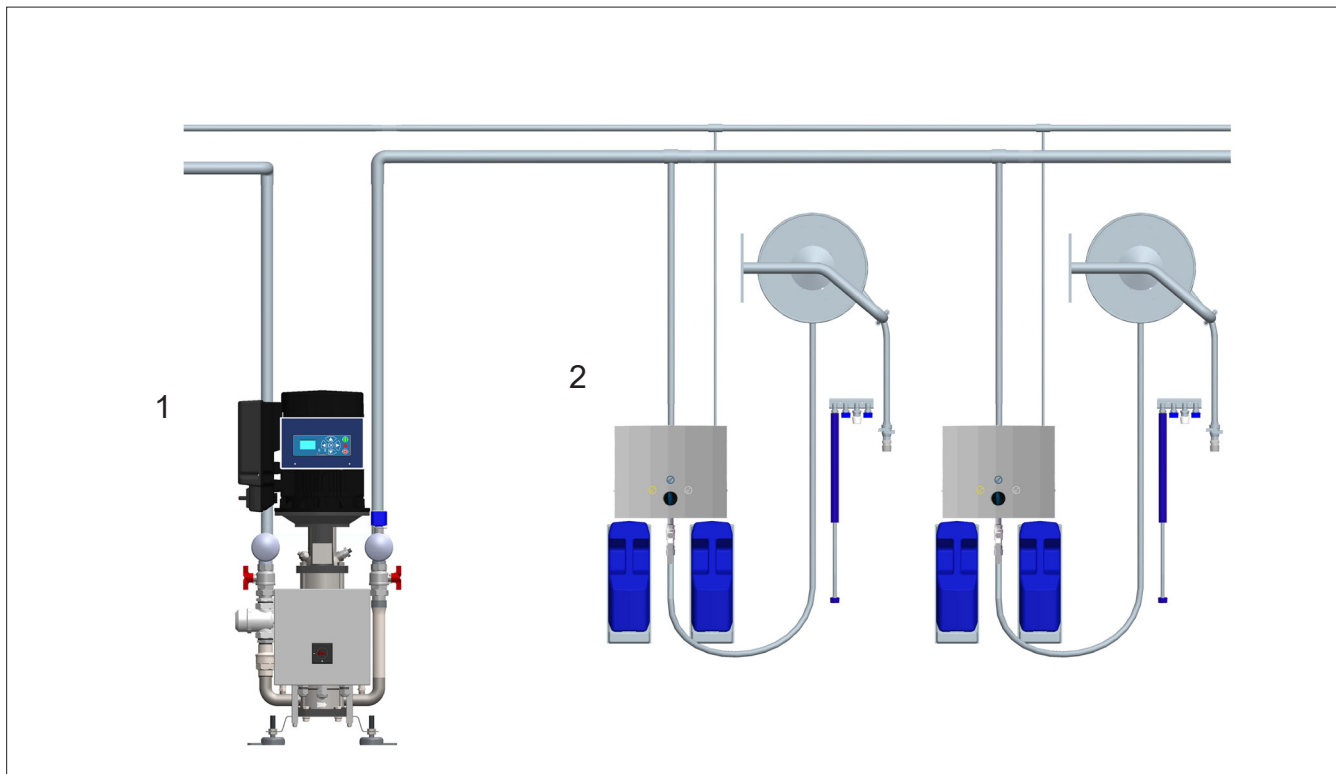
The station is then ready for hygiene duties.

The Booster is fitted with a frequency controlled pump which ensures a constant working pressure independent of usage pattern.

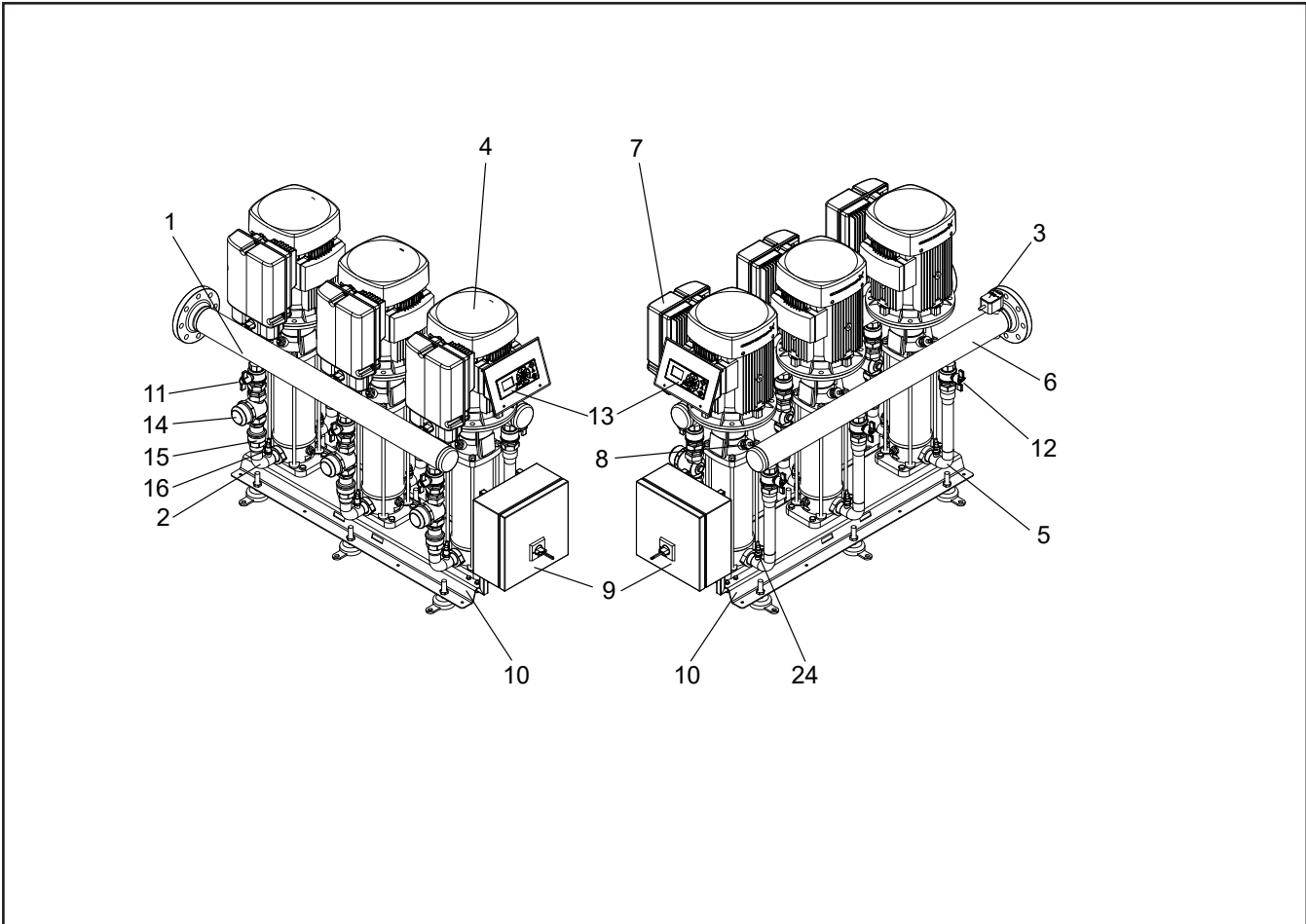
**Important:** Do not use the water from the system for any purpose other than cleaning.

A typical Floor Booster installation is shown in fig. 2

- Booster (1)
- Satellite (2)



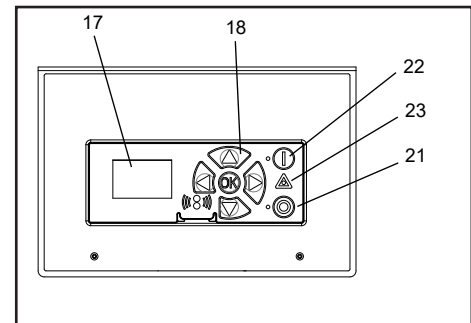
110008634



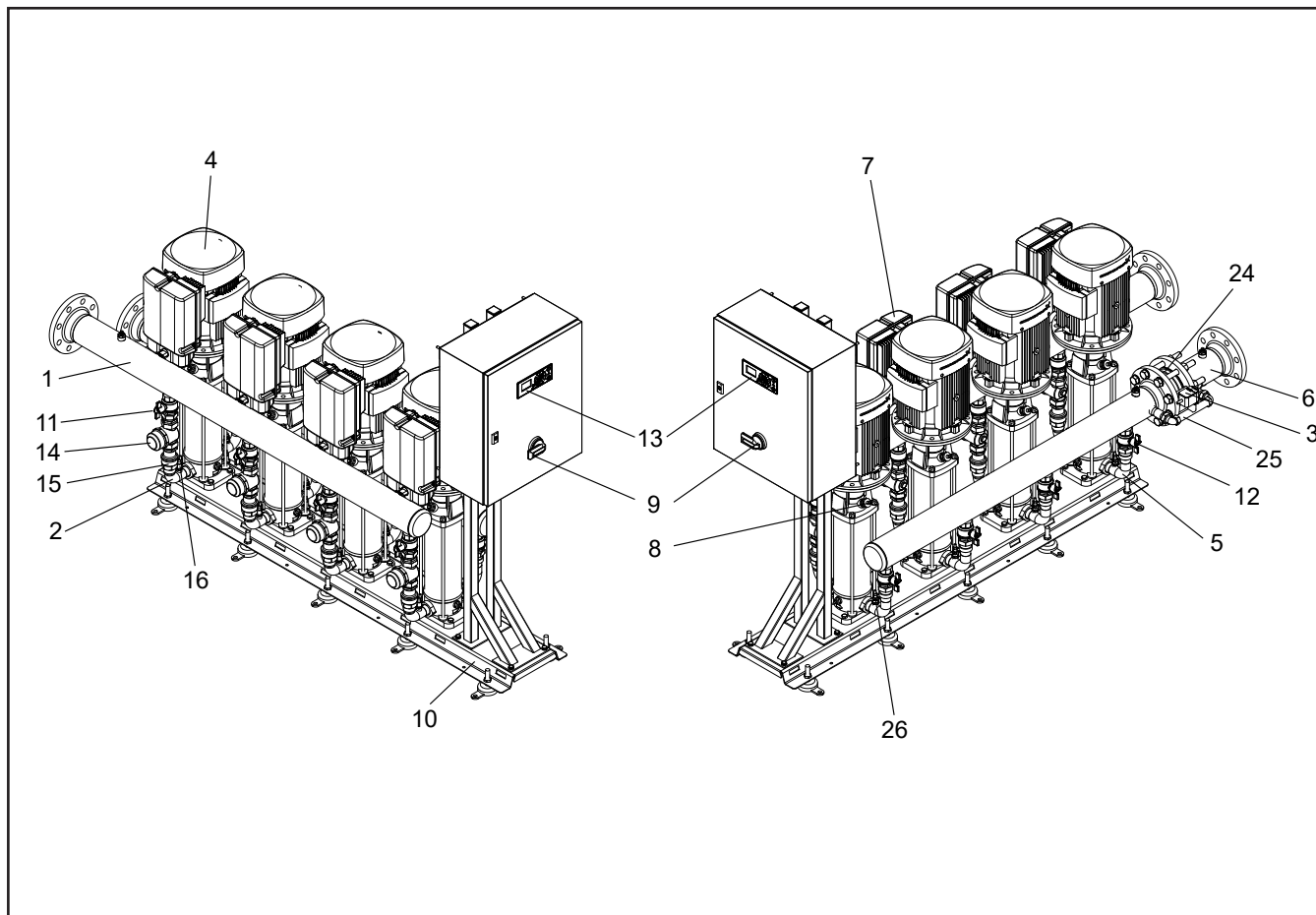
110008450A

### 1.7 Multi Booster BF16 - BF24

- 1. Water inlet
- 2. Manifold inlet
- 3. Trigger sensor, flow sensor
- 4. Pump
- 5. Manifold outlet
- 6. Outlet pipe
- 7. Inverter box
- 8. Temperature sensor
- 9. Electrical connection box
- 10. Floor bracket
- 11. Inlet ball valve
- 12. Outlet ball valve
- 13. Operation panel
- 14. Strainer
- 15. Non Return Valve
- 16. Inlet pressure sensor
- 17. Display
- 18. Navigation buttons
- 21. •● Pushbutton.Stop
- 22. •I Pushbutton.Start
- 23. •Δ Lamp. Alight by error
- 24. Outlet pressure sensor



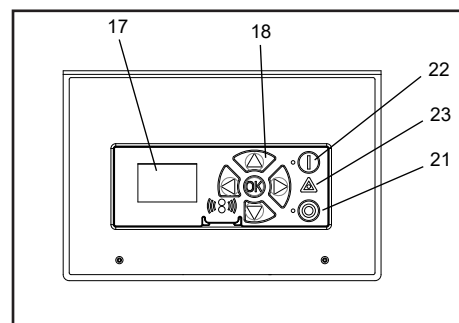
110002183



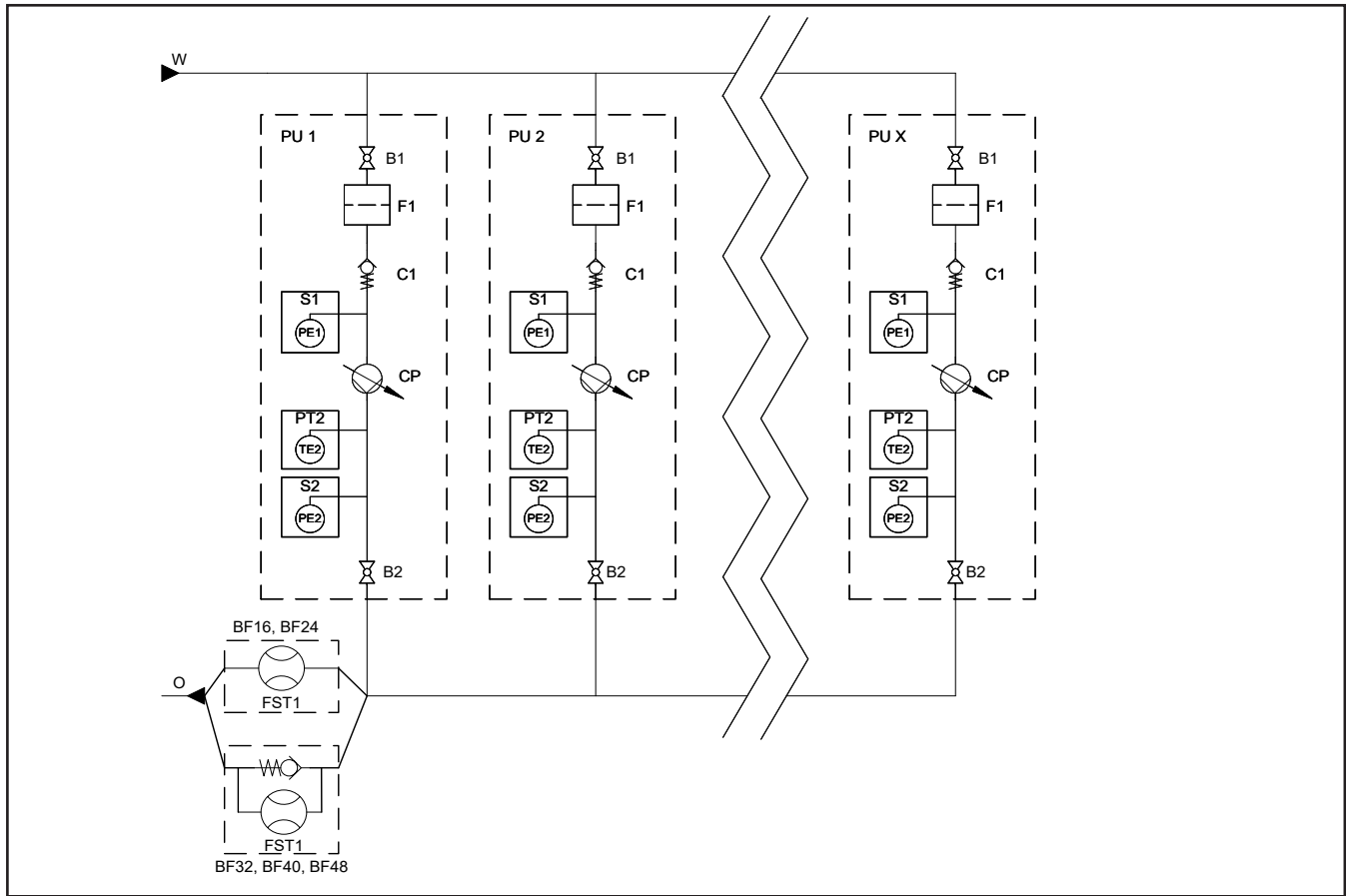
110008454A

### 1.3 Advanced Booster BF32 - BF40 - BF48

1. Water inlet
2. Manifold inlet
3. Trigger sensor, flow sensor
4. Pump
5. Manifold outlet
6. Outlet pipe
7. Inverter box
8. Temperature sensor
9. Electrical connection box
10. Floor bracket
11. Inlet ball valve
12. Outlet ball valve
13. Operation panel
14. Strainer
15. Non Return Valve
16. Inlet pressure sensor
17. Display
18. Navigation buttons
21. • ○ Pushbutton.Stop
22. • I Pushbutton.Start
23. • Δ Lamp. Alight by error
24. Non return valve for by-pass
25. By-pass
26. Outlet pressure sensor



110002183



110008439

### 1.3 Operating Diagrams

#### Multi Booster BF16 - BF24 - BF32 - BF40 - BF48

- B. Ball valve.
- F. Filter
- FST. Flow switch.
- C. Check valve.
- PE. Pressure sensor.
- TE. Temperature sensor.
- CP. Centrifugal pump.
- D. Outlet.
- PU. Pump unit.
- W. Water inlet.
- SN : Socket no.

## 2. Maintenance

We recommend cleaning the booster unit in connection with the occasional cleaning of the other equipment in the area. The filter must be cleaned at convenient intervals (approx. every 1-3 months) depending of the amount of impurities in the water.

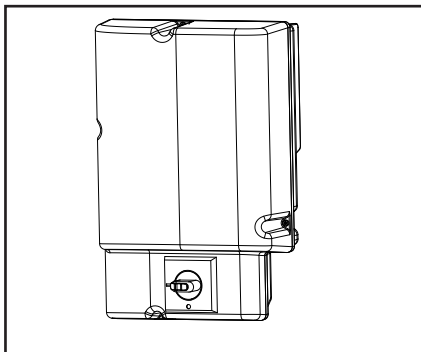


Fig. 1 110008442A

### 2.1 Filter

1. Press "0" on the control panel to stop the Booster.
2. Interrupt the master switch (Fig. 1).
3. Close the water inlet .
4. Open a tap to release the system of pressure.
5. Remove the filter (A, Fig. 2) and place it in a descaling solution.

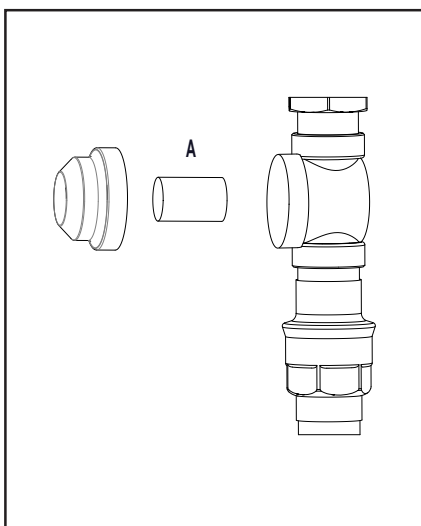


Fig. 2 110002117

6. Rinse the cleaned filter thoroughly and remount.
7. Min filter mesh size 800 $\mu$  -> 1500 $\mu$ .

### 2.2 Before a longer production stop

If long production stops are planned (more than 6 months) and the pump is drained, it is recommended that the pump is secured as follows:

1. Remove the coupling safety guard.
2. Spray a couple of drops of silicone oil onto the axle between the top section and the coupling.

Carefully follow the instructions given in the manual provided by the pump supplier.

## 3. Start

### 3.1 New system

In order to ensure a problem-free start up of a new system the pipe system must be flushed and bled.

### Bleeding the pipe system

1. Turn on the water supply to rinse and bleed the entire system. If satellites are installed open the tap furthest away until no air or dirt comes out. Then rinse and bleed the next tap and continue until the tap closest to you has been rinsed and bled.
2. Mount satellites, if any

### Bleeding the pump

3. Press "0" on the control panel to stop the Booster.
4. Loosen the relief plug (A, Fig34) 1-2 revolutions until water and air begin to flow out. **Note.** Never loosen the relief plug while the pump is running as this may damage the packing and cause personal injury.
5. Tighten the relief plug again
6. Start the pump so that all remaining air pockets are forced up to the top of the pump.

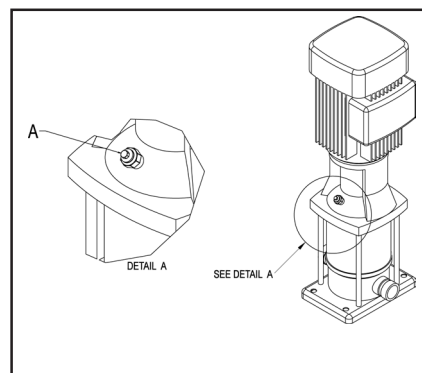


Fig. 3 0627131

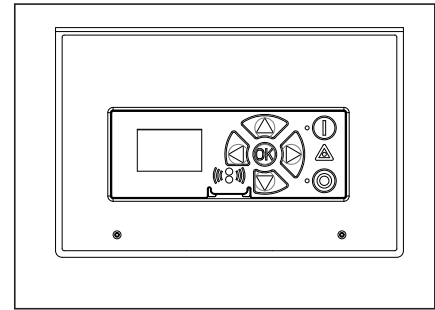


Fig. 4 110002183

7. Stop the pump.
8. Loosen the relief plug 1-2 revolutions again and bleed the system until only water flows out.
9. Tighten the relief plug once more.

The Booster is now ready for operation. Press "I" on the control panel. (see fig. 4).

## 4. Daily operation

### 4.1 Start

1. Check that water supplies for the system are open.
2. Press "I" on the control board in order to start up the unit.

### 4.2 Stop

1. Press "0" on the control panel to stop.
2. Turn off the water supply.
3. Switch off the air supply.

**Note.** Due to the following it is very important always to switch off both water and air supply after use:

- If the air supply is open when the main station or satellites are not in use, air might leak into the water line. If this happens, the system must be bled once more.
- The water separator, which is a part of the air regulator, is only to be emptied when the air supply is closed.

After a long time production stop (holidays etc) it might be necessary to bleed the piping system and the booster unit again.

## 5. Service

Service may only be carried out by authorized and qualified personnel.

**Warning:** The system must only be serviced when there is no voltage or pressure on the system.

1. Turn off the main switch at the control box (Fig. 1)
2. Open a water outlet to depressurise the system.

### 5.1 Components

#### 5.1.1 Pump / motor

For further information on Pump/motor - please see pump manual from pump supplier.

#### 5.1.2 Control system

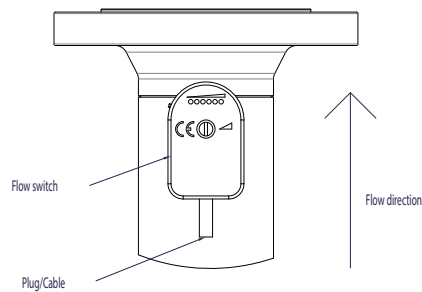
Maintenance free

If defective: Call service technician

#### 5.1.3 Flow Switch

Maintenance-free.

If defective, replace the flow switch. The orientation of the flow switch has to be done in such way that the plug/cable end of the switch is pointing opposite the flow direction.



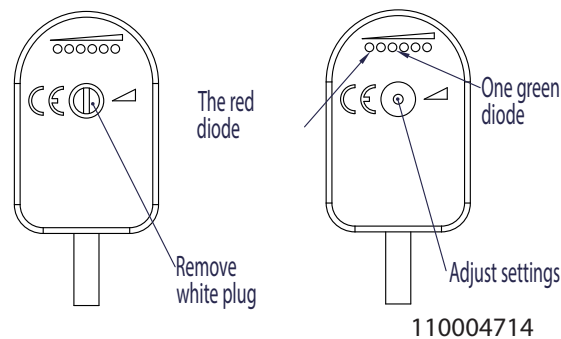
110004660

#### 5.1.3.1 Adjustment of flow switch

When the flow switch is replaced/installed it has to be adjusted.

1. Press "1" on the control panel to turn on the machine.
2. Turn "rinse/foam" handle on a satellite to foam position.
3. Activate the spray handle on the outlet hose of the satellite so water runs out.
4. Check that the flow switch is turned the correct way (the wire must be opposite the flow direction) (see picture).
5. Remove the white plug/screw before adjusting (see picture).
6. Adjust the flow to one green diode lights up (see picture).
7. Close the spray handle again and check that the red diode lights up.
8. Remount the white plug/screw.

The flow switch is now adjusted.



#### 5.1.4 Non-return valve / inlet side

Maintenance - free.

If defective, replace the non-return valve.

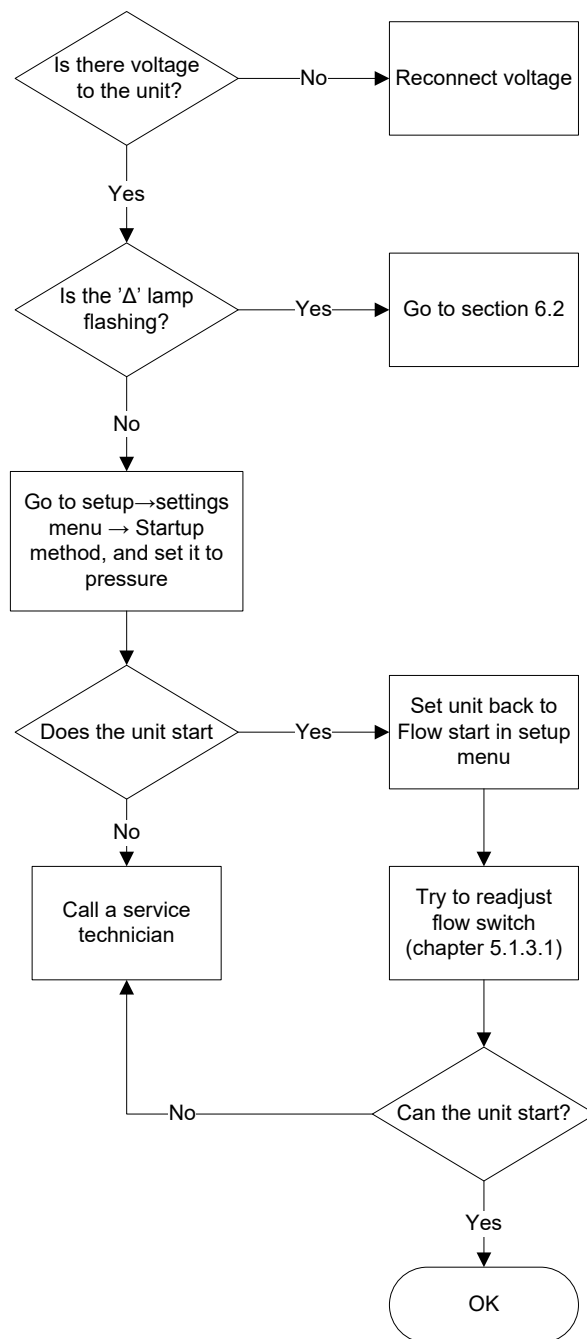
### 5.2 Recycling/scraping

Recycle the wrapping and scrap the machine according to recommendations from the local authorities.

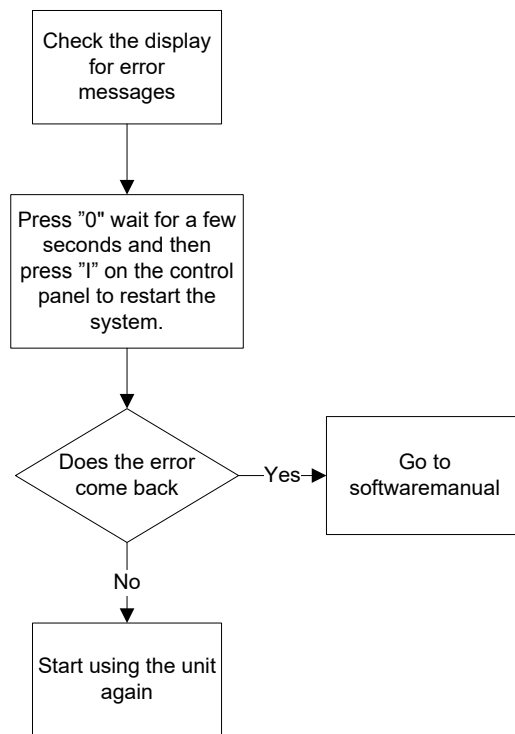


## 6. Troubleshooting

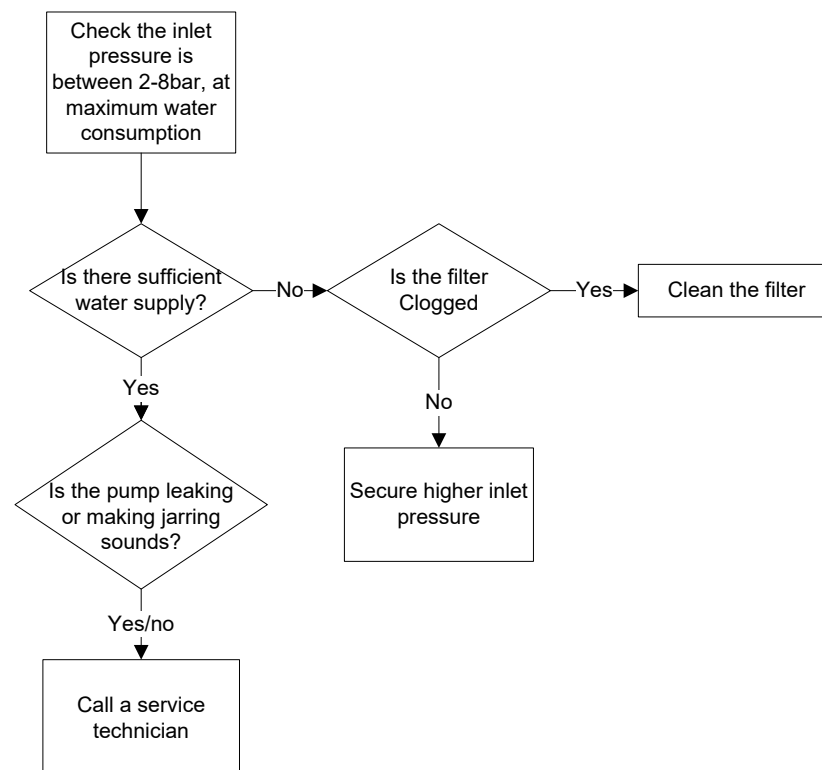
### 6.1 The unit does not start



## 6.2 The "Δ"- lamp on the control panel is on



## 6.3 If the inlet pressure is low or unstable



## 7. Recommended spare parts

The recommended spare parts are marked with \* in the spare part manual.

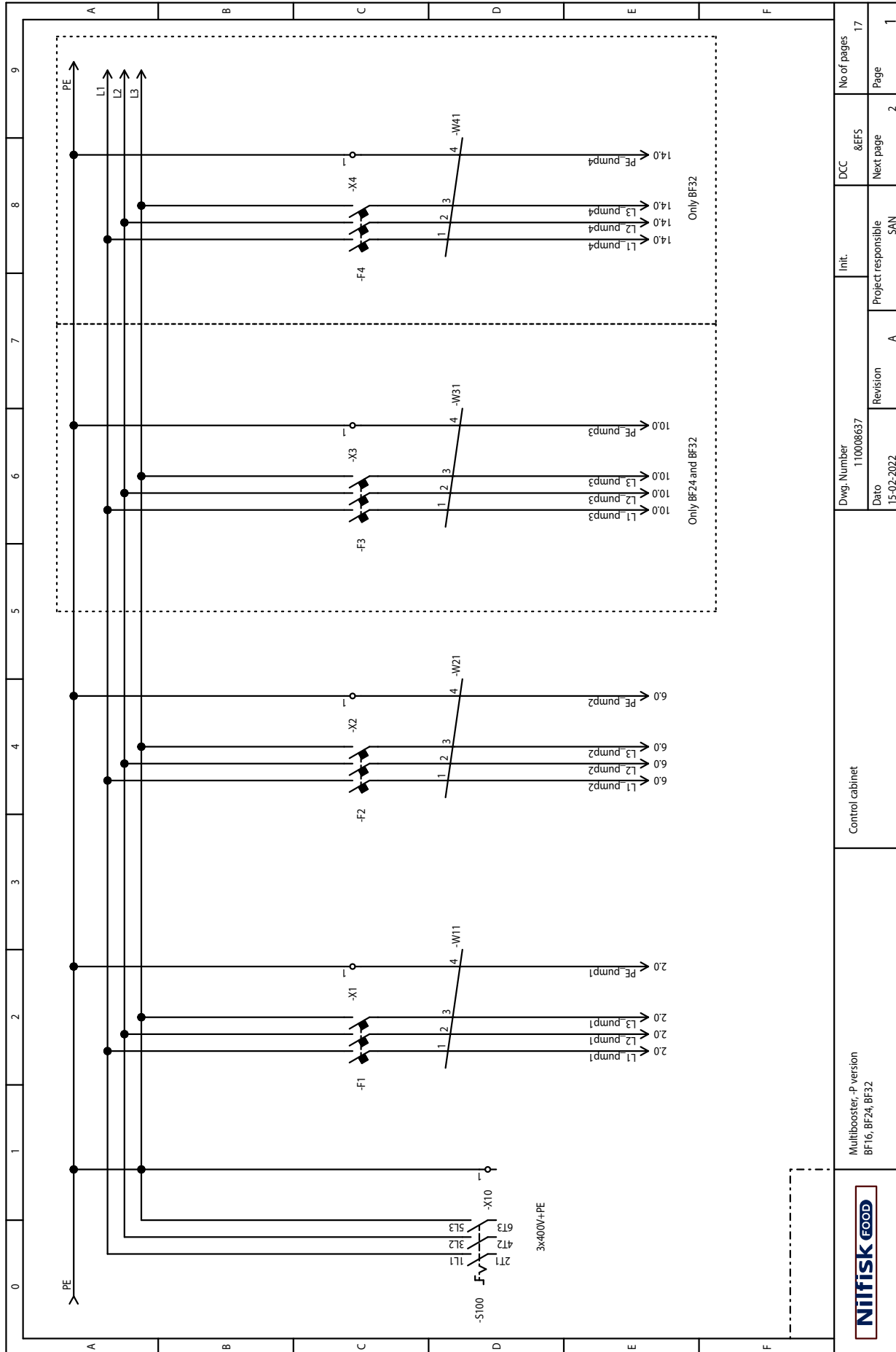
## 8. Specifications

Technical Data		Multi Booster.				
		BF16	BF24	BF32	BF40	BF48
Max. Outlet pressure.	<b>bar [psi]</b>	25* [362]	25* [362]	25* [362]	25* [362]	25* [362]
Consumption during rinsing.	<b>L/min [gal/min]</b>	440 [116]	660 [174]	880 [232]	1100 [290.5]	1320 [348.7]
Consumption during foaming.	<b>L/min [gal/min]</b>	160 [42]	240 [63]	320 []	400 [105]	480 [126]
Min. supply pressure.	<b>bar [psi]</b>	2 [29]	2 [29]	2 [29]	2 [29]	2 [29]
Max. supply pressure.	<b>bar [psi]</b>	8 [116]	8 [116]	8 [116]	8 [116]	8 [116]
Min. water supply.	<b>L/min [gal/min]</b>	500 [132]	750 [198]	1000 [264]	1250 [330]	1500 [396]
Max. water temp.	<b>°C [°F]</b>	70 [158]	70 [158]	70 [158]	70 [158]	70 [158]
Pipe dimension inlet Ø	<b>inch</b>	2 1/2"	3"	4"	4"	4"
Pipe dimension outlet Ø	<b>inch</b>	2 1/2"	3"	4"	4"	4"
<b>Electricity</b>						
Supply voltage	<b>V</b>	3/PE 380-528VAC 50/60Hz				
Frequency	<b>Hz</b>					
Motor load (kW)	<b>kW</b>	22	33	44	55	66
Installation to EN 60204-1						
Nominal current	<b>A</b>	55	82,5	110	137,5	165
Fuse	<b>A</b>	63	100	125	160	200
L1, L2, L3, PE	<b>mm2</b>	2.5	2.5	2,5	6	6
<b>General</b>						
Sound level ISO 11202	<b>dB</b>	Below 85	-	-	-	-
Dimensions	<b>mm [inches]</b>				1268 x 665 x 2822 [49.8x26x111]	1268 x 665 x 3248 [49.8x26x127.8]
Weight (kg) ca	<b>kg [lbs]</b>	190 [50]	300 [79]	400 [105.6]	500 [132]	600 [158.5]

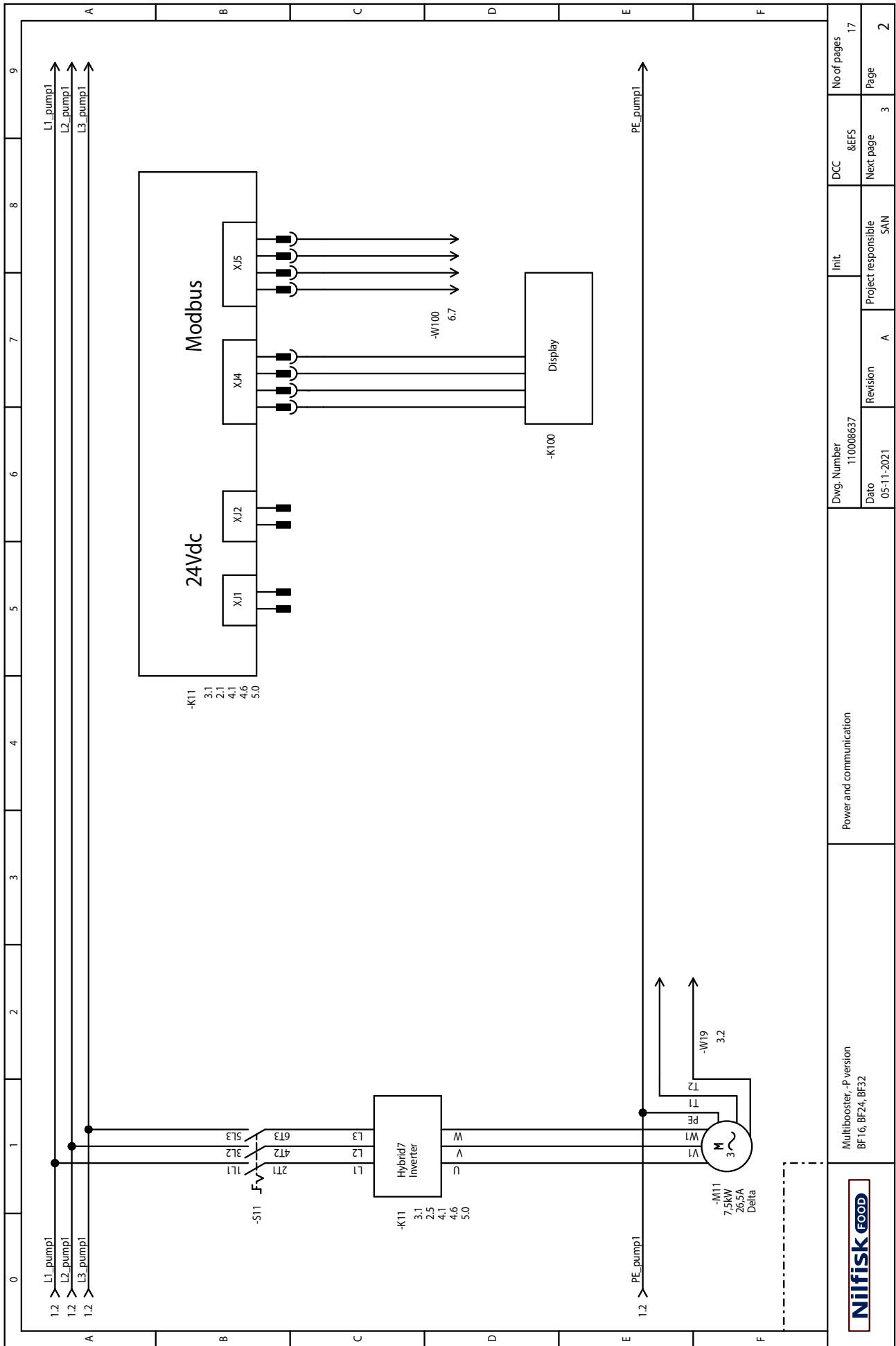
Note:

\* Pump pressure 20 bar + inlet pressure max. 25 bar/290 psi + inlet pressure max. 362.5 psi

# 9. Electric diagram



	Multibooster, P version BF16, BF24, BF32		Control cabinet		Dwg. Number 110008637		Init. Project responsible SAN		DCC &EFS Next page 2		No of pages 17 Page 1	
	Date 15-02-2022		Revision A									

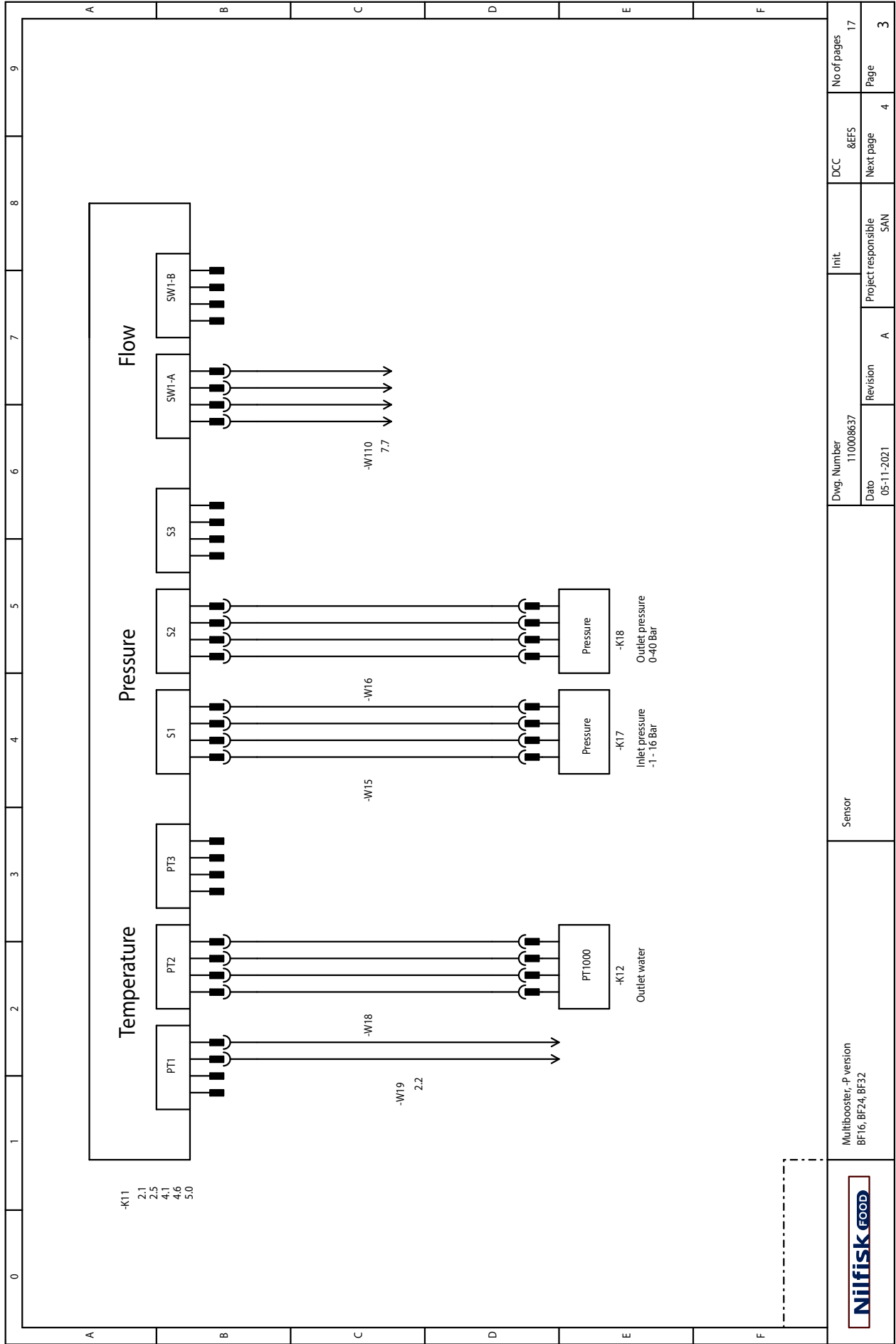


Dwg. Number 110008637		Init	DCC	No of pages
Date 05-11-2021		Project responsible SAN	&EFS	17
Revision A		Next page	3	Page
				2

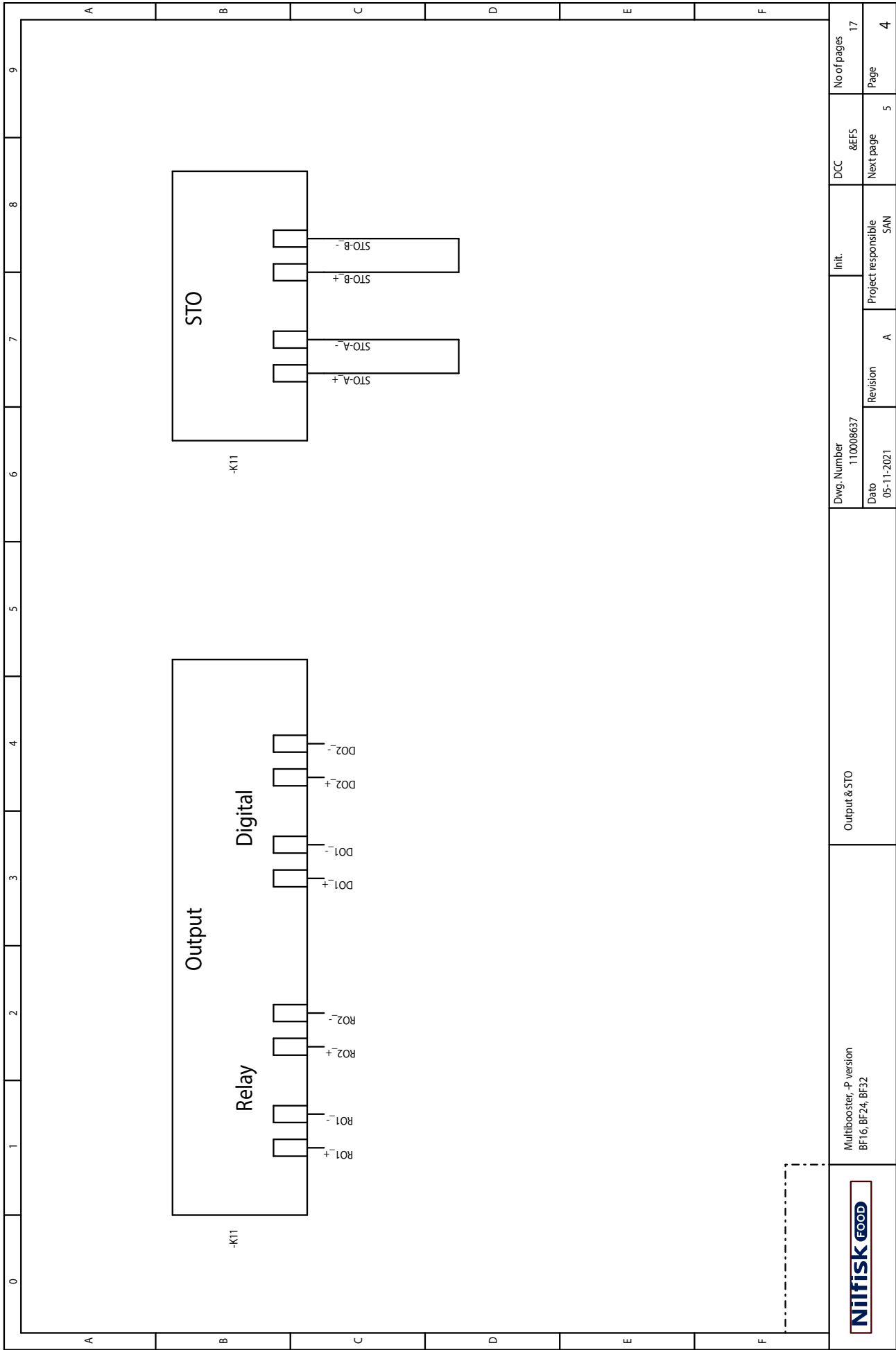


Multibooster-P version  
BF16, BF24, BF32

Power and communication



	Multibooster, -P version BF16, BF24, BF32		Sensor		Dwg. Number 110008637		DCC &EFS Next page		No of pages 17		
					Date 05-11-2021		Revision A		Project responsible SAN		
										Page 4	Page 3



Multibooster -P version  
BF16, BF24, BF32

Output & STO

Dwg. Number  
110008637

Date  
05-11-2021

Revision  
A

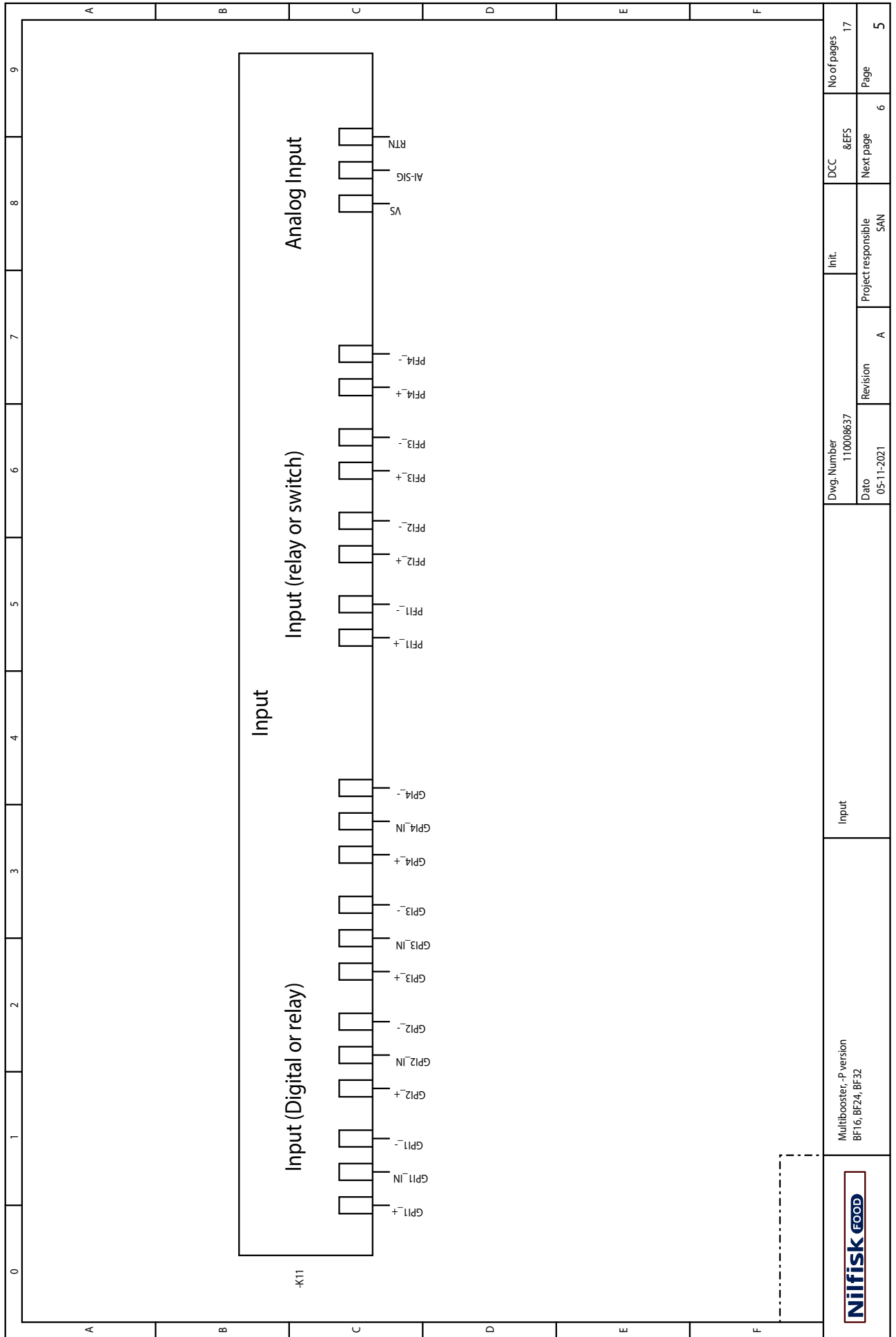
Init.  
Project responsible  
SAN

DCC &EFS  
Next page

Page  
5

No of pages  
17

Page  
4



Multibooster-P version  
BF16, BF24, BF32

Input

Dwg. Number  
1110008637

Date  
05-11-2021

Revision  
A

Project responsible  
SAN

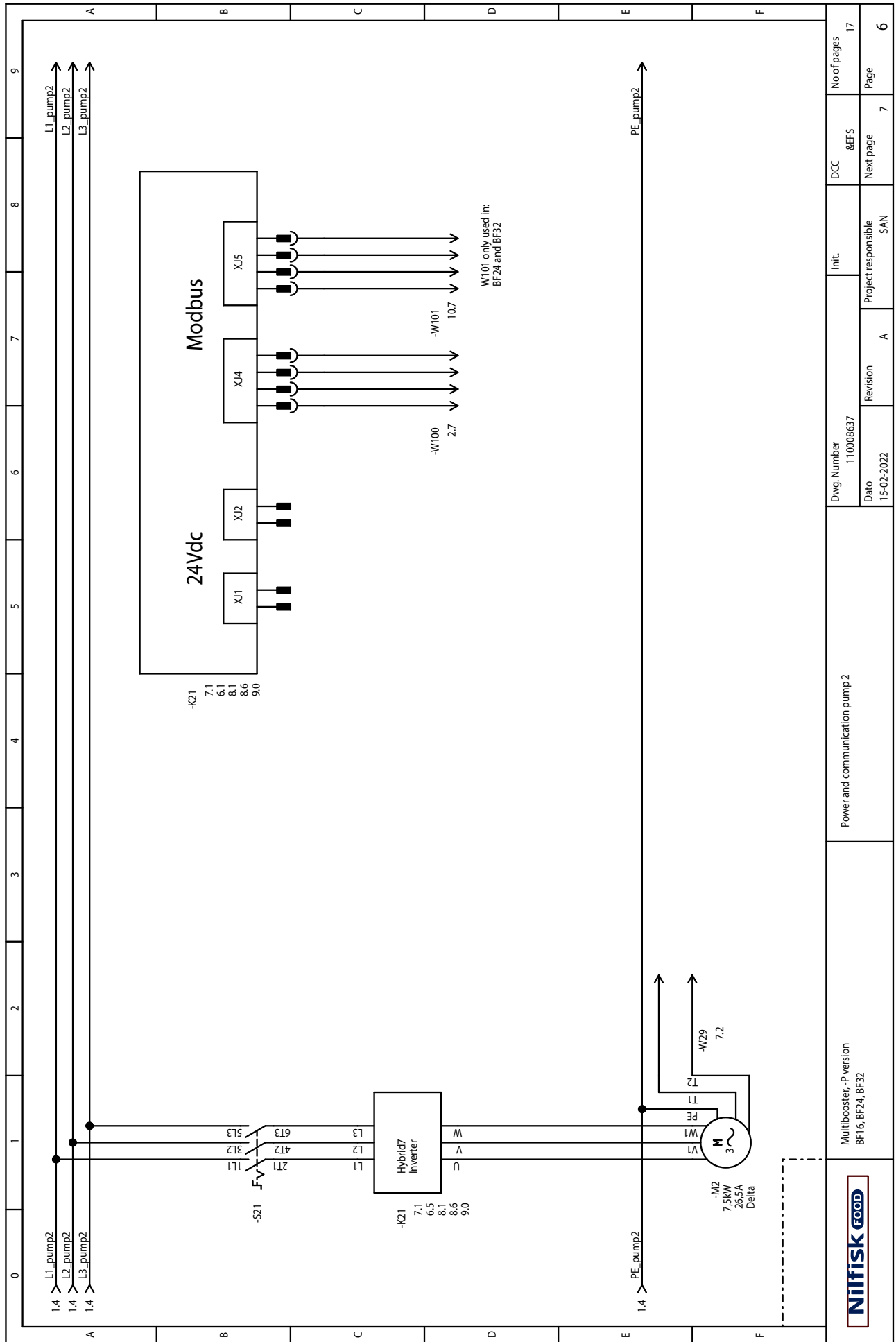
DCC  
&EFS

Next page  
6

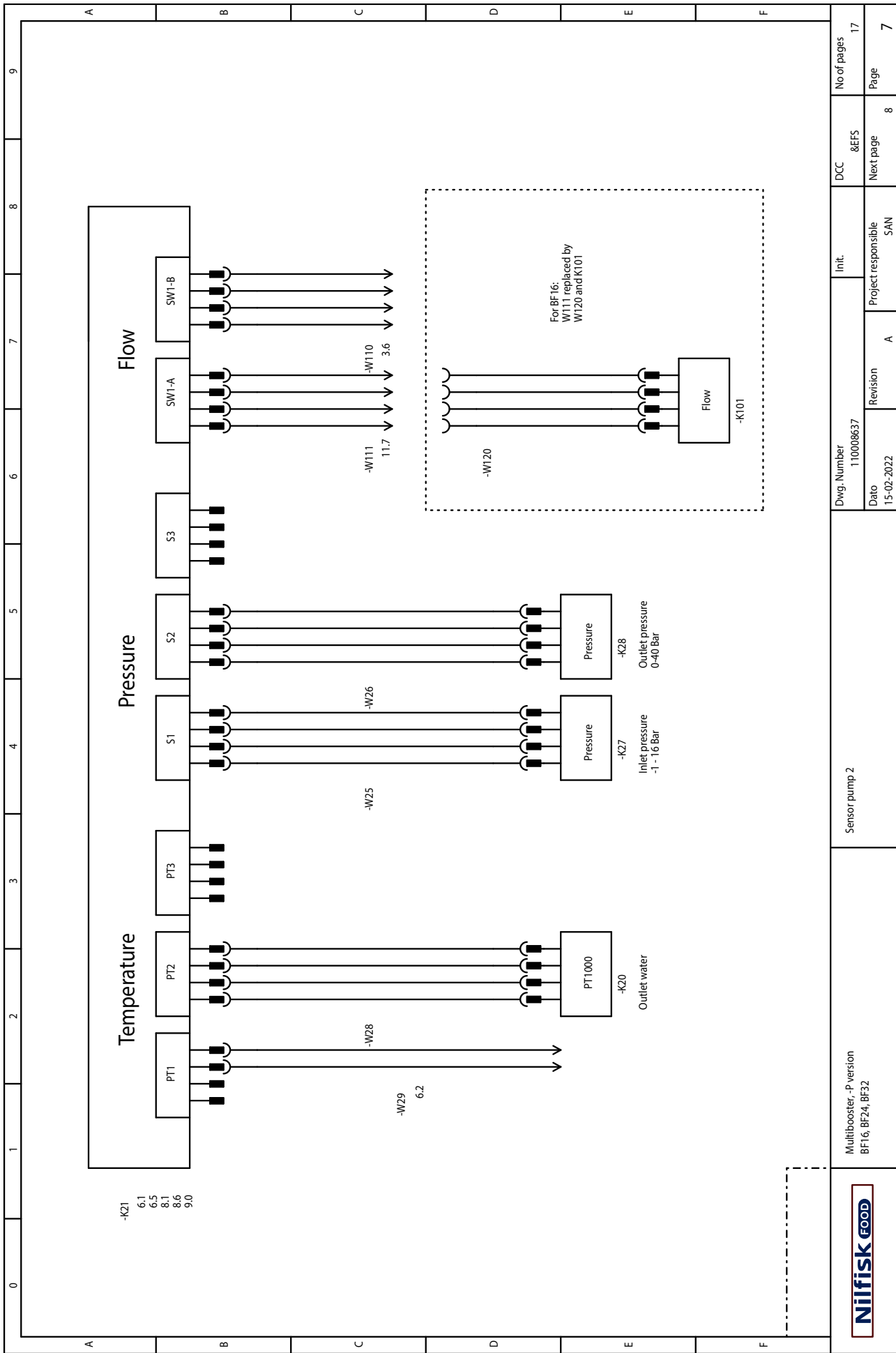
No. of pages  
17

Page  
5





		Multibooster - P version BF16, BF24, BF32		Power and communication pump 2		Dwg. Number 110008637		Init.		DCC &EFS		No of pages 17	
						Date 15-02-2022		Revision A		Project responsible SAN		Next page 7	
												Page 6	



Multi-booster, -P version  
BF16, BF24, BF32

Sensor pump 2

Dwg. Number  
110008637

Date  
15-02-2022

Revision  
A

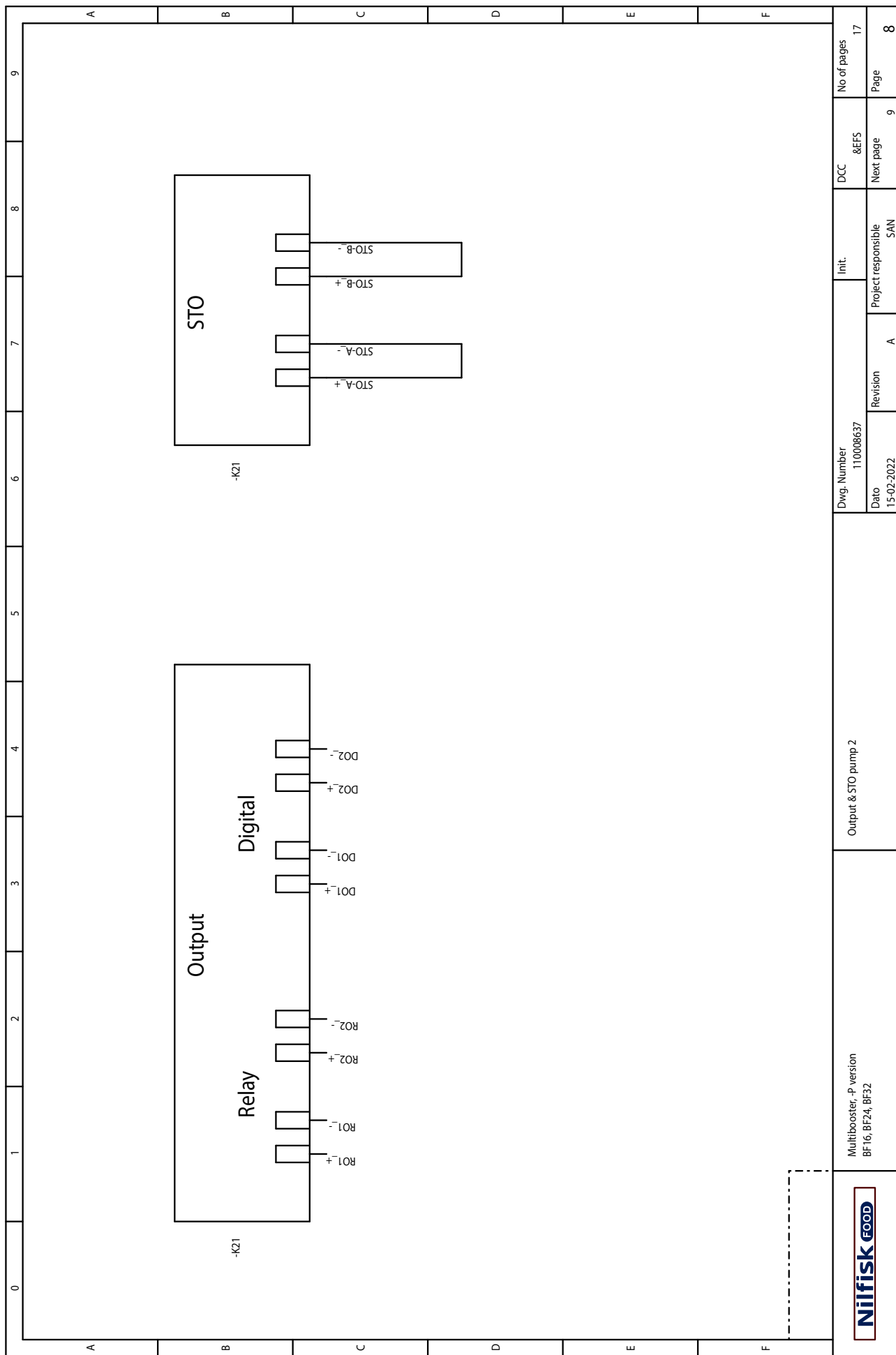
Project responsible  
SAN

DCC &EFS

Next page  
8

No of pages  
17

Page  
7



Multibooster, -P version  
BF16, BF24, BF32

Output & STO pump 2

Dwg. Number  
110008637

Date  
15-02-2022

Revision  
A

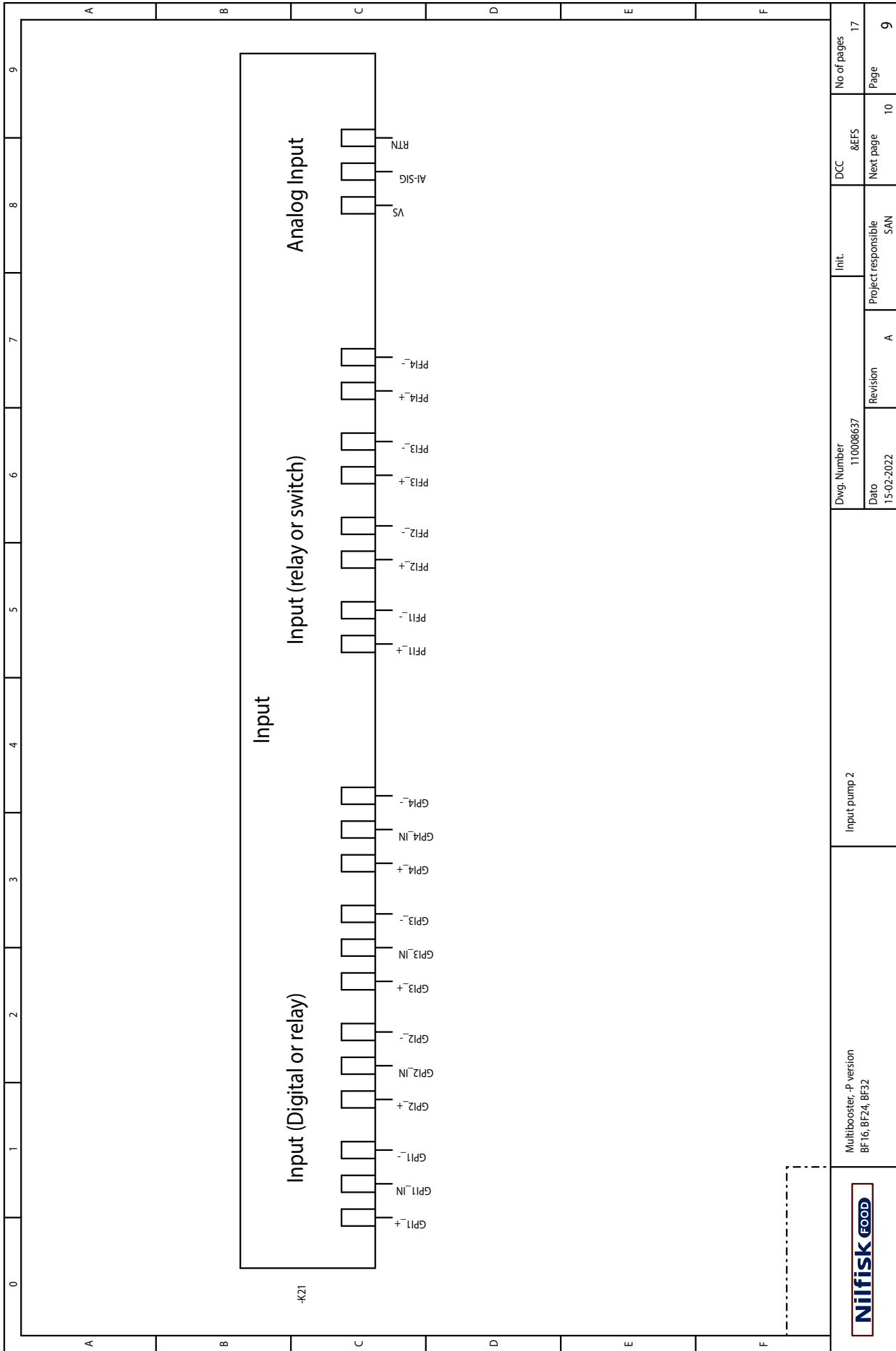
Project responsible  
SAN

DCC &EFS

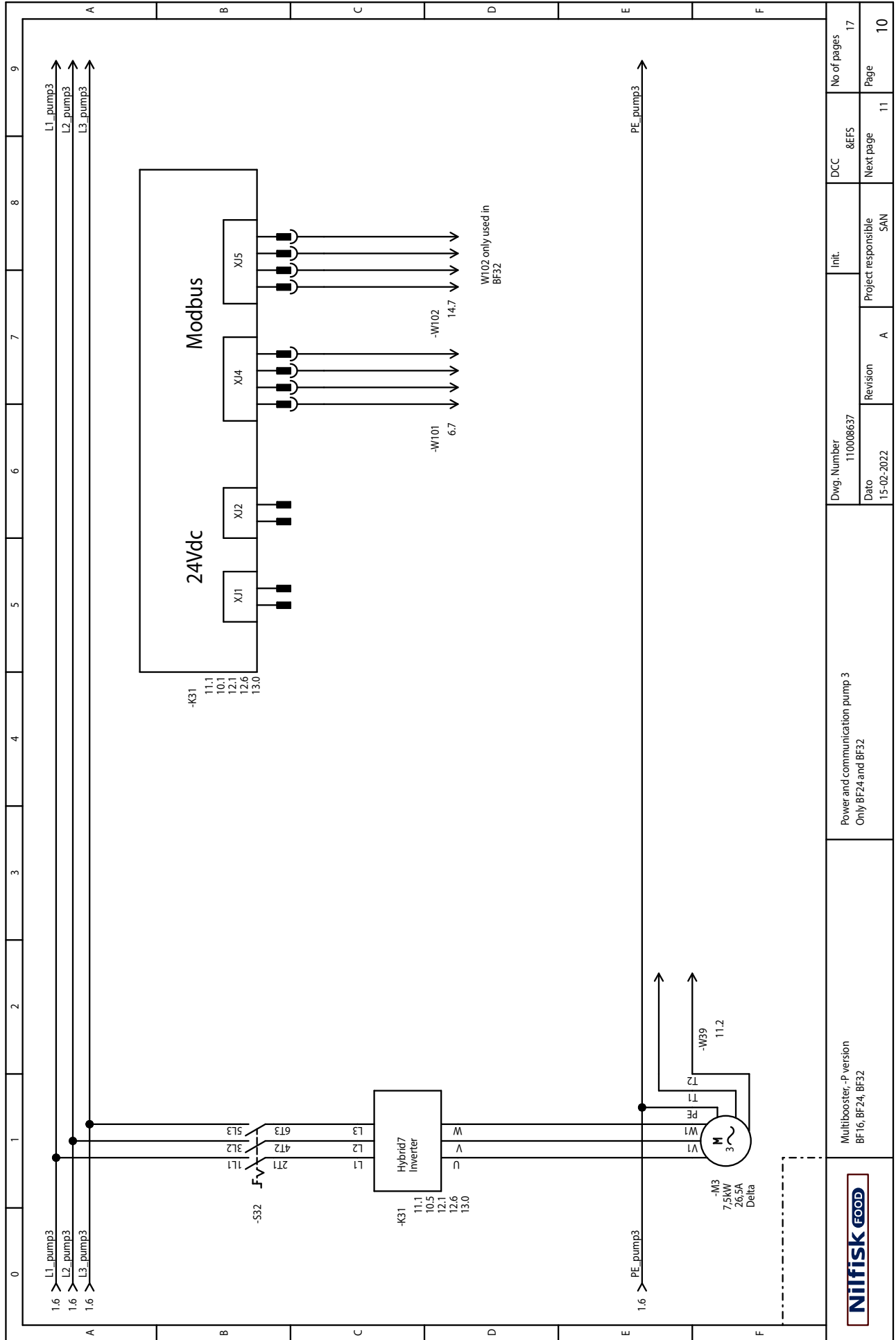
Next page  
9

No of pages

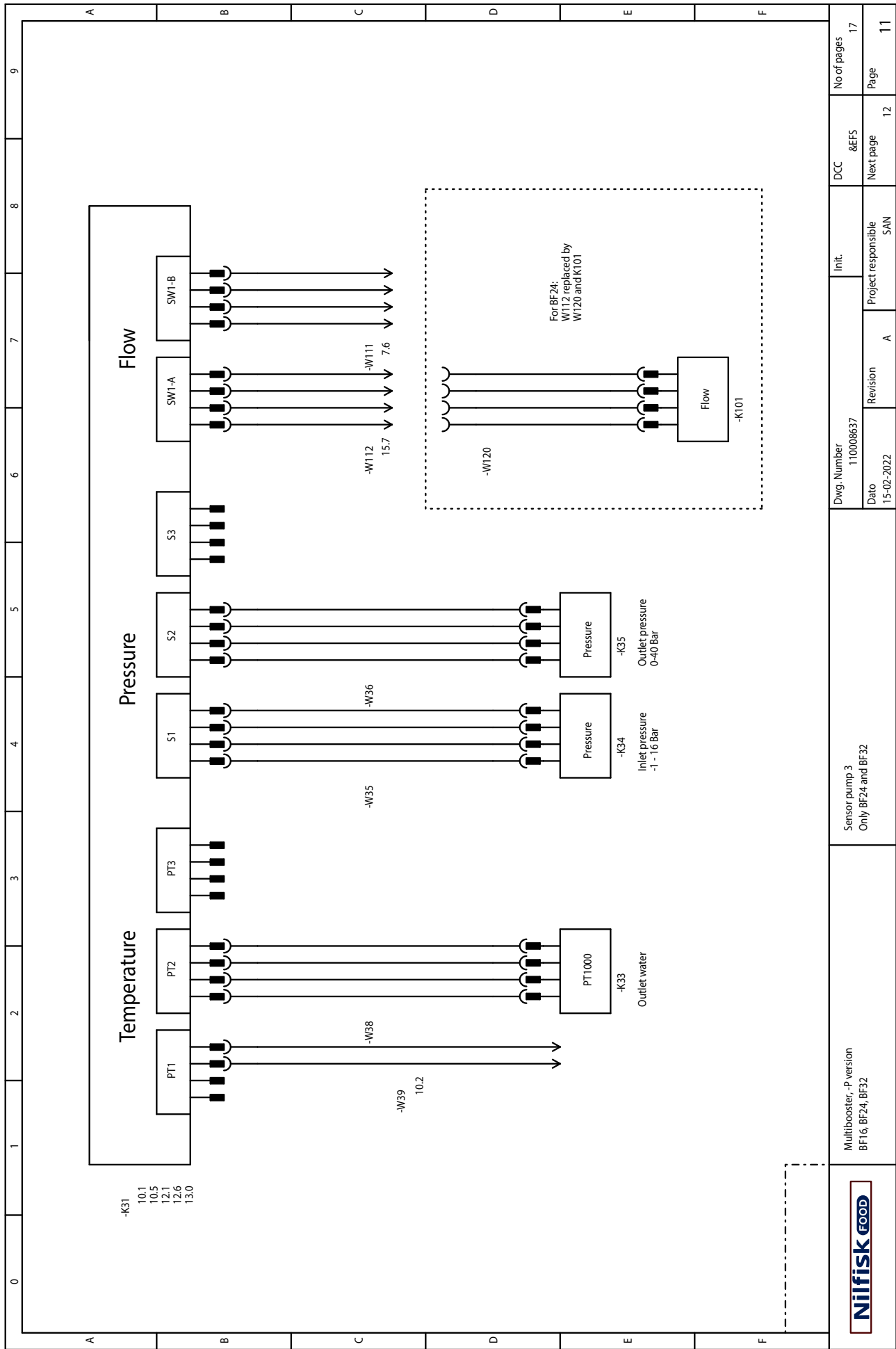
Page  
8



	Multibooster - P version BF16, BF24, BF32		Input pump 2		Dwg. Number 110008637 Date 15-02-2022		Init. Project responsible SAN		DCC &EFS	No of pages 17
					Revision A		Next page		10	Page 9



		Multibooster - P version BF16, BF24, BF32		Power and communication pump 3 Only BF24 and BF32		Dwg. Number 110008637		Init.: Project responsible SAN		DCC &EFS		No of pages 17	
						Date 15-02-2022		Revision A		Next page 11		Page 10	



0	1	2	3	4	5	6	7	8	9
---	---	---	---	---	---	---	---	---	---



Multibooster, -P version  
BF16, BF24, BF32

Sensor pump 3  
Only BF24 and BF32

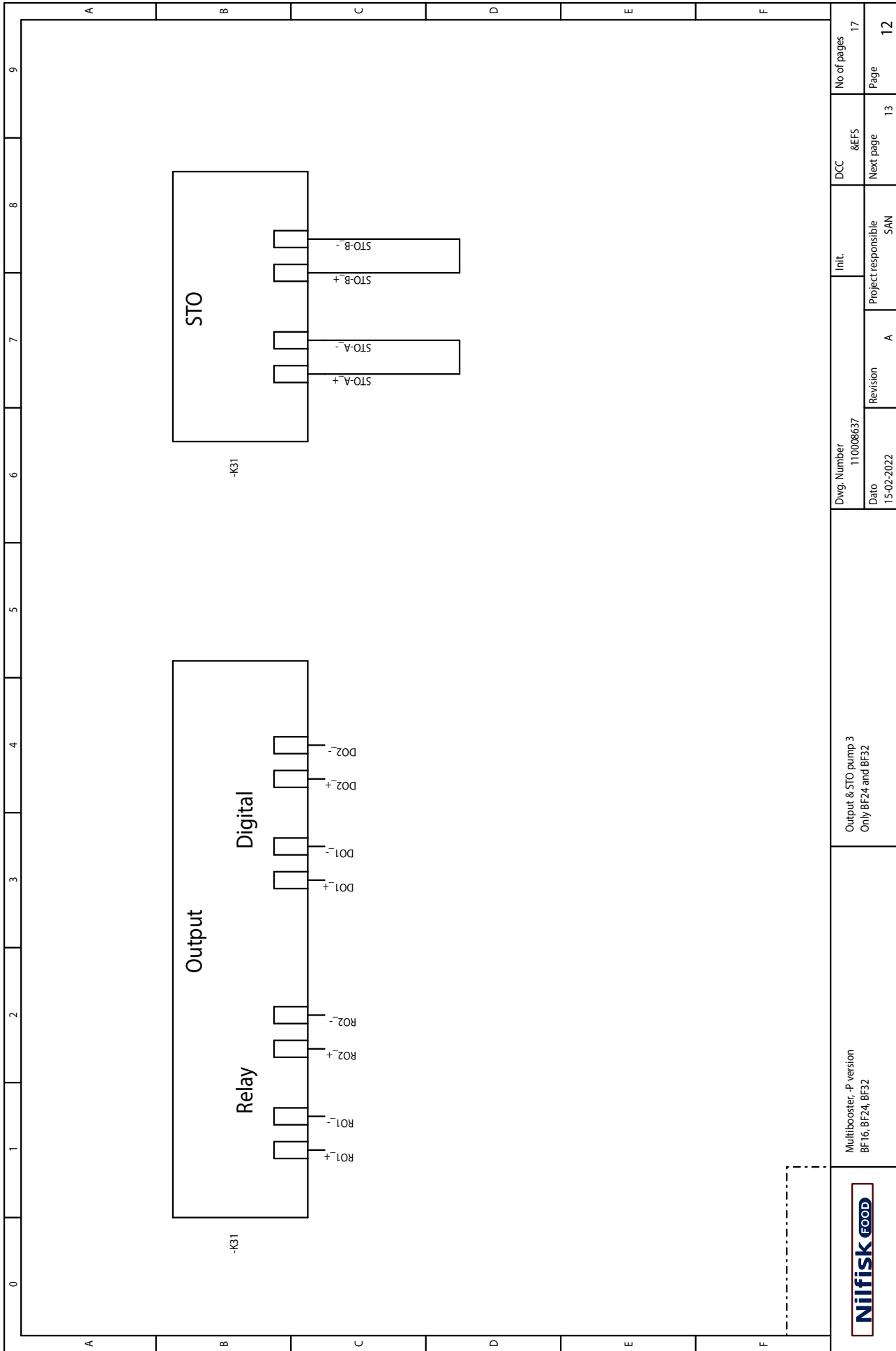
Dwg. Number  
110008637

Init.

DCC &EFS

No of pages  
17

Date 15-02-2022	Revision A	Project responsible SAN	Next page 12	Page 11
--------------------	---------------	----------------------------	-----------------	------------



Multibooster-P version  
BF16, BF24, BF32

Output & STO pump 3  
Only BF24 and BF32

Dwg. Number  
110008637

Date  
15-02-2022

Revision  
A

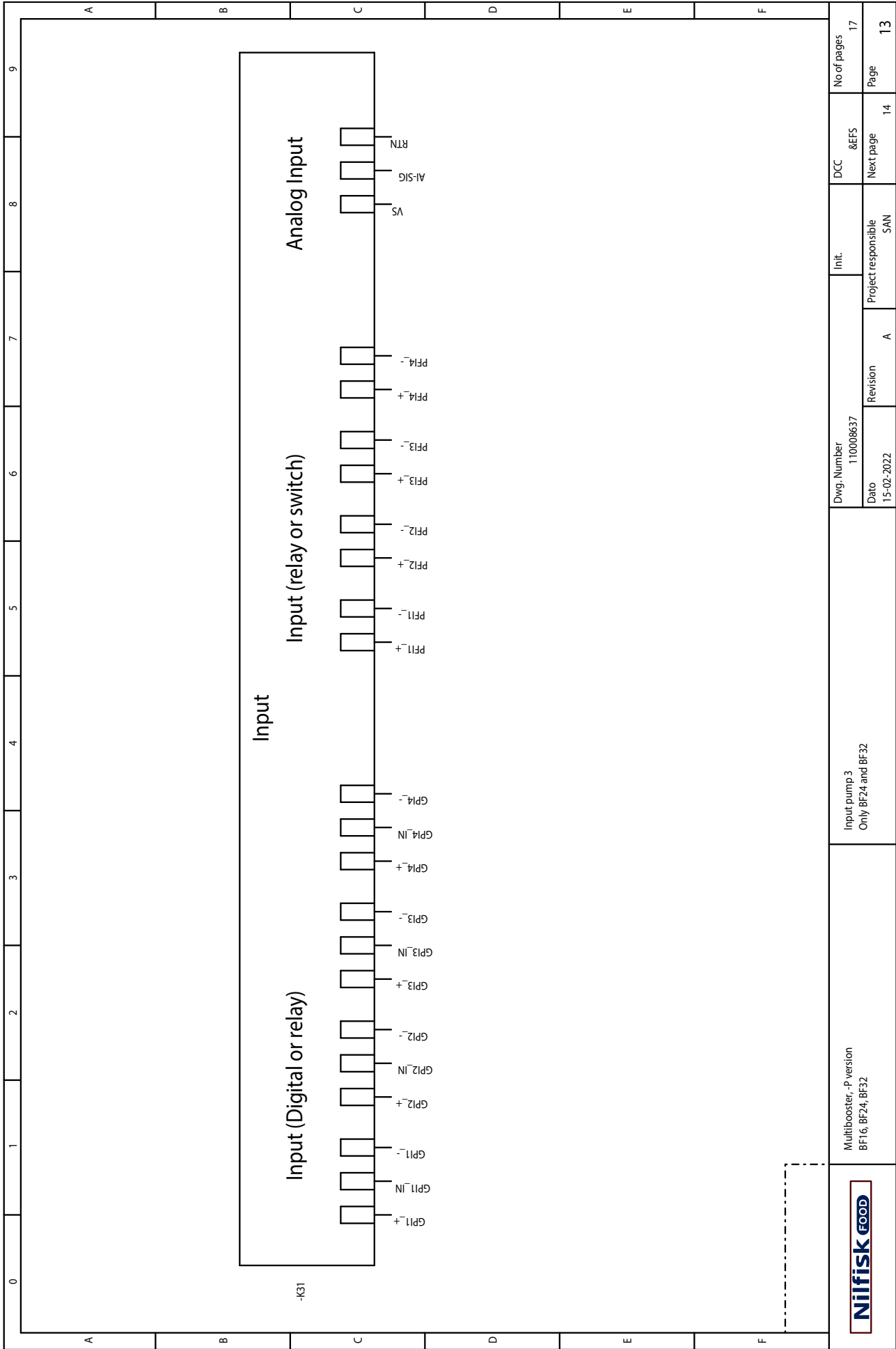
Project responsible  
SAN

DCC &EFS  
Next page

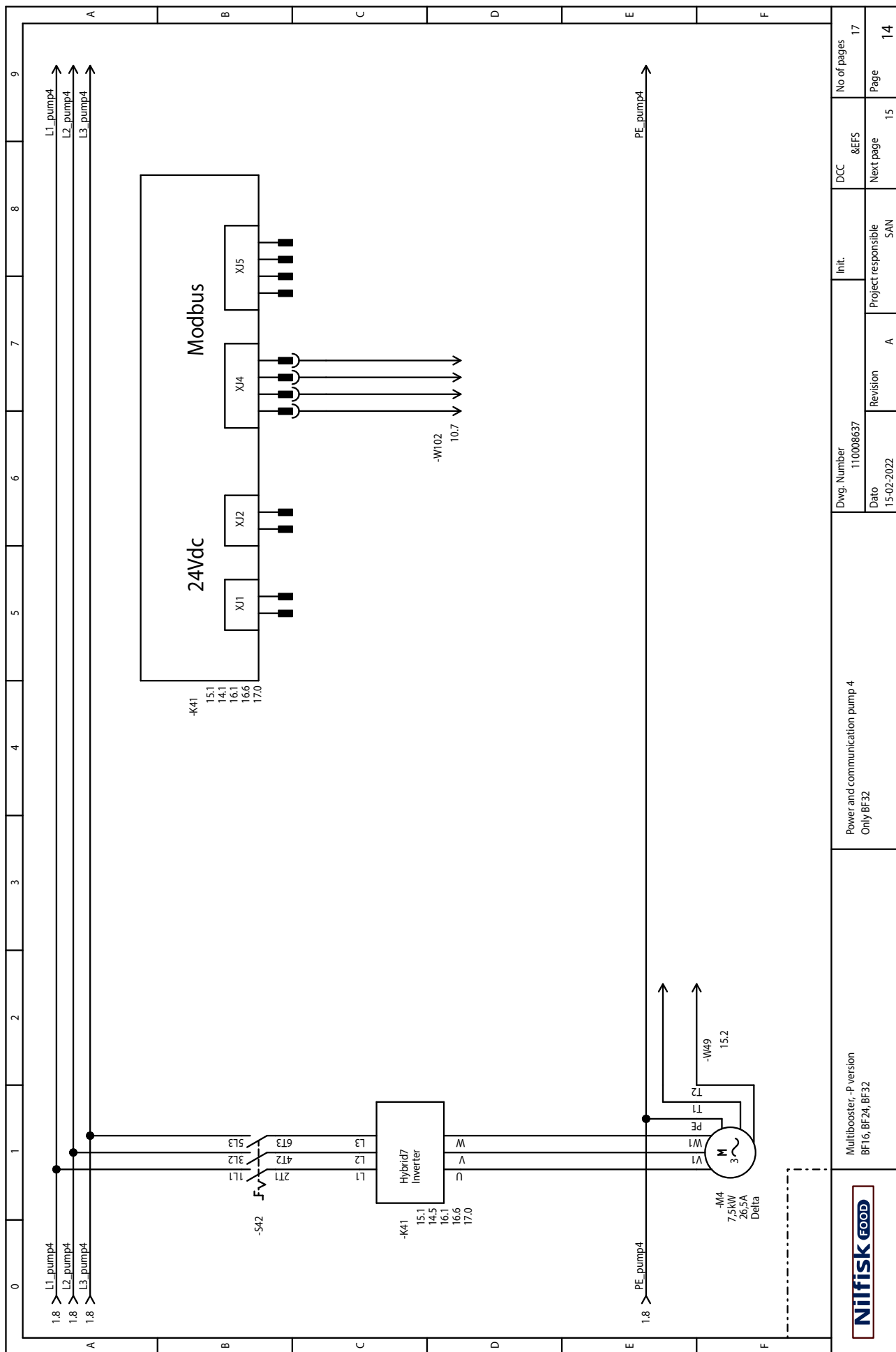
Page  
13

No of pages  
17

Page  
12





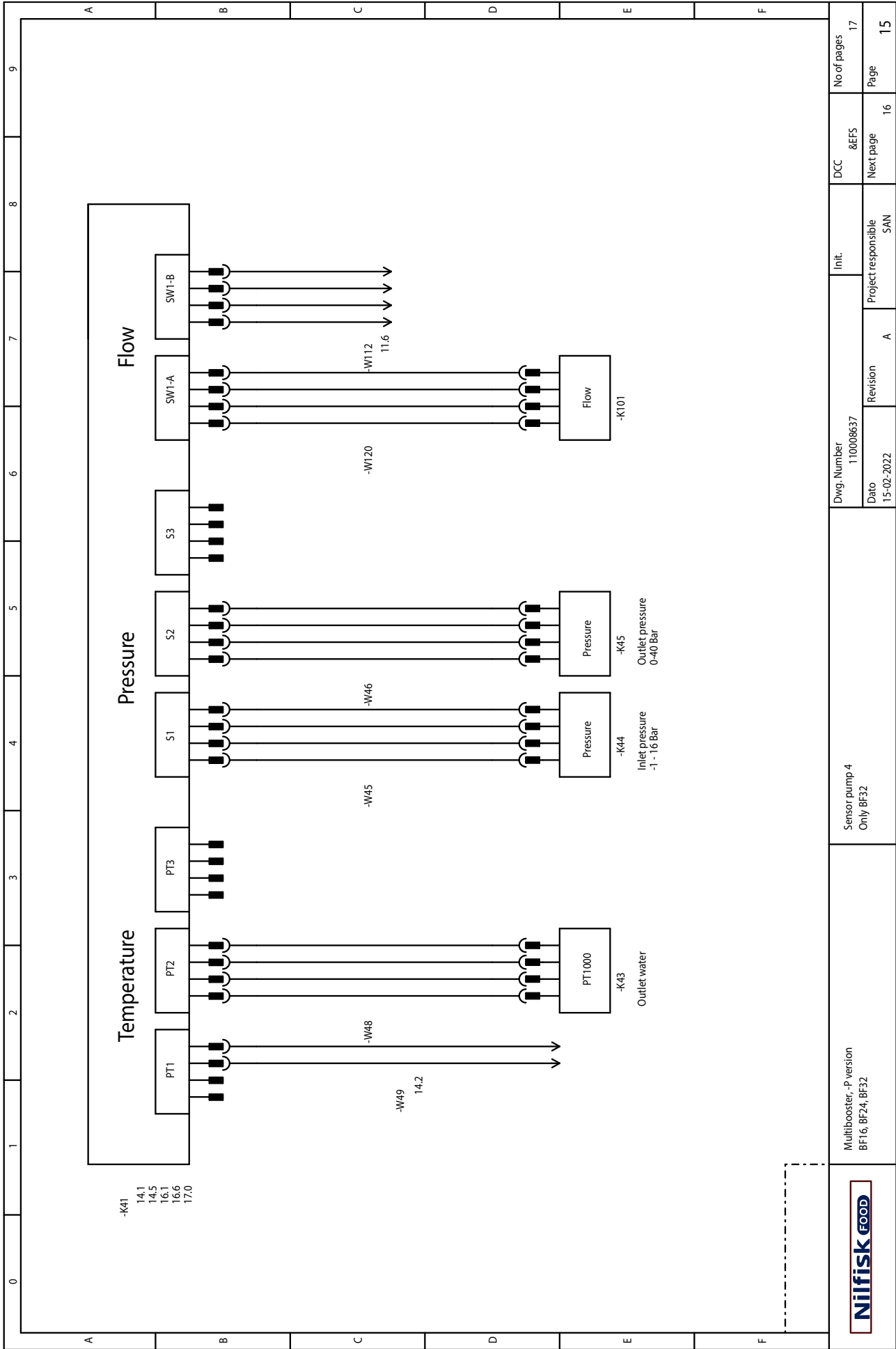


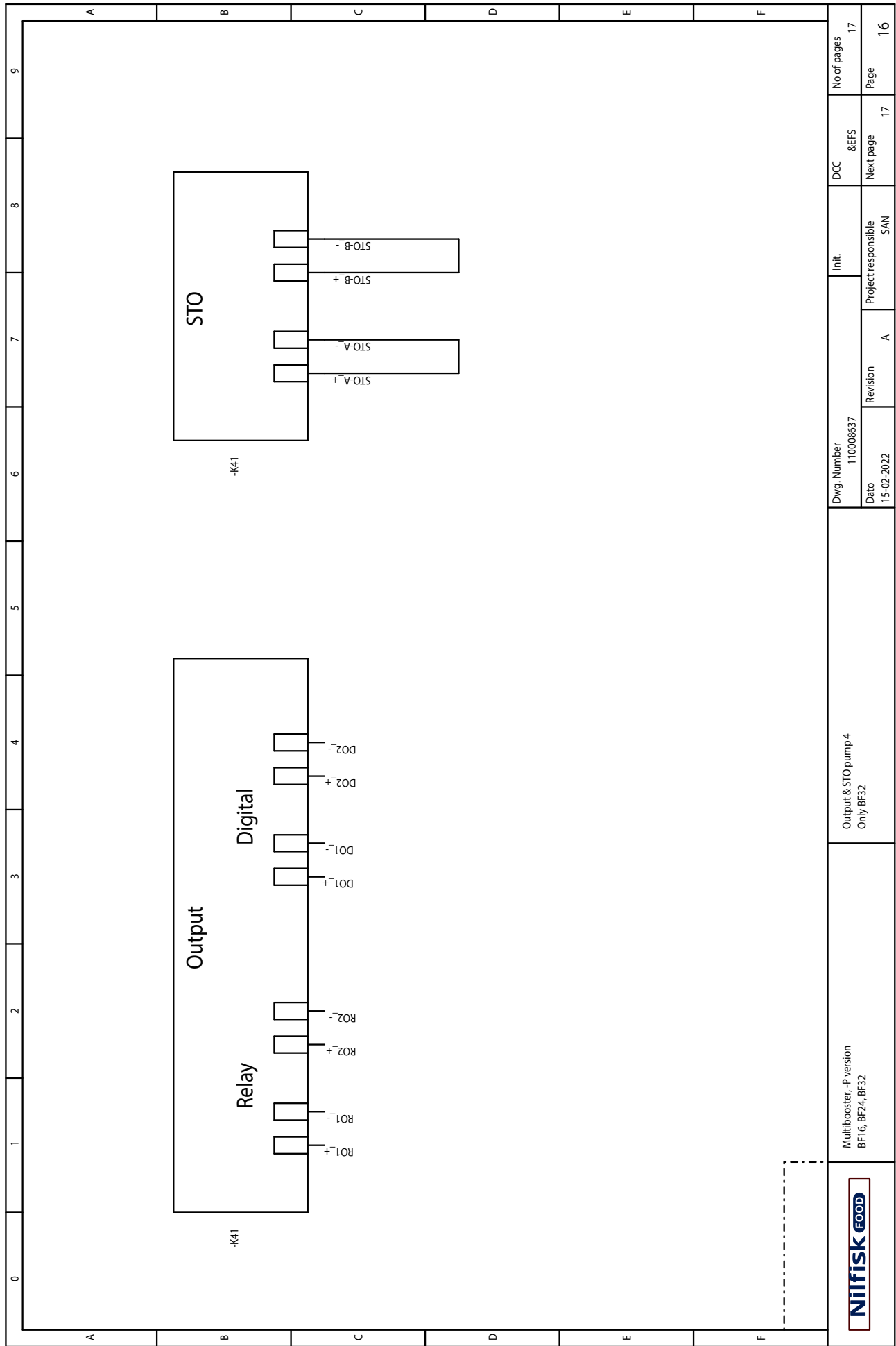
DCC &EFS		No of pages	
Next page		17	
Init.		Project responsible	
SAN		SAN	
Revision		A	
Dwg. Number		110008637	
Date		15-02-2022	
DCC &EFS		Next page	
15		14	



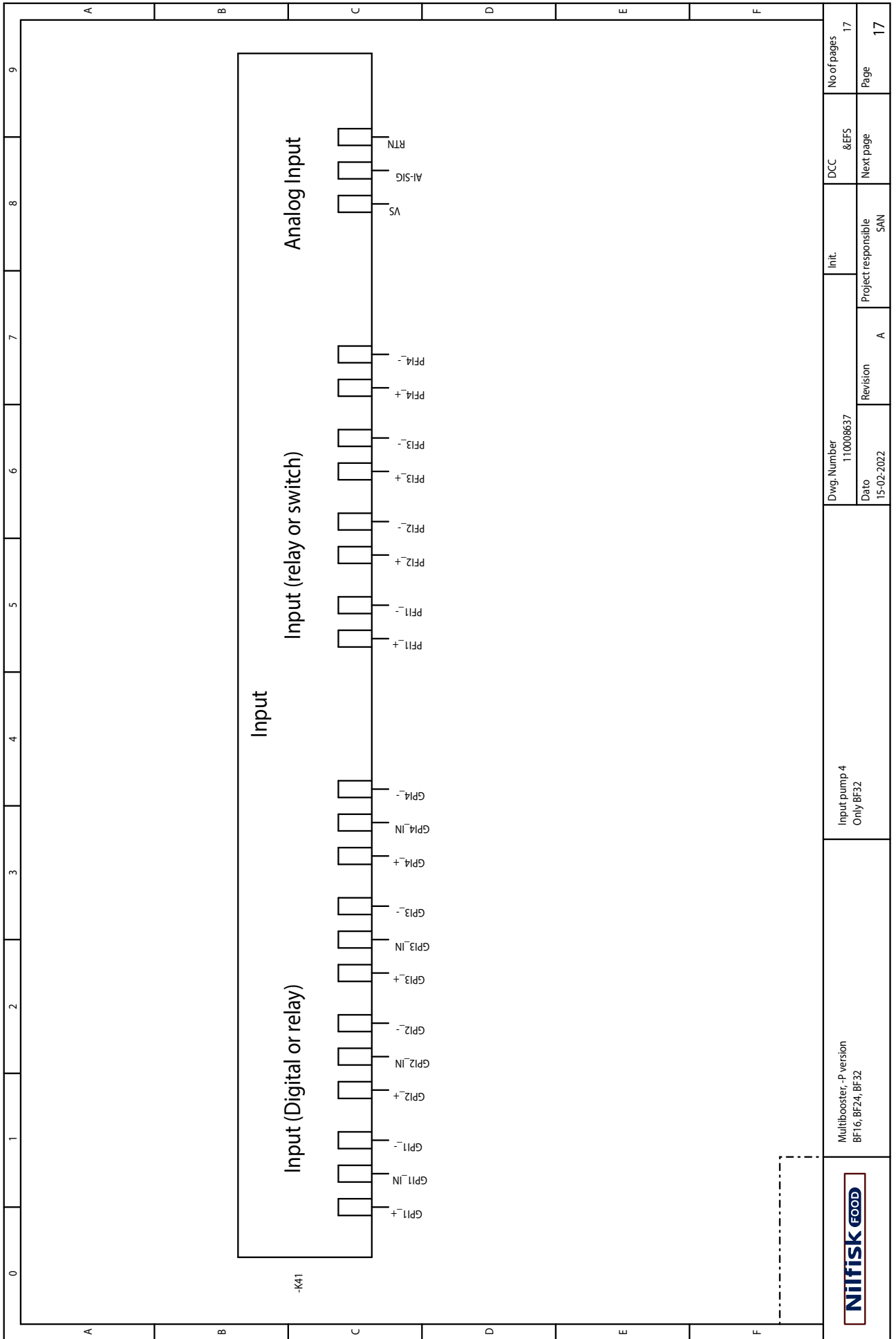
Multibooster, P-version  
BF16, BF24, BF32

Power and communication pump 4  
Only BF32

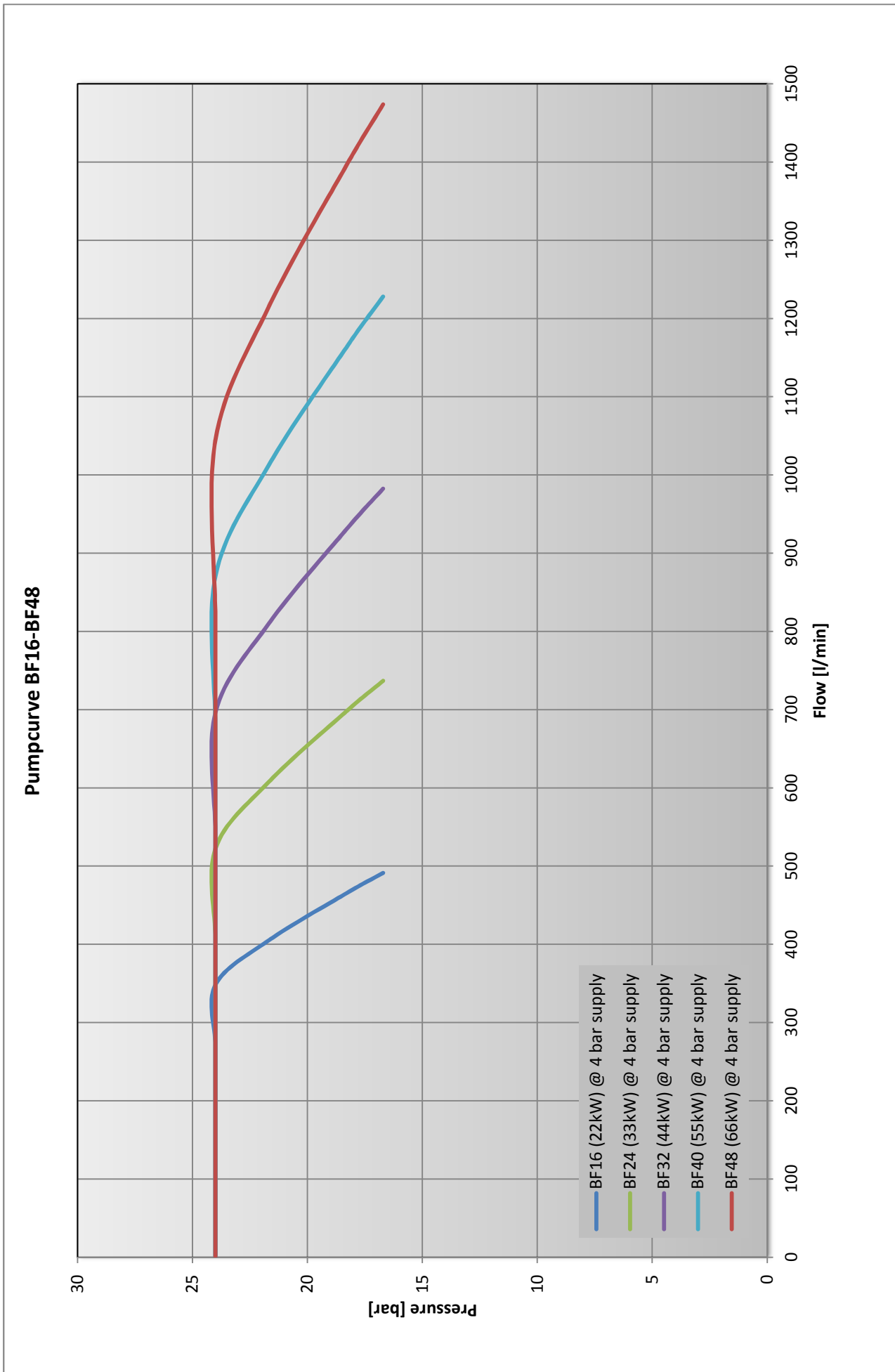




	Multibooster, -P version BF16, BF24, BF32	Output & STO pump 4 Only BF32	Dwg. Number 110008637	Init.	DCC &EFS	No of pages 17
			Date 15-02-2022	Revision A	Project responsible SAN	Next page 17
						Page 16



## 10. Pump curve



## 11. Declaration of Conformity

### Hybrid-P, BF16, BF24, BF32, BF40, BF48

- Ⓔ Declaration of Conformity
- Ⓓ Konformitätserklärung
- Ⓕ Déclaration de Conformité
- Ⓘ Dichiarazione di Conformità
  
- Ⓔ Declaración de Conformidad
- Ⓗ Declaração de Conformidade
- Ⓔ Δήλωση Συμμόρφωσης
- Ⓖ Overeenkomstigheidsverklaring
- Ⓔ Försäkran om överensstämmelse
- Ⓕ Vaatimustenmukaisuusvakuutus
- Ⓓ Overensstemmelseserklæring
- Ⓗ Deklaracja zgodności
- Ⓔ Декларация о соответствии
- Ⓔ Megfelelőségi nyilatkozat
- Ⓔ Izjava o skladnosti
- Ⓔ Izjava o usklađenosti
- Ⓔ Deklaracija o konformitetu
- Ⓔ Declarație de Conformitate

**Nilfisk FOOD**  
**Blytækkervej 2**  
**9000 Aalborg**  
**Danmark**

**EN Declaration of Conformity**

We Nilfisk FOOD, declare under our sole responsibility that the products Hybrid-P BF16+, BF24+, BF32+, BF40+, BF48+, to which this declaration relates, are in conformity with these Council directives on the approximation of the laws of the EC member states:

Function: Pumping Station  
Model/Type: Hybrid-P BF16-2+, BF24-3+, BF32-4+, BF40-5+, BF48-6+.  
Serial number: All

Machinery Directive (2006/42/EC:2006-05-17).  
Standard used: EN 60335-2-41/A2:2010

EMC Directive (2004/108/EC:2004-12-15).  
Standard used: EN 55014-1/A1:2021 and EN 55014-2/A2:2008  
Standard used: EN 61000-3-2/A2:2009 and EN 61000-3-3:2008

**FR Déclaration de conformité**

Nous, Nilfisk FOOD, déclarons sous notre propre responsabilité que les produits Hybrid-P BF16+, BF24+, BF32+, BF40+, BF48+, auxquels se réfère cette déclaration, sont conformes à ces directives du Conseil sur le rapprochement des législations des États membres :

Fonction : Station de pompage  
Modèle/Type :  
Hybrid-P BF16-2+, BF24-3+, BF32-4+, BF40-5+, BF48-6+.  
Numéro de série : Tous

Directive 2006/42/CE du 17 mai 2006 relative aux machines  
Normes appliquées : EN 60335-2-41/A2:2010

Directive CEM (2004/108/CE:2004-12-15).  
Normes appliquées : EN 55014-1/A1:2021 et EN 55014-2/A2:2008  
Normes appliquées : EN 61000-3-2/A2:2009 et EN 61000-3-3:2008

**DE Konformitätserklärung**

Nilfisk FOOD, als alleinverantwortlich, erklären hiermit, dass: Hybrid-P BF16+, BF24+, BF32+, BF40+, BF48+, in Übereinstimmung mit den Richtlinien zur Angleichung der Rechtsvorschriften der Mitgliedstaaten ist:

Funktion: Pumpenstation  
Modell/Typ:  
Hybrid-P BF16-2+, BF24-3+, BF32-4+, BF40-5+, BF48-6+.  
Seriennummer: Alle

Maschinendirektive (2006/42/EC:2006-05-17).  
Standarden: EN 60335-2-41/A2:2010

EMC Direktive (2004/108/EC:2004-12-15).  
Standarden: EN 55014-1/A1:2021 og EN 55014-2/A2:2008  
Standarden: EN 61000-3-2/A2:2009 og EN 61000-3-3:2008

**IT Dichiarazione di conformità**

Nilfisk FOOD dichiara sotto la sua esclusiva responsabilità che i prodotti Hybrid-P BF16+, BF24+, BF32+, BF40+, BF48+, ai quali fa riferimento la presente dichiarazione, sono conformi alle direttive del Consiglio concernenti il riavvicinamento delle legislazioni degli stati membri della UE:

Funzione: Stazione di pompaggio  
Modello/Tipo: Hybrid-P BF16-2+, BF24-3+, BF32-4+, BF40-5+, BF48-6+.  
Numero di serie: Tutti

Direttiva Macchine (2006/42/CE:2006-05-17).  
Standard utilizzato: EN 60335-2-41/A2:2010

Direttiva EMC (2004/108/CE:15.12.04).  
Standard utilizzato: EN 55014-1/A1:2021 ed EN 55014-2/A2:2008  
Standard utilizzato: EN 61000-3-2/A2:2009 ed EN 61000-3-3:2008

## **ES** Declaración de Conformidad

Nosotros, Nilfisk FOOD, declaramos bajo nuestra única responsabilidad que los productos Hybrid-P BF16+, BF24+, BF32+, BF40+, BF48+, a los que se refiere esta declaración cumplen con las directivas de este Consejo sobre la legislación de los estados miembros de la CE:

Función: Estación de bombeo

Modelo/tipo:

Hybrid-P BF16-2+, BF24-3+, BF32-4+, BF40-5+, BF48-6+.

Número de serie: All

Directiva sobre máquinas (2006/42/EC:2006-05-17).

Normativa usada: EN 60335-2-41/A2:2010

Directiva CEM (2004/108/EC:15.12.04).

Normativa usada: EN 55014-1/A1:2021 y EN 55014-2/A2:2008

Normativa usada: EN 61000-3-2/A2:2009 y EN 61000-3-3:2008

## **EL** Δήλωση Συμμόρφωσης

Εμείς η Nilfisk FOOD, δηλώνουμε υπό την αποκλειστική μας ευθύνη ότι τα προϊόντα Hybrid-P BF16+, BF24+, BF32+, BF40+, BF48+, με τον οποίο σχετίζεται αυτή η δήλωση, συμμορφώνονται με τις παρακάτω οδηγίες του συμβουλίου σχετικά με την προσέγγιση των νόμων των κρατών μελών της ΕΚ:

Λειτουργία: Σταθμός άντλησης

Μοντέλο/Τύπος:

Hybrid-P BF16-2+, BF24-3+, BF32-4+, BF40-5+, BF48-6+.

Αριθμός σειράς: Όλοι

Οδηγία περί μηχανημάτων (2006/42/EC:2006-05-17).

Χρησιμοποιούμενο πρότυπο: EN 60335-2-41/A2:2010

Οδηγία ΗΜΣ (2004/108/EC:15.12.04).

Χρησιμοποιούμενο πρότυπο: EN 55014-1/A1:2021 και EN 55014-2/A2:2008

Χρησιμοποιούμενο πρότυπο: EN 61000-3-2/A2:2009 και EN 61000-3-3:2008

## **SV** Försäkran om överensstämmelse

Vi Nilfisk FOOD, tillkännager, under eget ansvar, att produkterna Hybrid-P BF16+, BF24+, BF32+, BF40+, BF48+, som omfattas av denna försäkran, är i överensstämmelse med rådets direktiv om tillnärmning av medlemsstaternas lagstiftning i EG:

Funktion: Pumpstation

Modell/typ:

Hybrid-P BF16-2+, BF24-3+, BF32-4+, BF40-5+, BF48-6+.

Serienummer: Alla

Maskindirektiv (2006/42/EC:2006-05-17).

Standard som används: EN 60335-2-41/A2:2010

EMC-direktivet (2004/108/EG :2004-12-15).

Standard som används: EN 55014-1/A1:2021 och EN 55014-2/A2:2008

Standard som används: EN 61000-3-2/A2:2009 och EN 61000-3-3:2008

## **PT** Declaração de Conformidade

A Nilfisk FOOD declara, por sua exclusiva responsabilidade que os produtos Hybrid-P BF16+, BF24+, BF32+, BF40+, BF48+, referidos nesta declaração, se encontram em conformidade com estas diretivas do Conselho relativas à aproximação das disposições legislativas dos Estados-Membros da CE:

Função: Estação de bombagem

Modelo/Tipo: Hybrid-P BF16-2+, BF24-3+, BF32-4+, BF40-5+, BF48-6+.

Número de série: Todos

Diretiva relativa às máquinas (2006/42/CE:2006-05-17).

Norma utilizada: EN 60335-2-41/A2:2010

Diretiva CEM (2004/108/CE:2004-12-15).

Norma utilizada: EN 55014-1/A1:2021 e EN 55014-2/A2:2008

Norma utilizada: EN 61000-3-2/A2:2009 e EN 61000-3-3:2008

## **NL** Overeenkomstigheidsverklaring

Wij, Nilfisk FOOD, verklaren geheel onder eigen verantwoordelijkheid dat de producten Hybrid-P BF16+, BF24+, BF32+, BF40+, BF48+, waarop deze verklaring betrekking heeft, in overeenstemming zijn met de volgende Richtlijnen van de Raad betreffende de onderlinge aanpassing van de wetgevingen van de EG-lidstaten:

Funcție: Pompinstallatie

Model/Type: Hybrid-P BF16-2+, BF24-3+, BF32-4+, BF40-5+, BF48-6+.

Serienummer: Alle

Machinerichtlijn (2006/42/EG:17-05-2006).

Toegepaste norm: EN 60335-2-41/A2:2010

EMC-richtlijn (2004/108/EG:15-12-2004).

Toegepaste norm: EN 55014-1/A1:2021 en EN 55014-2/A2:2008

Toegepaste norm: EN 61000-3-2/A2:2009 en EN 61000-3-3:2008

## **FI** Vaatimustenmukaisuusvakuutus

Me Nilfisk FOOD vakuutamme yksinomaisella vastuulla, että tuotteet Hybrid-P BF16+, BF24+, BF32+, BF40+, BF48+, jota tämä vakuutus koskee, noudattavat direktiivejä, jotka käsittelevät EY:n jäsenvaltioiden lakien yhdenmukaisuutta koskien seuraavia:

Toiminto: Pumpuasema

Malli/tyyppi: Hybrid-P BF16-2+, BF24-3+, BF32-4+, BF40-5+, BF48-6+.

Sarjanumero: Kaikki

Konedirektiivi (2006/42/EY:2006-05-17).

Käytetty standardi: EN 60335-2-41/A2:2010

EMC-direktiivi (2004/108/EY:2004-12-15).

Käytetty standardi: EN 55014-1/A1:2021 ja EN 55014-2/A2:2008

Käytetty standardi: EN 61000-3-2/A2:2009 ja EN 61000-3-3:2008



## **DA** Overensstemmelseserklæring

Nilfisk FOOD, erklærer under eneansvar, at produktet: Hybrid-P BF16+, BF24+, BF32+, BF40+, BF48+, som denne erklæring vedrører, er i overensstemmelse med følgende direktiver om tilnærmelse af EU medlemslandenes love:

Function: Pumping Station

Model/Type:

Hybrid-P BF16-2+, BF24-3+, BF32-4+, BF40-5+, BF48-6+.

Serial number: All

Machinery Directive (2006/42/EC:2006-05-17).

Standard used: EN 60335-2-41/A2:2010

EMC Directive (2004/108/EC:2004-12-15).

Standard used: EN 55014-1/A1:2021 and EN 55014-2/A2:2008

Standard used: EN 61000-3-2/A2:2009 and EN 61000-3-3:2008

## **RU** Декларация о соответствии

Мы, Nilfisk FOOD, принимая на себя всю ответственность, заявляем, что продукты Усовершенствованная Hybrid-P BF16+, BF24+, BF32+, BF40+, BF48+, которых касается настоящая декларация, соответствуют данным директивам Совета о приблизительном соответствии законам стран-членов CE:

Функциональное назначение: Насосная станция

Модель/Тип:

Hybrid-P BF16-2+, BF24-3+, BF32-4+, BF40-5+, BF48-6+.

Серийный номер: все

Директива машин (2006/42/EC:17-05-2006).

Используемый стандарт: EN 60335-2-41/A2:2010

Директива ЭМС (2004/108/EC:15-12-2004).

Используемый стандарт: EN 55014-1/A1:2021 и EN 55014-2/A2:2008

Используемый стандарт: EN 61000-3-2/A2:2009 и EN 61000-3-3:2008

## **SL** Izjava o skladnosti

V Nilfisk FOODu s polno odgovornostjo izjavljamo, da so naši izdelki Hybrid-P BF16+, BF24+, BF32+, BF40+, BF48+, na katere se ta izjava nanaša, v skladu z naslednjimi direktivami Sveta o približevanju zakonodaje za izenačevanje pravnih predpisov držav članic ES:

Funkcija: Črpalna postaja

Model/Tip:

Hybrid-P BF16-2+, BF24-3+, BF32-4+, BF40-5+, BF48-6+.

Serijska številka: Vse

Direktiva o strojih (2006/42/EC:2006-05-17).

Uporabljeni standardi: EN 60335-2-41/A2:2010

Direktiva o elektromagnetni združljivosti (2004/108/EC:2004-12-15).

Uporabljeni standardi: EN 55014-1/A1:2021 and EN 55014-2/A2:2008

Uporabljeni standardi: EN 61000-3-2/A2:2009 and EN 61000-3-3:2008

## **PL** Deklaracja zgodności

Firma Nilfisk ALTO z pełną odpowiedzialnością oświadcza, że produkty Hybrid-P BF16+, BF24+, BF32+, BF40+, BF48+, których dotyczy ta deklaracja, spełniają wymogi poniższych dyrektywa Rady zgodnymi z prawem obowiązującym państwa członkowskie UE:

Funkcja: Stacja pompująca

Model/typ Hybrid-P BF16-2+, BF24-3+, BF32-4+, BF40-5+, BF48-6+.

Numer seryjny: Wszystkie

Dyrektywa Maszynowa (2006/42/EC:2006-05-17).

Stosowana norma: EN 60335-2-41/A2:2010

Dyrektywa w sprawie kompatybilności elektromagnetycznej (2004/108/EC:15.12.04).

Stosowane normy: EN 55014-1/A1:2021 i EN 55014-2/A2:2008

Stosowane normy: EN 61000-3-2/A2:2009 i EN 61000-3-3:2008

## **HU** Megfelelőségi nyilatkozat

Mi, a Nilfisk FOOD, kizárólagos felelősségünk tudatában kijelentjük, hogy a Hybrid-P BF16+, BF24+, BF32+, BF40+, BF48+, amelyekre ez a nyilatkozat vonatkozik, megfelelnek az EU tagállamok törvényi rendelkezéseinek közzétételéről szóló tanácsi irányelveknek:

Funkció: Szivattyútelep

Modell/Típus: Hybrid-P BF16-2+, BF24-3+, BF32-4+, BF40-5+, BF48-6+.

Sorozatszám: Összes

Gépekre vonatkozó irányelv (2006/42/EC:2006-05-17).

Alkalmazott szabvány: EN 60335-2-41/A2:2010

EMC irányelv (2004/108/EC:2004-12-15).

Alkalmazott szabvány: EN 55014-1/A1:2021 és EN 55014-2/A2:2008

Alkalmazott szabvány: EN 61000-3-2/A2:2009 és EN 61000-3-3:2008

## **HR** Izjava o usklađenosti

Mi, Nilfisk FOOD, izjavljujemo pod vlastitom odgovornošću da je proizvod Hybrid-P BF16+, BF24+, BF32+, BF40+, BF48+, na koji se ova izjava odnosi, u skladu s direktivama ovog Vijeća o usklađivanju zakona država članica EU:

Funkcija: Pumpna postaja

Model/vrsta: Hybrid-P BF16-2+, BF24-3+, BF32-4+, BF40-5+, BF48-6+.

Serijski broj: Svi

Izjava o strojevima (2006/42/EC:2006-05-17).

Primijenjena norma: EN 60335-2-41/A2:2010

Izjava o elektromagnetskoj kompatibilnosti (2004/108/EC:2004-12-15).

Primijenjena norma: EN 55014-1/A1:2021 i EN 55014-2/A2:2008

Primijenjena norma: EN 61000-3-2/A2:2009 i EN 61000-3-3:2008

## **SR** Deklaracija o konformitetu

Mi, Nilfisk FOOD, izjavljujemo pod vlastitom odgovornošću da je proizvod Hybrid-P BF16+, BF24+, BF32+, BF40+, BF48+, na koji se ova izjava odnosi, u skladu sa direktivama, Saveta za usklađivanje zakona država članica EU:

Funkcija: Stanica za pumpanje

Model/tip:

Hybrid-P BF16-2+, BF24-3+, BF32-4+, BF40-5+, BF48-6+.

serijski broj: Kompletna

direktiva o mašinama (2006/42/EC:2006-05-17).

Primenjen standard: EN 60335-2-41/A2:2010

EMC direktiva (2004/108/EC:2004-12-15).

Primenjen standard: EN 55014-1/A1:2021 i EN 55014-2/A2:2008

Primenjen standard: EN 61000-3-2/A2:2009 i EN 61000-3-3:2008

## **RO** Declarație de Conformitate

Noi, Nilfisk FOOD, declarăm pe propria răspundere că produsele Hybrid-P BF16+, BF24+, BF32+, BF40+, BF48+, la care se referă această declarație, sunt în conformitate cu aceste Directive de Consiliu asupra armonizării legilor Statelor Membre CE:

Funcție: Stație de igienizare și de pompare

Model/Tip: Hybrid-P BF16-2+, BF24-3+, BF32-4+, BF40-5+, BF48-6+.

Număr de serie: toate

Directiva Mașini (2006/42/EC:2006-05-17).

Standarde utilizate: EN 60335-2-41/A2:2010

Directiva EMC (2004/108/EC:15.12.04).

Standarde utilizate: EN 55014-1/A1:2021 și EN 55014-2/A2:2008

Standarde utilizate: EN 61000-3-2/A2:2009 și EN 61000-3-3:2008

## **BG** Декларация за съответствие

Ние, фирма Nilfisk FOOD, заявяваме с пълна отговорност, че продуктите Hybrid-P BF16+, BF24+, BF32+, BF40+, BF48+, за които се отнася настоящата декларация, отговарят на следните указания на Съвета за уеднаквяване на правните разпоредби на държавите членки на ЕС:

Функция: Помпена станция

Модел/Тип:

Hybrid-P BF16-2+, BF24-3+, BF32-4+, BF40-5+, BF48-6+.

Сериен номер: Всички

Директива относно машините (2006/42/EO: 17.05.2006 г.).

Използван стандарт: EN 60335-2-41/A2:2010

Директива относно електромагнитната съвместимост (2004/108/EO: 15.12.2004 г.).

Използван стандарт: EN 55014-1/A1:2021 и EN 55014-2/A2:2008

Използван стандарт: EN 61000-3-2/A2:2009 и EN 61000-3-3:2008

## **SK** Prehlásenie o konformite

My firma Nilfisk FOOD prehlasujeme na svoju plnú zodpovednosť, že výrobky Hybrid-PBF16+, BF24+, BF32+, BF40+, BF48+, na ktoré sa toto prehlásenie vzťahuje, sú v súlade s ustanovením smernice Rady pre zblíženie právnych predpisov členských štátov Európskeho spoločenstva v oblastiach:

Funkcia: Čerpacia stanica

Model/typ:

Hybrid-P BF16-2+, BF24-3+, BF32-4+, BF40-5+, BF48-6+.

Sériové číslo: Všetky

Smernica o strojních zariadeniach (2006/42/ES: 17.5.2006).

Použitá norma: EN 60335-2-41/A2: 2010

Smernica o elektromagnetickej kompatibilite (2004/108/ES: 15.12.2004).

Použitá norma: EN 55014-1/A1: 2021 a EN 55014-2/A2: 2008

Použitá norma: EN 61000-3-2/A2: 2009 a EN 61000-3-3: 2008

## **CS** Prohlášení o shodě

My firma Nilfisk FOOD prohlašujeme na svou plnou odpovědnost, že výrobky Hybrid-P BF16+, BF24+, BF32+, BF40+, BF48+, na něž se toto prohlášení vztahuje, jsou v souladu s ustanoveními směrnice Rady pro sblížení právních předpisů členských států Evropského společenství v oblastech:

Funkce: Čerpací stanice

Model/Typ: Hybrid-P BF16-2+, BF24-3+, BF32-4+, BF40-5+, BF48-6+.

Výrobní číslo: Všechna

Směrnice o strojních zařízeních (2006/42/EC:2006-05-17).

Použitá norma: EN 60335-2-41/A2:2010

Směrnice EMC (2004/108/EC:2004-12-15).

Použitá norma: EN 55014-1/A1:2021 a EN 55014-2/A2:2008

Použitá norma: EN 61000-3-2/A2:2009 a EN 61000-3-3:2008

## **TR** Uygunluk Bildirgesi

Nilfisk FOOD olarak bu beyannameye konu olan Hybrid-P BF16+, BF24+, BF32+, BF40+, BF48+, ürünlerinin, AB Üyesi Ülkelerin kanunlarını birbirine yaklaştırma üzerine Konsey Direktifleriyle uyumlu olduğunu yalnızca bizim sorumluluğumuz altında olduğunu beyan ederiz:

Fonksiyon: Pompalama İstasyonu

Model/Tip: Hybrid-P BF16-2+, BF24-3+, BF32-4+, BF40-5+, BF48-6+.

Seri numarasi: Tümü

Makine Direktifi (2006/42/EC:2006-05-17).

Kullanılmış standartlar: EN 60335-2-41/A2:2010

EMC Direktifi (2004/108/EC:2004-12-15).

Kullanılmış standartlar: EN 55014-1/A1:2021 ve EN 55014-2/A2:2008

Kullanılmış standartlar: EN 61000-3-2/A2:2009 ve EN 61000-3-3:2008

## **ET** Vastavusdeklaratsioon

Meie, Nilfisk FOOD, deklareerime enda ainuvastutusele, et tooted Hybrid-P BF16+, BF24+, BF32+, BF40+, BF48+, mille kohta käesolev juhend käib, on vastavuses EÜ Nõukogu direktiividega EMÜ liikmesriikide seaduste ühitamise kohta, mis käsitlevad:

Funktsioon: Pumbajaam  
Mudel/tüüp:  
Hybrid-P BF16-2+, BF24-3+, BF32-4+, BF40-5+, BF48-6+.  
Seerianumber: kõik

Masinaidirektiiv (2006/42/EÜ:2006-05-17).  
Kasutatav standard: EN 60335-2-41/A2:2010

Elektromagnetilise ühilduvuse (EMC) direktiiv (2004/108/EÜ:2004-12-15).  
Kasutatav standard: EN 55014-1/A1:2021 ja EN 55014-2/A2:2008  
Kasutatav standard: EN 61000-3-2/A2:2009 ja EN 61000-3-3:2008

## **LT** Atitikties deklaracija

Mes, Nilfisk FOOD, su visa atsakomybe pareiškiame, kad gaminiai Hybrid-P BF16+, BF24+, BF32+, BF40+, BF48+, kuriems skirta ši deklaracija, atitinka šias Tarybos Direktyvas dėl Europos Ekonominės Bendrijos šalių narijų statymų suderinimo:

Paskirtis: Pumpavimo terminalas  
Modelis / tipas:  
Hybrid-P BF16-2+, BF24-3+, BF32-4+, BF40-5+, BF48-6+.  
Serijos numeris: visi

Mašinų direktyvą (2006/42/EB:2006-05-17),  
taikytas standartas: EN 60335-2-41/A2:2010;

Elektromagnetinio suderinamumo direktyvą (2004/108/EB:2004-12-15),  
taikytas standartas: EN 55014-1/A1:2021 ir EN 55014-2/A2:2008,  
taikytas standartas: EN 61000-3-2/A2:2009 ir EN 61000-3-3:2008

## **LV** Paziņojums par atbilstību prasībām

Sabiedrība Nilfisk FOOD ar pilnu atbildību dara zināmu, ka produkti Hybrid-P BF16+, BF24+, BF32+, BF40+, BF48+, uz kuriem attiecas šis paziņojums, atbilst šādām Padomes direktīvām par tuvināšanas EK dalībvalstu likumdošanas normām:

Funkcija: Sūkņa stacija  
Modelis/tips:  
Hybrid-P BF16-2+, BF24-3+, BF32-4+, BF40-5+, BF48-6+.  
Sērijas numurs: visi.

Mašīnu direktīva (2006/42/EK, 17.05.2006.)  
Izmantotais standarts: EN 60335-2-41/A2:2010

Elektromagnētiskās savietojamības direktīva (2004/108/EK, 15.12.2004.)  
Izmantotais standarts: EN 55014-1/A1:2021 un EN 55014-2/A2:2008  
Izmantotais standarts: EN 61000-3-2/A2:2009 un EN 61000-3-3:2008

## **UK** Свідчення про відповідність вимогам

Компанія Nilfisk FOOD заявляє про свою виключну відповідальність за те, що продукти Hybrid-P BF16+, BF24+, BF32+, BF40+, BF48+, на які поширюється дана декларація, відповідають таким рекомендаціям Ради з уніфікації правових норм країн -членів ЕС:

Функція: Насосна станція  
Модель/Тип: Hybrid-P BF16-2+, BF24-3+, BF32-4+, BF40-5+, BF48-6+.  
Серійний номер: усі

Директива щодо машинного обладнання (2006/42/EC:2006-05-17).  
Використаний стандарт: EN 60335-2-41/A2:2010

Директива щодо електромагнітної сумісності (2004/108/EC:2004-12-15).  
Використаний стандарт: EN 55014-1/A1:2021 та EN 55014-2/A2:2008  
Використаний стандарт: EN 61000-3-2/A2:2009 та EN 61000-3-3:2008

## Technical file responsible:

### Signature:



Flemming Asp  
R & D Manager  
Aalborg d. 11-05-2022

# Inhalt DE

1. Beschreibung.....	37
1.1 Layout Multi Booster BF16 - BF24.....	38
1.2 Layout Multi Booster BF32 - BF40 - BF48.....	39
1.3 Funktionsdiagramme Multi Booster BF16 - BF24 - BF32 - BF40 - BF48.....	40
2. Wartung.....	41
2.1 Filter.....	41
2.2 Längere Stopps.....	41
3. Start.....	41
3.1 Eine neue Anlage.....	41
2	
4. Tagliche Inbetriebnahme.....	41
4.1 Starten.....	41
4.2 Stoppen.....	41
5. Service / inspektion.....	42
5.1 Komponenten.....	42
5.1.1 Pumpe / Motor.....	42
5.1.2 Kontrolsystem.....	42
5.1.3 Flowtrigger.....	42
5.1.4 Rückschlagventil / Zugangsseite.....	42
5.2 Recycling und Entsorgung.....	42
6. Fehlersuche.....	43
6.1 Die Anlage will nicht starten.....	43
6.2 "Δ"- Lampe an dem Kontroll-Paneel leuchtet.....	44
6.3 Der Druck ist zu niedrig instabil.....	44
7. Empfehlenswerte Ersatzteile.....	45
8. Spezifikationen.....	45
9. Schaltplan.....	46
10. Pumpenkurve.....	63
11. Konformitätserklärung.....	64



## 1. Beschreibung

Der Booster in der Hybrid-P-Serie ist eine vollständig arbeitende Pumpstation, die unter Druck gesetztes Wasser an verbundene Satellitenhygienestationen liefert. Gemäß den Spezifikationen, muss die Booster immer mit genügender Wasserzufuhr und Stromversorgung versorgt werden.

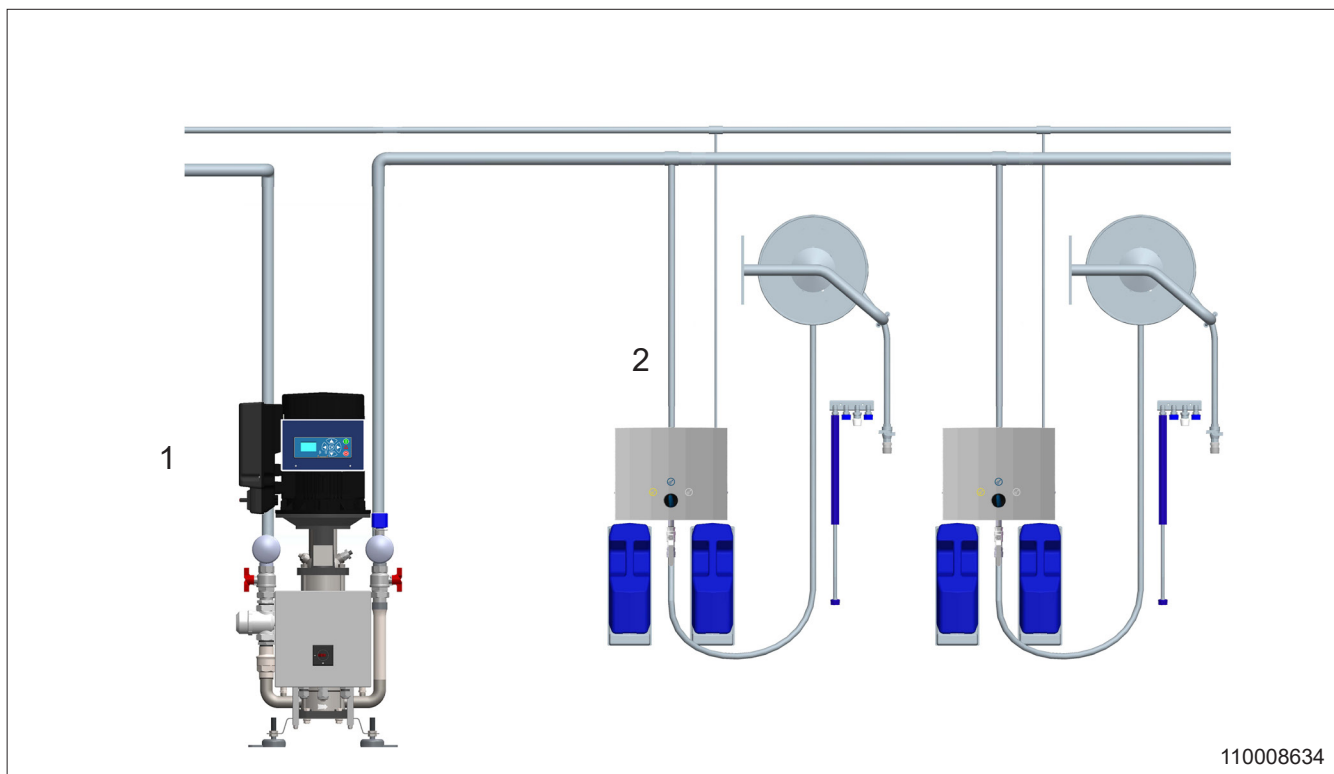
Die Anlage ist nun für allerlei Hygieneaufgaben bereit.

Der Booster wird einer Frequenzgesteuerten Pumpe angepasst, die, unabhängig vom Verbrauchsmuster, einen konstant arbeitenden Druck sichert.

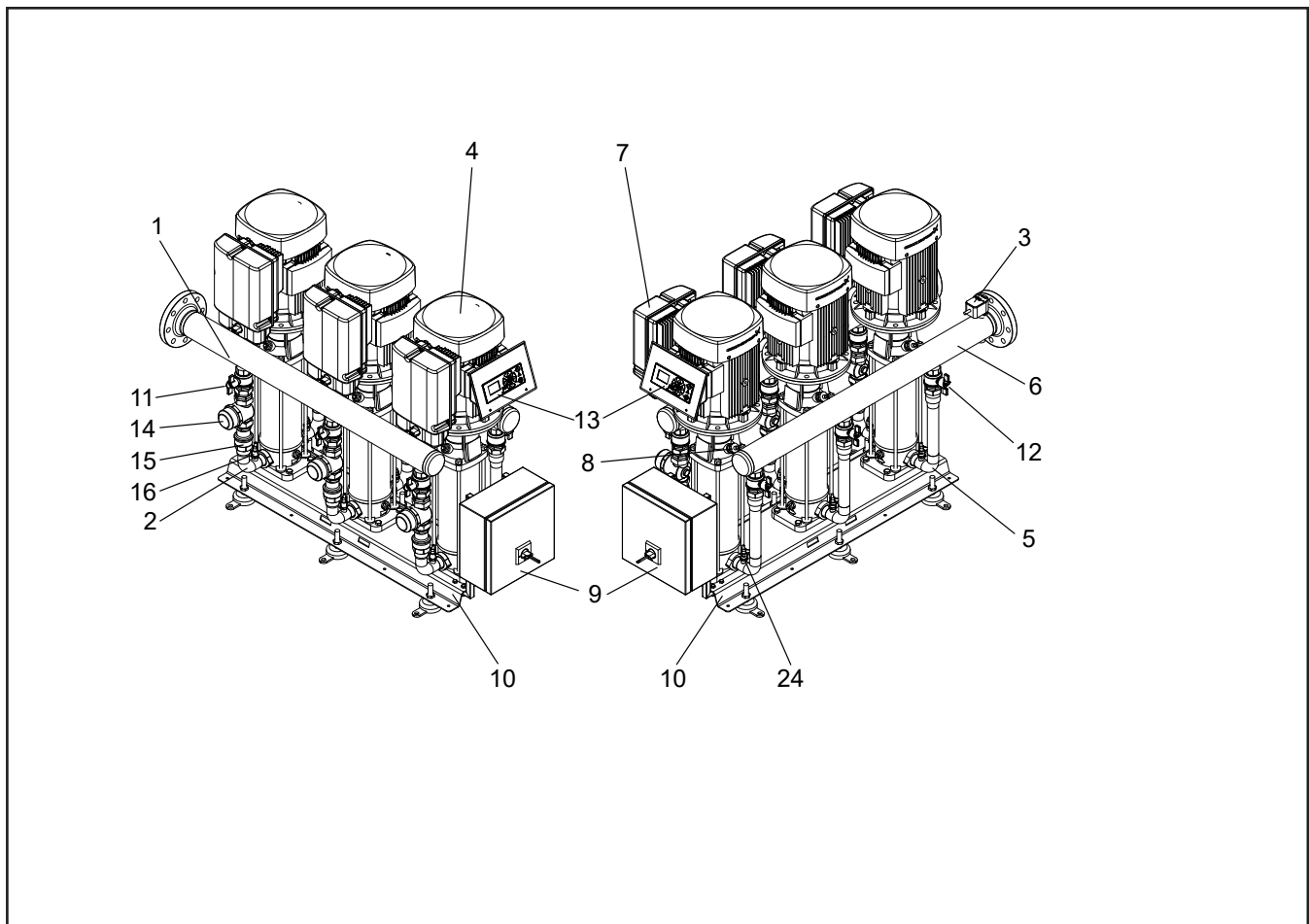
**Wichtig:** Benutzen Sie das Wasser vom System nicht für andere Anwendungen als zu Reinigungszwecken.

Eine typische Booster für Bodengestell Installation ist in fig. 1 gezeigt

- Booster (1)
- Satellit (2)



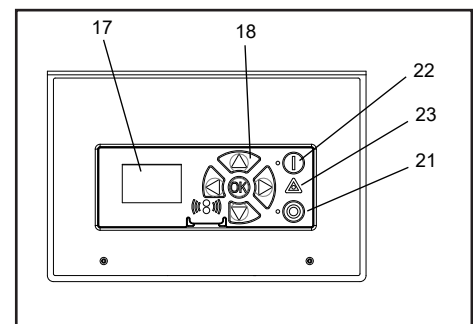
110008634



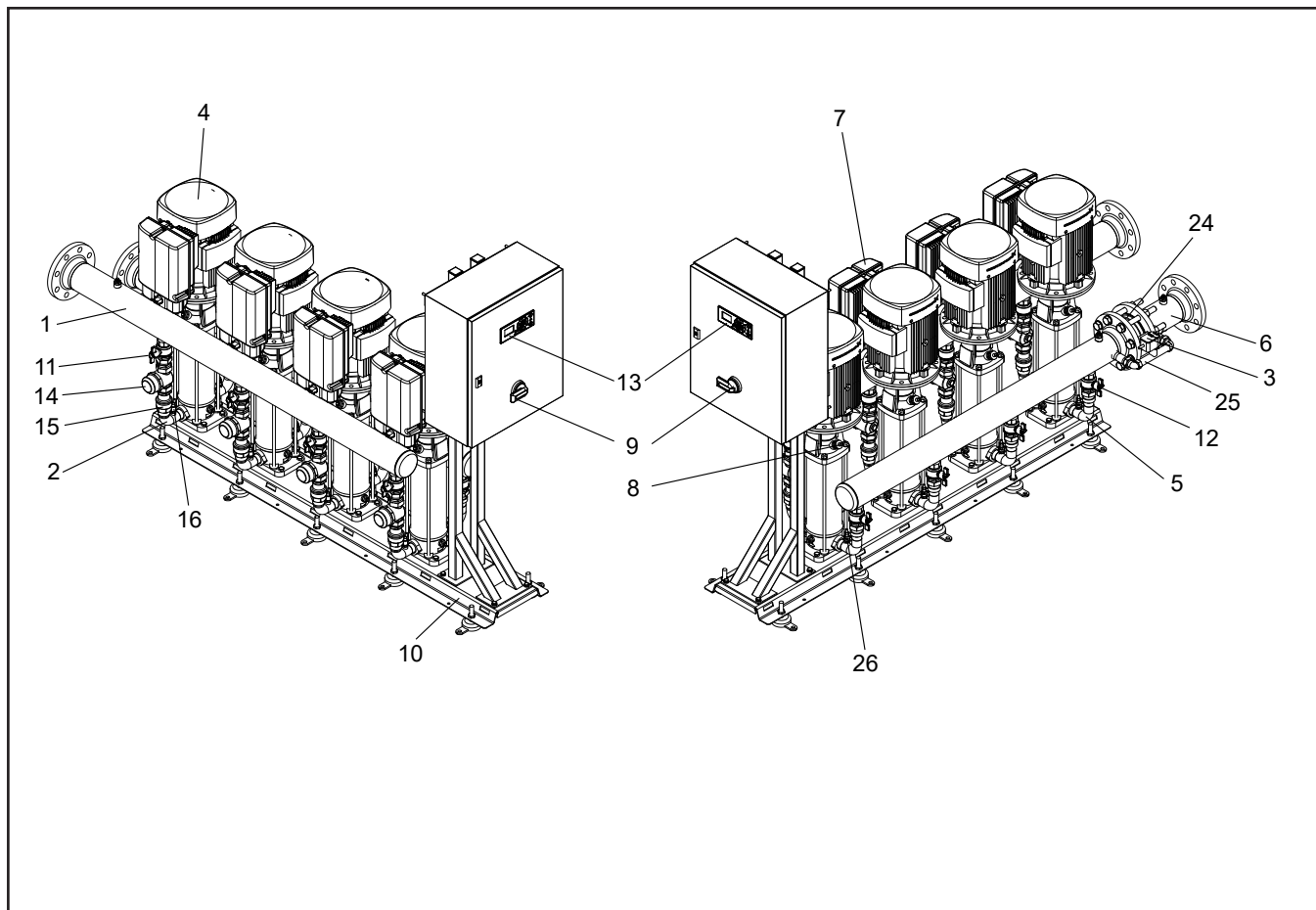
110008450A

## 1.1 Multi Booster BF16 - BF24.

1. Wassereinlassrohr
2. Verteilerrohreingang
3. Trigger-Sensor, Strömungswächter (Flow Sensor)
4. Pumpe
5. Verteilerrohrausgang
6. Ausgangsrohr
7. Inverterkasten
8. Temperatur Sensor
9. Elektrischer anschluss-kasten
10. Fußbodenhaltewinkel
11. Eingang Kugelhahn
12. Anschlußkugelhahn (ausgang)
13. Schalttafel
14. Filter
15. Rückschlagventil
16. Sensor eingangsdruck
17. Anzeige (Display)
18. Navigationsknöpfe
21. •● Druckknopf. Stopp
22. •I Druckknopf.Start
23. •Δ Lampe. Leuchtet im fall eines Fehlers
24. Druck sensor ausgangsdruck



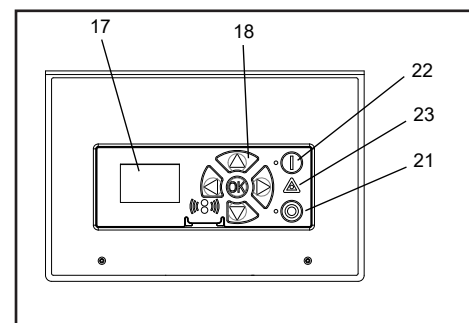
110002183



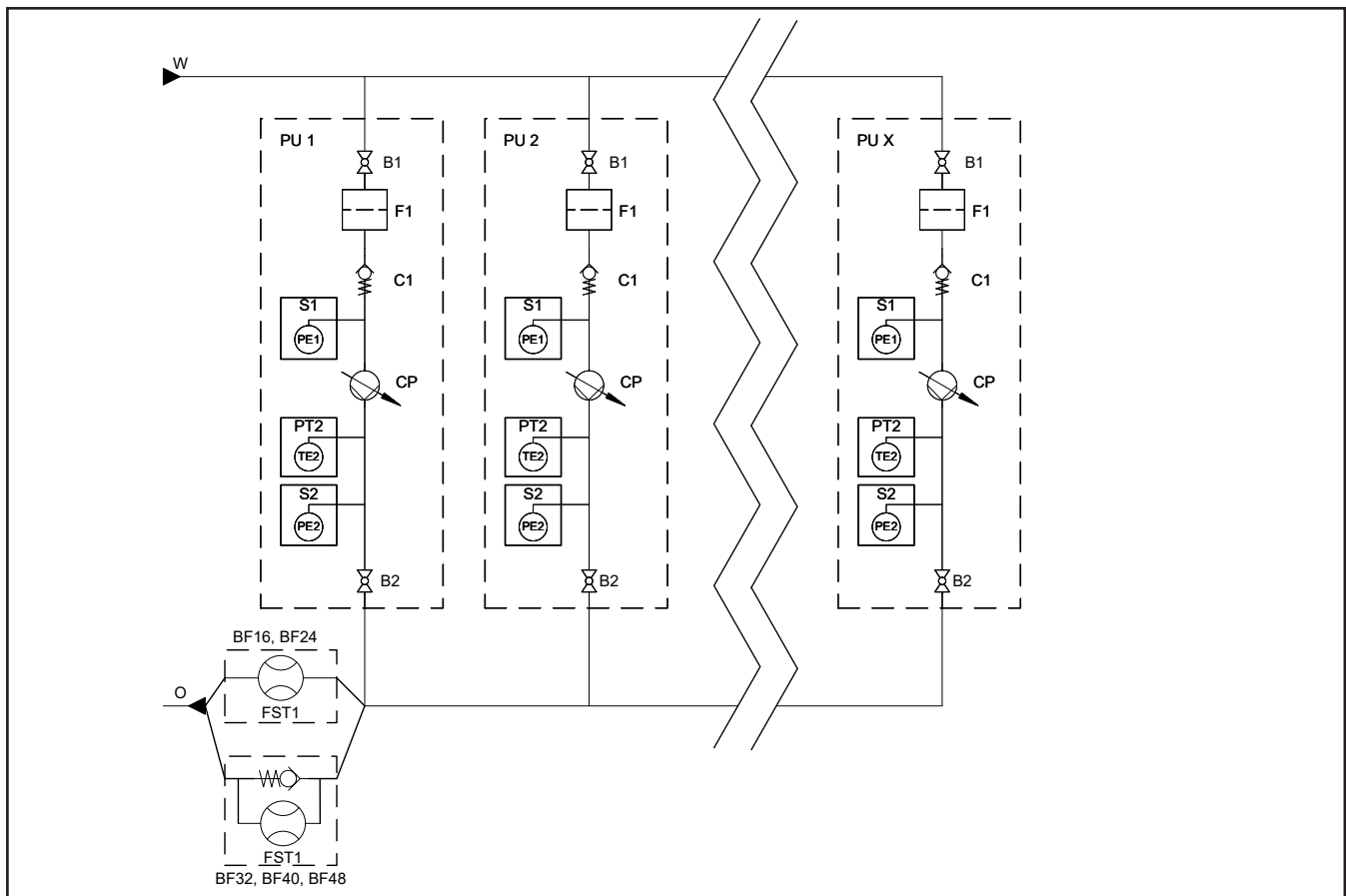
110008454A

## 1.2 Multi Booster BF32 - BF40 - BF48.

1. Wassereinlassrohr
2. Verteilerrohreingang
3. Trigger-Sensor, Strömungswächter (Flow Sensor)
4. Pumpe
5. Verteilerrohrausgang
6. Ausgangsrohr
7. Inverterkasten
8. Temperatur Sensor
9. Elektrischer anschluss-kasten
10. Fußbodenhaltewinkel
11. Eingang Kugelhahn
12. Anschlußkugelhahn (ausgang)
13. Schalttafel
14. Filter
15. Rückschlagventil
16. Druck sensor eingangsdrück
17. Anzeige (Display)
18. Navigationsknöpfe
21. •● Druckknopf. Stopp
22. •I Druckknopf.Start
23. •Δ Lampe. Leuchtet im fall eines Fehlers
24. Rückschlagventil für By-pass
25. By-pass
26. Drucksensor ausgangsdrück



110002183



110008439

### 1.3 Funktionsdiagramme

#### Multi Booster BF16 - BF24 - BF32 - BF40 - BF48

- B. Kugelventil.
- F. Filter
- FST. Strömungswächter.
- C. Rückschlagventil.
- PE. Drucksensor.
- TE. Temperatursensor.
- CP. Zentrifugalpumpe.
- D. Ausgang.
- PU. Pump-Einheit.
- W. Wassereinlassrohr.
- SN. Faßung Nr.



## 2. Wartung

Wir empfehlen in Verbindung mit der allgemeinen Reinigung im Gebiet, auch die Booster Anlage zu reinigen. Das Filter mit passenden Intervallen reinigen (ungefähr 1-3 Monate) abhängig von der Menge von Unreinigkeiten im Wasser.

### 2.1 Filter

1. Die "0" auf der Schalttafel drücken, um die den Booster abzustellen.
2. Den Hauptschalter aus-

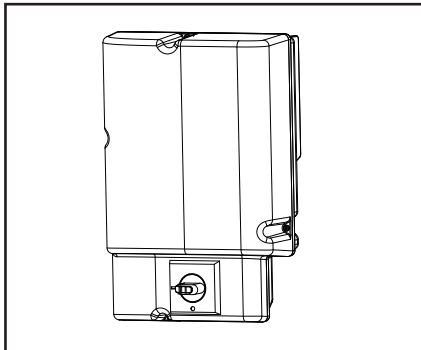


Fig. 1 110008442

schalten (Fig. 1).

3. Den Wassereinlass unterbrechen.
4. Einen Ausgang öffnen, um den Druck vom System zu lösen.
5. Entfernen Sie den Filter (A, Abb. 2), und legen Sie den Filter in einer Entkalkunslösung.

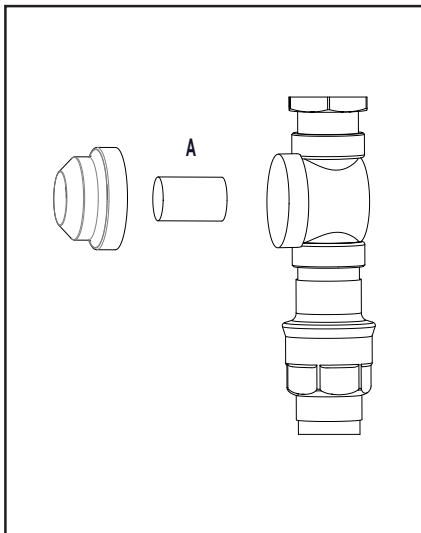


Fig. 2 110002117

6. Den gereinigten Filter gründlich spülen und wiederum anmontieren.
7. Min. filtermaschengröße 800µ -> 1500µ.

### 2.2 Bevor einen längeren Produktionsstopp

Ist ein länger dauernder Produktionsstopp geplant (über 6 Monate), wo die Pumpe von Wasser geleert wird, empfiehlt es sich die Pumpe folgender Weise zu sichern:

1. Den Kuppelungsschutzschirm abmontieren.
2. Ein paar Tropfen Silikonöl in die Axel zwischen dem Zylinderkopf und der Kuppelung sprühen.

Im Übrigen empfiehlt es sich die beiliegende Bedienungsanleitung des Pumpenlieferanten genauestens zu befolgen.

## 3. Start

**NB!** Die Pumpe muss vor dem Start ausgelüftet und mit Wasser gefüllt sein.

### 3.1 Eine neue Anlage

Um einen problemfreien Start einer neuen Anlage zu sichern, muss das System durchgespült und ausgelüftet werden:

#### Auslüftung des Rohrsystems

1. Die "0" auf der Schalttafel drücken, um die den Booster abzustellen.
2. Öffnen Sie den Einlass fürs Wasser, um das ganze System durchzuspülen und auszulüften. Sind Satelliten installiert, wird der am entfernteste Ausgang geöffnet, bis keinerlei Unreinheiten und Luft mehr austreten. Daraufhin wird der nächst entfernteste Ausgang durchgespült und ausgelüftet und so weiter und so fort, bis der nächstliegende Ausgang durchgespült und ausgelüftet ist..

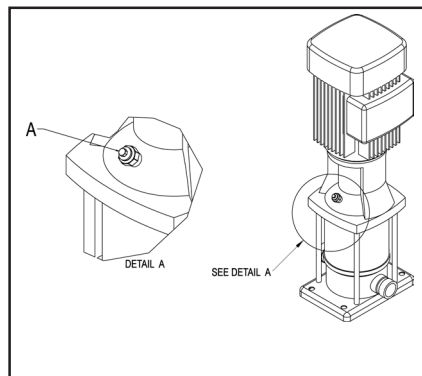


Fig. 3 0627131

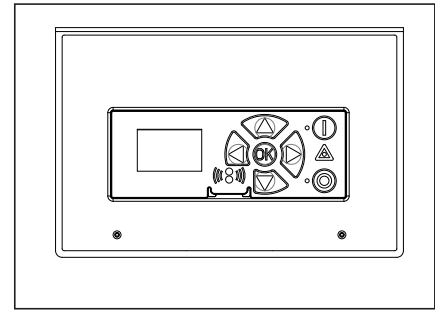


Fig. 4 110002183

3. Eventuelle Satelliten werden nun montiert.

### Auslüftung der Pumpe(n)

4. Den Zusatzstöpsel 1-2 Umdrehungen lockern (A, Fig.3), bis Wasser und Luft herauskommen.

**NB!** Der Entlüftungsnippel während Pumpenbetrieb nie lösen als dies die Dichtung beschädigen kann und damit Personenschäden verursachen.

5. Den Zusatzstöpsel wieder festschrauben und anziehen.
6. Die Pumpe starten, um die letzten Lufttaschen in die Spitze der Pumpe zu pressen.
7. Die Pumpe stoppen.
8. Den Zusatzstöpsel wieder 1-2 Umdrehungen lockern und auslüften, bis nur noch Wasser austritt.
9. Den Zusatzstöpsel wieder festschrauben und anziehen.

Der Booster ist nun für die Inbetriebnahme bereit.

"1" auf dem Kontroll-Panel drücken (siehe Fig.4)

## 4. Tägliche Inbetriebnahme

### 4.1 Starten

1. Sicherstellen, dass der Wassereingang offen ist.
2. "1" auf dem Bedienungspaneel drücken, um die Anlage zu anschalten.

### 4.2 Stoppen

1. "0" an der Schalttafel drücken, um die Anlage zu stoppen.
2. Den Wassereingang schließen.
3. Luftversorgung abschließen.

**BERMERKEN.** Aus folgenden Gründen ist es sehr wichtig dass Sie die Wasser- und Luftversorgung immer nach Gebrauch abschalten.

- Falls die Luftversorgung offen ist, wenn die Hauptstation und die Satelliten nicht in Gebrauch sind, kann Luft in Wasserleitung sickern. Dann muss das System wieder entlüftet werden.
- Der Wasserabscheider, der einen Teil des Luftreglers ist, nur leeren, wenn die Luftversorgung abgeschlossen ist.

Nach einem längeren Produktionsstopp (Urlaub usw.) kann es notwendig sein, das Rohrsystem und die Booster Anlage wieder zu entlüften.

## 5. Service / Inspektion

Die Inspektion darf nur von autorisiertem und qualifiziertem Personal vorgenommen und ausgeführt werden.

**Warnung!** Die Inspektion am System darf erst vorgenommen werden, wenn das System von spannungs- und druckfrei ist.

1. Den Hauptschalter an der Kontrollbox abschalten (Fig.1)
2. Öffnen Sie einen Wasserausgang, um die Anlage druckfrei zu machen.

### 5.1 Komponenten

#### 5.1.1 Pumpe / Motor

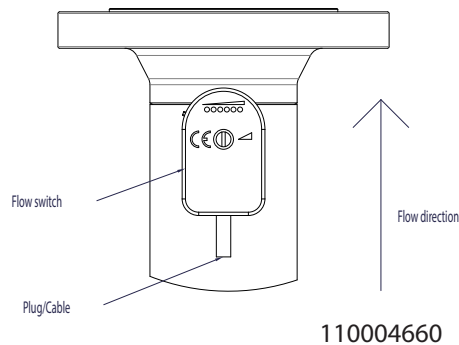
Weitere Informationen zu Pumpe/ Motor finden Sie im Pumpenhandbuch des Pumpenlieferanten.

#### 5.1.2 Kontrollsystem

Das kontrollsystem ist ebenfalls wartungsfrei. Im Fall eines Defekts, einen Servicetechniker kontaktieren.

#### 5.1.3 Flow Switch

Der Auslössensor (Switch) ist ebenfalls wartungsfrei. Im Fall eines Defekts, wird der Auslössensor (Switch) ausgewechselt. Die Ausrichtung des Strömungsschalters muss so erfolgen, dass der Stecker/das Kabel des Schalters der Durchflussrichtung entgegen weist.

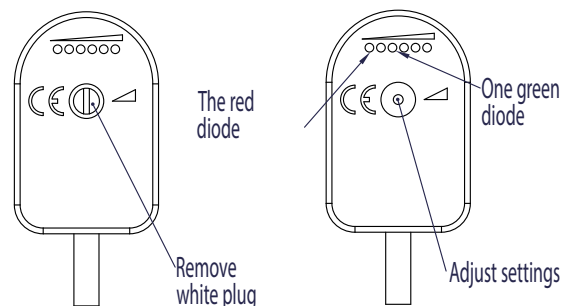


#### 5.1.3.1 Ausrichtung des Strömungsschalters

Wenn der Strömungsschalter ausgetauscht/installiert wird, muss er ausgerichtet werden.

1. Drücken Sie am Bedienfeld die "1", um die Maschine einzuschalten.
2. Drehen Sie den Griff "Spülen/Schaum" an einem Satellitengerät in die Schaumstellung.
3. Aktivieren Sie den Sprühgriff am Austrittsschlauch des Satellitengerätes, sodass das Wasser austritt.
4. Prüfen Sie, dass der Strömungsschalter auf die korrekte Weise gedreht wird (der Draht muss der Flussrichtung gegenüber sein) (siehe Abbildung).
5. Entfernen Sie den weißen Stecker/die Schraube vor der Ausrichtung (siehe Abbildung).
6. Richten Sie die Flussrichtung ein, bis eine grüne Diode aufleuchtet (siehe Abbildung).
7. Schließen Sie den Sprühgriff wieder und prüfen Sie, dass die rote Diode aufleuchtet.
8. Montieren Sie den weißen Stecker/die Schraube wieder.

Der Strömungsschalter ist jetzt ausgerichtet.



#### 5.1.4 Rückschlagventil / Zugangsseite

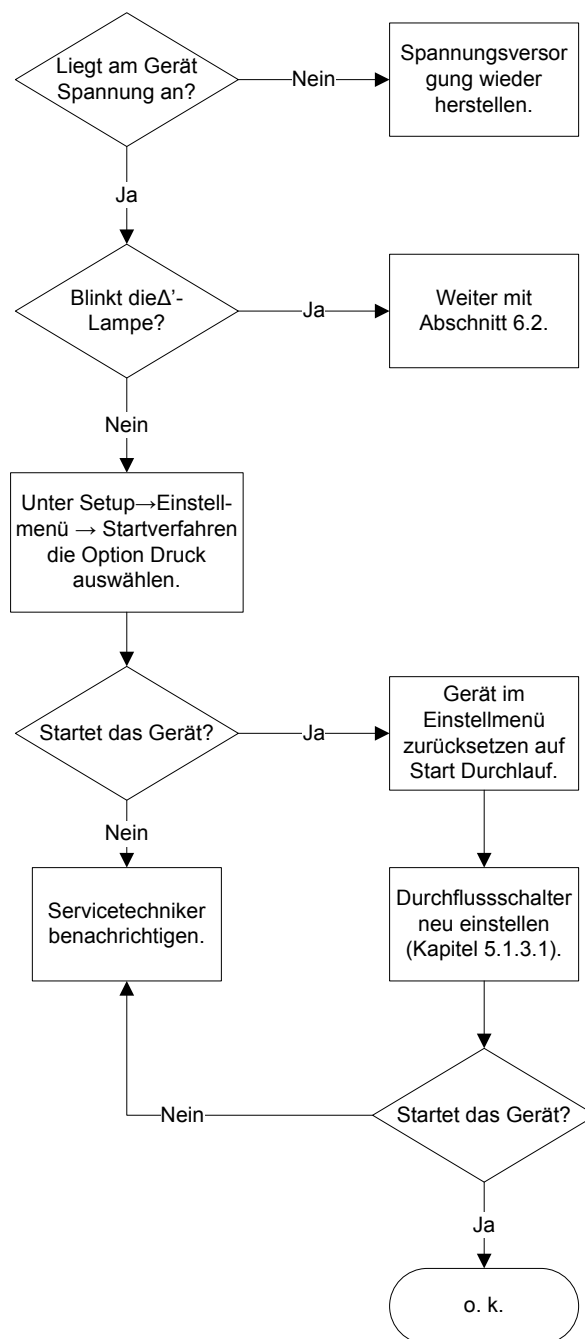
Im Fall eines Defekts, wird das Contraventil ausgewechselt.

### 5.2 Recycling und Entsorgung

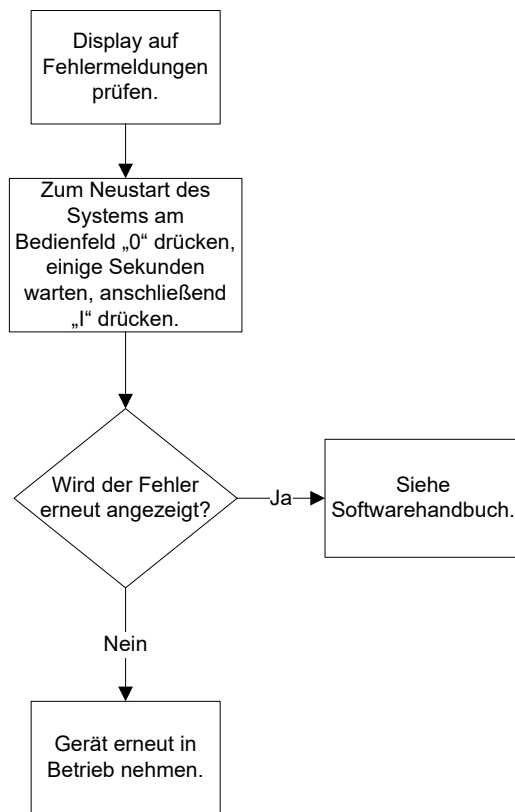
Verpackungsmaterial recyceln und ausgediente Geräte gemäß den jeweils geltenden Vorschriften entsorgen.

## 6. Fehlersuche

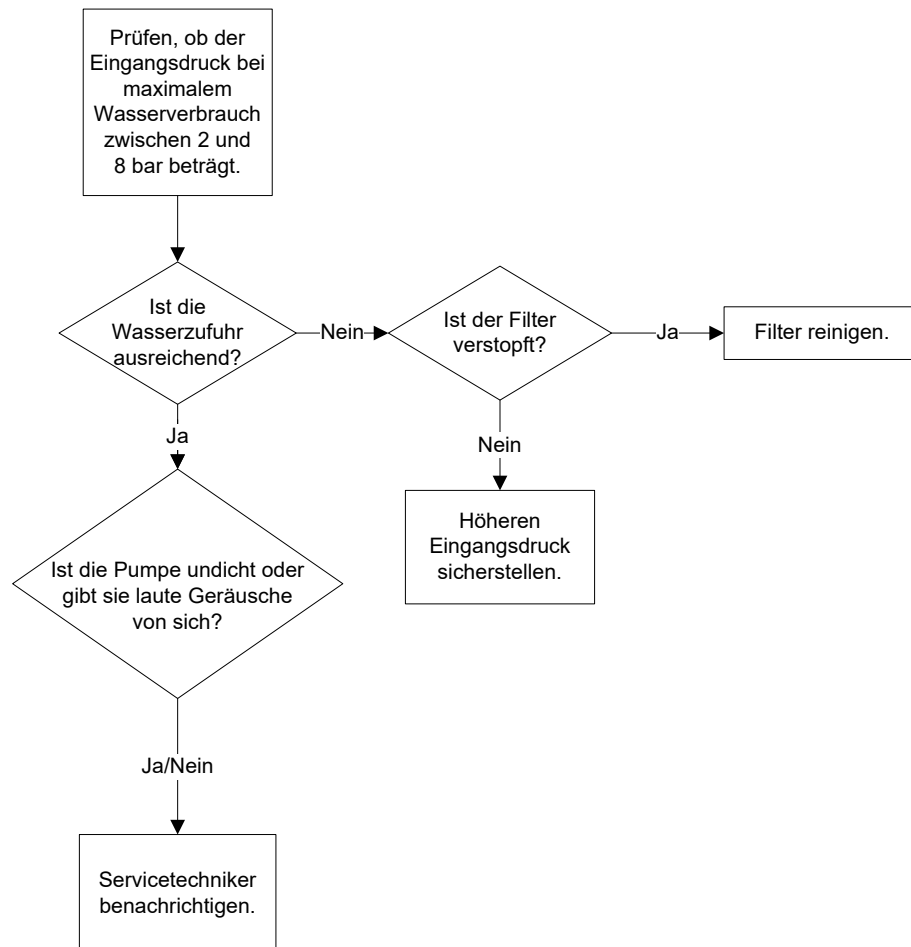
### 6.1 Die Anlage will nicht starten



## 6.2 "Δ"- Lampe an dem Kontroll-Panel leuchtet



## 6.3 Falls der Einlassdruck zu niedrig oder unstabil ist.



## 7. Empfehlenswerte Ersatzteile

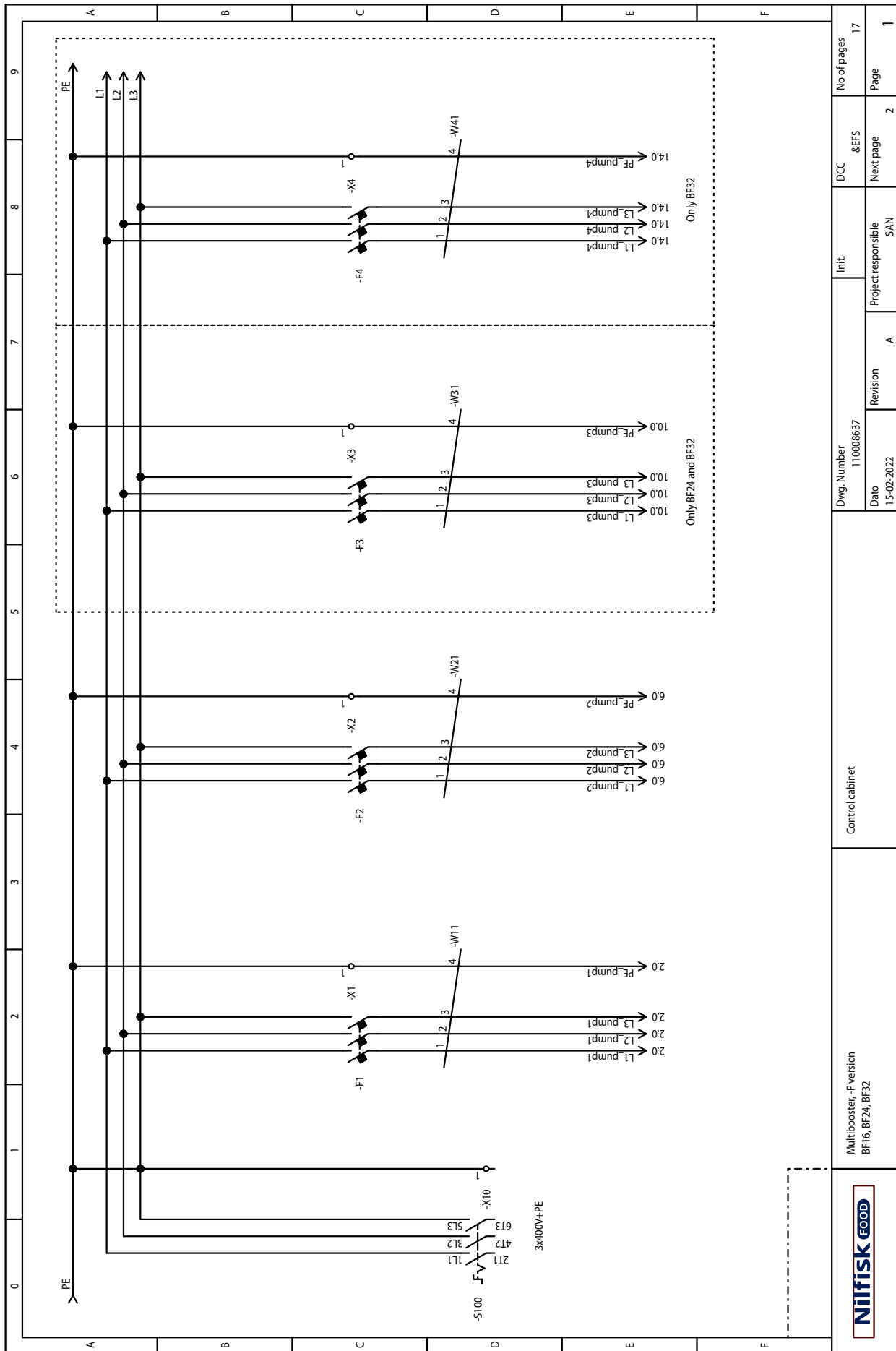
Die empfohlene Ersatzteile sind im Ersatzteilmanual mit \* markiert.

## 8. Spezifikationen

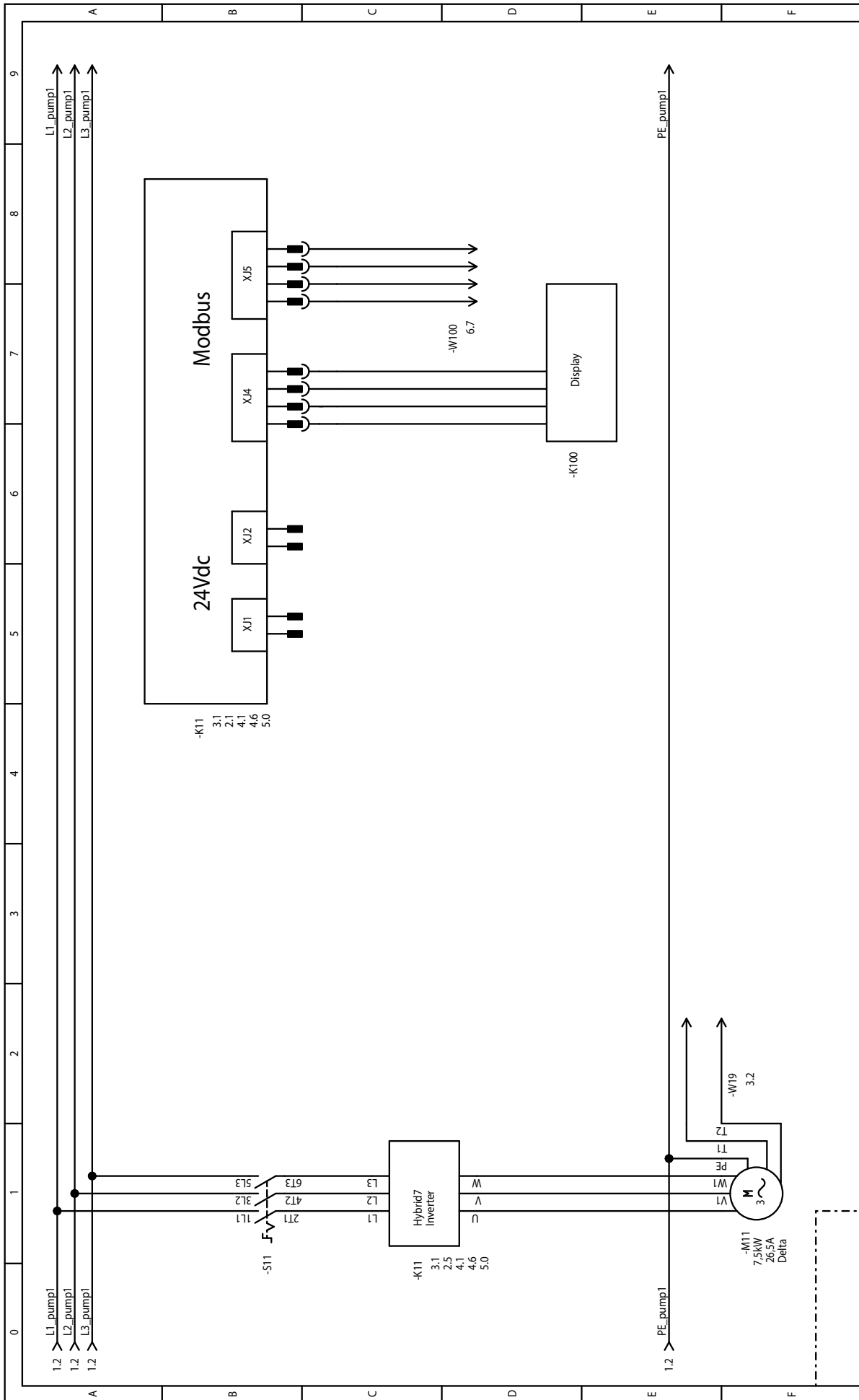
Technische Daten		Booster/Main station.				
		Advanced*	Prof.*			
Wasser	Unit.	3 (4 kW)	3 (4 kW)	4 (5.5 kW)	7 (10 kW)**	8 (11 kW)*
Max. Ausgangsdruck.	bar	25	25	25	22	25
Verbrauch bei Spülbetrieb. 1)	L/min	90	90	120	210	240
Verbrauch bei Schaumbetrieb.	L/min	30	30	40	80	80
Min. Druckzufuhr.	bar	2	2	2	2	2
Max. Druckzufuhr.	bar	8	8	8	8	8
Min. Wasserzufuhr.	L/min	100	100	135	265	265
Max. Wassertemperatur.	°C	70	70	70	70	70
Rohrmaß (Eingang) Ø	inch	1.1/4"	1.1/4"	1.1/4"	2"	2"
Rohrmaß (Ausgang) Ø	inch	1.1/4"	1.1/4"	1.1/4"	2"	2"
<b>Elektrizität</b>						
Stromversorgung (V Hz)*	V	3/PE 380-528VAC 50/60Hz				
Frequenz	Hz					
Bewegungslast (kW)	kW	4	4	5.5	10	10
Installation zu EN 60204-1						
Nominaler Strom	A	10.6	10,6	14.2	27	27
Sicherung	A	16	16	20	35	35
L1, L2, L3, PE	mm2	2.5	2.5	2.5	6	6
<b>Generell</b>						
Lautstärke ISO 11202	dB	Unter 85 dB	-	-	-	-
Maß	mm	1070 x 550 x 375	785 x 550 x 375	1074 x 557 x 382	1074 x 557 x 382	990 x 535 x 364
Gewicht (kg)	kg	85	60	75	75	80

\* Pumpendruck 20 bar + Zugangsdruck max. 25 bar

# 9. Schaltplan

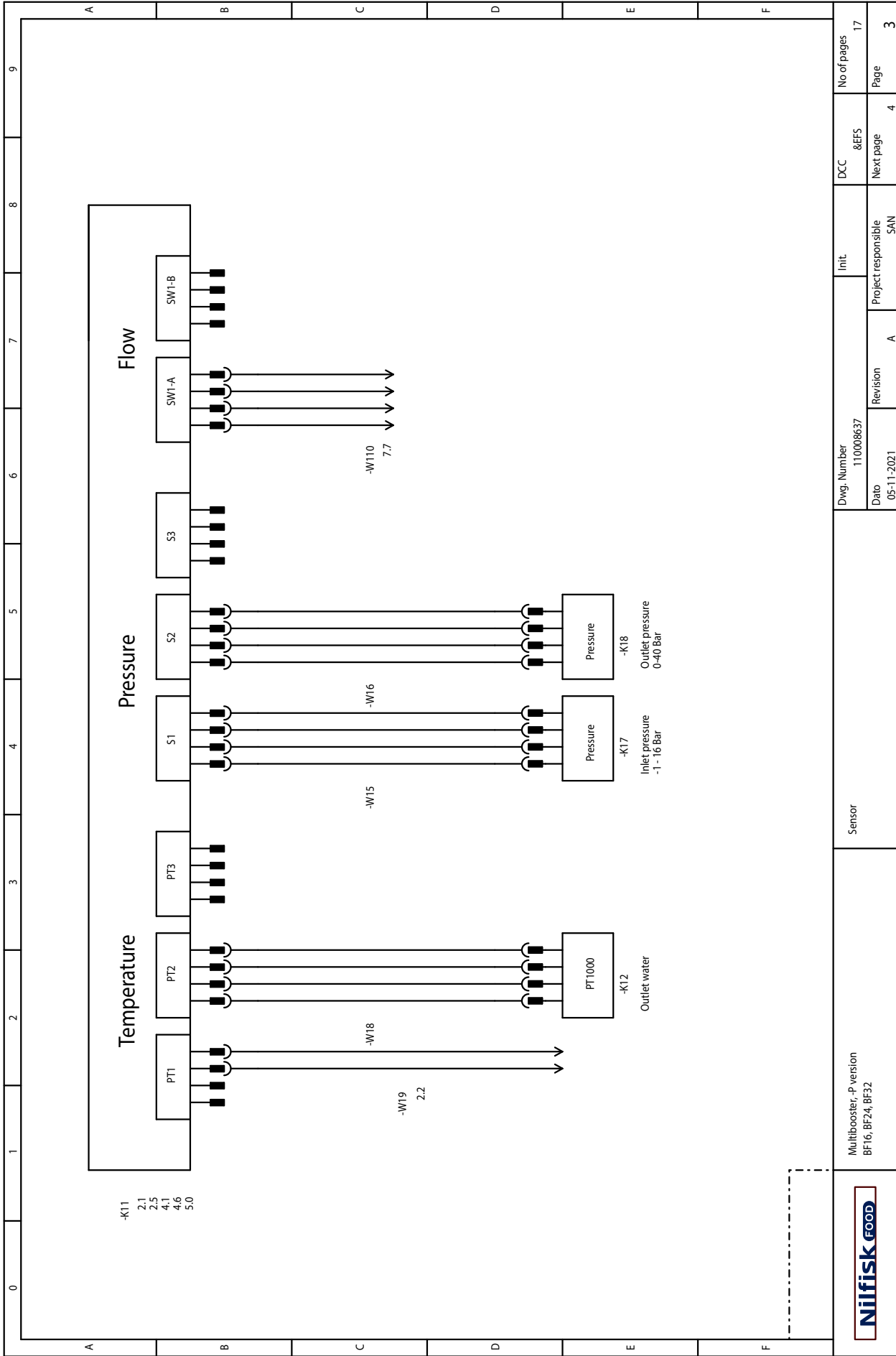


	Multibooster, -P version BF16, BF24, BF32		Control cabinet		Dwg. Number 110008637	Init. Project responsible SAN	DCC &EFS	No of pages 17
	Date 15-02-2022		Revision A	Next page 2	Page 1			

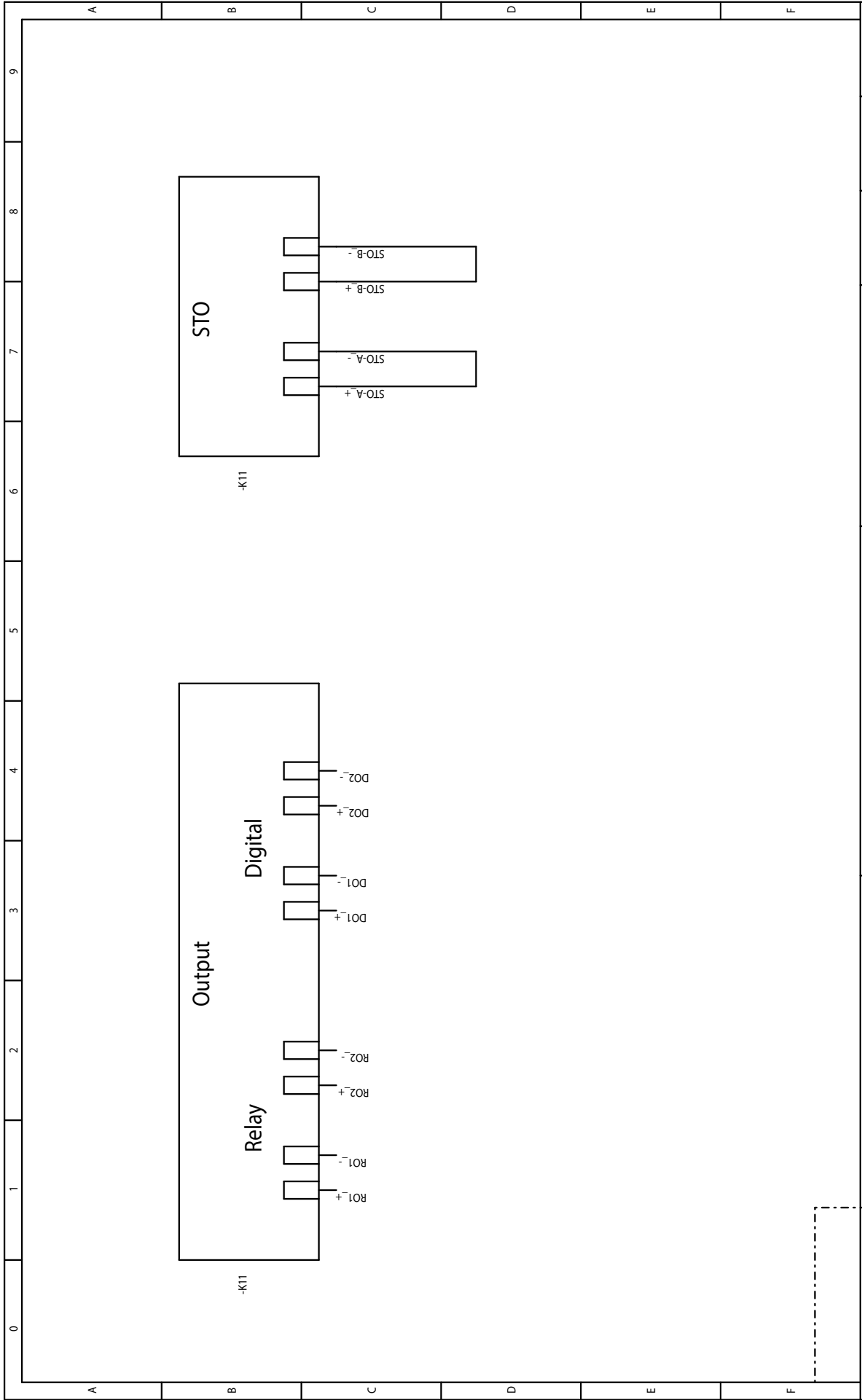


Dwg. Number 110008637		Init	DCC	No of pages
Date 05-11-2021	Revision A	Project responsible SAN	Next page 3	Page 2
Power and communication		Multibooster-P version BF16, BF24, BF32		

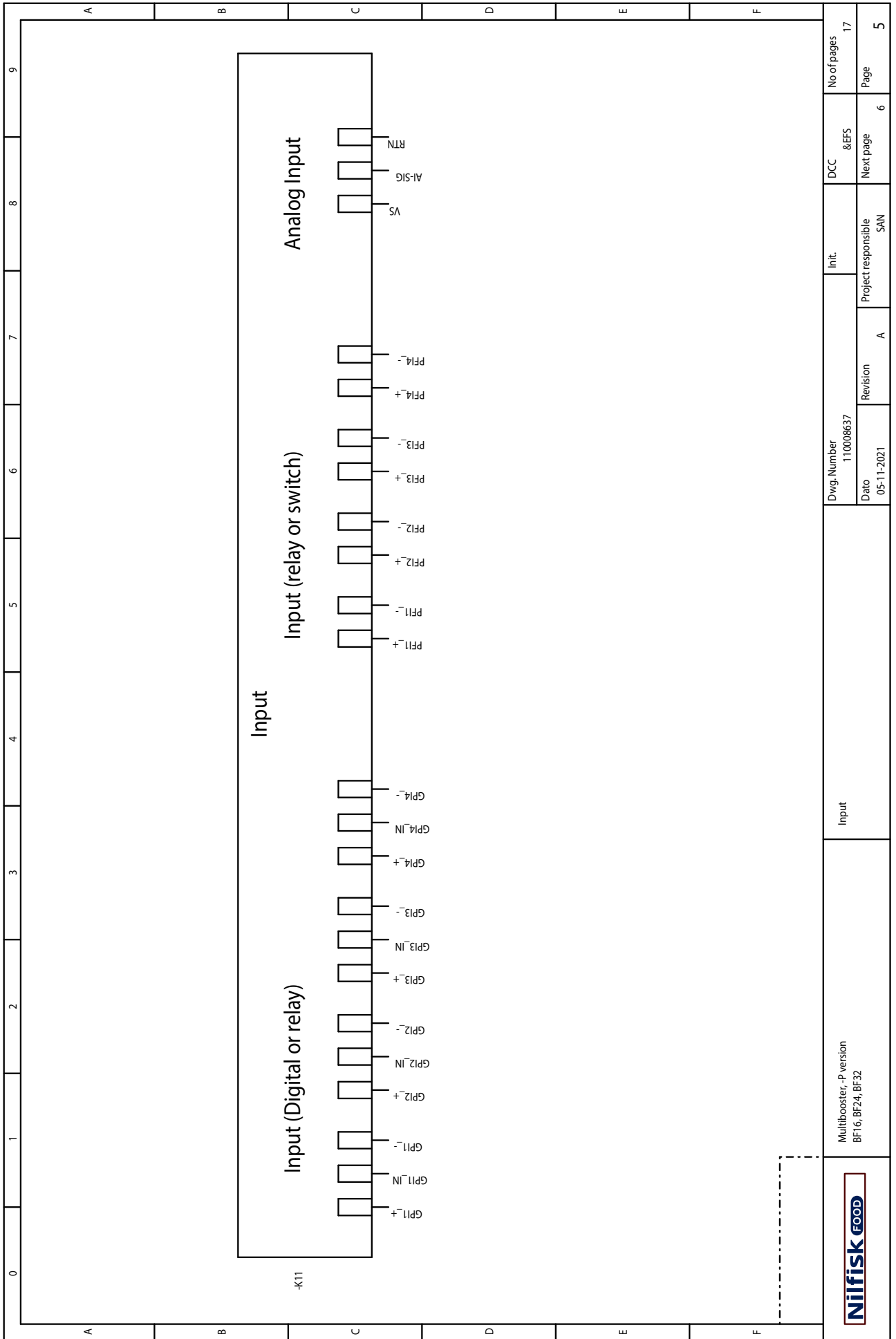


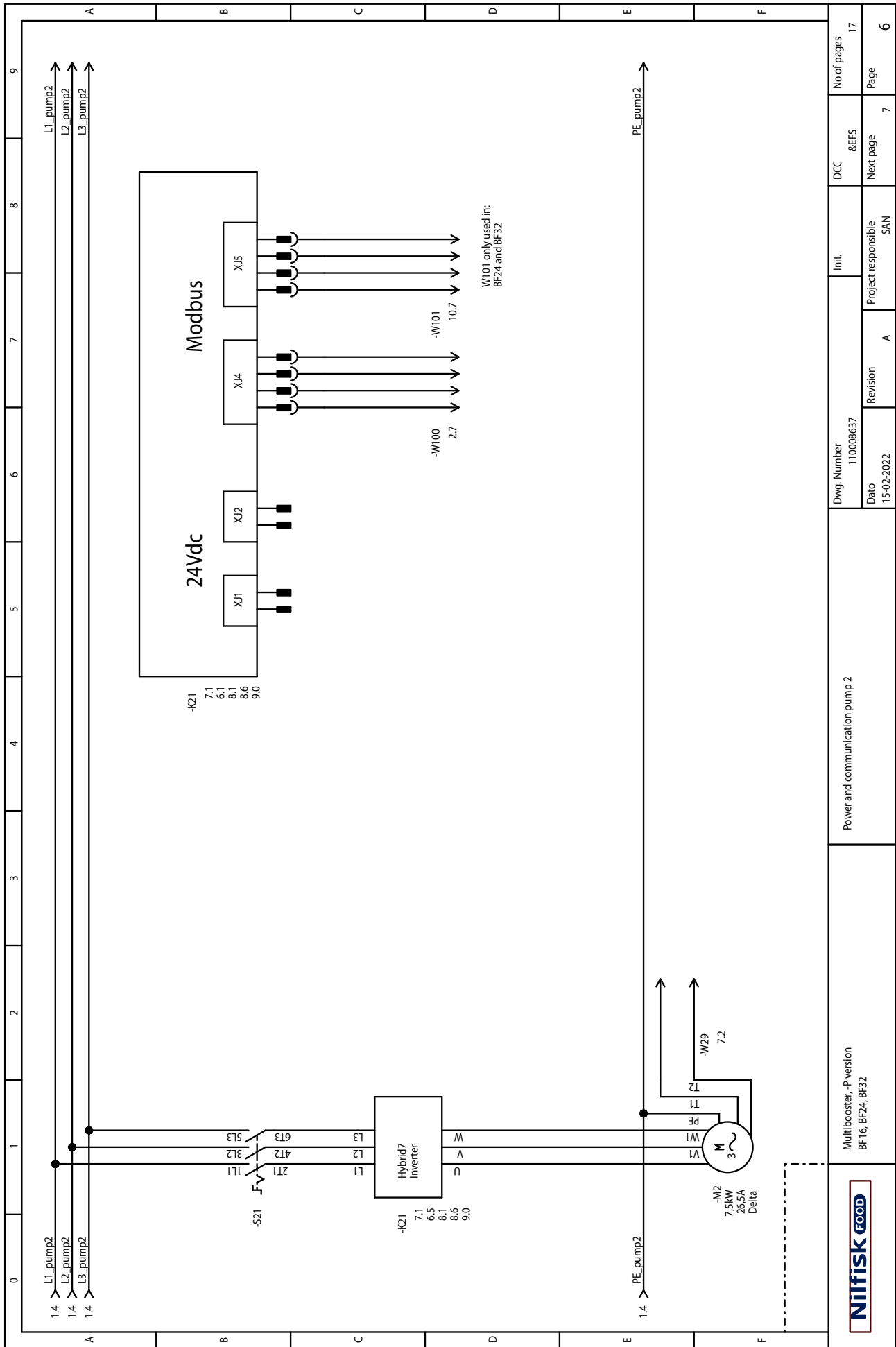






	Multibooster,-P version BF16, BF24, BF32	Output & STO		Dwg. Number 110008637	Init.	DCC &EFS	No of pages 17
				Date 05-11-2021	Revision A	Project responsible SAN	Next page 5





Multibooster, - P version  
BF16, BF24, BF32

Power and communication pump 2

Dwg. Number  
110008637

Date  
15-02-2022

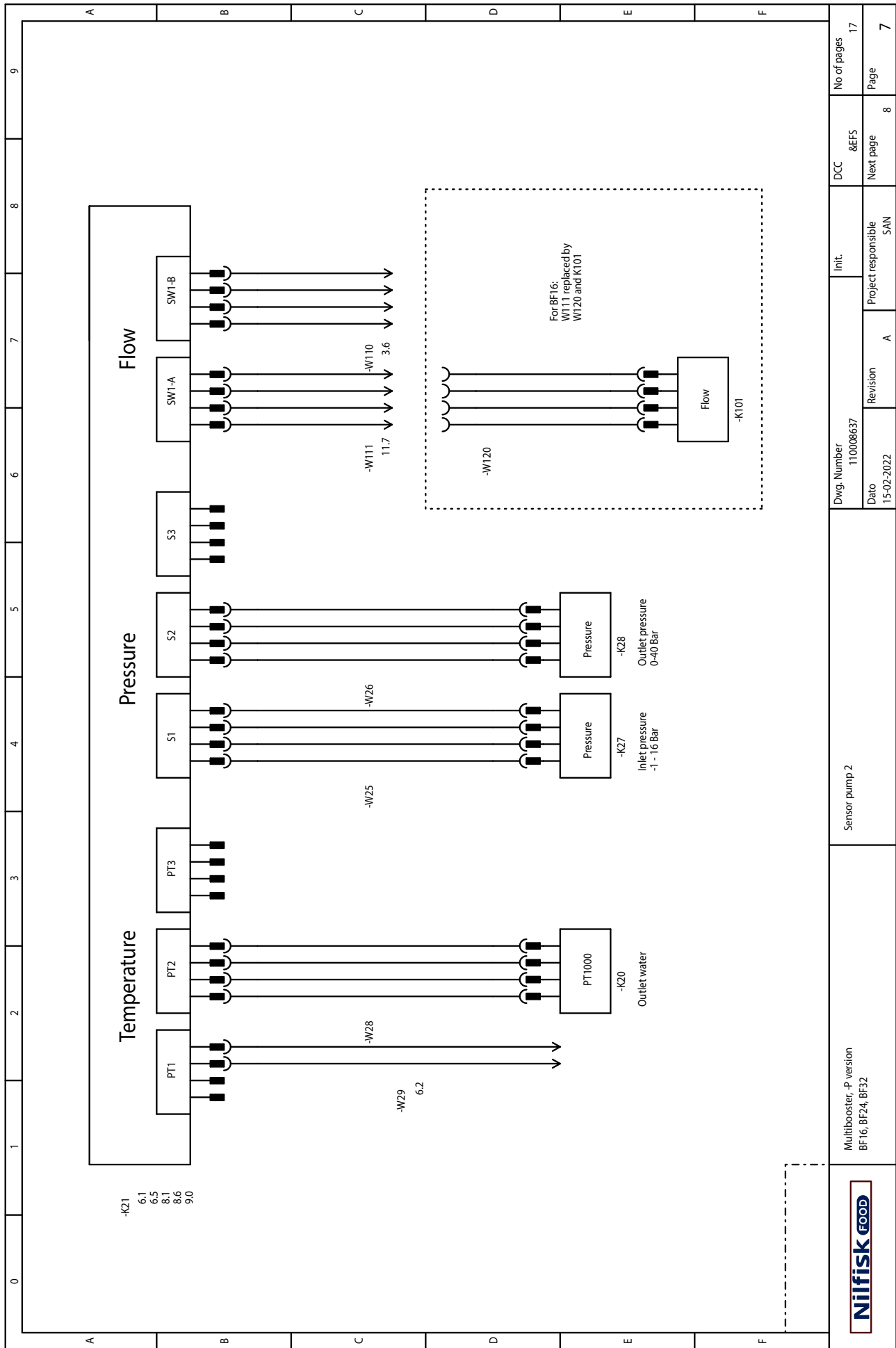
Revision  
A

Project responsible  
SAN

DCC &EFS  
Next page  
7

No of pages  
17

Page  
6



Multibooster, -P version  
BF16, BF24, BF32

Sensor pump 2

Dwg. Number  
110008637

Init.

DCC &EFS

No of pages  
17

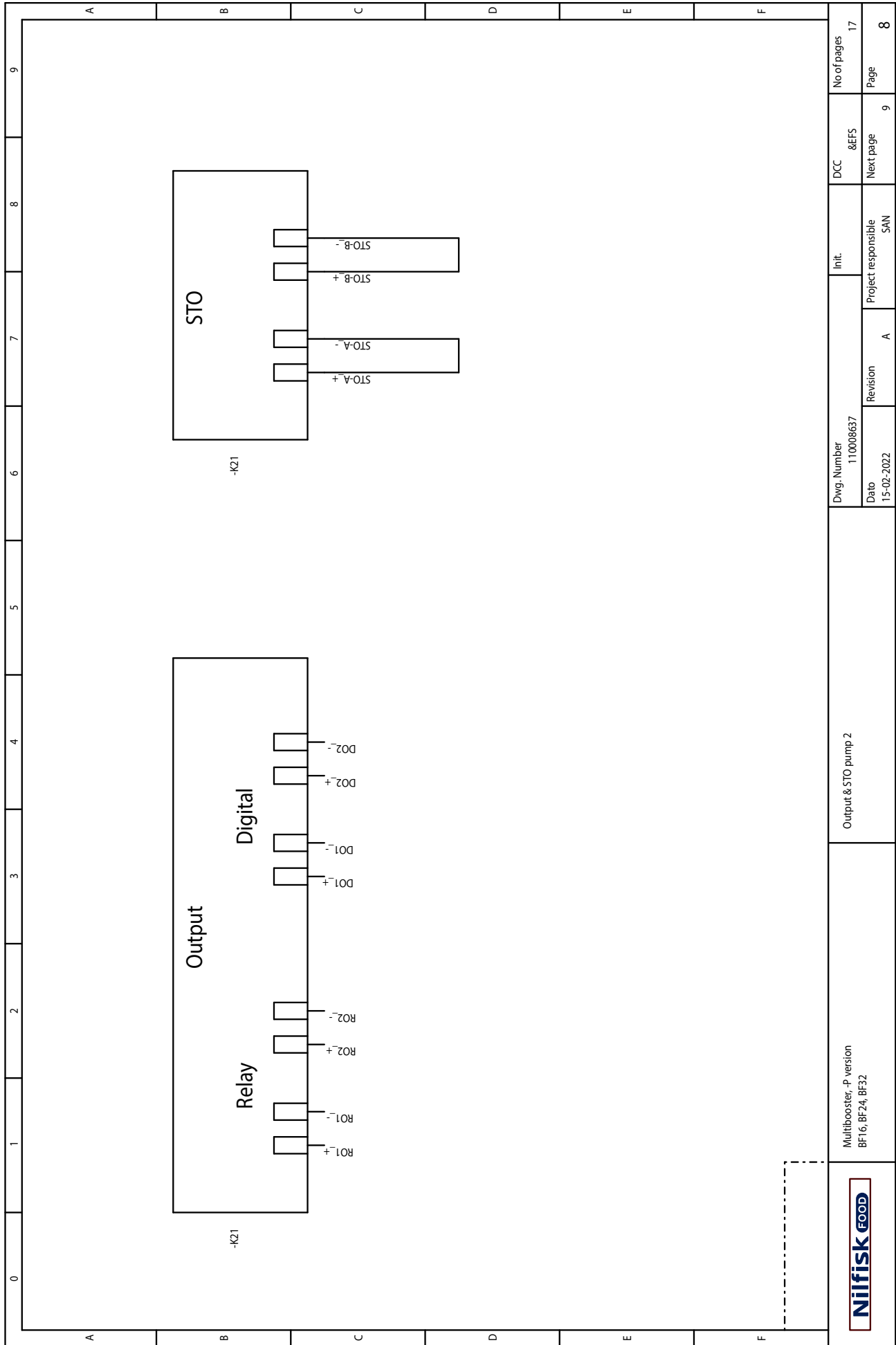
Date  
15-02-2022

Revision  
A

Project responsible  
SAN

Next page  
8

Page  
7



Multibooster, P version  
BF16, BF24, BF32

Output & STO pump 2

Dwg. Number  
110008637

Date  
15-02-2022

Init.

Project responsible  
SAN

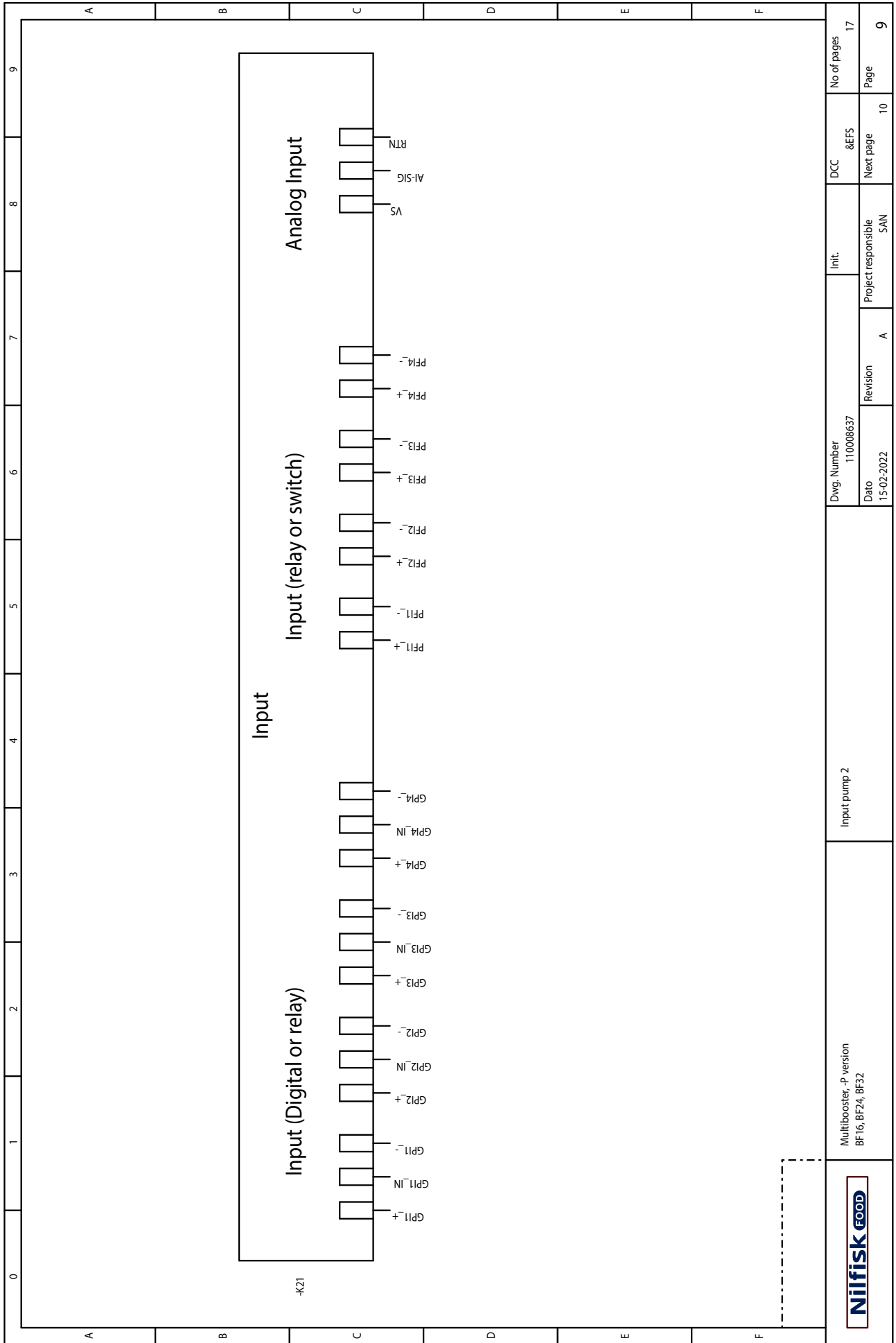
DCC  
&EFS

Next page  
9

No of pages  
17

Page  
8

Revision  
A



Multibooster, -P version  
BF16, BF24, BF32

Input pump 2

Dwg. Number  
110008637

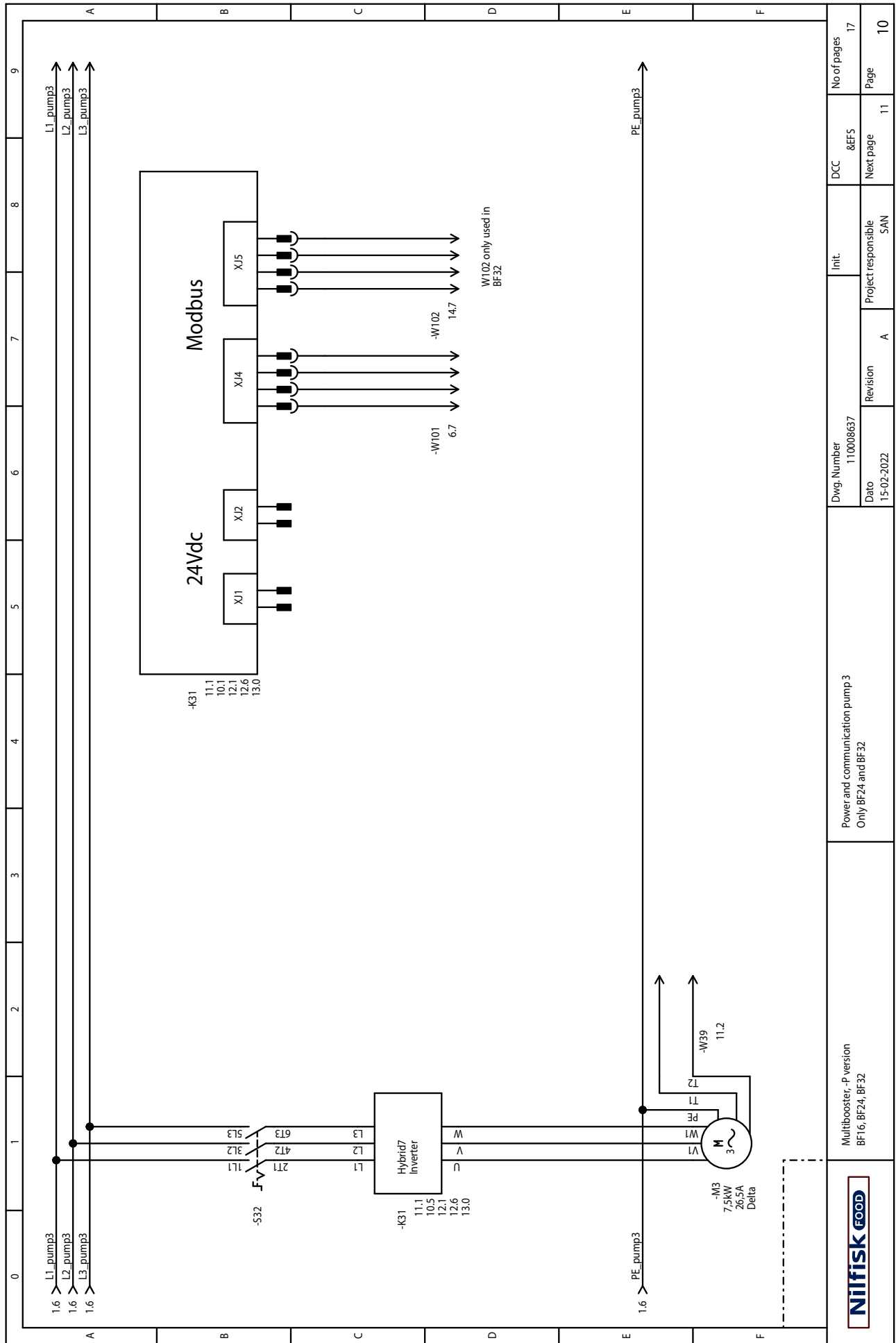
Date  
15-02-2022

Revision  
A

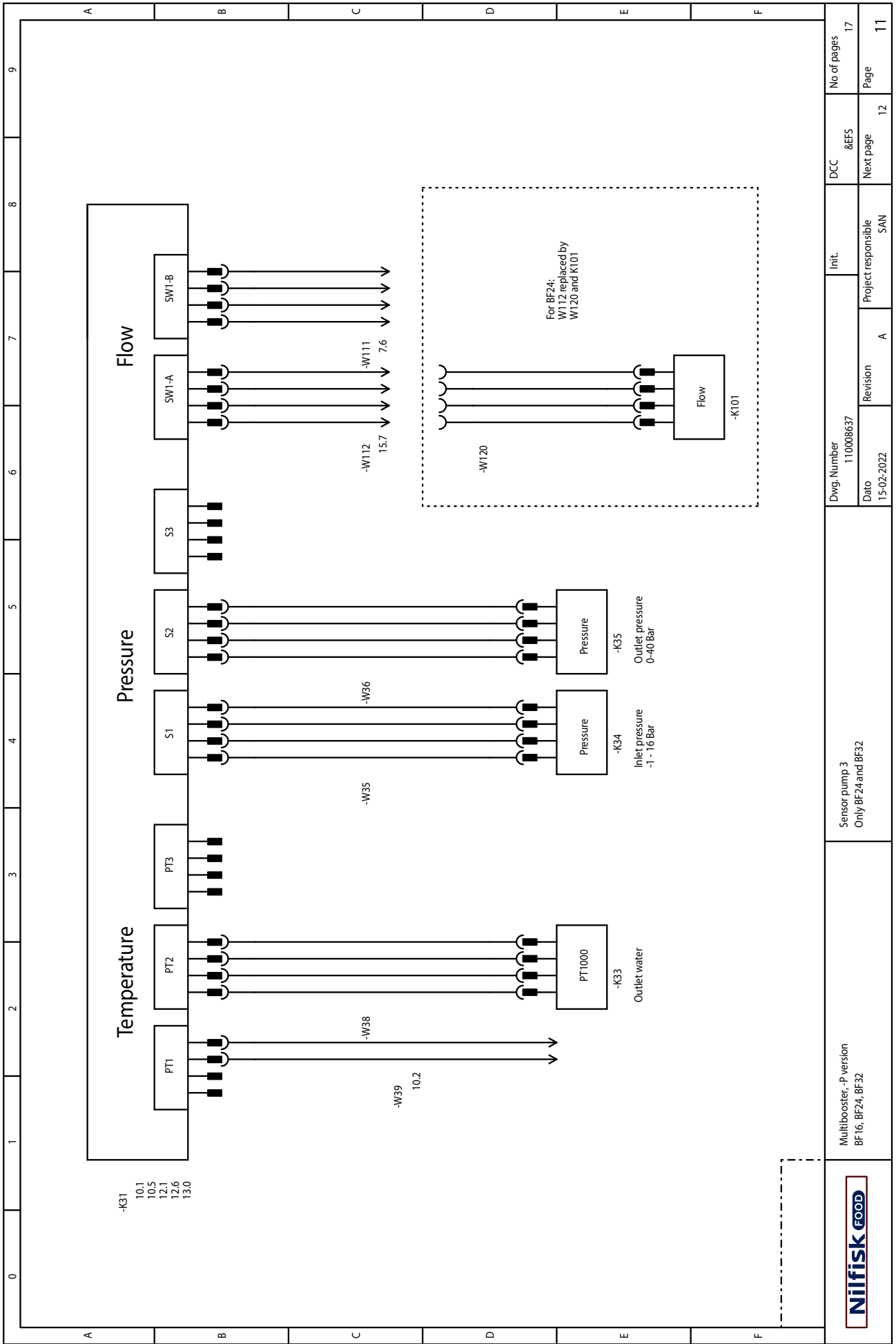
Init.  
Project responsible  
SAN

DCC &EFS  
Next page  
10

No of pages  
Page  
17  
9



	Multibooster - P version BF16, BF24, BF32		Power and communication pump 3 Only BF24 and BF32		Dwg. Number 110008637		Init.		DCC &EFS		No of pages 17	
	Revision A		Project responsible SAN		Date 15-02-2022		Next page 11		Page 10			



Multibooster, -P version  
BF 16, BF24, BF32

Sensor pump 3  
Only BF 24 and BF32

Dwg. Number  
110008637

Init.

No of pages  
17

DCC  
&EFS

Revision  
A

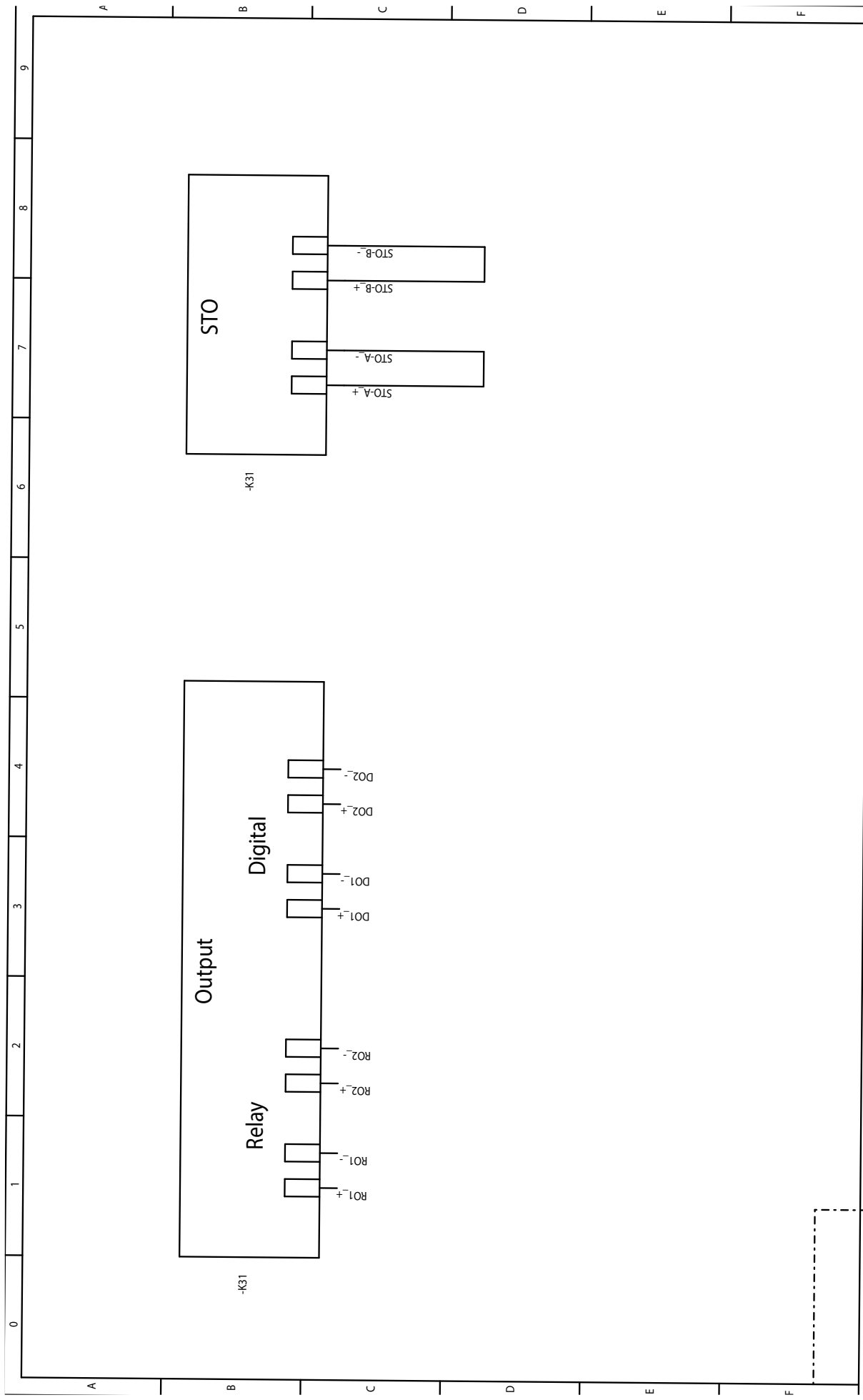
Project responsible  
SAN


Date  
15-02-2022

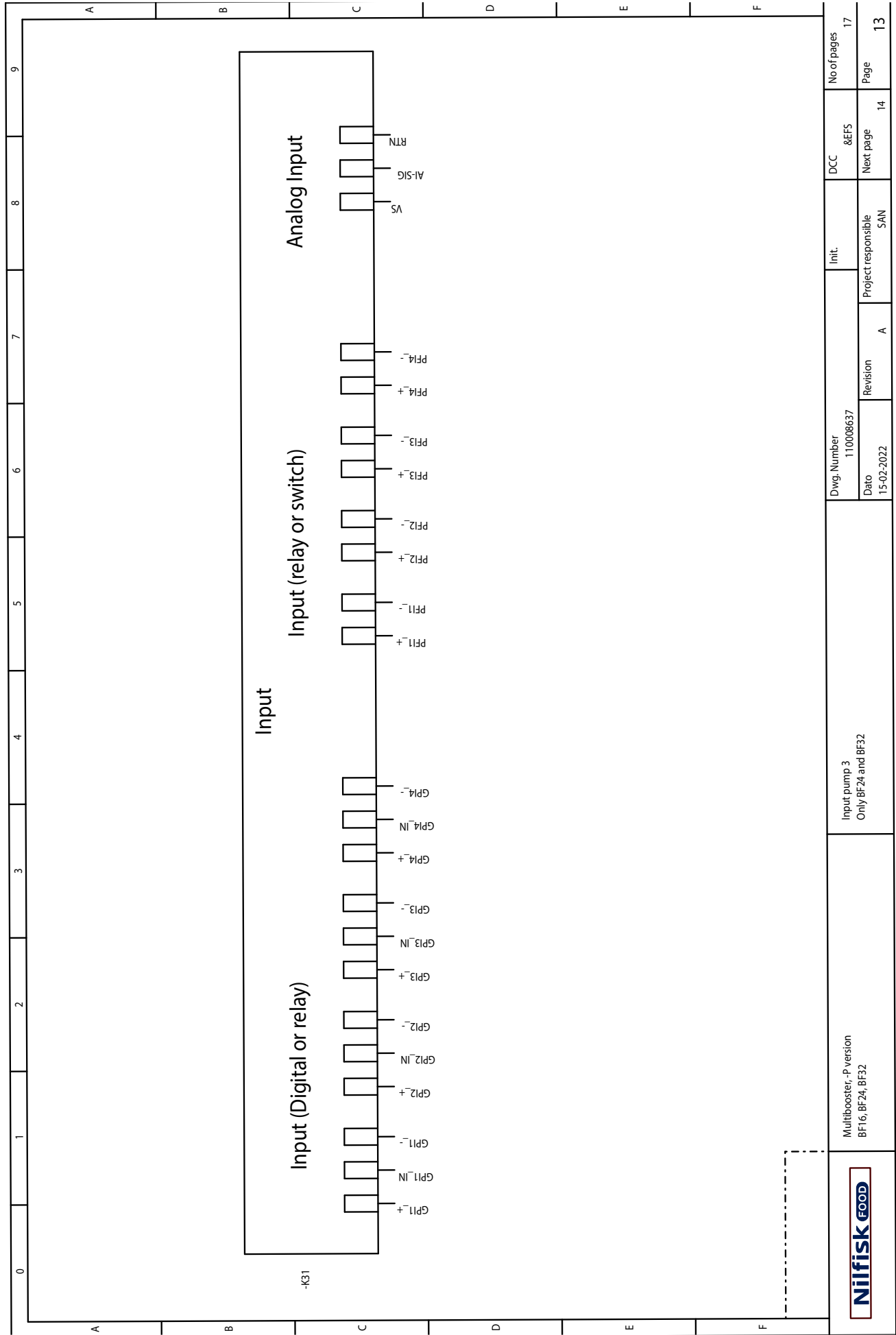
Next page  
12

Page  
11

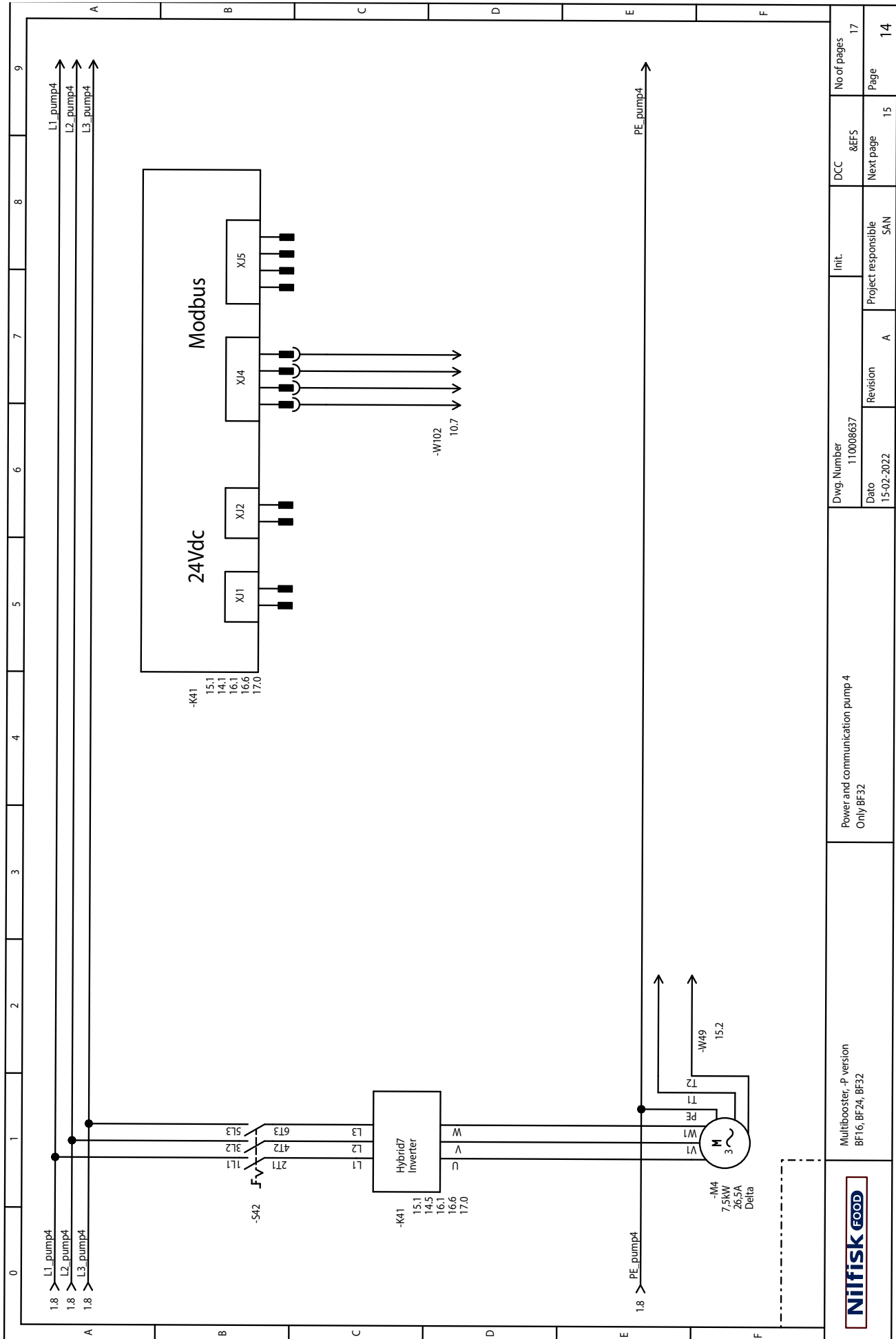




	Multibooster, -P version BF16, BF24, BF32	Output & STO pump 3 Only BF24 and BF32	Dwg. Number 110008637	Init. Project responsible SAN	DCC &EFS Next page 13	No of pages 17
	15-02-2022	Revision A	Date	Project responsible SAN	Next page 13	Page 12



	Multibooster, -P version BF16, BF24, BF32	Input pump 3 Only BF24 and BF32	Dwg. Number 110008637	Init. Project responsible SAN	DCC &EFS	No of pages 17
			Date 15-02-2022	Revision A	Next page 14	Page 13



Multibooster-P version  
BF16, BF24, BF32

Power and communication pump 4  
Only BF32

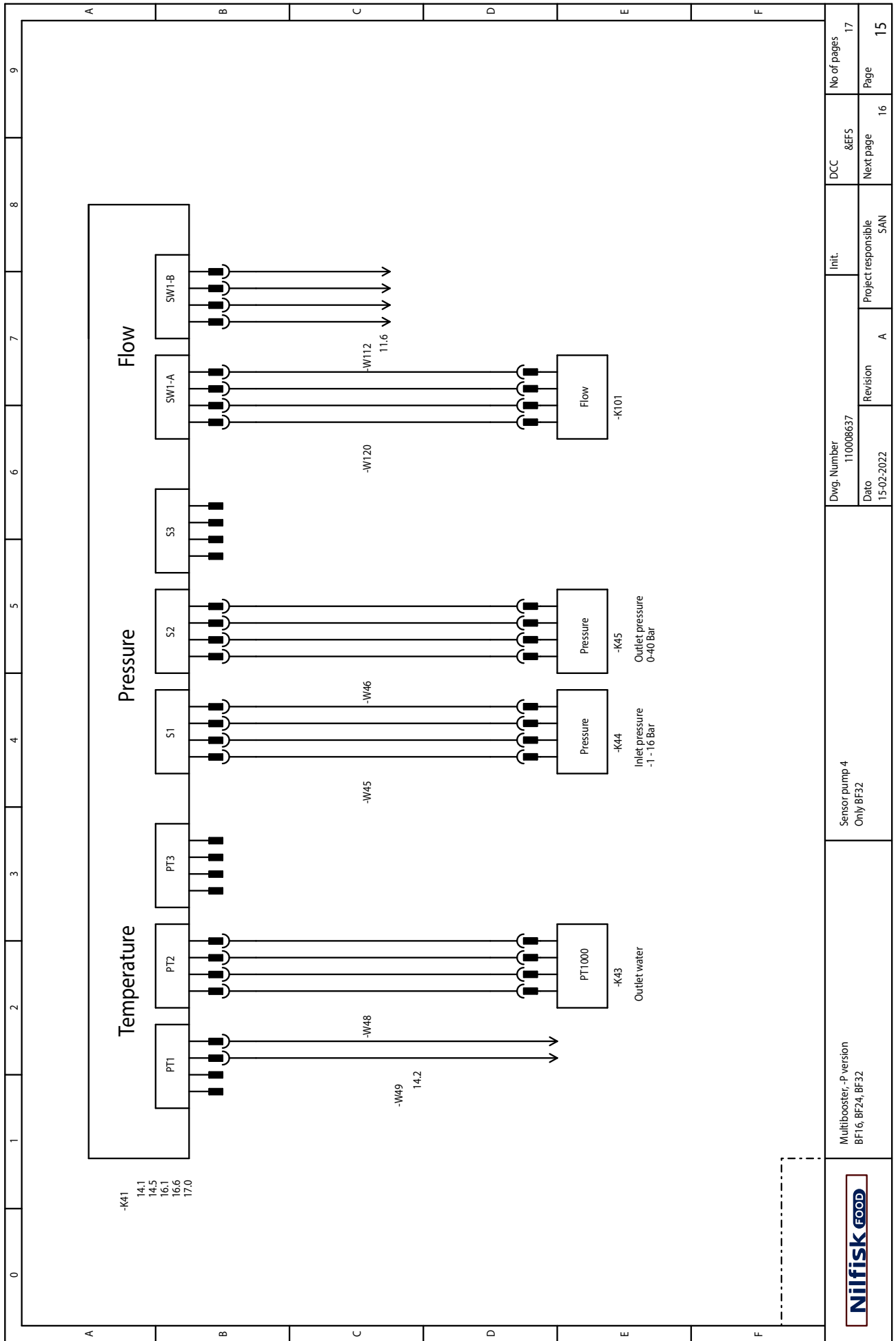
Dwg. Number  
110008637

Init.  
Project responsible  
SAN

DCC  
&EFS  
Next page  
15

No of pages  
17

Page  
14



Multibooster, -P version  
BF16, BF24, BF32

Sensor pump 4  
Only BF32

Dwg. Number  
110008637

Date  
15-02-2022

Init.

Project responsible  
SAN

DCC

Next page

&EFS

Page

No of pages

17

Revision

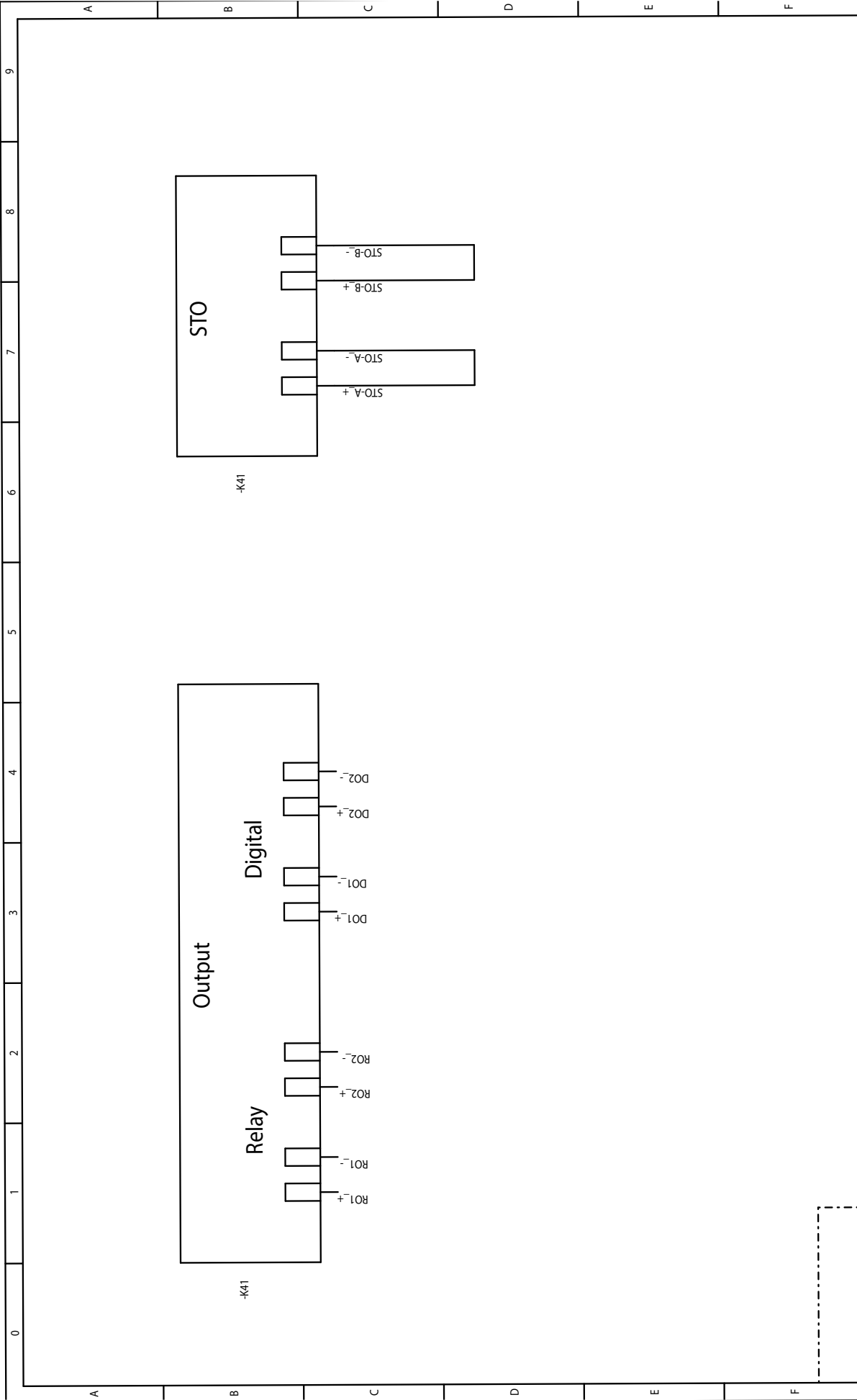
A

Next page

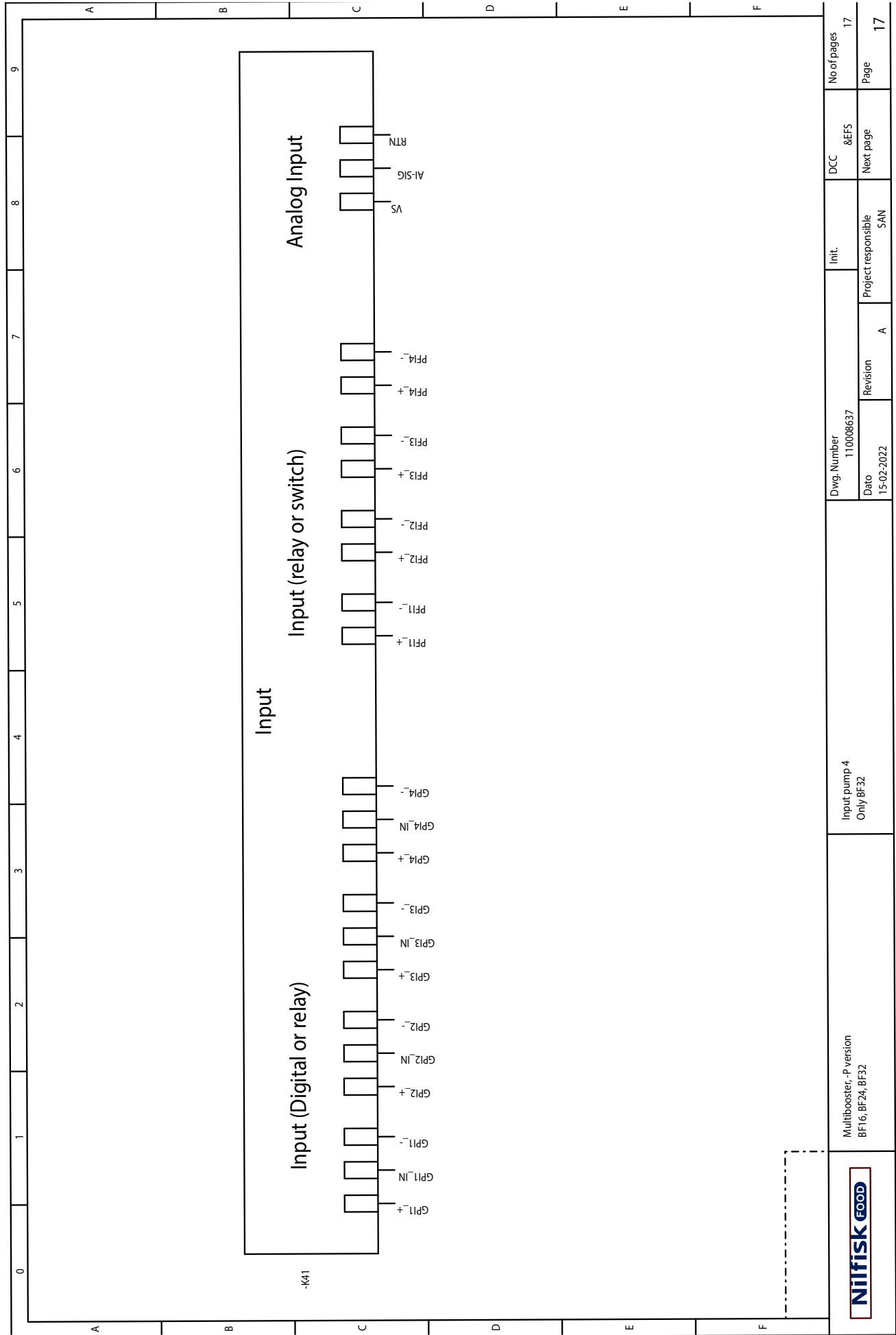
16

Page

15



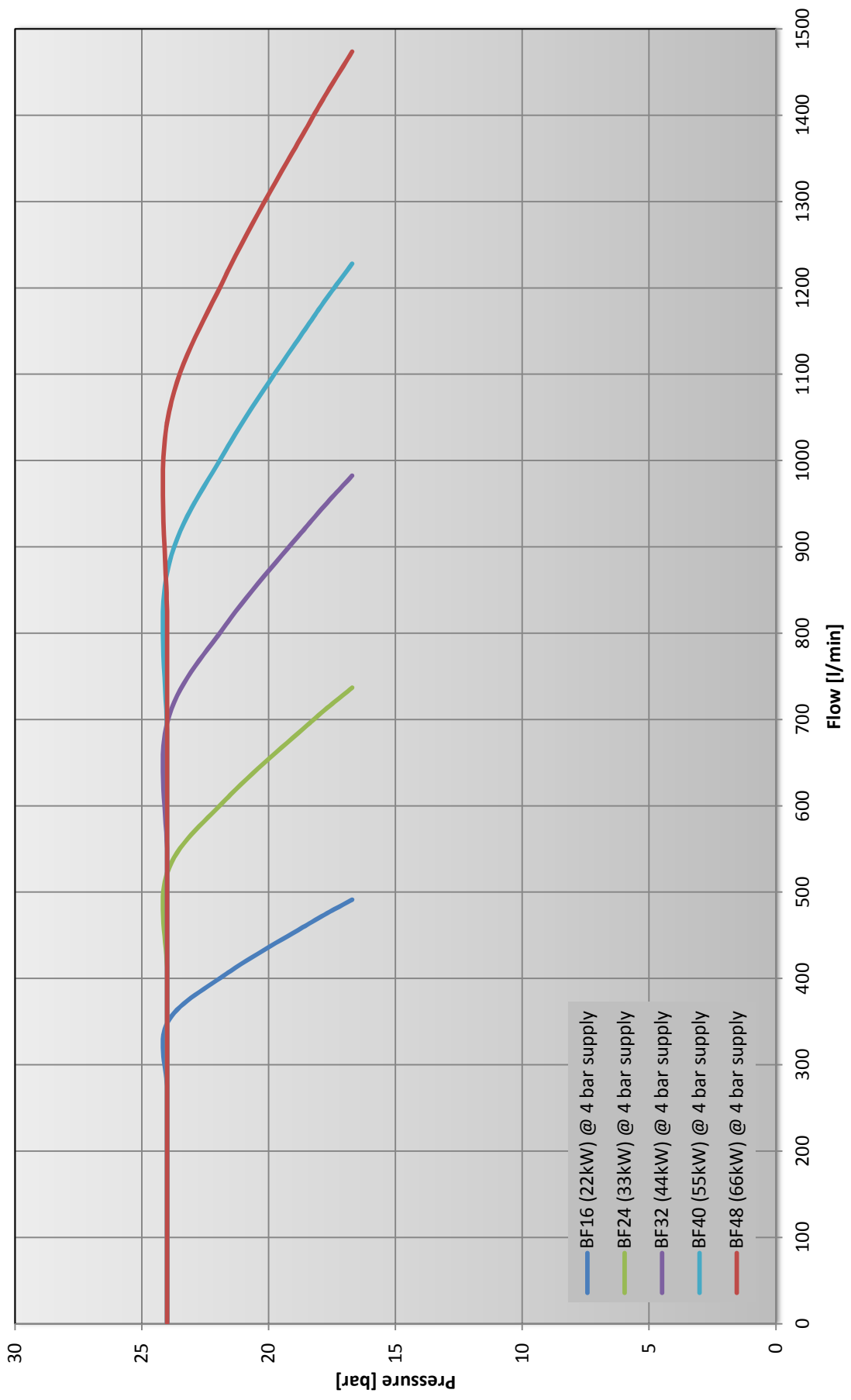
	Multibooster - P version BF16, BF24, BF32	Output & STO pump 4 Only BF32	Dwg. Number 110008637	Init.	DCC	No of pages 17
	Dato 15-02-2022	Revision A	Project responsible SAN	Next page 17	Page 16	



	Multibooster - P version BF16, BF24, BF32		Input pump 4 Only BF32		Dwg. Number 110008637		Init.		DCC		No of pages 17	
	Revision A		Project responsible SAN		Date 15-02-2022		Next page		&EFS		Page 17	

# 10. Pumpenkennlinie

Pumpcurve BF16-BF48



110000455

## 11. Déclaration de Conformité

### Hybrid-P, BF16, BF24, BF32, BF40, BF48

- Ⓔ Declaration of Conformity
- Ⓓ Konformitätserklärung
- Ⓕ Déclaration de Conformité
- Ⓘ Dichiarazione di Conformità
  
- Ⓔ Declaración de Conformidad
- Ⓗ Declaração de Conformidade
- Ⓔ Δήλωση Συμμόρφωσης
- Ⓖ Overeenkomstigheidsverklaring
- Ⓔ Försäkran om överensstämmelse
- Ⓕ Vaatimustenmukaisuusvakuutus
- Ⓓ Overensstemmelseserklæring
- Ⓗ Deklaracja zgodności
- Ⓔ Декларация о соответствии
- Ⓔ Megfelelőségi nyilatkozat
- Ⓔ Izjava o skladnosti
- Ⓔ Izjava o usklađenosti
- Ⓔ Deklaracija o konformitetu
- Ⓔ Declarație de Conformitate



**Nilfisk FOOD**  
**Blytækkervej 2**  
**9000 Aalborg**  
**Danmark**

**EN Declaration of Conformity**

We Nilfisk FOOD, declare under our sole responsibility that the products Hybrid-P BF16+, BF24+, BF32+, BF40+, BF48+, to which this declaration relates, are in conformity with these Council directives on the approximation of the laws of the EC member states:

Function: Pumping Station  
Modell/Type:  
Hybrid-P BF16-2+, BF24-3+, BF32-4+, BF40-5+, BF48-6+. Serial number: All

Machinery Directive (2006/42/EC:2006-05-17).  
Standard used: EN 60335-2-41/A2:2010

EMC Directive (2004/108/EC:2004-12-15).  
Standard used: EN 55014-1/A1: 2021 and EN 55014-2/A2:2008  
Standard used: EN 61000-3-2/A2:2009 and EN 61000-3-3:2008

**FR Déclaration de conformité**

Nous, Nilfisk FOOD, déclarons sous notre propre responsabilité que les produits Hybrid-P BF16+, BF24+, BF32+, BF40+, BF48+, auxquels se réfère cette déclaration, sont conformes à ces directives du Conseil sur le rapprochement des législations des États membres :

Fonction : Station de pompage  
Modèle/Type :  
Hybrid-P BF16-2+, BF24-3+, BF32-4+, BF40-5+, BF48-6+. Numéro de série : Tous

Directive 2006/42/CE du 17 mai 2006 relative aux machines  
Normes appliquées : EN 60335-2-41/A2:2010

Directive CEM (2004/108/CE:2004-12-15).  
Normes appliquées : EN 55014-1/A1: 2021 et EN 55014-2/A2:2008  
Normes appliquées : EN 61000-3-2/A2:2009 et EN 61000-3-3:2008

**DE Konformitätserklärung**

Nilfisk FOOD, als alleinverantwortlich, erkläre hiermit, dass: Hybrid-P BF16+, BF24+, BF32+, BF40+, BF48+, in Übereinstimmung mit den Richtlinien zur Angleichung der Rechtsvorschriften der Mitgliedstaaten ist:

Funktion: Pumpenstation  
Modell/Typ:  
Hybrid-P BF16-2+, BF24-3+, BF32-4+, BF40-5+, BF48-6+.  
Seriennummer: Alle

Maschinendirektive (2006/42/EC:2006-05-17).  
Standarden: EN 60335-2-41/A2:2010

EMC Direktive (2004/108/EC:2004-12-15).  
Standarden: EN 55014-1/A1: 2021 og EN 55014-2/A2:2008  
Standarden: EN 61000-3-2/A2:2009 og EN 61000-3-3:2008

**IT Dichiarazione di conformità**

Nilfisk FOOD dichiara sotto la sua esclusiva responsabilità che i prodotti Hybrid-P BF16+, BF24+, BF32+, BF40+, BF48+, ai quali fa riferimento la presente dichiarazione, sono conformi alle direttive del Consiglio concernenti il riavvicinamento delle legislazioni degli stati membri della UE:

Funzione: Stazione di pompaggio  
Modello/Tipo: Hybrid-P BF16-2+, BF24-3+, BF32-4+, BF40-5+, BF48-6+.  
Numero di serie: Tutti

Direttiva Macchine (2006/42/CE:2006-05-17).  
Standard utilizzato: EN 60335-2-41/A2:2010

Direttiva EMC (2004/108/CE:15.12.04).  
Standard utilizzato: EN 55014-1/A1: 2021 ed EN 55014-2/A2:2008  
Standard utilizzato: EN 61000-3-2/A2:2009 ed EN 61000-3-3:2008

## **ES** Declaración de Conformidad

Nosotros, Nilfisk FOOD, declaramos bajo nuestra única responsabilidad que los productos Hybrid-P BF16+, BF24+, BF32+, BF40+, BF48+, a los que se refiere esta declaración cumplen con las directivas de este Consejo sobre la legislación de los estados miembros de la CE:

Función: Estación de bombeo  
Modelo/tipo:  
Hybrid-P BF16-2+, BF24-3+, BF32-4+, BF40-5+, BF48-6+.  
Número de serie: All

Directiva sobre máquinas (2006/42/EC:2006-05-17).  
Normativa usada: EN 60335-2-41/A2:2010

Directiva CEM (2004/108/EC:15.12.04).  
Normativa usada: EN 55014-1/A1: 2021 y EN 55014-2/A2:2008  
Normativa usada: EN 61000-3-2/A2:2009 y EN 61000-3-3:2008

## **EL** Δήλωση Συμμόρφωσης

Εμείς η Nilfisk FOOD, δηλώνουμε υπό την αποκλειστική μας ευθύνη ότι τα προϊόντα Hybrid-P BF16+, BF24+, BF32+, BF40+, BF48+, με τον οποίο σχετίζεται αυτή η δήλωση, συμμορφώνονται με τις παρακάτω οδηγίες του συμβουλίου σχετικά με την προσέγγιση των νόμων των κρατών μελών της ΕΚ:

Λειτουργία: Σταθμός άντλησης  
Μοντέλο/Τύπος:  
Hybrid-P BF16-2+, BF24-3+, BF32-4+, BF40-5+, BF48-6+.  
Αριθμός σειράς: Όλοι

Οδηγία περί μηχανημάτων (2006/42/EC:2006-05-17).  
Χρησιμοποιούμενο πρότυπο: EN 60335-2-41/A2:2010

Οδηγία ΗΜΣ (2004/108/EC:15.12.04).  
Χρησιμοποιούμενο πρότυπο: EN 55014-1/A1: 2021 και EN 55014-2/A2:2008  
Χρησιμοποιούμενο πρότυπο: EN 61000-3-2/A2:2009 και EN 61000-3-3:2008

## **SV** Försäkran om överensstämmelse

Vi Nilfisk FOOD, tillkännager, under eget ansvar, att produkterna Hybrid-P BF16+, BF24+, BF32+, BF40+, BF48+, som omfattas av denna försäkran, är i överensstämmelse med rådets direktiv om tillnärmning av medlemsstaternas lagstiftning i EG:

Funktion: Pumpstation  
Modell/typ:  
Hybrid-P BF16-2+, BF24-3+, BF32-4+, BF40-5+, BF48-6+.  
Serienummer: Alla

Maskindirektiv (2006/42/EC:2006-05-17).  
Standard som används: EN 60335-2-41/A2:2010

EMC-direktivet (2004/108/EG :2004-12-15).  
Standard som används: EN 55014-1/A1: 2021 och EN 55014-2/A2:2008  
Standard som används: EN 61000-3-2/A2:2009 och EN 61000-3-3:2008

## **PT** Declaração de Conformidade

A Nilfisk FOOD declara, por sua exclusiva responsabilidade que os produtos Hybrid-P BF16+, BF24+, BF32+, BF40+, BF48+, referidos nesta declaração, se encontram em conformidade com estas diretivas do Conselho relativas à aproximação das disposições legislativas dos Estados-Membros da CE:

Função: Estação de bombagem  
Modelo/Tipo: Hybrid-P BF16-2+, BF24-3+, BF32-4+, BF40-5+, BF48-6+..  
Número de série: Todos

Directiva relativa às máquinas (2006/42/CE:2006-05-17).  
Norma utilizada: EN 60335-2-41/A2:2010

Directiva CEM (2004/108/CE:2004-12-15).  
Norma utilizada: EN 55014-1/A1: 2021 e EN 55014-2/A2:2008  
Norma utilizada: EN 61000-3-2/A2:2009 e EN 61000-3-3:2008

## **NL** Overeenkomstigheidsverklaring

Wij, Nilfisk FOOD, verklaren geheel onder eigen verantwoordelijkheid dat de producten Hybrid-P BF16+, BF24+, BF32+, BF40+, BF48+, waarop deze verklaring betrekking heeft, in overeenstemming zijn met de volgende Richtlijnen van de Raad betreffende de onderlinge aanpassing van de wetgevingen van de EG-lidstaten:

Functie: Pompinstallatie  
Model/Type: Hybrid-P BF16-2+, BF24-3+, BF32-4+, BF40-5+, BF48-6+.  
Serienummer: Alle

Machinerichtlijn (2006/42/EG:17-05-2006).  
Toegepaste norm: EN 60335-2-41/A2:2010

EMC-richtlijn (2004/108/EG:15-12-2004).  
Toegepaste norm: EN 55014-1/A1: 2021 en EN 55014-2/A2:2008  
Toegepaste norm: EN 61000-3-2/A2:2009 en EN 61000-3-3:2008

## **FI** Vaatimustenmukaisuusvakuutus

Me Nilfisk FOOD vakuutamme yksinomaisella vastuulla, että tuotteet Hybrid-P BF16+, BF24+, BF32+, BF40+, BF48+, jota tämä vakuutus koskee, noudattavat direktiivejä, jotka käsittelevät EY:n jäsenvaltioiden lakien yhdenmukaisuutta koskien seuraavia:

Toiminto: Pumpuasema  
Malli/tyyppi: Hybrid-P BF16-2+, BF24-3+, BF32-4+, BF40-5+, BF48-6+.  
Sarjanumero: Kaikki

Konedirektiivi (2006/42/EY:2006-05-17).  
Käytetty standardi: EN 60335-2-41/A2:2010

EMC-direktiivi (2004/108/EY:2004-12-15).  
Käytetty standardi: EN 55014-1/A1: 2021 ja EN 55014-2/A2:2008  
Käytetty standardi: EN 61000-3-2/A2:2009 ja EN 61000-3-3:2008

## **DA** Overensstemmelseserklæring

Nilfisk FOOD, erklærer under eneansvar, at produktet: Hybrid-P BF16+, BF24+, BF32+, BF40+, BF48+, som denne erklæring vedrører, er i overensstemmelse med følgende direktiver om tilnærmelse af EU medlemslandenes love:

Function: Pumping Station

Model/Type:

Hybrid-P BF16-2+, BF24-3+, BF32-4+, BF40-5+, BF48-6+. Serial number: All

Machinery Directive (2006/42/EC:2006-05-17).

Standard used: EN 60335-2-41/A2:2010

EMC Directive (2004/108/EC:2004-12-15).

Standard used: EN 55014-1/A1: 2021 and EN 55014-2/A2:2008

Standard used: EN 61000-3-2/A2:2009 and EN 61000-3-3:2008

## **RU** Декларация о соответствии

Мы, Nilfisk FOOD, принимая на себя всю ответственность, заявляем, что продукты Усовершенствованная Hybrid-P BF16+, BF24+, BF32+, BF40+, BF48+, которых касается настоящая декларация, соответствуют данным директивам Совета о приблизительном соответствии законам стран-членов CE:

Функциональное назначение: Насосная станция

Модель/Тип:

Hybrid-P BF16-2+, BF24-3+, BF32-4+, BF40-5+, BF48-6+.

Серийный номер: все

Директива машин (2006/42/EC:17-05-2006).

Используемый стандарт: EN 60335-2-41/A2:2010

Директива ЭМС (2004/108/EC:15-12-2004).

Используемый стандарт: EN 55014-1/A1: 2021 и EN 55014-2/A2:2008

Используемый стандарт: EN 61000-3-2/A2:2009 и EN 61000-3-3:2008

## **SL** Izjava o skladnosti

V Nilfisk FOODu s polno odgovornostjo izjavljamo, da so naši izdelki Hybrid-P BF16+, BF24+, BF32+, BF40+, BF48+, na katere se ta izjava nanaša, v skladu z naslednjimi direktivami Sveta o približevanju zakonodaje za izenačevanje pravnih predpisov držav članic ES:

Funkcija: Črpalna postaja

Model/Tip:

Hybrid-P BF16-2+, BF24-3+, BF32-4+, BF40-5+, BF48-6+.

Serijska številka: Vse

Direktiva o strojih (2006/42/EC:2006-05-17).

Uporabljeni standardi: EN 60335-2-41/A2:2010

Direktiva o elektromagnetni združljivosti (2004/108/EC:2004-12-15).

Uporabljeni standardi: EN 55014-1/A1: 2021 and EN 55014-2/A2:2008

Uporabljeni standardi: EN 61000-3-2/A2:2009 and EN 61000-3-3:2008

## **PL** Deklaracja zgodności

Firma Nilfisk ALTO z pełną odpowiedzialnością oświadcza, że produkty Hybrid-P BF16+, BF24+, BF32+, BF40+, BF48+, których dotyczy ta deklaracja, spełniają wymogi poniższych dyrektywa Rady zgodnymi z prawem obowiązującym państwa członkowskie UE:

Funkcja: Stacja pompująca

Model/typ Hybrid-P BF16-2+, BF24-3+, BF32-4+, BF40-5+, BF48-6+.

Numer seryjny: Wszystkie

Dyrektywa Maszynowa (2006/42/EC:2006-05-17).

Stosowana norma: EN 60335-2-41/A2:2010

Dyrektywa w sprawie kompatybilności elektromagnetycznej (2004/108/EC:15.12.04).

Stosowane normy: EN 55014-1/A1: 2021 i EN 55014-2/A2:2008

Stosowane normy: EN 61000-3-2/A2:2009 i EN 61000-3-3:2008

## **HU** Megfelelőségi nyilatkozat

Mi, a Nilfisk FOOD, kizárólagos felelősségünk tudatában kijelentjük, hogy a Hybrid-P BF16+, BF24+, BF32+, BF40+, BF48+, Amelyekre ez a nyilatkozat vonatkozik, megfelelnek az EU tagállamok törvényi rendelkezéseinek közzétételéről szóló tanácsi irányelveknek:

Funkció: Szivattyútelep

Modell/Típus: Hybrid-P BF16-2+, BF24-3+, BF32-4+, BF40-5+, BF48-6+.

Sorozatszám: Összes

Gépekre vonatkozó irányelv (2006/42/EC:2006-05-17).

Alkalmazott szabvány: EN 60335-2-41/A2:2010

EMC irányelv (2004/108/EC:2004-12-15).

Alkalmazott szabvány: EN 55014-1/A1: 2021 és EN 55014-2/A2:2008

Alkalmazott szabvány: EN 61000-3-2/A2:2009 és EN 61000-3-3:2008

## **HR** Izjava o usklađenosti

Mi, Nilfisk FOOD, izjavljujemo pod vlastitom odgovornošću da je proizvod Hybrid-P BF16+, BF24+, BF32+, BF40+, BF48+, na koji se ova izjava odnosi, u skladu s direktivama ovog Vijeća o usklađivanju zakona država članica EU:

Funkcija: Pumpna postaja

Model/vrsta: Hybrid-P BF16-2+, BF24-3+, BF32-4+, BF40-5+, BF48-6+.

Serijski broj: Svi

Izjava o strojevima (2006/42/EC:2006-05-17).

Primijenjena norma: EN 60335-2-41/A2:2010

Izjava o elektromagnetskoj kompatibilnosti (2004/108/EC:2004-12-15).

Primijenjena norma: EN 55014-1/A1: 2021 i EN 55014-2/A2:2008

Primijenjena norma: EN 61000-3-2/A2:2009 i EN 61000-3-3: 2008

## **SR** Deklaracija o konformitetu

Mi, Nilfisk FOOD, izjavljujemo pod vlastitom odgovornošću da je proizvod Hybrid-P BF16+, BF24+, BF32+, BF40+, BF48+, na koji se ova izjava odnosi, u skladu sa direktivama, Saveta za usklađivanje zakona država članica EU:

Funkcija: Stanica za pumpanje

Model/tip:

Hybrid-P BF16-2+, BF24-3+, BF32-4+, BF40-5+, BF48-6+.

serijski broj: Kompletna

direktiva o mašinama (2006/42/EC:2006-05-17).

Primenjen standard: EN 60335-2-41/A2:2010

EMC direktiva (2004/108/EC:2004-12-15).

Primenjen standard: EN 55014-1/A1: 2021 i EN 55014-2/A2:2008

Primenjen standard: EN 61000-3-2/A2:2009 i EN 61000-3-3:2008

## **RO** Declarație de Conformitate

Noi, Nilfisk FOOD, declarăm pe propria răspundere că produsele Hybrid-P BF16+, BF24+, BF32+, BF40+, BF48+, la care se referă această declarație, sunt în conformitate cu aceste Directive de Consiliu asupra armonizării legilor Statelor Membre CE:

Funcție: Stație de igienizare și de pompare

Model/Tip: Hybrid-P BF16-2+, BF24-3+, BF32-4+, BF40-5+, BF48-6+.

Număr de serie: toate

Directiva Mașini (2006/42/EC:2006-05-17).

Standarde utilizate: EN 60335-2-41/A2:2010

Directiva EMC (2004/108/EC:15.12.04).

Standarde utilizate: EN 55014-1/A1: 2021 și EN 55014-2/A2:2008

Standarde utilizate: EN 61000-3-2/A2:2009 și EN 61000-3-3:2008

## **BG** Декларация за съответствие

Ние, фирма Nilfisk FOOD, заявяваме с пълна отговорност, че продуктите Hybrid-P BF16+, BF24+, BF32+, BF40+, BF48+, за които се отнася настоящата декларация, отговарят на следните указания на Съвета за уеднаквяване на правните разпоредби на държавите членки на ЕС:

Функция: Помпена станция

Модел/Тип:

Hybrid-P BF16-2+, BF24-3+, BF32-4+, BF40-5+, BF48-6+.

Сериен номер: Всички

Директива относно машините (2006/42/EO: 17.05.2006 г.).

Използван стандарт: EN 60335-2-41/A2:2010

Директива относно електромагнитната съвместимост (2004/108/EO: 15.12.2004 г.).

Използван стандарт: EN 55014-1/A1: 2021 и EN 55014-2/A2:2008

Използван стандарт: EN 61000-3-2/A2:2009 и EN 61000-3-3:2008

## **SK** Prehlásenie o konformite

My firma Nilfisk FOOD prehlasujeme na svoju plnú zodpovednosť, že výrobky Hybrid-PBF16+, BF24+, BF32+, BF40+, BF48+, na ktoré sa toto prehlásenie vzťahuje, sú v súlade s ustanovením smernice Rady pre zblíženie právnych predpisov členských štátov Európskeho spoločenstva v oblastiach:

Funkcia: Čerpacia stanica

Model/typ:

Hybrid-P BF16-2+, BF24-3+, BF32-4+, BF40-5+, BF48-6+.

Sériové číslo: Všetky

Smernica o strojních zariadeniach (2006/42/ES: 17.5.2006).

Použitá norma: EN 60335-2-41/A2: 2010

Smernica o elektromagnetickej kompatibilite (2004/108/ES: 15.12.2004).

Použitá norma: EN 55014-1/A1: 2021 a EN 55014-2/A2: 2008

Použitá norma: EN 61000-3-2/A2: 2009 a EN 61000-3-3: 2008

## **CS** Prohlášení o shodě

My firma Nilfisk FOOD prohlašujeme na svou plnou odpovědnost, že výrobky Hybrid-P BF16+, BF24+, BF32+, BF40+, BF48+, na něž se toto prohlášení vztahuje, jsou v souladu s ustanoveními směrnice Rady pro sblížení právních předpisů členských států Evropského společenství v oblastech:

Funkce: Čerpací stanice

Model/Typ: Hybrid-P BF16-2+, BF24-3+, BF32-4+, BF40-5+, BF48-6+.

Výrobní číslo: Všechna

Směrnice o strojních zařízeních (2006/42/EC:2006-05-17).

Použitá norma: EN 60335-2-41/A2:2010

Směrnice EMC (2004/108/EC:2004-12-15).

Použitá norma: EN 55014-1/A1: 2021 a EN 55014-2/A2:2008

Použitá norma: EN 61000-3-2/A2:2009 a EN 61000-3-3:2008

## **TR** Uygunluk Bildirgesi

Nilfisk FOOD olarak bu beyannameye konu olan Hybrid-P BF16+, BF24+, BF32+, BF40+, BF48+, ürünlerinin, AB Üyesi Ülkelerin kanunlarını birbirine yaklaştırma üzerine Konsey Direktifleriyle uyumlu olduğunu yalnızca bizim sorumluluğumuz altında olduğunu beyan ederiz:

Fonksiyon: Pompalama İstasyonu

Model/Tip: Hybrid-P BF16-2+, BF24-3+, BF32-4+, BF40-5+, BF48-6+.

Seri numarasi: Tümü

Makine Direktifi (2006/42/EC:2006-05-17).

Kullanılmış standartlar: EN 60335-2-41/A2:2010

EMC Direktifi (2004/108/EC:2004-12-15).

Kullanılmış standartlar: EN 55014-1/A1: 2021 ve EN 55014-2/A2:2008

Kullanılmış standartlar: EN 61000-3-2/A2:2009 ve EN 61000-3-3:2008

## **ET** Vastavusdeklaratsioon

Meie, Nilfisk FOOD, deklareerime enda ainuvastutusel, et tooted Hybrid-P BF16+, BF24+, BF32+, BF40+, BF48+, mille kohta käesolev juhend käib, on vastavuses EÜ Nõukogu direktiividega EMÜ liikmesriikide seaduste ühitamise kohta, mis käsitlevad:

Funktsioon: Pumbajaam

Mudel/tüüp:

Hybrid-P BF16-2+, BF24-3+, BF32-4+, BF40-5+, BF48-6+.

Seerianumber: kõik

Masinaidirektiiv (2006/42/EÜ:2006-05-17).

Kasutatav standard: EN 60335-2-41/A2:2010

Elektromagnetilise ühilduvuse (EMC) direktiiv (2004/108/EÜ:2004-12-15).

Kasutatav standard: EN 55014-1/A1: 2021 ja EN 55014-2/A2:2008

Kasutatav standard: EN 61000-3-2/A2:2009 ja EN 61000-3-3:2008

## **LT** Atitikties deklaracija

Mes, Nilfisk FOOD, su visa atsakomybe pareiškiame, kad gaminiai Hybrid-P BF16+, BF24+, BF32+, BF40+, BF48+, kuriems skirta ši deklaracija, atitinka šias Tarybos Direktyvas dėl Europos Ekonominės Bendrijos šalių narių įstatymų suderinimo:

Paskirtis: Pumpavimo terminalas

Modelis / tipas:

Hybrid-P BF16-2+, BF24-3+, BF32-4+, BF40-5+, BF48-6+.

Serijos numeris: visi

Mašinų direktyvą (2006/42/EB:2006-05-17),

taikytas standartas: EN 60335-2-41/A2:2010;

Elektromagnetinio suderinamumo direktyvą (2004/108/EB:2004-12-15),

taikytas standartas: EN 55014-1/A1: 2021 ir EN 55014-2/A2:2008,

taikytas standartas: EN 61000-3-2/A2:2009 ir EN 61000-3-3:2008

## **LV** Paziņojums par atbilstību prasībām

Sabiedrība Nilfisk FOOD ar pilnu atbildību dara zināmu, ka produkti Hybrid-P BF16+, BF24+, BF32+, BF40+, BF48+, uz kuriem attiecas šis paziņojums, atbilst šādām Padomes direktīvām par tuvināšanos EK dalībvalstu likumdošanas normām:

Funkcija: Sūkņa stacija

Modelis/tips:

Hybrid-P BF16-2+, BF24-3+, BF32-4+, BF40-5+, BF48-6+.

Sērijas numurs: visi.

Mašīnu direktīva (2006/42/EK, 17.05.2006.)

Izmantotais standarts: EN 60335-2-41/A2:2010

Elektromagnētiskās savietojamības direktīva (2004/108/EK, 15.12.2004.)

Izmantotais standarts: EN 55014-1/A1: 2021 un EN 55014-2/A2:2008

Izmantotais standarts: EN 61000-3-2/A2:2009 un EN 61000-3-3:2008

## **UK** Свідчення про відповідність вимогам

Компанія Nilfisk FOOD заявляє про свою виключну відповідальність за те, що продукти Hybrid-P BF16+, BF24+, BF32+, BF40+, BF48+, на які поширюється дана декларація, відповідають таким рекомендаціям Ради з уніфікації правових норм країн -членів ЕС:

Функція: Насосна станція

Модель/Тип: Hybrid-P BF16-2+, BF24-3+, BF32-4+, BF40-5+, BF48-6+.

Серійний номер: усі

Директива щодо машинного обладнання (2006/42/EC:2006-05-17).

Використаний стандарт: EN 60335-2-41/A2:2010

Директива щодо електромагнітної сумісності (2004/108/EC:2004-12-15).

Використаний стандарт: EN 55014-1/A1: 2021 та EN 55014-2/A2:2008

Використаний стандарт: EN 61000-3-2/A2:2009 та EN 61000-3-3:2008

**Technical file responsible:**

**Signature:**

Flemming Asp

R & D Manager

Aalborg d. 11-05-2022

## Table des matières FR

1. Description.....	71
1.1 Multi Booster De Disposition BF16 - BF24 .....	72
1.2 Multi Booster De Disposition BF32 - BF40 - BF48.....	73
1.3 Diagrammes de fonctionnement Multi Booster BF16 - BF24 - BF32 - BF40 - BF48 .....	74
2. Entretien .....	75
2.1 Filtre .....	75
2.2 Arrêts prolongés.....	75
3. Système neuf.....	75
3.1 Unités neuves .....	75
4. Opérations quotidiennes.....	75
4.1 Démarrage .....	75
4.2 Arrêt .....	75
5. Révision.....	76
5.1 Composants .....	76
5.1.1 Pompe/moteur.....	76
5.1.2 Système de commande .....	76
5.1.3 Déclencheur de débit .....	76
5.1.4 Non-return valve/intake side .....	76
5.2 Recyclage et mise au rebut.....	76
6. Localisation des défauts.....	77
6.1 L'unité de démarre pas.....	77
6.2 Le voyant "Δ" sur le panneau de commande est allumé.....	78
6.3 Pression trop faible ou instable.....	78
7. Pièces de rechange conseillées .....	79
8. Spécifications .....	79
9. Diagramme électrique .....	80
10. Courbe de pompe.....	97
11. Déclaration de Conformité.....	98



## 1. Description

Le Booster de la série Hybrid-P est une unité de pompage entièrement opérationnelle alimentant en eau sous pression des unités de nettoyage satellites connectées. Par conséquent le propulseur doit être fourni avec de l'eau dans la quantité et la puissance suffisantes selon des caractéristiques.

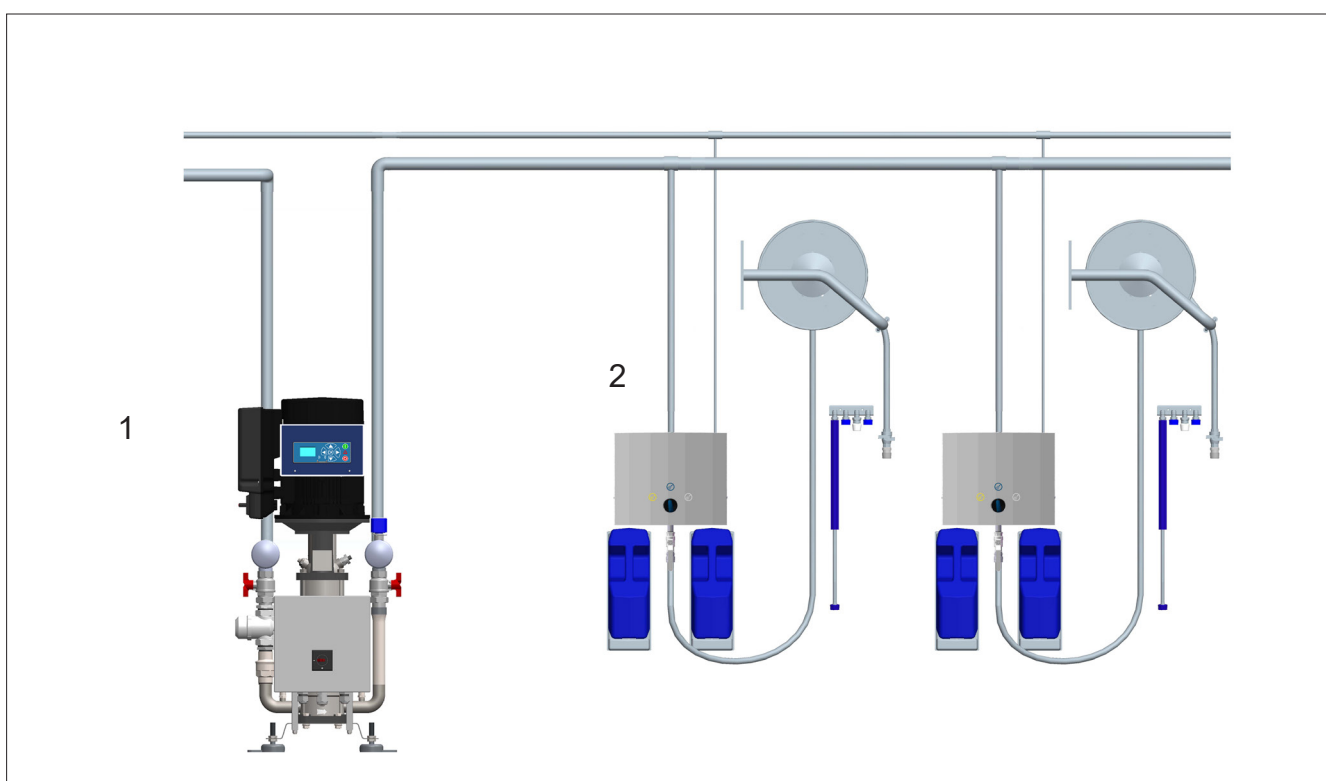
L'unité est alors prête pour le nettoyage.

Le booster est équipé d'une pompe à fréquence contrôlée assurant une pression de travail constante quel que soit le rythme d'utilisation.

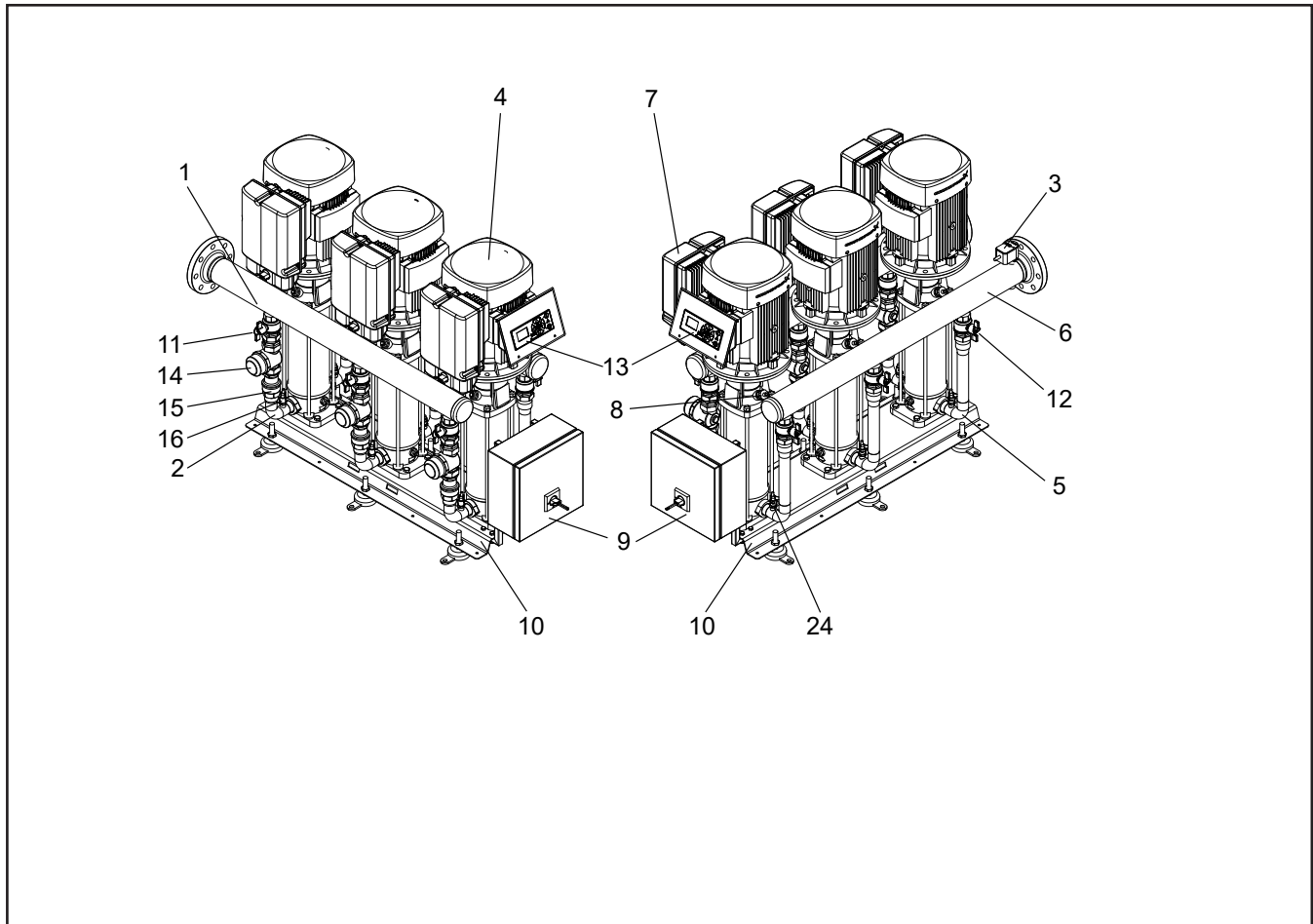
Important : N'utilisez pas l'eau du système à d'autres fins que le nettoyage.

Une installation typique de propulseur de plancher est montrée dans fig. 2

- Booster (1)
- Unité satellite (2)



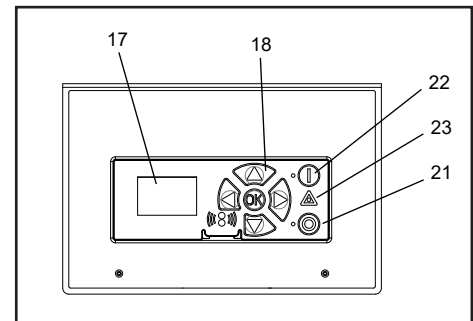
110008634



110008450A

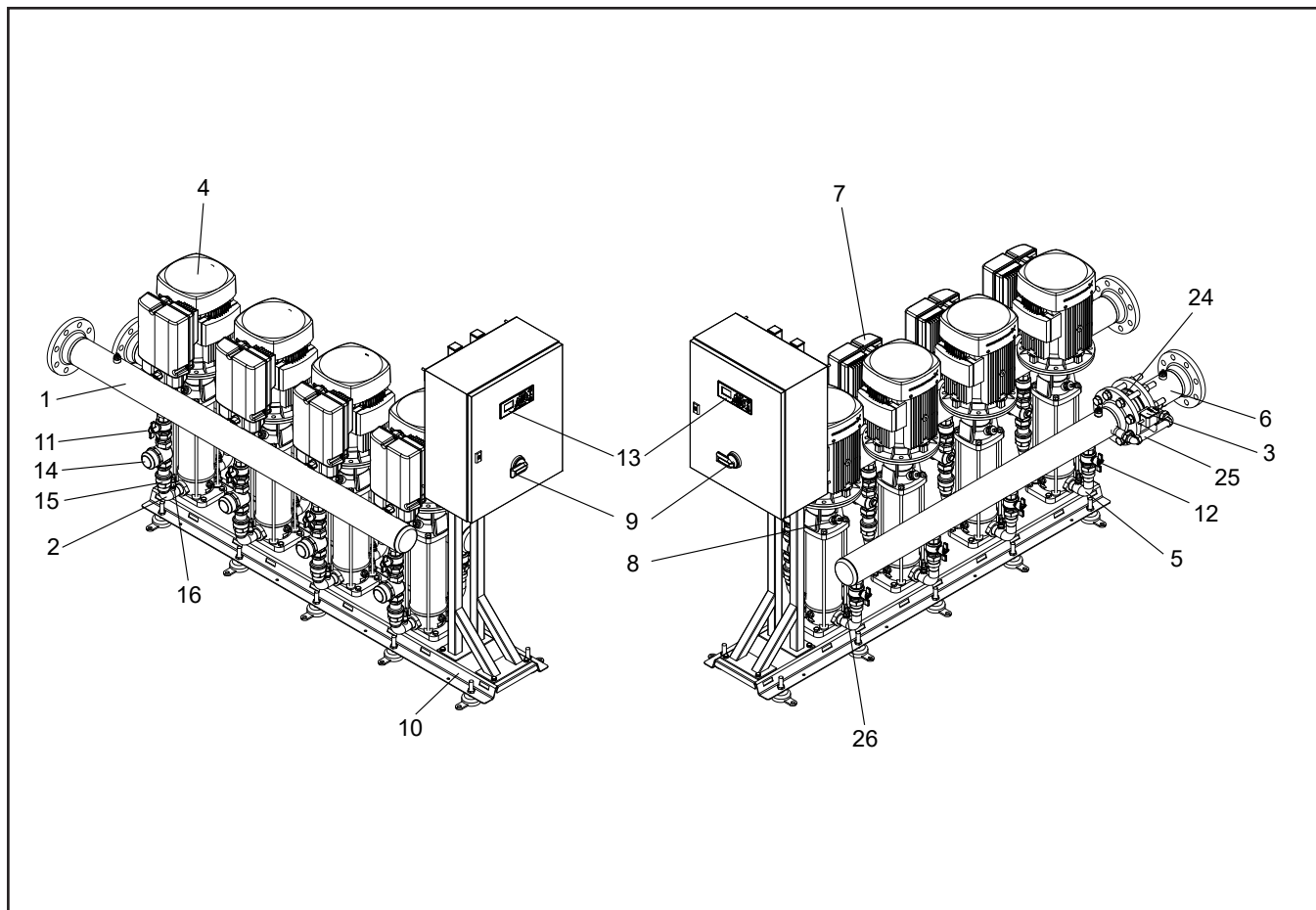
## 1.1 Multi Booster BF16 - BF24

1. Admission eau
2. Entrée collecteur
3. Détecteur d'écoulement
4. Pompe
5. Sortie collecteur
6. Conduit de sortie
7. Boîte d'inverseur
8. Température capteur
9. Boîte électrique de raccordement
10. Parenthèse de plancher
11. Valve à bille d'admission
12. Valve à bille de sortie
13. Panneau de commande
14. Crépine
15. Valve non de retour
16. Capteur de pression d'admission
17. Affichage
18. Boutons de navigation
21. • O Bouton-poussoir. Arrêt
22. • I Bouton-poussoir. Démarrage
23. • Δ Voyant. Allumé en cas d'erreur
24. Capteur de pression de sortie



110002183

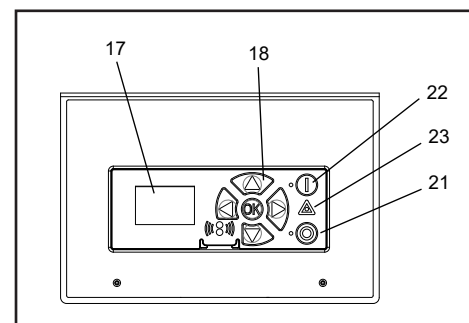




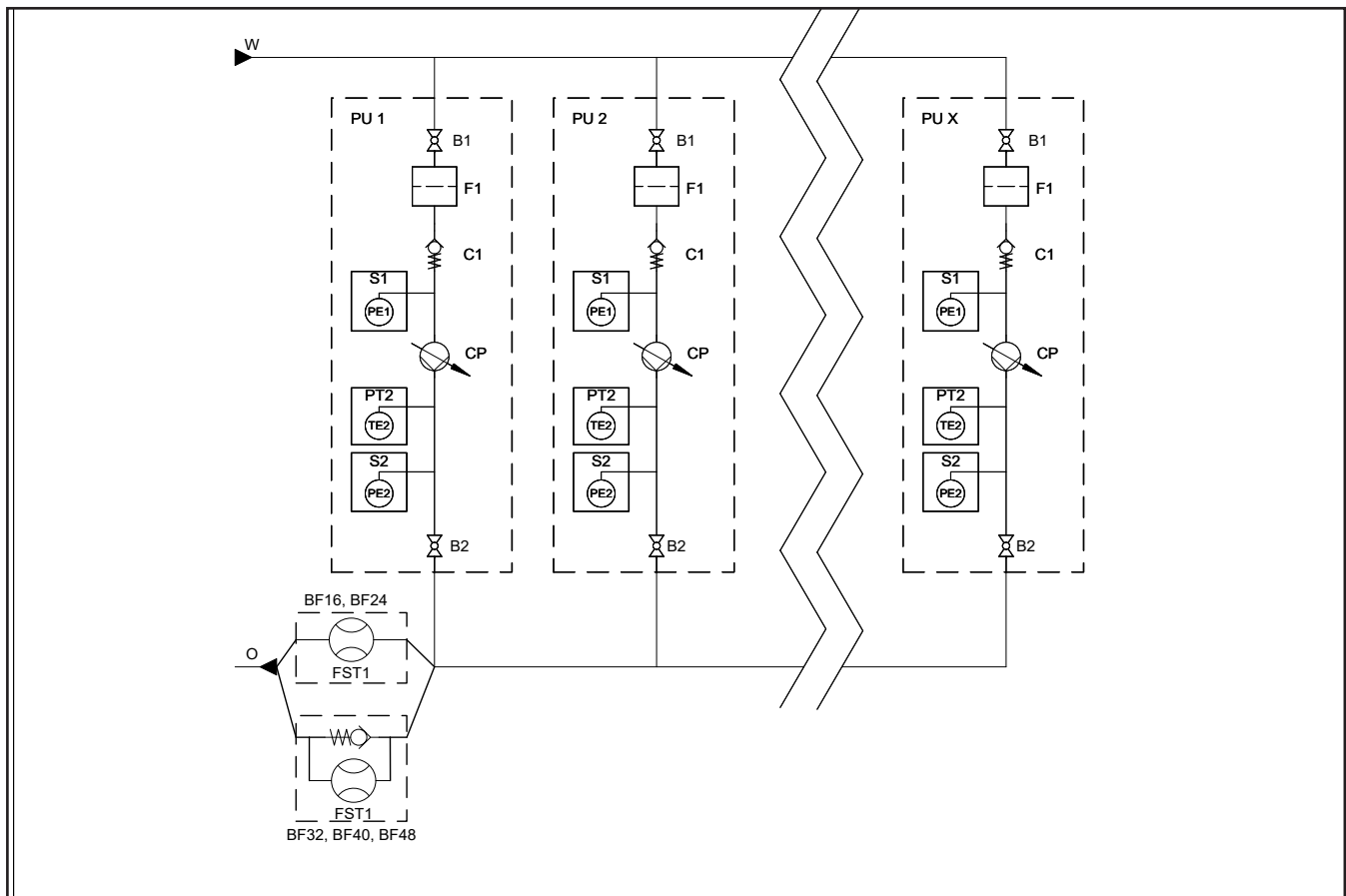
110008454A

## 1.2 Multi Booster BF32-BF40-BF48

1. Admission eau
2. Entrée collecteur
3. Détecteur d'écoulement
4. Pompe
5. Sortie collecteur
6. Conduit de sortie
7. Boîte d'inverseur
8. Température apteur
9. Boîte électrique de raccordement
10. Parenthèse de plancher
11. Valve à bille d'admission
12. Valve à bille de sortie
13. Panneau de commande
14. Crépine
15. Valve non de retour
16. Capteur de pression d'admission
17. Affichage
18. Buttons de navigation
21. • ○ Bouton-poussoir. Arrêt
22. • I Bouton-poussoir. Démarrage
23. • Δ Voyant. Allumé en cas d'erreur
24. Clapet de retenue pour dérivation
25. Dérivation
26. Capteur de pression de sortie



110002183



110008439

### 1.3 Diagrammes de fonctionnement

#### Multi Booster BF16 - BF24 - BF32 - BF40 - BF48

- B. Clapet à bille.
- F. Filtre
- FST. Contacteur débitmétrique.
- C. Clapet de retenue.
- PE. Capteur de pression.
- TE. Capteur température.
- CP. Pompe centrifuge.
- D. Sortie.
- PU. Unité de pompe.
- W. Admission eau.
- SN. Nr de douille.

## 2. Entretien

Il faut cependant le nettoyer comme les autres unités voisines. Nettoyer le filtre suivant des intervalles appropriés (env. 1 à 3 mois) selon la teneur en impuretés de l'eau.

### 2.1 Filtre

1. Appuyer sur "0" sur le panneau de commande pour arrêter le Booster.
2. Appuyer sur l'interrupteur principal (Fig. 1).

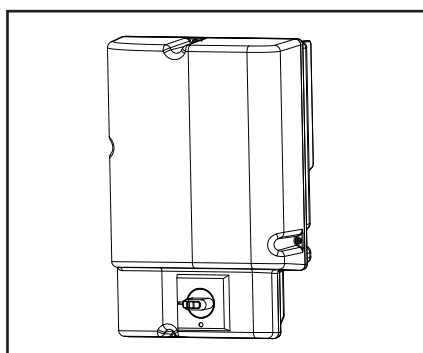


Fig. 1 110008442

3. Fermer l'admission d'eau.
4. Ouvrir le robinet pour relâcher la pression dans le système.
5. Retirer le filtre (A, Fig.2) et placez-le dans une solution de détartrage.

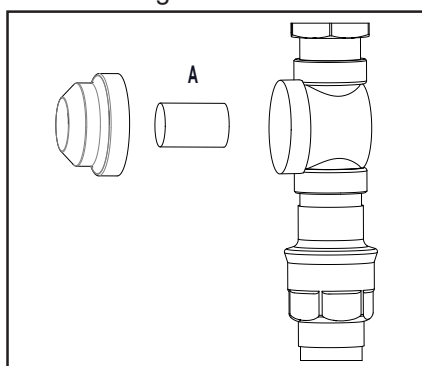


Fig. 2 110002117

6. Rincer à fond le filtre d'épuration et le remonter.
7. Maillage min. du filtre 800µ -> 1500µ.

### 2.2 Arrêts prolongés

Si des arrêts de production prolongés sont prévus (plus de 6 mois) et qu'il n'y a plus d'eau dans la pompe, il est conseillé de sécuriser la pompe de la manière suivante :

1. retirer la protection de sécurité du raccord
  2. pulvériser quelques gouttes d'huile de silicone sur l'axe entre la section supérieure et le raccord.
- Suivre attentivement les instructions indiquées dans le manuel du fabricant de la pompe.

## 3. Démarrage

### 3.1 Système neuf

Pour assurer que le démarrage d'un système neuf s'effectue sans problème, rincer et purger la tuyauterie.

### Purge de la tuyauterie

1. Ouvrir l'alimentation en eau pour rincer et purger tout le système. Si des unités satellites sont installées, ouvrir le robinet le plus éloigné jusqu'à l'évacuation complète de l'air ou des saletés. Rincer et purger le robinet suivant et continuer ainsi jusqu'à ce que le robinet le plus proche de vous soit rincé et purgé.
2. Monter les unités satellites éventuelles.

### Purge de la pompe

3. Appuyer sur "0" sur le panneau de commande pour arrêter le Booster.
4. Desserrer le bouchon de surpression (A, Fig 3) de 1 à 2 tours jusqu'à ce que l'air et l'eau commencent à s'échapper.

**Remarque** - Ne détachez jamais la prise de soulagement tandis que la pompe fonctionne pendant que ceci peut endommager l'emballage et causer le dommage corporel.

5. Resserrer le bouchon de surpression.

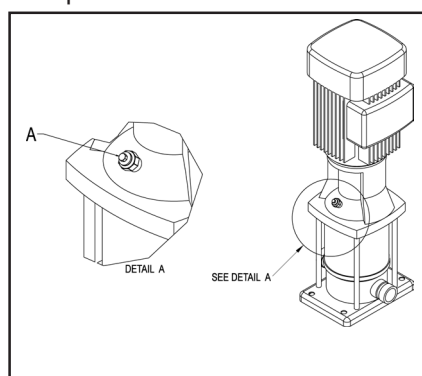


Fig. 3 0627131

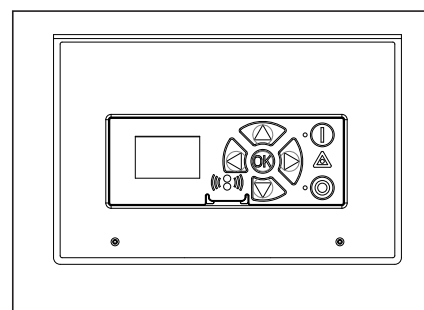


Fig. 4 110002183

6. Démarrer la pompe pour permettre à toutes les poches d'air restantes de remonter vers le haut de la pompe.
7. Arrêter la pompe.
8. Desserrer à nouveau le bouchon de surpression de 1 à 2 tours et purger le système jusqu'à ce que seulement de l'eau coule.
9. Resserrer le bouchon de surpression.

Le Booster est désormais prêt à fonctionner. Appuyer sur "I" sur le panneau de commande. (voir fig. 4).

## 4. Opérations quotidiennes

### 4.1 Démarrage

1. Contrôler que les admissions d'eau du système sont ouvertes.
2. Appuyer sur le bouton "I" du panneau de commande pour mettre l'unité en marche

### 4.2 Arrêt

1. Appuyer sur "0" sur le panneau de commande.
2. Fermer l'alimentation en eau.
3. Fermer l'alimentation en air.

**ATTENTION !** Il faut impérativement fermer l'eau et l'air avant de quitter la machine après utilisation, pour les raisons suivantes :

- Si l'alimentation en air est ouverte quand l'unité principale et les unités satellites sont hors service, l'air peut s'infiltrer dans la tuyauterie. Il faudra alors repurger le système.
- Le séparateur d'eau qui fait partie du régulateur d'air ne doit être vidé que lorsque l'air est fermé.

Il peut s'avérer nécessaire de repurger la tuyauterie et le Booster s'ils sont restés fermés pendant une période prolongée (congelés ou autres).

## 5. Révision

La révision ne doit être effectuée que par du personnel agréé et qualifié.

**Attention!** La révision du système ne doit être effectuée qu'une fois le système hors tension et dépressurisé.

1. Appuyer sur l'interrupteur principal du boîtier de commande (Fig. 1)
2. Ouvrir la sortie d'eau pour dépressuriser le système.

### 5.1 Composants

#### 5.1.1 Pompe/moteur

Pour plus d'informations sur la pompe/le moteur, veuillez consulter le manuel de la pompe du fournisseur de la pompe.

#### 5.1.2 Système de commande

Aucun entretien.

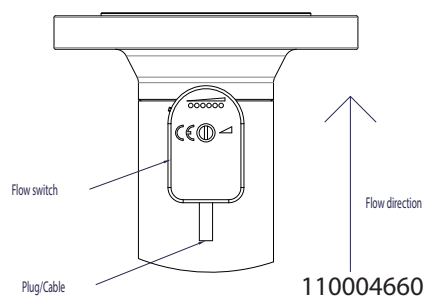
En cas de défaillance : faire appel à un technicien du service-après-vente.

#### 5.1.3 Déclencheur de débit

Aucun entretien.

En cas de défaillance, remplacer le commutateur de débit.

L'orientation du régulateur de débit doit être effectuée de manière à ce que la prise/ le bout du câble de l'interrupteur pointe à l'opposé de la direction du flux.

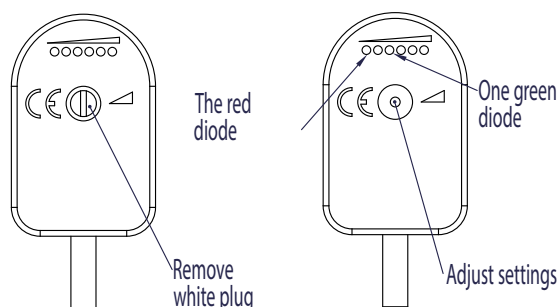


#### 5.1.3.1 Réglage du régulateur de débit

Quand le régulateur de débit est changé / installé, il doit être réglé.

1. Appuyez sur "1" sur le panneau de commande pour démarrer la machine.
2. Tournez la poignée de « rinçage/mousse » sur un satellite sur la position mousse.
3. Activez la poignée de vaporisation sur le tuyau d'évacuation du satellite afin que l'eau puisse s'épuiser.
4. Vérifiez que le régulateur de débit est placé de la bonne façon (le câble doit être à l'opposé de la direction du flux) (voir l'image).
5. Enlevez la vis / le bouchon blanc avant de régler (voir l'image).
6. Réglez le débit sur l'allumage d'une diode verte (voir l'image).
7. Refermez la poignée de vaporisation et vérifiez que la diode rouge s'allume.
8. Remontez la vis / le bouchon blanc.

Le régulateur de débit est maintenant réglé.



#### 5.1.4 Clapet de retenue/ côté admission

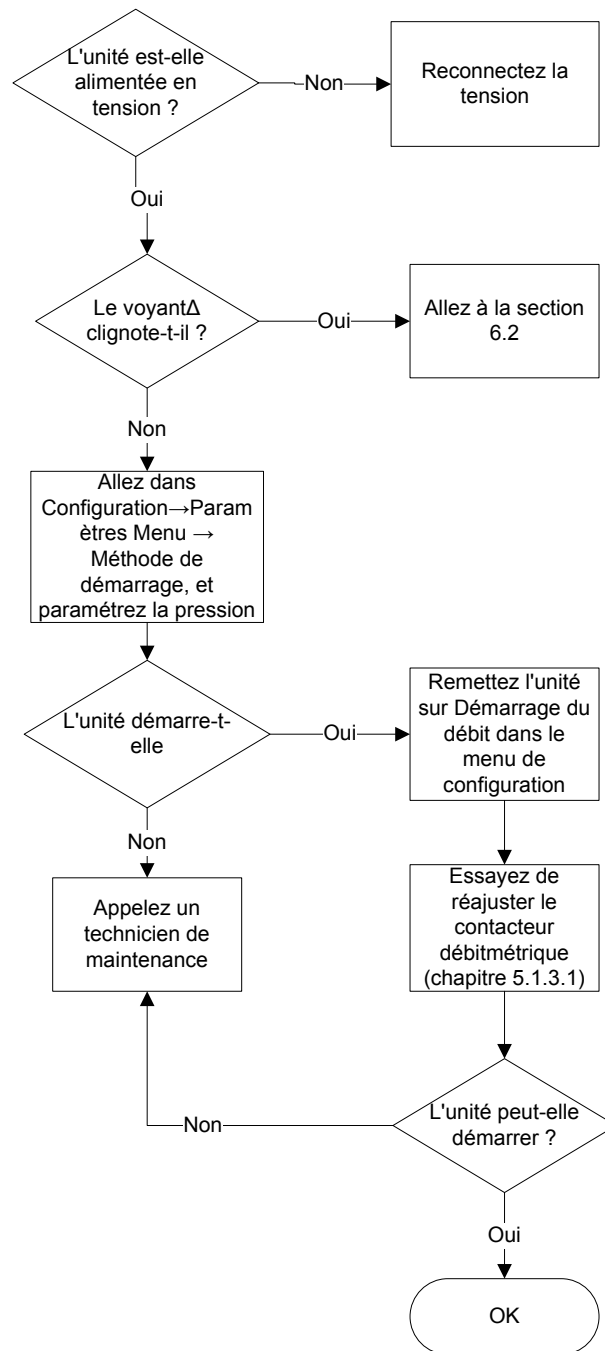
En cas de défaillance, remplacer le clapet de retenue.

### 5.2 Recyclage et mise au rebut

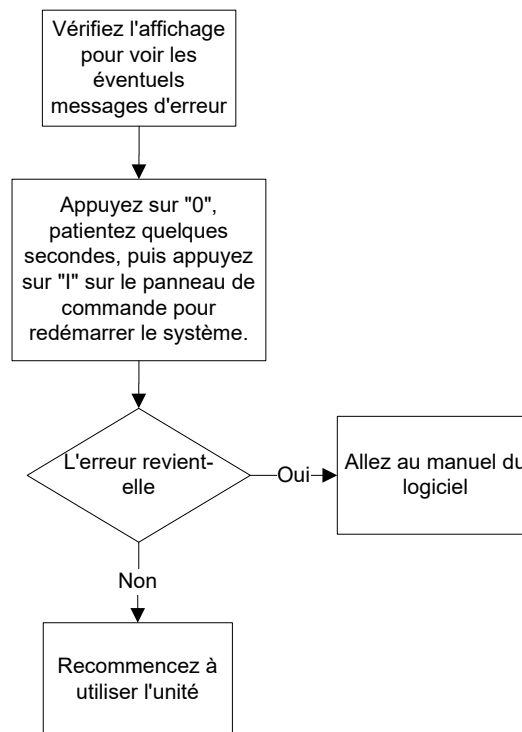
Recycler l'emballage et mettre l'appareil au rebut conformément aux recommandations des autorités locales.

## 6. Localisation des défauts

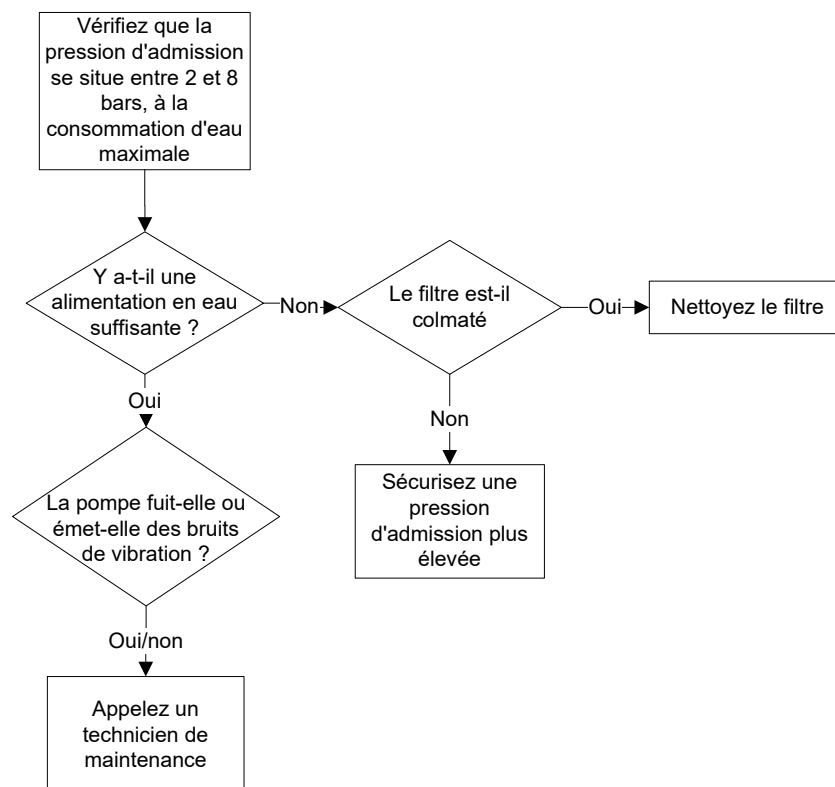
### 6.1 L'unité de démarre pas



## 6.2 Le voyant “Δ” sur le panneau de commande est allumé.



## 6.3 Si la pression d'entrée est faible ou instable !



## 7. Pièces de rechange conseillées

Les pièces de rechange recommandées sont identifiées par \* du manuel de pièce de rechange.

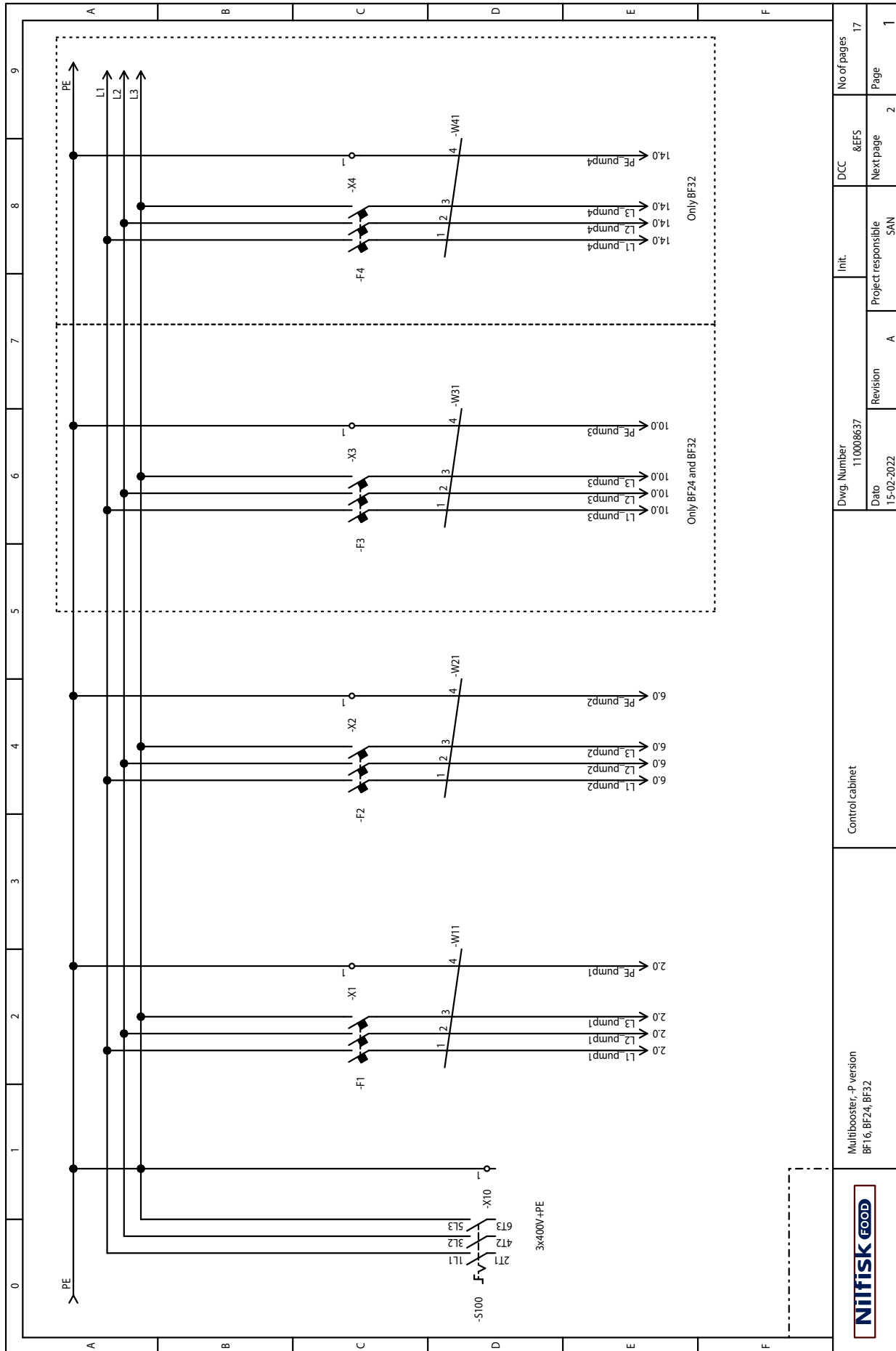
## 8. Spécifications

Données techniques		Booster/Main station.				
		Advanced*	Prof.*			
Eau	Unit.	3 (4 kW)	3 (4 kW)	4 (5.5 kW)	7 (10 kW)**	8 (11 kW)*
Pression sortie max.	bar	25	25	25	22	25
Consommation au rinçage 1)	L/min	90	90	120	210	240
Consommation à l'aspersion de mousse.	L/min	30	30	40	80	80
Pression alimentation min.	bar	2	2	2	2	2
Pression alimentation max.	bar	8	8	8	8	8
Alimentation eau min.	L/min	100	100	135	265	265
Diamètre conduit admission	Pouce	1.1/4"	1.1/4"	1.1/4"	2"	2"
Diamètre conduit sortie	Pouce	1.1/4"	1.1/4"	1.1/4"	2"	2"
<b>Electricité</b>						
Tension alimentation (V Hz)*	V	3/PE 380-528VAC 50/60Hz				
Fréquence	Hz					
Charge moteur (kW)	kW	4	4	5.5	10	10
Installation to EN 60204-1						
Courante nominal	A	10.6	10.6	14.2	27	27
Fusible	A	16	16	20	35	35
L1, L2, L3, PE	mm2	2.5	2.5	2.5	6	6
<b>Généralités</b>						
Niveau sonore ISO 11202	dB	en dessous de 85 dB	-	-	-	-
Dimensions	mm	1070 x 550 x 375	785 x 550 x 375	1074 x 557 x 382	1074 x 557 x 382	990 x 535 x 364
Poids (kg)	kg	85	60	75	75	80

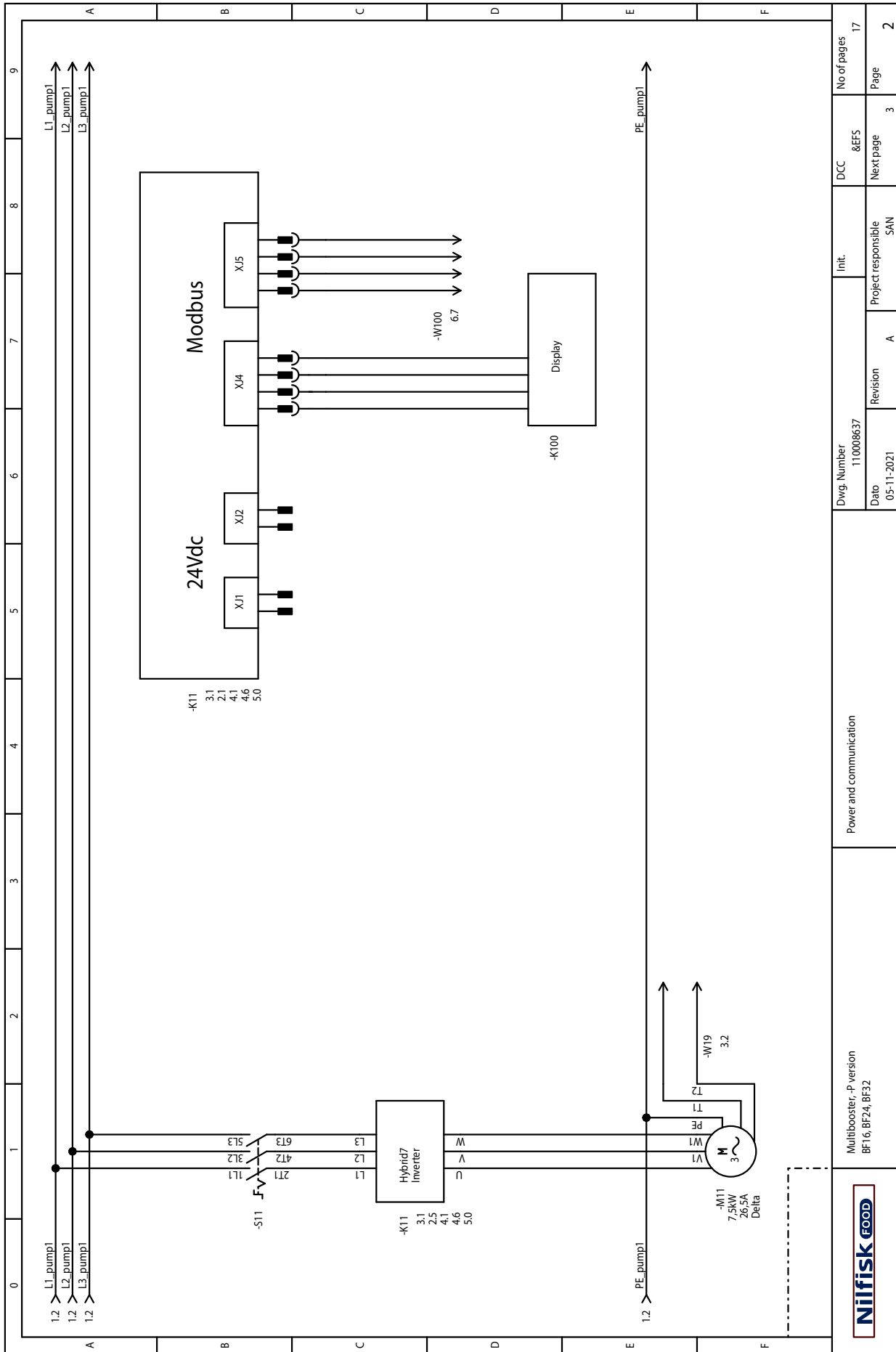
Note:

\*Pompez la barre de la pression 20 + la barre du maximum 25 de pression d'admission

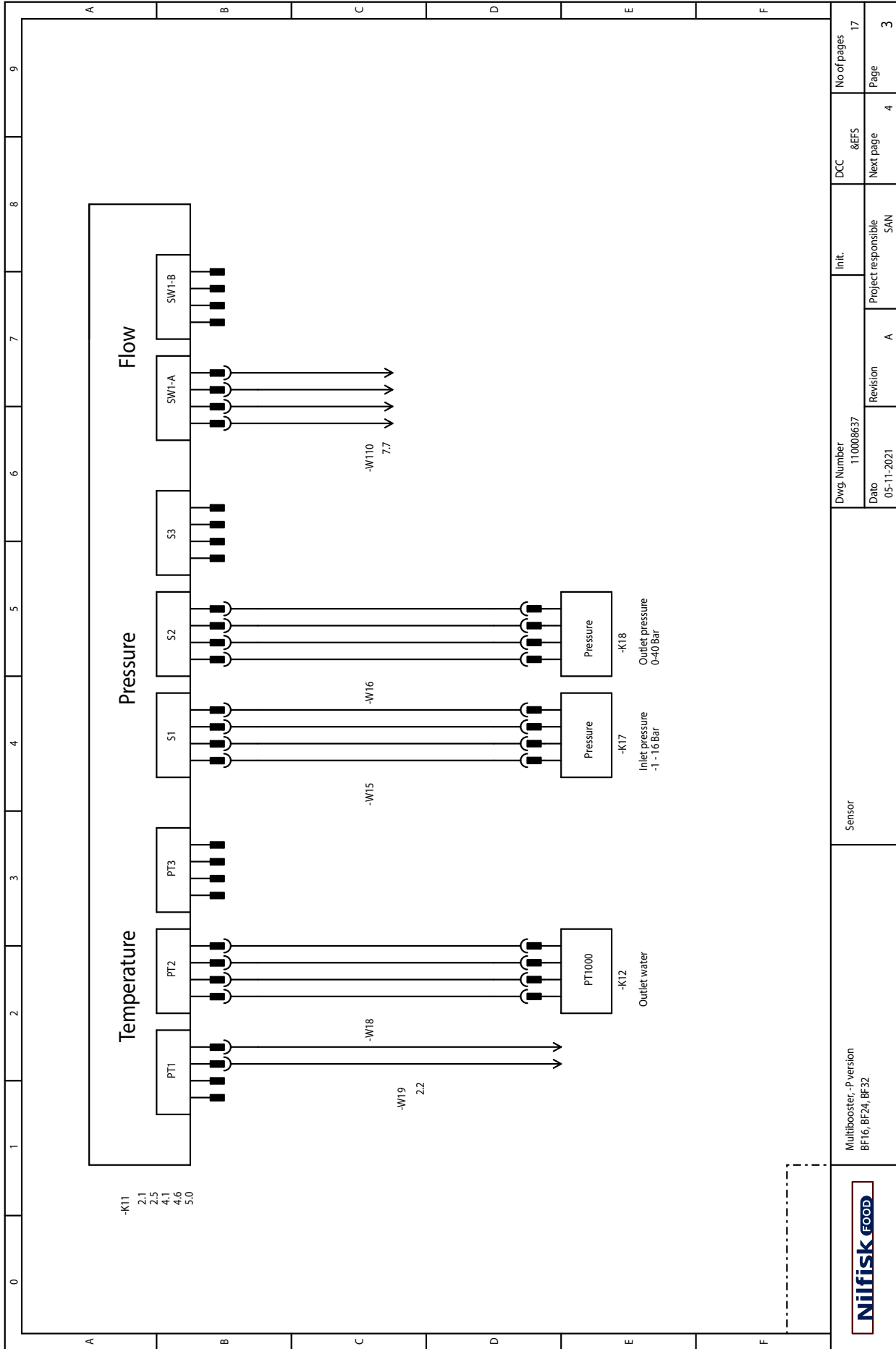
# 9. Diagramme électrique

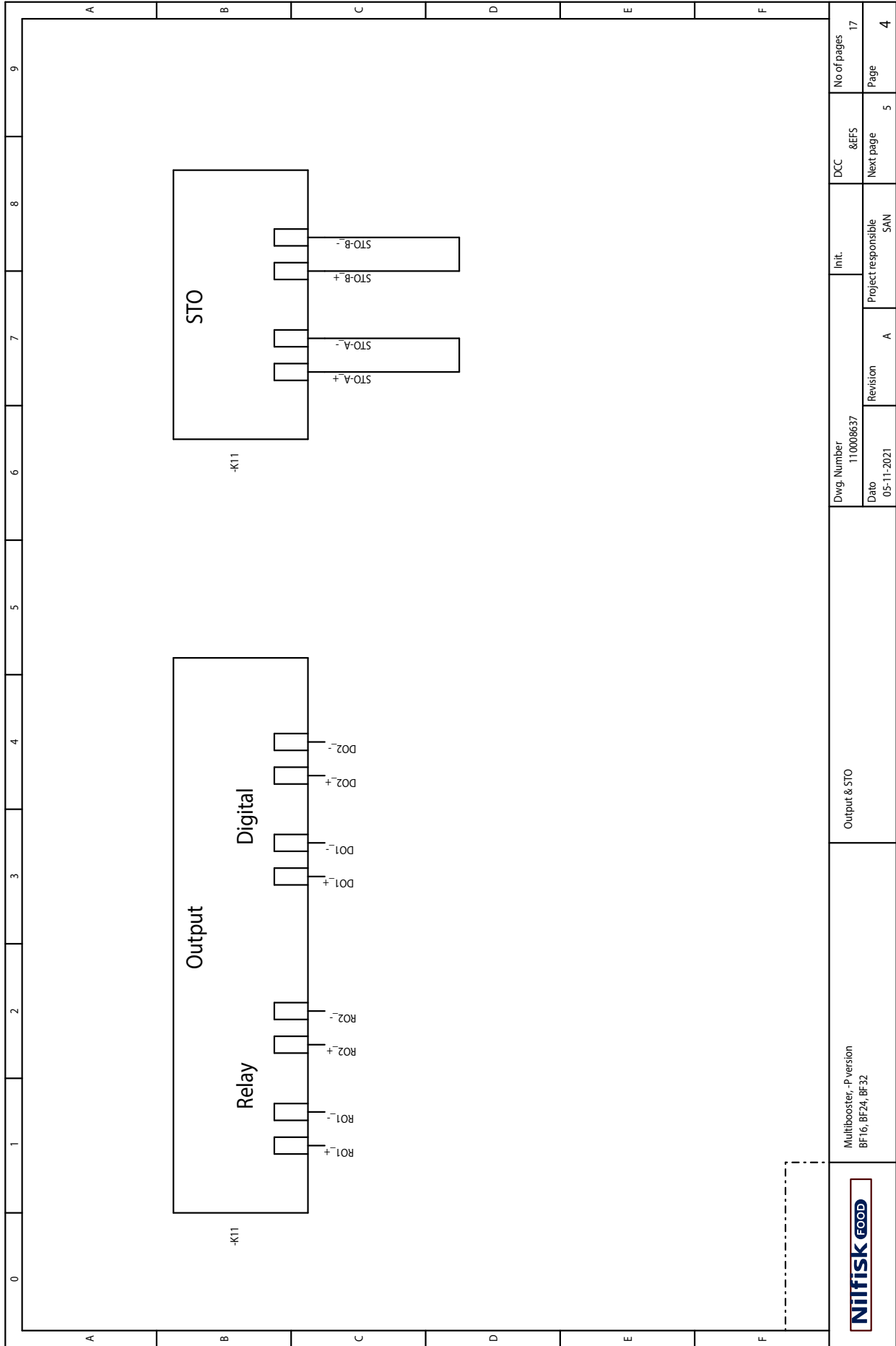






Dwg. Number 110008637		Init.		DCC &EFS		No of pages 17	
Date 05-11-2021		Revision A		Project responsible SAN		Page 3	
Power and communication				Multi booster - P version BF16, BF24, BF32			





Multibooster -P version  
BF16, BF24, BF32

Output & STO

Dwg. Number  
110008637

Date  
05-11-2021

Revision  
A

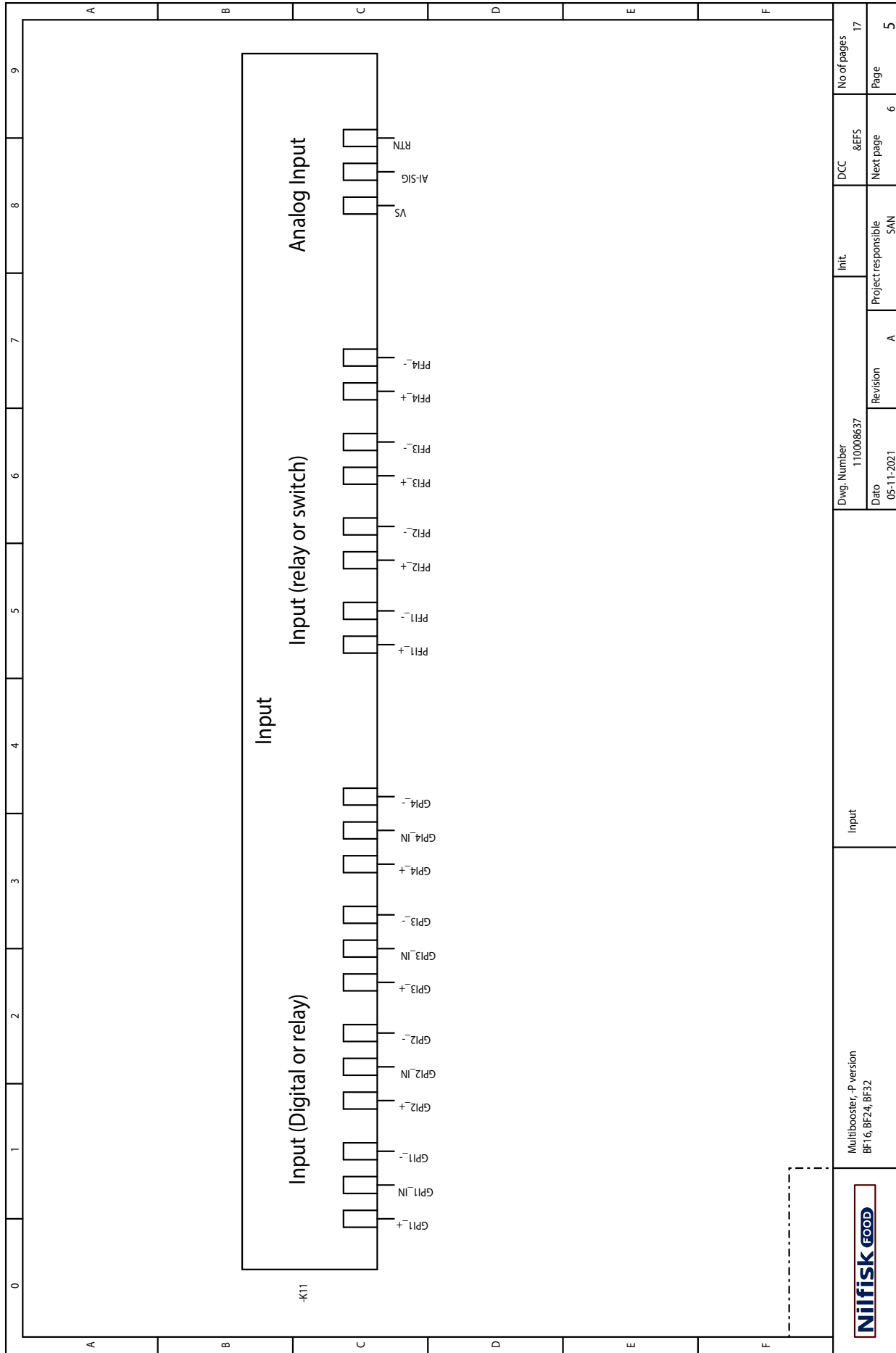
Project responsible  
SAN

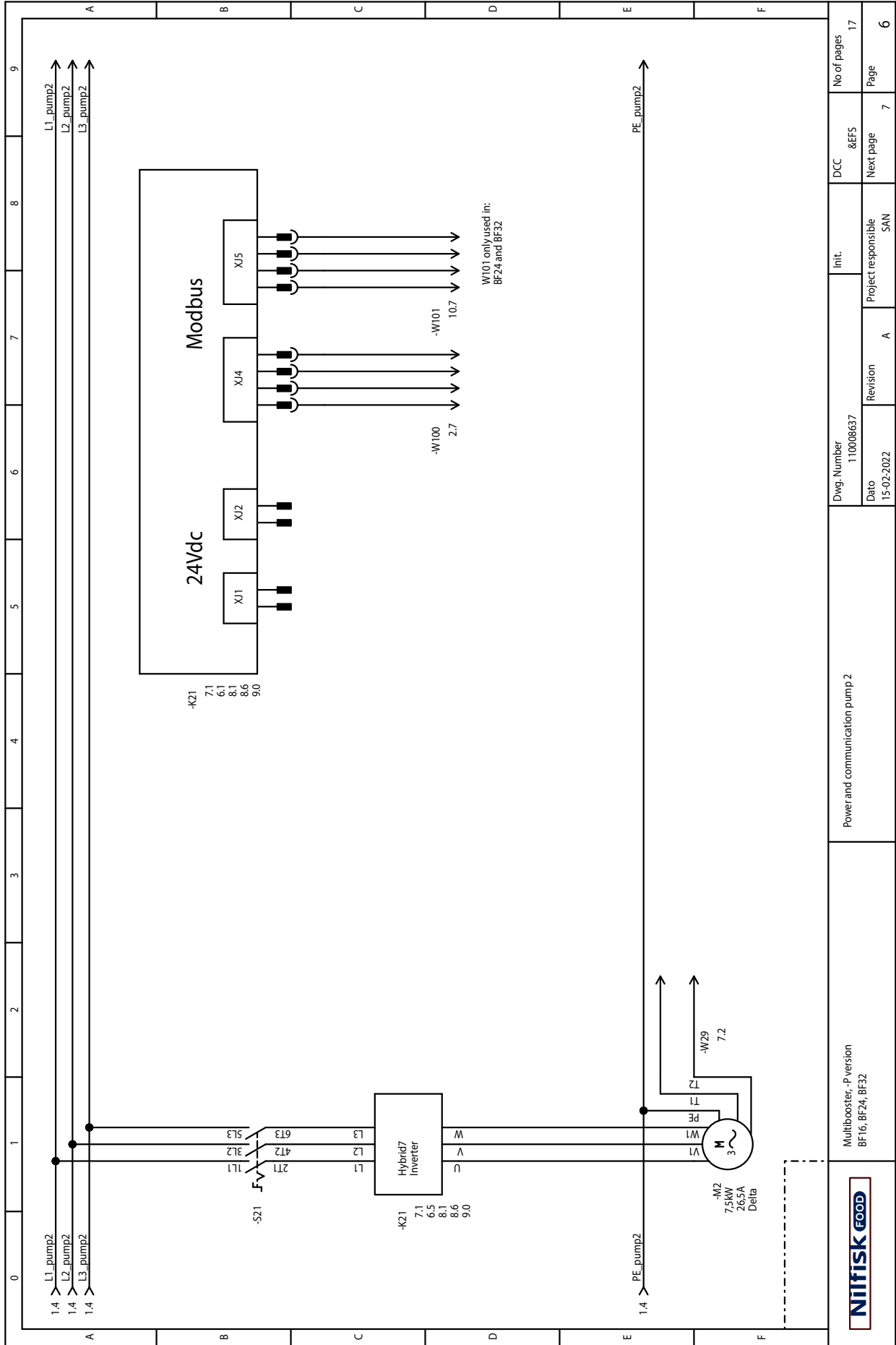
DCC &EFS  
Next page

Page  
5

No of pages  
17

Page  
4

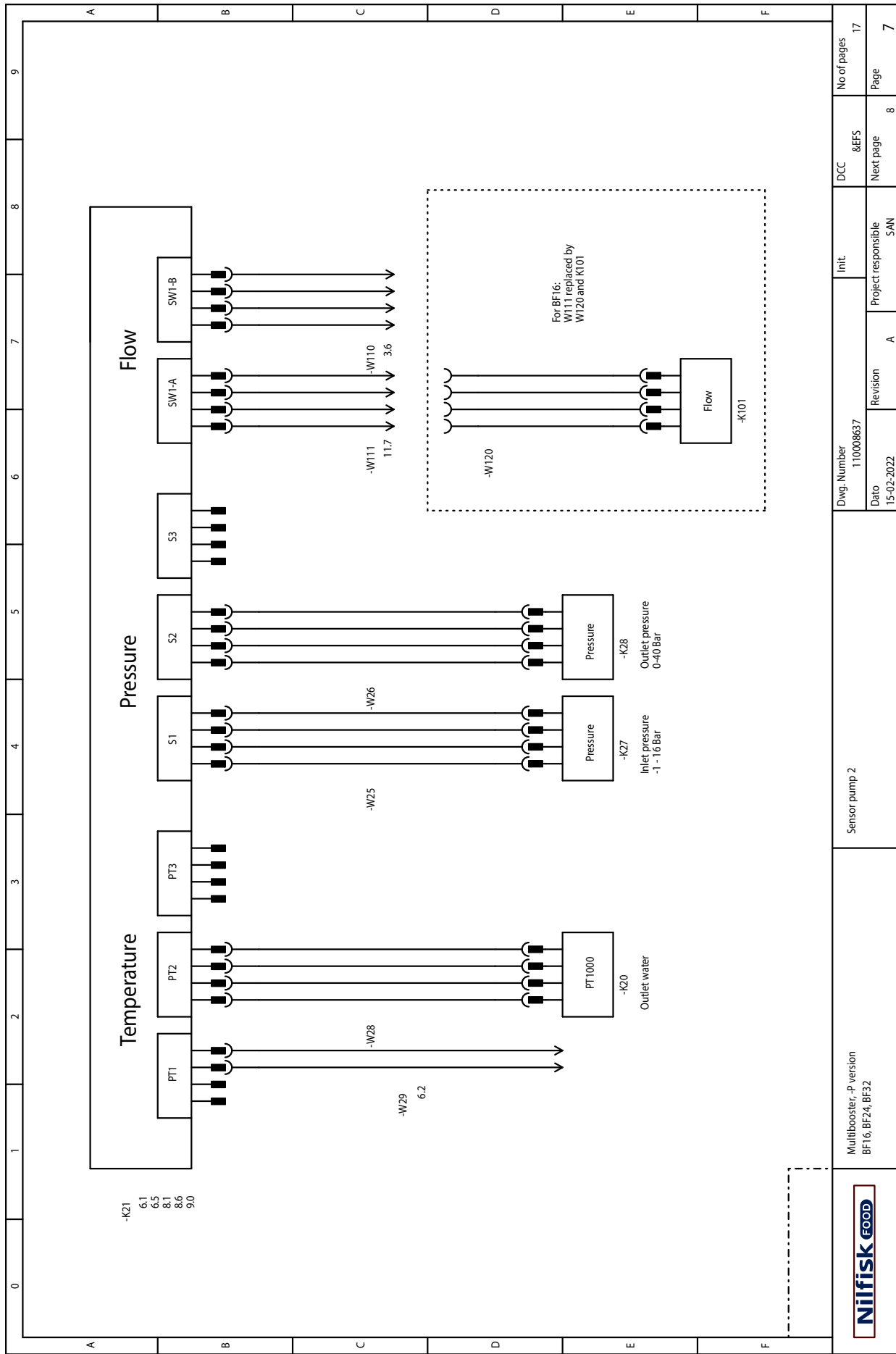




Multibooster-P version  
BF16, BF24, BF32

Power and communication pump 2

Dwg. Number	110008637	Init.	DCC	No of pages
Date	15-02-2022	Revision	&EFS	17
Project responsible			Next page	Page
SAN			7	6



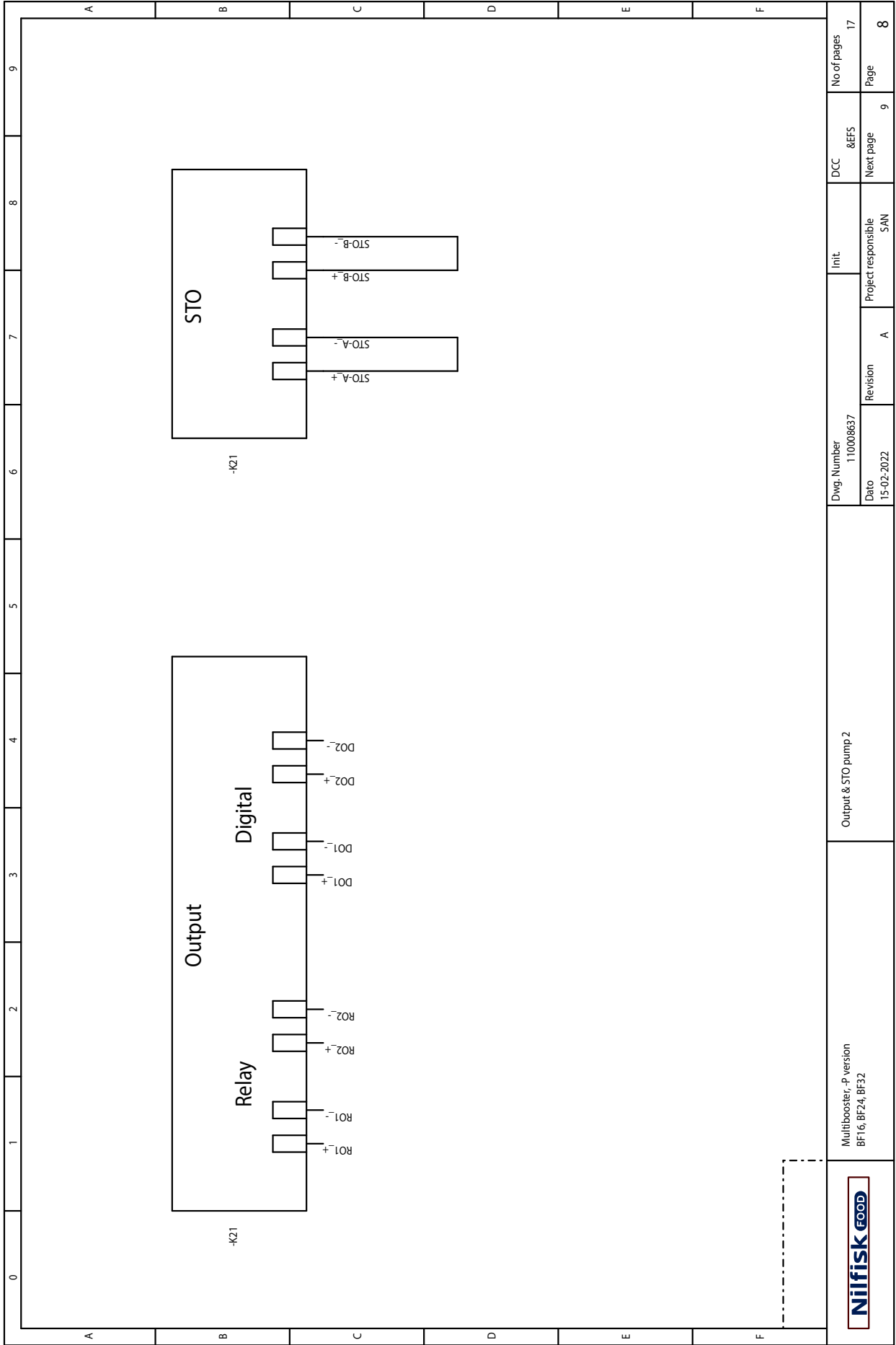
Multibooster, P version  
BF16, BF24, BF32


Sensor pump 2

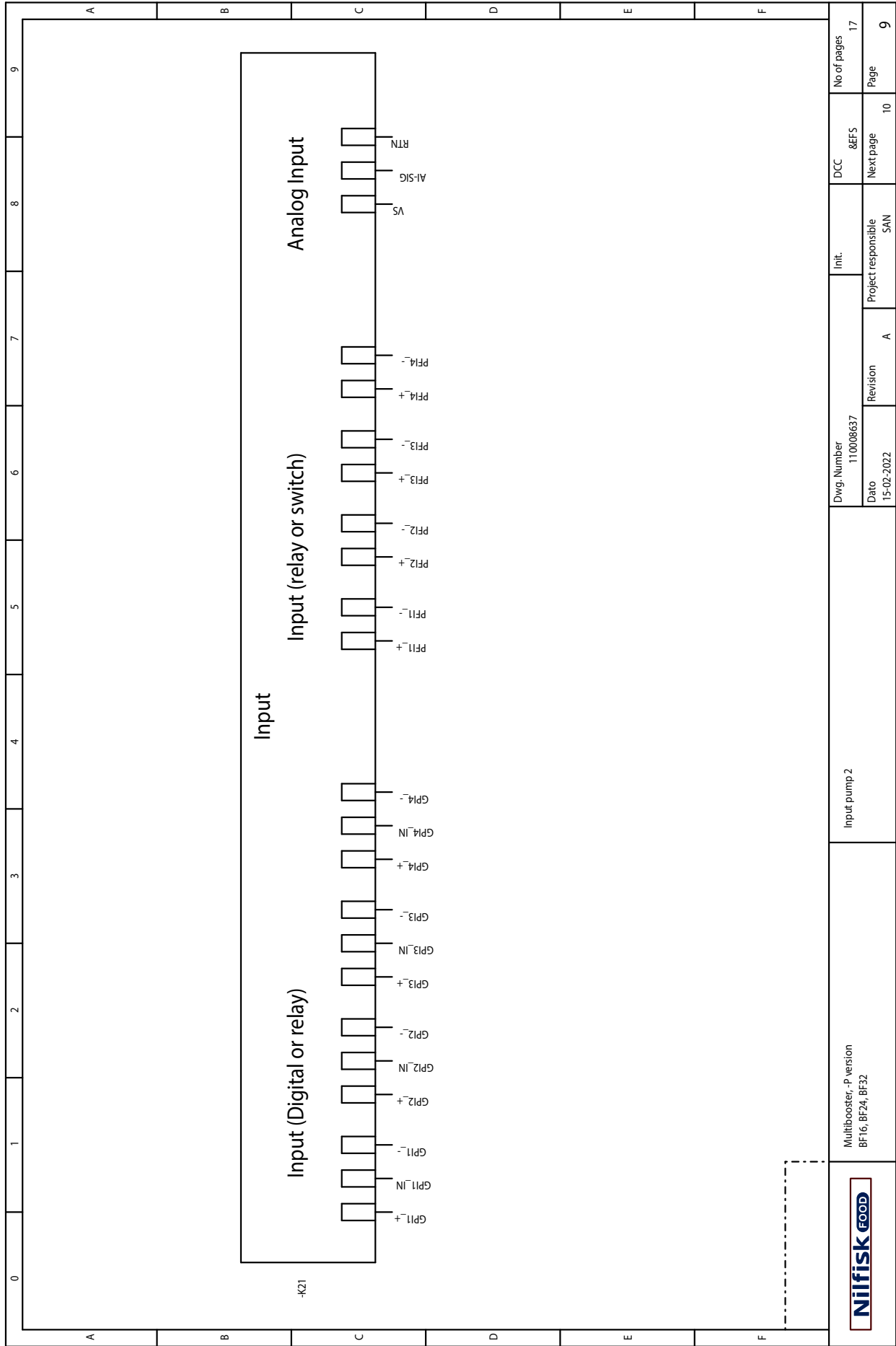
Dwg. Number  
110008637

Date	15-02-2022	Revision	A
Project responsible		SAN	

DCC	8FFS	No of pages	17
Next page		Page	8
Init		Page	7



	Multibooster, P version BF16, BF24, BF32		Output & STO pump 2		Dwg. Number 110008637		DCC &FFS		No of pages 17	
	15-02-2022		Revision A		Project responsible SAN		Next page 9		Page 8	



Multibooster, -P version  
BF16, BF24, BF32

Input pump 2

Dwg. Number  
110008637

Init.  
Project responsible  
SAN

DCC  
&EFS  
Next page  
10

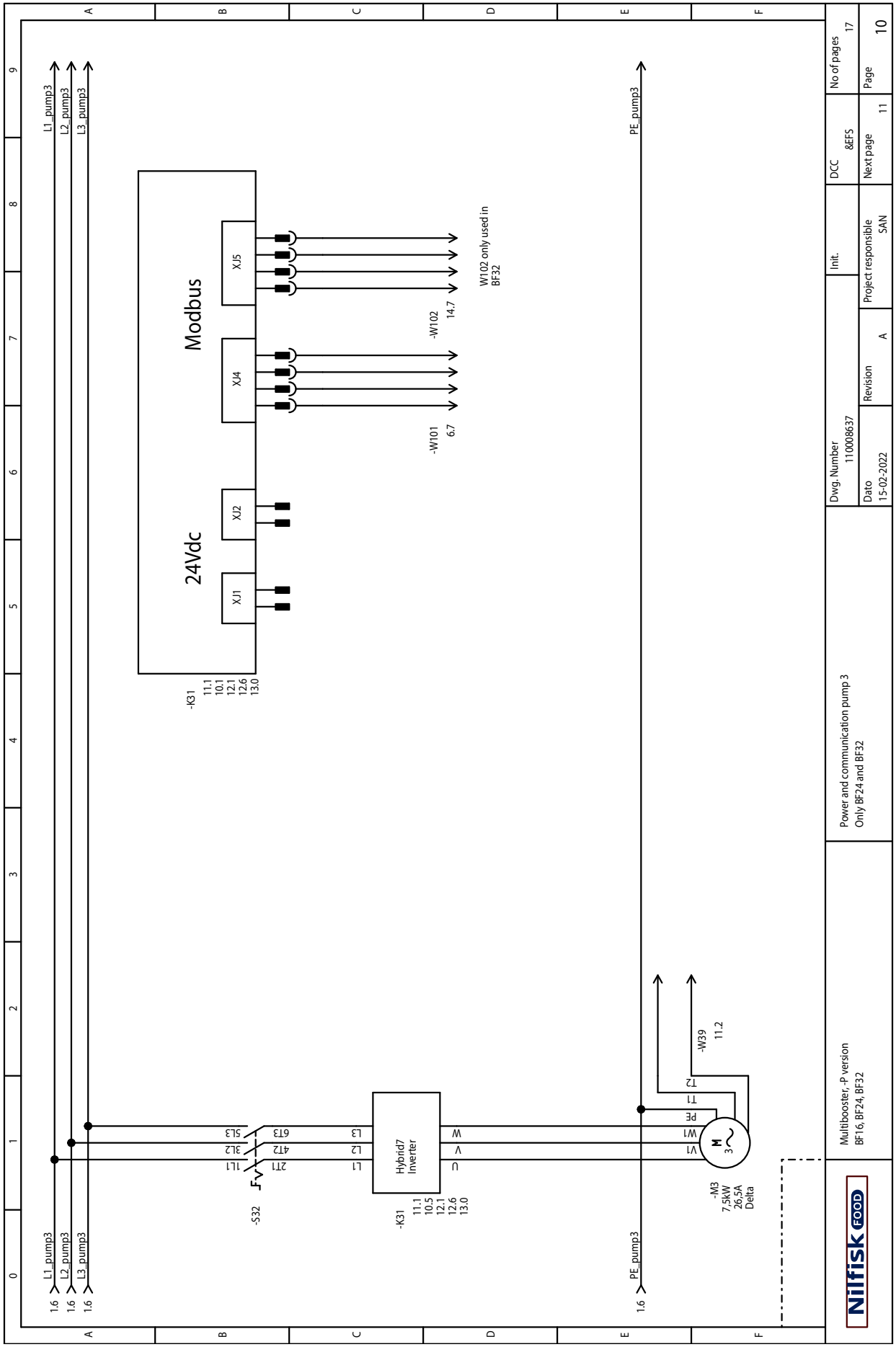
No of pages  
17

Date  
15-02-2022

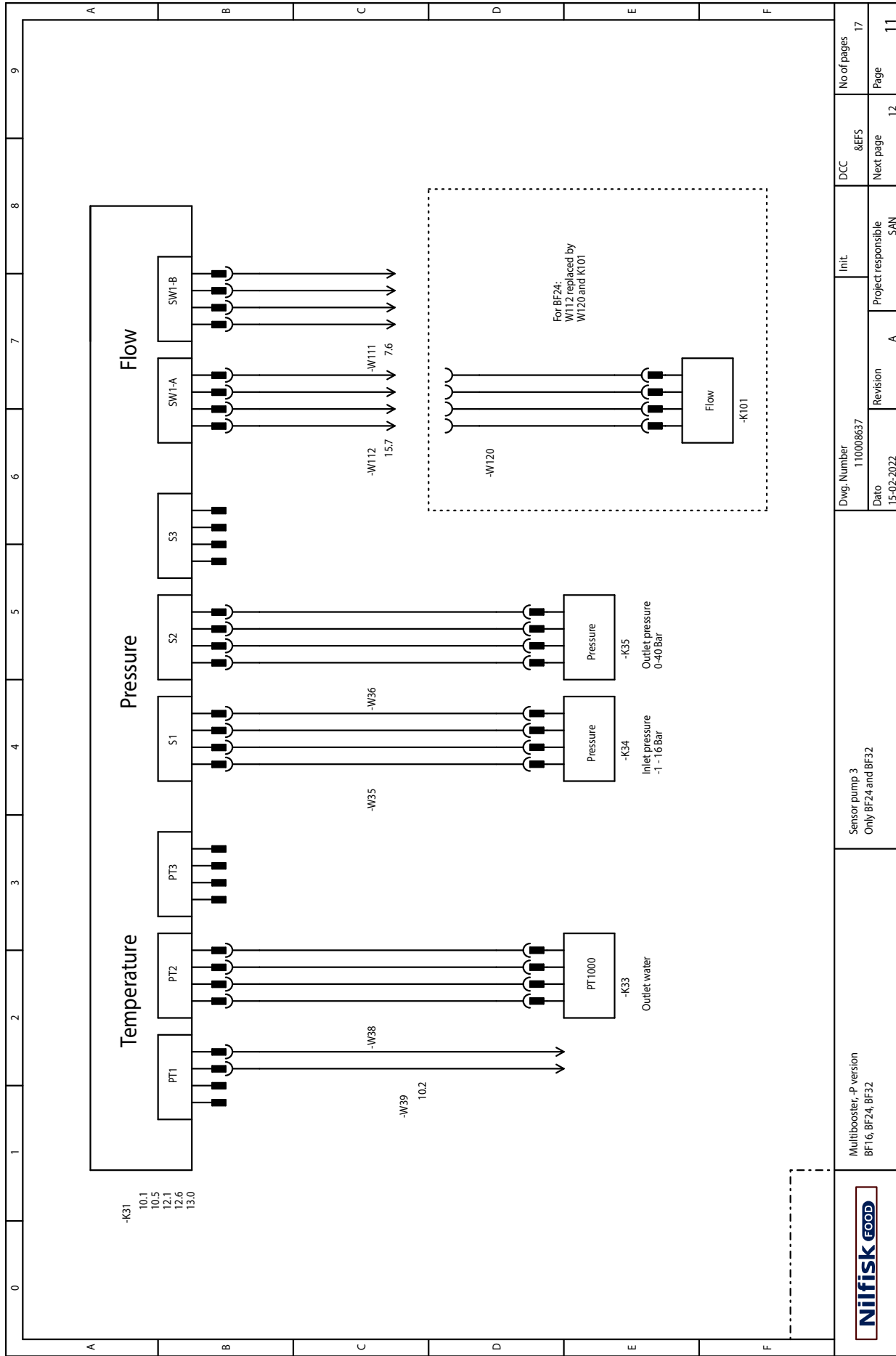
Revision  
A

Page  
9





		Multibooster - P version BF16, BF24, BF32		Power and communication pump 3 Only BF24 and BF32		Dwg. Number 110008637		Init.		DCC &EFS		No of pages 17	
						Date 15-02-2022		Revision A		Project responsible SAN		Next page 11	
												Page 10	



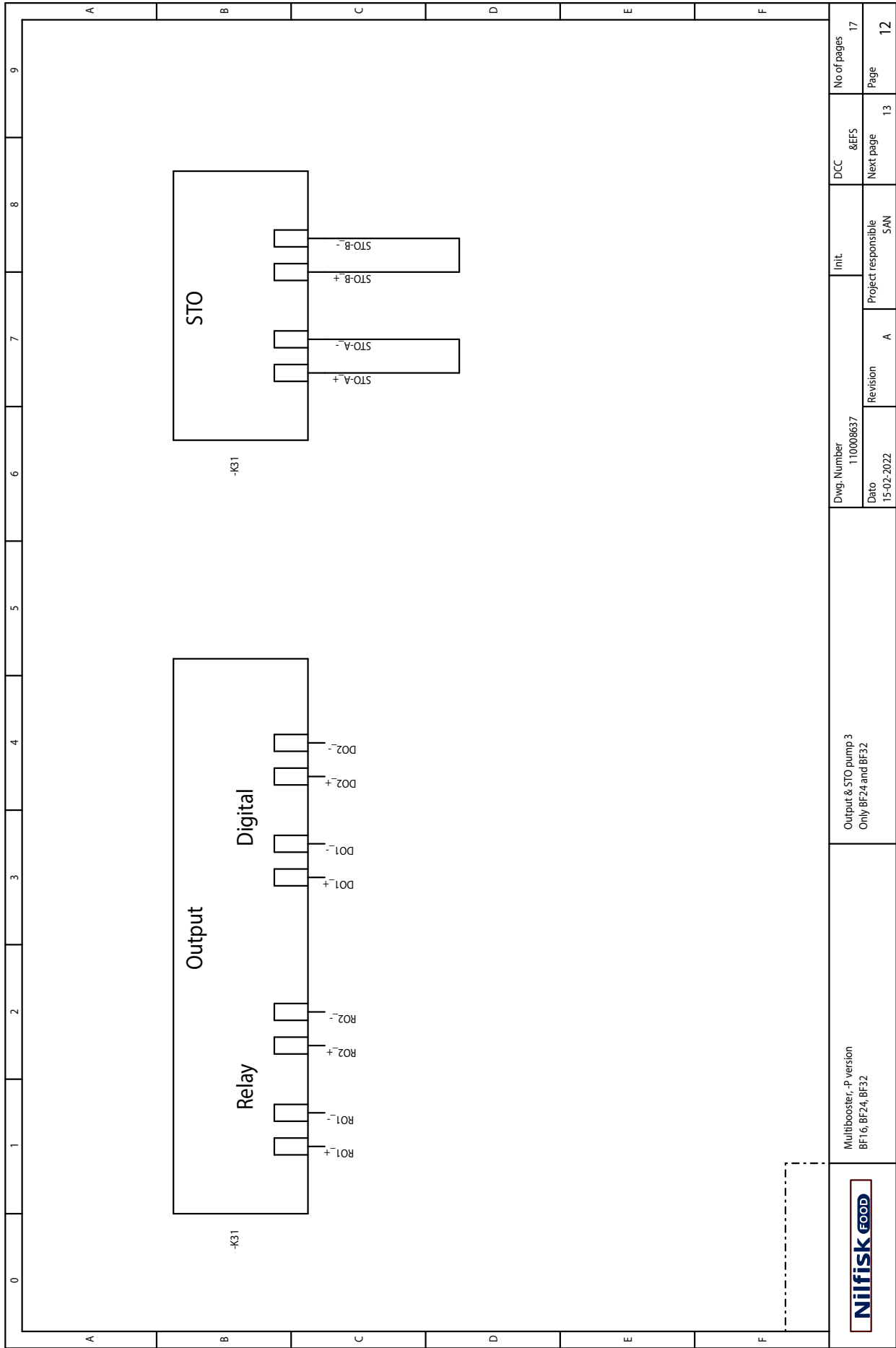
Multi-booster, P version  
BF16, BF24, BF32

Sensor pump 3  
Only BF24 and BF32

Dwg. Number	110008637
Date	15-02-2022

Init	Project responsible	Revision	A
SAN		SAN	

DCC	&EFS	No of pages	17
Next page	12	Page	11



Multibooster, P version  
BF16, BF24, BF32

Output & STO pump 3  
Only BF24 and BF32

Dwg. Number  
110008637

Date  
15-02-2022

Revision  
A

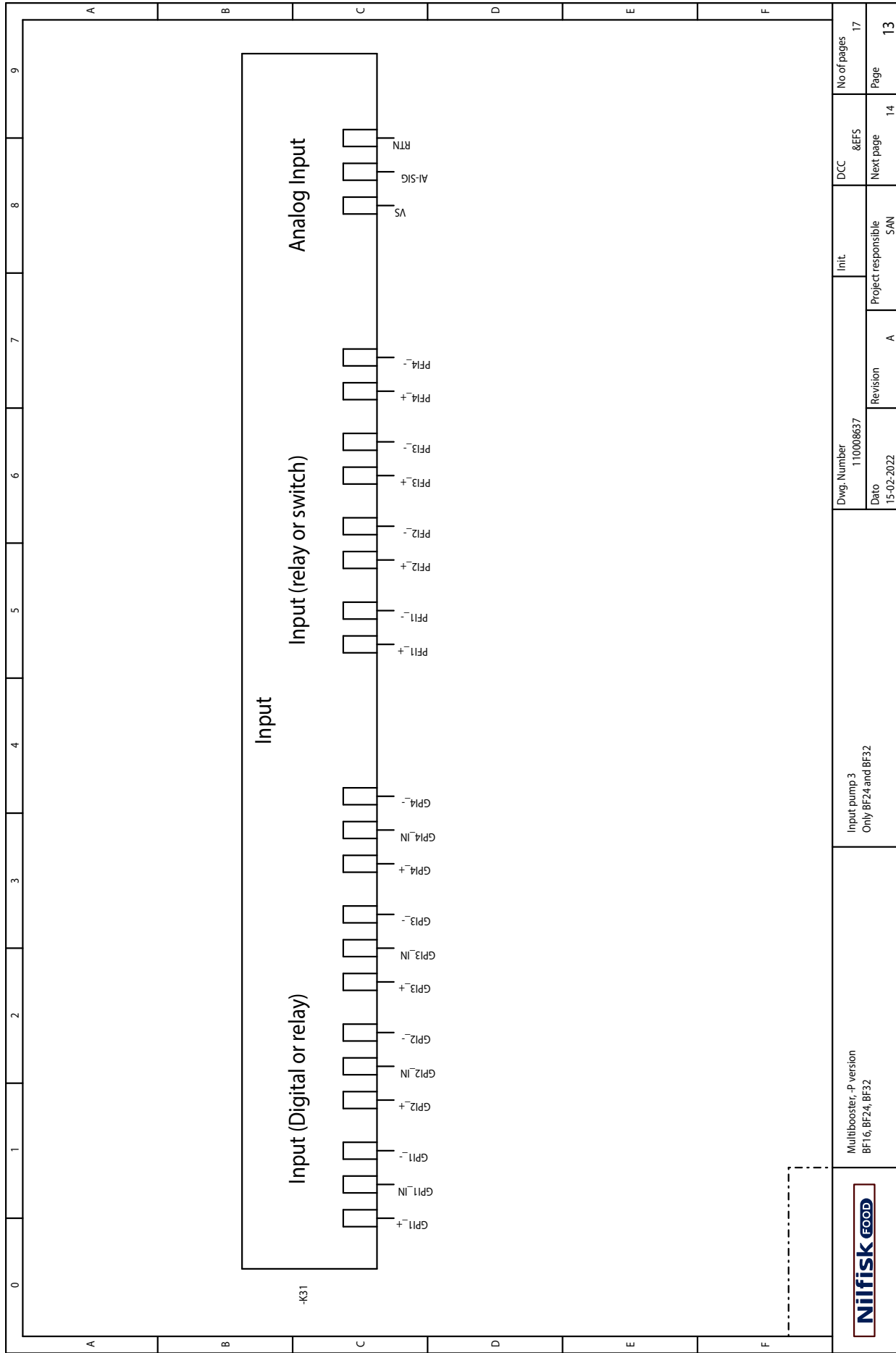
Init.  
Project responsible  
SAN

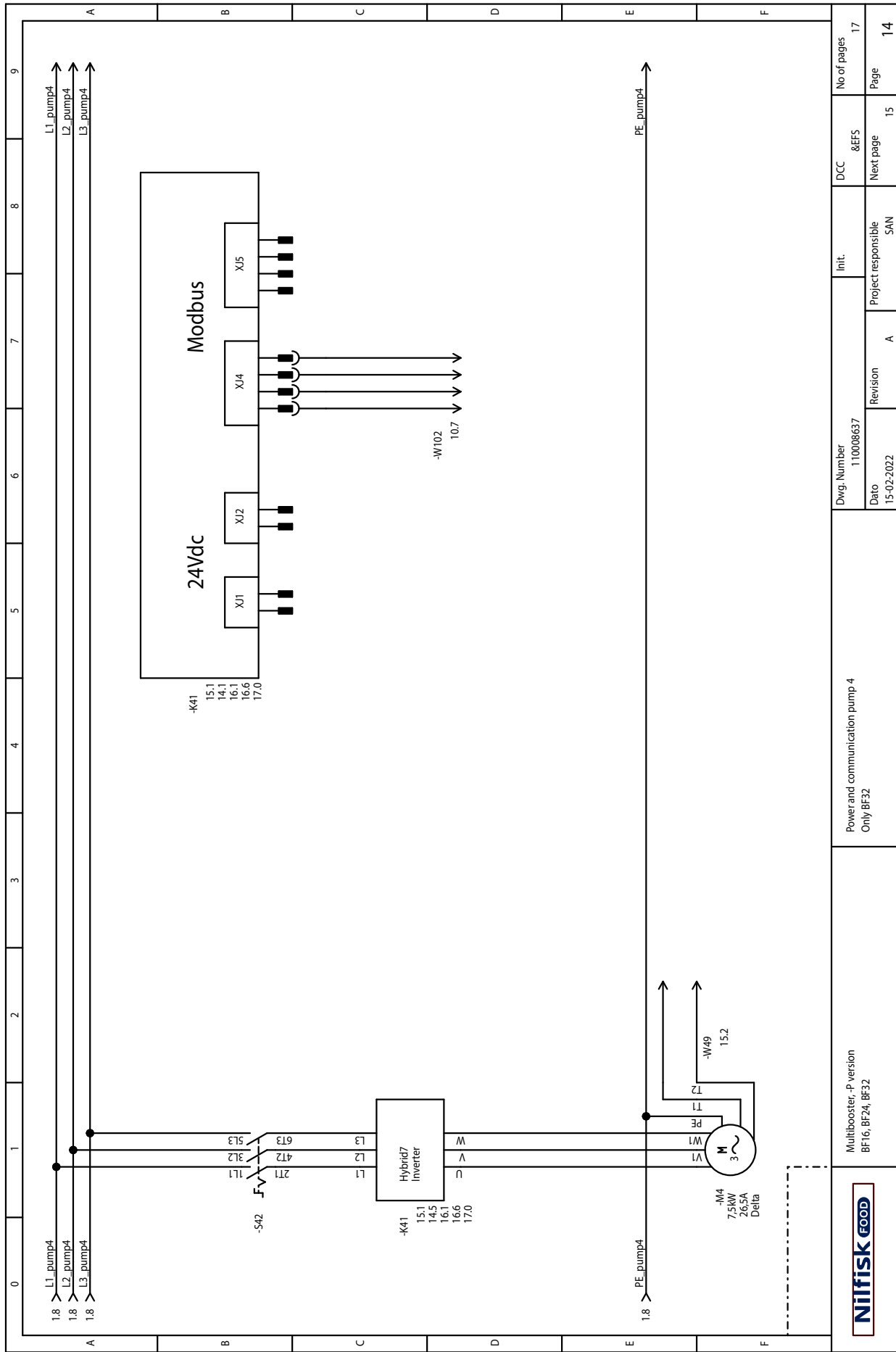
DCC  
&EFS

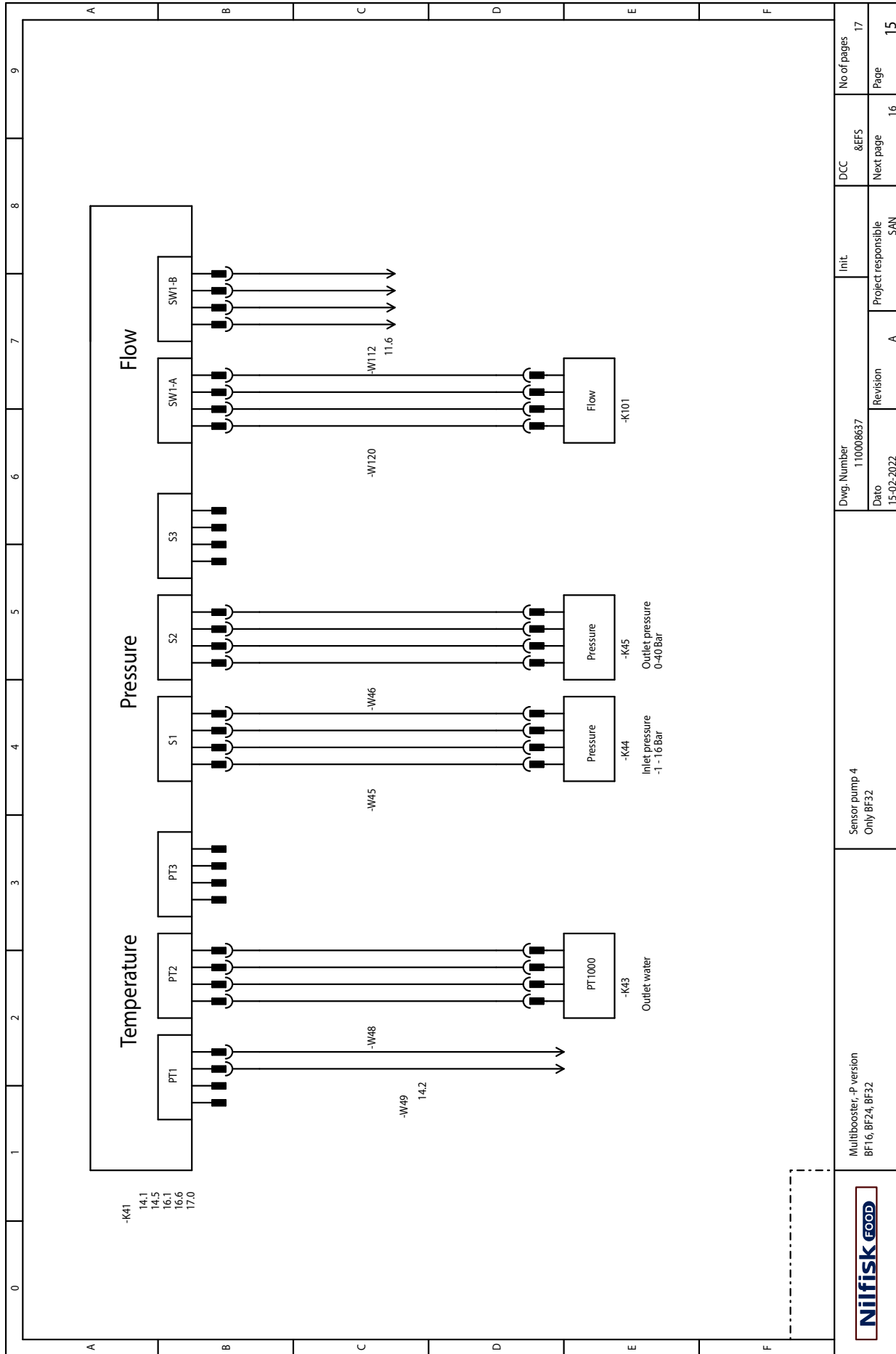
Next page  
13

No of pages  
17

Page  
12







Multi-booster, P version  
BF16, BF24, BF32

Sensor pump 4  
Only BF32

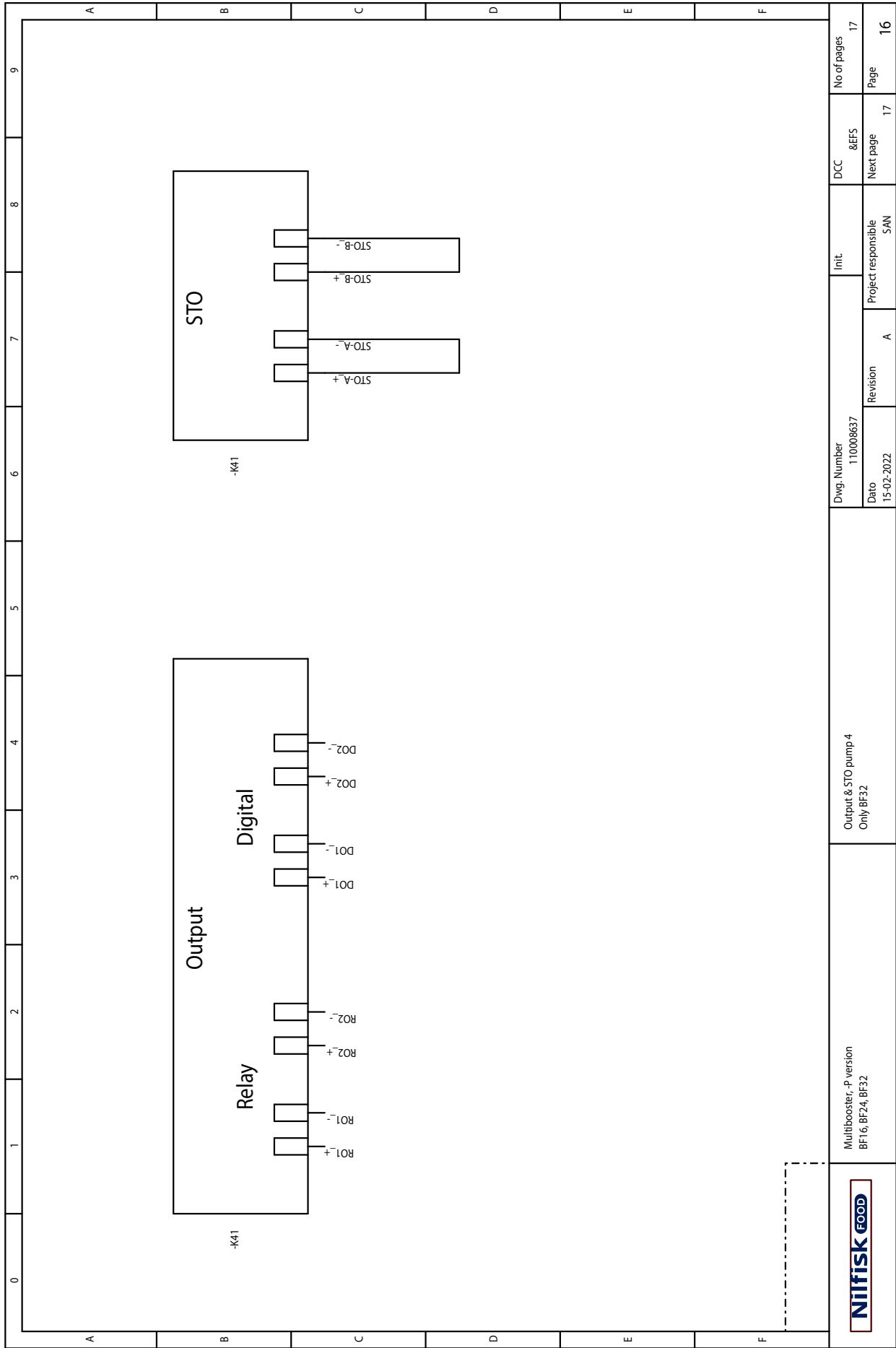
Dwg. Number  
110008637

Init  
Project responsible  
SAN

DCC  
&EFS  
Next page  
16

No of pages  
17

Page  
15



Multibooster, P version  
BF16, BF24, BF32

Output & STO pump 4  
Only BF32

Dwg. Number  
110008637

Date  
15-02-2022

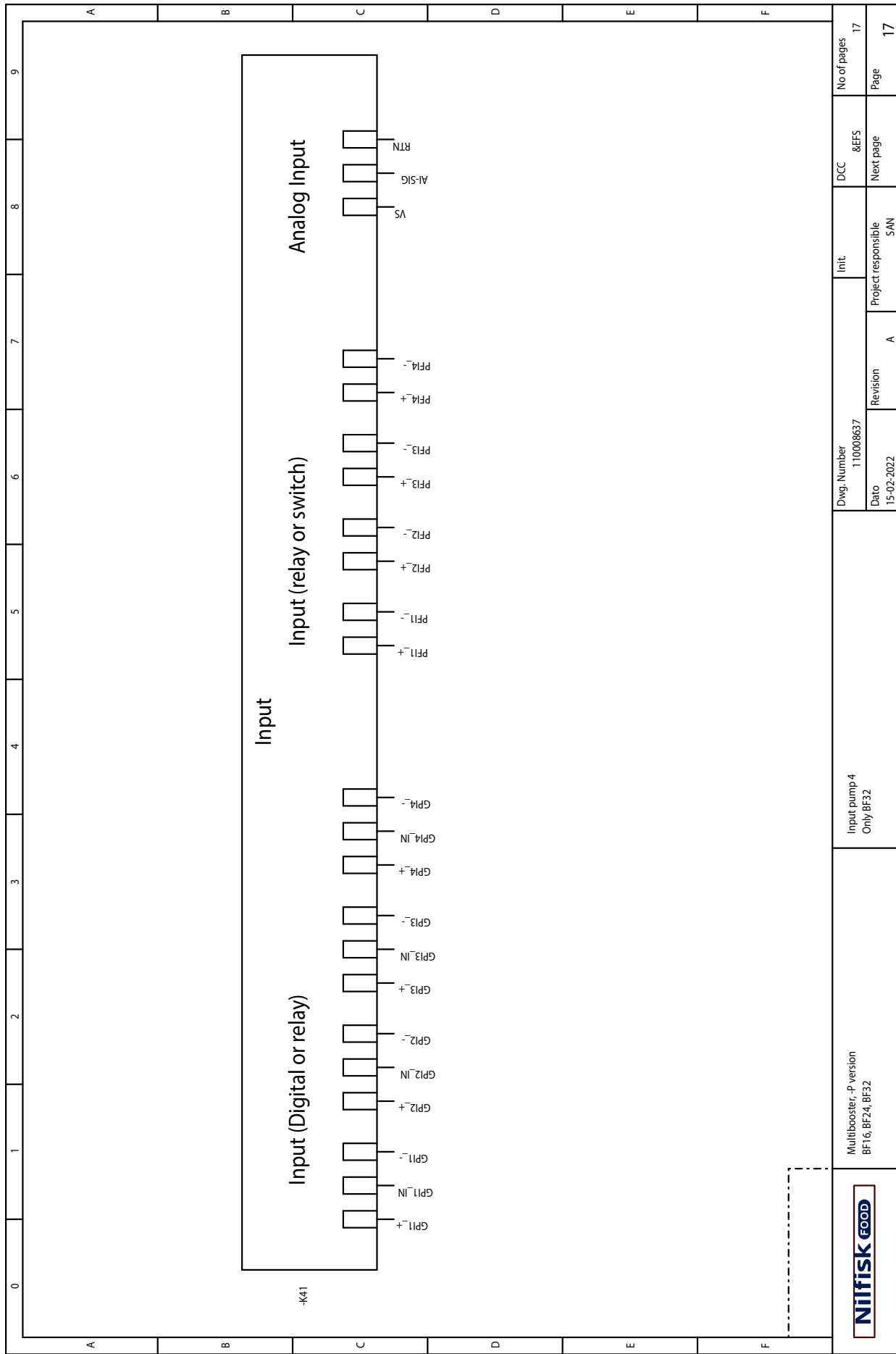
Revision  
A

Project responsible  
SAN

DCC & EFS  
Next page

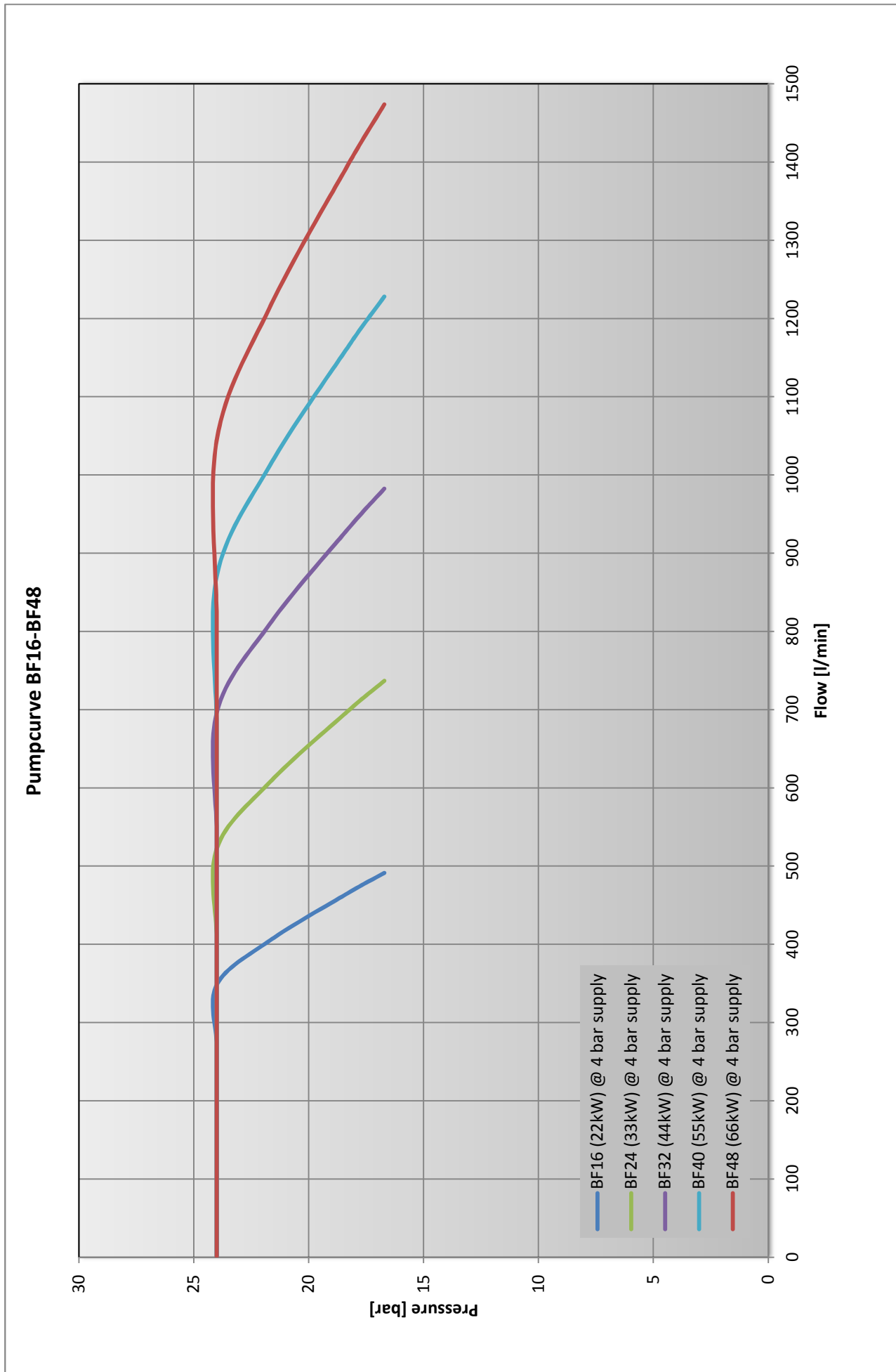
No of pages  
17

Page  
16





## 10. Courbe de pompe



## 11. Déclaration de Conformité

### Hybrid-P, BF16, BF24, BF32, BF40, BF48

**EN** Declaration of Conformity

**DE** Konformitätserklärung

**FR** Déclaration de Conformité

**IT** Dichiarazione di Conformità

**ES** Declaración de Conformidad

**PT** Declaração de Conformidade

**EL** Δήλωση Συμμόρφωσης

**NL** Overeenkomstigheidsverklaring

**SV** Försäkran om överensstämmelse

**FI** Vaatimustenmukaisuusvakuutus

**DA** Overensstemmelseserklæring

**PL** Deklaracja zgodności

**RU** Декларация о соответствии

**HU** Megfelelőségi nyilatkozat

**SL** Izjava o skladnosti

**HR** Izjava o usklađenosti

**SR** Deklaracija o konformitetu

**RO** Declarație de Conformitate

**Nilfisk FOOD**  
**Blytækkervej 2**  
**9000 Aalborg**  
**Danmark**

**EN Declaration of Conformity**

We Nilfisk FOOD, declare under our sole responsibility that the products Hybrid-P BF16+, BF24+, BF32+, BF40+, BF48+, to which this declaration relates, are in conformity with these Council directives on the approximation of the laws of the EC member states:

Function: Pumping Station  
Model/Type: Hybrid-P BF16-2+, BF24-3+, BF32-4+, BF40-5+, BF48-6+.  
Serial number: All

Machinery Directive (2006/42/EC:2006-05-17).  
Standard used: EN 60335-2-41/A2:2010

EMC Directive (2004/108/EC:2004-12-15).  
Standard used: EN 55014-1/A1: 2021 and EN 55014-2/A2:2008  
Standard used: EN 61000-3-2/A2:2009 and EN 61000-3-3:2008

**FR Déclaration de conformité**

Nous, Nilfisk FOOD, déclarons sous notre propre responsabilité que les produits Hybrid-P BF16+, BF24+, BF32+, BF40+, BF48+, auxquels se réfère cette déclaration, sont conformes à ces directives du Conseil sur le rapprochement des législations des États membres :

Fonction : Station de pompage  
Modèle/Type :  
Hybrid-P BF16-2+, BF24-3+, BF32-4+, BF40-5+, BF48-6+.  
Numéro de série : Tous

Directive 2006/42/CE du 17 mai 2006 relative aux machines  
Normes appliquées : EN 60335-2-41/A2:2010

Directive CEM (2004/108/CE:2004-12-15).  
Normes appliquées : EN 55014-1/A1: 2021 et EN 55014-2/A2:2008  
Normes appliquées : EN 61000-3-2/A2:2009 et EN 61000-3-3:2008

**DE Konformitätserklärung**

Nilfisk FOOD, als alleinverantwortlich, erklären hiermit, dass: Hybrid-P BF16+, BF24+, BF32+, BF40+, BF48+, in Übereinstimmung mit den Richtlinien zur Angleichung der Rechtsvorschriften der Mitgliedstaaten ist:

Funktion: Pumpenstation  
Modell/Typ:  
Hybrid-P BF16-2+, BF24-3+, BF32-4+, BF40-5+, BF48-6+.  
Seriennummer: Alle

Maschinendirektive (2006/42/EC:2006-05-17).  
Standards: EN 60335-2-41/A2:2010

EMC Direktive (2004/108/EC:2004-12-15).  
Standards: EN 55014-1/A1: 2021 og EN 55014-2/A2:2008  
Standards: EN 61000-3-2/A2:2009 og EN 61000-3-3:2008

**IT Dichiarazione di conformità**

Nilfisk FOOD dichiara sotto la sua esclusiva responsabilità che i prodotti Hybrid-P BF16+, BF24+, BF32+, BF40+, BF48+, ai quali fa riferimento la presente dichiarazione, sono conformi alle direttive del Consiglio concernenti il riavvicinamento delle legislazioni degli stati membri della UE:

Funzione: Stazione di pompaggio  
Modello/Tipo: Hybrid-P BF16-2+, BF24-3+, BF32-4+, BF40-5+, BF48-6+.  
Numero di serie: Tutti

Direttiva Macchine (2006/42/CE:2006-05-17).  
Standard utilizzato: EN 60335-2-41/A2:2010

Direttiva EMC (2004/108/CE:15.12.04).  
Standard utilizzato: EN 55014-1/A1: 2021 ed EN 55014-2/A2:2008  
Standard utilizzato: EN 61000-3-2/A2:2009 ed EN 61000-3-3:2008

## **ES** Declaración de Conformidad

Nosotros, Nilfisk FOOD, declaramos bajo nuestra única responsabilidad que los productos Hybrid-P BF16+, BF24+, BF32+, BF40+, BF48+, a los que se refiere esta declaración cumplen con las directivas de este Consejo sobre la legislación de los estados miembros de la CE:

Función: Estación de bombeo

Modelo/tipo:

Hybrid-P BF16-2+, BF24-3+, BF32-4+, BF40-5+, BF48-6+.

Número de serie: All

Directiva sobre máquinas (2006/42/EC:2006-05-17).

Normativa usada: EN 60335-2-41/A2:2010

Directiva CEM (2004/108/EC:15.12.04).

Normativa usada: EN 55014-1/A1: 2021 y EN 55014-2/A2:2008

Normativa usada: EN 61000-3-2/A2:2009 y EN 61000-3-3:2008

## **PT** Declaração de Conformidade

A Nilfisk FOOD declara, por sua exclusiva responsabilidade que os produtos Hybrid-P BF16+, BF24+, BF32+, BF40+, BF48+, referidos nesta declaração, se encontram em conformidade com estas diretivas do Conselho relativas à aproximação das disposições legislativas dos Estados-Membros da CE:

Função: Estação de bombagem

Modelo/Tipo: Hybrid-P BF16-2+, BF24-3+, BF32-4+, BF40-5+, BF48-6+.

Número de série: Todos

Diretiva relativa às máquinas (2006/42/CE:2006-05-17).

Norma utilizada: EN 60335-2-41/A2:2010

Diretiva CEM (2004/108/CE:2004-12-15).

Norma utilizada: EN 55014-1/A1: 2021 e EN 55014-2/A2:2008

Norma utilizada: EN 61000-3-2/A2:2009 e EN 61000-3-3:2008

## **EL** Δήλωση Συμμόρφωσης

Εμείς η Nilfisk FOOD, δηλώνουμε υπό την αποκλειστική μας ευθύνη ότι τα προϊόντα Hybrid-P BF16+, BF24+, BF32+, BF40+, BF48+, Με τον οποίο σχετίζεται αυτή η δήλωση, συμμορφώνονται με τις παρακάτω οδηγίες του συμβουλίου σχετικά με την προσέγγιση των νόμων των κρατών μελών της ΕΚ:

Λειτουργία: Σταθμός άντλησης

Μοντέλο/Τύπος:

Hybrid-P BF16-2+, BF24-3+, BF32-4+, BF40-5+, BF48-6+.

Αριθμός σειράς: Όλοι

Οδηγία περί μηχανημάτων (2006/42/EC:2006-05-17).

Χρησιμοποιούμενο πρότυπο: EN 60335-2-41/A2:2010

Οδηγία ΗΜΣ (2004/108/EC:15.12.04).

Χρησιμοποιούμενο πρότυπο: EN 55014-1/A1: 2021 και EN 55014-2/A2:2008

Χρησιμοποιούμενο πρότυπο: EN 61000-3-2/A2:2009 και EN 61000-3-3:2008

## **NL** Overeenkomstigheidsverklaring

Wij, Nilfisk FOOD, verklaren geheel onder eigen verantwoordelijkheid dat de producten Hybrid-P BF16+, BF24+, BF32+, BF40+, BF48+, waarop deze verklaring betrekking heeft, in overeenstemming zijn met de volgende Richtlijnen van de Raad betreffende de onderlinge aanpassing van de wetgevingen van de EG-lidstaten:

Functie: Pompinstallatie

Model/Type: Hybrid-P BF16-2+, BF24-3+, BF32-4+, BF40-5+, BF48-6+.

Serienummer: Alle

Machinerichtlijn (2006/42/EG:17-05-2006).

Toegepaste norm: EN 60335-2-41/A2:2010

EMC-richtlijn (2004/108/EG:15-12-2004).

Toegepaste norm: EN 55014-1/A1: 2021 en EN 55014-2/A2:2008

Toegepaste norm: EN 61000-3-2/A2:2009 en EN 61000-3-3:2008

## **SV** Försäkran om överensstämmelse

Vi Nilfisk FOOD, tillkännager, under eget ansvar, att produkterna Hybrid-P BF16+, BF24+, BF32+, BF40+, BF48+, som omfattas av denna försäkran, är i överensstämmelse med rådets direktiv om tillnärmning av medlemsstaternas lagstiftning i EG:

Funktion: Pumpstation

Modell/typ:

Hybrid-P BF16-2+, BF24-3+, BF32-4+, BF40-5+, BF48-6+.

Serienummer: Alla

Maskindirektiv (2006/42/EC:2006-05-17).

Standard som används: EN 60335-2-41/A2:2010

EMC-direktivet (2004/108/EG :2004-12-15).

Standard som används: EN 55014-1/A1: 2021 och EN 55014-2/A2:2008

Standard som används: EN 61000-3-2/A2:2009 och EN 61000-3-3:2008

## **FI** Vaatimustenmukaisuusvakuutus

Me Nilfisk FOOD vakuutamme yksinomaisella vastuulla, että tuotteet Hybrid-P BF16+, BF24+, BF32+, BF40+, BF48+, jota tämä vakuutus koskee, noudattavat direktiivejä, jotka käsittelevät EY:n jäsenvaltioiden lakien yhdenmukaisuutta koskien seuraavia:

Toiminto: Pumpuasema

Malli/tyyppi: Hybrid-P BF16-2+, BF24-3+, BF32-4+, BF40-5+, BF48-6+.

Sarjanumero: Kaikki

Konedirektiivi (2006/42/EY:2006-05-17).

Käytetty standardi: EN 60335-2-41/A2:2010

EMC-direktiivi (2004/108/EY:2004-12-15).

Käytetty standardi: EN 55014-1/A1: 2021 ja EN 55014-2/A2:2008

Käytetty standardi: EN 61000-3-2/A2:2009 ja EN 61000-3-3:2008

## **DA** Overensstemmelseserklæring

Nilfisk FOOD, erklærer under eneansvar, at produktet: Hybrid-P BF16+, BF24+, BF32+, BF40+, BF48+, som denne erklæring vedrører, er i overensstemmelse med følgende direktiver om tilnærmelse af EU medlemslandenes love:

Function: Pumping Station

Model/Type:

Hybrid-P BF16-2+, BF24-3+, BF32-4+, BF40-5+, BF48-6+.

Serial number: All

Machinery Directive (2006/42/EC:2006-05-17).

Standard used: EN 60335-2-41/A2:2010

EMC Directive (2004/108/EC:2004-12-15).

Standard used: EN 55014-1/A1: 2021 and EN 55014-2/A2:2008

Standard used: EN 61000-3-2/A2:2009 and EN 61000-3-3:2008

## **RU** Декларация о соответствии

Мы, Nilfisk FOOD, принимая на себя всю ответственность, заявляем, что продукты Усовершенствованная Hybrid-P BF16+, BF24+, BF32+, BF40+, BF48+, которых касается настоящая декларация, соответствуют данным директивам Совета о приблизительном соответствии законам стран-членов СЕ:

Функциональное назначение: Насосная станция

Модель/Тип:

Hybrid-P BF16-2+, BF24-3+, BF32-4+, BF40-5+, BF48-6+.

Серийный номер: все

Директива машин (2006/42/EC:17-05-2006).

Используемый стандарт: EN 60335-2-41/A2:2010

Директива ЭМС (2004/108/EC:15-12-2004).

Используемый стандарт: EN 55014-1/A1: 2021 и EN 55014-2/A2:2008

Используемый стандарт: EN 61000-3-2/A2:2009 и EN 61000-3-3:2008

## **SL** Izjava o skladnosti

V Nilfisk FOODu s polno odgovornostjo izjavljamo, da so naši izdelki Hybrid-P BF16+, BF24+, BF32+, BF40+, BF48+, na katere se ta izjava nanaša, v skladu z naslednjimi direktivami Sveta o približevanju zakonodaje za izenačevanje pravnih predpisov držav članic ES:

Funkcija: Črpalna postaja

Model/Tip:

Hybrid-P BF16-2+, BF24-3+, BF32-4+, BF40-5+, BF48-6+.

Serijska številka: Vse

Direktiva o strojih (2006/42/EC:2006-05-17).

Uporabljeni standardi: EN 60335-2-41/A2:2010

Direktiva o elektromagnetni združljivosti (2004/108/EC:2004-12-15).

Uporabljeni standardi: EN 55014-1/A1: 2021 and EN 55014-2/A2:2008

Uporabljeni standardi: EN 61000-3-2/A2:2009 and EN 61000-3-3:2008

## **PL** Deklaracja zgodności

Firma Nilfisk ALTO z pełną odpowiedzialnością oświadcza, że produkty Hybrid-P BF16+, BF24+, BF32+, BF40+, BF48+, których dotyczy ta deklaracja, spełniają wymogi poniższych dyrektywa Rady zgodnymi z prawem obowiązującym państwa członkowskie UE:

Funkcja: Stacja pompująca

Model/typ: Hybrid-P BF16-2+, BF24-3+, BF32-4+, BF40-5+, BF48-6+.

Numer seryjny: Wszystkie

Dyrektywa Maszynowa (2006/42/EC:2006-05-17).

Stosowana norma: EN 60335-2-41/A2:2010

Dyrektywa w sprawie kompatybilności elektromagnetycznej (2004/108/EC:15.12.04).

Stosowane normy: EN 55014-1/A1: 2021 i EN 55014-2/A2:2008

Stosowane normy: EN 61000-3-2/A2:2009 i EN 61000-3-3:2008

## **HU** Megfelelőségi nyilatkozat

Mi, a Nilfisk FOOD, kizárólagos felelősségünk tudatában kijelentjük, hogy a Hybrid-P BF16+, BF24+, BF32+, BF40+, BF48+, amelyekre ez a nyilatkozat vonatkozik, megfelelnek az EU tagállamok törvényi rendelkezéseinek közelítéséről szóló tanácsi irányelveknek:

Funkció: Szivattyútelep

Modell/Típus: Hybrid-P BF16-2+, BF24-3+, BF32-4+, BF40-5+, BF48-6+.

Sorozatszám: Összes

Gépekre vonatkozó irányelv (2006/42/EC:2006-05-17).

Alkalmazott szabvány: EN 60335-2-41/A2:2010

EMC irányelv (2004/108/EC:2004-12-15).

Alkalmazott szabvány: EN 55014-1/A1: 2021 és EN 55014-2/A2:2008

Alkalmazott szabvány: EN 61000-3-2/A2:2009 és EN 61000-3-3:2008

## **HR** Izjava o usklađenosti

Mi, Nilfisk FOOD, izjavljujemo pod vlastitom odgovornošću da je proizvod Hybrid-P BF16+, BF24+, BF32+, BF40+, BF48+, na koji se ova izjava odnosi, u skladu s direktivama ovog Vijeća o usklađivanju zakona država članica EU:

Funkcija: Pumpna postaja

Model/vrsta: Hybrid-P BF16-2+, BF24-3+, BF32-4+, BF40-5+, BF48-6+.

Serijski broj: Svi

Izjava o strojevima (2006/42/EC:2006-05-17).

Primijenjena norma: EN 60335-2-41/A2:2010

Izjava o elektromagnetskoj kompatibilnosti (2004/108/EC:2004-12-15).

Primijenjena norma: EN 55014-1/A1: 2021 i EN 55014-2/A2:2008

Primijenjena norma: EN 61000-3-2/A2:2009 i EN 61000-3-3: 2008

## **SR** Deklaracija o konformitetu

Mi, Nilfisk FOOD, izjavljujemo pod vlastitom odgovornošću da je proizvod Hybrid-P BF16+, BF24+, BF32+, BF40+, BF48+, na koji se ova izjava odnosi, u skladu sa direktivama, Saveta za usklađivanje zakona država članica EU:

Funkcija: Stanica za pumpanje

Model/tip:

Hybrid-P BF16-2+, BF24-3+, BF32-4+, BF40-5+, BF48-6+.

serijski broj: Kompletna

direktiva o mašinama (2006/42/EC:2006-05-17).

Primenjen standard: EN 60335-2-41/A2:2010

EMC direktiva (2004/108/EC:2004-12-15).

Primenjen standard: EN 55014-1/A1: 2021 i EN 55014-2/A2:2008

Primenjen standard: EN 61000-3-2/A2:2009 i EN 61000-3-3:2008

## **RO** Declarație de Conformitate

Noi, Nilfisk FOOD, declarăm pe propria răspundere că produsele Hybrid-P BF16+, BF24+, BF32+, BF40+, BF48+, la care se referă această declarație, sunt în conformitate cu aceste Directive de Consiliu asupra armonizării legilor Statelor Membre CE:

Funcție: Stație de igienizare și de pompare

Model/Tip: Hybrid-P BF16-2+, BF24-3+, BF32-4+, BF40-5+, BF48-6+.

Număr de serie: toate

Directiva Mașini (2006/42/EC:2006-05-17).

Standarde utilizate: EN 60335-2-41/A2:2010

Directiva EMC (2004/108/EC:15.12.04).

Standarde utilizate: EN 55014-1/A1: 2021 și EN 55014-2/A2:2008

Standarde utilizate: EN 61000-3-2/A2:2009 și EN 61000-3-3:2008

## **BG** Декларация за съответствие

Ние, фирма Nilfisk FOOD, заявяваме с пълна отговорност, че продуктите Hybrid-P BF16+, BF24+, BF32+, BF40+, BF48+, за които се отнася настоящата декларация, отговарят на следните указания на Съвета за уеднаквяване на правните разпоредби на държавите членки на ЕС:

Функция: Помпена станция

Модел/Тип: BF16-2+, BF24-3+, BF32-4+, BF40-5+, BF48-6+.

Сериен номер: Всички

Директива относно машините (2006/42/EO: 17.05.2006 г.).

Използван стандарт: EN 60335-2-41/A2:2010

Директива относно електромагнитната съвместимост

(2004/108/EO: 15.12.2004 г.).

Използван стандарт: EN 55014-1/A1: 2021 и EN 55014-2/A2:2008

Използван стандарт: EN 61000-3-2/A2:2009 и EN 61000-3-3:2008

## **CS** Prohlášení o shodě

My firma Nilfisk FOOD prohlašujeme na svou plnou odpovědnost, že výrobky Hybrid-P BF16+, BF24+, BF32+, BF40+, BF48+, na něž se toto prohlášení vztahuje, jsou v souladu s ustanoveními směrnice Rady pro sblížení právních předpisů členských států Evropského společenství v oblastech:

Funkce: Čerpací stanice

Model/Typ: Hybrid-P BF16-2+, BF24-3+, BF32-4+, BF40-5+, BF48-6+.

Výrobní číslo: Všechna

Směrnice o strojních zařízeních (2006/42/EC:2006-05-17).

Použitá norma: EN 60335-2-41/A2:2010

Směrnice EMC (2004/108/EC:2004-12-15).

Použitá norma: EN 55014-1/A1: 2021 a EN 55014-2/A2:2008

Použitá norma: EN 61000-3-2/A2:2009 a EN 61000-3-3:2008

## **SK** Prehlásenie o konformite

My firma Nilfisk FOOD prehlasujeme na svoju plnú zodpovednosť, že výrobky Hybrid-PBF16+, BF24+, BF32+, BF40+, BF48+, na ktoré sa toto prehlásenie vzťahuje, sú v súlade s ustanovením smernice Rady pre zblíženie právnych predpisov členských štátov Európskeho spoločenstva v oblastiach:

Funkcia: Čerpacia stanica

Model/typ:

Hybrid-P BF16-2+, BF24-3+, BF32-4+, BF40-5+, BF48-6+.

Sériové číslo: Všetky

Smernica o strojních zariadeniach (2006/42/ES: 17.5.2006).

Použitá norma: EN 60335-2-41/A2: 2010

Smernica o elektromagnetickej kompatibilite (2004/108/

ES: 15.12.2004).

Použitá norma: EN 55014-1/A1: 2009 a EN 55014-2/A2: 2008

Použitá norma: EN 61000-3-2/A2: 2009 a EN 61000-3-3: 2008

## **TR** Uygunluk Bildirgesi

Nilfisk FOOD olarak bu beyannameye konu olan Hybrid-P BF16+, BF24+, BF32+, BF40+, BF48+, ürünlerinin, AB Üyesi Ülkelerin kanunlarını birbirine yaklaştırma üzerine Konsey Direktifleriyle uyumlu olduğunu yalnızca bizim sorumluluğumuz altında olduğunu beyan ederiz:

Fonksiyon: Pompalama İstasyonu

Model/Tip: Hybrid-P BF16-2+, BF24-3+, BF32-4+, BF40-5+, BF48-6+.

Seri numarası: Tümü

Makine Direktifi (2006/42/EC:2006-05-17).

Kullanılmış standartlar: EN 60335-2-41/A2:2010

EMC Direktifi (2004/108/EC:2004-12-15).

Kullanılmış standartlar: EN 55014-1/A1: 2021 ve EN 55014-2/A2:2008

Kullanılmış standartlar: EN 61000-3-2/A2:2009 ve EN 61000-3-3:2008

## **ET** Vastavusdeklaratsioon

Meie, Nilfisk FOOD, deklareerime enda ainuvastutusel, et tooted Hybrid-P BF16+, BF24+, BF32+, BF40+, BF48+, mille kohta käesolev juhend käib, on vastavuses EÜ Nõukogu direktiividega EMÜ liikmesriikide seaduste ühitamise kohta, mis käsitlevad:

Funktsioon: Pumbajaam

Mudel/tüüp:

Hybrid-P BF16-2+, BF24-3+, BF32-4+, BF40-5+, BF48-6+.

Seerianumber: kõik

Masinaidirektiiv (2006/42/EÜ:2006-05-17).

Kasutatav standard: EN 60335-2-41/A2:2010

Elektromagnetilise ühilduvuse (EMC) direktiiv (2004/108/EÜ:2004-12-15).

Kasutatav standard: EN 55014-1/A1: 2021 ja EN 55014-2/A2:2008

Kasutatav standard: EN 61000-3-2/A2:2009 ja EN 61000-3-3:2008

## **LT** Atitikties deklaracija

Mes, Nilfisk FOOD, su visa atsakomybe pareiškiame, kad gaminiai Hybrid-P BF16+, BF24+, BF32+, BF40+, BF48+, kuriems skirta ši deklaracija, atitinka šias Tarybos Direktyvas dėl Europos Ekonominės Bendrijos šalių narių įstatymų suderinimo:

Paskirtis: Pumpavimo terminalas

Modelis / tipas:

Hybrid-P BF16-2+, BF24-3+, BF32-4+, BF40-5+, BF48-6+.

Serijos numeris: visi

Mašinų direktyvą (2006/42/EB:2006-05-17),

taikytas standartas: EN 60335-2-41/A2:2010;

Elektromagnetinio suderinamumo direktyvą (2004/108/EB:2004-12-15),

taikytas standartas: EN 55014-1/A1: 2021 ir EN 55014-2/A2:2008,

taikytas standartas: EN 61000-3-2/A2:2009 ir EN 61000-3-3:2008

## **LV** Paziņojums par atbilstību prasībām

Sabiedrība Nilfisk FOOD ar pilnu atbildību dara zināmu, ka produkti Hybrid-P BF16+, BF24+, BF32+, BF40+, BF48+, uz kuriem attiecas šis paziņojums, atbilst šādām Padomes direktīvām par tuvināšanos EK dalībvalstu likumdošanas normām:

Funkcija: Sūkņa stacija

Modelis/tips:

Hybrid-P BF16-2+, BF24-3+, BF32-4+, BF40-5+, BF48-6+.

Sērijas numurs: visi.

Mašīnu direktīva (2006/42/EK, 17.05.2006.)

Izmantotais standarts: EN 60335-2-41/A2:2010

Elektromagnētiskās savietojamības direktīva (2004/108/EK, 15.12.2004.)

Izmantotais standarts: EN 55014-1/A1: 2021 un EN 55014-2/A2:2008

Izmantotais standarts: EN 61000-3-2/A2:2009 un EN 61000-3-3:2008

## **UK** Свідчення про відповідність вимогам

Компанія Nilfisk FOOD заявляє про свою виключну відповідальність за те, що продукти Hybrid-P BF16+, BF24+, BF32+, BF40+, BF48+, на які поширюється дана декларація, відповідають таким рекомендаціям Ради з уніфікації правових норм країн -членів ЕС:

Функція: Насосна станція

Модель/Тип: Hybrid-P BF16-2+, BF24-3+, BF32-4+, BF40-5+, BF48-6+.

Серійний номер: усі

Директива щодо машинного обладнання (2006/42/EC:2006-05-17).

Використаний стандарт: EN 60335-2-41/A2:2010

Директива щодо електромагнітної сумісності (2004/108/EC:2004-12-15).

Використаний стандарт: EN 55014-1/A1: 2021 та EN 55014-2/A2:2008

Використаний стандарт: EN 61000-3-2/A2:2009 та EN 61000-3-3:2008

## Technical file responsible:

### Signature:

Flemming Asp

R & D Manager

Aalborg d. 11-05-2022

## Contenido ES

1. Descripción .....	105
1.1 Estación propulsora Multiamplificador BF16 - BF24 .....	106
1.2 Estación propulsora Multiamplificador BF32 - BF40 - BF48 .....	107
1.3 Diagramas de funcionamiento Multiamplificador .....	108
2. Mantenimiento .....	109
2.1 Filtro .....	109
2.2 Periodos de inutilización prolongados.....	109
3. Nuevo sistema .....	109
3.1 Nuevas unidades .....	109
4. Funcionamiento diario .....	109
4.1 Puesta en marcha .....	109
4.2 Detención .....	109
5. Reparaciones .....	110
5.1 Componentes.....	110
5.1.1 Bomba/motor.....	110
5.1.2 Sistema de control .....	110
5.1.3 Activador de flujo.....	110
5.1.3.1 Ajuste de la estación propulsora Professional .....	110
5.1.4 Válvula de retención (toma de entrada).....	110
5.2 Reciclaje y eliminación .....	110
6. Solución de problemas .....	111
6.1 La unidad no se pone en marcha.....	111
6.2 El indicador "Δ" del panel de control está encendido.....	112
6.3 La presión es demasiado baja o inestable.....	112
7. Piezas de repuesto recomendadas .....	113
8. Especificaciones .....	113
9. Diagrama eléctrico.....	114
10. Curva de la bomba .....	131
11. Declaración de Conformidad .....	132





## 1. Descripción

La estación propulsora de la gama Hybrid-P es una estación de bombeo con funciones completas que proporciona agua a presión a las estaciones de limpieza satélites conectadas. Por lo tanto el aumentador de presión se debe suministrar agua en suficientes cantidad y energía según especificaciones.

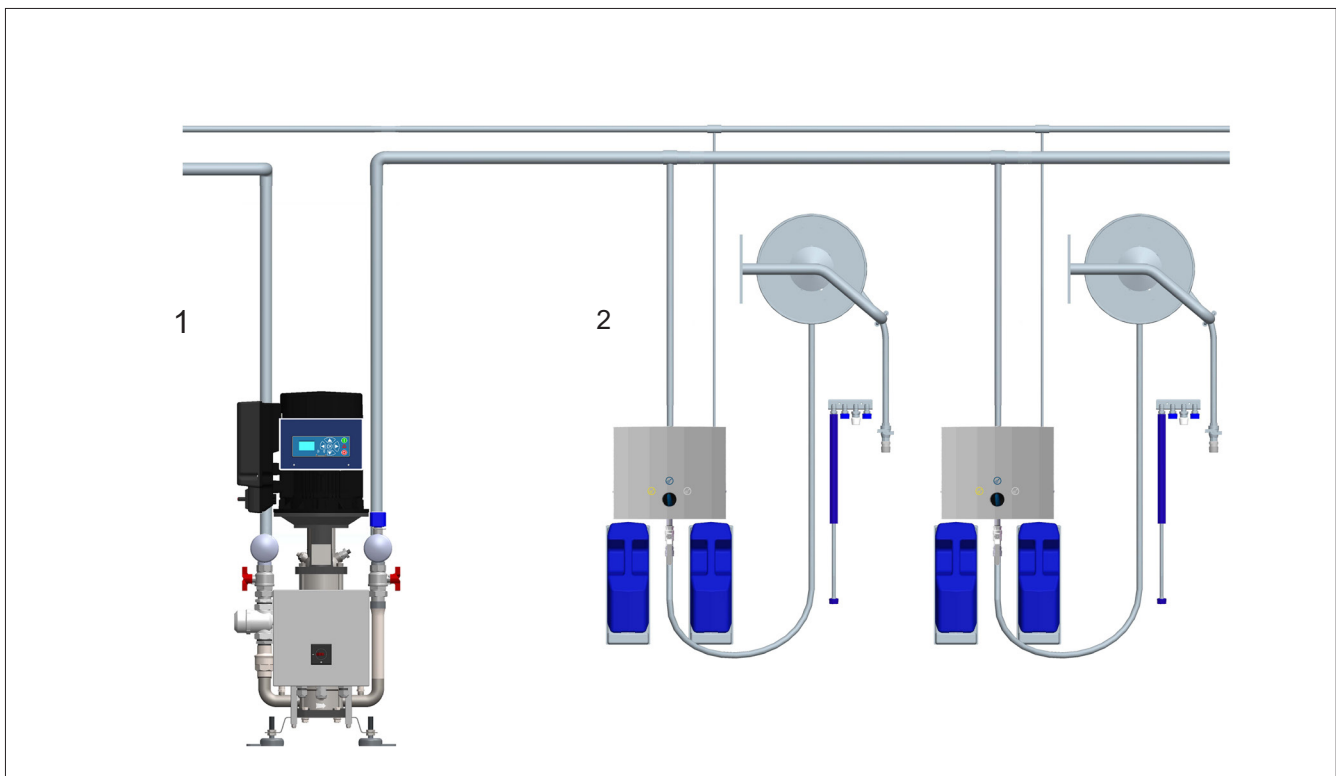
Entonces estará lista para las tareas de limpieza.

La estación propulsora está equipada con una bomba controlada por frecuencia que garantiza una presión de funcionamiento constante, independientemente de cuál sea el patrón de uso.

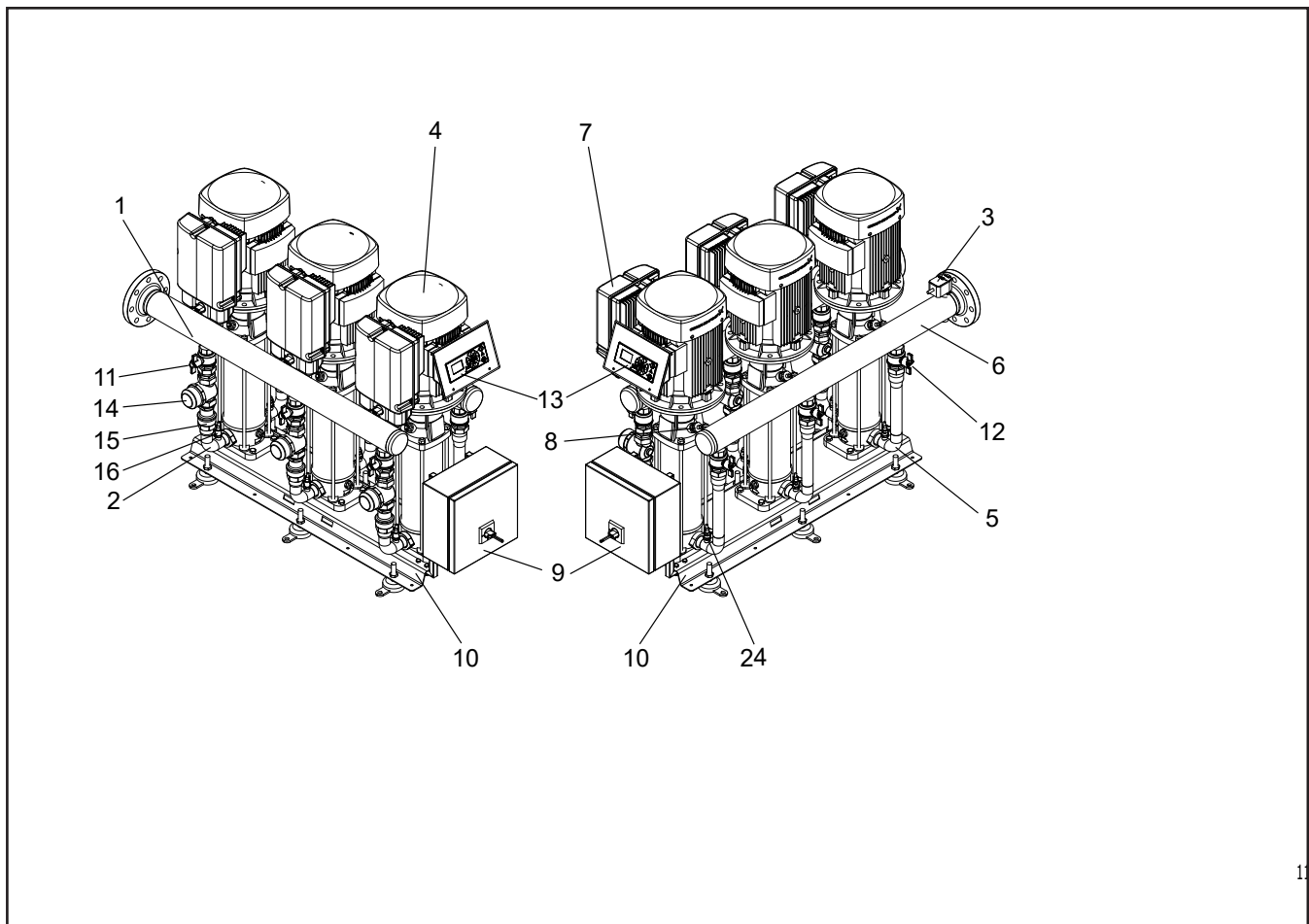
Importante: No utilice el agua del sistema para ningún otro fin que no sea la limpieza

Se muestra una instalación típica de propulsor de piso en fig. 2

- Propulsor (1)
- Unidad satélite (2)



110008634

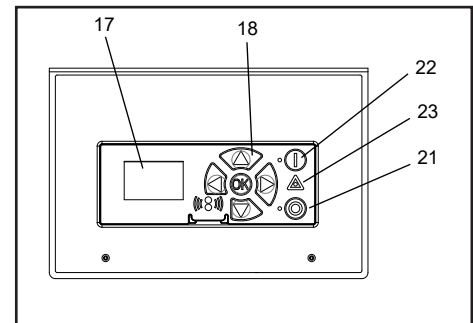


110008450A

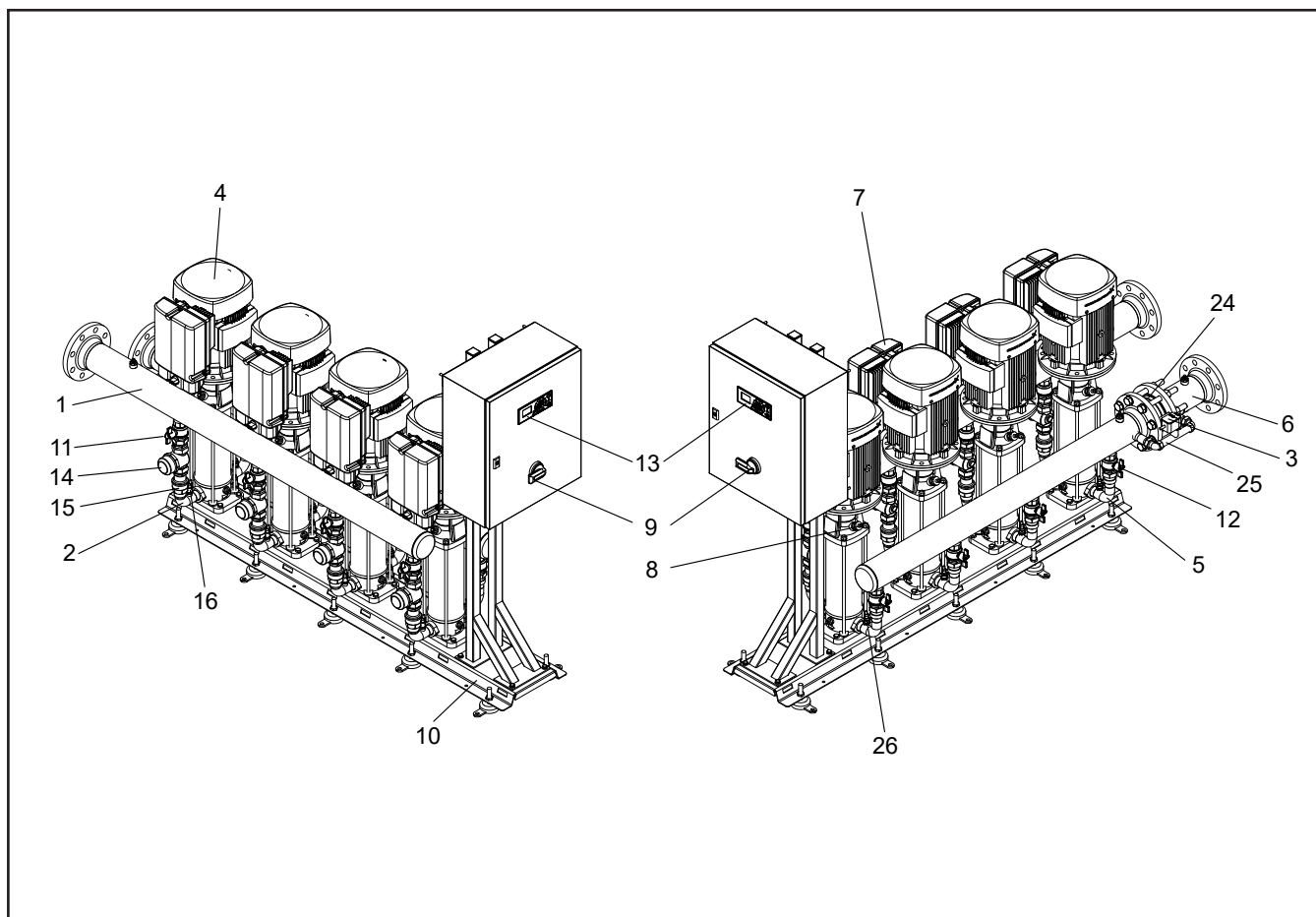
## 1.7 Estación de propulsión

### BF16 - BF24

1. Toma de agua
2. Entrada de válvula de distribución
3. Sensor de activación, sensor de flujo
4. Bomba
5. Salida de válvula de distribución
6. Tubería de salida
7. Unión de entrada
8. Sensor de temperatura
9. Caja eléctrica de la conexión
10. Soporte del piso
11. Válvula de bola de la entrada
12. Válvula de bola del enchufe
13. Panel del operador
14. Filtro de suciedad
15. Válvula no de vuelta
16. Sensor de presión de entrada
17. Visor
18. Botones de desplazamiento
21. • O Botón de detención (pulsador)
22. • I Botón de puesta en marcha (pulsador)
23. • Δ Indicador luminoso de error Δ (una luz por cada error)
24. Sensor de presión de salida



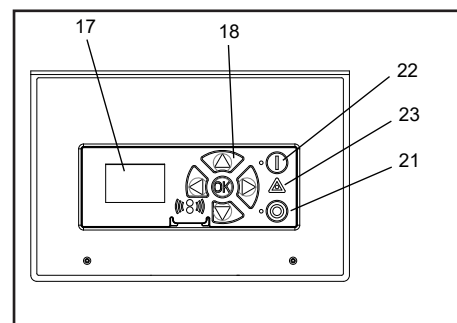
110002183



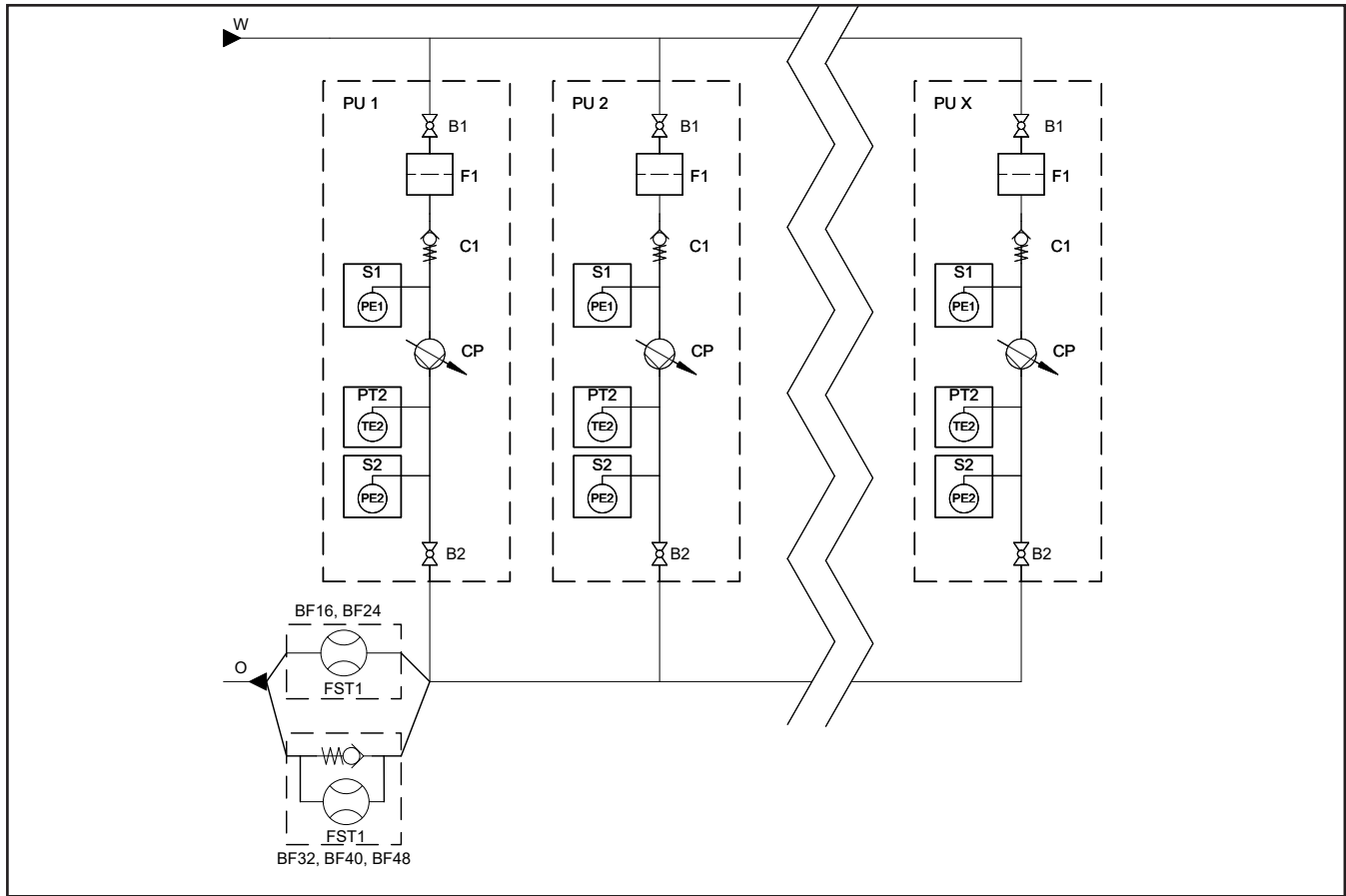
110008454A

### 1.3 Estación de propulsión BF32 - BF40 - BF48

1. Toma de agua
2. Entrada de válvula de distribución
3. Sensor de activación, sensor de flujo
4. Bomba
5. Salida de válvula de distribución
6. Tubería de salida
7. Unión de entrada
8. Sensor de temperatura
9. Caja eléctrica de la conexión
10. Soporte del piso
11. Válvula de bola de la entrada
12. Válvula de bola del enchufe
13. Panel del operador
14. Filtro de suciedad
15. Válvula no de vuelta
16. Sensor de presión de entrada
17. Visor
18. Botones de desplazamiento
21. • ○ Botón de detención (pulsador)
22. • I Botón de puesta en marcha (pulsador)
23. • Δ Indicador luminoso de error Δ (una luz por cada error)
24. Válvula de retención para derivación
25. By-pass
26. Sensor de presión de salida



110002183



110008439

### 1.3 Diagramas de funcionamiento

#### Multiamplificador BF16 - BF24 - BF32 - BF40 - BF48

- B. Válvula esférica
- F. Filtro
- FST. Conmutador de flujo
- C. Válvula de retención
- PE. Sensor de presión
- TE. Sensor de temperatura
- CP. Bomba centrífuga
- D. Salida
- PU. Unité de pompe
- W. Toma de agua
- SN. Nr del Zócalo

## 2. Mantenimiento

Sin embargo, se recomienda limpiarla como el resto de los equipos del área. Limpie el filtro con la debida regularidad (cada 1-3 meses aproximadamente), dependiendo de la cantidad de impurezas del agua.

### 2.1 Filtro

1. Pulse "0" en el panel de control para detener la estación propulsora

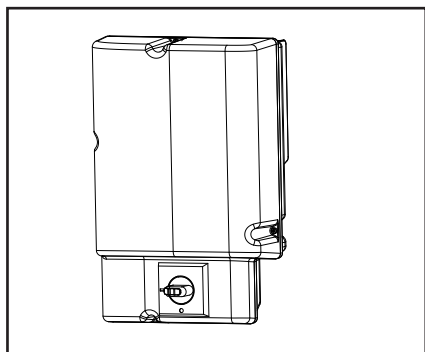


Fig. 1 110008442

2. Active el interruptor del conmutador central (figura 1).
3. Cierre la toma de agua.
4. Abra una tapa (regulador) para liberar presión del sistema.
5. Extraiga el filtro (A, fig. 2) y colóquelo en una solución desincrustante.

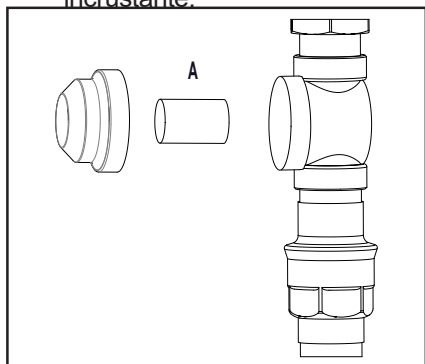


Fig. 2 110002117

6. Enjuague a conciencia el filtro que acaba de limpiar y vuelva a montarlo.
7. Tamaño min. de la malla del filtro 800µ -> 1500µ.

## 2.2 Antes de paradas prolongadas

Si tiene previsto detener el funcionamiento durante un período de tiempo prolongado (superior a 6 meses) y la bomba se ha vaciado de agua, se recomienda asegurarla de la siguiente forma:

1. Retire la protección de seguridad del acoplamiento.
2. Pulverice unas gotas de aceite de silicona en el eje (árbol) situado entre la sección superior y el acoplamiento.

Siga estrictamente las instrucciones del manual suministrado por el proveedor de la bomba.

## 3. Puesta en marcha

### 3.1 Sistema nuevo

Para garantizar una puesta en marcha sin problemas de un sistema nuevo, deberá enjuagar y purgar el sistema de tuberías.

### Purga del sistema de tuberías

1. Abra el suministro de agua para enjuagar y purgar la totalidad del sistema. Si hay sistemas satélite instalados, abra la tapa que se encuentre a mayor distancia hasta que deje de salir aire o suciedad. A continuación, siga enjuagando y purgando las tapas siguientes por orden, hasta haber terminado con la que se encuentra más cercana a usted.
2. Monte las estaciones satélite, si las hay.

### Purga de la bomba

3. Pulse "0" en el panel de control para detener la estación propulsora

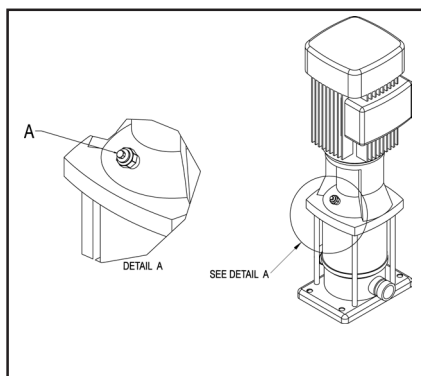


Fig. 3 0627131

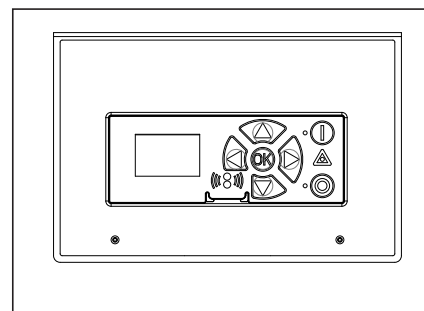


Fig. 4 110002183

4. Afloje el tapón de vaciado 1 ó 2 vueltas (A, figura 3), hasta que empiece a salir agua y aire.

**Nota:** Nunca afloje el enchufe de la relevación mientras que la bomba está funcionando mientras que ésta puede dañar el embalaje y causar daños corporales.

5. Vuelva a apretar el tapón de vaciado.
6. Ponga en marcha la bomba para que todas las bolsas de aire suban hasta la parte superior.
7. Detenga la bomba.
8. Afloje de nuevo el tapón de vaciado 1 ó 2 vueltas y purgue el sistema hasta que salga sólo agua.
9. Vuelva a apretar el tapón de vaciado.

La estación propulsora estará lista para su puesta en funcionamiento. Pulse "I" en el panel de control. Consulte la figura 4.

## 4. Funcionamiento diario

### 4.1 Puesta en marcha

1. Compruebe que los suministros de agua del sistema están abiertos.
2. Pulse "I" en el panel de control para poner en marcha la unidad.

### 4.2 Detención

1. Pulse "0" en el panel de control para detener la estación.
2. Cierre el suministro de agua.
3. Cierre el suministro de aire.

**Nota:** es importante cerrar el agua y el aire al dejar la máquina después de su uso, por los siguientes motivos:

- Si el suministro de aire está abierto cuando la estación principal y los satélites no se están utilizando, podría entrar aire en la tubería del agua, lo que puede implicar que haya que volver a purgar el sistema.
- El separador de agua, que forma parte del regulador de aire, sólo deberá vaciarse cuando esté cerrado el aire.  
Tras interrupciones prolongadas de la producción (por vacaciones o similares) puede ser necesario volver a purgar el sistema de tuberías y la estación de refuerzo.

## 5. Reparaciones

Las reparaciones sólo podrá realizarlas personal cualificado autorizado.

**Advertencia:** el sistema sólo deberá repararse en ausencia de total de voltaje o presión.

1. Apague el interruptor principal en el cuadro de controles (figura 1).
2. Abra una salida de agua para liberar presión en el sistema.

### 5.1 Componentes

#### 5.1.1 Bomba/motor

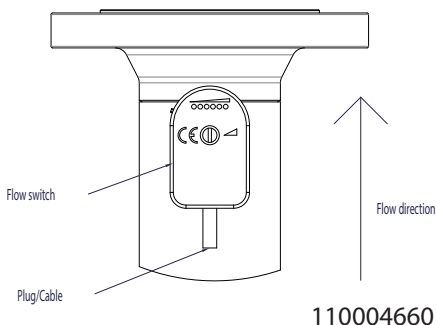
Para obtener más información sobre la bomba/motor, consulte el manual de la bomba del proveedor de la bomba.

#### 5.1.2 Sistema de control

No necesita mantenimiento. Si está defectuosa, póngase en contacto con el servicio técnico.

#### 5.1.3 Activador de flujo

No necesita mantenimiento. Si está defectuoso, sustituya el conmutador de flujo. La orientación del interruptor de caudal tiene que hacerse de manera que el enchufe/extremo del cable del interruptor apunte en sentido contrario al caudal.

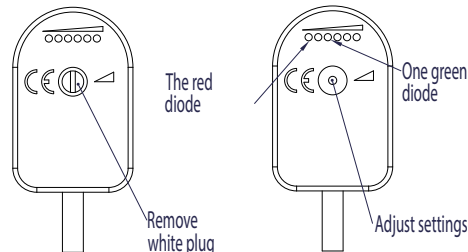


#### 5.1.3.1 Ajuste del interruptor de caudal

Al cambiar o instalar el interruptor de caudal es necesario ajustarlo.

1. Pulse "1" en el panel de control para encender la máquina.
2. Gire el mango de "enjuague/espuma" de la estación satélite hasta la posición de espuma.
3. Active el mango del pulverizador en la manguera de salida de la estación satélite para que salga el agua.
4. Compruebe que el interruptor de caudal esté girado del modo correcto (el cable debe seguir el sentido contrario del caudal) (véase la ilustración).
5. Antes de realizar el ajuste, quite el enchufe blanco/tornillo (véase la ilustración).
6. Ajuste el caudal hasta que se ilumine un diodo verde (véase la ilustración).
7. Vuelva a cerrar el mango del pulverizador y compruebe que el diodo rojo se enciende.
8. Vuelva a montar el enchufe blanco/tornillo.

Ahora está ajustado el interruptor de caudal.



110004714

#### 5.1.4 Válvula de retención (toma de entrada)

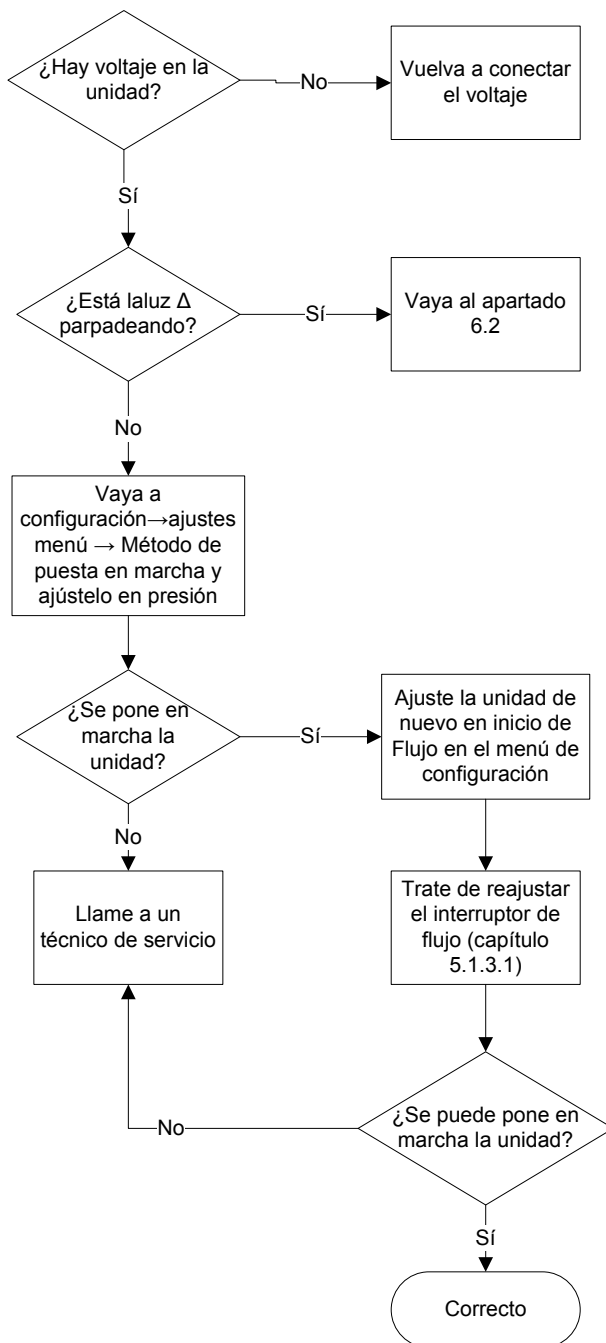
Si está defectuosa, sustituya la válvula de retención.

### 5.2 Reciclaje y eliminación

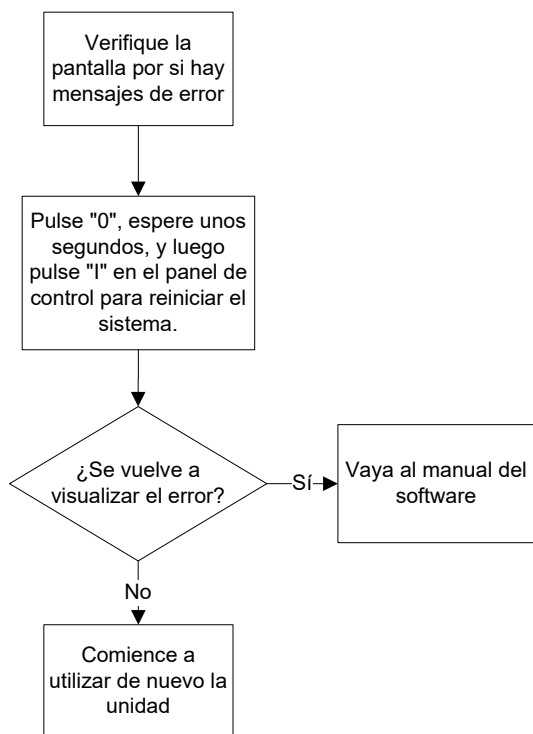
Recicle el embalaje y deseche la máquina según las recomendaciones de las autoridades locales.

## 6. Solución de problemas

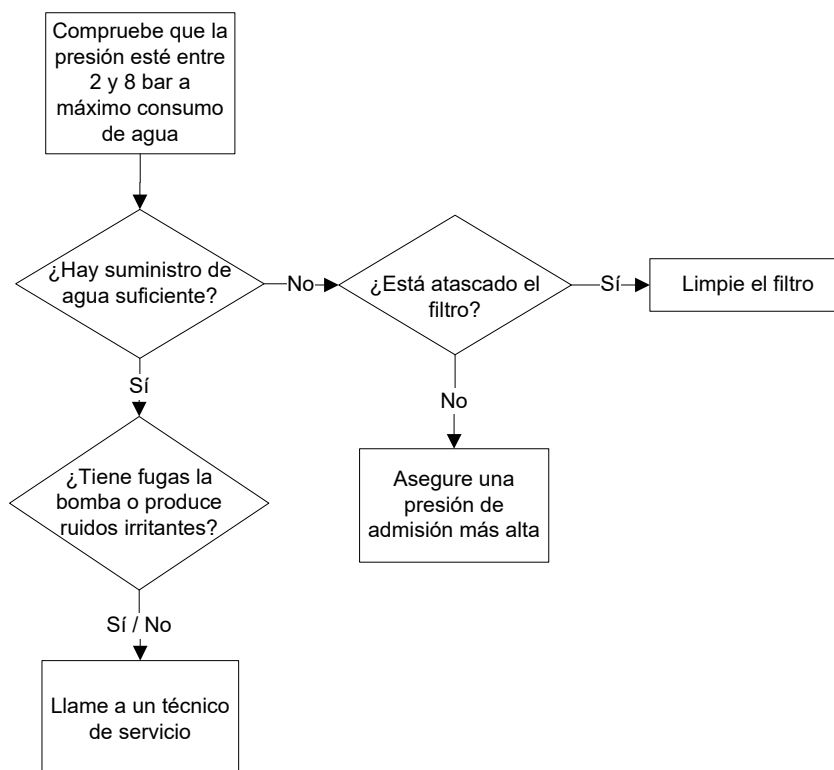
### 6.1 La unidad no se pone en marcha.



## 6.2 El indicador “Δ” del panel de control está encendido.



## 6.3 ¿Si la presión de entrada es baja o inestable!





## 7. Piezas de repuesto recomendadas

Los recambios recomendados se marcan con \* en el manual del recambio.

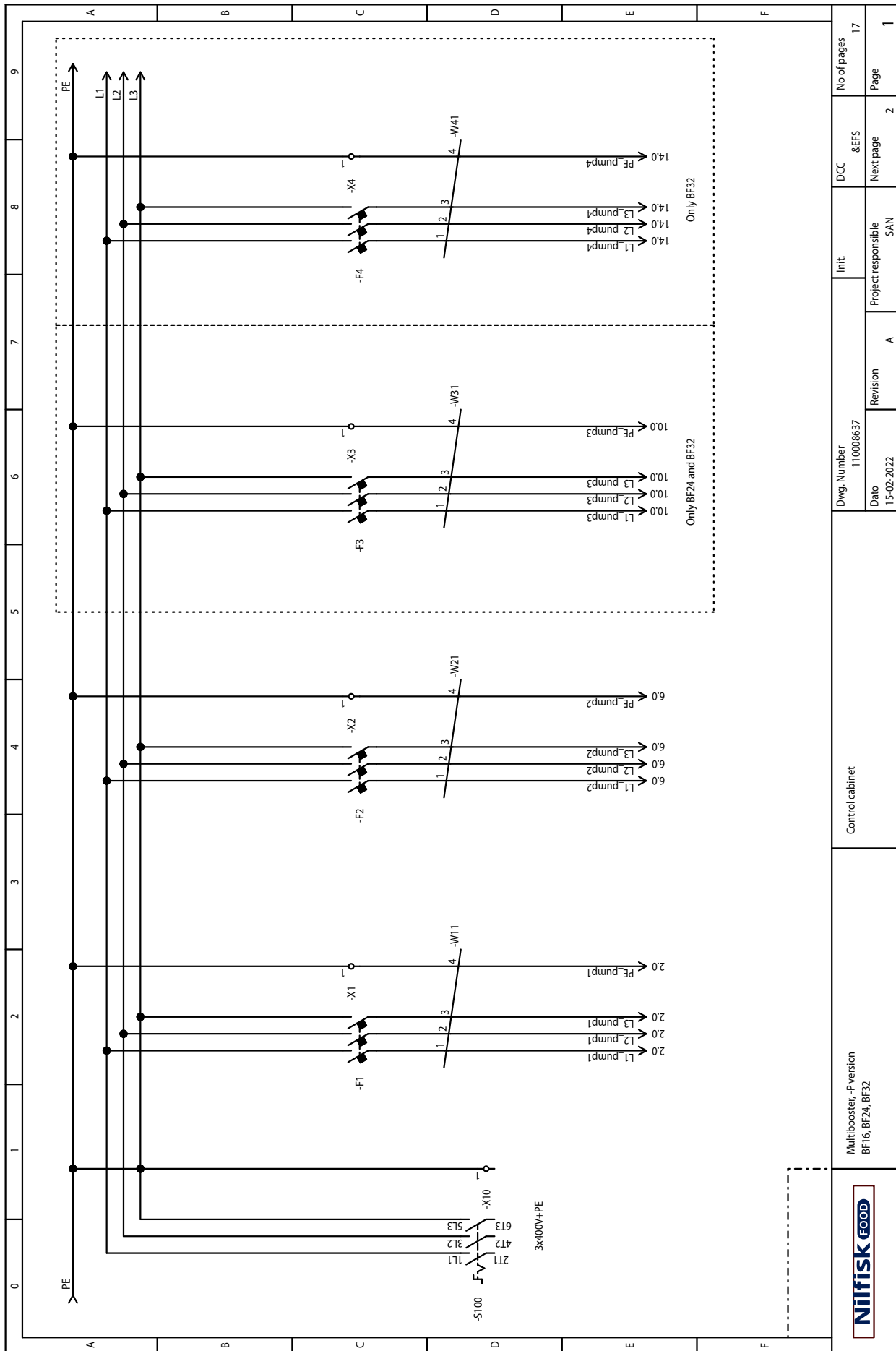
## 8. Especificaciones

Données techniques	Unit.	Booster/Main station.				
		Advanced*	Proff.*			
Eau		3 (4 kW)	3 (4 kW)	4 (5.5 kW)	7 (10kW)**	8 (11 kW)*
Pression sortie max.	bar	25	25	25	22	25
Consommation au rinçage 1)	L/min	90	90	120	210	240
Consommation à l'aspersion de mousse.	L/min	30	30	40	80	80
Pression alimentation min.	bar	2	2	2	2	2
Pression alimentation max.	bar	8	8	8	8	8
Alimentation eau min.	L/min	100	100	135	265	265
Temp. Eau max.	°C	70	70	70	70	70
Diamètre conduit admission	Pouce	1.1/4"	1.1/4"	1.1/4"	1.1/4"	2"
Diamètre conduit sortie	Pouce	1.1/4"	1.1/4"	1.1/4"	1.1/4"	2"
<b>Electricité</b>						
Tension alimentation (V Hz)*	V	3/PE 380-528VAC 50/60Hz				
Fréquence	Hz					
Charge moteur (kW)	kW	4	4	5.5	5.5	10
Installation to EN 60204-1						
Courante nominale	A	10.6	10.6	14.2	14.2	27
Fusible	A	16	16	20	20	35
L1, L2, L3, PE	mm2	2.5	2.5	2.5	2.5	6
<b>Généralités</b>						
Niveau sonore ISO 11202	dB	por debajo de 85 dB	-	-	-	-
Dimensions	mm	1070 x 550 x 375	785 x 550 x 375	1074 x 557 x 382	1074 x 557 x 382	990 x 535 x 364
Poids (kg)	kg	85	60	75	75	80

Nota

\*Bombee la barra de la presión 20 + la barra del máximo 25 de la presión de entrada.

## 9. Piezas de repuesto recomendadas



Multibooster, -P version  
BF16, BF24, BF32

Control cabinet

Dwg. Number  
110008637

Date  
15-02-2022

Revision  
A

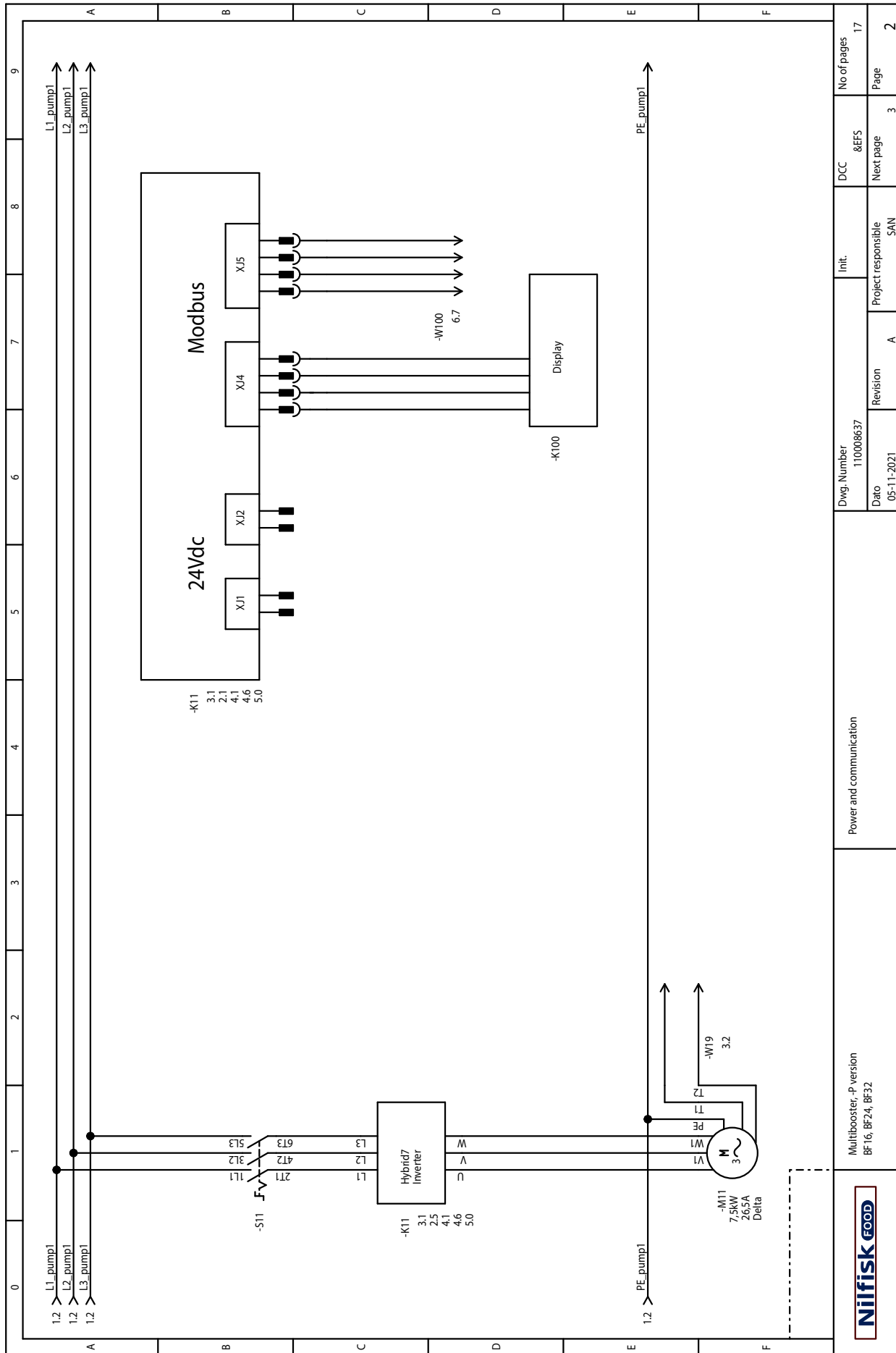
Project responsible  
SAN

DCC &EFS

No of pages  
17

Page  
2

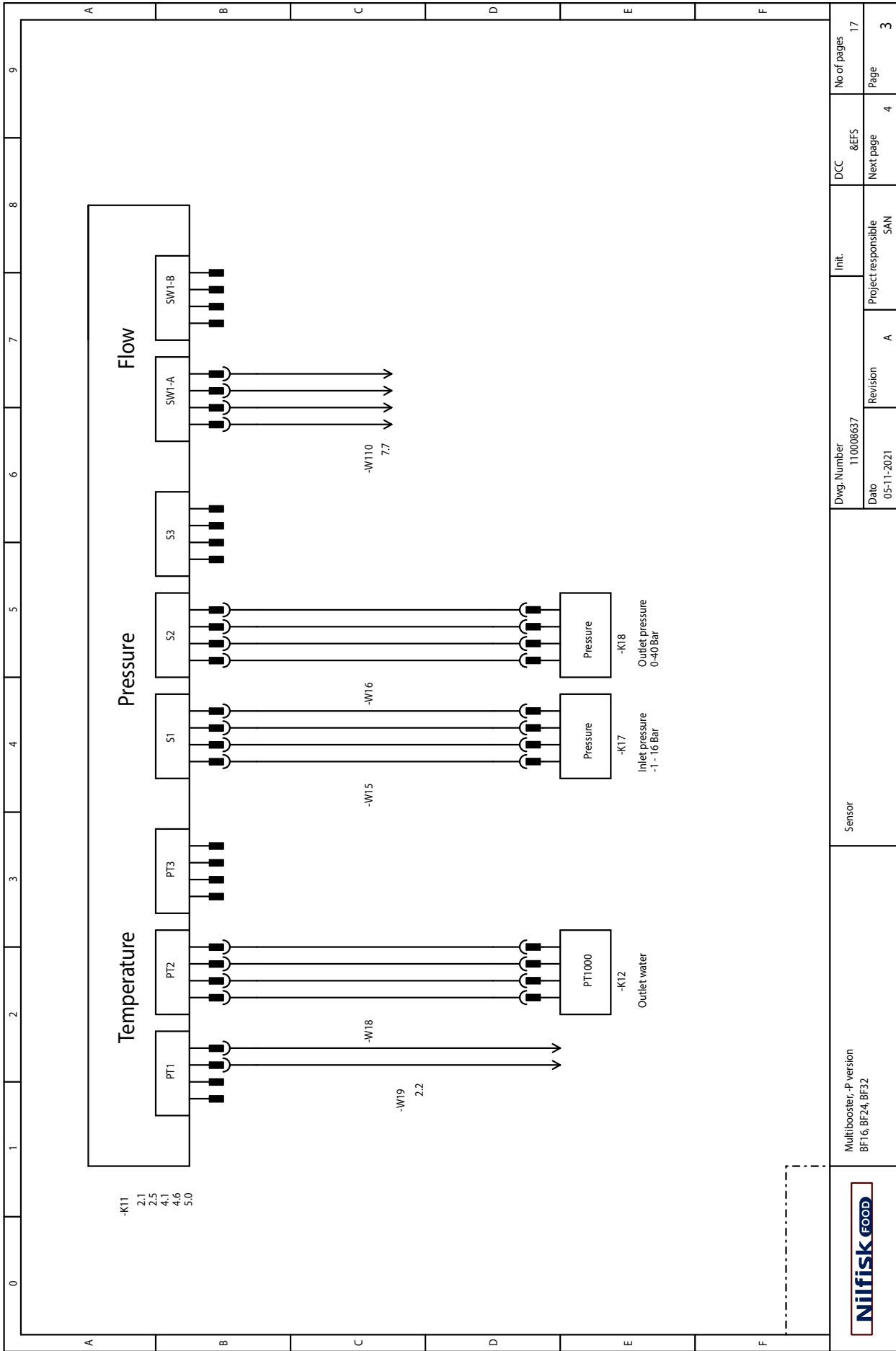
Page  
1



Multibooster, P version  
BF16, BF24, BF32

Power and communication

Dwg. Number 110006637		Init.		DCC		No of pages 17		
Date 05-11-2021		Revision A		Project responsible SAN		Next page 3		
							Page 2	



Multibooster,-P version  
BF16, BF24, BF32

Sensor

Dwg. Number  
110008637

Date  
05-11-2021

Revision  
A

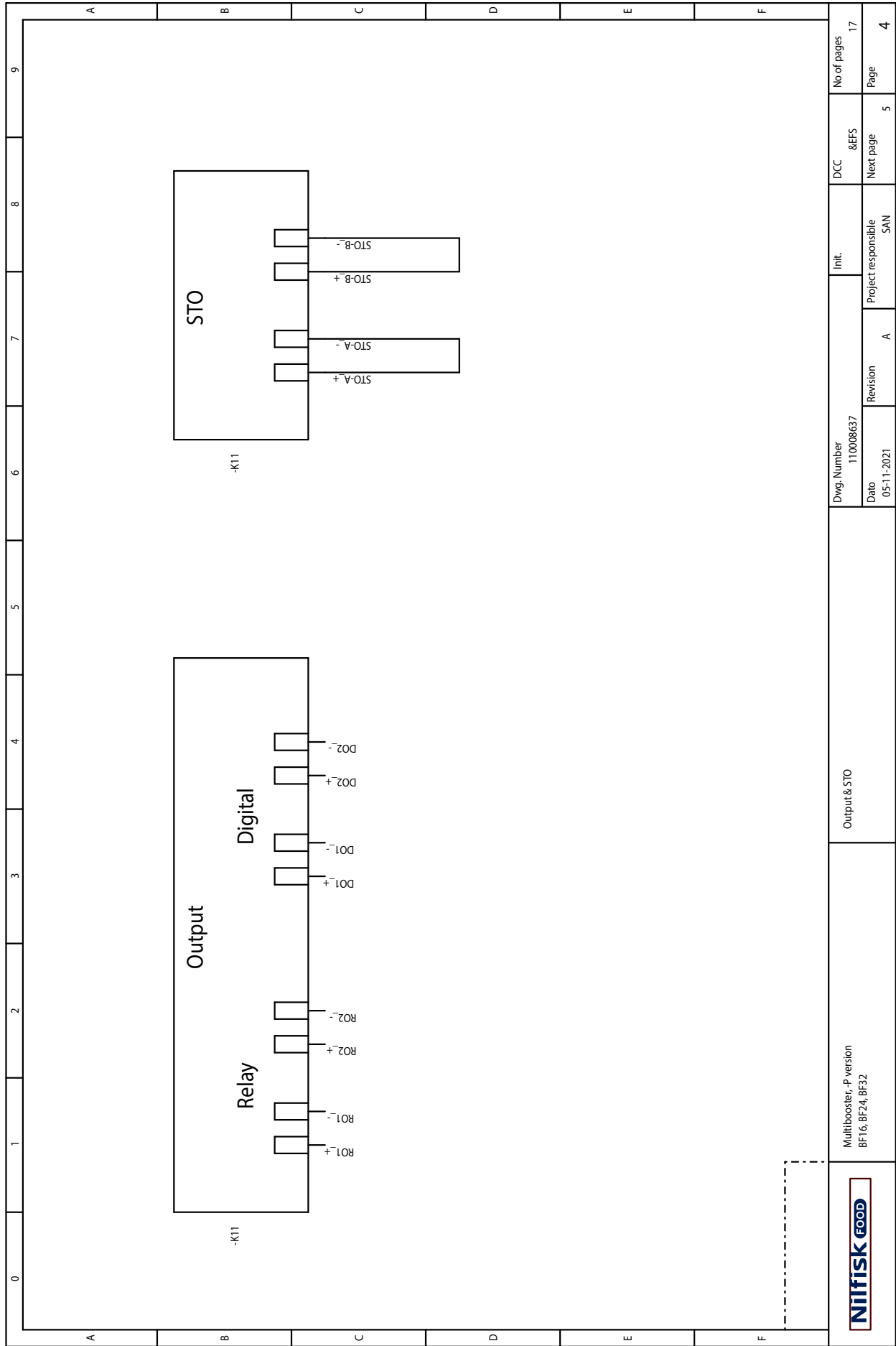
Project responsible  
SAN

DCC  
&EFS

Next page  
4

No of pages  
17

Page  
3



Multi booster -P version  
BF16, BF24, BF32

Output & STO

Dwg. Number  
110008637

Init.

DCC

No of pages  
17

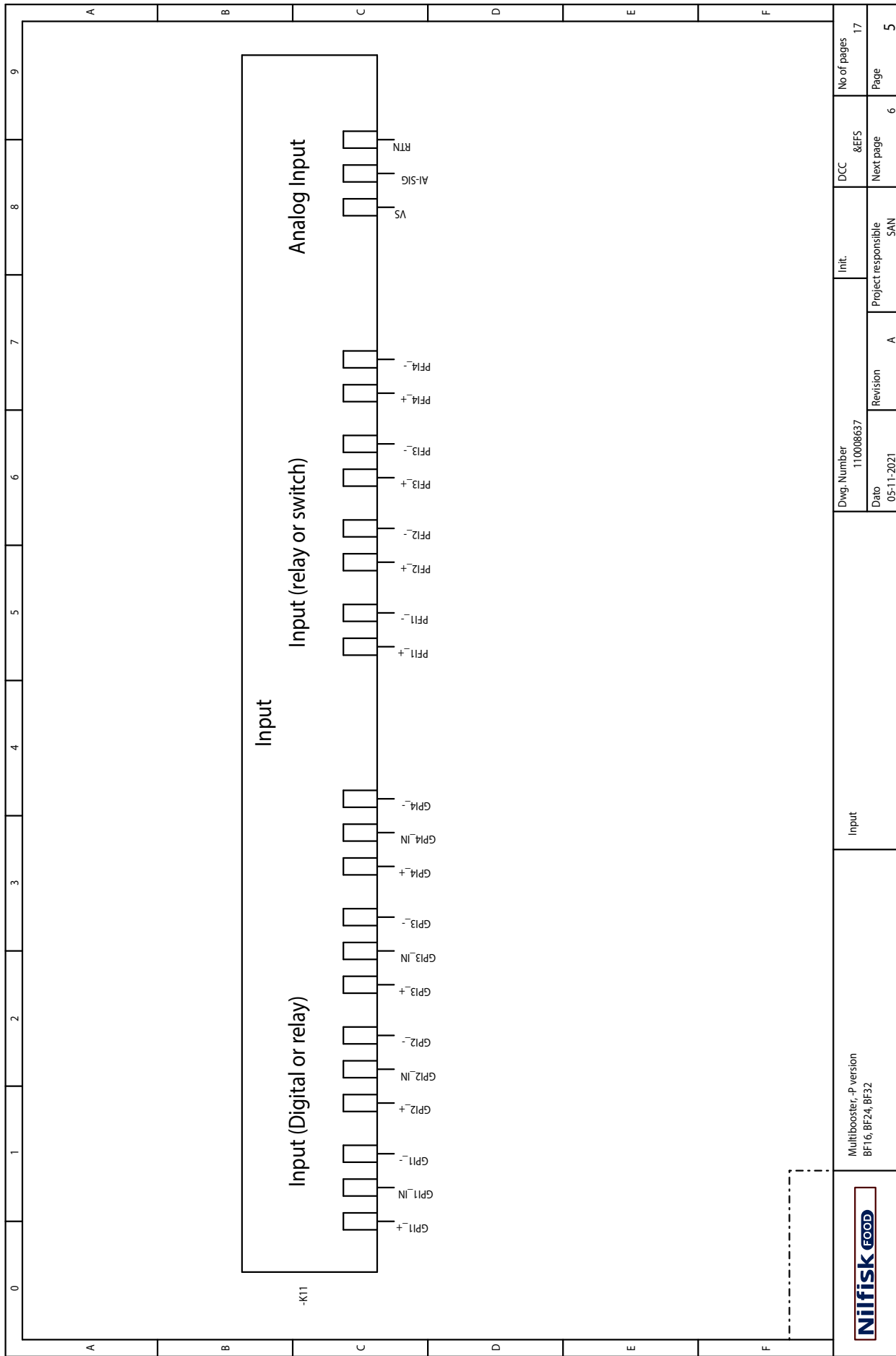
Date  
05-11-2021

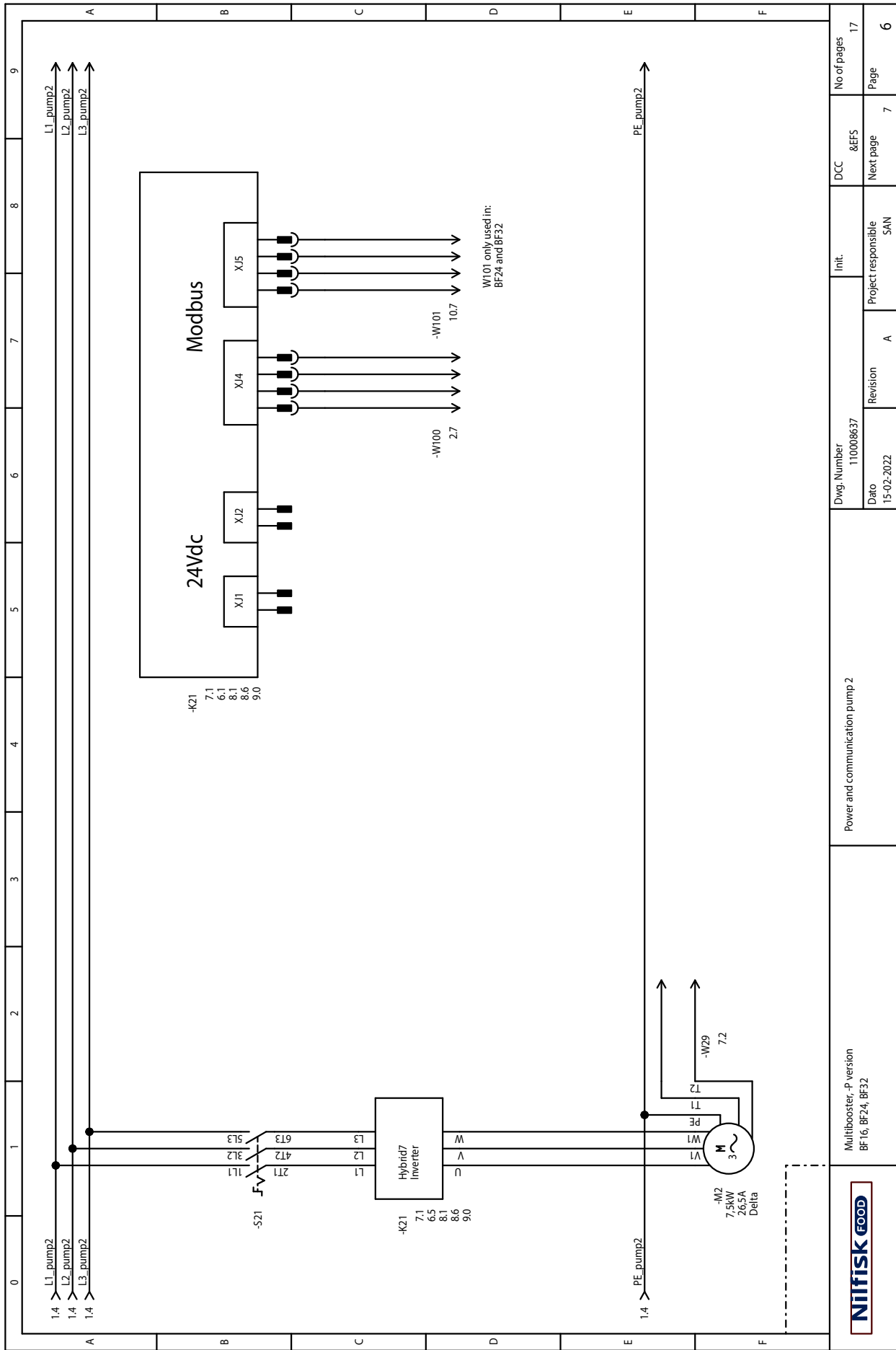
Revision  
A

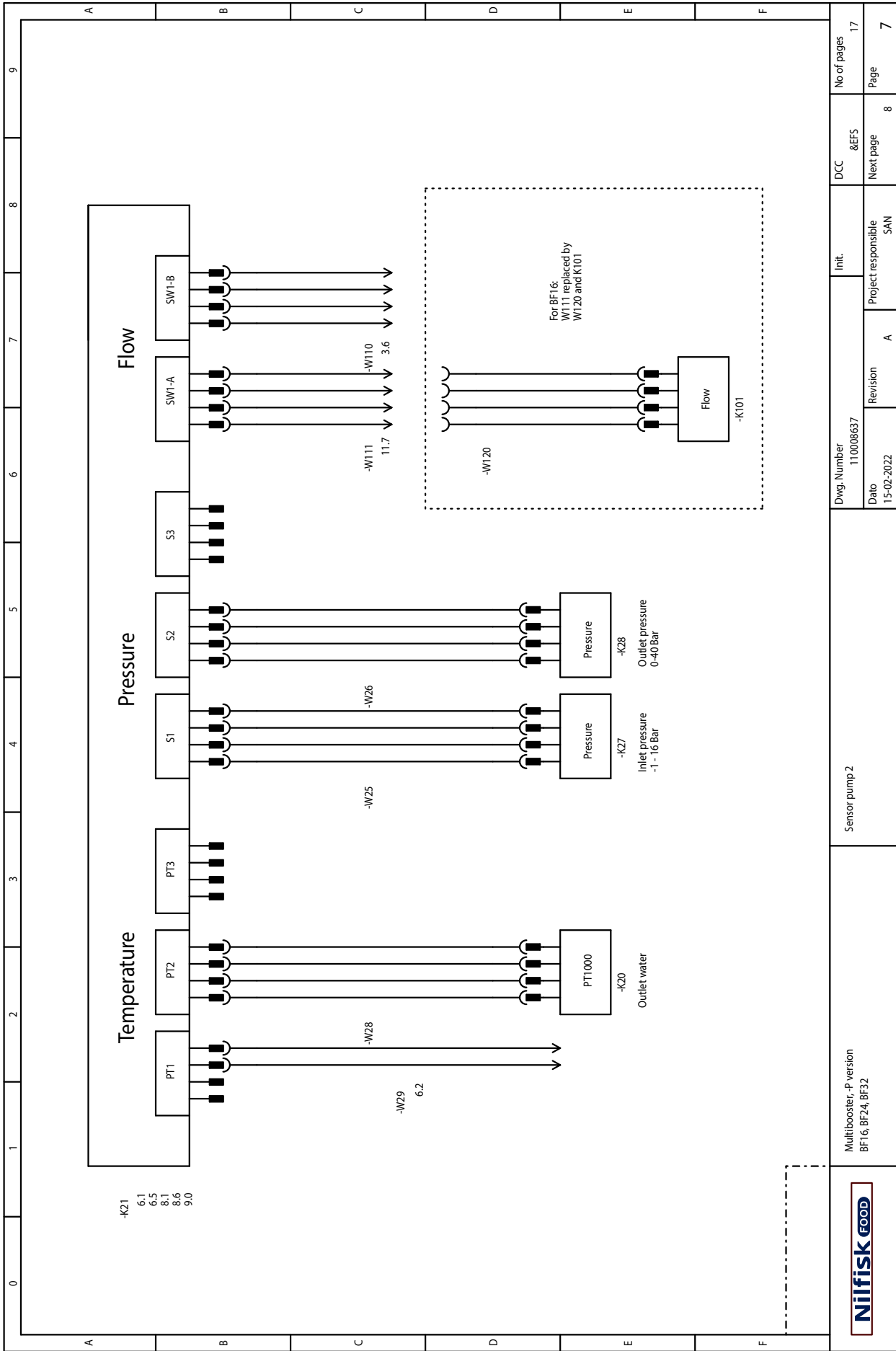
Project responsible  
SAN

Next page  
5

Page  
4







Multibooster,-P version  
BFT6, BFT24, BFT32

Sensor pump 2

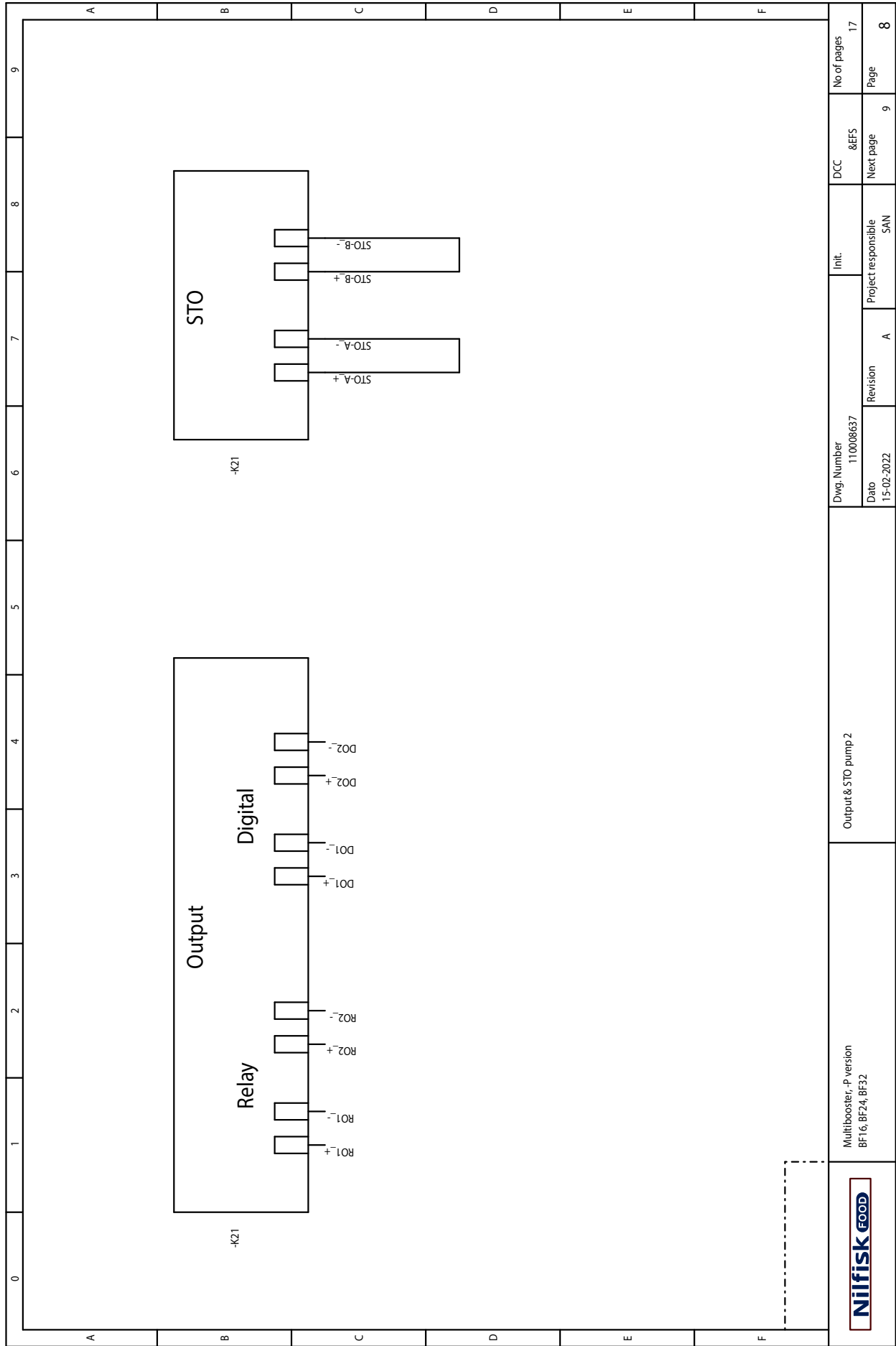
Dwg. Number  
110008637

Init.  
Project responsible  
SAN

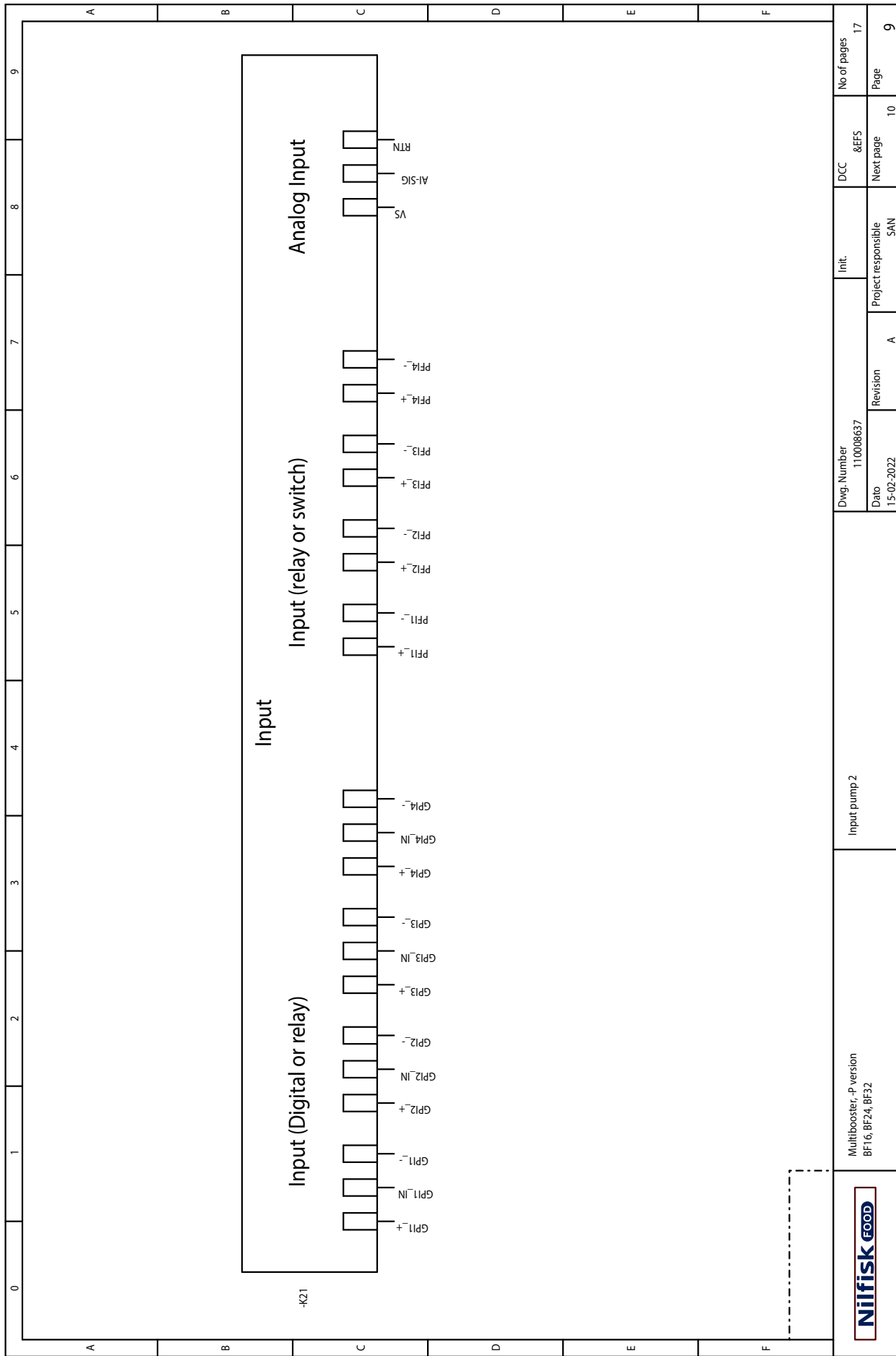
DCC  
&EFS  
Next page  
8

No of pages  
17  
Page  
7





	Multi booster, -P version BF16, BF24, BF32	Output & STO pump 2	Dwg. Number 110008637	Init.	DCC	No of pages 17
			Date 15-02-2022	Revision A	Project responsible SAN	&EFS Next page 9
						Page 8



Multibooster,-P version  
BF16, BF24, BF32

Input pump 2

Dwg. Number  
110008637

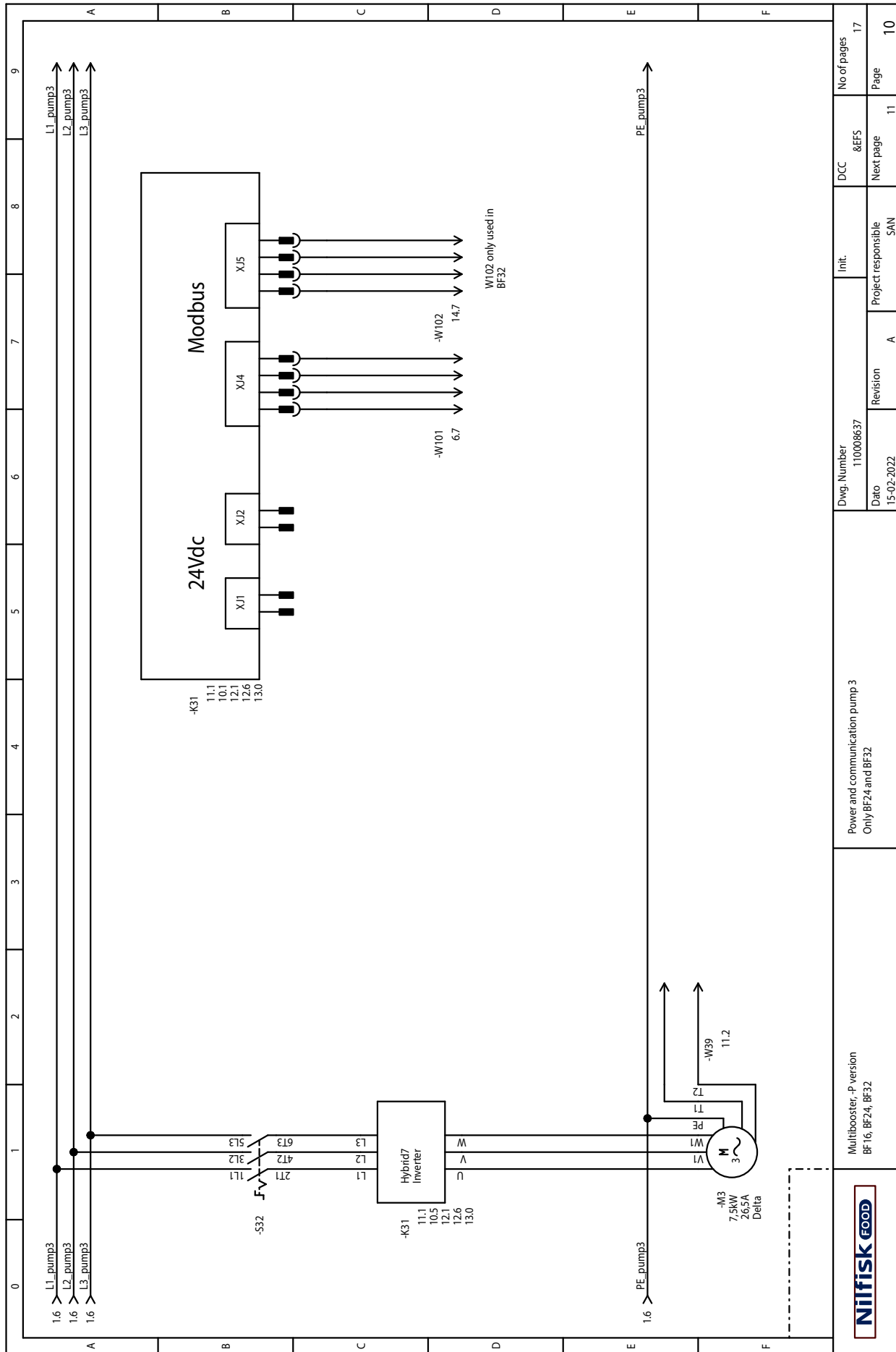
Init.  
Project responsible  
SAN

DCC  
&EFS  
Next page  
10

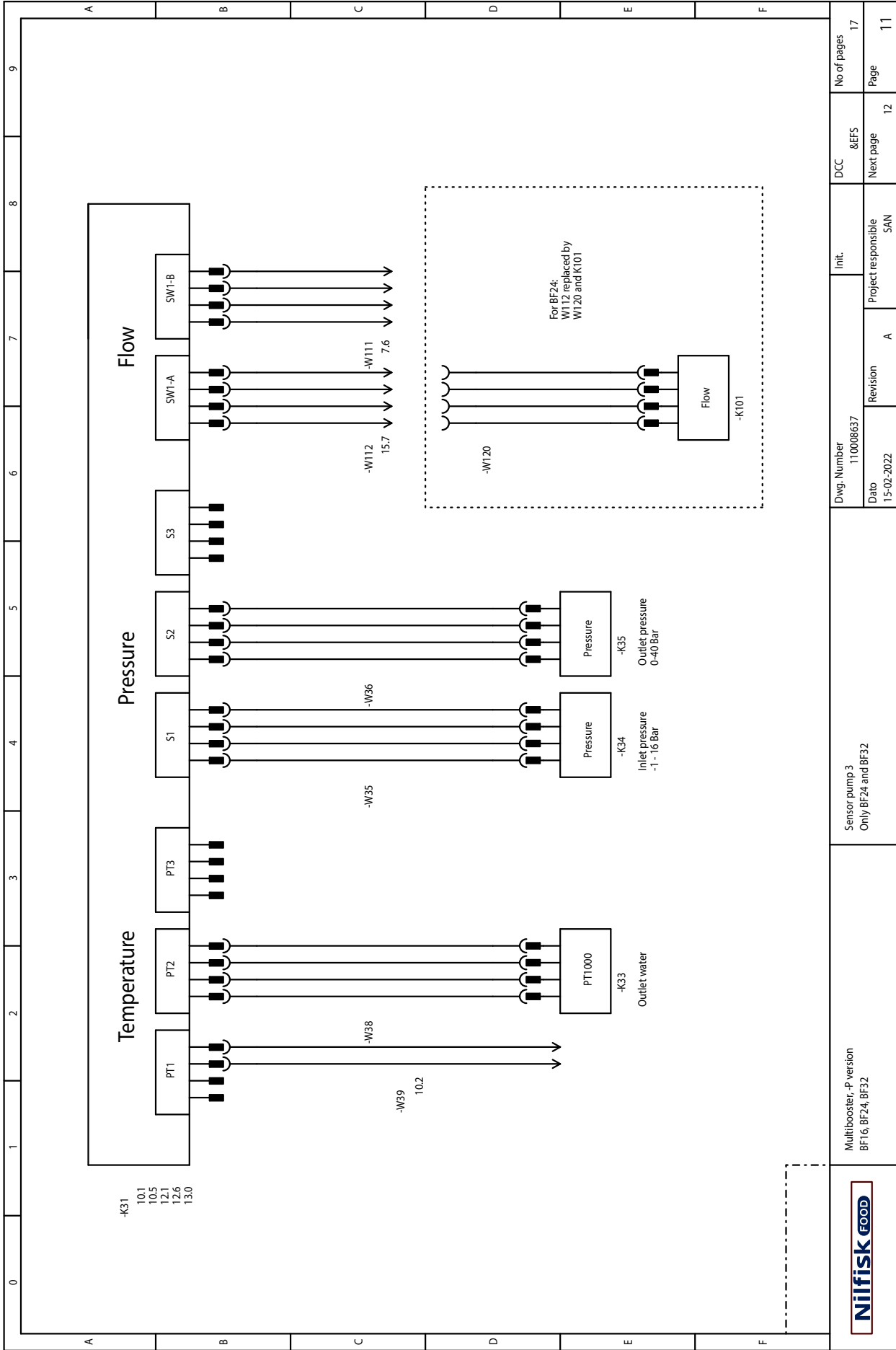
No of pages  
17  
Page  
9

0 1 2 3 4 5 6 7 8 9

A B C D E F



		Multibooster,-P version BF16, BF24, BF32		Power and communication pump 3 Only BF24 and BF32		Dwg. Number 110008637		DCC &EFS		No of pages 17	
						Date 15-02-2022		Project responsible SAN		Page 11	
						Revision A				Page 10	



Multibooster,-P version  
BF16, BF24, BF32

Sensor pump 3  
Only BF24 and BF32

Dwg. Number  
110008637

Init.

DCC  
&EFS

No of pages  
17

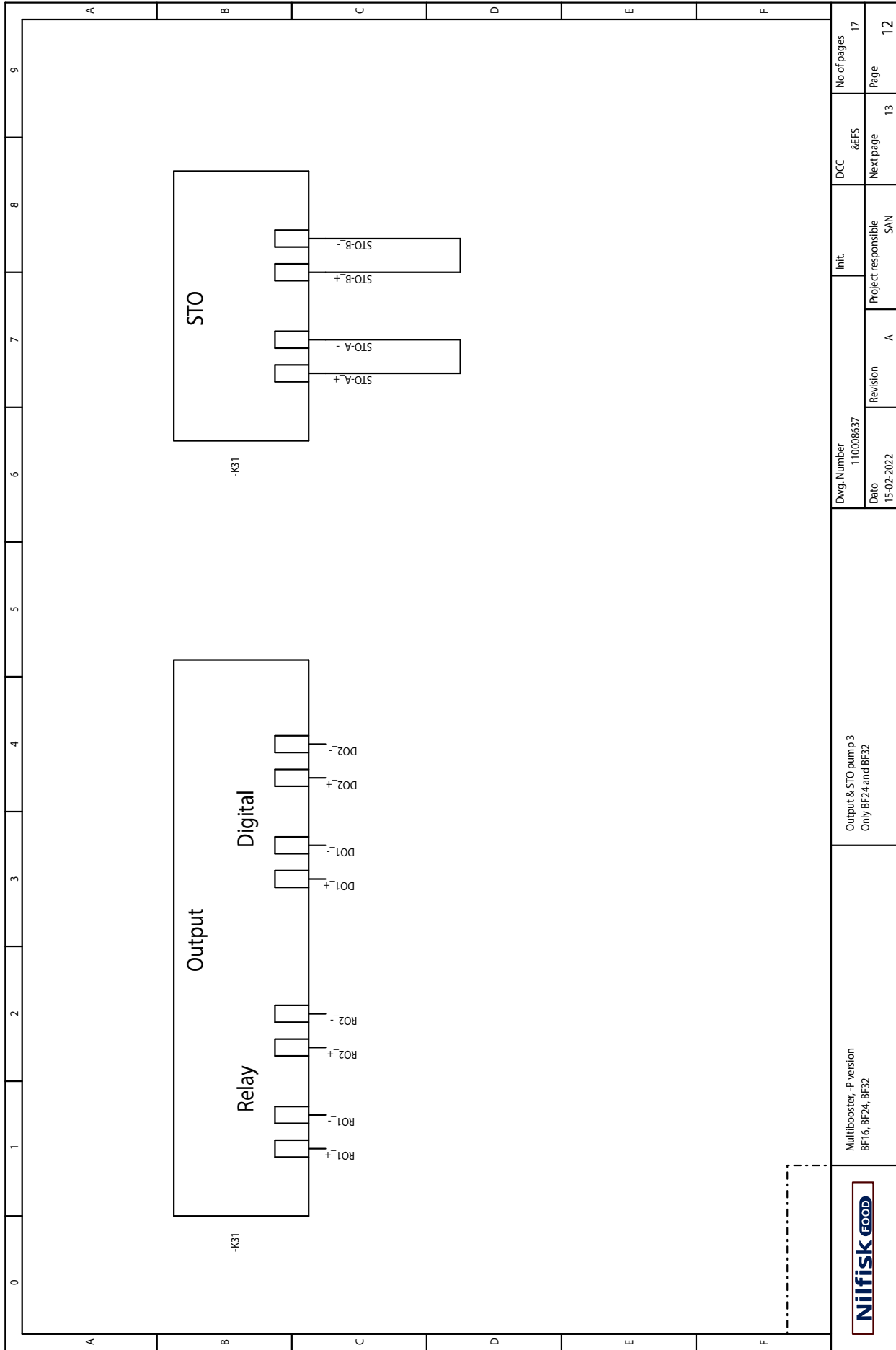
Revision  
A

Project responsible  
SAN

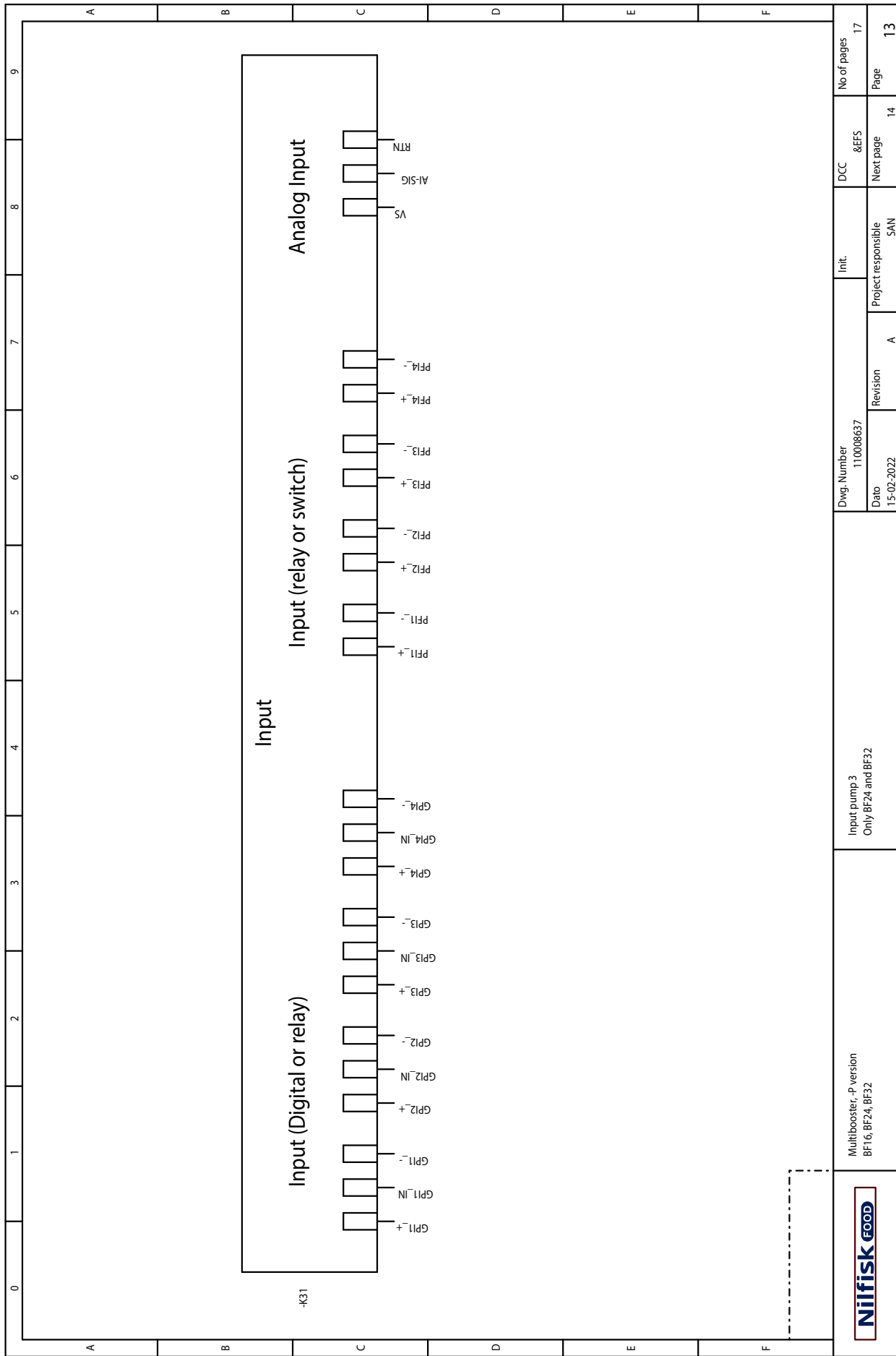
Date  
15-02-2022

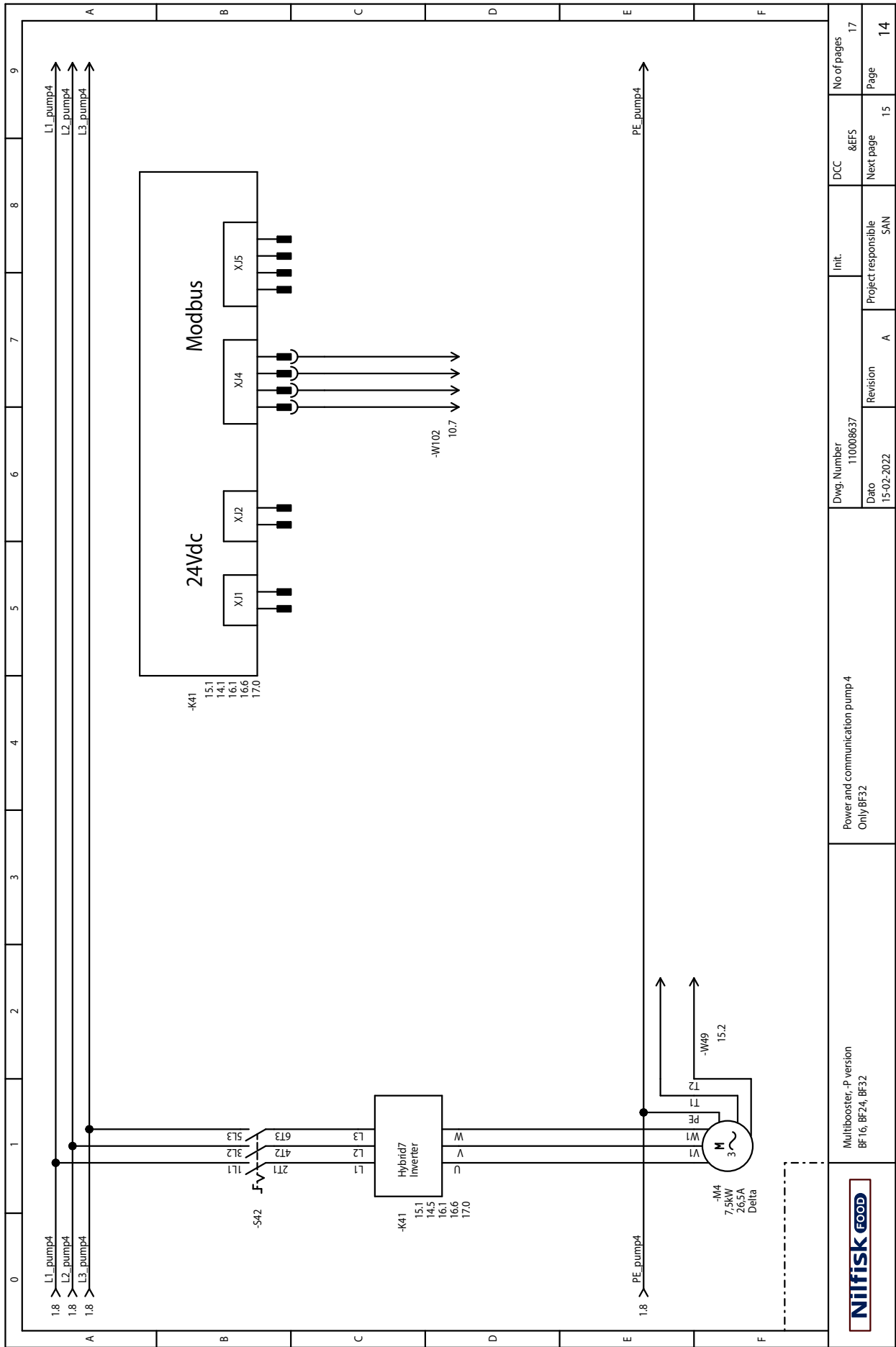
Next page  
12

Page  
11

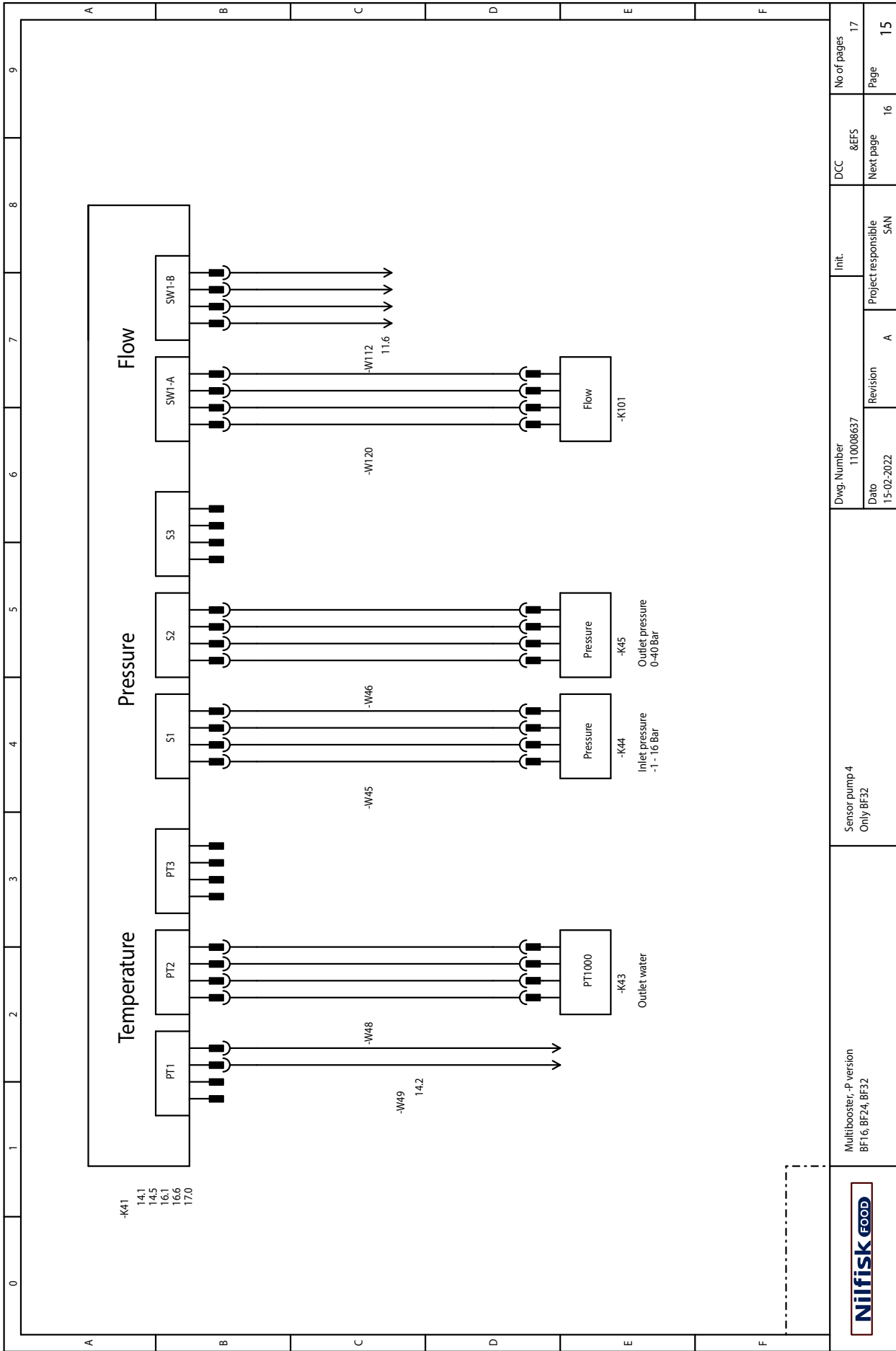


	Multi booster - P version BF16, BF24, BF32	Output & STO pump 3 Only BF24 and BF32	Dwg. Number 110008637	Init	DCC	No of pages
			Date 15-02-2022	Revision A	Project responsible SAN	Next page 13
						Page 12





	Multibooster, -P version BF16, BF24, BF32		Power and communication pump 4 Only BF32		Dwg. Number 110008637		DCC 8EFS		No of pages 17	
	Revision A		Project responsible SAN		Date 15-02-2022		Next page 15		Page 14	



Multibooster,-P version  
BF16, BF24, BF32

Sensor pump 4  
Only BF32

Dwg. Number  
110008637

Init.

DCC &EFS

No of pages  
17

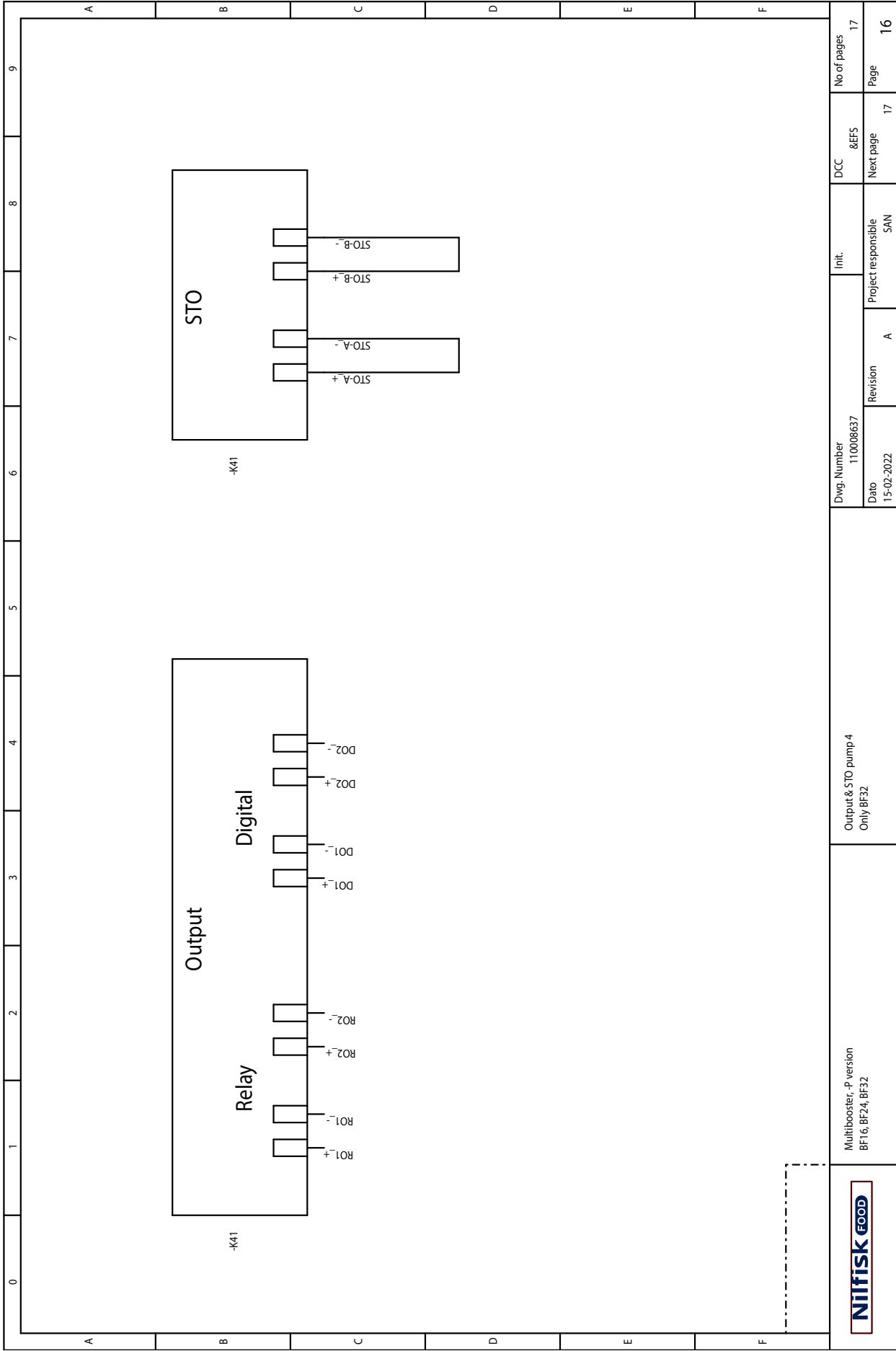
Project responsible  
SAN

Revision  
A

Next page  
16

Page  
15





Multi-booster, -P version  
BF16, BF24, BF32

Output & STO pump 4  
Only BF32

Dwg. Number  
11008637

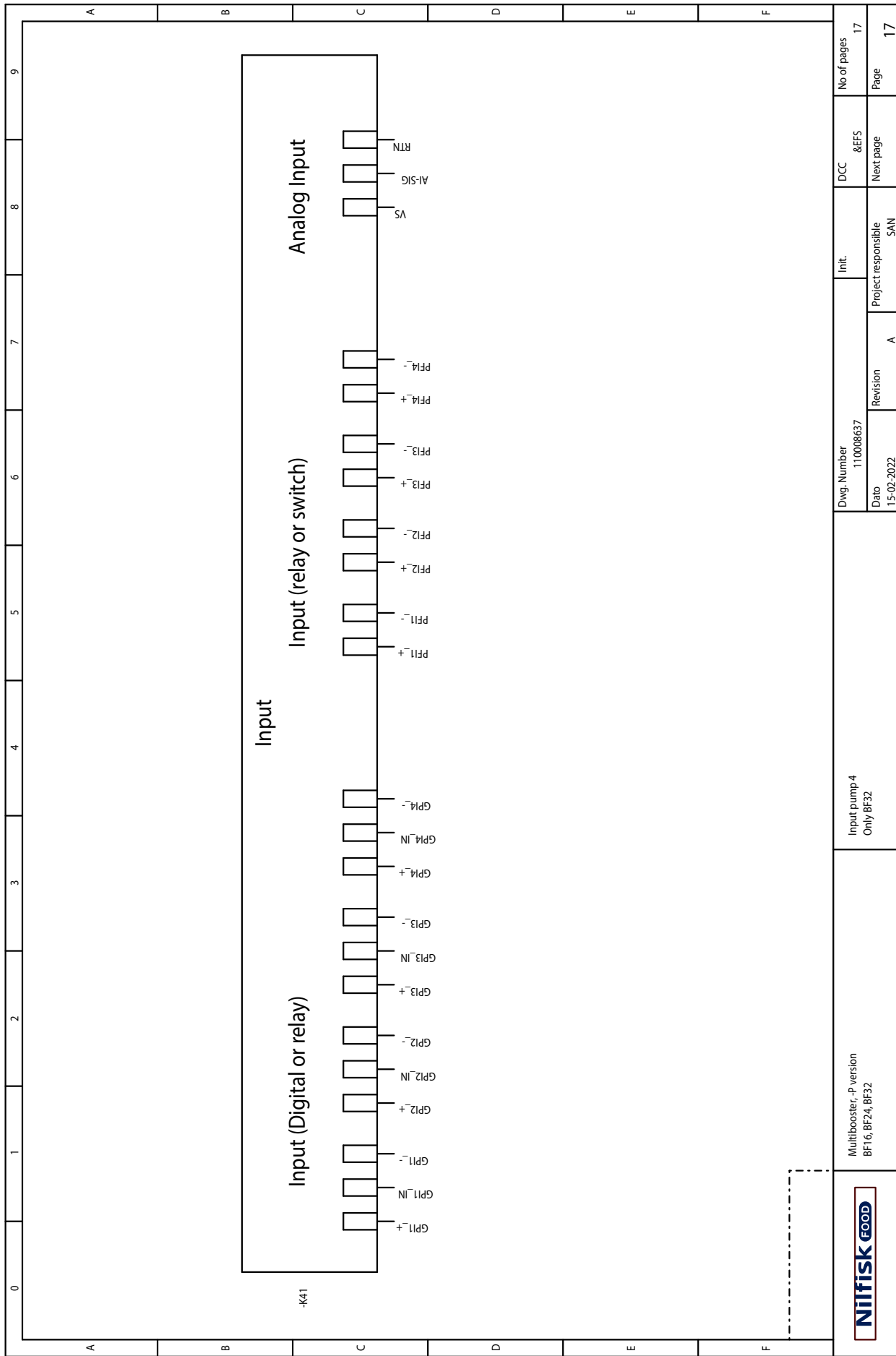
Init.  
Project responsible

DCC &EFS  
Next page

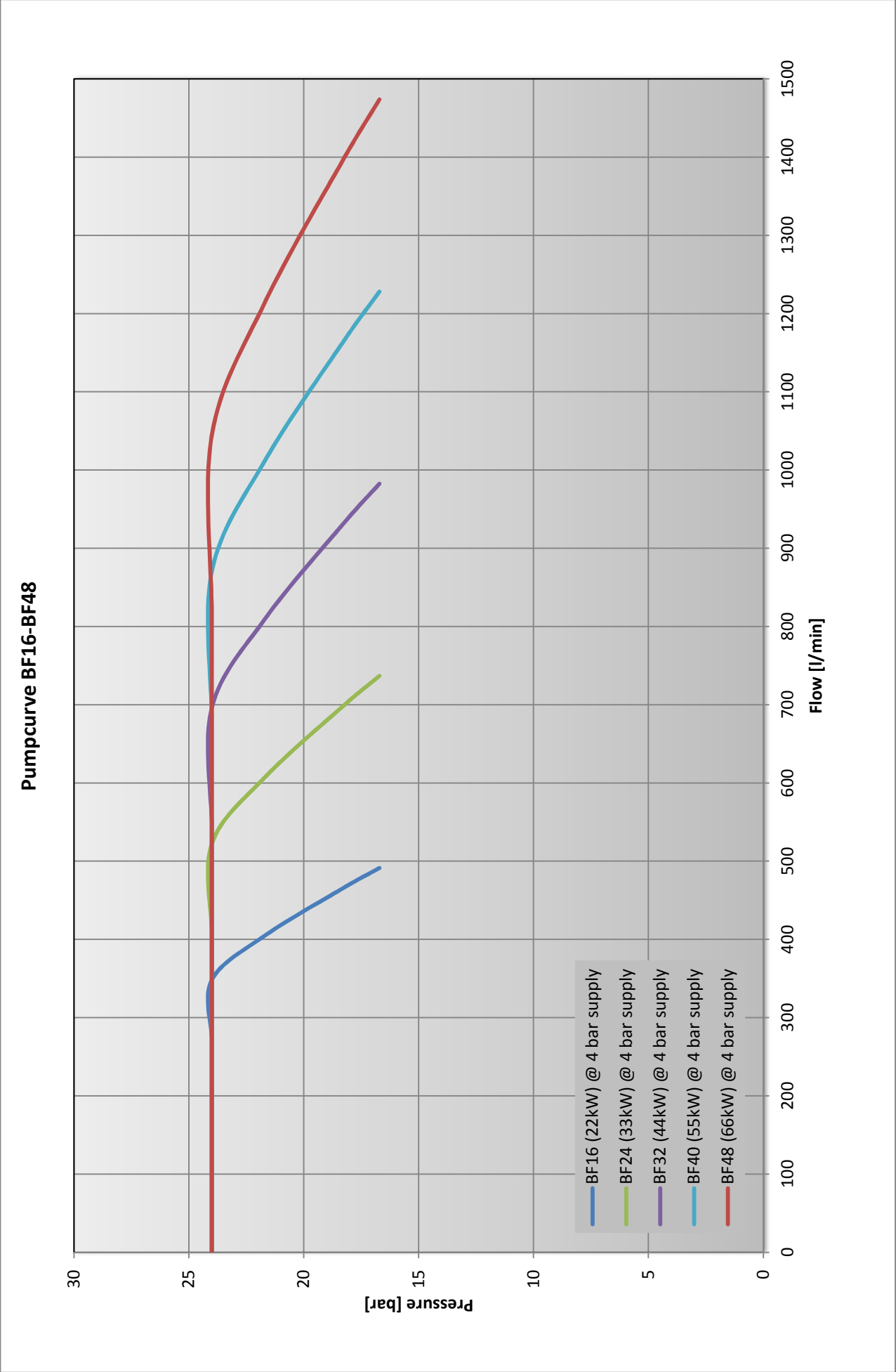
No of pages  
Page

17  
17

16  
16



10. Curva de la bomba



110000455

## 11. Declaración de Conformidad

### Hybrid-P, BF16, BF24, BF32, BF40, BF48

- Ⓔ Declaration of Conformity
- Ⓓ Konformitätserklärung
- Ⓕ Déclaration de Conformité
- Ⓘ Dichiarazione di Conformità
  
- Ⓔ Declaración de Conformidad
- Ⓗ Declaração de Conformidade
- Ⓔ Δήλωση Συμμόρφωσης
- Ⓖ Overeenkomstigheidsverklaring
- Ⓔ Försäkran om överensstämmelse
- Ⓕ Vaatimustenmukaisuusvakuutus
- Ⓓ Overensstemmelseserklæring
- Ⓗ Deklaracja zgodności
- Ⓔ Декларация о соответствии
- Ⓔ Megfelelőségi nyilatkozat
- Ⓔ Izjava o skladnosti
- Ⓔ Izjava o usklađenosti
- Ⓔ Deklaracija o konformitetu
- Ⓔ Declarație de Conformitate

**Nilfisk FOOD**  
**Blytækkervej 2**  
**9000 Aalborg**  
**Danmark**

**EN Declaration of Conformity**

We Nilfisk FOOD, declare under our sole responsibility that the products Hybrid-P BF16+, BF24+, BF32+, BF40+, BF48+, to which this declaration relates, are in conformity with these Council directives on the approximation of the laws of the EC member states:

Function: Pumping Station  
Model/Type: Hybrid-P BF16-2+, BF24-3+, BF32-4+, BF40-5+, BF48-6+.  
Serial number: All

Machinery Directive (2006/42/EC:2006-05-17).  
Standard used: EN 60335-2-41/A2:2010

EMC Directive (2004/108/EC:2004-12-15).  
Standard used: EN 55014-1/A1:2009 and EN 55014-2/A2:2008  
Standard used: EN 61000-3-2/A2:2009 and EN 61000-3-3:2008

**FR Déclaration de conformité**

Nous, Nilfisk FOOD, déclarons sous notre propre responsabilité que les produits Hybrid-P BF16+, BF24+, BF32+, BF40+, BF48+, auxquels se réfère cette déclaration, sont conformes à ces directives du Conseil sur le rapprochement des législations des États membres :

Fonction : Station de pompage  
Modèle/Type :  
Hybrid-P BF16-2+, BF24-3+, BF32-4+, BF40-5+, BF48-6+.  
Numéro de série : Tous

Directive 2006/42/CE du 17 mai 2006 relative aux machines  
Normes appliquées : EN 60335-2-41/A2:2010

Directive CEM (2004/108/CE:2004-12-15).  
Normes appliquées : EN 55014-1/A1:2009 et EN 55014-2/A2:2008  
Normes appliquées : EN 61000-3-2/A2:2009 et EN 61000-3-3:2008

**DE Konformitätserklärung**

Nilfisk FOOD, als alleinverantwortlich, erklären hiermit, dass: Hybrid-P BF16+, BF24+, BF32+, BF40+, BF48+, in Übereinstimmung mit den Richtlinien zur Angleichung der Rechtsvorschriften der Mitgliedstaaten ist:

Funktion: Pumpenstation  
Modell/Typ:  
Hybrid-P BF16-2+, BF24-3+, BF32-4+, BF40-5+, BF48-6+.  
Seriennummer: Alle

Maschinendirektive (2006/42/EC:2006-05-17).  
Standards: EN 60335-2-41/A2:2010

EMC Direktive (2004/108/EC:2004-12-15).  
Standards: EN 55014-1/A1:2009 og EN 55014-2/A2:2008  
Standards: EN 61000-3-2/A2:2009 og EN 61000-3-3:2008

**IT Dichiarazione di conformità**

Nilfisk FOOD dichiara sotto la sua esclusiva responsabilità che i prodotti Hybrid-P BF16+, BF24+, BF32+, BF40+, BF48+, ai quali fa riferimento la presente dichiarazione, sono conformi alle direttive del Consiglio concernenti il riavvicinamento delle legislazioni degli stati membri della UE:

Funzione: Stazione di pompaggio  
Modello/Tipo: Hybrid-P BF16-2+, BF24-3+, BF32-4+, BF40-5+, BF48-6+.  
Numero di serie: Tutti

Direttiva Macchine (2006/42/CE:2006-05-17).  
Standard utilizzato: EN 60335-2-41/A2:2010

Direttiva EMC (2004/108/CE:15.12.04).  
Standard utilizzato: EN 55014-1/A1:2009 ed EN 55014-2/A2:2008  
Standard utilizzato: EN 61000-3-2/A2:2009 ed EN 61000-3-3:2008

## **ES** Declaración de Conformidad

Nosotros, Nilfisk FOOD, declaramos bajo nuestra única responsabilidad que los productos Hybrid-P BF16+, BF24+, BF32+, BF40+, BF48+, a los que se refiere esta declaración cumplen con las directivas de este Consejo sobre la legislación de los estados miembros de la CE:

Función: Estación de bombeo  
Modelo/tipo:  
Hybrid-P BF16-2+, BF24-3+, BF32-4+, BF40-5+, BF48-6+.  
Número de serie: All

Directiva sobre máquinas (2006/42/EC:2006-05-17).  
Normativa usada: EN 60335-2-41/A2:2010

Directiva CEM (2004/108/EC:15.12.04).  
Normativa usada: EN 55014-1/A1:2009 y EN 55014-2/A2:2008  
Normativa usada: EN 61000-3-2/A2:2009 y EN 61000-3-3:2008

## **EL** Δήλωση Συμμόρφωσης

Εμείς η Nilfisk FOOD, δηλώνουμε υπό την αποκλειστική μας ευθύνη ότι τα προϊόντα Hybrid-P BF16+, BF24+, BF32+, BF40+, BF48+, με τον οποίο σχετίζεται αυτή η δήλωση, συμμορφώνονται με τις παρακάτω οδηγίες του συμβουλίου σχετικά με την προσέγγιση των νόμων των κρατών μελών της ΕΚ:

Λειτουργία: Σταθμός άντλησης  
Μοντέλο/Τύπος:  
Hybrid-P BF16-2+, BF24-3+, BF32-4+, BF40-5+, BF48-6+.  
Αριθμός σειράς: Όλοι

Οδηγία περί μηχανημάτων (2006/42/EC:2006-05-17).  
Χρησιμοποιούμενο πρότυπο: EN 60335-2-41/A2:2010

Οδηγία ΗΜΣ (2004/108/EC:15.12.04).  
Χρησιμοποιούμενο πρότυπο: EN 55014-1/A1:2009 και EN 55014-2/A2:2008  
Χρησιμοποιούμενο πρότυπο: EN 61000-3-2/A2:2009 και EN 61000-3-3:2008

## **SV** Försäkran om överensstämmelse

Vi Nilfisk FOOD, tillkännager, under eget ansvar, att produkterna Hybrid-P BF16+, BF24+, BF32+, BF40+, BF48+, som omfattas av denna försäkran, är i överensstämmelse med rådets direktiv om tillnärmning av medlemsstaternas lagstiftning i EG:

Funktion: Pumpstation  
Modell/typ:  
Hybrid-P BF16-2+, BF24-3+, BF32-4+, BF40-5+, BF48-6+.  
Serienummer: Alla

Maskindirektiv (2006/42/EC:2006-05-17).  
Standard som används: EN 60335-2-41/A2:2010

EMC-direktivet (2004/108/EG :2004-12-15).  
Standard som används: EN 55014-1/A1:2009 och EN 55014-2/A2:2008  
Standard som används: EN 61000-3-2/A2:2009 och EN 61000-3-3:2008

## **PT** Declaração de Conformidade

A Nilfisk FOOD declara, por sua exclusiva responsabilidade que os produtos Hybrid-P BF16+, BF24+, BF32+, BF40+, BF48+, referidos nesta declaração, se encontram em conformidade com estas diretivas do Conselho relativas à aproximação das disposições legislativas dos Estados-Membros da CE:

Função: Estação de bombagem  
Modelo/Tipo: Hybrid-P BF16-2+, BF24-3+, BF32-4+, BF40-5+, BF48-6+.  
Número de série: Todos

Diretiva relativa às máquinas (2006/42/CE:2006-05-17).  
Norma utilizada: EN 60335-2-41/A2:2010

Diretiva CEM (2004/108/CE:2004-12-15).  
Norma utilizada: EN 55014-1/A1:2009 e EN 55014-2/A2:2008  
Norma utilizada: EN 61000-3-2/A2:2009 e EN 61000-3-3:2008

## **NL** Overeenkomstigheidsverklaring

Wij, Nilfisk FOOD, verklaren geheel onder eigen verantwoordelijkheid dat de producten Hybrid-P BF16+, BF24+, BF32+, BF40+, BF48+, waarop deze verklaring betrekking heeft, in overeenstemming zijn met de volgende Richtlijnen van de Raad betreffende de onderlinge aanpassing van de wetgevingen van de EG-lidstaten:

Functie: Pompinstallatie  
Model/Type: Hybrid-P BF16-2+, BF24-3+, BF32-4+, BF40-5+, BF48-6+.  
Serienummer: Alle

Machinerichtlijn (2006/42/EG:17-05-2006).  
Toegepaste norm: EN 60335-2-41/A2:2010

EMC-richtlijn (2004/108/EG:15-12-2004).  
Toegepaste norm: EN 55014-1/A1:2009 en EN 55014-2/A2:2008  
Toegepaste norm: EN 61000-3-2/A2:2009 en EN 61000-3-3:2008

## **FI** Vaatimustenmukaisuusvakuutus

Me Nilfisk FOOD vakuutamme yksinomaisella vastuulla, että tuotteet Hybrid-P BF16+, BF24+, BF32+, BF40+, BF48+, jota tämä vakuutus koskee, noudattavat direktiivejä, jotka käsittelevät EY:n jäsenvaltioiden lakien yhdenmukaisuutta koskien seuraavia:

Toiminto: Pumpuasema  
Malli/tyyppi: Hybrid-P BF16-2+, BF24-3+, BF32-4+, BF40-5+, BF48-6+.  
Sarjanumero: Kaikki

Konedirektiivi (2006/42/EY:2006-05-17).  
Käytetty standardi: EN 60335-2-41/A2:2010

EMC-direktiivi (2004/108/EY:2004-12-15).  
Käytetty standardi: EN 55014-1/A1:2009 ja EN 55014-2/A2:2008  
Käytetty standardi: EN 61000-3-2/A2:2009 ja EN 61000-3-3:2008

## **DA** Overensstemmelseserklæring

Nilfisk FOOD, erklærer under eneansvar, at produktet: Hybrid-P BF16+, BF24+, BF32+, BF40+, BF48+, som denne erklæring vedrører, er i overensstemmelse med følgende direktiver om tilnærmelse af EU medlemslandenes love:

Function: Pumping Station

Model/Type:

Hybrid-P BF16-2+, BF24-3+, BF32-4+, BF40-5+, BF48-6+.

Serial number: All

Machinery Directive (2006/42/EC:2006-05-17).

Standard used: EN 60335-2-41/A2:2010

EMC Directive (2004/108/EC:2004-12-15).

Standard used: EN 55014-1/A1:2009 and EN 55014-2/A2:2008

Standard used: EN 61000-3-2/A2:2009 and EN 61000-3-3:2008

## **RU** Декларация о соответствии

Мы, Nilfisk FOOD, принимая на себя всю ответственность, заявляем, что продукты Усовершенствованная Hybrid-P BF16+, BF24+, BF32+, BF40+, BF48+, которых касается настоящая декларация, соответствуют данным директивам Совета о приблизительном соответствии законам стран-членов CE:

Функциональное назначение: Насосная станция

Модель/Тип:

Hybrid-P BF16-2+, BF24-3+, BF32-4+, BF40-5+, BF48-6+.

Серийный номер: все

Директива машин (2006/42/EC:17-05-2006).

Используемый стандарт: EN 60335-2-41/A2:2010

Директива ЭМС (2004/108/EC:15-12-2004).

Используемый стандарт: EN 55014-1/A1:2009 и EN 55014-2/A2:2008

Используемый стандарт: EN 61000-3-2/A2:2009 и EN 61000-3-3:2008

## **SL** Izjava o skladnosti

V Nilfisk FOODu s polno odgovornostjo izjavljamo, da so naši izdelki Hybrid-P BF16+, BF24+, BF32+, BF40+, BF48+, na katere se ta izjava nanaša, v skladu z naslednjimi direktivami Sveta o približevanju zakonodaje za izenačevanje pravnih predpisov držav članic ES:

Funkcija: Črpalna postaja

Model/Tip:

Hybrid-P BF16-2+, BF24-3+, BF32-4+, BF40-5+, BF48-6+.

Serijska številka: Vse

Direktiva o strojih (2006/42/EC:2006-05-17).

Uporabljeni standardi: EN 60335-2-41/A2:2010

Direktiva o elektromagnetni združljivosti (2004/108/EC:2004-12-15).

Uporabljeni standardi: EN 55014-1/A1:2009 and EN 55014-2/A2:2008

Uporabljeni standardi: EN 61000-3-2/A2:2009 and EN 61000-3-3:2008

## **PL** Deklaracja zgodności

Firma Nilfisk ALTO z pełną odpowiedzialnością oświadcza, że produkty Hybrid-P BF16+, BF24+, BF32+, BF40+, BF48+, których dotyczy ta deklaracja, spełniają wymogi poniższych dyrektywa Rady zgodnymi z prawem obowiązującym państwa członkowskie UE:

Funkcja: Stacja pompująca

Model/typ: Hybrid-P BF16-2+, BF24-3+, BF32-4+, BF40-5+, BF48-6+.

Numer seryjny: Wszystkie

Dyrektywa Maszynowa (2006/42/EC:2006-05-17).

Stosowana norma: EN 60335-2-41/A2:2010

Dyrektywa w sprawie kompatybilności elektromagnetycznej (2004/108/EC:15.12.04).

Stosowane normy: EN 55014-1/A1:2009 i EN 55014-2/A2:2008

Stosowane normy: EN 61000-3-2/A2:2009 i EN 61000-3-3:2008

## **HU** Megfelelőségi nyilatkozat

Mi, a Nilfisk FOOD, kizárólagos felelősségünk tudatában kijelentjük, hogy a Hybrid-P BF16+, BF24+, BF32+, BF40+, BF48+, amelyekre ez a nyilatkozat vonatkozik, megfelelnek az EU tagállamok törvényi rendelkezéseinek közzétételéről szóló tanácsi irányelveknek:

Funkció: Szivattyútelep

Modell/Típus: Hybrid-P BF16-2+, BF24-3+, BF32-4+, BF40-5+, BF48-6+.

Sorozatszám: Összes

Gépekre vonatkozó irányelv (2006/42/EC:2006-05-17).

Alkalmazott szabvány: EN 60335-2-41/A2:2010

EMC irányelv (2004/108/EC:2004-12-15).

Alkalmazott szabvány: EN 55014-1/A1:2009 és EN 55014-2/A2:2008

Alkalmazott szabvány: EN 61000-3-2/A2:2009 és EN 61000-3-3:2008

## **HR** Izjava o usklađenosti

Mi, Nilfisk FOOD, izjavljujemo pod vlastitom odgovornošću da je proizvod Hybrid-P BF16+, BF24+, BF32+, BF40+, BF48+, na koji se ova izjava odnosi, u skladu s direktivama ovog Vijeća o usklađivanju zakona država članica EU:

Funkcija: Pumpna postaja

Model/vrsta: Hybrid-P BF16-2+, BF24-3+, BF32-4+, BF40-5+, BF48-6+.

Serijski broj: Svi

Izjava o strojevima (2006/42/EC:2006-05-17).

Primijenjena norma: EN 60335-2-41/A2:2010

Izjava o elektromagnetskoj kompatibilnosti (2004/108/EC:2004-12-15).

Primijenjena norma: EN 55014-1/A1:2009 i EN 55014-2/A2:2008

Primijenjena norma: EN 61000-3-2/A2:2009 i EN 61000-3-3:2008

## **SR** Deklaracija o konformitetu

Mi, Nilfisk FOOD, izjavljujemo pod vlastitom odgovornošću da je proizvod Hybrid-P BF16+, BF24+, BF32+, BF40+, BF48+, na koji se ova izjava odnosi, u skladu sa direktivama, Saveta za usklađivanje zakona država članica EU:

Funkcija: Stanica za pumpanje

Model/tip:

Hybrid-P BF16-2+, BF24-3+, BF32-4+, BF40-5+, BF48-6+.

serijski broj: Kompletna

direktiva o mašinama (2006/42/EC:2006-05-17).

Primenjen standard: EN 60335-2-41/A2:2010

EMC direktiva (2004/108/EC:2004-12-15).

Primenjen standard: EN 55014-1/A1:2009 i EN 55014-2/A2:2008

Primenjen standard: EN 61000-3-2/A2:2009 i EN 61000-3-3:2008

## **RO** Declarație de Conformitate

Noi, Nilfisk FOOD, declarăm pe propria răspundere că produsele Hybrid-P BF16+, BF24+, BF32+, BF40+, BF48+, la care se referă această declarație, sunt în conformitate cu aceste Directive de Consiliu asupra armonizării legilor Statelor Membre CE:

Funcție: Stație de igienizare și de pompare

Model/Tip: Hybrid-P BF16-2+, BF24-3+, BF32-4+, BF40-5+, BF48-6+.

Număr de serie: toate

Directiva Mașini (2006/42/EC:2006-05-17).

Standarde utilizate: EN 60335-2-41/A2:2010

Directiva EMC (2004/108/EC:15.12.04).

Standarde utilizate: EN 55014-1/A1:2009 și EN 55014-2/A2:2008

Standarde utilizate: EN 61000-3-2/A2:2009 și EN 61000-3-3:2008

## **BG** Декларация за съответствие

Ние, фирма Nilfisk FOOD, заявяваме с пълна отговорност, че продуктите Hybrid-P BF16+, BF24+, BF32+, BF40+, BF48+, за които се отнася настоящата декларация, отговарят на следните указания на Съвета за уеднаквяване на правните разпоредби на държавите членки на ЕС:

Функция: Помпена станция

Модел/Тип:

Hybrid-P BF16-2+, BF24-3+, BF32-4+, BF40-5+, BF48-6+.

Сериен номер: Всички

Директива относно машините (2006/42/EO: 17.05.2006 г.).

Използван стандарт: EN 60335-2-41/A2:2010

Директива относно електромагнитната съвместимост (2004/108/EO: 15.12.2004 г.).

Използван стандарт: EN 55014-1/A1:2009 и EN 55014-2/A2:2008

Използван стандарт: EN 61000-3-2/A2:2009 и EN 61000-3-3:2008

## **SK** Prehlásenie o konformite

My firma Nilfisk FOOD prehlasujeme na svoju plnú zodpovednosť, že výrobky Hybrid-PBF16+, BF24+, BF32+, BF40+, BF48+, na ktoré sa toto prehlásenie vzťahuje, sú v súlade s ustanovením smernice Rady pre zblíženie právnych predpisov členských štátov Európskeho spoločenstva v oblastiach:

Funkcia: Čerpacia stanica

Model/typ:

Hybrid-P BF16-2+, BF24-3+, BF32-4+, BF40-5+, BF48-6+.

Sériové číslo: Všetky

Smernica o strojních zariadeniach (2006/42/ES: 17.5.2006).

Použitá norma: EN 60335-2-41/A2: 2010

Smernica o elektromagnetickej kompatibilite (2004/108/ES: 15.12.2004).

Použitá norma: EN 55014-1/A1: 2009 a EN 55014-2/A2: 2008

Použitá norma: EN 61000-3-2/A2: 2009 a EN 61000-3-3: 2008

## **CS** Prohlášení o shodě

My firma Nilfisk FOOD prohlašujeme na svou plnou odpovědnost, že výrobky Hybrid-P BF16+, BF24+, BF32+, BF40+, BF48+, na něž se toto prohlášení vztahuje, jsou v souladu s ustanoveními směrnice Rady pro sblížení právních předpisů členských států Evropského společenství v oblastech:

Funkce: Čerpací stanice

Model/Typ: Hybrid-P BF16-2+, BF24-3+, BF32-4+, BF40-5+, BF48-6+.

Výrobní číslo: Všechna

Směrnice o strojních zařízeních (2006/42/EC:2006-05-17).

Použitá norma: EN 60335-2-41/A2:2010

Směrnice EMC (2004/108/EC:2004-12-15).

Použitá norma: EN 55014-1/A1:2009 a EN 55014-2/A2:2008

Použitá norma: EN 61000-3-2/A2:2009 a EN 61000-3-3:2008

## **TR** Uygunluk Bildirgesi

Nilfisk FOOD olarak bu beyannameye konu olan Hybrid-P BF16+, BF24+, BF32+, BF40+, BF48+, ürünlerinin, AB Üyesi Ülkelerin kanunlarını birbirine yaklaştırma üzerine Konsey Direktifleriyle uyumlu olduğunu yalnızca bizim sorumluluğumuz altında olduğunu beyan ederiz:

Fonksiyon: Pompalama İstasyonu

Model/Tip:

Hybrid-P BF16-2+, BF24-3+, BF32-4+, BF40-5+, BF48-6+.

Seri numarası: Tümü

Makine Direktifi (2006/42/EC:2006-05-17).

Kullanılmış standartlar: EN 60335-2-41/A2:2010

EMC Direktifi (2004/108/EC:2004-12-15).

Kullanılmış standartlar: EN 55014-1/A1:2009 ve EN 55014-2/A2:2008

Kullanılmış standartlar: EN 61000-3-2/A2:2009 ve EN 61000-3-3:2008



## **ET** Vastavusdeklaratsioon

Meie, Nilfisk FOOD, deklareerime enda ainuvastutusel, et tooted Hybrid-P BF16+, BF24+, BF32+, BF40+, BF48+, mille kohta käesolev juhend käib, on vastavuses EÜ Nõukogu direktiividega EMÜ liikmesriikide seaduste ühitamise kohta, mis käsitlevad:

Funktsioon: Pumbajaam

Mudel/tüüp:

Hybrid-P BF16-2+, BF24-3+, BF32-4+, BF40-5+, BF48-6+.

Seerianumber: kõik

Masinaidirektiiv (2006/42/EÜ:2006-05-17).

Kasutatav standard: EN 60335-2-41/A2:2010

Elektromagnetilise ühilduvuse (EMC) direktiiv (2004/108/EÜ:2004-12-15).

Kasutatav standard: EN 55014-1/A1:2009 ja EN 55014-2/A2:2008

Kasutatav standard: EN 61000-3-2/A2:2009 ja EN 61000-3-3:2008

## **LT** Atitikties deklaracija

Mes, Nilfisk FOOD, su visa atsakomybe pareiškiame, kad gaminiai Hybrid-P BF16+, BF24+, BF32+, BF40+, BF48+, kuriems skirta ši deklaracija, atitinka šias Tarybos Direktyvas dėl Europos Ekonominės Bendrijos šalių narių įstatymų suderinimo:

Paskirtis: Pumpavimo terminalas

Modelis / tipas:

Hybrid-P BF16-2+, BF24-3+, BF32-4+, BF40-5+, BF48-6+.

Serijos numeris: visi

Mašinų direktyvą (2006/42/EB:2006-05-17),

taikytas standartas: EN 60335-2-41/A2:2010;

Elektromagnetinio suderinamumo direktyvą (2004/108/EB:2004-12-15),

taikytas standartas: EN 55014-1/A1:2009 ir EN 55014-2/A2:2008,

taikytas standartas: EN 61000-3-2/A2:2009 ir EN 61000-3-3:2008

## **LV** Paziņojums par atbilstību prasībām

Sabiedrība Nilfisk FOOD ar pilnu atbildību dara zināmu, ka produkti Hybrid-P BF16+, BF24+, BF32+, BF40+, BF48+, uz kuriem attiecas šis paziņojums, atbilst šādām Padomes direktīvām par tuvināšanos EK dalībvalstu likumdošanas normām:

Funkcija: Sūkņa stacija

Modelis/tips:

Hybrid-P BF16-2+, BF24-3+, BF32-4+, BF40-5+, BF48-6+.

Sērijas numurs: visi.

Mašīnu direktīva (2006/42/EK, 17.05.2006.)

Izmantotais standarts: EN 60335-2-41/A2:2010

Elektromagnētiskās savietojamības direktīva (2004/108/EK, 15.12.2004.)

Izmantotais standarts: EN 55014-1/A1:2009 un EN 55014-2/A2:2008

Izmantotais standarts: EN 61000-3-2/A2:2009 un EN 61000-3-3:2008

## **UK** Свідчення про відповідність вимогам

Компанія Nilfisk FOOD заявляє про свою виключну відповідальність за те, що продукти Hybrid-P BF16+, BF24+, BF32+, BF40+, BF48+, на які поширюється дана декларація, відповідають таким рекомендаціям Ради з уніфікації правових норм країн -членів ЕС:

Функція: Насосна станція

Модель/Тип: Hybrid-P BF16-2+, BF24-3+, BF32-4+, BF40-5+, BF48-6+.

Серійний номер: усі

Директива щодо машинного обладнання (2006/42/ЕС:2006-05-17).

Використаний стандарт: EN 60335-2-41/A2:2010

Директива щодо електромагнітної сумісності (2004/108/ЕС:2004-12-15).

Використаний стандарт: EN 55014-1/A1:2009 та EN 55014-2/A2:2008

Використаний стандарт: EN 61000-3-2/A2:2009 та EN 61000-3-3:2008

**Technical file responsible:**

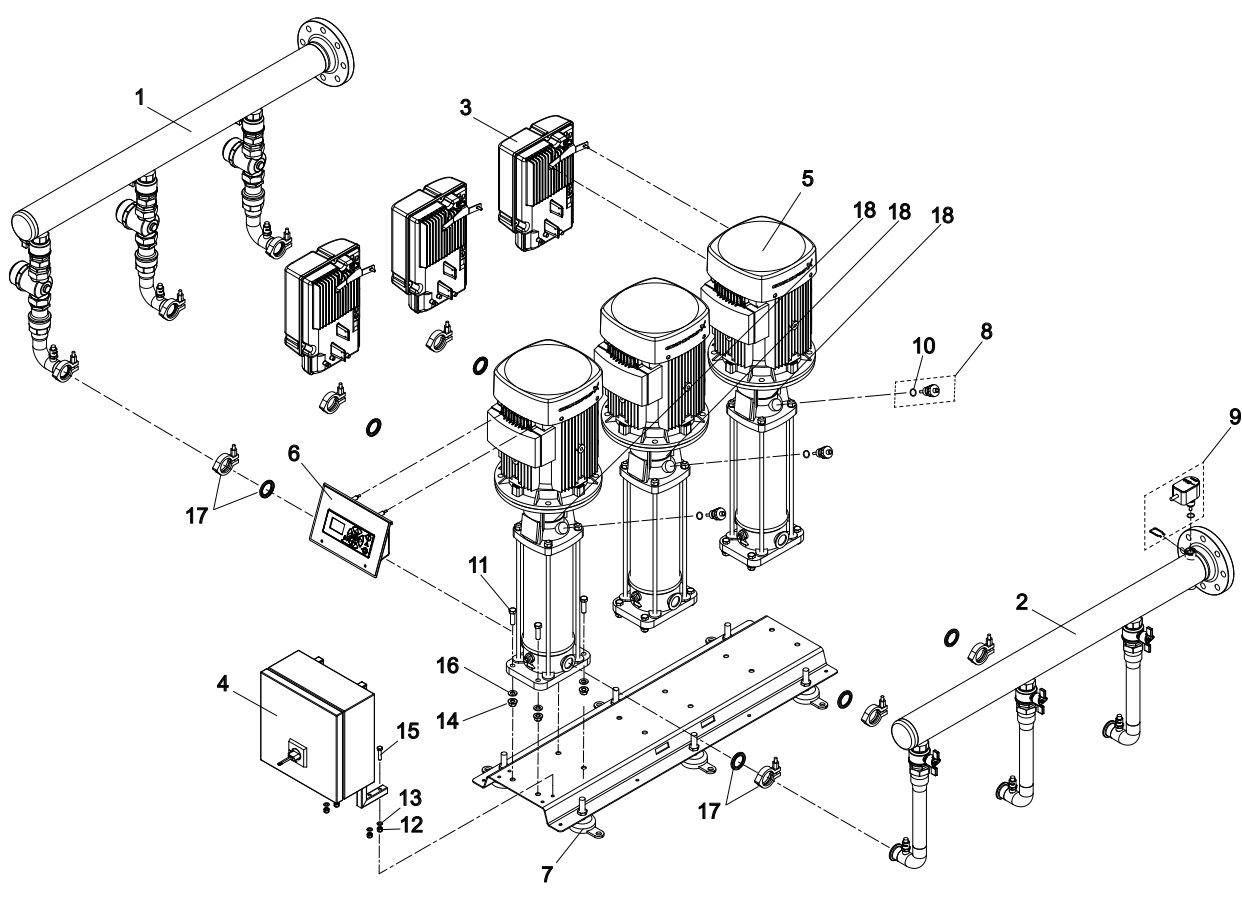
**Signature:**

Flemming Asp  
R & D Manager

Aalborg d. 11-05-2022

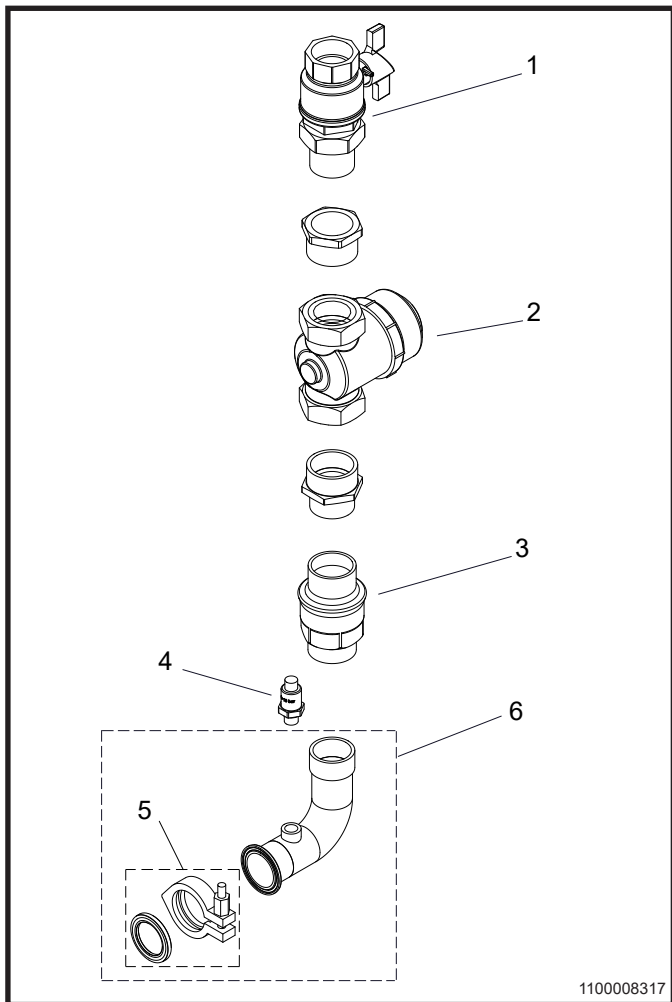
- ⓔ **Spare parts**
- ⓓ **Ersatzteile**
- ⓕ **Pièces détachées**
- ⓔ **Repuestos**



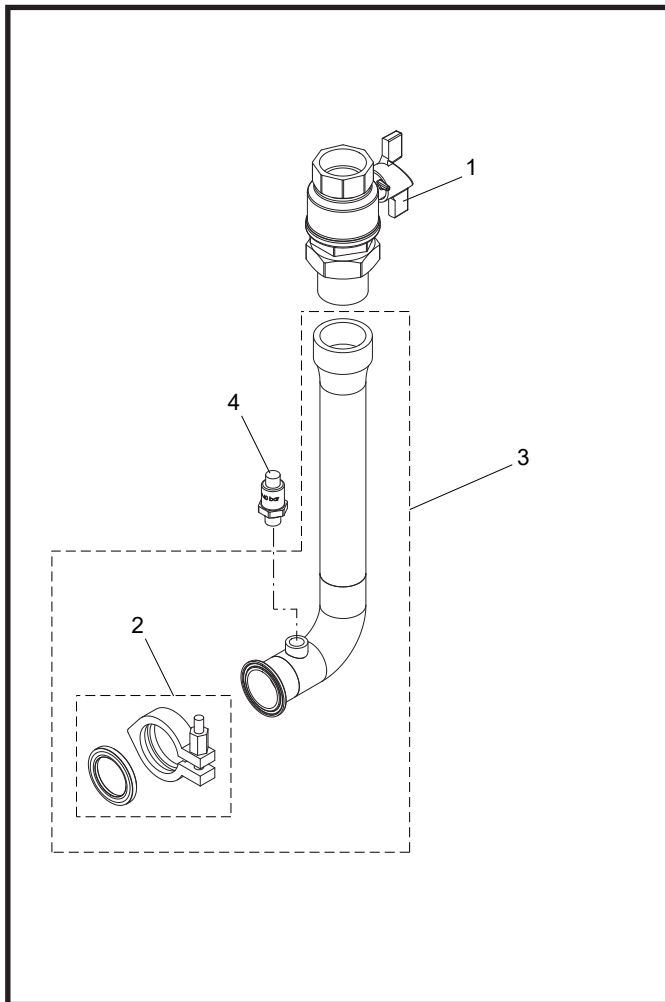


Pos./Ref.	Nr. No.	Description Beschreibung Couvercle, unité principale Descripción Betegnelse	BF16	BF24	BF32	BF40	BF48
1		Page 74 Inlet Seite 74 Einlass Page 74 Entrée Página 74 Entrada Side 74 Tilgang					
2		Page 74 Outlet Seite 74 Auslauf Page 74 Sortie Página 74 Salida Side 74 Afgang					
3	110008187	Controller Kit SteuerungsKit kit de contrôle equipo de control Styringskit					
4		Page 76 Seite 76 Page 76 Página 76 Side 76					
5	110007206	Pump Pumpe Pompe Bomba Pumpe	2	3	4	5	6
6		Page 75 Seite 75 Page 75 Página 75 Side 75					
7	110001855	Adjustable feet Maschinenfüsse Pieds réglables Pies ajustables Maskinsko	4	6	8	10	12
8	110004713	Pressure Sensor kit Druck-sensor Kit Sonde de depression kit Sensor de la presión kit Tryksensor kit	2	3	4	5	6
9	110001851	Flow-Sensor kit Strömungswächte Limiteur de débit Interruptor de flujo Flowswitch	1	1	1	1	1
10	110001462 (110008447)	O-ring kit O-Ring Kit joint torique junta tórica O-ring kit	2	3	4	5	6
11	110001842 (156704)	Screw kit for MB+ Schraubenkit für MB+ Kit de vis pour MB+ Kit de tornillos MB+ Skruer kit for MB+					
12	110001842 (156518)	Screw kit for MB+ (No tank control) Schraubenkit für MB+ (Ohne Tanksteuerung) Kit de vis pour MB+ (Pas de contrôle du réservoir) Kit de tornillos MB+ (No hay control del tanque) Skruer kit for MB+ (Uden tankstyring)	1	1	-	-	-
13	110001842 (156502)	Screw kit for MB+ (No tank control) Schraubenkit für MB+ (Ohne Tanksteuerung) Kit de vis pour MB+ (Pas de contrôle du réservoir) Kit de tornillos MB+ (No hay control del tanque) Skruer kit for MB+ (Uden tankstyring)	1	1	-	-	-
14	110001842 (321700)	Screw kit for MB+ Schraubenkit für MB+ Kit de vis pour MB+ Kit de tornillos MB+ Skruer kit for MB+					
15	110001842 (156504)	Screw kit Schrauben kit Kit de vis pour kit de tornillos Skruer kit					
16	110001842	Screw kit for MB+ Schraubenkit für MB+ Kit de vis pour MB+ Kit de tornillos MB+ Skruer kit for MB+	-	-	1	1	1
17	110005273 (156702)	Clamp kit Klemmenkit Kit de serrer Kit de abrazadera Klemme kit for	4	6	8	10	12
18	0634051	Shaft seal Wellendichtung Joint d'arbre Sello de cañón Akseltætning	2	3	4	5	6

Pos./Ref.	Nr. No.	Description Beschreibung Couvercle, unité principale Descripción Betegnelse	BF16	BF24	BF32	BF40	BF48

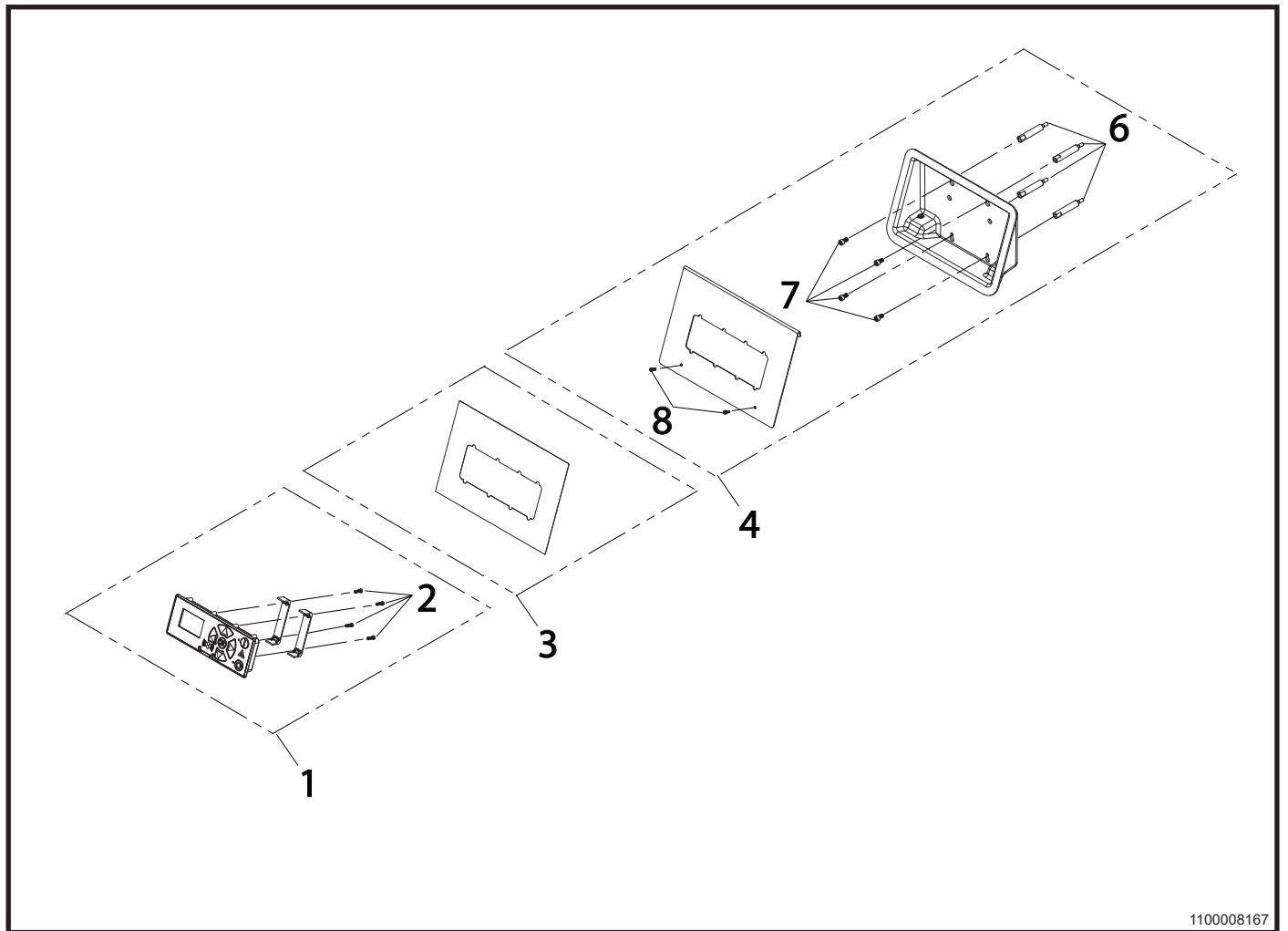


1100008317



!	Nr. No.	Description Beschreibung Couvercle, unité principale Descripción Betegnelse					
			BF16	BF24	BF32	BF40	BF48
1	110001846	<b>Ball Tap</b> Kugelhahn <b>Robinet à bille</b> Tapón esférico Kuglehane	2	3	4	5	6
2	110002172	<b>Strainer 800µ -&gt; 1500µ</b> Filter 800µ -> 1500µ <b>Tamis 800µ -&gt; 1500µ</b> Tamiz 800µ -> 1500µ Snavssamlar 800µ -> 1500µ	2	3	4	5	6
3	630900	<b>Non Return Valve</b> Rückschlagventil <b>Valve non de retour</b> Kontraventil Válvula no de vuelta	2	3	4	5	6
4	11000889	<b>Pressure Sensor 16 bar</b> Druck Sensor 16 bar <b>Sondet capteur 16 bar</b> Sensor sensor 16 bar Tryksensor 16 bar	2	3	4	5	6
5	110008316	<b>Clamp kit</b> Clamp Set <b>Kit de clamps</b> Kit de clamp <b>Clamp kit</b>					
6	110008326	<b>Inlet</b> Luftleinlauf <b>Admission</b> Entrada de aire <b>Tilgangsør</b>	2	3	4	5	6

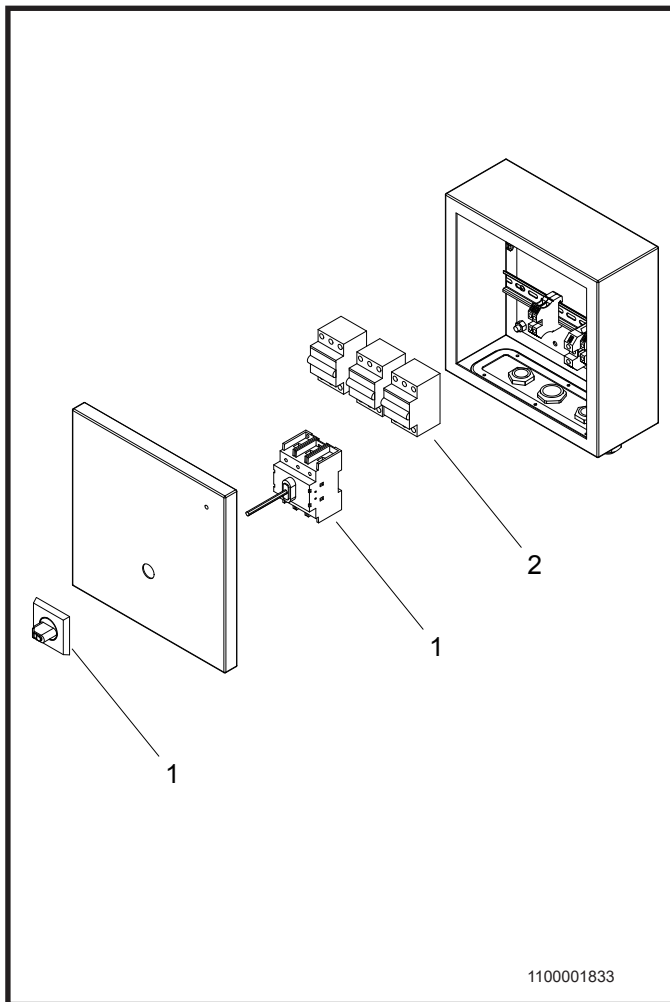
!	Nr. No.	Description Beschreibung Couvercle, unité principale Descripción Betegnelse					
			BF16	BF24	BF32	BF40	BF48
1	110001846	<b>Ball Tap</b> Kugelhahn <b>Robinet à bille</b> Tapón esférico Kuglehane	2	3	4	5	6
2	110008316	<b>Clamp kit</b> Clamp Set <b>Kit de clamps</b> Kit de clamp <b>Clamp kit</b>					
3	110008676	<b>Outlet pipe MB+ complett</b> Abgangsrohr MB+ Komplett <b>Conduit de sorti MB+ complet</b> Tubería de salida MB+ completa <b>Afgangsør MB+ komplet</b>	2	3	4	5	6
4	110000890	<b>Sensor 40 bar</b> Sensor 40bar <b>Captur 40 bar</b> Sensor 40 bar <b>Tryksensor 40 bar</b>					



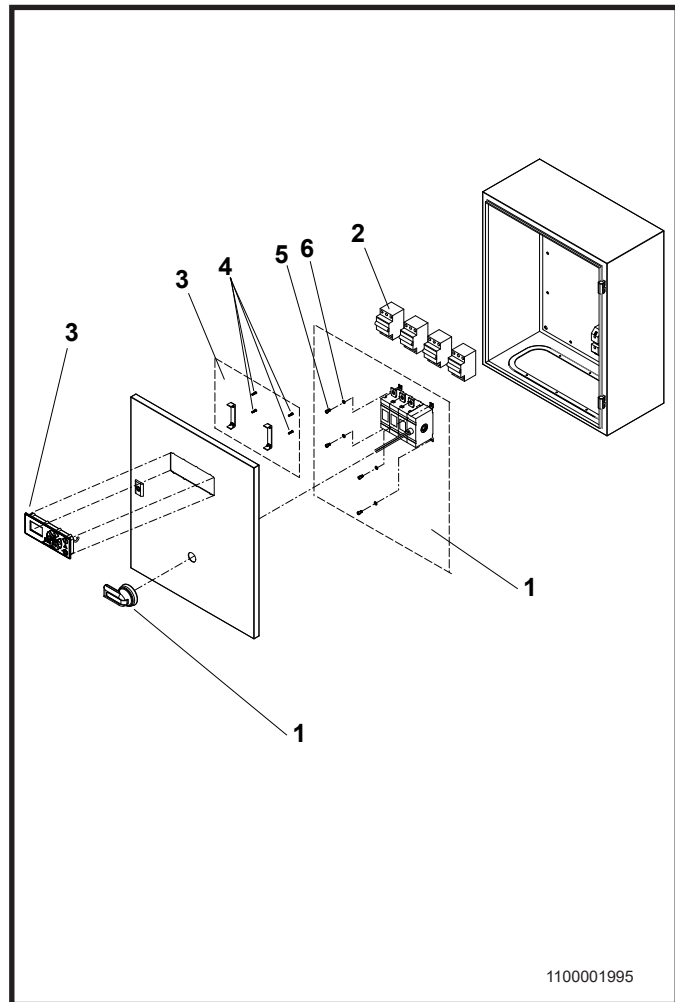
110008167

Pos./Ref.	Nr. No.	Description Beschreibung Couvercle, unité principale Descripción Betegnelse					
			BF16	BF24	BF32	BF40	BF48
1	110008189	Display complete Display komplett Afficheur complet Pantalla completa Display kpl.	1	1	1	1	1
2	110001842 (11000574)	Screw kit Schrauben Kit Kit de vis Juego de tornillos Skruerkit	1	1	-	-	-
3	110001468	Label kit MB+ Aufkleber Kitt MB+ Etiquette MB+ Etiqueta MB+ Label kit MB+	1	1	-	-	-
4	110008249	Frame, complete Rahmen, komplett Cadre, complet Marco, completo Ramme, komplet					
6	110001842 (110002003)	Screw kit Schraube Set Kit de Vis Kit de Tornillos Skruer kit					
7	110001842 (0600009)	Screw kit Screw kit Kit de Vis Kit de Tornillos Skruer kit					
8	110001842 (0602045)	Screw kit Screw kit Kit de Vis Kit de Tornillos Skruer kit					

Pos./Ref.	Nr. No.	Description Beschreibung Couvercle, unité principale Descripción Betegnelse					
			BF16	BF24	BF32	BF40	BF48



110001833



110001995

!	Nr. No.	Description Beschreibung Couvercle, unité principale Descripción Betegnelse	BF16	BF24	BF32	BF40	BF48
1	110001857	Switch Schalter Interrupteur Conmutador Afbryder	1	-	-	-	-
1	110001858	Switch Schalter Interrupteur Conmutador Afbryder	-	1	-	-	-
2	110001859	Automatic fuse Automatische Sicherung Fusible automatique Fusible automático Automatsikring	2	3			
	110001852	Electric cabinet complete BF16+ Elektrogehäuse komplett BF16+ Coffret d'Electric complet BF16+ Gabinete de Electric completo BF16+ Elskab kpl. BF16+					
	110001853	Electric cabinet complete BF24+ Elektrogehäuse komplett BF24+ Coffret d'Electric complet BF24+ Gabinete de Electric completo BF24+ Elskab kpl. BF24+					

!	Nr. No.	Description Beschreibung Couvercle, unité principale Descripción Betegnelse	BF16	BF24	BF32	BF40	BF48
1	110001862	Switch Schalter Interrupteur Conmutador Afbryder	-	-	1	1	1
2	110001859	Automatic fuse Automatische Sicherung Fusible automatique Fusible automático Automatsikring			4	5	6
3	110001841	Display complete Display komplett Afficheur complet Pantalla completa Display kpl.			1	1	1
4	110001842 (110000574)	Screw kit Adv+ Schraube Set Adv+ Kit de Vis Adv+ Kit de Tornillos Adv+ Skrue kit Adv+					
5	110001842 (0600009)	Screw kit Adv+ Schraube Set Adv+ Kit de Vis Adv+ Kit de Tornillos Adv+ Skrue kit Adv+					
6	110001842 (156302)	Screw kit Adv+ Schraube Set Adv+ Kit de Vis Adv+ Kit de Tornillos Adv+ Skrue kit Adv+					
	110001864	Electric cabinet complete BF32+ Elektrogehäuse komplett BF32+ Gabinete de Electric completo BF32+ Elskab kpl. BF32+					
	110001865	Electric cabinet complete BF40+ Elektrogehäuse komplett BF40+ Coffret d'Electric complet BF40+ Gabinete de Electric completo BF40+ Elskab kpl. BF40+					
	110001866	Electric cabinet complete BF48+ Elektrogehäuse komplett BF48+ Coffret d'Electric complet BF48+ Gabinete de Electric completo BF48+ Elskab kpl. BF48+					





Printed in Denmark

No.: 110008337D 04/2023  
Serial no.: 152.01.000XXX

**Nilfisk** **FOOD**