

Technical Data

Model	S 1000
Allowed operational pressure	25 bar
Max. operational pressure	25 bar
Variable water volume	10 – 100 l/min.
Max. air inlet pressure	10 bar
Max. temperature of inlet water	70°C
Rinsing nozzle	25/40
Disinfection nozzle	40/30
Foam nozzle	50/200
Max. hose length	30m
Weight	8,85 kg
Total dimension w x h x d	350 x 363 x 110 mm

14. Guarantee

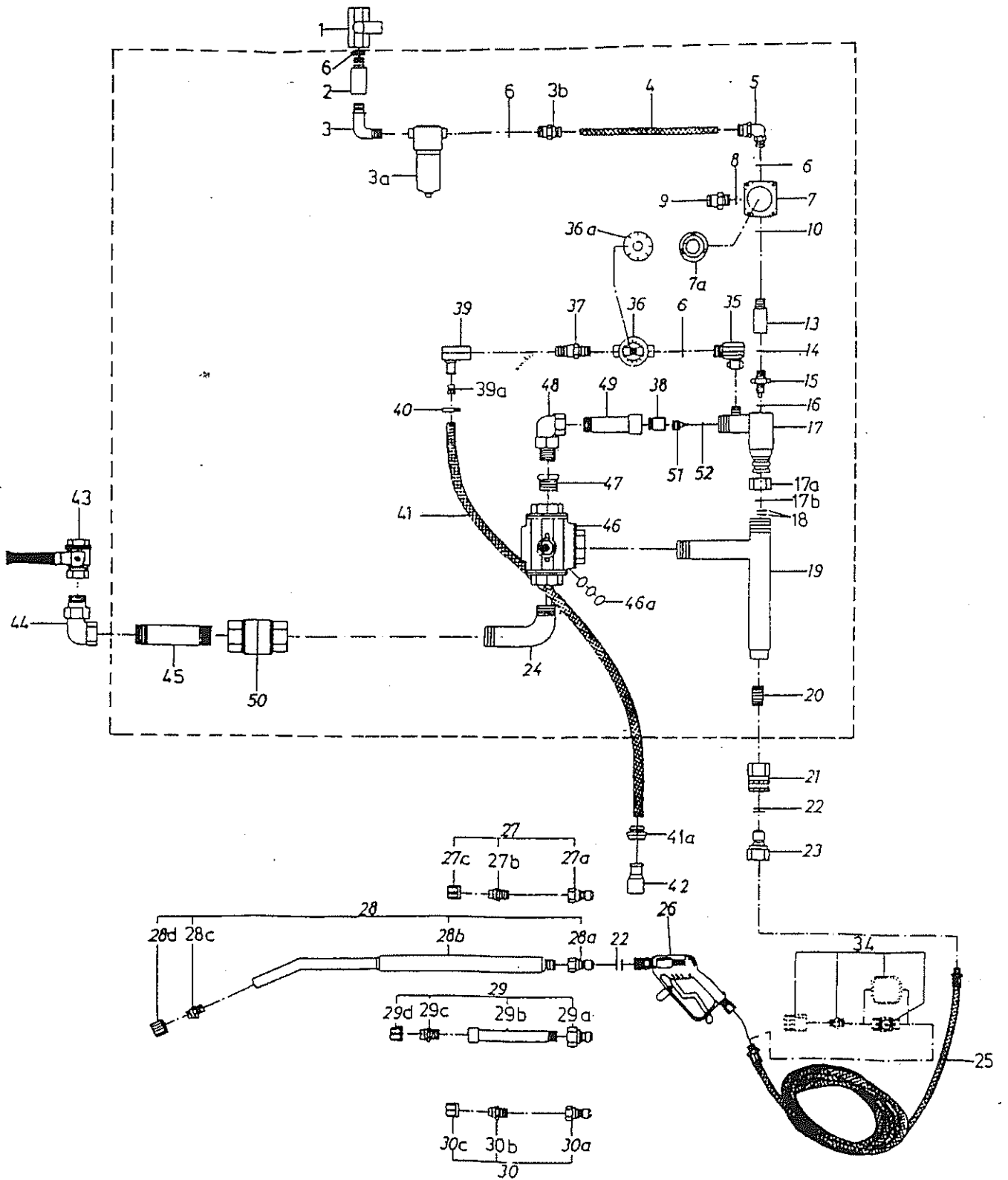
Your dealer guarantees for a period of 12 months from the day of delivery all parts which have demonstrably become unfit for use due to material defects, manufacturing defects or imperfect work. The guarantee will consist of reimbursement, replacement or repair of the defective or damaged part, at the dealer's option. Possible mounting costs and freight charge should always to be carried by the buyer. The defective parts are always the property of the dealer. Claims that may otherwise be raised for any legal reason will not be acknowledged. No liability will be accepted for damage occurred indirectly. The purchaser has no right to let any third party mend possible defects on our account.

All hoses, rubber parts or synthetic materials, natural wear as well as damage caused by careless and inappropriate treatment, including transport damage are not covered by the guarantee. Further, the guarantee does not apply if the machine has been subjected to frost. The guarantee compensation obligation disappears if changes or repairs are made by non-authorized persons. Claims under the guarantee will only be acknowledged when they are placed immediately after the covered defect has been observed. The guarantee ceases in case of change of ownership. The dealer cannot be held responsible for personal injury, damage to equipment, working deficits, including production loss, loss of profits, loss of stock for the like which may occur by imperfect and delayed delivery of the sold product, regardless of the reason, including manufacturing and material defects. Besides, please see our normal conditions of sale and delivery.

All rights reserved.

12.03.92

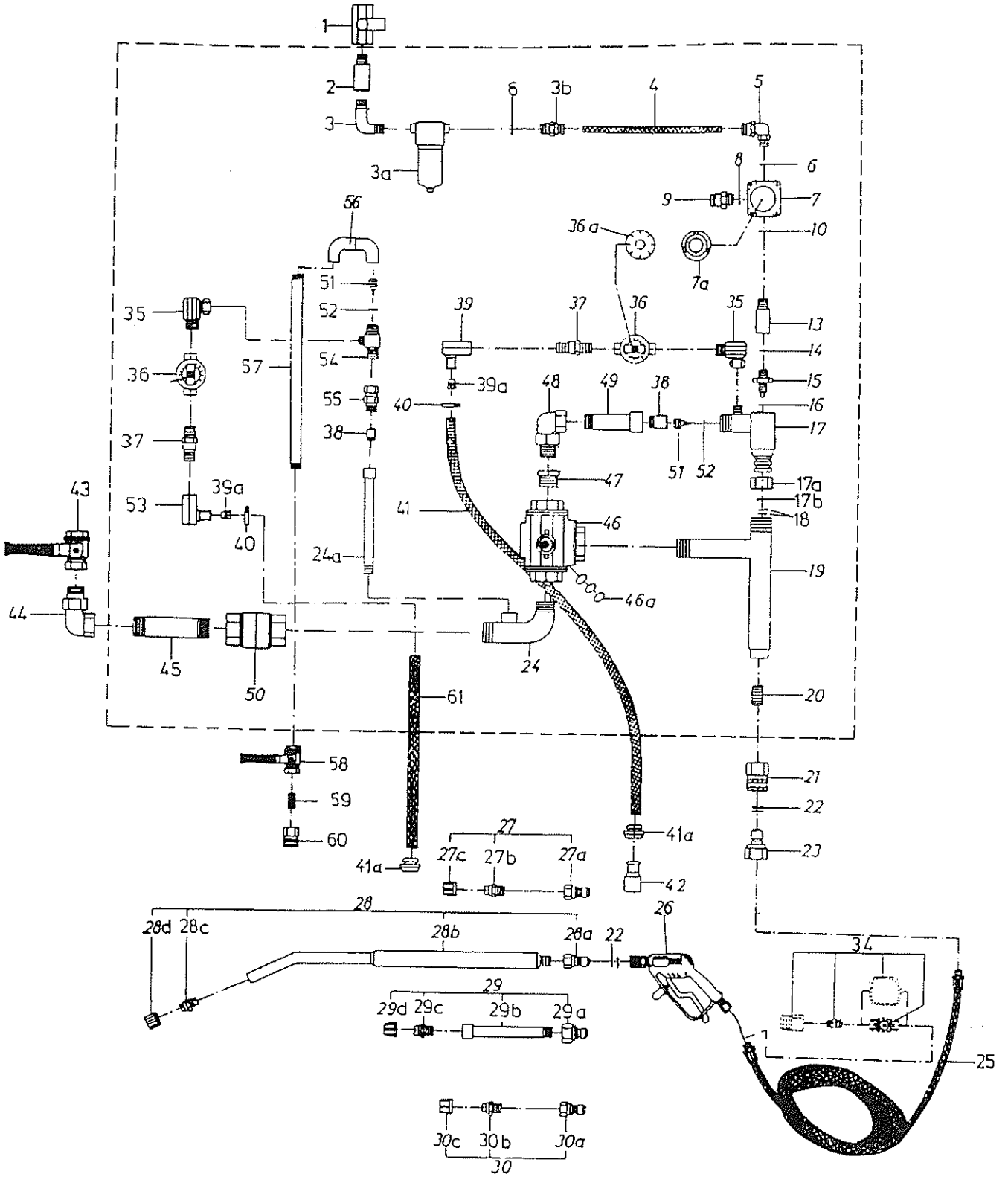
- 23a -



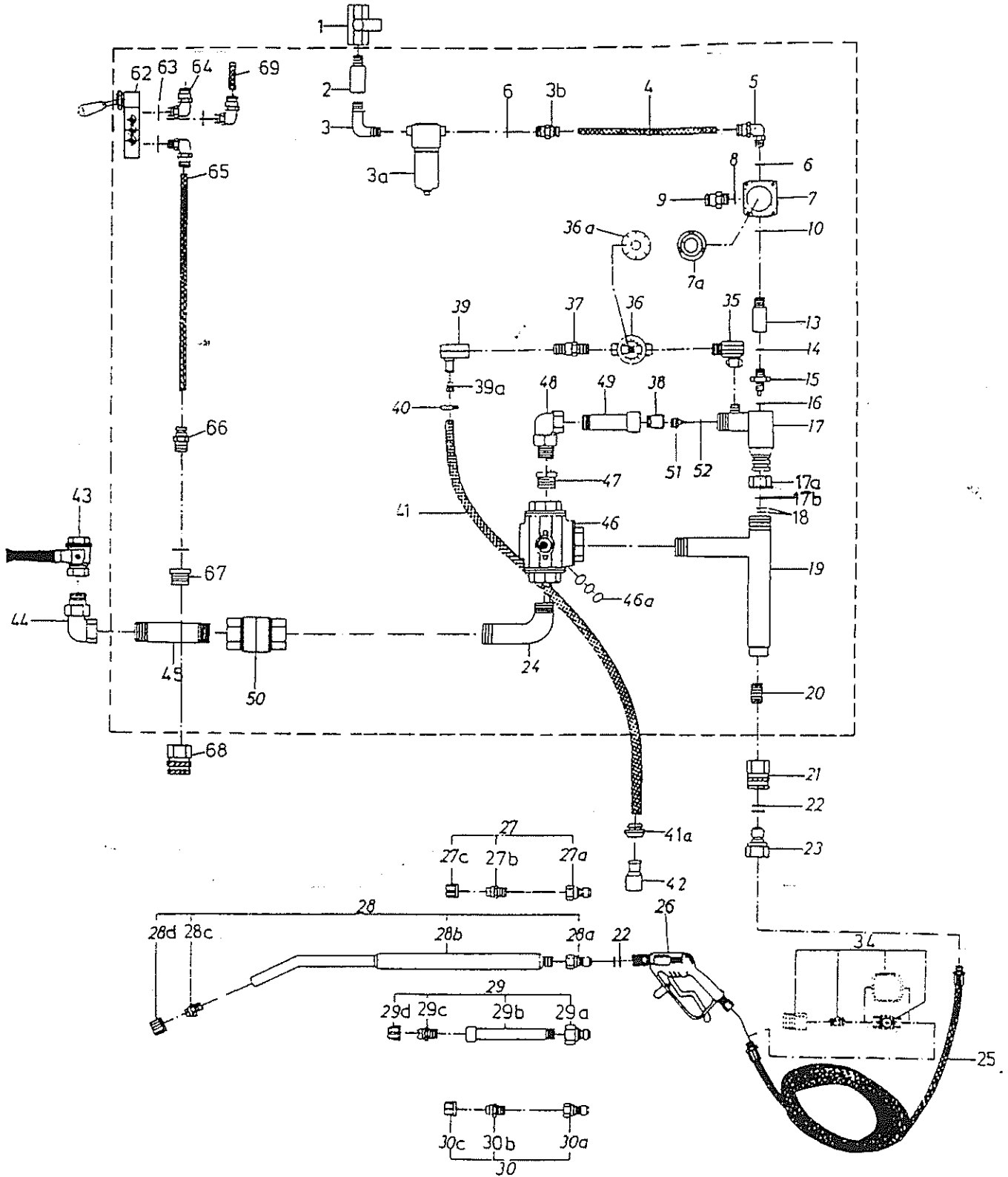
scania flow-equipment a/s

12.03.92

- 23b -



scania flow-equipment a/s



Pos. No.	Article No.	Description	No.
1	634000	1/4" closing valve for air	1
2	640000	1/4" SS non-return valve	1
3	633400	1/4" angle air fitting	1
3a	635600	Air filter	1
3b	639500	1/4" x 8 mm air fitting	1
4	635100	8 x 200 mm air hose	1
5	638500	1/4" x 8 mm air fitting (angle)	1
6	638100	1/4" packing	6
7	637000	1/4" reduction valve, complete	1
7a	637001	SS washer for valve with label	1
8	638200	1/8" packing	1
9	637500	1/8" x 8 mm air fitting	1
10	638100	1/4" packing	1
13	640000	1/4" SS non-return valve	1
14	638100	1/4" packing	1
15	640300	Air nozzle for injector (ø 2.0 mm)	1
16	639100	Packing for air nozzle	1
17	639600	Injector housing	1
17a	679800	Union for injector housing	1
17b	679700	Spring ring for injector housing	1
18	640600	O-ring for injector	2
19	641000	Pipe manifold outlet	1
20	641000	3/8" distance pipe	1
21	641600	3/8" SS Scanio coupling part, female	1
22	641100	O-ring set for Scanio coupling	1
23	641700	1/2" SS Scanio coupling part, male	1
24	604001	3/4" pipe manifold angle	1
24a	632600	1/2" distance pipe for disinfection 110 mm	1
25	671000*	10m Scanio hose	1
26	669700**	Spray gun with damping device complete	1

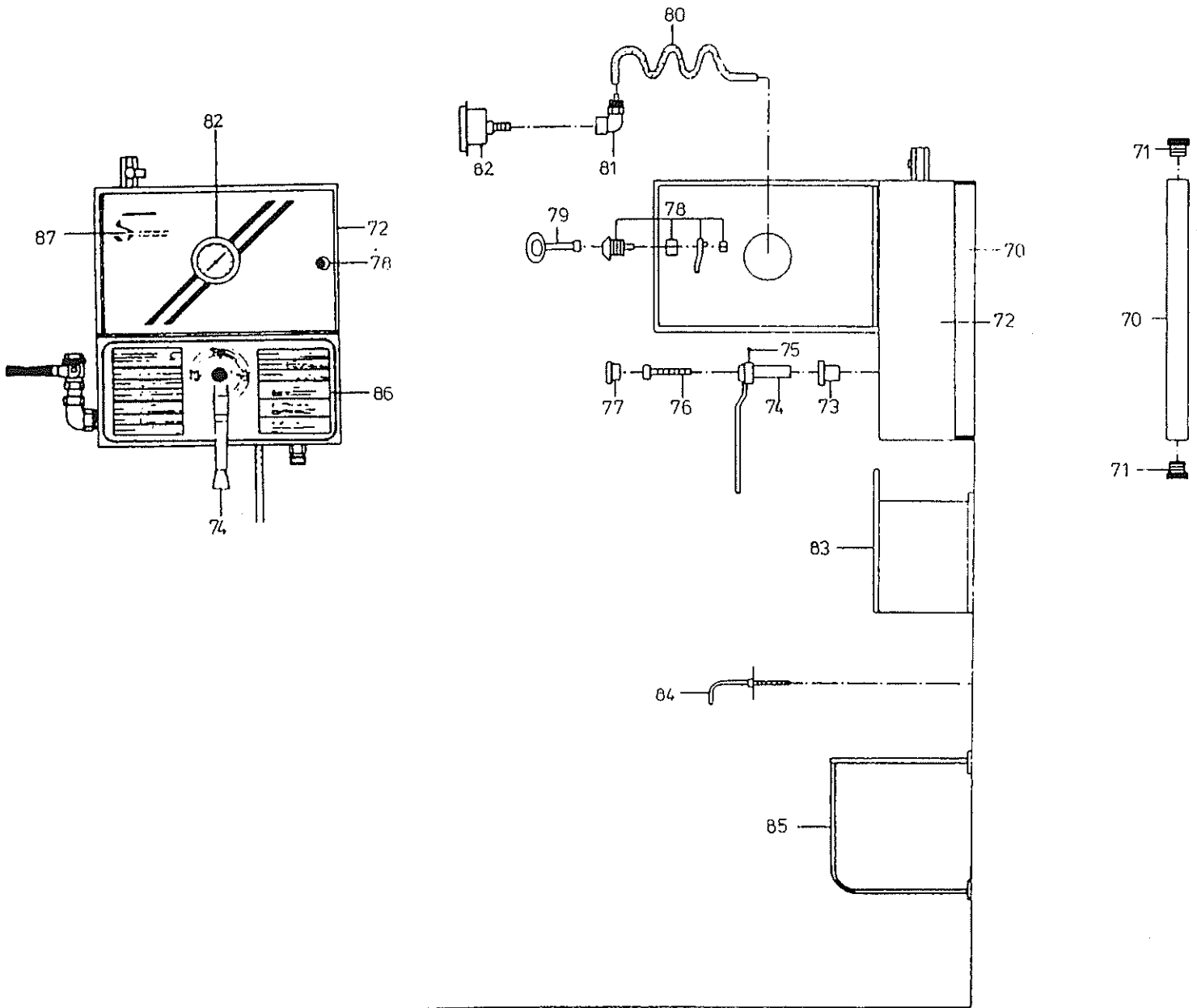
* Is another hose required, please see Scanio price list. ** Optional extra

Pos. No.	Article No.	Description	No.
27	642500	MS 25/40 Scanio flushing nozzle, complete	1
27a	641800	1/4" SS Scanio coupling part, male	1
27b	660500	MS 25/40 1/4" flushing nozzle	1
27c	666201	Nozzle protector (blue)	1
28	643600	MS 25/40 Scanio flushing pipe, 750 mm complete	1
28a	641800	1/4" SS Scanio coupling part, male	1
28b	673200	750 mm flushing pipe without accessories	1
28c	660500	MS 25/40 1/4" flushing nozzle	1
28d	666201	Nozzle protector (blue)	1
29	645600	MS 50/200 Scanio foam pipe, 250 mm, complete	1
29a	641700	1/2" SS Scanio coupling part, male	1
29b	673700	250 mm foam pipe without accessories	1
29c	662000	MS 50/200 1/2" foam nozzle	1
29d	666203	Nozzle protector (white)	1
30	646100	SS 40/30 Scanio disinfection nozzle, complete	1
30a	641800	1/4" SS Scanio coupling part, male	1
30b	663500	SS 40/30 1/4" disinfection nozzle	1
30c	666202	Nozzle protector (yellow)	1
34	669200**	1/2" Scanio low pressure valve	1
35	647300	1/4" SS angle with union nut	2
36	647804	1/4" SS dosing valve, complete	2
36a	647801	SS washer for dosing valve with label	2
37	648000	1/4" SS non-return valve	2
38	632400	SS non-return valve for pipe	2
39	647700	1/4" x 12.5 mm SS angle	1
39a	648602	Chemical economizer nozzle (See service information No. 32.)	2
40	648200	Hose clamp for hose	2

** Optional extra

<i>Pos. nr.</i>	<i>Article no.</i>	<i>Decription</i>	<i>No.</i>
41	648400	Hose for chemical	1
42	648600	Special suction strainer complete	1
43	600300	3/4" Ball valve	1
44	600200	3/4" Angle union	1
45	60400000	3/4" Inlet pipe	1
46	646600	3-way valve complete	1
46a	646601	Sealing ring set for 3-way valve	1
47	646800	1/2" x 3/4" Reduction nipple	1
48	647000	1/2" Angle union	1
49	632600	1/2" Distance pipe	1
50	600400	3/4" SS non-return valve	1
51	640401	Nozzle for cleaning chemicals (ø 2,0 mm)	2
52	640500	O-ring for nozzle	2
53	647703	1/4" x 12,5 mm SS angle for disinfection	1
54	639900	Special injector for disinfection	1
55	649300	1/2" Union	1
56	922400	3/8" SS angle, jap.	1
57	636800	3/8" Outlet pipe	1
58	636900	3/8" SS ball valve	1
59	641000	3/8" Distance pipe	1
60	641600	3/8" SS Scanio coupling part, female	1
61	648301	1800mm hose for chloride	1
62	640000	5 - Gate manual air valve	1
63	638300	1/4" Gasket	4
64	635500	1/4" x 8 mm Air fitting, quick realese (angle)	3
65	678000	8 mm x 154 mm Air hose	1
66	639500	1/4" x 8 mm Air fitting, quick realese	1
67	926900	1/4" x 3/8" Reductionsnipple	1
68	641600	1/2" SS Scanio coupling part, female	1
69	678002	8 mm x 330 mm Air hose	1

Pos. No.	Article No.	Description	No.
66	639500	1/4" x 8 mm air fitting, quick release	1
66a	638100	1/4" packing	1
67	926900	1/4" x 3/8" reduction nipple	1
68	641600	3/8" SS Scania coupling part, female	1
69	678002	8 mm x 330 mm air hose	1



Pos. no.	Order no.	Description	No.
70	651400	Wall bracket	1
71	650000	Plastic knob for wall bracket	1
72	651000	Cabinet	1
73	658200	Plastic guide	1
74	651700	Adjusting handle	1
75	658400	5 mm plastic knob for adjusting handle	1
76	651701	Screw for adjusting handle	1
77	658600	Plastic cover for bolt	1
78	651800	Lock for cabinet door	1
79	652000	Key for lock	1
80	635100	8 mm air hose	1
81	634900	1/4" x 8 mm quick coupling for air (angle)	1
82	658700	Pressure gauge for air	1
83	652400	Hose holder	1
84	652600	Can holder 5 l	1
85	653000	Can holder 25 l (300 x 400 mm*)	1
86	656600	Lable for operation DK/D/GB	1
87	654200	Label	1

*For further requirements please see SCANIO price list

EU Declaration of Conformity

Manufacturer:

Company Name: Scanio Flow-Equipment
Address: Blytækervej 2
9100 Aalborg
Danmark
Tel.: 98166455

hereby declare that

Machine:

Name: SCANIO FLOW-EQUIPMENT
Type: S 1000
Year: 1996

- is in conformity with:

the COUNCIL DIRECTIVE of 14 June 1989 on mutual approximation of the laws of the Member States on the safety of machines (89/392/EEC as amended by directives 91/368/EEC, 93/44/EEC and 93/68/EEC) with special reference to Annex 1 of the Directive on essential safety and health requirements in relation to the construction and manufacture of machines.

- COUNCIL DIRECTIVE of 3 May 1989 on the approximation of the laws of the Member States relating to electromagnetic compatibility (89/336/EEC)

- COUNCIL DIRECTIVE of 19 February 1973 on the harmonization of the laws of Member States relating to electrical equipment designed for use within certain voltage limits (73/23/EEC)

was manufactured in conformity with the following national standards that implements a harmonised standard in accordance with Article 5 (2):

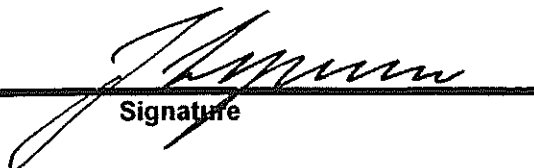
EN 292-1
Basic terminology, methodology
EN 292-2
Technical principles and specification
EN 60204-1
Safety of Machinery. Electrical requirements of machines

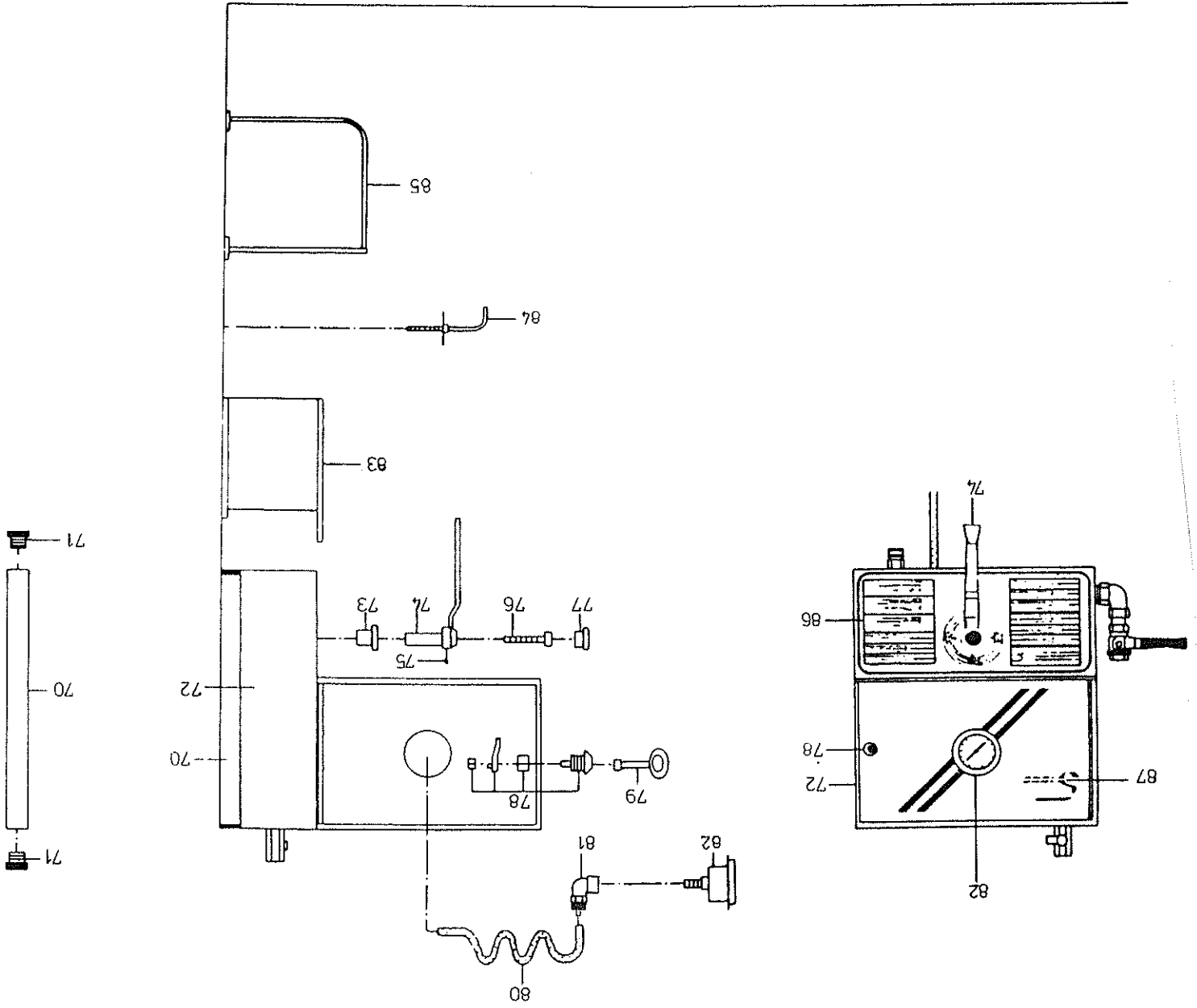
John Holm Espersen

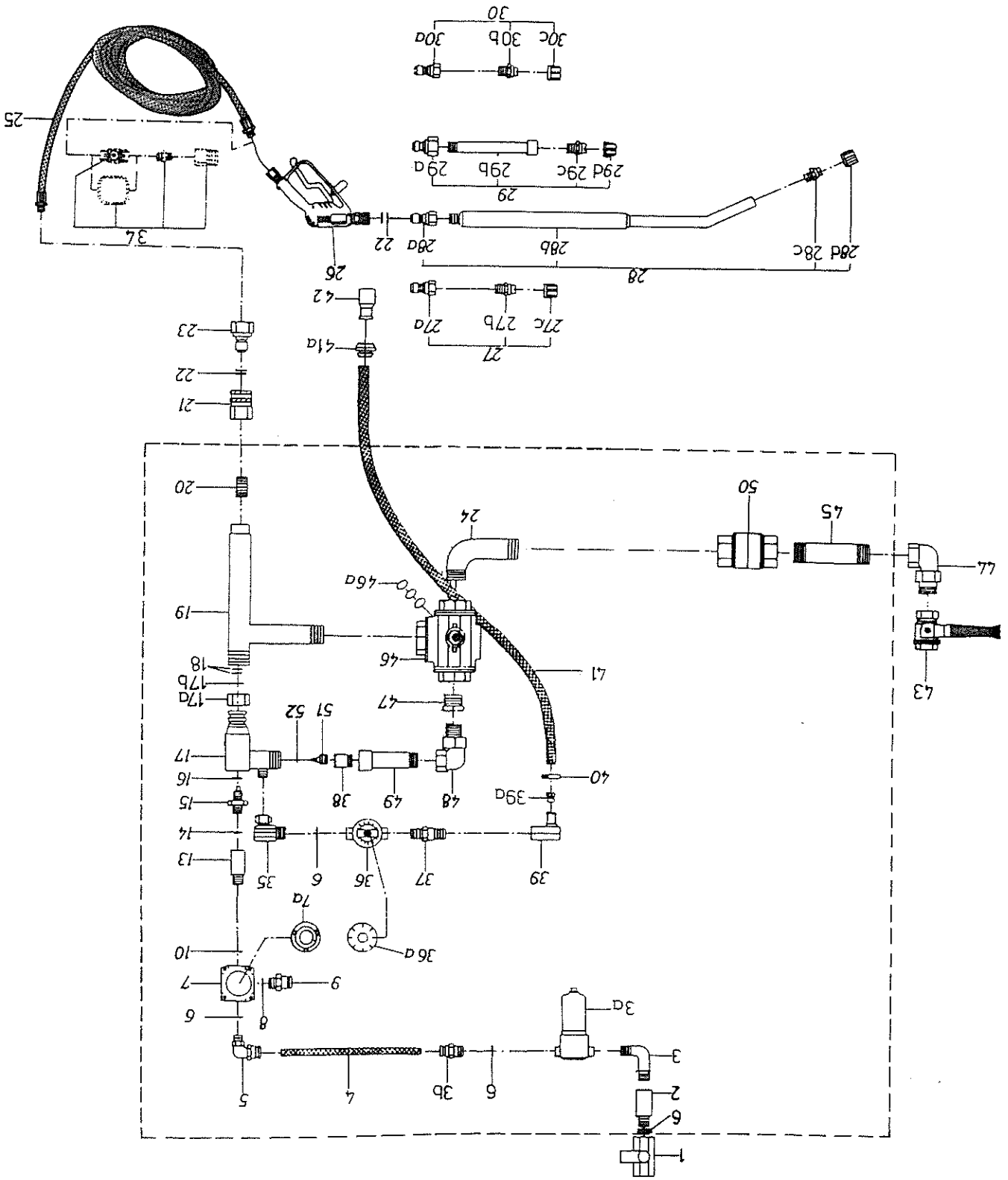
22/10/1996

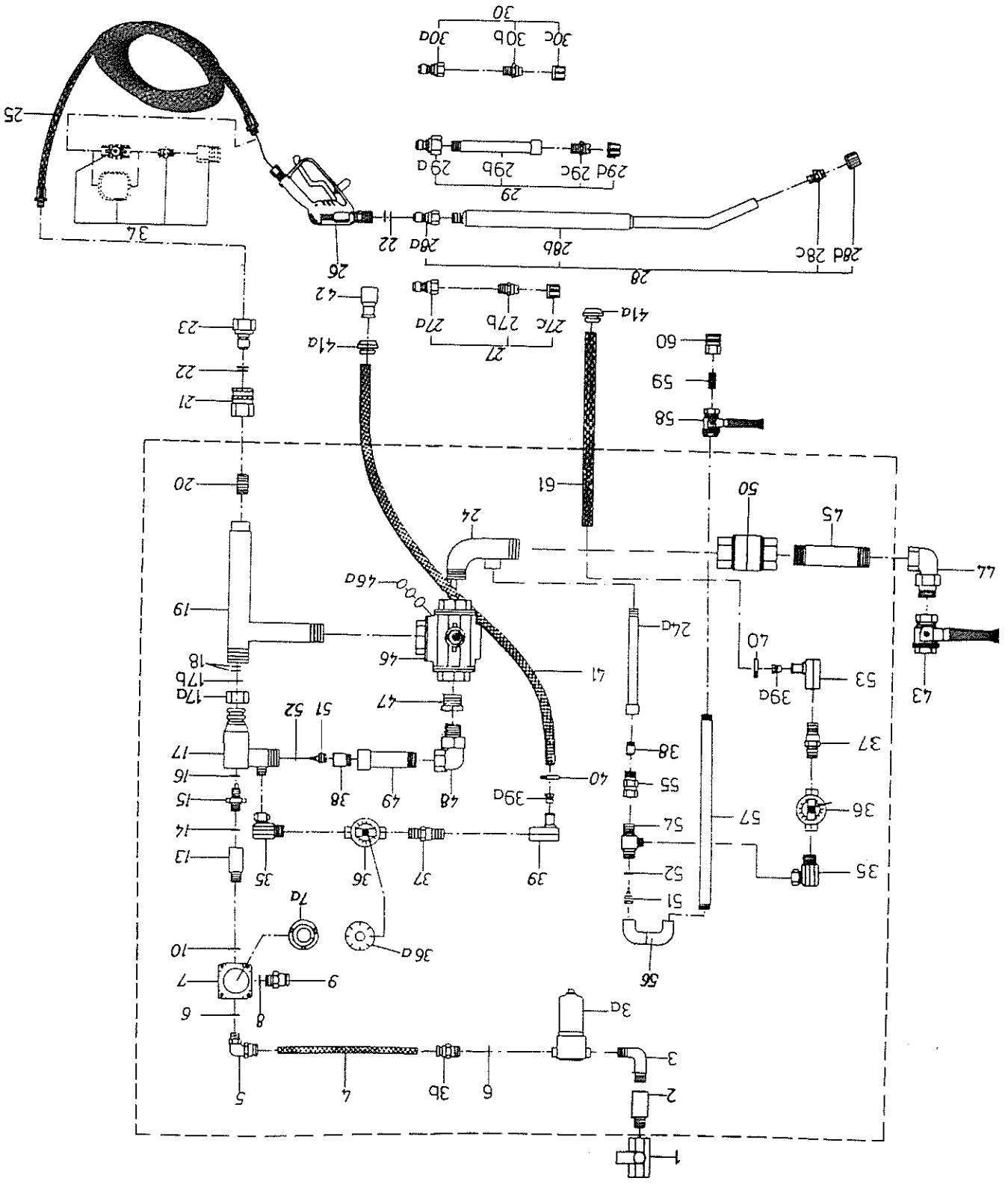
Date

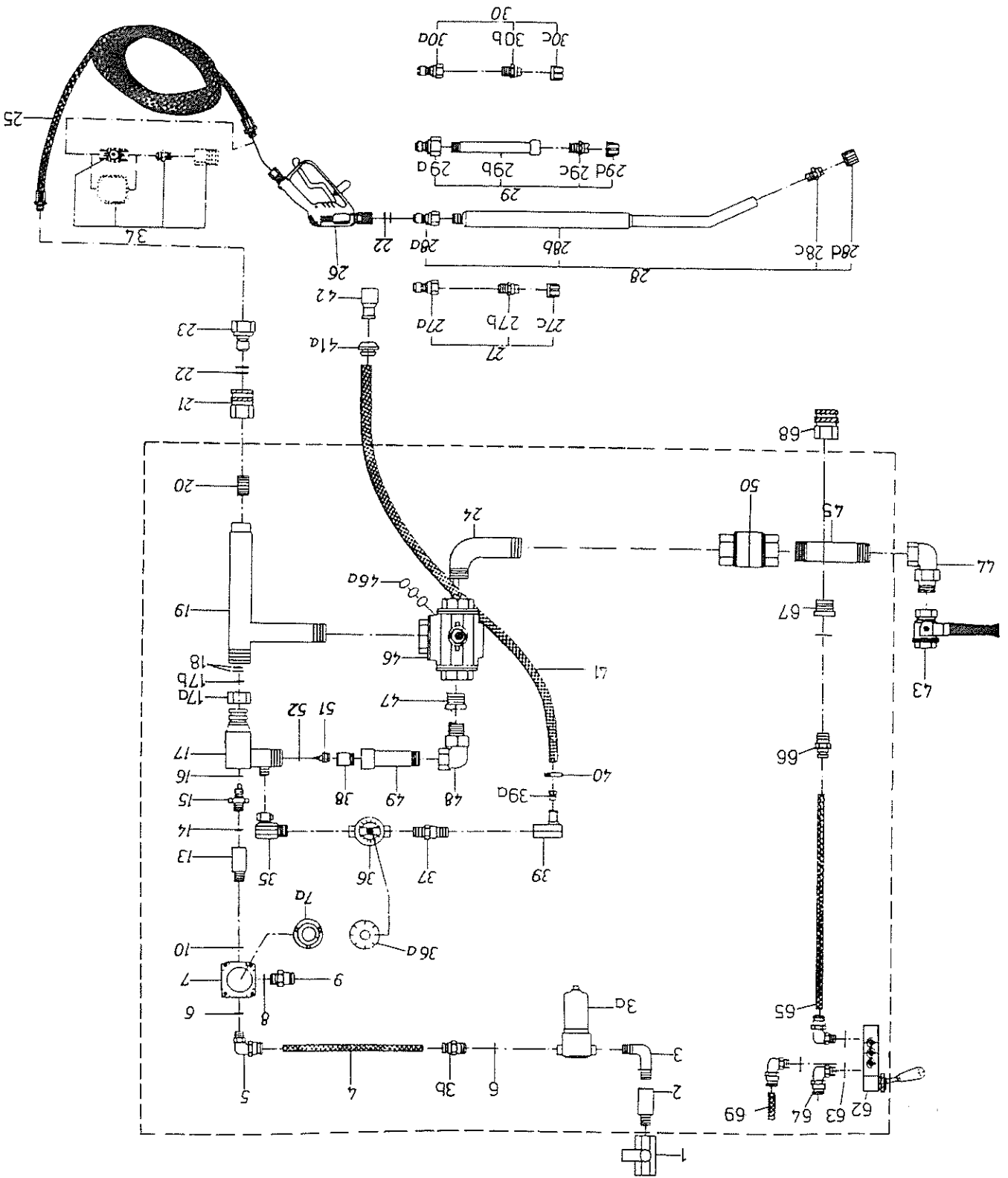
Signature



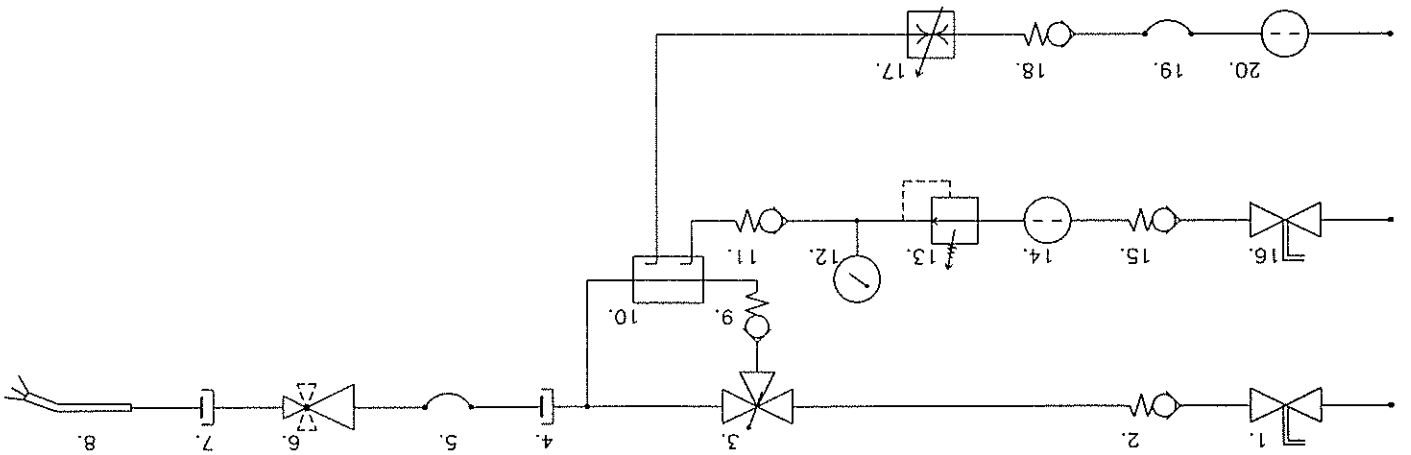






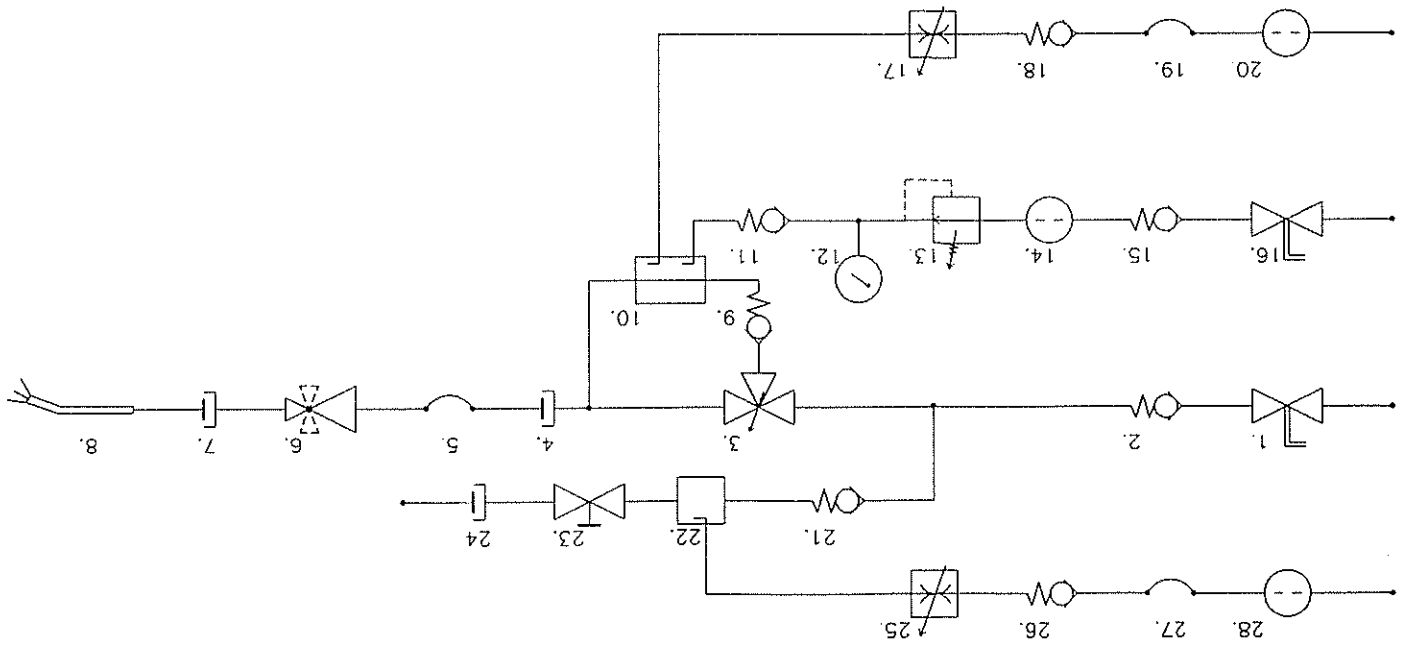


11. Flow Diagram
S 1000



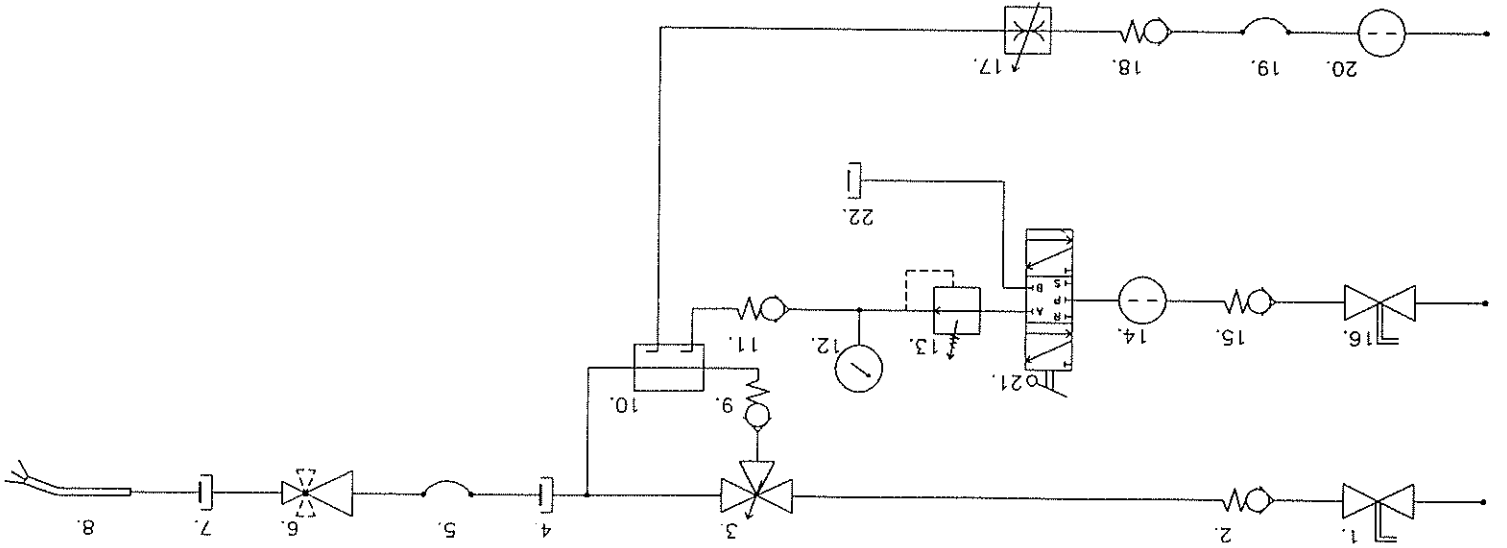
- | | | | |
|-----|-----------------------------------|-----|------------------|
| 1. | Closing valve | 11. | Non-return valve |
| 2. | Non-return valve | 12. | Pressure gauge |
| 3. | 3-way valve | 13. | Reduction valve |
| 4. | Scanio couplings | 14. | Filter |
| 5. | Hose connection | 15. | Non-return valve |
| 6. | Low-pressure spray gun | 16. | Closing valve |
| 7. | Scanio couplings | 17. | Dosing valve |
| 8. | Outlet: Foam-rinsing-disinfection | 18. | Non-return valve |
| 9. | Non-return valve | 19. | Hose connection |
| 10. | Injector | 20. | Filter |

11. Flow Diagram
S 1000D



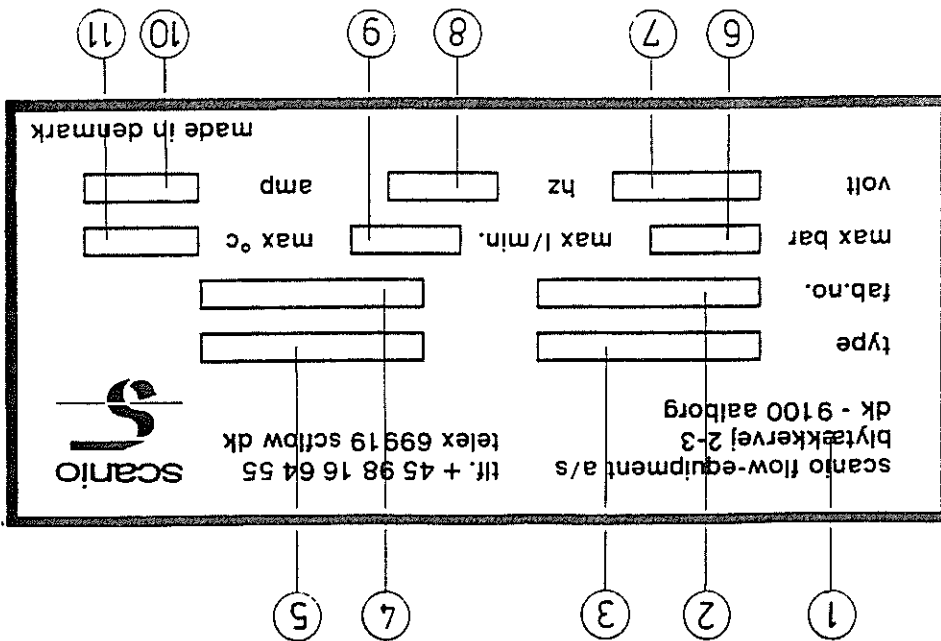
- | | | | |
|-----|-----------------------------------|-----|------------------|
| 1. | Closing valve | 15. | Non-return valve |
| 2. | Non-return valve | 16. | Closing valve |
| 3. | 3-way valve | 17. | Dosing valve |
| 4. | Scanio couplings | 18. | Non-return valve |
| 5. | Hose connection | 19. | Hose connection |
| 6. | Low-pressure spray gun | 20. | Filter |
| 7. | Scanio couplings | 21. | Non-return valve |
| 8. | Outlet: Foam-rinsing-disinfection | 22. | Special injector |
| 9. | Non-return valve | 23. | 2-way valve |
| 10. | Injector | 24. | Scanio coupling |
| 11. | Non-return valve | 25. | Dosing valve |
| 12. | Pressure gauge | 26. | Non-return valve |
| 13. | Reduction valve | 27. | Hose connection |
| 14. | Filter | 28. | Filter |

11. Flow Diagram
S 1000 L



- | | | | |
|-----|-----------------------------------|-----|-----------------------------|
| 1. | Closing valve | 12. | Pressure gauge |
| 2. | Non-return valve | 13. | Reduction valve |
| 3. | 3-way valve | 14. | Filter |
| 4. | Scanio couplings | 15. | Non-return valve |
| 5. | Hose connection | 16. | Closing valve |
| 6. | Low-pressure spray gun | 17. | Dosing valve |
| 7. | Scanio couplings | 18. | Non-return valve |
| 8. | Outlet: Foam-rinsing-disinfection | 19. | Hose connection |
| 9. | Non-return valve | 20. | Filter |
| 10. | Injector | 21. | Manually operated 5/2 valve |
| 11. | Non-return valve | 22. | Scanio coupling |

12.Type Plate



- 1. Producer
- 2. Serial number
- 3. Type
- 4. Date
- 5. Customer's internal serial number
- 6. Maximum pressure
- 7. Voltage
- 8. Frequency
- 9. Water volume
- 10. Consumption of ampere
- 11. Maximum temperature

b) Closing valve for air (A on layout drawing page 9).
 A manual closing valve is built into the air inlet by which the air supply can be locked up.

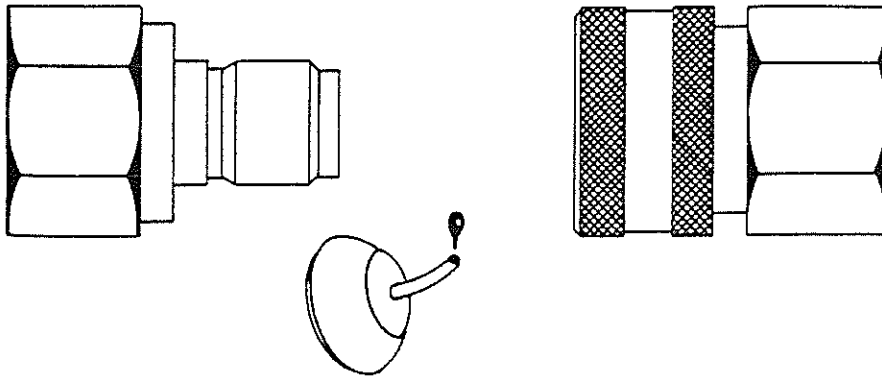
c) Spray gun

- The spray gun handle is provided with a safety catch 15.02.92 which should be set at locking position before the spray gun is put away. This prevents unauthorized use.
 - The spray gun is provided with a damper to avoid severe water shocks when it is closed.
 h) A pressure gauge for air is placed on the front side of S 1000. (Note that the air pressure only can be measured when the closing valve (A on layout drawing page 9) is open.

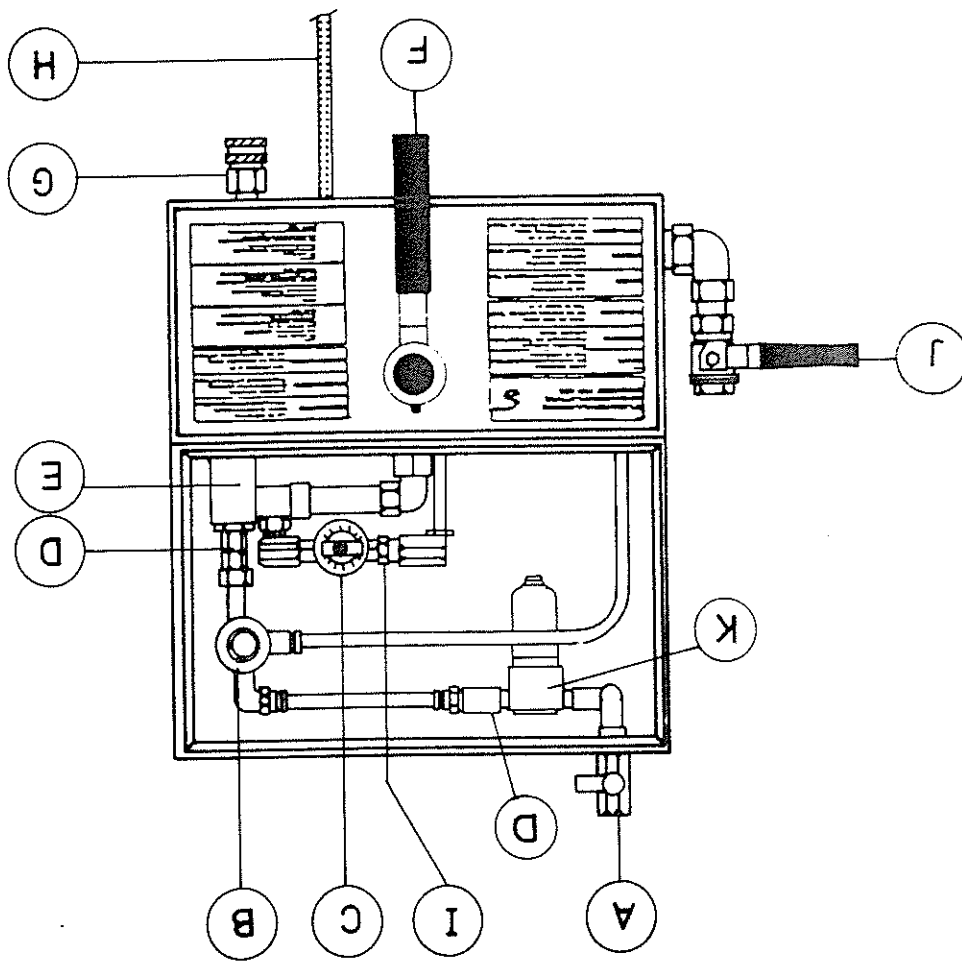
9. Regular Service, Check

a) Quick couplings

It is to be recommended to lubricate all coupling parts regularly (approx. once a week) by waterproof grease to prevent leaks and damage of packings.



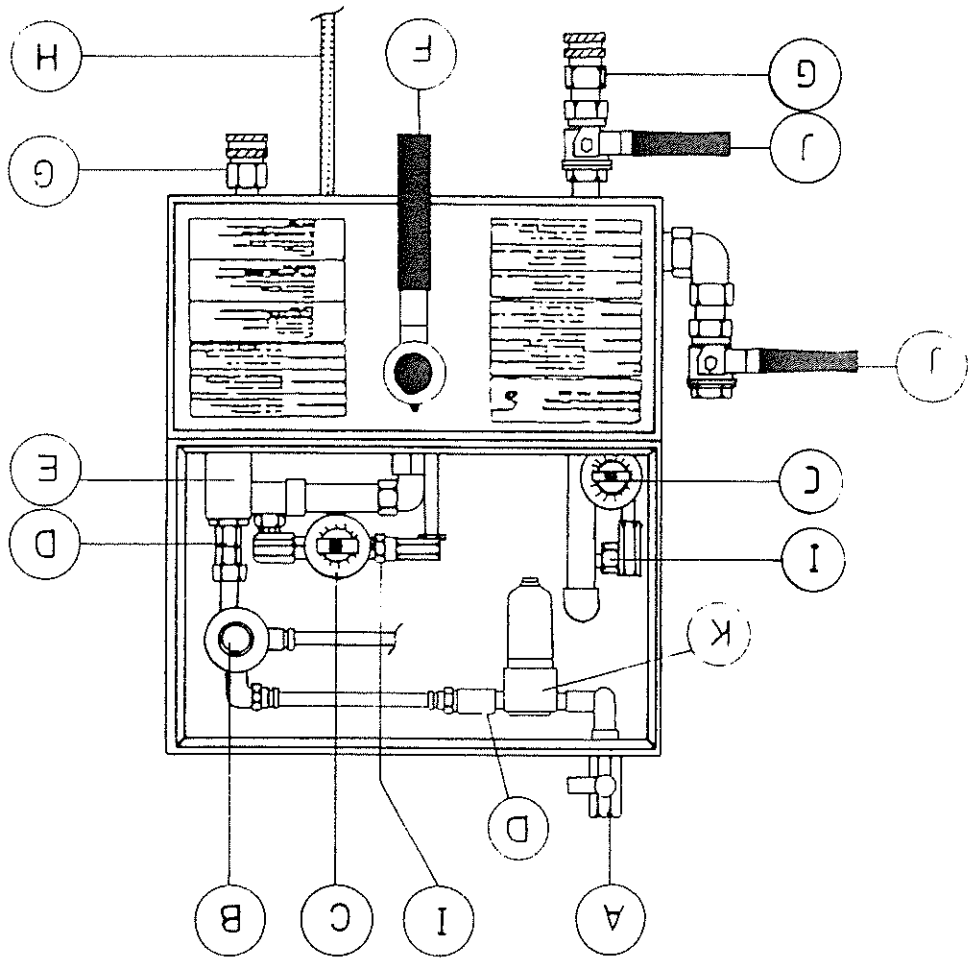
3.8 Layout Drawing S 1000



- A. 1/4" closing valve
- B. 1/4" reduction valve for air
- C. 1/4" SS dosing valve for cleaning materials
- D. 1/4" SS non-return valve for air
- E. Injector
- F. Adjusting handle
- G. 3/8" SS Scanio outlet coupling
- H. Suction hose for cleaning materials
- I. 1/4" SS non-return valve for cleaning materials
- J. 3/4" ball valve
- K. 1/4" air filter

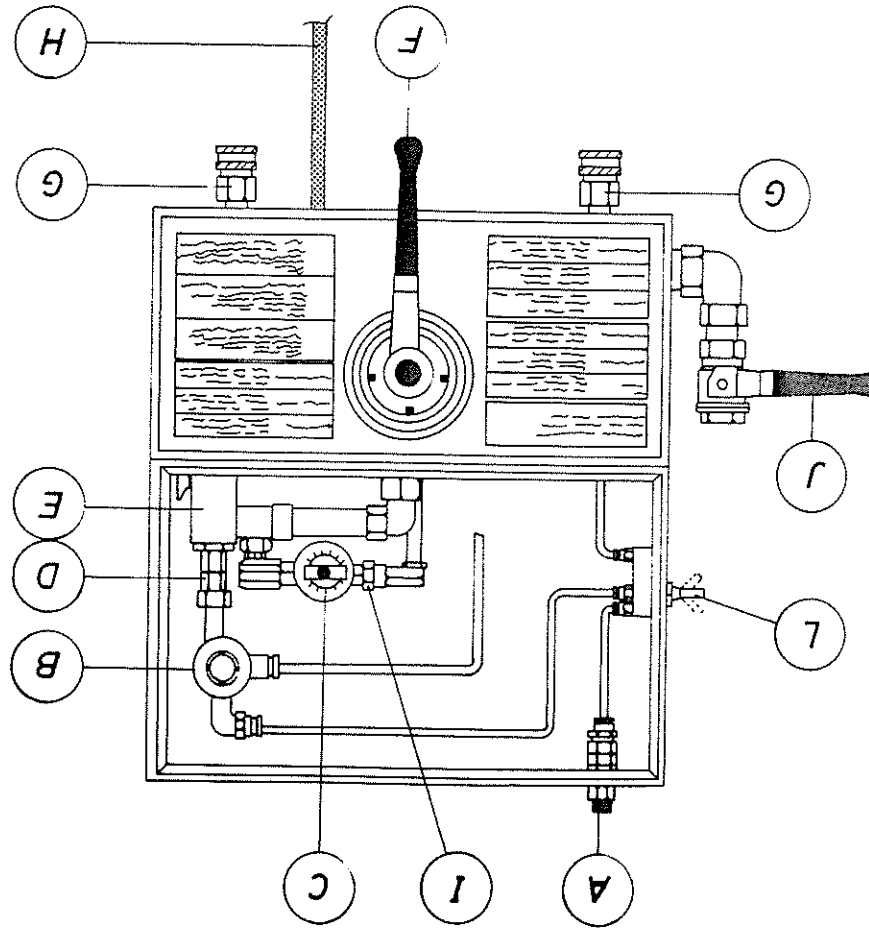
scanio flow-equipment a/s

3.8 Layout Drawing S 1000D



- A. 1/4" closing valve
- B. 1/4" reduction valve for air
- C. 1/4" SS dosing valve for cleaning materials
- D. 1/4" SS non-return valve for air
- E. Injector
- F. Adjusting handle
- G. 3/8" SS Scanio outlet coupling
- H. Suction hose for cleaning materials
- I. 1/4" SS non-return valve for cleaning materials
- J. 3/4" ball valve
- K. 1/4" air filter

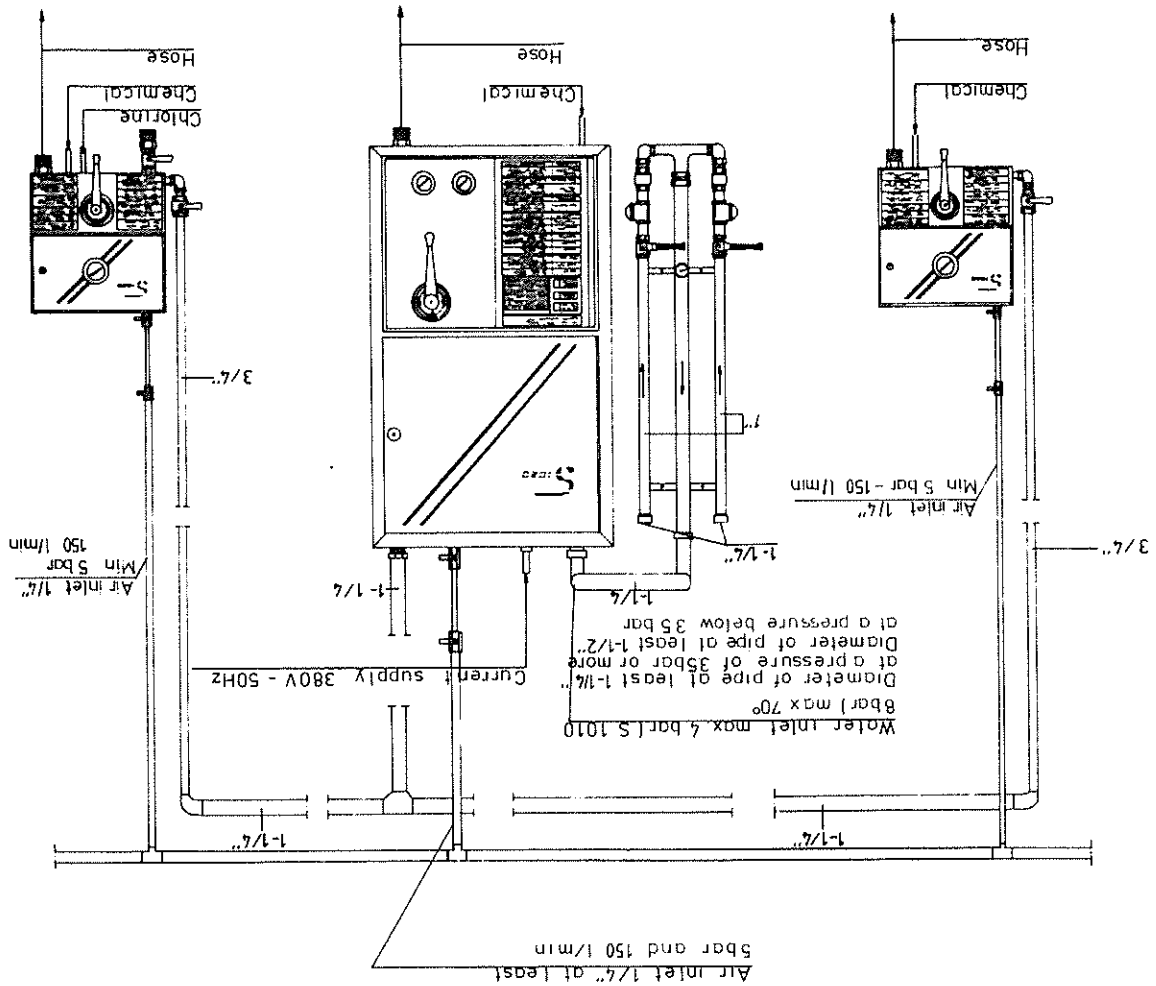
3.8 Layout Drawing S 1000L



- A. 1/4" closing valve
- B. 1/4" reduction valve for air
- C. 1/4" SS dosing valve for cleaning materials
- D. 1/4" SS non-return valve for air
- E. Injector
- F. Adjusting handle
- G. 3/8" SS Scanio outlet coupling
- H. Suction hose for cleaning materials
- I. 1/4" SS non-return valve for cleaning materials
- J. 3/4" ball valve
- K. 1/4" air filter
- L. 5-port air valve

scanio flow-equipment a/s

3.7 Data of Connection S 1000/S 1000D/S 1000L



3.5 Connection to Hose

a) Rinsing hose is mounted with rinsing spray gun in the outlet coupling of the plant (or low-pressure valve) (G on layout drawing page 9).

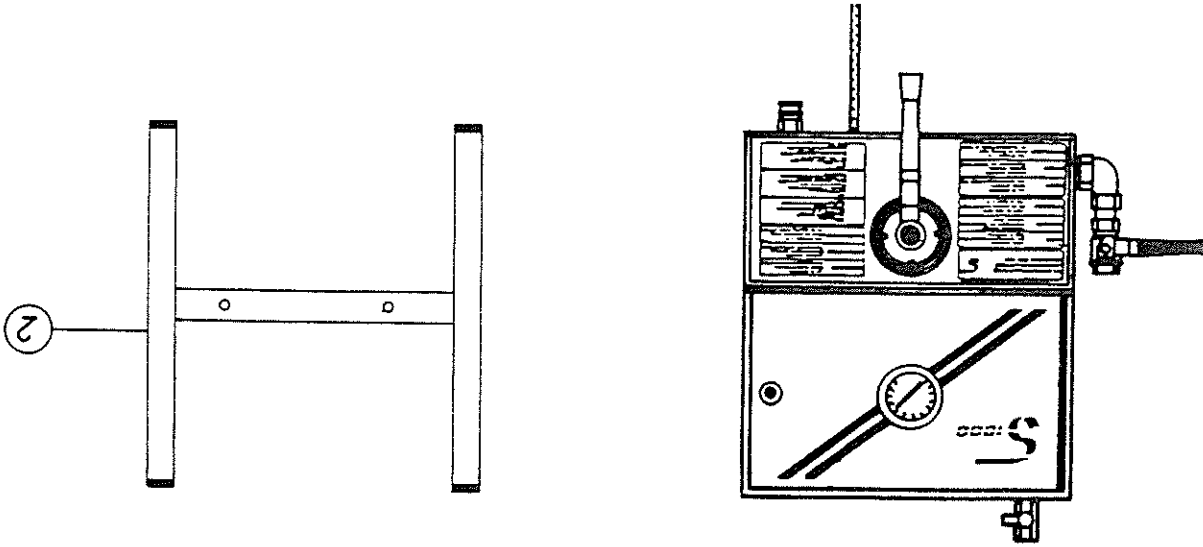
b) Maximum hose length: 30 m

Minimum internal diameter: 12 mm

c) It is to be recommended to use Scania hoses only which provide the prescribed characteristics and are suited for the purpose.

3.6 Choice of Nozzles

a) The satellite stations are equipped with the following standard equipment:



scania flow-equipment a/s

3.1.1 Directions for Mounting

