
READ ALL INSTRUCTIONS BEFORE OPERATING EQUIPMENT

User Manual for Models:

PTF-NVS-2

PTF-NV

FDC-DA-2

FDC-2

| Wall Mounted Pneumatic Teat
Foam System and Applicator |

READ ALL INSTRUCTIONS BEFORE OPERATING EQUIPMENT

READ ALL INSTRUCTIONS BEFORE OPERATING EQUIPMENT

Specifications:

Tubing..... 12 feet (3.66 meters) coil polyurethane red and blue tubing, 1/4 inch O.D.

Requirements:

Compressed air 40 to 80 PSI (3 to 5 bar) with 3.5 to 8 CFM (99.15 to 226.62 l/min)

Chemical requirements: follow all instructions from chemical manufacturer.

Air Operated Double Diaphragm Pump Options:

P56.....Flojet polypropylene body with Santoprene diaphragm

P56V..... Flojet polypropylene body with Viton diaphragm

P56K..... Flojet polypropylene body with Kalrez diaphragm

Acceptable Products: Alkaline cleaners, Caustic cleaners, Sanitizers, and Acids.

* D-Limonene and peracetic acid may only be used with Kalrez pump

* Chlorine may only be used with Viton or Kalrez pump

DO NOT USE: All hydrocarbons



WARNING

Avoid Personal Injury



1. Always wear protective clothing, gloves, and eye wear while operating foam unit.



2. Avoid contact of cleaning agent with skin and eyes. If contact occurs, see MSDS sheet for further first aid measures.



3. Follow safety instructions of chemical manufacturer (MSDS).

4. Never point the discharge wand at anyone.



CAUTION

Avoid Equipment Damage

1. Only use clean and dry air. Air must be filtered and free of moisture or pump life will be diminished. If needed, install air dryer before unit.

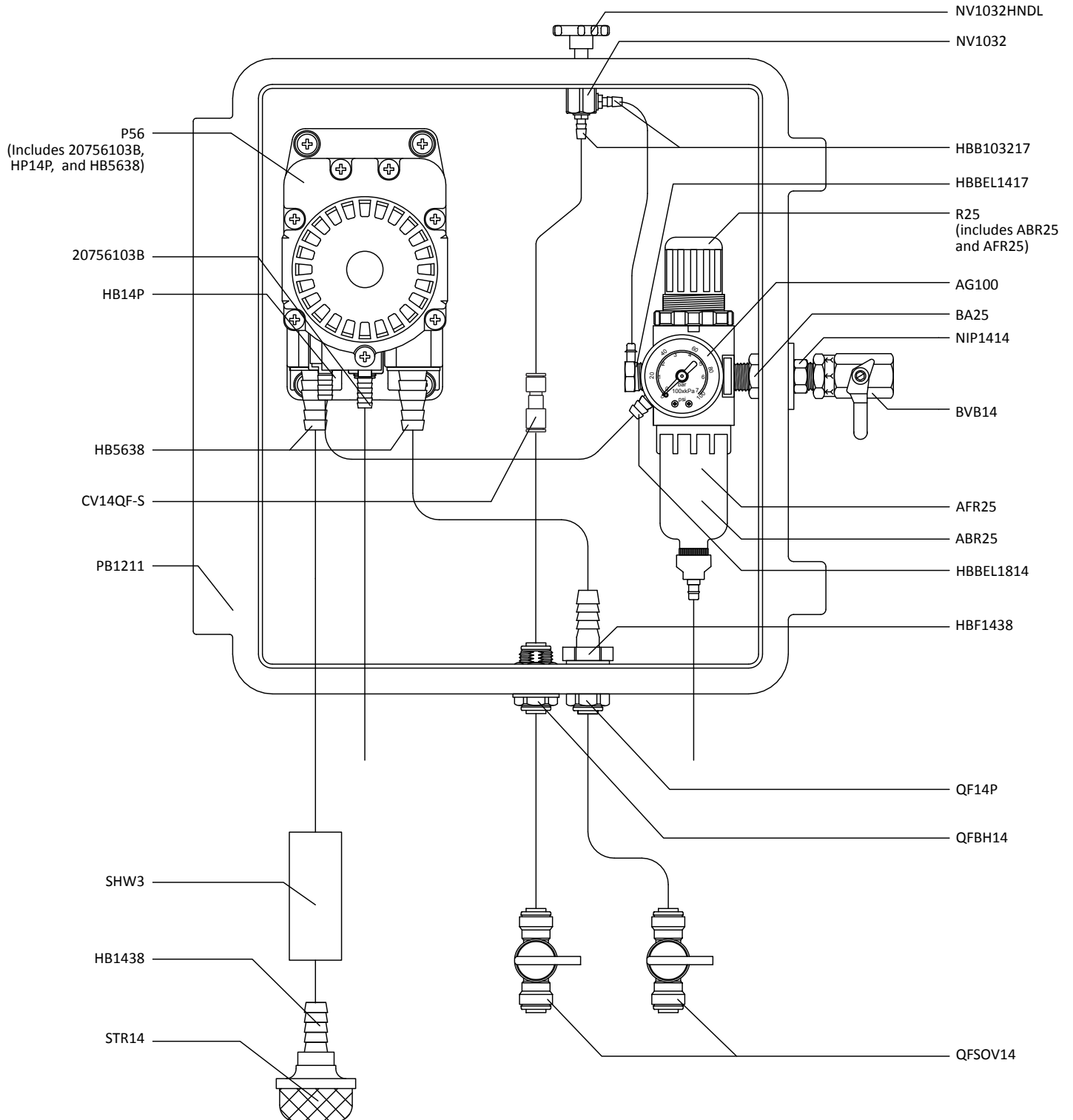
2. Do not use air lubricator before the unit.

3. Do not exceed a fluid temperature of 110°F (43°C).

READ ALL INSTRUCTIONS BEFORE OPERATING EQUIPMENT

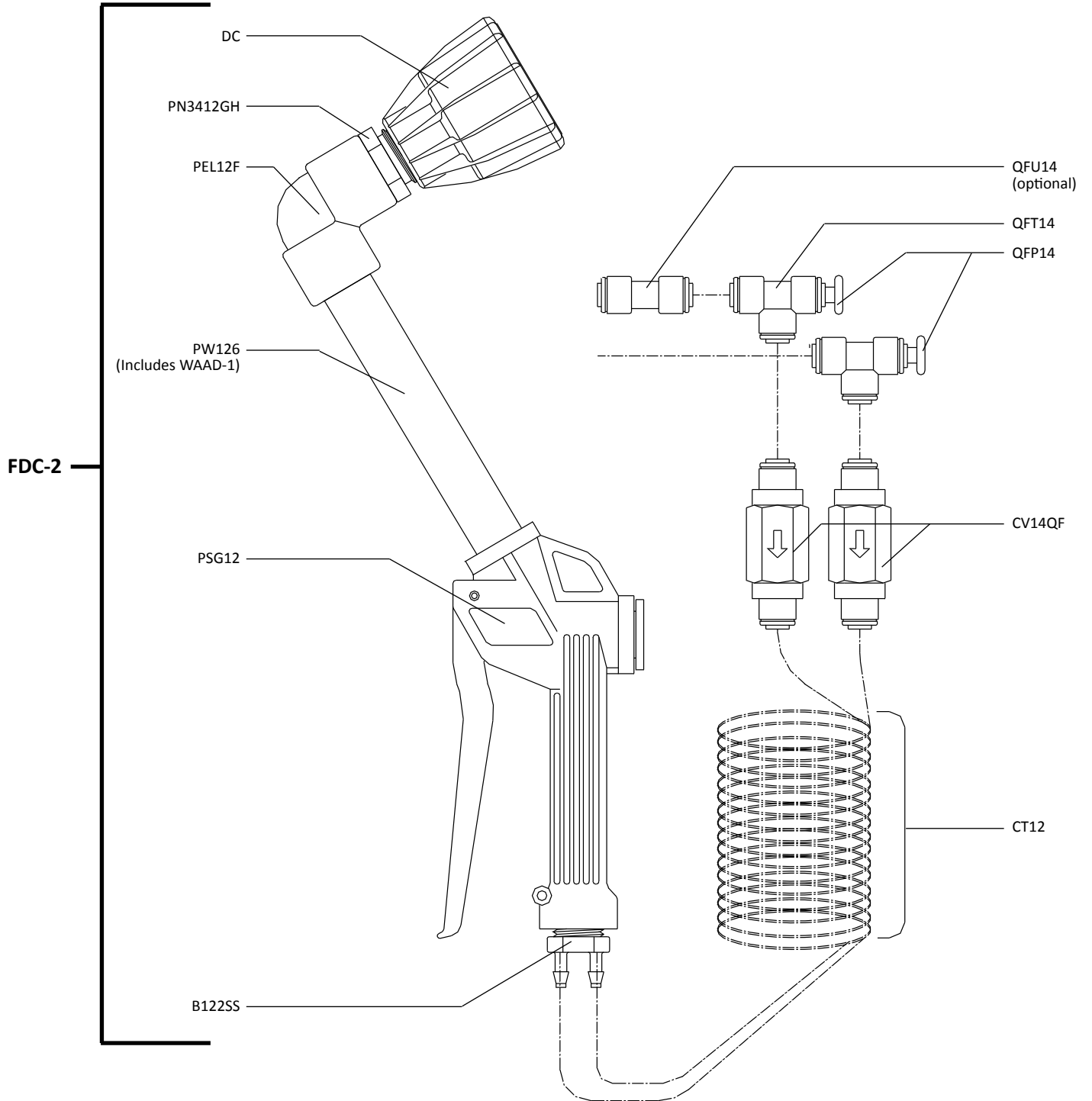
Inside View - Control Box Model: PTF-NV (Applicator Sold Separately)

Model: PTF-NVS-2 includes teat foam system (PTF-NV) and three applicators (FDC-DA-2)



READ ALL INSTRUCTIONS BEFORE OPERATING EQUIPMENT

Side View - Item Number: FDC-DA-2 and FDC-2



READ ALL INSTRUCTIONS BEFORE OPERATING EQUIPMENT

Parts List

ITEM NUMBER	DESCRIPTION
20756103B	Polypro G57 Air Port x HB Straight, w/ Viton o-ring
ABR25	METAL AIR BOWL for R25
AFR25	AIR FILTER for R25
AG100	1.5in DRY MODEL 20 DUAL SCALE GAUGE
AS1-P	1/4-20 X 1/2in SCREW WITH PATCH
B103234	10-32 X 3/4 PHIL TRUSS MACH SCR 18-8
B122SS	1/2in S.S. MALE BY TWIN .170 BARB
BA25	MALE/FEMALE ADAPTER 1/4 X 1/4
BH142015	BUTTON HEAD SOCKET CAP - 1/4 - 20 x 1.5 STAINLESS STEEL
BKSS	BOX KEEPER STAINLESS STEEL
BLSS	Stainless Steel Latch
BVB14	VA BRS 025-4F4F-BT, NICKEL
CT12	12ft COIL 1/4in POLYURETHANE RED/BLUE
CV14QF	PVC 426-4 CJG4CJG-E, HAST QF CHECK VALVE
CV14QF-S	1/4 INCH TUBE X 1/4 INCH TUBE QUICK FIT SMALL
DC	FOAM DIP CUP - PVC
EC14-2	OETIKER CLAMP 13.8
EC18	OETIKER CLAMP - 11.3
EC38	STEPLESS EAR CLAMP
FWLG14	.569 ID X 1.28 OD X .08 THICK FLAT WASHER SS 18-8
GHW	GARDEN HOSE WASHER - D-#102
H12BP	1/2IN OD POLYTUBE BLACK
H14B	1/4in BLUE GENERAL SERVICE HOSE
H14BP	1/4IN OD POLYTUBE BLUE
H14BU	1/4in BLUE POLY URETHANE HOSE
H14C	1/4in ID CLEAR POLYVINYL TUBING
H14RP	1/4IN OD POLYTUBE RED
H38B	3/8in BLUE GENERAL SERVICE HOSE
HB1438	1/4in MPT X 3/8in HOSE BARB (PLASTIC)
HB14P	1/4in BRASS HB AIR FITTING /G57/P56
HB5638	HOSE BARB FOR P56 PUMP
HBB103217	10-32 B4 HOSE BARB
HBB103217W	FIBER WASHER FOR HBB103217 - W/ BARB
HBB1438	BRASS 1/4 MPT X 3/8 HOSE BARB
HBBEL1417	1/4in L BARBED FITTING - NICKEL PLATED
HBBEL1814	1/8 MPT X 1/4 HOSE BARB BRASS 90DEG
HBF1438	1/4in FPT X 3/8in HOSE BARB - POLYPRO
HBF3838	HOSE BARB 3/8" BY FEMALE PIPE THREAD 3/8"
NIP1414	1/4 BRASS NIPPLE

NV1032	NV2SV-B 6.5 TURN (271390)
NV1032HNDL	BLACK HANDLE FOR #6737990 NEEDLE VAL
NV1032SETS	SET SCREW FOR #5890640 HANDLE
P56	5700 SANTO PUMP
P56K	5700 PUMP WITH KALREZ SEALS
P56V	FLOJET G57 PUMP WITH VITON
PB1211	GRAY POLY BOX 12 X 11 X 6
PB1211-GSKT	3/32 INCH THICK GSKT WITH PSA
PBFT-SS	POLY BOX SS FOOT
PEL12F	1/2in FEMALE POLY PIPE ELBOW 90
PL1211	12X11 INCH POLYETHYLENE LID
PN3412GH	3/4in MGH X 1/2in MPT POLY NIPPLE
PSG12	1/2in POLY SPRAY GUN W/ GRAY HNDL. & 316SS
PSGORV	PSG12 VITON O RING
PW126-P	1/2in BLACK POLY PRO X 6in - MPTBE - SCH. 80
QF14P	MALE CON. 1/4in TUBE X 1/4in MPT
QFBH14	BULKHEAD 1/4in TUBE
QFP14	PLUG, 1/4in
QFSOV14	SHUT OFF VALVE 1/4in TUBE
QFT14	UNION TEE 1/4in TUBE
R25	AIR REGULATOR - SILVER COLOR - 1/4ft TWO PORT 1/8ft TWO PORT
R25DT	CLEAR TUBING FOR R25 DRAIN
RIVSS-18-4	1/8 Stainless Rivet/Stainless Mandrel - Length .400 - Grip Range (.188 - .250)
SHW3	3in LONG COATED WEIGHT
SSC38	WORM GEAR CLAMP, S/S (.25-.63)
STR14	40 MESH SUCTION LINE STRAINER 1/4 MNPT
WAAD-1	WADDING FOR TEAT GUN - 1in x 1in X 1 3/16in
WMS14	14 X 1 1/4 HEX W/H SMS SLOTT, S/S
WMS14A	5/16 X 1 1/2 STRAIGHT PLASTIC ANCHOR

READ ALL INSTRUCTIONS BEFORE OPERATING EQUIPMENT

Safety Instructions:

1. Always wear safety goggles and protective gloves while operating foam unit.
2. Avoid contact of product with skin and eyes.
3. If contact occurs, see MSDS sheet for further first aid measures.
4. Never point the discharge wand at anyone.

Installation Instructions:

1. Read all instructions before installing the unit.
2. Remove all parts from box.
3. Select desired area to mount the control box. We recommend that the control box is mounted 8 feet or less from the floor.
4. Mount the control box using 4 of the screws provided. Note: When drilling holes for the plastic anchors provided with the screws, use a 5/16 inch drill bit.
5. Run one 1/4 inch O.D. tube from the liquid discharge and another from the air discharge out to the parlor. When installing more than one drop, it is recommended to have both the liquid (red) and the air (blue) lines looped back to a tee in line below the pump box. Avoid dead ends in either supply line. This will help to equalize the line pressure to all drops.
6. Connect a shut-off valve assembly on the other end of the two tube lines in the parlor. These valves can be used to shut the system off in case of a gun malfunction.
7. Connect the tubing and foam guns to the shut-off valve, then make sure the valves are in the open position.

8. Attach the hose to the pump as shown in the diagram. Place the screen end of the intake hose into a container of ready to use product and connect the other end to the front (liquid in) connector. (Note: The intake hose should be no longer than 15 feet)
9. Connect a compressed air line into the air inlet fitting.
10. Turn the air inlet valve (BVB14) to open and activate the unit. The air gauge (AG100) should read about 40 PSI.
11. Adjust the needle valve (NV1032) to desired wetness or dryness of foam following the steps below:
 - a. Close needle valve (NV1032) completely in clockwise direction.
 - b. Open needle valve (NV1032) in counter-clockwise direction 3 complete turns.
 - c. Continue to open needle valve in ¼ turn increments allowing 30 seconds between adjustments until proper consistency of foam is achieved.

Maintenance:

To keep your unit operating properly, periodically perform the following maintenance procedures:

1. Check the air pump for wear and leaks.
2. Replace filter in regulator as needed.
3. Check the suction tube and screen for debris and clean as needed.