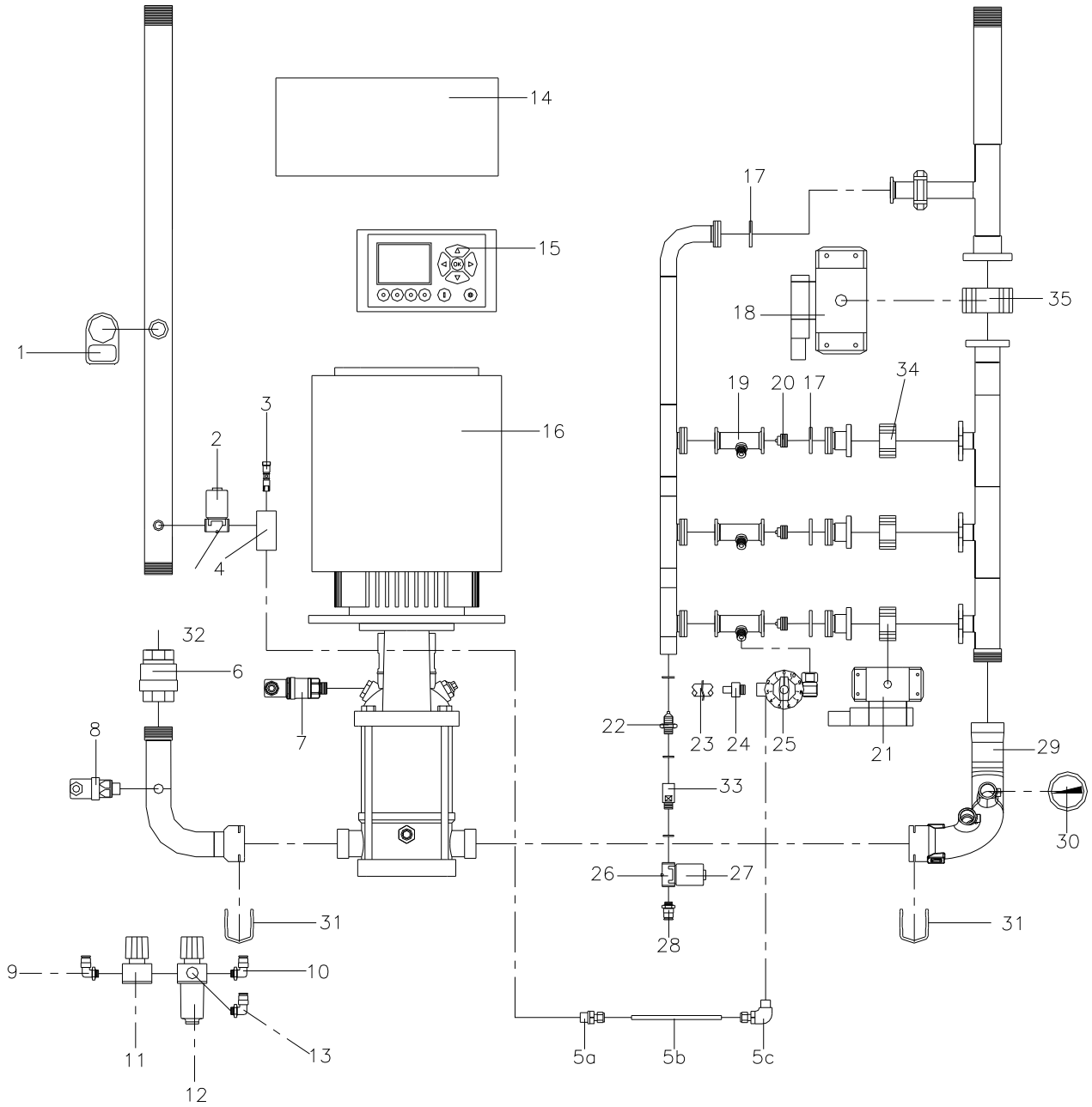


# Foamatic Mainstation **ECOLAB**<sup>®</sup>

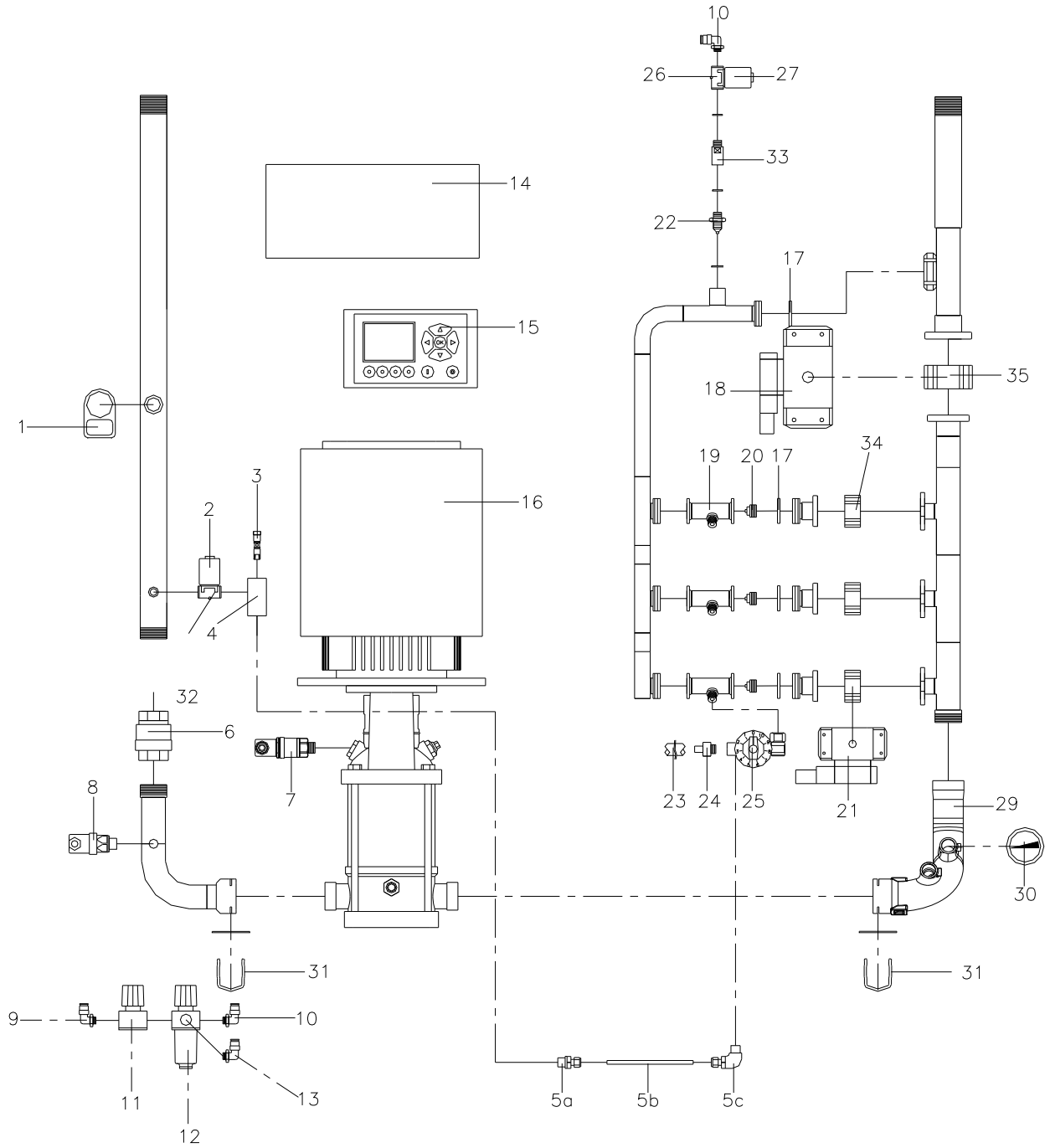


**Spare parts**

10/2007 => 09/2011



09/2011 => 10/2014

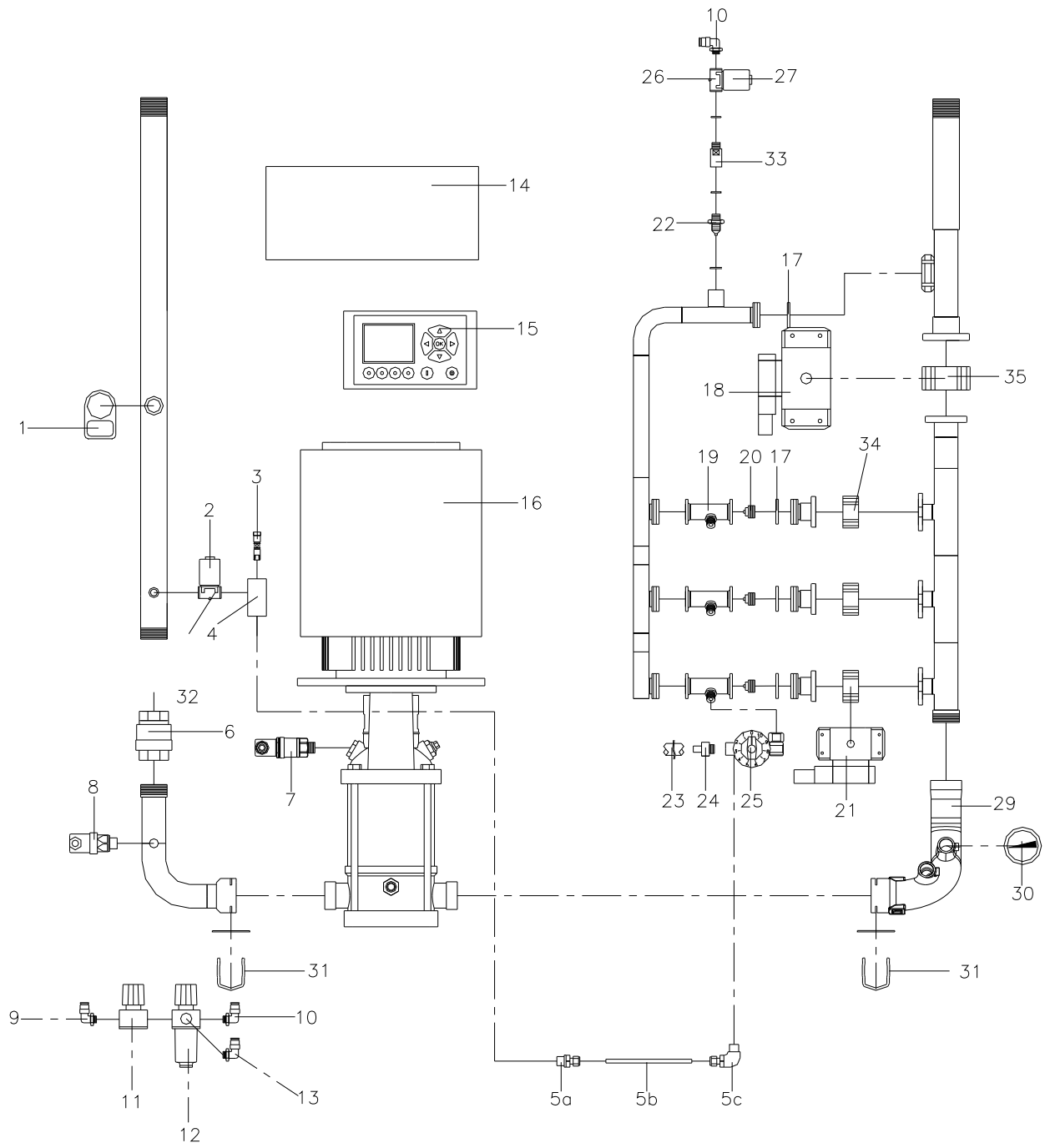


Pos. No.	Article No.	Description	No.
1	0633003	Flowswitch	1
2	533100	Coil 18W	1
3	0664080	Non return valve for injector flush	1-3
4	0664098	Block for flushing of injector	1
5a*	110002132	Tube fitting Ø4 straight	1-3
5b*	110002134	Tube Ø4 – PTFE 1 meter	1-3
5c*	110002133	Tube fitting Ø4 elbow	1-3
6	359946	Non return valve 1 ¼"	1
7	0631195	Pressure sensor 25 bar	1
8	0631030	Pressure switch 0,5 bar	1
9	359000	Air fitting elbow 6mm	1
10	0608096	Air fitting elbow 4mm	2
11	110000656	Air regulator	1
12	635650	Air regulator and filter	1
13	638500	Air fitting elbow 8mm	1
14	0601593	Master controller (A-version)	1
14	0601821	Screw terminal (S2-version)	(1)
14	0601822	Screw terminal (S3-version)	(1)
15	0601594	Display	1
16	0604229	Pump CRNE 5-6 5,5 kW	1
16	110000595	Pump CRNE 5-9 7,5 kW	1
16	110001966	Pump CRN 3-13Z 3,0kW	1
17	939904	Sealing	3-7
18	0623089	Actuator and solenoid valve	1
19	0603294	Injector 150/300 L	1-3
19	0603295	Injector 450/600 L	1-3
20	640401	Nozzle 150 L	1-3
20	0605762	Nozzle 300 L	1-3
20	0605744	Nozzle 450 L	1-3
21	0623073	Actuator and solenoid valve	1-3

\* Flushing tube have changed in 09/2011 from Ø6 PVDF to Ø4 PTFE – this requires new fittings. Changing from Ø6-Ø4 requires 5a, 5b and 5c.

<b>Pos. No.</b>	<b>Article No.</b>	<b>Description</b>	<b>No.</b>
22	640300	Air nozzle 150 L	1
22	0605914	Air nozzle 300 L	1
22	64030000	Air nozzle 450 L	1
23	110000161	Suction hose blue	1-3
23	110000160	Suction hose yellow	1-3
23	110000158	Suction hose red	1-3
24	0664281	Non return valve for suction	1-3
25	0605761	Dosing valve	1-3
26	530900	Solenoid valve	1
27	533100	Coil 15 W	1
28	359100	Air fitting 6mm	1
29	110000203	Manifold	1
30	659000	Pressure gauge	1
31	110001250	Clips	2
32	530700	Solenoid valve	1
33	0664034	Non return valve for air	1
34	0605771	Valve DN15	1-3
35	0605972	Valve DN 40	1

10/2014 =>

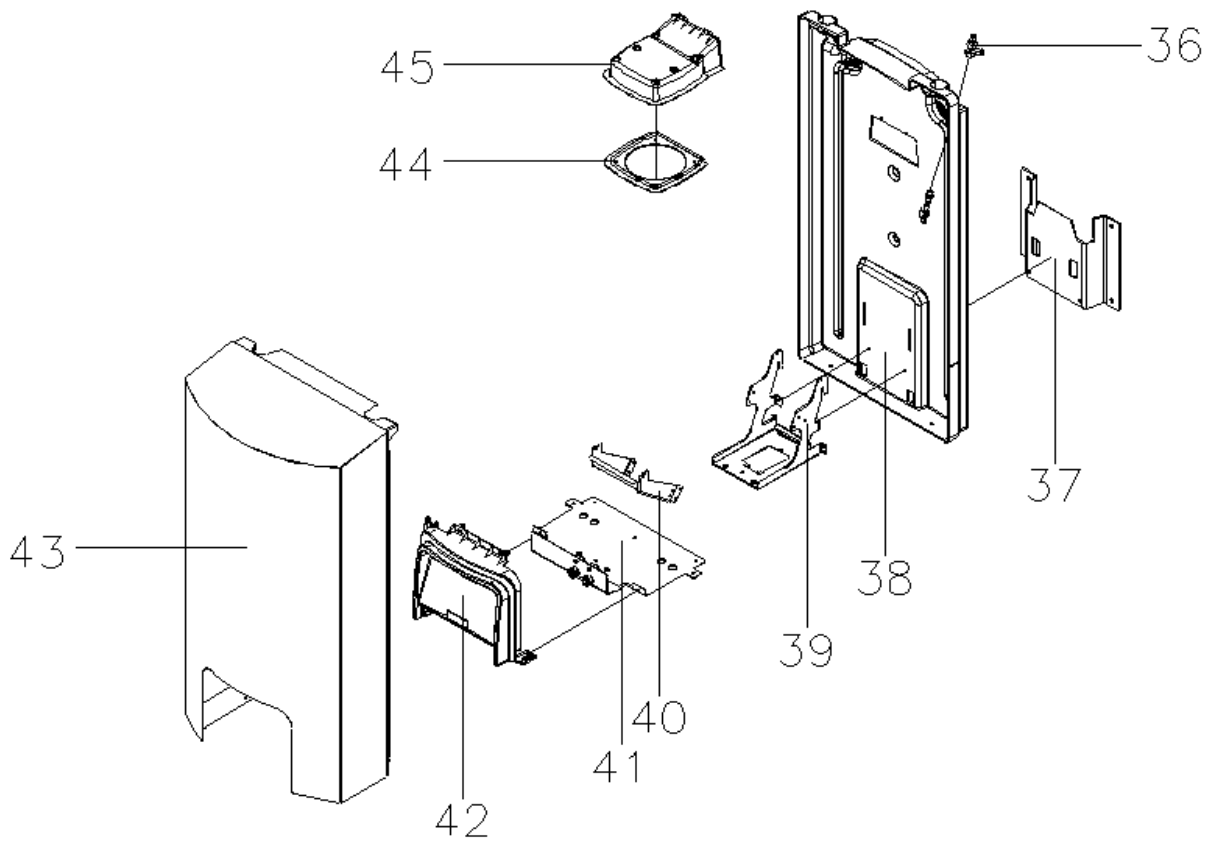


<b>Pos. No.</b>	<b>Article No.</b>	<b>Description</b>	<b>No.</b>
1	110000973	Flowswitch ¼"	1
2	533100	Coil 18W	1
3	0664080	Non return valve for injector flush	1-3
4	0664098	Block for flushing of injector	1
5a	110002132	Tube fitting Ø4 straight	1-3
5b	110002134	Tube Ø4 – PTFE 1 meter	1-3
5c	110002133	Tube fitting Ø4 elbow	1-3
6	359946	Non return valve 1 ¼"	1
7	0631195	Pressure sensor 25 bar	1
8	0631030	Pressure switch 0,5 bar	1
9	359000	Air fitting elbow 6mm	1
10	0608096	Air fitting elbow 4mm	2
11	110000656	Air regulator	1
12	635650	Air regulator and filter	1
13	638500	Air fitting elbow 8mm	1
14	0601593	Master controller (A-version)	1
14	0601821	Screw terminal (S2-version)	(1)
14	0601822	Screw terminal (S3-version)	(1)
15	0601594	Display	1
16	0604229	Pump CRNE 5-6 5,5 kW	1
16	110000595	Pump CRNE 5-9 7,5 kW	1
16	110001966	Pump CRN 3-13Z 3,0kW	1
17	939904	Sealing	3-7
18	0623089	Actuator and solenoid valve	1
19	0603294	Injector 150/300 L	1-3
19	0603295	Injector 450/600 L	1-3
20	640401	Nozzle 150 L	1-3
20	0605762	Nozzle 300 L	1-3
20	0605744	Nozzle 450 L	1-3
21	0623073	Actuator and solenoid valve	1-3

<b>Pos. No.</b>	<b>Article No.</b>	<b>Description</b>	<b>No.</b>
22	640300	Air nozzle 150 L	1
22	0605914	Air nozzle 300 L	1
22	64030000	Air nozzle 450 L	1
23	110000161	Suction hose blue	1-3
23	110000160	Suction hose yellow	1-3
23	110000158	Suction hose red	1-3
24	110000467	Non return valve for suction	1-3
25	110003951	Dosing valve Foamatic Mainstation	1-3
26	530900	Solenoid valve	1
27	533100	Coil 15 W	1
28	359100	Air fitting 6mm	0
29	110000203	Manifold	1
30	659000	Pressure gauge	1
31	110001250	Clips	2
32	530700	Solenoid valve	1
33	0664034	Non return valve for air	1
34	0605771	Valve DN15	1-3
35	0605972	Valve DN 40	1

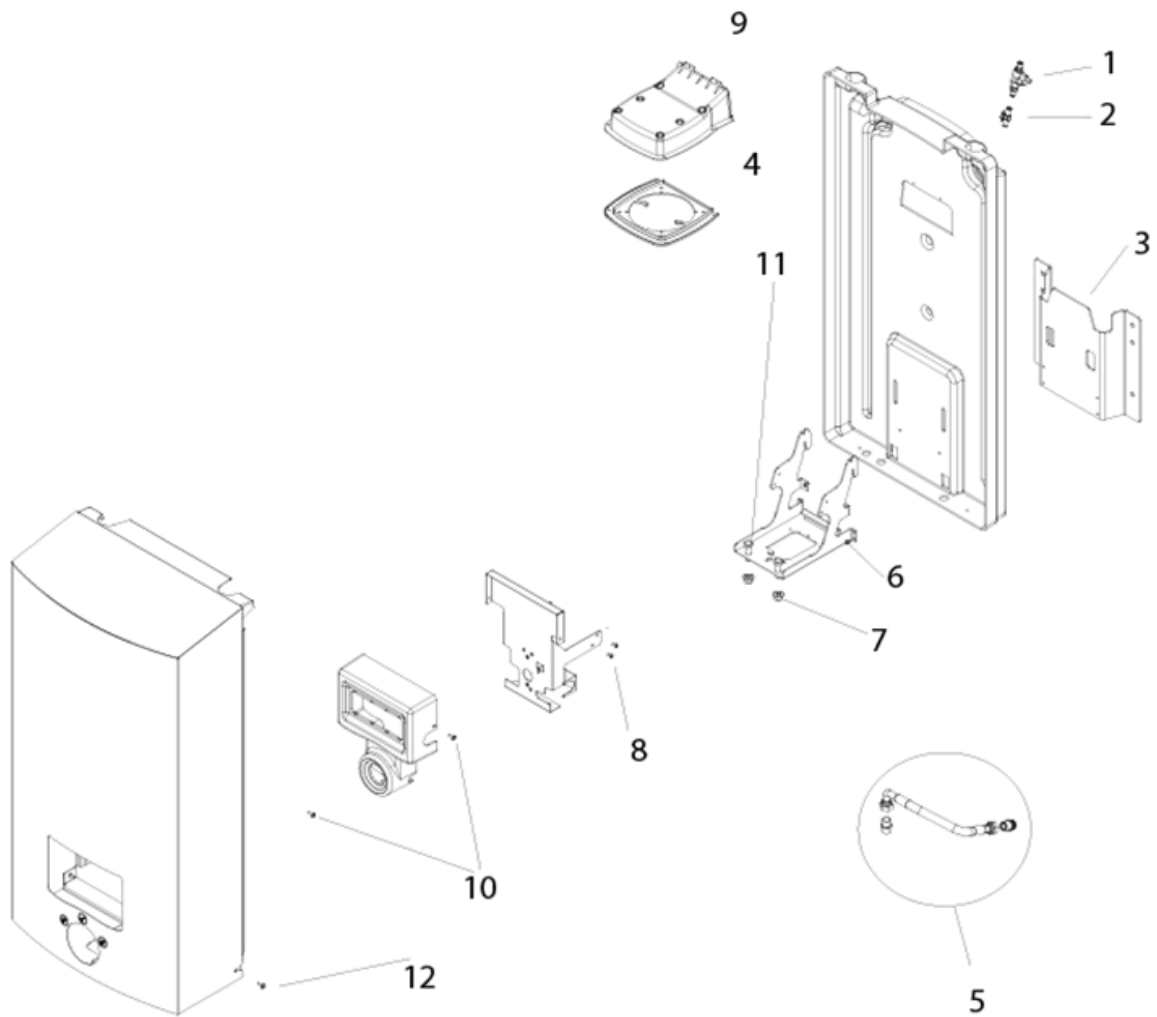


10/2007 =>10/2014



Pos. No.	Article No.	Description	No.
36	634000	Ball valve for air	1
37	0606591	Wall rack	1
38	0606752	Back plate	1
39	0606644	Pump rack	1
40	0606741	Bracket for operation panel	1
41	0606637	Bottom plate	1
42	0606913	Blue front cover	1
43	0606600	Front cover	1
44	0607961	Air intake - bottom	1
45	0606914	Air intake	1

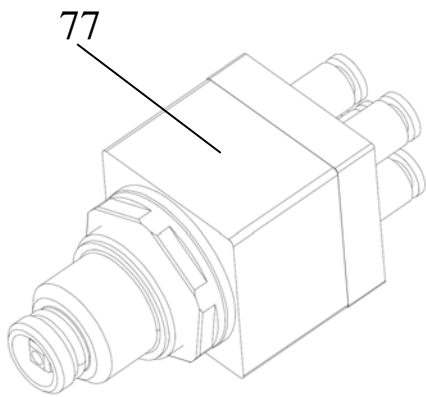
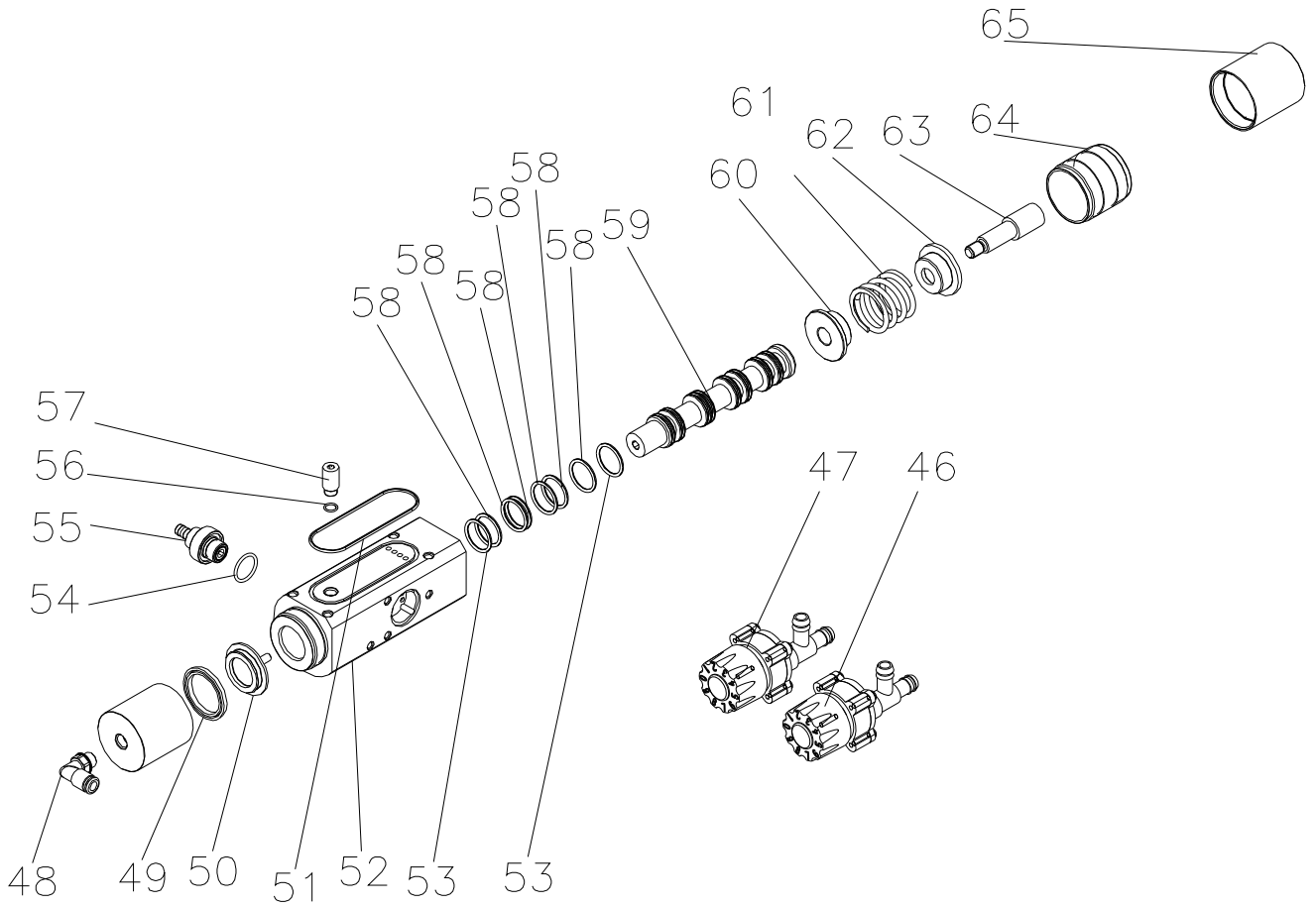
10/2014 =>



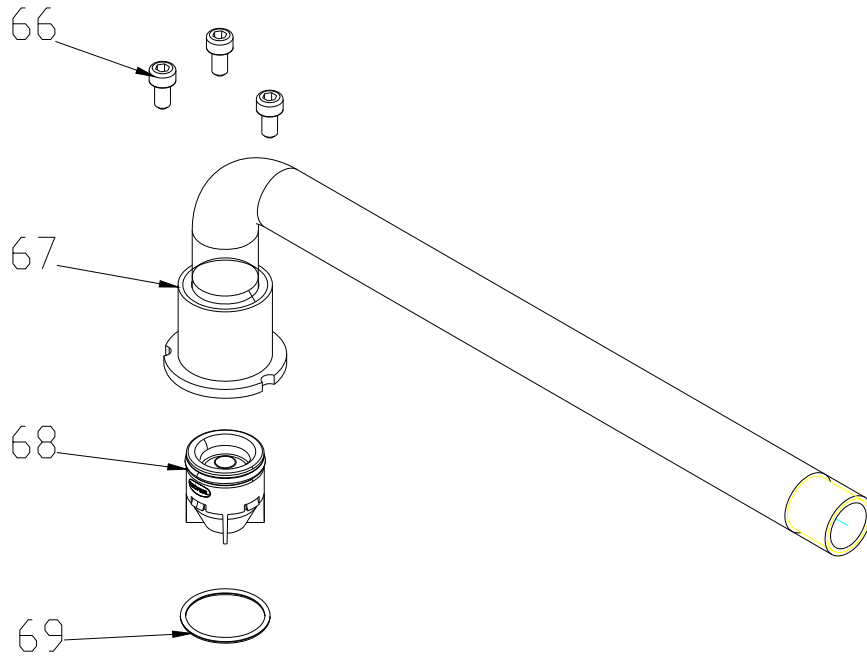
Pos. No.	Article No.	Description	No.
1	110001115	Closing valve for air	1
2	0608135	Non-return valve for air	1
3	0606591	Wall bracket	1
4	0607961	Air intake - bottom	1
5	110003511	Hose with fittings	1
6	110003512	Screw kit	1
7	110003512	Screw kit	1
8	110003512	Screw kit	1
9	0606914	Air intake	1
10	110003512	Screw kit	
11	110003512	Screw kit	
12	110003512	Screw kit	1

# Manuel outlet parts

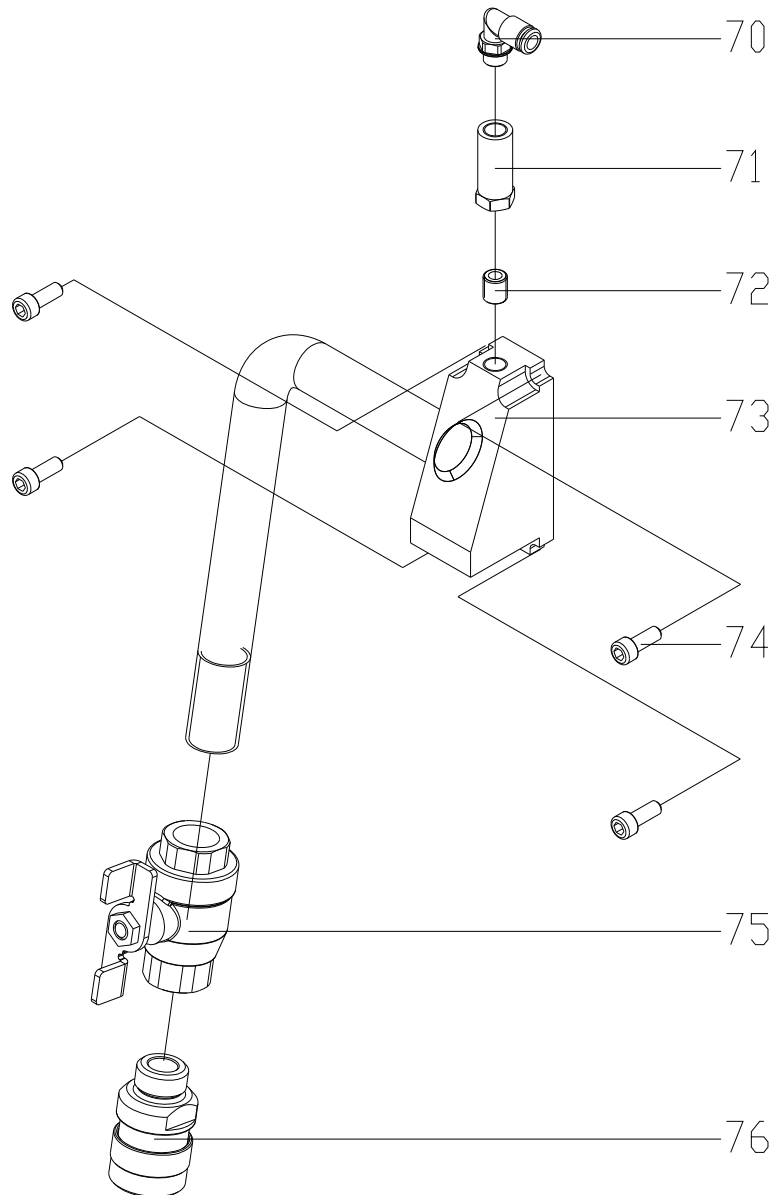
10/2007 => 03/2011



<b>Pos. No.</b>	<b>Article No.</b>	<b>Description</b>	<b>No.</b>
46	110001097	Dosing valve blue	1
47	110001098	Dosing valve yellow	1
48	359200	Air fitting	2
49	0635920	Sealing	1
50	0664256	Air piston	2
51	0635919	O-ring for block	1
52	0607994	Block for 2 chemicals	1
53	0635917	O-ring for piston	2
54	0635068	O-ring	1
55	0607992	Non return valve / suction	1
56	0635919	O-ring	1
57	0664257	Injector insert	1
58	0635078	O-ring for piston	6
59	0664248	Piston for nlock	1
60	0664250	Spring guide	1
61	0636038	Return spring	1
62	0664251	Spring guide	1
63	0664280	Guide for air piston	1
64	0664252	Cylinder housing long	1
65	0664253	Cylinder housing short	1
77	0663014	4-way change over valve	1



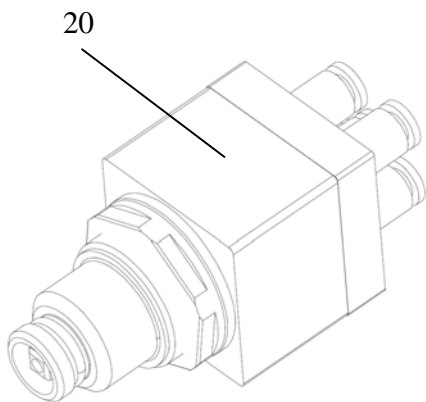
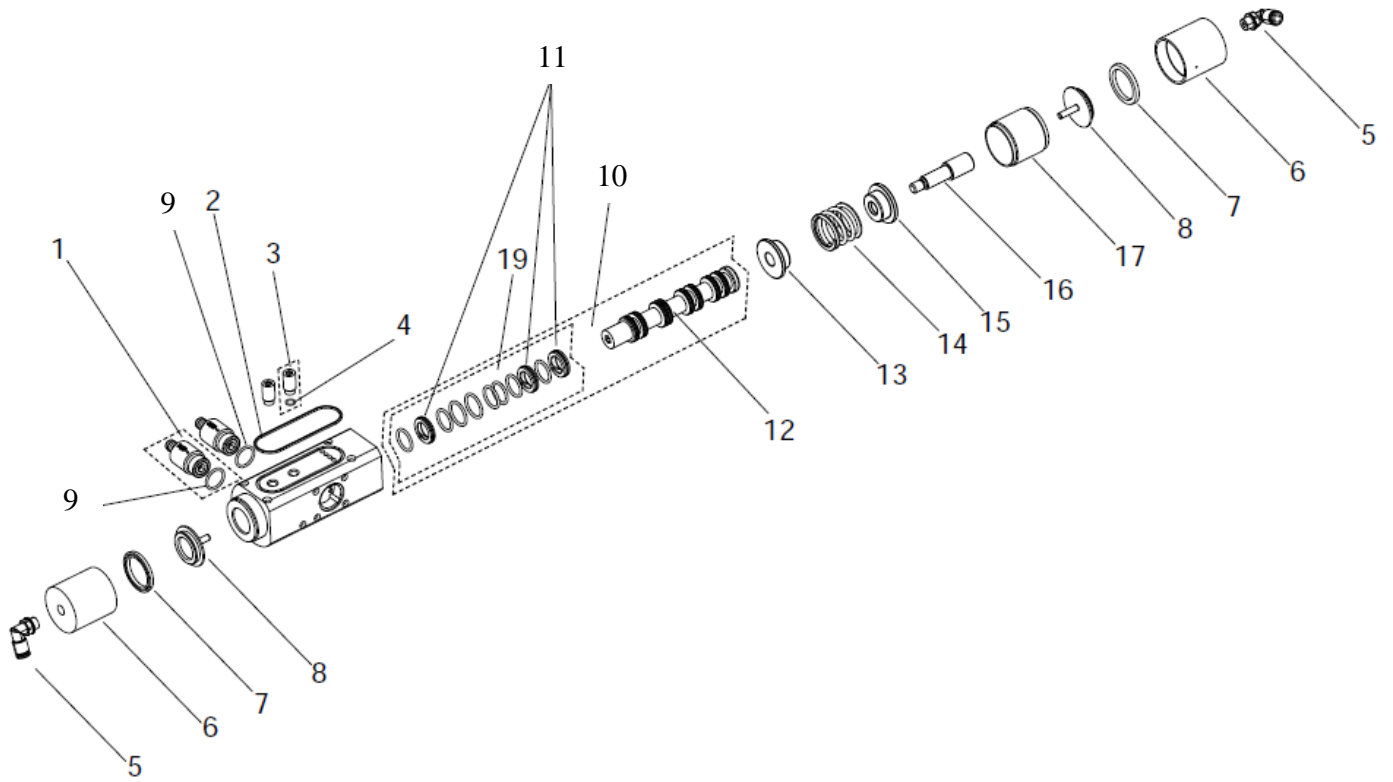
Pos. No.	Article No.	Description	No.
66	0600009	Screw for block	3
67	0603373	Inlet pipe	1
68	0603338	Non return valve	1
69	0600079	O-ring	1



Pos. No.	Article No.	Description	No.
70	359000	Air fitting	1
71	0646010	Non return valve	1
72	0608198	Nipple pipe	1
73	0670067	Outlet pipe	4
74	0602084	Screw	1
75	669110	Ball valve	1
76	0607773	Quick coupling	1

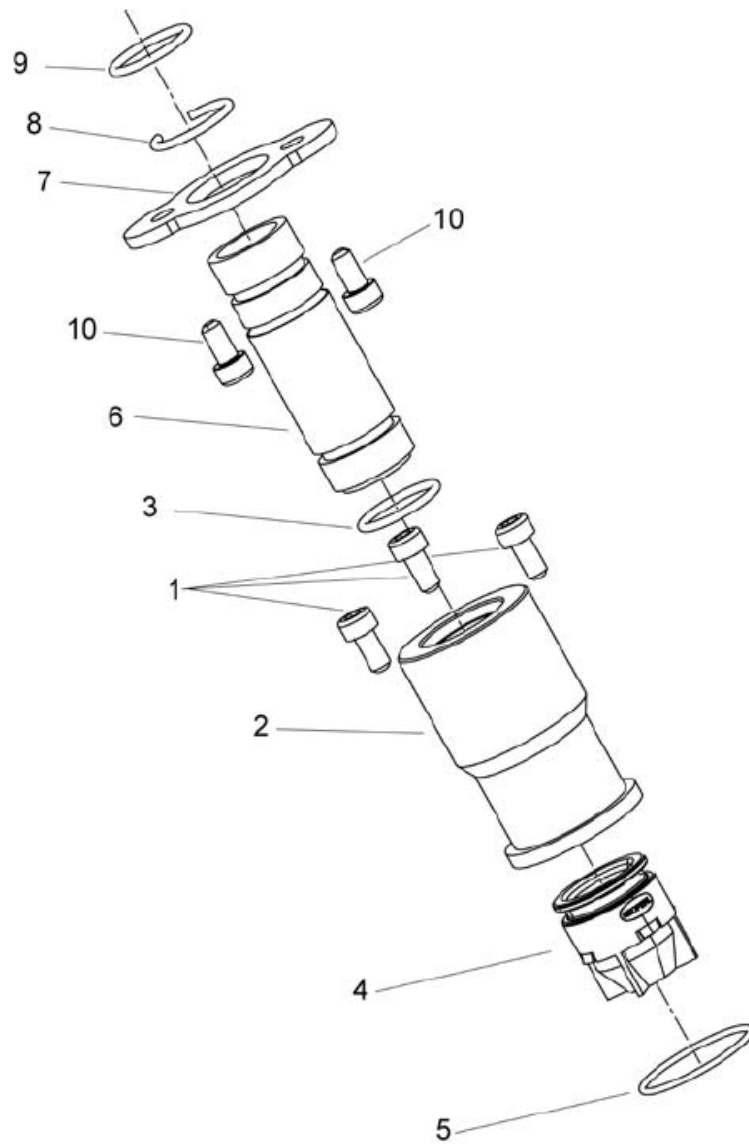
# Manuel outlet parts

03/2011 => 10/2014

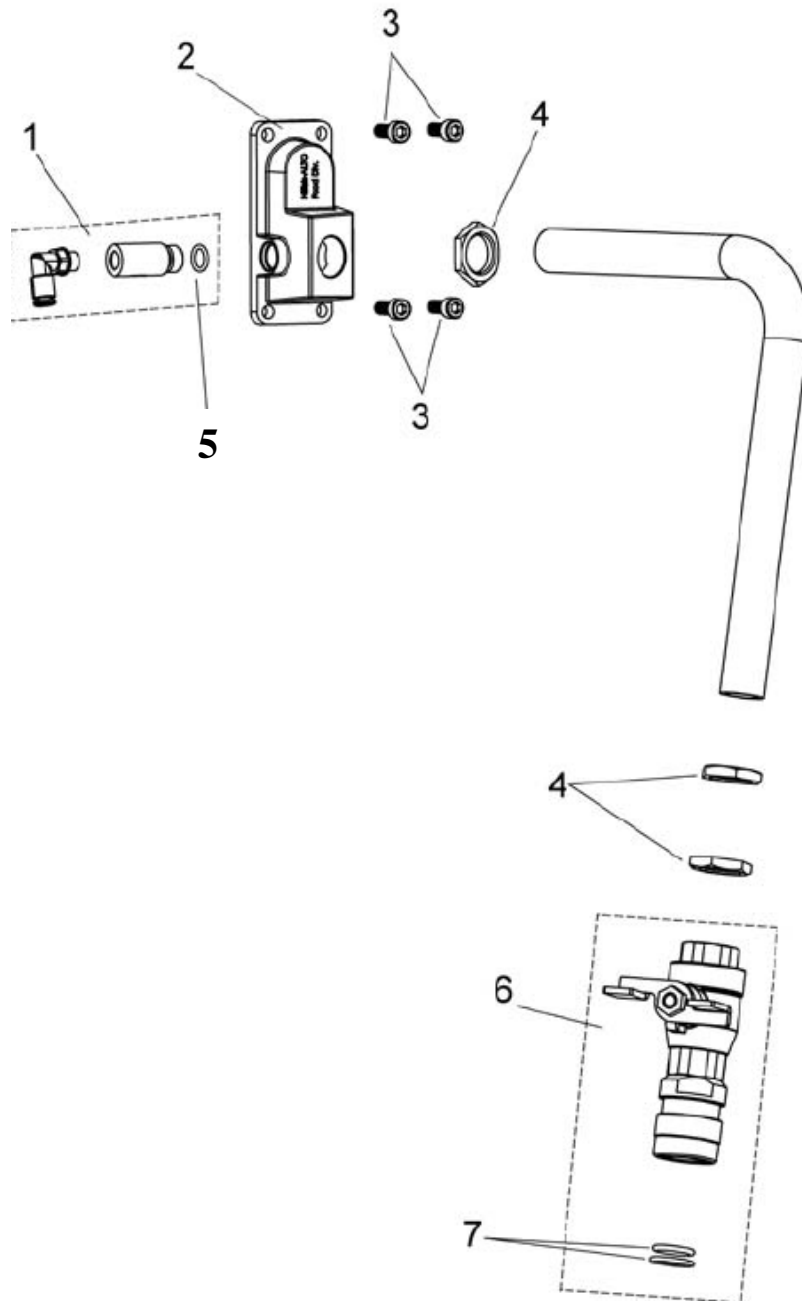


<b>Pos. No.</b>	<b>Article No.</b>	<b>Description</b>	<b>No.</b>
1	110001102	Non-return valve for chemicals	2
2	0635919	O-ring 56,87x1,78	1
3	110000216	Injector insert	2
4	353500	O-ring air nozzle	2
5	359200	Air fitting	2
6	0664253	Cylinder housing -short	1
7	0635920	Sealing	2
8	0664256	Air piston	2
9	110000696	O-ring 9,75x1,78	2
10	110000270	Axle for block – complete	1
11	110000040	Spare part kit - Bearing rings	1
12	0664248	Axle for block	1
13	0664250	Spring guide	1
14	0636038	Return spring	1
15	0664251	Spring guide	1
16	0664280	Guide for air piston	1
17	0664252	Cylinder housing long	1
19	0664336	Spare part kit – O-rings	1
20	0663014	4-way change over valve	1





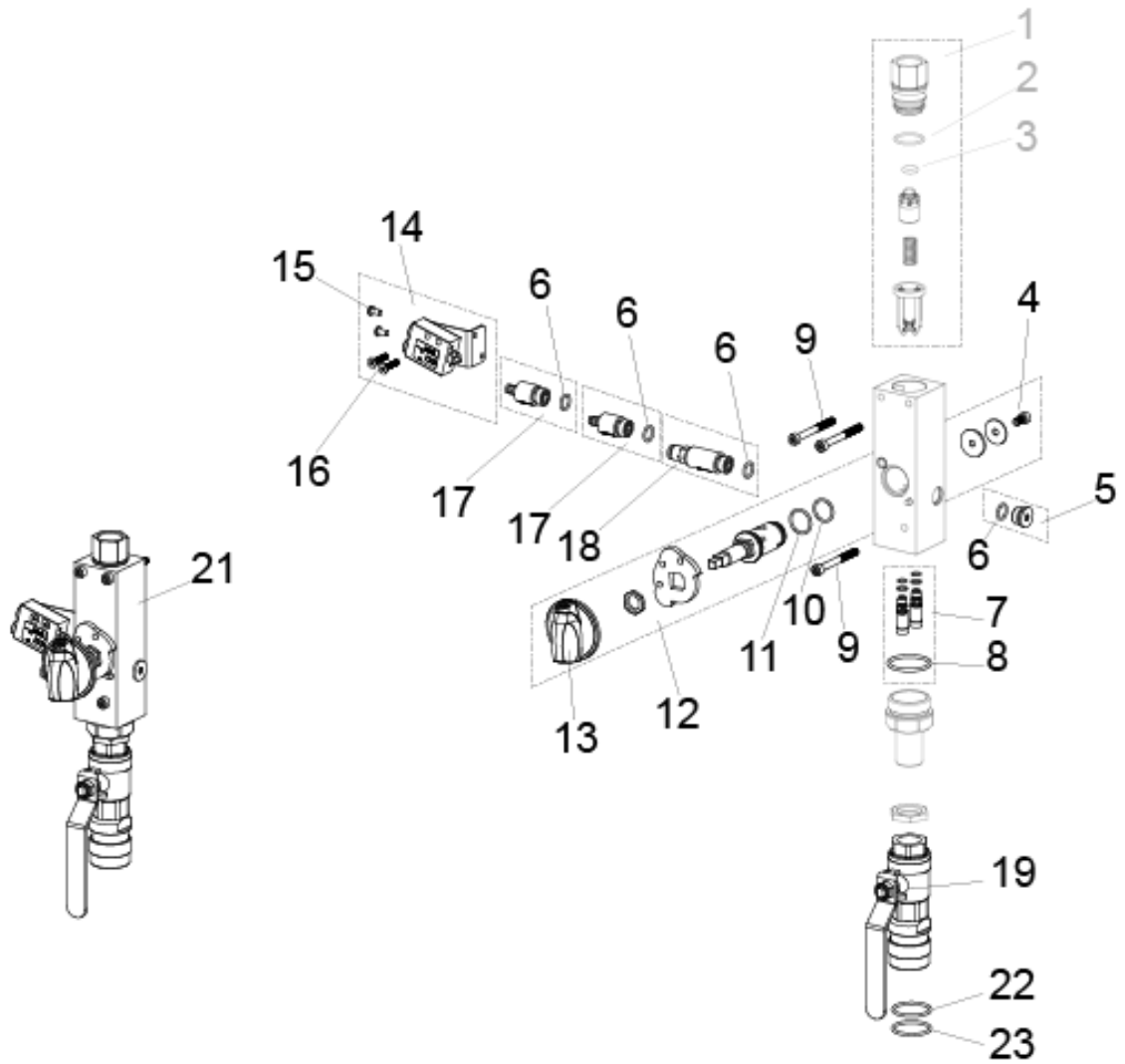
Pos. No.	Article No.	Description	No.
1	156417	Screw M6x10	3
2	0603511	Pipe for non-return valve	1
3	641102	O-ring 18x2	1
4	0603338	Non-return valve	1
5	0635911	O-ring 25,12x1,78	1
6	110002165	Inlet pipe angle	1
7	0605967	Mounting plate	1
8	350703	Spring ring	1
9	0635909	O-ring 17,17x1,78	1
10	0602094	Screw M6x12	2



Pos. No.	Article No.	Description	No.
1	110001096	Nor return valve for air with fitting	1
2	110001111	Utlet manifold	1
3	0602084	Scew M6x16	4
4	350705	Lock nut	3
5	110000696	O-ring 9,75x1,78	1
6	110001073	Ball valve with connection	1
7	641100	O-ring set	1

# Manuel outlet parts

10/2014 =>



<b>Pos. No.</b>	<b>Article No.</b>	<b>Description</b>	<b>No.</b>
1	110003279	Water non-return valve complete	1
2	110003276	O-ring kit	1
3	110003276	O-ring kit	1
4	110003277	Screw kit	1
5	110003206	Plug including o-ring	1
6	110003276	O-ring kit	1
7	110003283	Injector kit	1
8	110003276	O-ring kit	1
9	110003277	Screw kit	1
10	110003276	O-ring kit	1
11	110003276	O-ring kit	1
12	110003281	Axle for block complete	1
13	909100214	Operation button	1
14	110003282	Air regulator valve complete	1
15	11003277	Screw kit	1
16	110003277	Screw kit	1
17	11001102	Chemical non-return valve	2
18	110001979	Air non-return valve complete	1
19	110003682	Outlet coupling complete	1
21	110003405	Block complete	1