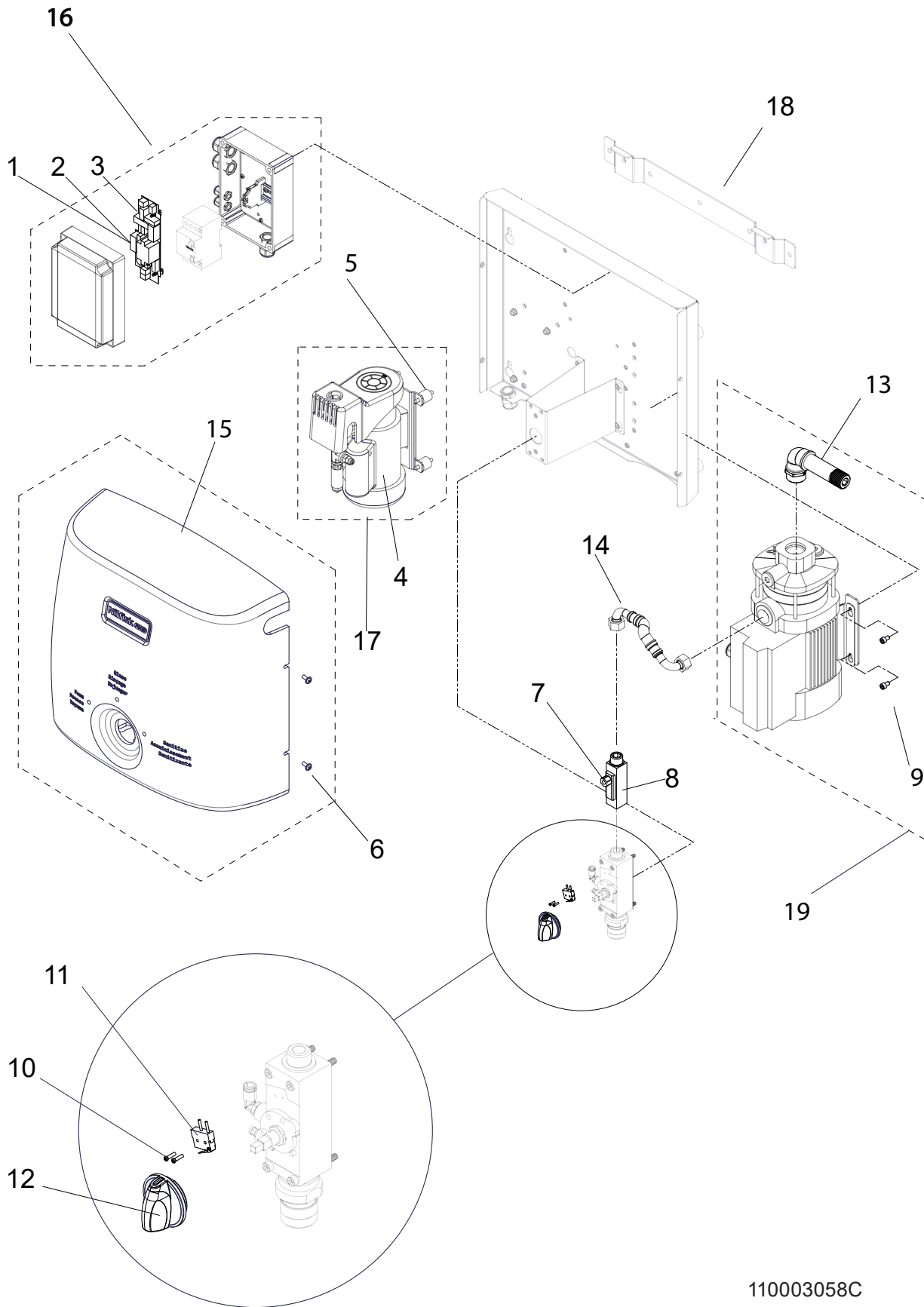


Recommended Spare parts

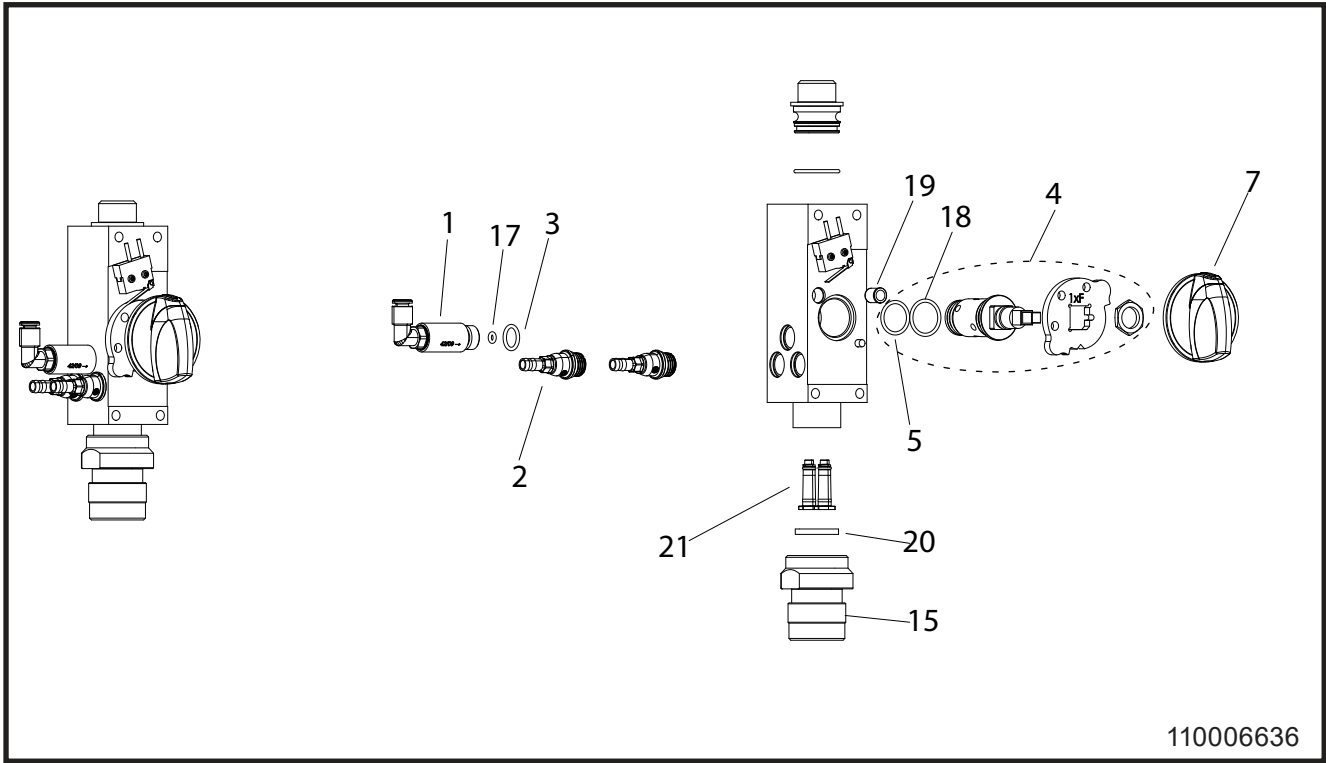


110003058C

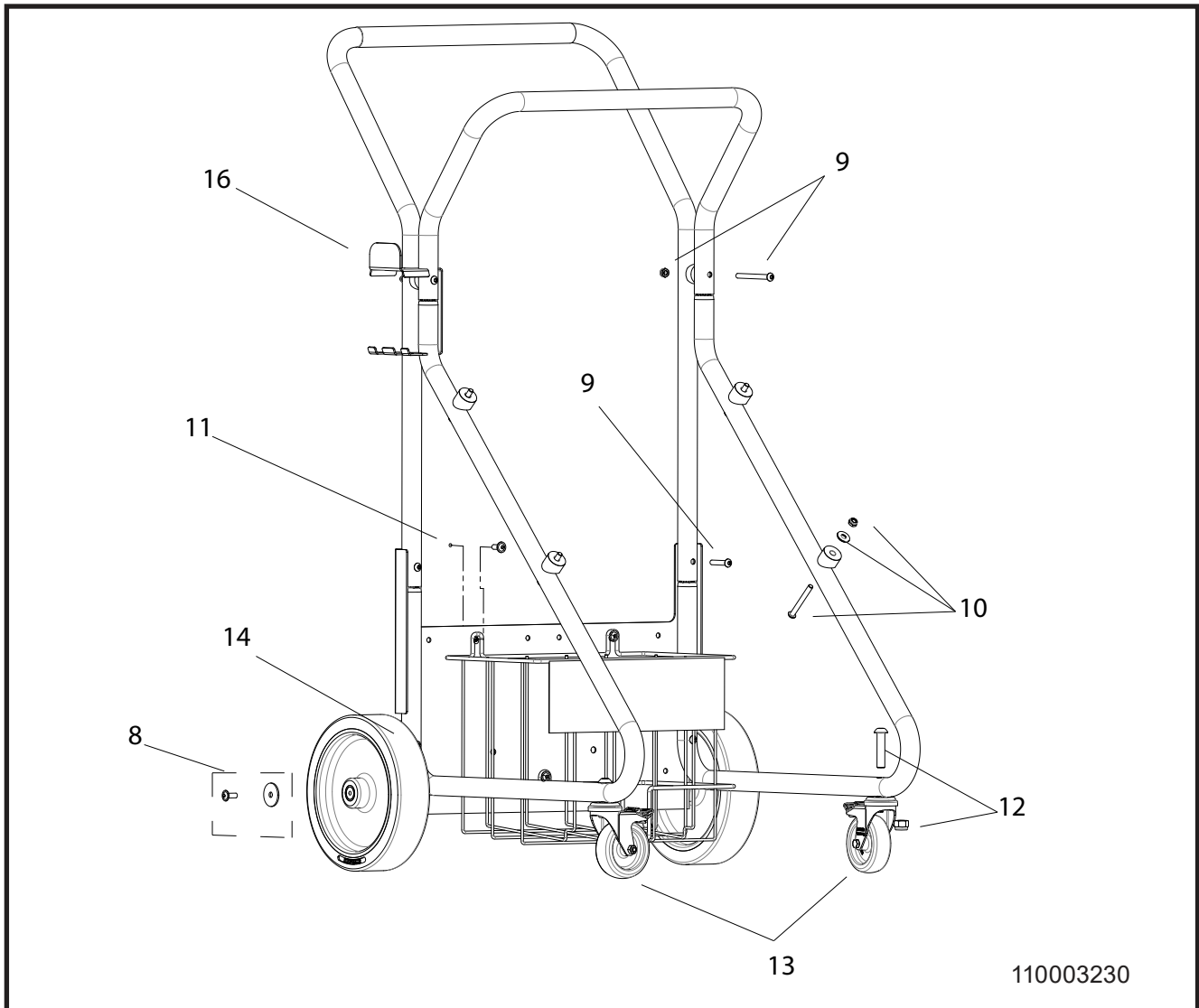
!	Pos./Ref.	Nr. No.	Description Désignation Designación				
•	1	110003742	Fuse 12 A				
•	2	110003743	Fuse 0,315 A				
•	3	110003701	Controller board				
•	4	110003159	Hose Teflon				
	5	110003173	Mounting kit for the compressor				
	6	110003168	Screws for cover				
	7	110003165	Reed switch for Flow switch				
•	8	110002638	Flow switch				
	9	110003169	Screws for pump & bracket				
	10	110003170	Screws for compressor switch				
•	11	110002636	Compressor switch				
	12	110003156	Selector knob				
	13	110003688	Water inlet connection kit				
	14	110005172	SS Braided hose				
	15	110006336	Frontcover cpl.				
	16	110002760	Elbox cpl.				
	17	110003699	Compressor cpl. 50Hz				
	17	110003700	Compressor cpl. 60 Hz				
	18	110002629	Wall bracket cpl.				
	19	110003697	Pump cpl. 50 Hz				
	19	110003698	Pump cpl. 60 Hz				

* Recommended spare parts / Empfehlenswerte Ersatzteile / Pièces de rechange conseillées / Piezas de repuesto recomendadas / Anbefalade Reservedele

• Inspection parts / Besichtigungsteile / Årligt



110006636



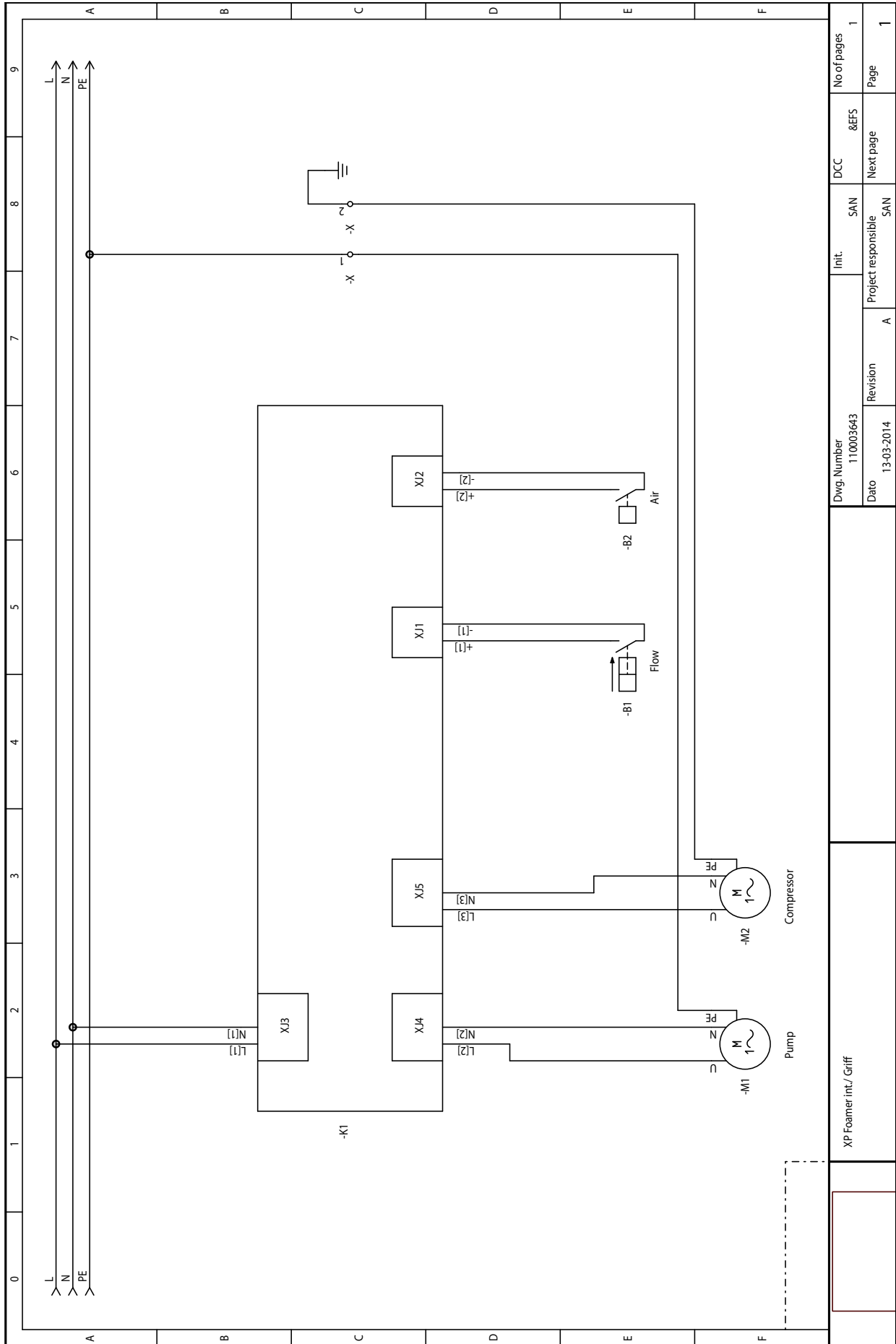
110003230

!	Pos./Ref.	Nr. No.	Description Désignation Designación				
*	1	110003096	Air Check valve				
•							
*	2	110004434	Product check valve				
•							
*	3	110005516 (110002952)	O-ring kit				
	4	110002501	Selector valve axel				
*	5	110005516 (110002956)	O-ring kit				
	6	110005516 (110003172)	O-ring kit				
	7	110003156	Selector knob				
		110002633	Block cpl.				
	8	110003205	Mounting kit for cart				
	9	110003204	Mounting kit for unit on cart				
	10	110003197	Mounting kit productholder				
	11	110003207	Mounting kit for caster				
	12	110003206	Mounting kit for wheels				
	13	110003177	Castor cpl.				
	14	110003176	Back wheel cpl.				
	15	110002985	Coupler				
	16	110004658	Bracket for nozzles and cables				
	17	110005516 (0635021)	O-ring kit				
	18	110005516 (110002955)	O-ring kit				
	19	110002392	Flexible pressure piece				
	20	110005516 (110002961)	O-ring kit				
	21	110004219	Injector kit				

* Recommended spare parts / Empfehlenswerte Ersatzteile / Pièces de rechange conseillées / Piezas de repuesto recomendadas / Anbefalade Reservedele

• Inspection parts / Besichtigungsteile / Årligt

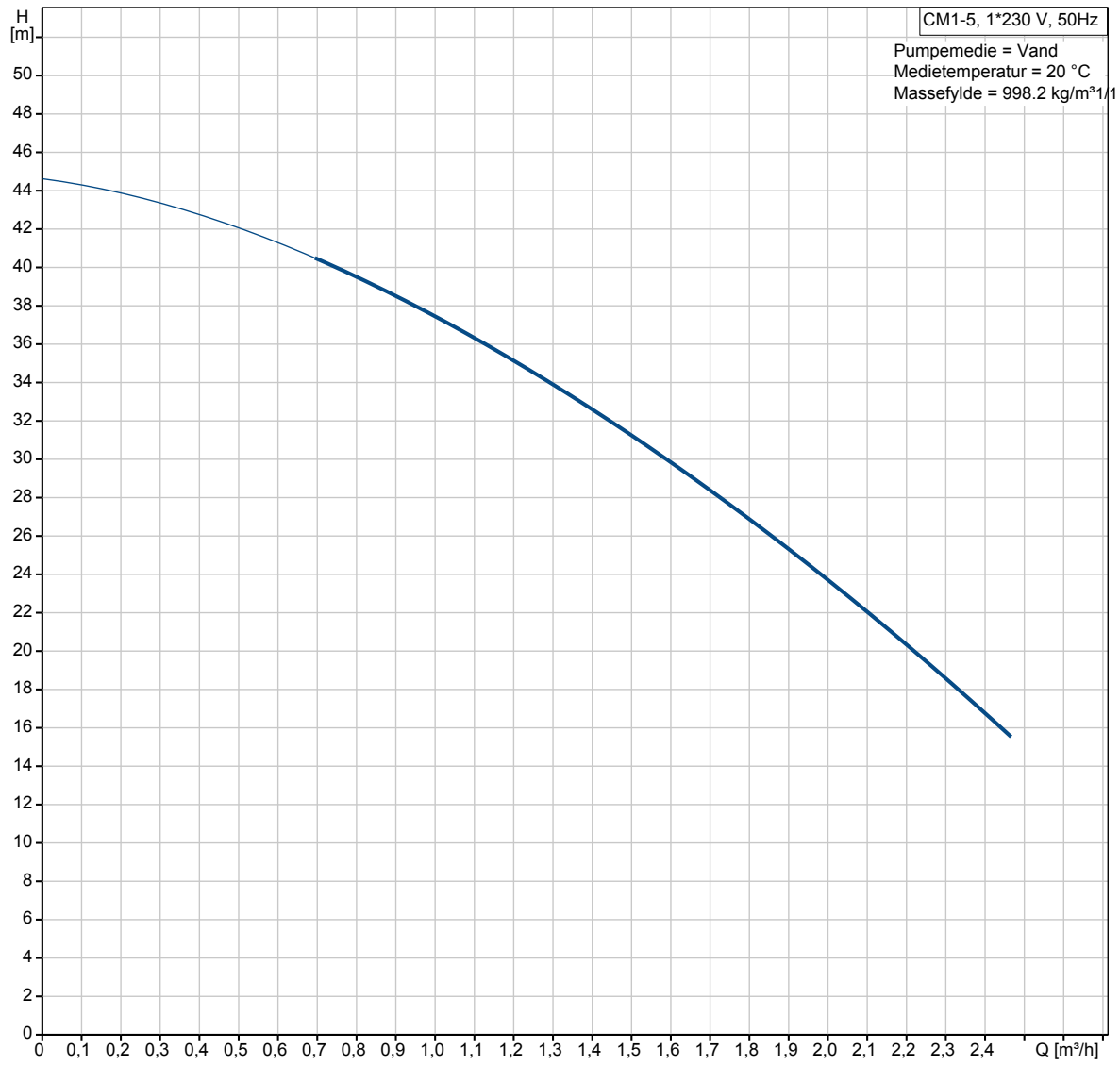
1. Electrical Diagrams



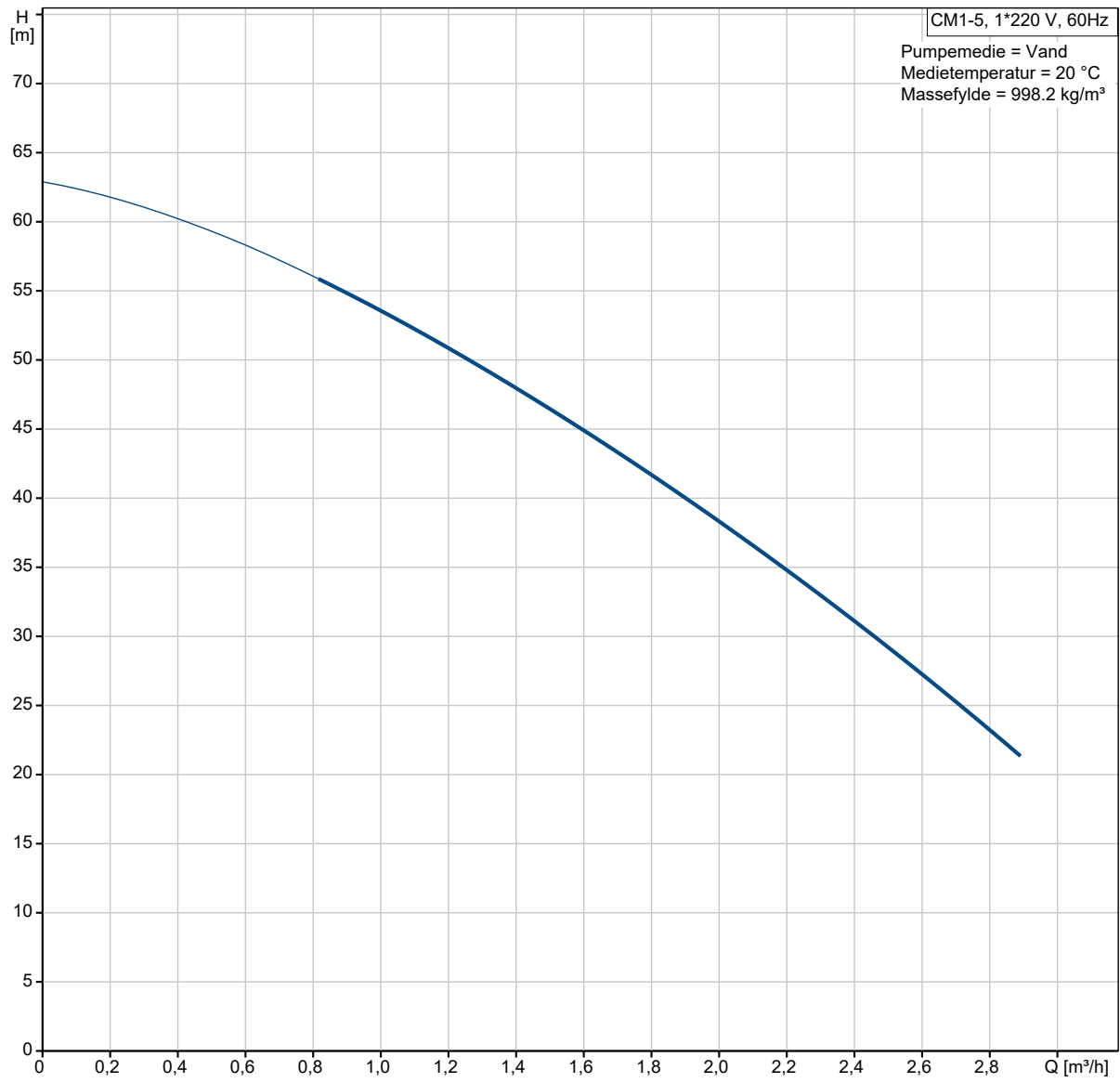
Dwg. Number 11 0003643		Init. SAN	DCC	No of pages 1
Date 13-03-2014	Revision A	Project responsible SAN	Next page	Page 1
XP Foamer int./Griff				

2. Pumpecurve

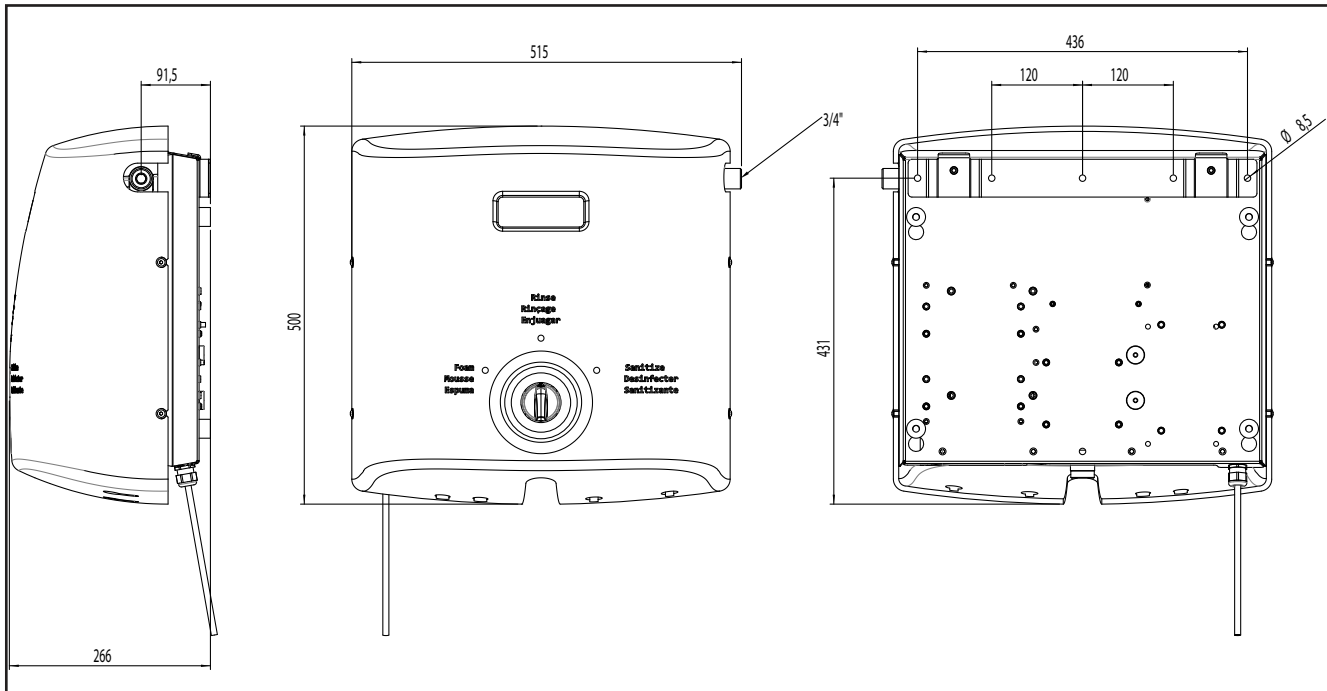
96806794 CM1-5 50 Hz



96935536 CM1-5 60 Hz



3. Installation



110004860A

Printed in Denmark

No.: 1100036692B 08/2020
Serial no: 104.01.000XXX

© 2014 All rights reserved
Distributor:

Nilfisk **FOOD**