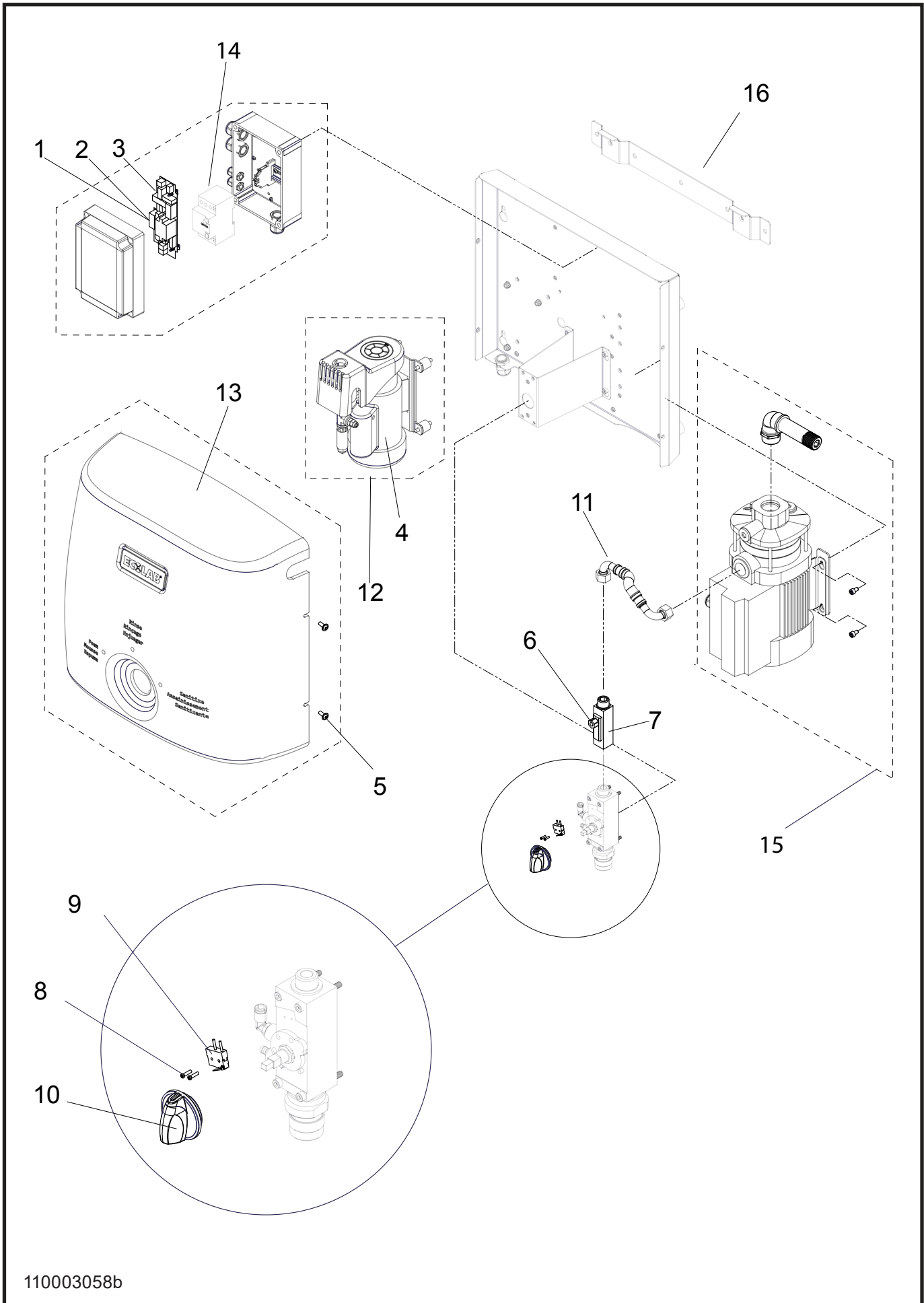
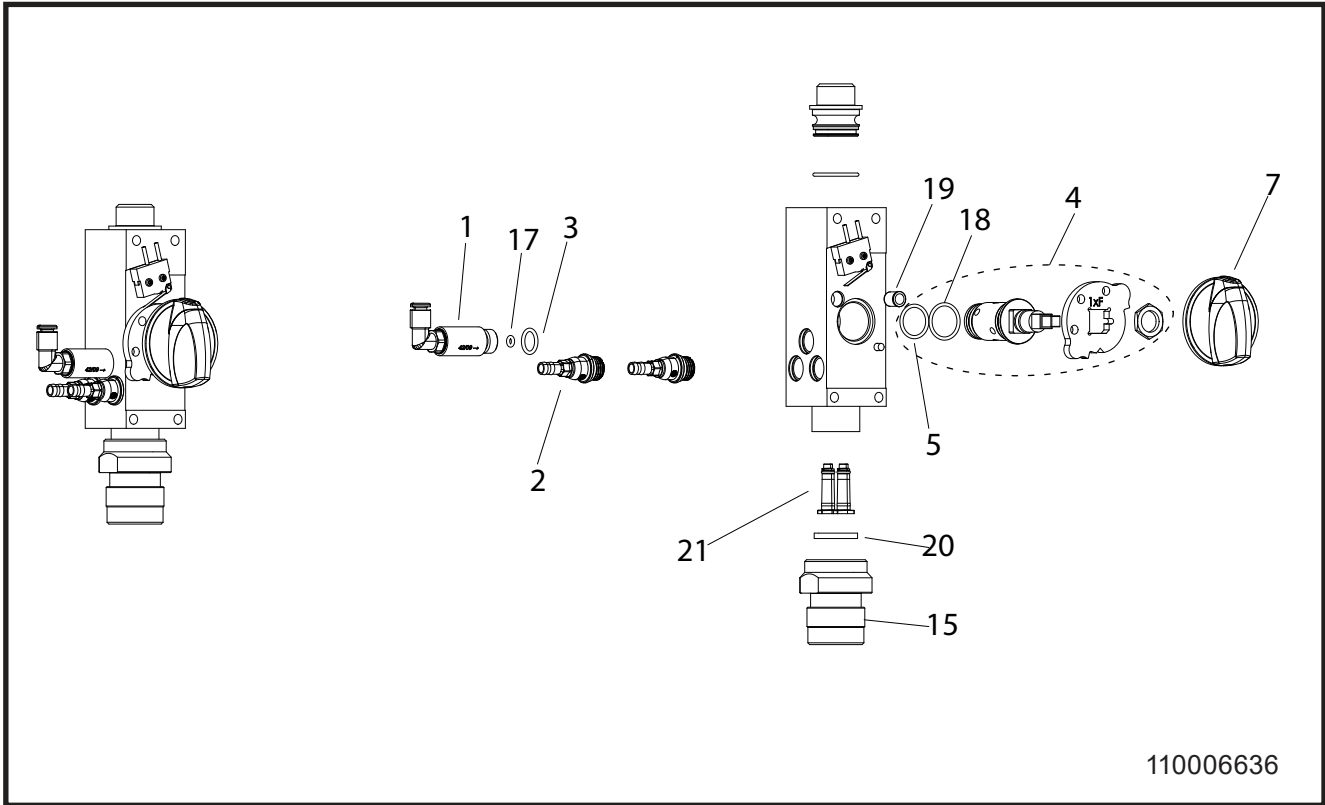


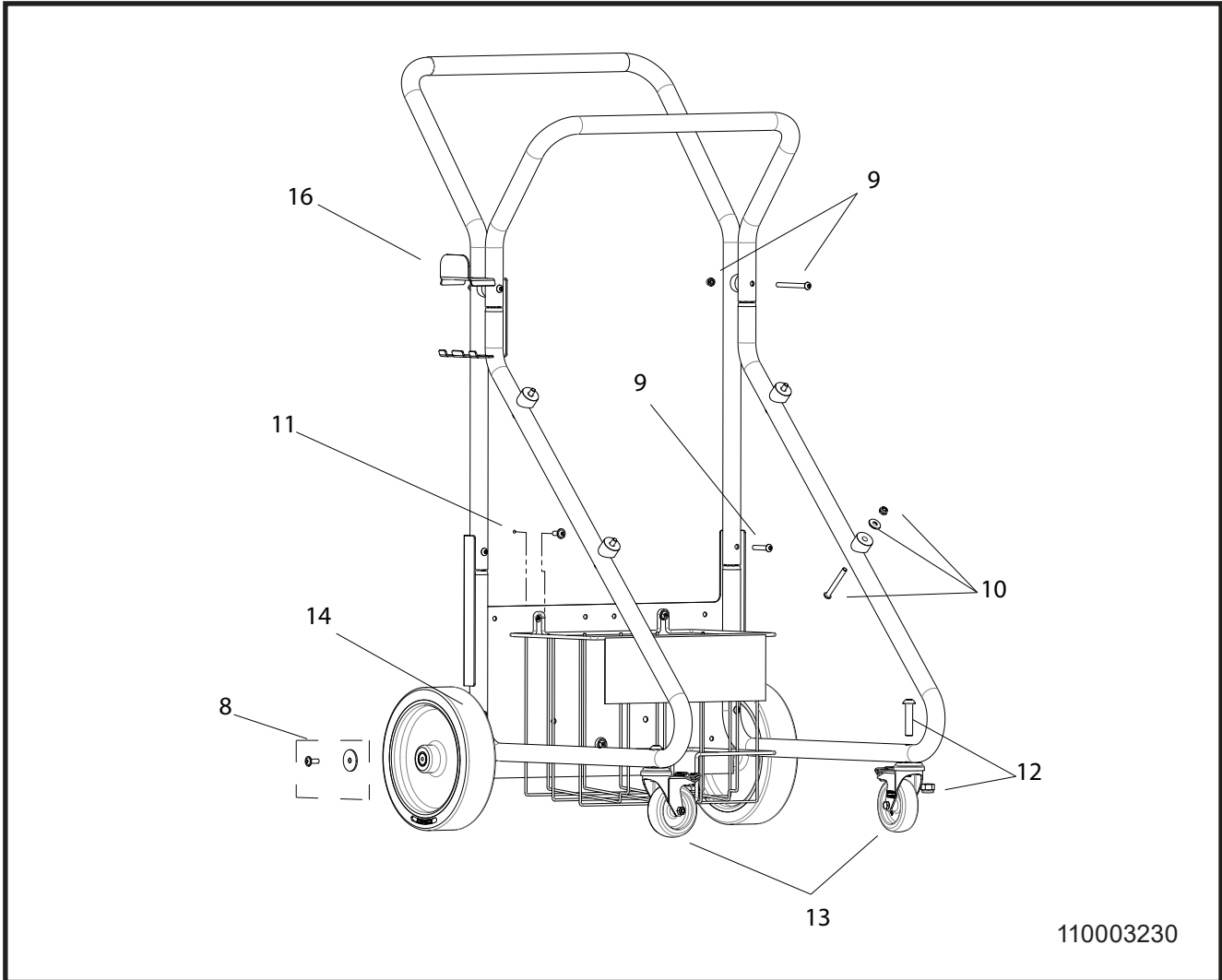
Recommended spare parts
Pièces de rechange conseillées
Piezas de recambio recomendadas



!	Pos./Ref.	Nr. No.	Kay Nr. No.	Description Désignation Designación
	1	110003166	83900071	Fuse 12 A Fusible 12 A Fusible 12A
	2	110003167	83900070	Fuse 0,315 A Fusible 0,315 A Fusible 0,315 A
	3	110002644	92214059	Controller board Carte processeur Placa controladora
	4	110003159	92214026	Hose Teflon Téflon de flexible Conducto de Teflon
	5	110003168	88020017	Screws for Cover Vis du couvercle Tornillos para la cubierta
	6	110003165	83050051	Reed switch for Flow switch Interrupteur rouge du régulateur de débit Interruptor de lámina para el interruptor de caudal
	7	110002638	83050050	Flow switch Régulateur de débit Interruptor de caudal
	8	110003170	88020018	Screws for compressor switch Vis pour l'interrupteur du compresseur Tornillos para el interruptor del compresor
	9	110002636	83055100	Compressor switch Interrupteur du compresseur Interruptor del compresor
	10	110003156	92214011	Selector knob Bouton de sélection Manija selectora
	11	110005172	85032013	SS braided hose Tuyau tressé acier inoxydable Manguera de acero inoxidable trenzado
	12	110002632	84550001	Compressor Compresseur Compresor
	13	110002630	92214058	Cover Couvercle Cubierta
	14	110002622	83000800	Thermal overload Surcharge thermique Sobrecarga térmica
	15	110002650	8460087	Pumpe cpl. Pompe, complète Bomba completa
	16	110002629	92213793	Wall bracket Support mural Soporta para pared



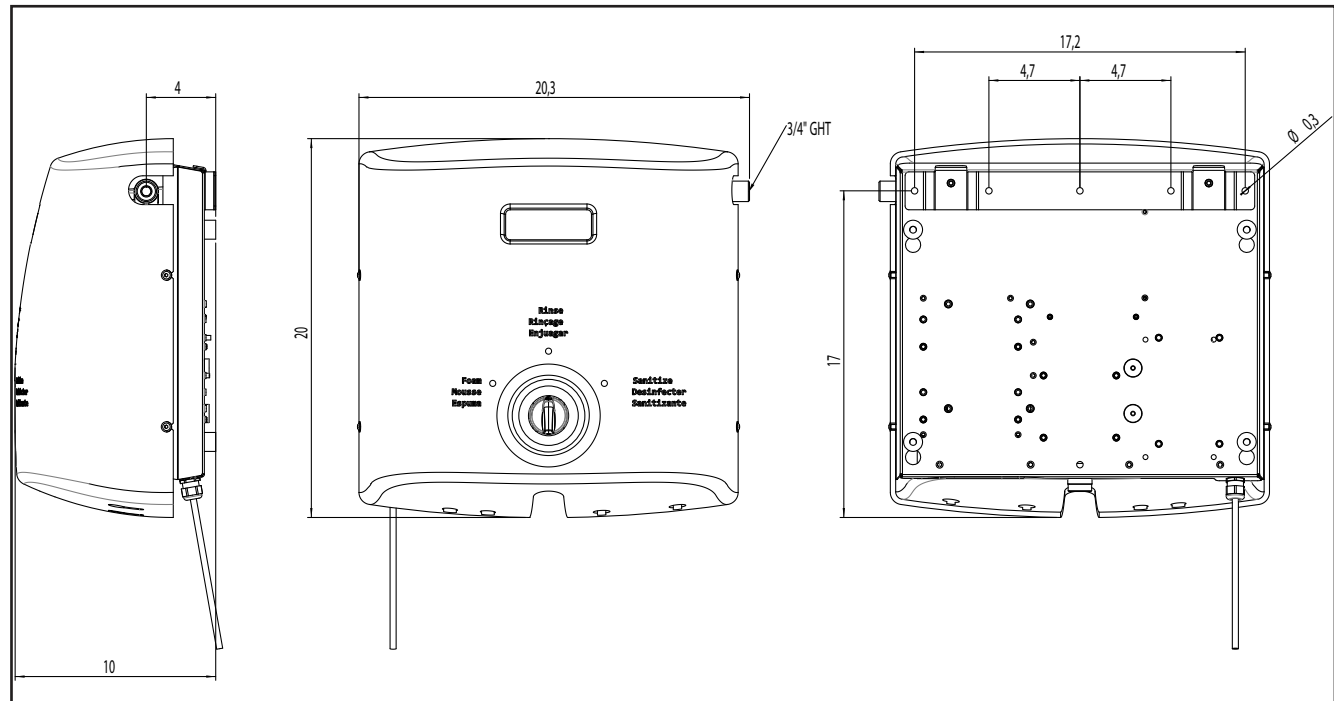
110006636



110003230

!	Pos./Ref.	Nr. No.	Kay Nr. No.	Description Désignation Designación
* •	1	110003096	Air Check valve	
* •	2	110004434	Product check valve	
*	3	110005516 (110002952)	O-ring kit	
	4	110002501	Selector valve axel	
*	5	110005516 (110002956)	O-ring kit	
	6	110005516 (110003172)	O-ring kit	
	7	110003156	Selector knob	
		110002633	Block cpl.	
	8	110003205	Mounting kit for cart	
	9	110003204	Mounting kit for unit on cart	
	10	110003197	Mounting kit productholder	
	11	110003207	Mounting kit for caster	
	12	110003206	Mounting kit for wheels	
	13	110003177	Castor cpl.	
	14	110003176	Back wheel cpl.	
	15	110002985	Coupler Coupleur Acoplador	
	16	110004658	Bracket for nozzles and cables	
	17	110005516 (0635021)	O-ring kit	
	18	110005516 (110002955)	O-ring kit	
	19	110002392	Flexible pressure piece	
	20	110005516 (110002961)	O-ring kit	
	21	110004219	Injector kit	

Installation



110004860A:USA



Printed in Denmark

No.: 110002801S 08/2019
Serial no: 101.01.000XXX

© 2013 All rights reserved

ECOLAB
KAY CHEMICAL COMPANY
8300 Capital Drive
Greensboro, NC. 27409
USA
(800) 529-5458

ECOLAB®