

Hybrid YETI

TW, HP, PD



Directions for use
Gebrauchsanweisung
Mode d'emploi
Instrucciones de uso



Hybrid YETI

EN Declaration of Conformity	DE Konformitätserklärung
FR Déclaration de Conformité	IT Dichiarazione di Conformità
ES Declaración de Conformidad	PT Declaração de Conformidade
EL Δήλωση Συμμόρφωσης	NL Overeenkomstigheidsverklaring
SV Försäkran om överensstämmelse	FI Vaatimustenmukaisuusvakuutus
DA Overensstemmelseserklæring	PL Deklaracja zgodności
RU Декларация о соответствии	HU Megfelelőségi nyilatkozat
SL Izjava o skladnosti	HR Izjava o usklađenosti
SR Deklaracija o konformitetu	RO Declarație de Conformitate
BG Декларация за съответствие	CS Prohlášení o shodě
SK Prehlásenie o konformite	TR Uygunluk Bildirgesi
ET Vastavusdeklaratsioon	LT Atitikties deklaracija
LV Paziņojums par atbilstību prasībām	UK Свідчення про відповідність вимогам

Nilfisk FOOD
Blytækkervej 2
9000 Aalborg
Danmark

EN Declaration of Conformity

We Nilfisk FOOD, declare under our sole responsibility that the products Hybrid Yeti, to which this declaration relates, are in conformity with these Council directives on the approximation of the laws of the EC member states:

Function: Hygiene Station
Model/Type: YETI TW, HP, PD
Serial number: All

Machinery Directive (2006/42/EC:2006-05-17).
Standard used: EN 12100:2011

DE Konformitätserklärung

Nilfisk FOOD, als alleinverantwortlich, erklären hiermit, dass: Hybrid Yeti.
In Übereinstimmung mit den Richtlinien zur Angleichung der Rechtsvorschriften der Mitgliedstaaten ist:

Funktion: Hygienestation
Modell/Typ: YETI TW, HP, PD
Seriennummer: Alle

Maschinendirektive (2006/42/EC:2006-05-17).
Standarden: EN 12100:2011

FR Déclaration de conformité

Nous, Nilfisk FOOD, déclarons sous notre propre responsabilité que les produits Hybrid Yeti, auxquels se réfère cette déclaration, sont conformes à ces directives du Conseil sur le rapprochement des législations des États membres :

Fonction : Station d'hygiène
Modèle/Type : YETI TW, HP, PD
Numéro de série : Tous

Directive 2006/42/CE du 17 mai 2006 relative aux machines
Normes appliquées: EN 12100:2011

IT Dichiarazione di conformità

Nilfisk FOOD dichiara sotto la sua esclusiva responsabilità che i prodotti Hybrid Yeti, ai quali fa riferimento la presente dichiarazione, sono conformi alle direttive del Consiglio concernenti il ravvicinamento delle legislazioni degli stati membri della UE:

Funzione: Stazione di igiene
Modello/Tipo: YETI TW, HP, PD
Numero di serie: Tutti

Direttiva Macchine (2006/42/CE:2006-05-17).
Standard utilizzato: EN 12100:2011

ES Declaración de conformidad

Nosotros, Nilfisk FOOD, declaramos bajo nuestra única responsabilidad que los productos Hybrid Yeti, a los que se refiere esta declaración cumplen con las directivas de este Consejo sobre la legislación de los estados miembros de la CE:

Función: Estación de limpieza
Modelo/tipo: YETI TW, HP, PD
Número de serie: All

Directiva sobre máquinas (2006/42/EC:2006-05-17).
Normativa usada: EN 12100:2011

PT Declaração de Conformidade

A Nilfisk FOOD declara, por sua exclusiva responsabilidade que os produtos Hybrid Yeti, referidos nesta declaração, se encontram em conformidade com estas diretivas do Conselho relativas à aproximação das disposições legislativas dos Estados-Membros da CE:

Função: Estação de higiene
Modelo/Tipo: YETI TW, HP, PD
Número de série: Todos

Diretiva relativa às máquinas (2006/42/CE:2006-05-17).
Norma utilizada: EN 12100:2011

EL Δήλωση συμμόρφωσης

Εμείς η Nilfisk FOOD, δηλώνουμε υπό την αποκλειστική μας ευθύνη ότι τα προϊόντα Hybrid Yeti, Με τον οποίο σχετίζεται αυτή η δήλωση, συμμορφώνονται με τις παρακάτω οδηγίες του συμβουλίου σχετικά με την προσέγγιση των νόμων των κρατών μελών της ΕΚ:

Λειτουργία: Σταθμός υγιεινής
Μοντέλο/Τύπος: YETI TW, HP, PD
Αριθμός σειράς: Όλοι

Οδηγία περί μηχανημάτων (2006/42/EC:2006-05-17).
Χρησιμοποιούμενο πρότυπο: EN 12100:2011

NL Verklaring van overeenstemming

Wij, Nilfisk FOOD, verklaren geheel onder eigen verantwoordelijkheid dat de producten Hybrid Yeti, waarop deze verklaring betrekking heeft, in overeenstemming zijn met de volgende Richtlijnen van de Raad betreffende de onderlinge aanpassing van de wetgevingen van de EG-lidstaten:

Functie: Hygiëne-installatie
Model/Type: YETI TW, HP, PD
Serienummer: Alle

Machinerichtlijn (2006/42/EG:17-05-2006).
Toegepaste norm: EN 12100:2011

SV Försäkran om överensstämmelse

Vi Nilfisk FOOD, tillkännager, under eget ansvar, att produkterna Hybrid Yeti, som omfattas av denna försäkran, är i överensstämmelse med rådets direktiv om tillnärmning av medlemsstaternas lagstiftning i EG:

Funktion: Hygienstation
Modell/typ: YETI TW, HP, PD
Serienummer: Alla

Maskindirektiv (2006/42/EC:2006-05-17).
Standard som används: EN 12100:2011

FI Vaatimustenmukaisuusvakuutus

Me Nilfisk FOOD vakuutamme yksinomaisella vastuulla, että tuotteet Hybrid Yeti, jota tämä vakuutus koskee, noudattavat direktiivejä, jotka käsittelevät EY:n jäsenvaltioiden lakien yhdenmukaisuutta koskien seuraavia:

Toiminto: Hygienia-asema
Malli/tyyppi: YETI TW, HP, PD
Sarjanumero: Kaikki

Konedirektiivi (2006/42/EY:2006-05-17).
Käytetty standardi: EN 12100:2011

DA Overensstemmelseserklæring

Nilfisk FOOD, erklærer under eneansvar, at produktet: Hybrid Yeti, som denne erklæring vedrører, er i overensstemmelse med følgende direktiver om tilnærmelse af EU medlemslandenes love:

Funktion: Hygiejnestation
Model/Type: YETI TW, HP, PD
Serienummer: Alle

Maskindirektiv (2006/42/EC:2006-05-17).
Standarder: EN 12100:2011

PL Deklaracja zgodności

Firma Nilfisk FOOD z pełną odpowiedzialnością oświadcza, że produkty Hybrid Yeti, których dotyczy ta deklaracja, spełniają wymogi poniższych dyrektywa Rady zgodnymi z prawem obowiązującym państwa członkowskie UE:

Funkcja: Stacja higieniczna
Model/typ: YETI TW, HP, PD
Numer seryjny: Wszystkie

Dyrektywa Maszynowa (2006/42/EC:2006-05-17).
Stosowana norma: EN 12100:2011

RU Декларация соответствия

Мы, Nilfisk FOOD, принимая на себя всю ответственность, заявляем, что продукты Hybrid Yeti, которых касается настоящая декларация, соответствуют данным директивам Совета о приблизительном соответствии законам стран-членов СЕ:

Функциональное назначение: Гигиеническая станция
Модель/Тип: YETI TW, HP, PD
Серийный номер: все

Директива машин (2006/42/EC:17-05-2006).
Используемый стандарт: EN 12100:2011

HU Megfelelőségi nyilatkozat

Mi, a Nilfisk FOOD, kizárólagos felelősségünk tudatában kijelentjük, hogy a Hybrid Yeti, Amelyekre ez a nyilatkozat vonatkozik, megfelelnek az EU tagállamok törvényi rendelkezéseinek közelítéséről szóló tanácsi irányelveknek:

Funkció: Higiéniai állomás
Modell/Típus: YETI TW, HP, PD
Sorozatszám: Összes

Gépekre vonatkozó irányelv (2006/42/EC:2006-05-17).
Alkalmazott szabvány: EN 12100:2011

SL Izjava o skladnosti

V podjetju Nilfisk FOOD pod izključno odgovornostjo izjavljamo, da so izdelki Hybrid Yeti, na katere se nanaša ta deklaracija, skladni z naslednjimi direktivami Sveta in ustreznimi zakoni v državah članicah ES:

Funkcija: Higijenska postaja
Model/tip: YETI TW, HP, PD
Serijska številka: Vse

Direktiva o strojih (2006/42/ES:2006-05-17).
Uporabljeni standardi: EN 12100:2011

HR Izjava o usklađenosti

Mi, tvrtka Nilfisk FOOD, izjavljuje pod potpunom odgovornošću da su proizvodi Hybrid Yeti, na koje se ova izjava odnosi, skladni sa sljedećim uredbama Vijeća za približnost zakona država članica Europske zajednice:

Funkcija: Higijenska postaja
Model/vrsta: YETI TW, HP, PD
Serijski broj: Svi

Izjava o strojevima (2006/42/EC:2006-05-17).
Primijenjena norma: EN 12100:2011

SR Deklaracija o konformitetu

Mi, Nilfisk FOOD, izjavljujemo pod sopstvenom isključivom odgovornošću da su proizvodi Hybrid Yeti, na koje se odnosi ova izjava, u skladu sa direktivama Veća o primeni zakona država članica EZ:

Funkcija: Stanica za higijenu
Model/tip: YETI TW, HP, PD
serijski broj: Kompletna

Direktiva o mašinama (2006/42/EC:2006-05-17).
Primenjen standard: EN 12100:2011

RO Declarație de conformitate

Subscrisa, Nilfisk FOOD, declară pe propria răspundere că produsele Hybrid Yeti La care se referă prezenta declarație, sunt în conformitate cu următoarele directive ale Consiliului privind apropierea legislațiilor statelor membre CE:

Funcție: Stație de igienizare
Model/Tip: YETI TW, HP, PD
Număr de serie: toate

Directiva Mașini (2006/42/EC:2006-05-17).
Standarde utilizate: EN 12100:2011

BG Декларация за съответствие

Ние, Nilfisk FOOD, декларираме на своя отговорност, че продуктите Hybrid Yeti, за които се отнася настоящата декларация, са в съответствие със следните директиви на Съвета относно сближаването на законодателствата на държавите членки на ЕО:

Функция: Хигиенна станция
Модел/Тип: YETI TW, HP, PD
Сериен номер: Всички

Директива относно машините (2006/42/ЕО: 17.05.2006 г.).
Използван стандарт: EN 12100:2011

CS Prohlášení o shodě

Společnost Nilfisk FOOD na vlastní odpovědnost prohlašuje, že produkty Hybrid Yeti, na které se toto prohlášení vztahuje, vyhovují požadavkům následujících směrnic rady v rámci harmonizace se zákony členských států EU:

Funkce: Hygienická stanice
Model/Typ: YETI TW, HP, PD
Výrobní číslo: Všechna

Směrnice o strojních zařízeních (2006/42/EC:2006-05-17).
Použitá norma: EN 12100:2011

SK Prehlásenie o zhode

My, spoločnosť Nilfisk FOOD týmto na našu výhradnú zodpovednosť vyhlasujeme, že produkty Hybrid Yeti, na ktoré sa toto vyhlásenie vzťahuje, sú v súlade s nasledujúcimi smernicami Rady o aproximácii zákonov členských štátov ES:

Funkcia: Hygienická stanica
Model/typ: YETI TW, HP, PD
Sériové číslo: Všetky

Smernica o strojních zariadeniach (2006/42/ES: 17.5.2006).
Použitá norma: EN 12100:2011

TR Uygunluk Beyanı

Biz Nilfisk FOOD olarak tamamen kendi sorumluluğumuz altında beyan ederiz ki, bu beyanın konusu olan Hybrid Yeti, ürünün AT üye ülkelerinin yürürlükteki yasaları kapsamında Konsey direktiflerine uygundur:

Fonksiyon: Hijyen İstasyonu
Model/Tip: YETI TW, HP, PD
Seri numarasi: Tümü

Makine Direktifi (2006/42/EC:2006-05-17).
Kullanılmış standartlar: EN 12100:2011

ET Vastavusdeklaratsioon

Käesolevaga kinnitab Nilfisk FOOD oma ainuvastutusel, et tooted "Hybrid Yeti" mille kohta käesolev deklaratsioon kehtib, vastavad nõukogu direktiividele ELi liikmesriikide õigusaktide ühtlustamise kohta:

Funktsioon: Hügieenijaam
Mudel/tüüp: YETI TW, HP, PD
Seerianumber: kõik

Masinaidirektiiv (2006/42/EÜ:2006-05-17).
Kasutatav standard: EN 12100:2011

LT Atitikties deklaracija

Mes, bendrovė „Nilfisk FOOD“, išimtinai savo atsakomybe pareiškiame, kad gaminiai pavadinimu „Hybrid Yeti“, kuriems taikoma ši deklaracija, atitinka šias Tarybos direktyvas dėl EB valstybių narių įstatymų suderinimo:

Paskirtis: Higienos terminalas
Modelis / tipas: YETI TW, HP, PD
Serijos numeris: visi

Mašinų direktyvą (2006/42/EB:2006-05-17),
taikytas standartas: EN 12100:2011

LV Atbilstības deklarācija

Mēs, uzņēmums „Nilfisk FOOD”, uzņemties pilnu atbildību, apliecinām, ka produktu Hybrid Yeti, uz kuru šī deklarācija attiecas, atbilst tālāk norādītajām Padomes direktīvām par ES dalībvalstu likumdošanas tuvināšanu.

Funkcija: Higiēnas stacija.
Modelis/tips: YETI TW, HP, PD
Sērijas numurs: visi.

Mašīnu direktīva (2006/42/EK, 17.05.2006.)
Izmantotais standarts: EN 12100:2011

Technical file responsible:

Flemming Asp
Nilfisk FOOD
Blytaekkervej 2
9000 Aalborg, Denmark

UK Свідчення про відповідність вимогам

Ми, Nilfisk FOOD, з повною відповідальністю заявляємо, що продукти Hybrid Yeti, До яких відноситься ця декларація, перебувають у відповідності до наведених нижче директив Ради ЄС щодо зближення законодавства держав-членів ЄС:

Функція: Гігієнічна станція
Модель/Тип: YETI TW, HP, PD
Серійний номер: усі

Директива щодо машинного обладнання (2006/42/ЄС:2006-05-17).
Використаний стандарт: EN 12100:2011

Signature:











Flemming Asp
R & D Manager
Aalborg d. 11-05-2022

1. Contents

- 2. Symbols used in this document 8
- 3. General information 9
 - 3.1. Identification Plate 10
 - 3.2. Supplier 10
 - 3.3. Specifications 11
- 4. Overview and Use 12
- 5. System Safety 12
 - 5.1. Closing valve for water supply 12
 - 5.2. Closing valve for air supply 12
 - 5.3. Anticipated failures 12
 - 5.4. Rest Risk 13
- 6. Installation 13
 - 6.1. Noise 13
 - 6.2. Directions for Mounting 13
 - 6.3. Transportation 13
 - 6.4. Vibrations 13
 - 6.5. Water Connection 13
 - 6.6. Air Connection 14
 - 6.6.1. Supply of Detergent 14
 - 6.7. Hose Connection 14
- 7. Operation procedures 15
 - 7.1. Start up 15
 - 7.1.1. Start 15
 - 7.1.2. Stop 15
 - 7.1.3. Adjustment of detergent 15
 - 7.1.4. Adjustment of air 15
 - 7.2. Maintenance, trouble shooting and Service 16
- 8. Operation 16
 - 8.1. Before Operation 16
 - 8.2. Start/Stop (change, rinse, foam, des) 16
- 9. Maintenance, Trouble shooting, Service 17
 - 9.1. Preventive maintenance 17
 - 9.2. Rinsing the chemical supply/injector system 17
 - 9.3. Deliming 17
 - 9.4. Coupling 17
 - 9.5. Internal cleaning of the unit 17
 - 9.6. Trouble Shooting and Remedy 18
 - 9.7. Service addresses and Warranty 19
- 10. Tools 22
- 11. End of Use 23
 - 11.1. Dismounting 23
 - 11.2. Disposal 23

2. Symbols used in this document

	Read before Use
	Wear glasses when using the unit.
	Wear gloves and suitable clothing when using the unit.
	<p>Note: A potentially damaging situation. Possible consequences: The product or something in its vicinity could be damaged. Prevention.</p>
	<p>Caution: A dangerous situation. Possible consequences: light or minor injuries. Can also be used to warn against damage to property or other goods prevention.</p>
	<p>Warning: A Potentially dangerous situation. Possible consequences: Death or severe injury Prevention.</p>
	<p>Danger: A dangerous situation. Possible consequences: Death or severe injury Prevention.</p>
	<p>Danger: Warning! Sharp edges – watch your fingers.</p>

3. General information

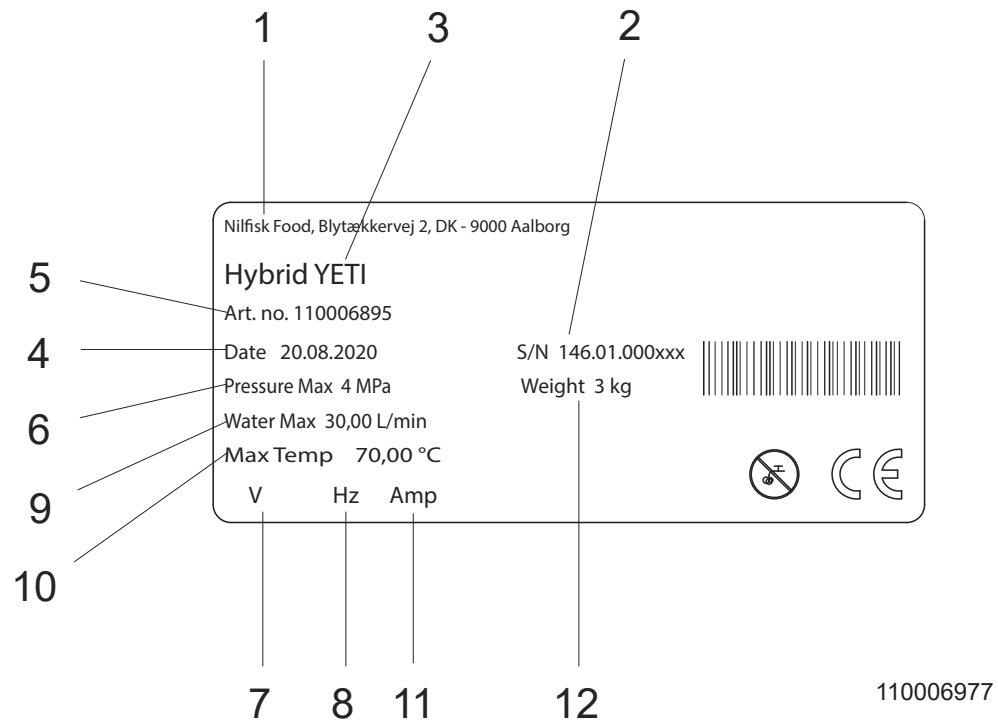
Nilfisk FOOD congratulates you on your new low-pressure foam and sanitising cleaning equipment.

The equipment provides the latest standard of technology in low pressure cleaning equipment in your factory.

The equipment can be used for rinsing, foaming and application of disinfectants.

It is important that your operational staff read these directions for use prior to installation, start up and use of the equipment.

3.1. Identification Plate



1. Producer
2. Serie No.
3. Type
4. Date of production
5. Article No.
6. Maximum pressure
7. Supply voltage
8. Frequecy
9. Maximum water consumption
10. Maximum temperature
11. Current
12. Weight.

3.2. Supplier

Nilfisk FOOD
 Blytækkervej 2
 DK-9000 Aalborg, Denmark
 Tel.: +45 7218 2000
 CVR no. 6257 2213
 www.nilfiskfood.com

3.3. Specifications

Technical Data				
	Units	TW	HP	PD
Water				
Connection type inlet /outlet	Inch	1/2"		
Recommended inlet pipe dimension (min)	Inch	3/4"		
Max. Outlet pressure	bar	40	80	25
Consumption during foaming	l/min	6	7	6
Min. supply pressure	bar	3	30	6
Max. supply pressure	bar	7	80	25
Min. supply.	l/min	10	10	10
Max. temp.	C	70°	70°	70°
Air				
Connection type inlet	mm	Ø6 push in		
Min. pressure of air supply	bar/MPa	6/0.6		
Max. pressure air supply	bar/MPa	9/0.9		
Required flow rate	NI/min	75		
Nozzles (recommended)				
Rinsing nozzle		25/30		
Foam nozzle		50/150		
Spray nozzle		40/30		
General				
Number of products		1		
Max. hose length (recommended)	meter	25		
Dimensions H x W x D	mm	258 x 203 x 107		
Weight	kg	3,2		

4. Overview and Use

The YETI unit is a complete cleaning station to be connected to a booster unit or a main station. The unit requires sufficient supply of water, compressed air and detergent or disinfectant.

Consumptions:

The unit is approved for the use of detergents or disinfectants.



Warning: Do not change the settings made or recommended by the supplier of the detergents!

Detergents are supplied via a User Pack system or from separate standard cans. Supply is also possible via piping systems.

Before installation and set up of the unit always read this instruction thoroughly. Always make sure to follow personal safety procedures for chemicals in connection with refilling procedures (product change), maintenance and repair. See also product label and MSDS sheet.

Safety instructions

Only professional service personnel are allowed to carry out service and repairs on the unit.

Only instructed personnel are allowed to operate the unit.

5. System Safety

In case of error/defect or service on equipment:

1. close the water supply
2. close the air supply

5.1. Closing valve for water supply.

With this valve the unit can be isolated from the water supply. Further, a non-return valve is built in the block to prevent backflow of water.

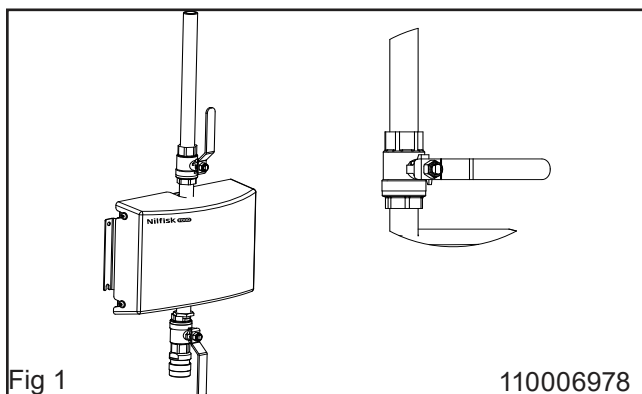


Fig 1

110006978

5.2. Closing valve for air supply.

We recommend mounting a closing valve with two air non-return valves on the air inlet.

This makes it possible to disconnect the air supply and prevent backflow of air.



Wear glasses when using the unit.



Wear gloves and suitable clothing when using the unit.

5.3. Anticipated failures

Bursted air tube in unit:

- The unit must never be used without the front cover being mounted.
- The air closing valve on /in connection with the unit must always be closed when not in use.
- Air tube and fitting should be examined regularly and exchanged in case of visible damages.

Breakdown of non-return valves for air and water:

- The unit must never be used without the cover being mounted.
- Air and water closing valve on/in connection with the unit must always be closed when the unit is not in use.
- After use of the unit all chemical non-return valves must be thoroughly rinsed with clean water. Follow instructions in paragraph 9.2.
- Non-return valves for air and water should be examined minimum once a year by authorised personnel for defects.

Repair of unit:

- Do not attempt to repair a defect unit by yourself. Always contact an authorised service company.
- Block and mark any defect unit in order to avoid unintended use - see paragraph below regarding "Rest risk - Use of the unit"
- For safety reasons only use approved and original spare parts.

5.4. Rest Risk

Use of Unit:

- Never use the unit without prior instructions in use of the unit and its safety instructions. The instruction must be prepared by an educated/instructed personnel.
- Never use the unit without having read the enclosed guide and safety instructions.
- Always close water and air supply after use.

Damaged unit:

- Never use the unit if leakages (air, water or chemical) are observed.
- Never use the unit if it is not possible to operate the closing valves and/or if it is not possible to select required operation.
- Never use the unit if it has been dislodged for its original place of mounting.

6. Installation

For safety reasons it is important to read all of the enclosed information before installation of this equipment. In addition, the legislation in force at the time of purchase must always be considered in connection with the installation and mounting of this equipment, no matter the contents of this manual. If there are matters of dispute please contact your dealer.

6.1. Noise

Sound level according to ISO 11202; Below 70 dB

6.2. Directions for Mounting



- The unit should be mounted in frost-free rooms only.
- The unit can be mounted on a wall or on a separate frame which may be installed in production areas and anchored to the floor.
- For mounting on walls, please note the following:
- The wall for mounting should be either a stable brick wall or a wall made of concrete.



- The delivered bracket should be secured to the wall by the enclosed screws and corresponding dowels
- The wall bracket should be mounted on the wall according to the above description and the station is hung on to the bracket. The hose and User Pack holders should be mounted afterwards. (See Installation/Mounting)

6.3. Transportation

For secure transportation of the unit, we recommend always to ensure, that the unit can not slide or tip.

The unit might have to be secured with straps.

Transportation of the unit only in horizontal position:

The unit must not be placed on the front where you find the operation panel. Neither can it be placed on top or bottom where connections and outlets are mounted.

In case the unit is moved at a temperature of approx or below 0°C (32°F), you must always make sure that the the unit has been fully emptied for water. If this is not the case, you may damage the unit.

6.4. Vibrations

Hand-arm vibrations according to ISO 5349-1

6.5. Water Connection



- Before the unit is connected to the water supply pipe, the supply line should be rinsed carefully in order to remove coarse impurities and metal shavings.
- The connection for water must be made at the top of the unit. (see layout drawing).
- Minimum internal diameter of the supply pipe must be at least 1/2" external (ø16mm internal).
- The unit must be fitted with a closing valve for water on the inlet (see layout drawing).
- The pressure loss in the supply line must be held as low as possible by
 - avoiding long supply pipes
 - mounting low pressure resistance ball valves and
 - avoiding fittings with high pressure loss.
- When installing the piping, take care to avoid air traps.
- All pipe connections to the unit must be screwed connections ensuring simple maintenance and dismantling of the station.

Max. allowed temperature of supply water.

Max. allowed pressure of supply water.

Water consumption at rinsing mode.

(see 3.3. Technical data)



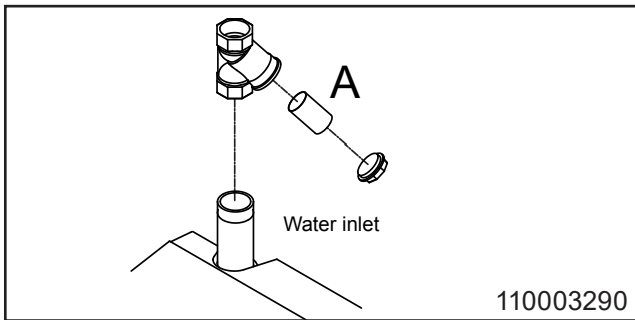
For an optimum functioning of the injector system, we recommend installing a filter on the inlet to avoid impurities.

6.6. Air Connection



Before the unit is connected to the air supply, the pipe system must be carefully rinsed in order to remove coarse impurities.

- The unit requires an air supply boosting
 - an inlet pressure of minimum 2/6 bar (see 3.3 technical data)
 - a minimum capacity of 200 l/min.



6.6.1. Supply of Detergent

Satellite without User Pack System.

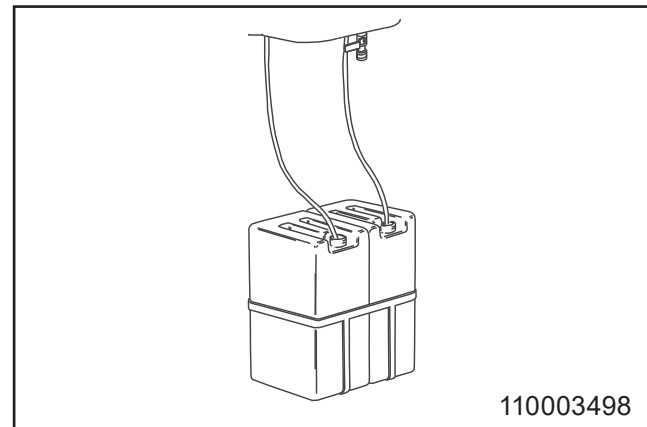
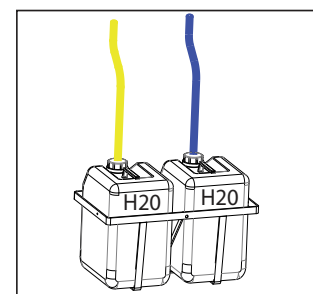
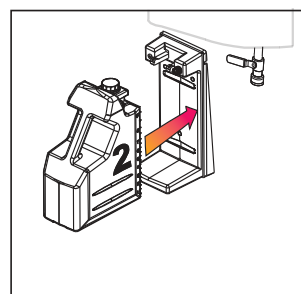
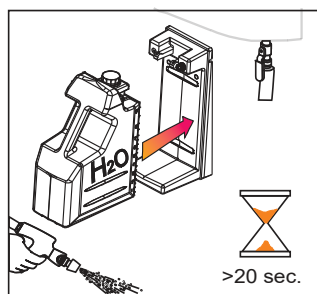
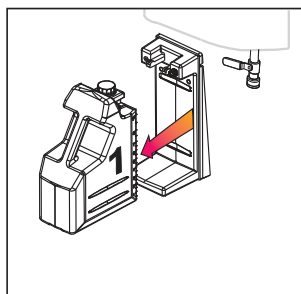
See drawing no 110003498

- Place the can with detergent in the can holder
- Check the suction filter for impurities.
- Put the suction hose into the can below product level and avoid suction of air.
- After pre-rinsing, check again that the hose is sufficiently below product level and avoid suction of air during foam or spray operation.
- After use of and when changing product as well as after use of the unit, remove the hose from the can and rinse the product inlet line and injector with clean water.

Satellite with User Pack System

See drawing no 110003485.

- Place the specially designed User Pack in the automatic holder.
- If changing to a different product when ending the cleaning process, rinse the product inlet line with clean water as follows:



- Replace the User Pack containing product by one with clean water; place the foam nozzle and open the spray gun/outlet valve. The product inlet line is now rinsed with clean water before use of another product or.

6.7. Hose Connection

- The special hose fitted with spray gun/outlet valve is connected to the outlet quick coupling of the unit (layout drawing).
- Maximum hose length: 30 m.
- It is recommended only to use Nilfisk FOOD hoses, which have been tested for resistance.

110003485

7. Operation procedures

7.1. Start up

7.1.1. Start

1. Make sure that the water and air supply to the unit is open. For air see layout drawing. In case of central chemical supply this must be activated too.
2. Select requested function. Use the unit according to the "User Guide".

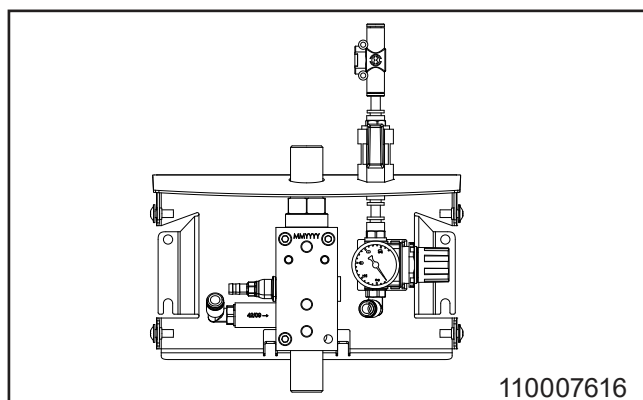
7.1.2. Stop

1. Close the water supply (layout drawing).
2. Close the air supply (layout drawing).
3. Deactivate chemical supply by pulling up the suction hose or removing the userpack.



Due to the following it is very important to close water, air and chemical supply when the unit not in use.

- If the air supply is open when the unit is not in use - air might seep into the water pipe - which means that the system has to be bled again.



7.1.3. Adjustment of detergent

Remove cover from the unit.

Adjustment of detergent can be done either by means of a limiting nozzle or by means of a dosing valve (layout drawing).

The limiting nozzle is placed in the suction nipple of the non-retur valve (110007616) and can be replaced with a smaller or larger nozzle depending on the concentration needed, please also see table for guidelines.



All tests have been made with Topax 12

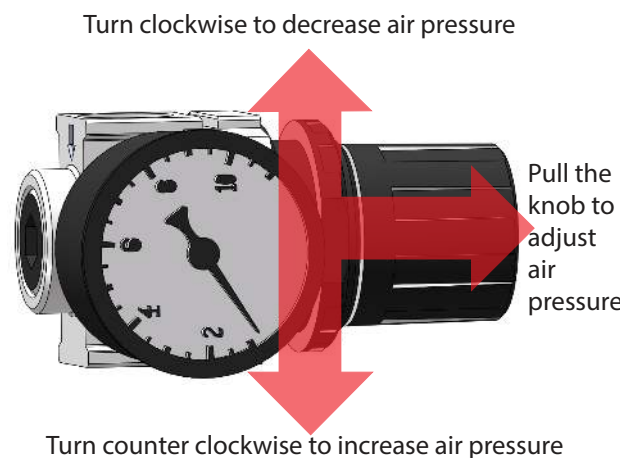
Nozzle size in mm	Concentration by 20 Bar in %
0,4	0,75
0,5	1,15
0,6	1,65
0,7	2,20
0,8	2,90
0,9	3,60
1,0	4,40
1,1	5,3
1,5	9,4

Nozzle size in mm	Concentration by 20 Bar/290PSI
Clear	0,36 %
Pink	0,51 %
Light blue	0,64 %
Purple	0,70 %
Turquios	1,43 %
Yellow	1,95 %
Brown	20,01 %
Orange	2,18 %
Green	2,62 %
Tan	3,94 %
Blue	4,88 %
White	6,02 %
Red	6,87 %
Beige	7,36 %
Black	7,86 %
Grey	7,96 %

7.1.4. Adjustment of air

Remove the cover from the unit.

Adjust the air pressure on the reduction valve until an appropriate foam quality is reached.





When setting the regulator, carefully pull up the knob and turn it clockwise for pressure increase and counter clockwise for pressure decrease.

7.2. Maintenance, trouble shooting and Service Maintenance Instructions

1. Quick couplings; it is recommended to lubricate all couplings parts regularly, approx. once a month) by water proof grease to prevent leaks and damage of o-rings.
2. If the quick couplings leak, o-rings should be replaced.
3. Depending on usage, maintenance should be undertaken by an authorised service engineer at least once a year in order to prevent defects and failure of operation. Authorised engineers are persons who due to their skills and experience have sufficient knowledge of Hygiene Systems and are confident with the state work safety regulations, accident preventing regulations, lines and generally acknowledged technical regulations such as DIN-norms and VDE-provisions. For your safety, this cleaning unit has been manufactured according to all relevant regulations valid in the EU and therefore it has been supplied with the CE-marking. For further information, please refer to the service department.
4. When the cleaning process has been completed or chemicals have been changed, it is important to rinse the suction and injector systems in the following way:
 5. Replace the can with a can containing clean water.
 6. Put the suction hose into the water can.
 - Connect the foam nozzle.
 - Open the spray gun/outlet valve and keep it open until the injector has been rinsed through (approx. 30 seconds).
 - Remove the suction hose from the water can.
 7. It is recommended to descale the unit according to paragraph 9.3
 8. It is recommended to clean the surface inside the unit at least once a month in order to maintain parts and avoid corrosion of parts.

8. Operation

8.1. Before Operation

If the wall the unit is to be mounted on is made of bricks or concrete, the enclosed screws and rawl plugs are usable, otherwise you have to make sure that the carrying capacity of the wall is sufficient.



The pipeline must be rinsed through before the system is connected.



Remove cover before the unit is mounted on the wall.

8.2. Start/Stop (change, rinse, foam, des)

Start satellite

1. Check that water- and air supplies for the system are open.
2. Make sure that the water and air supply to the unit is open. For air see layout drawing. In case of central chemical supply this must be activated too.
3. Select requested function. Use the unit according to the "User Guide".

Stop satellite

1. Turn off the water supply
2. Close the air supply



It is important to shut off the water and air when the unit is left after use .

- If the air supply is open when the unit are not in use, air may seep into the water pipe. If this is the case the system may have to be bled again.

It may be necessary to bleed the pipes and the unit again after it has been closed for a longer period of time (holidays, and the like)



CAUTION

The chemical supply must always be rinsed thoroughly after use

1. The following procedure will clean the chemical supply for detergents and/or remains of disinfectants.
2. Remove User Pack or standard can.
3. Hold the rinsing bottle with clean water tightly against the suction opening (with User Pack). Alternatively, you can place a User Pack with clean water in the holder or – without User Pack – place the hose in a bucket of clean water.
4. 3. Activate the hose handle until clean water comes out of the nozzle (approx. 30 seconds)

9. Maintenance, Trouble shooting, Service

9.1. Preventive maintenance

Depending on usage, maintenance should be undertaken by an authorised service engineer at least once a year in order to prevent defects and failure of operation. Authorised engineers are persons who due to their skills and experience have sufficient knowledge of the Hygiene Systems and are confident with the state work safety regulations, accident preventing regulations, lines and generally acknowledged technical regulations such as DIN-norms and VDE-provisions. For your safety, this cleaning unit has been manufactured according to all relevant regulations valid in the EU and therefore it has been supplied with the CE-marking. For further information, please refer to the service department.

9.2. Rinsing the chemical supply/injector system



The chemist supply must always be rinsed thoroughly after use.

Remains of detergents or disinfectants can clog the injector so it needs to be rinsed or replaced.

The following procedure will clean the chemistry supply for detergents and/or remains of disinfectants.

1. Remove User Pack, if any.
2. Hold the rinsing bottle with clean water tightly against the suction opening (with User Pack) or against the hose (without User Pack). Alternatively, you can place a User Pack with clean water in the holder or – without User Pack – place the hose in a bucket of clean water.
3. Activate the hose handle until clean water comes out of the nozzle (approx. 30 seconds).



This procedure should be followed both on the detergent and the disinfectant side (if this is installed).

9.3. Deliming

- The interval of the Deliming procedure is depends the water hardness.
- Make sure the water to the unit is disconnected.
- Remove the Cover from the unit.
- Dismount the injector block. Dismount the air valve and the non-return valve for air, inclusive of the air fittings.
- Put the injector block in a deliming bath – make sure the dosing valve (the knob) is over the surface.
- Wait for 60 minutes.
- Rinse the block in clean water.

- Mount the air valve and the non-return valve on the injector block and mount the injector block in the unit.
- Connect water to the unit.
- Test the unit in Foam position make sure the vacuum is sufficient, it is recommended to be between 14,8 - 20,7 inHg / -0.05 - 0.07 MPa.
- Test that the unit can start and stop in both foam and rinse position
- Reinstall the cover on the unit

The following deliming intervals must be observed to prevent lime building up in the unit, that can discontinue operation of the unit

°dH	ppm	Time between Deliming
0-5	18-90	12 months
5-10	90-180	6 to 12 months
10-15	180-270	3 to 6 months
15-20	270-360	3 to 6 months
>20	>360	1 to 3 months

9.4. Coupling

It is recommended to lubricate all coupling parts regularly (approx. once a week) with waterproof grease to prevent leaks and damage of packings. If the unit is equipped with a spray gun the piston of the gun should also be lubricated.

In leaking quick couplings the packings should be replaced.

9.5. Internal cleaning of the unit

We recommend opening and cleaning the unit inside min. once a week.

9.6. Trouble Shooting and Remedy

Fault	Cause	Remedy
No pressure / too low pressure	Insufficient or No water supply.	Open water supply valve (See 5.1 - Closing valve).
	Is the filter if any clogged.	Clean the filter.
	Rinsing nozzle not installed.	Place rinsing nozzle.
Insufficient or No foam creating.	No supply of dilute products.	Consult directions for use of dosing unit.
	Product not suitable.	Choose suitable product.
	Insufficient or No air supply.	Provide sufficient air supply.
	Air pressure in mixing chamber too high.	Adjust air pressure setting.
	Defect non-return valve for air.	Replace non-return valve for air.
	Incorrect nozzle.	Place foam nozzle 50/150.
	Non-return valve blocked	Clean or replace non-return valve.
Injektor /mixing chamber blocked	Clean nozzle	
No spray sanitising.	No supply of dilute products.	Consult directions for use of dosing unit.
	Non-return valve blocked.	Clean or replace non-return valve.
	Injektor /mixing chamber blocked	Clean Injektor /mixing chamber.

In case of errors/troubles not mentioned above, please contact your local service technician for further assistance.

9.7. Service addresses and Warranty

Austria

Ecolab GmbH
Erdbergstr, 29
A-1031 Wien 3
Phone: (0043) 171 52 55 02 814
Fax: (0043) 171 52 55 02 804

Belgium

Ecolab N.V.
Doornveld Industrie Asse Z3 nr 11, Gebouw 9
B-1731 Zellik-Asse
Phone: (0032) 24 67 51 11
Fax: (0032) 24 67 51 00

Bulgaria

Ecolab Bulgaria FOOD
Prof. Dr. G. Pavlov Str. 35
BG-1111 Sofia
Phone: (00359) 2 971 22 35
(00359) 2 971 36 97
Fax: (00359) 2 971 26 50

Croatia

Ecolab Zagreb d.o.o.
Zavrtnica 17
HR-10 000 Zagreb
Phone: (00385) 1 63 21 600
Fax: (00385) 1 63 21 633

Czech Republic

Ecolab spol. s r.o.
Jakubské náměstí 1
CZ-656 86 Brno
Phone: (00420) 54 22 10 823
Fax: (00420) 54 22 11 227

Denmark

Ecolab A/S
Carl-Jacobsensvej 29-37
DK-2500 Copenhagen - Valby
Phone: (0045) 36 15 85 50
Fax: (0045) 36 15 85 99

Finland

Ecolab Ab
Mäkelänkatu 54 A
FIN-00510 Helsinki
Phone: (00358) 9 39 65 51
Fax: (00358) 9 39 65 53 05

France

Ecolab France
8, rue Rouget de Lisle
F-92130 Issy-les-Moulineaux Cedex
Phone: (0033) 140 93 93 39
Fax: (0033) 140 93 93 78

Germany

Ecolab GmbH & Co. OHG
Postfach 13 04 06
Reisholzer Werfstr. 38-42
D-40554 Düsseldorf
Phone: (0049) 211 98 93 551
Fax: (0049) 211 98 93 386

Greece

Ecolab A.E
15, Flemingstr.
GR-15123 Maroussi, Athens
Phone: (0030) 16 873 700
Fax: (0030) 16 813 527

Hungary

Ecolab Kft.
David Ferenc. u. 6
H-1519 Budapest, Pf. 429
Phone: (0036) 1 372 55 76
(0036) 1 372 55 73
Fax: (0036) 1 209 15 44
(0036) 1 372 55 46

Ireland

Ecolab Ltd.
Beechwood Close
Boghall Rd, Bray, Co. Wicklow
Phone: (0035) 31 28 68 225
Fax: (0035) 31 28 69 298

Italy

Ecolab S.p.A.
Centro Direzionale Colleoni
Via Paracelso 6
Palazzo Liocorno
20041 Agrate Brianza Milano
Phone: (0039) 039 60 50 594
Fax: (0039) 039 60 50 573

Netherlands

Ecolab
lipenhoeve 7
NL-3438 MR Nieuwegein
Phone: (0031) 30 60 82 222
Fax: (0031) 30 60 82 228

Norway

Ecolab a.s
Stålverksvägen 1,
Postboks 6440 - Etterstad
N-0605 Oslo
Phone: (0047) 22 68 18 00
Fax: (0047) 36 15 85 99

Poland

Ecolab sp.z o.o.
Ul. Kalwaryjska 69
PL-30504 Krakow
Phone: (0048) 12 261 61 09
Fax: (0048) 12 262 61 01

Portugal

Henkel Higiene Lda.
Estrada Outeiro de Polima
Monte Trigo
Lote C2-Aboboda
2775 Parede
Phone: (0035) 11 44 50 522
Fax: (0035) 11 44 51 071

Romania

Ecolab srl
3, Sos Nicolina Street
B1. 928, parter
Iasi-6600 Romania
Phone: (0040) 32 22 1859
(0040) 32 22 2597
(0040) 32 22 6459
(0040) 32 22 6451
Fax: (0040) 32 22 6448

Russia

Ecolab ZAO
Marksistskaya 3, Street 1
111024 Moscow
Phone: (007) 980 70 60
Fax: (007) 980 70 69

Slovakia

Ecolab Bratislava Spol. s.r.o.
Cajakova 18
811 05 Bratislava
Phone: (00421) 7 5446 391
Fax: (00421) 7 5446 388

Slovenia

Ecolab d.o.o. Maribor
Vajngerlova 4
Postfach 1007
SLO-2001 Maribor
Phone: (0038) 62 42 93 100
Fax: (0038) 62 42 93 152

Spain

Ecolab S.A.
Edifi cio Conata
Fructuós Gelabert, 2-4
08790 San Joan Despí Barcelona
Phone: (0034) 93 475 8900
Fax: (0034) 93 477 0075

Sweden

Ecolab AB
Früängsplan 10
S-12907 Hägersten
Phone: (0046) 8 60 32 200
Fax: (0046) 8 60 32 288

Switzerland

Ecolab GmbH
Kägenstrasse 10
CH-4153 Reinach
Phone: (0041) 61 46 69 466
Fax: (0041) 61 46 69 444

Turkey

Ecolab Temizlerne
Sistemleri A.S.
Altayce.Mahal. Narli giftligi
Mevkii Engin Cikmazi No 6
81530 Maltepe
Phone: (0090) 216 360 72 33
Fax: (0090) 216 360 63 16

Ukraine – Kiev

Ecolab
Bulv. Lichachova, 1/27
01133 Kiev
Phone: (0038) 044 230 2369
(0038) 044 230 2372
Fax: (0038) 044 295 7125

United Kingdom

Ecolab UK Ltd.
David Murray John Building,
Swindon, Wiltshire SN1 1 ND
Phone: (0044) 1 793 54 87 80
Fax: (0044) 1 793 54 88 92

Warranty

Warranty is given for a period of 24 months from delivery of the equipment, and for 12 months from putting into operation of spare parts and accessories to the equipment which have become unfit for use due to design or manufacturing defects. The warranty will consist of reimbursement, replacement or repair of the defective or damaged part at our work. Installation and freight costs are charged.

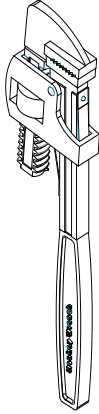

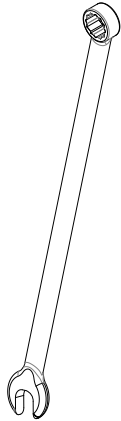

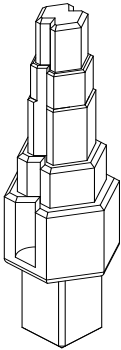
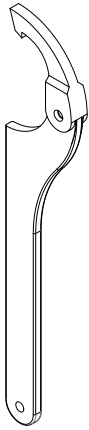


Any defective parts are to be placed at our disposal. Claims that may otherwise be raised for any legal reason will not be acknowledged. No liability will be accepted for damage occurred indirectly. The purchaser has no right to let any third party repair possible defects on our account.

All hoses, rubber parts or synthetic materials, natural wear as well as damage caused by careless and inappropriate treatment, including transport damage are not covered by the warranty. Further, the warranty does not apply if the cleaning station has been subjected to frost. The obligation of warranty compensation disappears if changes or repairs are made by non-authorized persons. Claims under the warranty will only be acknowledged when they are placed immediately after the defect has been noticed. The warranty ceases in case of change of ownership.

Ecolab cannot be held responsible for personal injury, damage to equipment, working deficits, including production loss, loss of profits, loss of stock or the like which may occur by imperfect and delayed delivery of the sold product, regardless of the reason, including manufacturing and material defects. Please see our standard conditions of sale and delivery.

10. Tools

Standard tools that are useful/necessary for service and maintenance on the full range of equipment.

	<p>BF/BW & MB Booster Mainstation Foamatic Mainstation</p>		<p>Satellites BF/BW & MB Booster Mainstation Foamatic Satellites Foamatic Mainstation</p>
	<p>Satellites BF/BW & MB Booster Mainstation Foamatic Satellites Foamatic Mainstation</p>		<p>Satellites BF/BW & MB Booster Mainstation Foamatic Satellites Foamatic Mainstation</p>
	<p>BF/BW & MB Booster</p>		<p>Foamatic Satellites Foamatic Mainstation</p>
	<p>Satellites BF/BW & MB Booster Mainstation Foamatic Satellites Foamatic Mainstation</p>		<p>Satellites Mainstation Foamatic Satellites Foamatic Mainstation</p>

11. End of Use

11.1. Dismounting

Close all supply valves and remove the unit from wall.

11.2. Disposal

In case the unit should be disposed, it must be separated and sorted in eg-recyclable and non recyclable parts. The steel construction is easily separated and disposed and constitutes no environmental risk - nor for the user. Disposal must be made according to rules and regulations in force for disposal of machines as well as all standards in connection with environmental protection.











CAUTION

Disposal of electronic components and other remedies must be handled as special disposal when disposed. Alternatively, it can be disposed by a specialised disposal company.

1. Inhalt

2.	In diesem Dokument verwendete Symbole	25
3.	Allgemeine Informationen	26
3.1.	Kennzeichnungsschild	27
3.2.	Anbieter	27
3.3.	Spezifikationen	28
4.	Überblick und Gebrauch	29
5.	Systemsicherheit	29
5.1.	Verschlussventil für Wasserzufuhr. (Zubehör)	29
5.2.	Verschlussventil für Luftzufuhr	29
5.3.	Voraussichtliche Ausfälle	29
5.4.	Restrisiko	30
6.	Installation	30
6.1.	Störgeräusche	30
6.2.	Montageanleitung	30
6.3.	Transport	30
6.4.	Vibrationen	30
6.5.	Wasseranschluss	30
6.6.	Luftanschluss	31
6.6.1.	Versorgung mit Reinigungsmittel	31
6.7.	Schlauchverbindung	31
7.	Betriebsverfahren	32
7.1.	Inbetriebnahme	32
7.1.1.	Start	32
7.1.2.	Stopp	32
7.1.3.	Einstellung des Reinigungsmittels	32
7.1.4.	Einstellung der Luft	32
7.2.	Wartung, Problemanalyse und Kundendienst	33
8.	Betrieb	33
8.1.	Vor dem Betrieb	33
8.2.	Start/Stopp (wechseln, spülen, aufschäumen)	33
9.	Wartung, Problemanalyse und Kundendienst	34
9.1.	Vorbeugende Wartung	34
9.2.	Spülung der Chemievorsorgung/Injektorsystem	34
9.3.	Entkalken	34
9.4.	Kupplung	34
9.5.	Innenreinigung des Geräts	34
9.6.	Problemanalyse und Behebung Anzeichen	35
9.7.	Serviceadressen und Gewährleistung	36
10.	Werkzeuge	39
11.	Nach der Verwendung	40
11.1.	Demontage	40
11.2.	Entsorgung	40
12.	Ersatzteile	75

2. In diesem Dokument verwendete Symbole

	<p>Bitte vor Inbetriebnahme lesen.</p>
	<p>Bitte tragen Sie bei der Bedienung des Geräts eine Brille.</p>
	<p>Bitte tragen Sie bei Benutzung des Geräts Handschuhe und passende Kleidung.</p>
	<p>Beachten Sie: Eine potenziell gefährliche Situation. Mögliche Konsequenzen: Das Produkt oder etwas in seiner Nähe könnte beschädigt sein. Prävention.</p>
	<p>Vorsicht: Eine gefährliche Situation. 'Mögliche Konsequenzen: Leichte oder geringfügige Verletzungen. Kann auch genutzt werden, um vor Sachbeschädigung oder vor Beschädigung anderer Güter zu warnen. Prävention.</p>
	<p>Warnung: Eine potenziell gefährliche Situation. Mögliche Konsequenzen: Tod oder schwere Verletzungen. Prävention.</p>
	<p>Gefahr: Eine gefährliche Situation. 'Mögliche Konsequenzen: Tod oder schwere Verletzungen. Prävention.</p>
	<p>Gefahr: WARNUNG! Scharfe Kanten - achten Sie auf Ihre Finger..</p>

3. Allgemeine Informationen

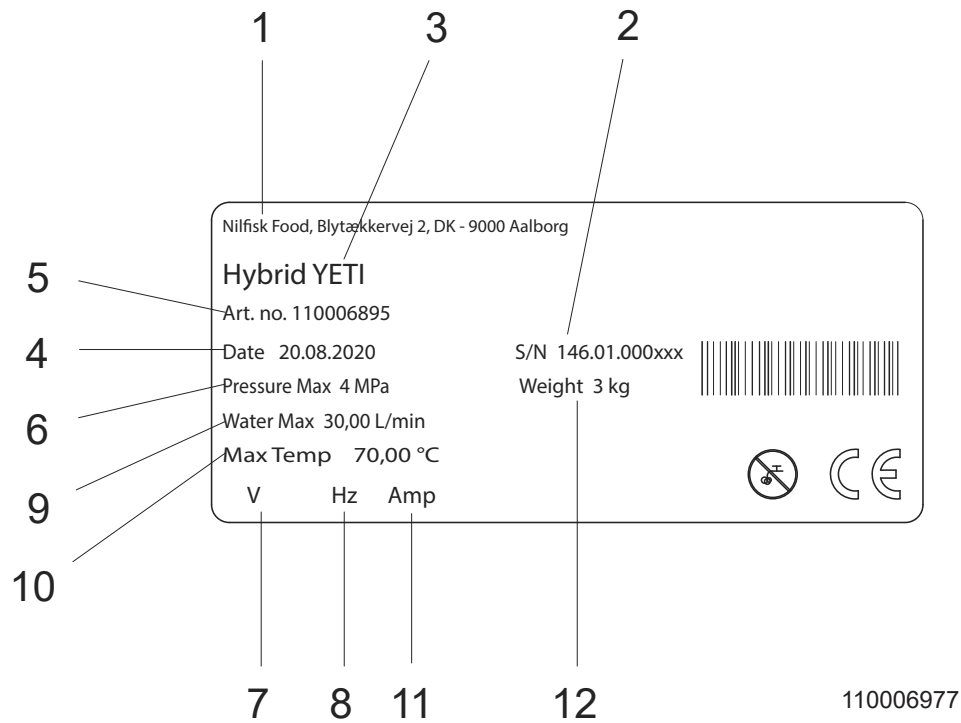
Nilfisk FOOD beglückwünscht Sie zu Ihrer Niederdruckschaum- und Desinfektionsreinigungsanlage.

Die Anlage ist auf dem neuesten Stand der Technik im Bereich der Niederdruck-Reinigungsanlagen in Ihrem Betrieb.

Die Anlage kann zum Spülen, Schäumen und der Anwendung von Desinfektionsmitteln eingesetzt werden.

Es ist äußerst wichtig, dass Ihr operatives Personal diese Anweisungen vor der Installation, Inbetriebnahme und der Nutzung der Geräte durchliest.

3.1. Kennzeichnungsschild



1. Hersteller.
2. Serienr.
3. Modell.
4. Herstellungsdatum.
5. Artikelnr.
6. Maximaler Druck.
7. Versorgungsspannung.
8. Frequenz.
9. Maximaler Wasserverbrauch.
10. Höchsttemperatur
11. Stromstärke
12. Gewicht.

3.2. Anbieter

Nilfisk FOOD
Blytækkervej 2
DK-9000 Aalborg, Denmark
Tel.: +45 7218 2000
CVR no. 6257 2213
www.nilfiskfood.com

3.3. Spezifikationen

Technische Daten				
	Geräte	TW	HP	PD
Wasser				
Anschlusstyp Einlass/Auslass	Zoll	1/2"		
Empfohlener Einlassrohrdurchmesser (min)	Zoll	3/4"		
Max. Ausgangsdruck	bar	40	80	25
Verbrauch während des Aufschäumens	l/min	6	7	6
Min. Versorgungsdruck	bar	3	30	6
Max. Versorgungsdruck	bar	7	80	25
Mindestversorgung	l/min	10	10	10
Maximaltemperatur	C	70°C	70°C	70°C
Luft				
Anschlusstyp Einlass	mm	Ø6 Steckverschraubung		
Mindestdruck der Luftzufuhr	bar/MPa	6/0.6		
Maximaldruck Luftzufuhr	bar/MPa	9/0.9		
Erforderliche Durchflussrate	NI/min	75		
Düsen (empfohlen)				
Spüldüse		25/30		
Schaumdüse		50/150		
Sprühdüse		40/30		
Allgemein				
Anzahl der Produkte		1		
Max. Schlauchlänge (empfohlen)	Meter	25		
Abmessungen H x B x T	mm	258 x 203 x 107		
Gewicht	kg	3,2		

4. Überblick und Gebrauch

Die YETI Anlage ist eine komplette Reinigungsstation, die mit einer Booster-Unit oder Hauptstation verbunden werden kann. Die Anlage erfordert eine ausreichende Versorgung von Wasser, Druckluft und Reinigungs- und Infektionsmitteln.

Verbrauch:

Die Anlage ist für den Einsatz von Reinigungs- und Desinfektionsmitteln zugelassen.



Warnung: Verändern Sie nicht die vom Anbieter der Reinigungsmittel vorgenommenen und empfohlenen Einstellungen!

Die Reinigungsmittel werden über ein Benutzerpaket-System oder von separaten Standard-Behältern bedient. Die Versorgung ist auch über Rohrsysteme möglich.

Lesen Sie diese Bedienungsanleitung bitte aufmerksam durch, bevor Sie mit der Installation und Inbetriebnahme des Geräts beginnen. Folgen Sie immer den persönlichen Sicherheitsrichtlinien für Chemikalien in Zusammenhang mit den Wiederauffüllvorgängen (Produktwechsel), Wartung und Reparatur. Siehe auch die Produktkennzeichen und das Sicherheitsdatenblatt.

Sicherheitshinweise

Nur das professionelle Service-Personal darf Service- und Reparaturarbeiten am Gerät vornehmen.

Nur eingewiesenes Personal darf das Gerät bedienen.

5. Systemsicherheit

Im Falle von Fehlern/Mängeln oder Service von Geräten:

1. Schließen Sie die Wasserzufuhr
2. Schließen Sie die Luftzufuhr

5.1. Verschlussventil für Wasserzufuhr. (Zubehör)

Mit diesem Ventil kann das Gerät von der Wasserzufuhr getrennt werden. Des Weiteren wird ein Rückschlagventil in den Block eingebaut, um den Rückfluss des Wassers zu verhindern.

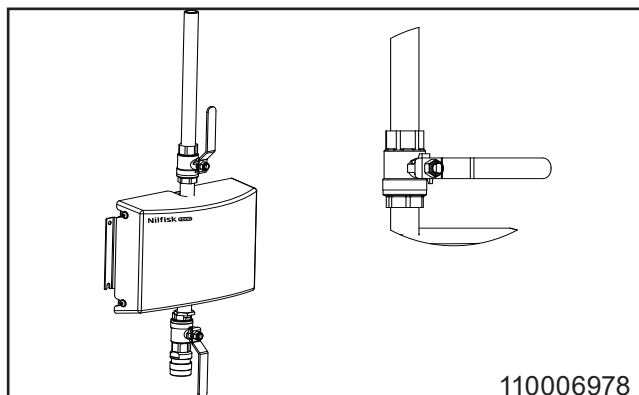


Fig 1

5.2. Verschlussventil für Luftzufuhr.

Wir empfehlen die Montage eines Schließventils mit zwei Luft-Rückschlagventilen am Lufteintritt. Das ermöglicht eine Trennung der Luftzufuhr und verhindert einen Rückfluss von Luft.



Bitte tragen Sie bei der Bedienung des Geräts eine Brille.



Bitte tragen Sie bei Benutzung des Geräts Handschuhe und passende Kleidung.

5.3. Voraussichtliche Ausfälle

Geplatzter Luftschlauch im Gerät:

- Das Gerät darf ohne die vormontierte Frontabdeckung nicht verwendet werden.
- Das Luftabsperrentil an / in Zusammenhang mit dem Gerät muss bei Nichtgebrauch geschlossen werden.
- Der Luftschlauch und Armaturen sollten regelmäßig überprüft und bei sichtbarer Beschädigung ausgetauscht werden.

Ausfall von Rückschlagventilen für Luft und Wasser.

- Das Gerät darf ohne die vormontierte Frontabdeckung nicht verwendet werden.
- Das Luft- und Wasserabsperrentil an / in Zusammenhang mit dem Gerät muss bei Nichtgebrauch geschlossen werden.
- Nach dem Gebrauch des Geräts müssen alle Chemie-Rückschlagventile mit sauberem Wasser abgespült werden. Folgen Sie den Anweisungen in Abschnitt 9.2.
- Rückschlagventile für Luft und Wasser sollten mindestens einmal im Jahr von fachkundigem Personal auf Mängel überprüft werden.

Reparatur des Geräts:

- Versuchen Sie nicht, das defekte Gerät selbst zu reparieren. Kontaktieren Sie immer eine autorisierte Kundendienststelle.
- Blockieren und markieren Sie das defekte Gerät, um eine unbeabsichtigte Benutzung zu vermeiden - siehe Abschnitt unten über "Restrisiko - Benutzung des Geräts"
- Benutzen Sie aus Sicherheitsgründen nur zugelassene und originale Ersatzteile.

5.4. Restrisiko

Benutzung des Geräts:

- Benutzen Sie die Anlage nie ohne vorherige Einweisung über den Gebrauch des Geräts und die Sicherheitshinweise. Die Anweisungen müssen von einem geschulten/eingewiesenen Personal erstellt werden.
- Benutzen Sie das Gerät nie, ohne die beigefügte Gebrauchsanweisung und die Sicherheitshinweise gelesen zu haben.
- Schließen Sie immer die Wasser- und Luftzufuhr nach Benutzung.

Beschädigtes Gerät:

- Benutzen Sie das Gerät nie, wenn undichte Stellen beobachtet werden (Luft, Wasser oder Chemie).
- Benutzen Sie das Gerät nie, wenn Sie die Verschlussventile nicht bedienen können und/oder wenn es nicht möglich ist, den gewünschten Vorgang auszuwählen.
- Benutzen Sie das Gerät nie, wenn es von seinem ursprünglichen Montageort entfernt wurde.

6. Installation

Aus Sicherheitsgründen ist es wichtig, alle beigefügten Informationen vor der Installation dieses Geräts zu lesen. Zusätzlich sollten die geltenden Rechtsvorschriften zum Zeitpunkt des Kaufs immer in Zusammenhang mit der Installation und Montage der Anlage berücksichtigt werden, unabhängig von den Inhalten dieser Bedienungsanleitung. Bei Streitfragen sollten Sie Ihren Händler kontaktieren.

6.1. Störgeräusche

Schallpegel entsprechend ISO 11202; Unter 70 dB

6.2. Montageanleitung



- Das Gerät sollte nur in frostfreien Räumen montiert werden.
- Das Gerät kann an einer Wand oder an einem gesonderten Rahmen montiert werden und sollte dabei in Produktionsbereichen installiert und am Boden befestigt werden.
- Für die Wandmontage beachten Sie Folgendes:
- Bei der für die Montage verwendeten Wand sollte es sich um eine tragfähige Ziegelsteinmauer oder Betonmauer handeln.



- Die gelieferten Halterungen sollten mit den beigefügten Schrauben und entsprechenden Dübeln an der Wand befestigt werden.
- Die Wandhalterung sollte entsprechend der obigen Beschreibung montiert und die Anlage in die Halterung eingehängt werden. Der Schlauch und die Benutzerpaket-Halterungen sollten nachträglich montiert werden (Siehe Installations-/Montagezeichnung).

6.3. Transport

Für einen sicheren Transport der Anlage sollten Sie sicherstellen, dass diese weder rutschen noch kippen kann. Die Anlage sollte mit Gurten gesichert werden. Transport der Anlage nur in horizontaler Position: Die Anlage sollte nicht auf der Vorderseite platziert werden, an der sich das Bedienfeld befindet. Sie sollte auch nicht auf der Ober- oder Unterseite platziert werden, da dort Anschlüsse und Steckdosen montiert werden. Wenn die Anlage bei einer Temperatur von circa 0°C (32°F) bewegt wird, sollten Sie immer sicherstellen, dass die Anlage vollständig geleert ist. Wenn dies nicht der Fall ist, können Sie die Anlage beschädigen.

6.4. Vibrationen

Hand-Arm-Vibrationen entsprechend ISO 5349-1

6.5. Wasseranschluss



- Bevor die Anlage mit der Wasserzuleitung verbunden ist, sollte die Versorgungsleitung vorsichtig abgespült werden, um grobe Verunreinigungen und Metallspäne zu entfernen.
- Der Wasseranschluss sollte an der Oberseite des Gerätes erfolgen. (siehe Anordnungsplan).
- Der minimale Innendurchmesser der Versorgungsleitung sollte mindestens 1/2" extern betragen (ø16mm intern).
- Die Anlage muss am Eintritt mit einem Verschlussventil für Wasser ausgestattet sein (siehe Anordnungsplan).
- Der Druckverlust in der Versorgungsleitung sollte so niedrig wie möglich gehalten werden durch
 - das Vermeiden von langen Versorgungsleitungen
 - den Einbau von Kugelventilen mit geringem Widerstand und
 - das Vermeiden von Armaturen mit hohem Druckverlust.
- Wenn Sie die Rohrleitungen installieren, vermeiden Sie Lufteinschlüsse.
- Alle Rohranschlüsse zu den Geräten müssen geschraubte Verbindungen sein, um die einfache Wartung und den Abbau der Station zu ermöglichen.

Max. zulässiger Druck der Wasserzufuhr.

Max. zulässiger Druck der Wasserzufuhr.

Wasserkonsum bei Spülbetrieb.

(siehe 3.3. Technische Daten).



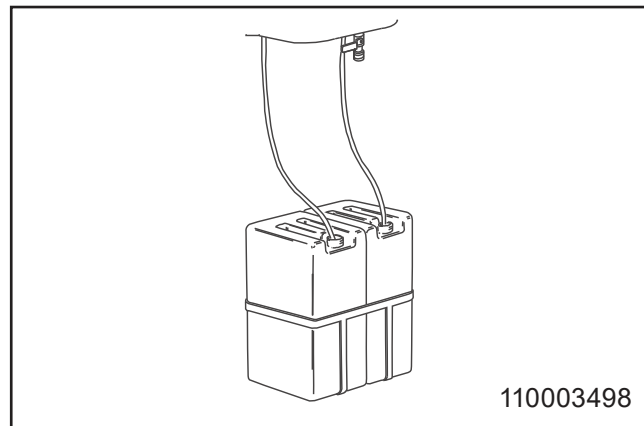
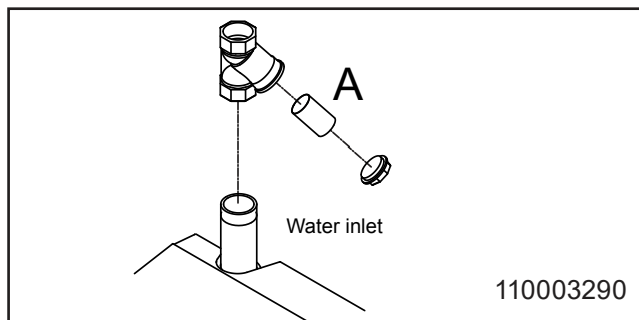
Für ein optimales Funktionieren des Injektorsystems empfehlen wir die Installation eines Filters am Einlauf, um Verunreinigungen zu verhindern.

6.6. Luftanschluss



Bevor die Anlage an den Luftanschluss angeschlossen ist, sollte das Rohrsystem sorgfältig abgespült werden, um grobe Verunreinigungen zu entfernen.

- Die Anlage erfordert eine Luftzufuhr-Verstärkung
 - ein Eingangsdruck von mindestens 2/6 bar (siehe Technische Daten)
 - eine Mindestkapazität von 200 l/min.



- Spülen Sie beim Wechsel auf eine andere Produktgruppe bei Beendigung des Reinigungsverfahrens die Produktzuleitung mit sauberem Wasser wie folgt ab.
- Ersetzen Sie das im Benutzerpaket enthaltene Produkt mit einem Produkt mit sauberem Wasser; platzieren Sie die Schaumdüse und öffnen Sie die Sprühpistole/Auslassventil. Die Produktzuleitung wird jetzt mit sauberem Wasser abgespült vor dem Gebrauch eines anderen Produktes oder einer

6.6.1. Versorgung mit Reinigungsmittel Satellit ohne Benutzerpaket-System.

Siehe Zeichnung Nr. 110003498

- Platzieren Sie den Behälter mit den Reinigungsmitteln in die Behälterhalterung
- Kontrollieren Sie den Saugfilter auf Verunreinigungen.
- Stecken Sie den Saugschlauch in die Dose unter den Füllstand und vermeiden Sie das Ansaugen von Luft.
- Stellen Sie nochmals nach dem Vorspülen sicher, dass der Schlauch ausreichend unter dem Füllstand ist und verhindern Sie das Ansaugen von Luft während dem Aufschäumen oder dem Spritzbetrieb.
- Entfernen Sie nach dem Gebrauch und dem Austausch von Produkten sowie nach dem Gebrauch der Anlage den Schlauch von der Dose und spülen Sie die Produktzuleitung und den Injektor mit sauberem Wasser ab.

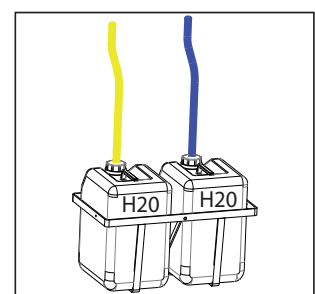
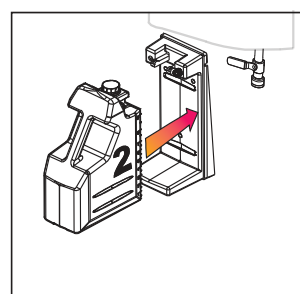
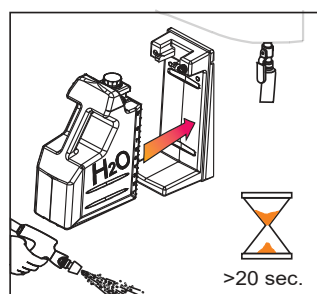
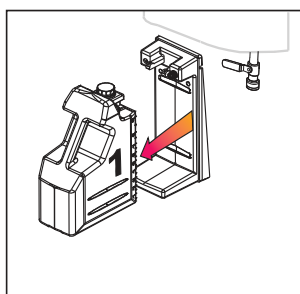
Satellit mit Benutzerpaket-System.

Siehe Zeichnung Nr. 110003485

- Platzieren Sie das speziell entwickelte Benutzerpaket in die automatische Halterung.

6.7. Schlauchverbindung

- Der Spezielschlauch, ausgestattet mit einer Sprühpistole/Auslassventil, ist mit der Ausgangs-Schnellkupplung der Anlage verbunden (Anordnungsplan).
- Maximale Schlauchlänge: 30 m.
- Es wird empfohlen, nur Nilfisk FOOD-Schläuche, die auf Widerstandsfähigkeit getestet wurden, zu verwenden .



110003485

7. Betriebsverfahren

7.1. Inbetriebnahme

7.1.1. Start

1. Stellen Sie sicher, dass der Wasser- und Luftanschluss zu dem Gerät geöffnet ist. Für Luft siehe Anordnungsplan. Im Falle einer zentralen Chemieversorgung sollten sie dies auch aktivieren.
2. Gewünschte Funktion auswählen. Benutzen Sie das Gerät entsprechend der "Bedienungsanleitung".

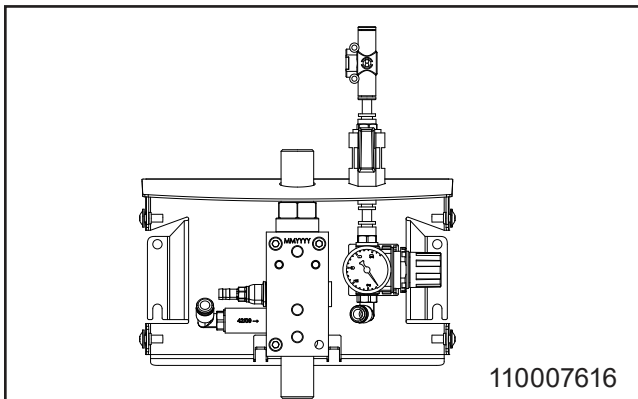
7.1.2. Stopp

1. Schließen Sie die Wasserzufuhr (Anordnungsplan).
2. Schließen Sie die Luftzufuhr (Anordnungsplan).
3. Deaktivieren Sie die Chemieversorgung, indem Sie den Saugschlauch hochziehen oder das Benutzerpaket entfernen.



Aus folgenden Gründen ist es sehr wichtig, die Versorgung für Wasser, Luft und Chemikalien zu schließen, wenn die Anlage nicht verwendet wird.

- Wenn die die Luftzufuhr bei Nichtbenutzung der Anlage offen ist, kann Luft in die Wasserleitung gelangen. Das bedeutet, dass das System neu entlüftet werden muss.



7.1.3. Einstellung des Reinigungsmittels

Nehmen Sie das Deckelteil vom Gerät ab. Die Einstellung des Reinigungsmittels kann mit Hilfe einer begrenzten Düse oder eines Dosierventils (Anordnungsplan) erfolgen.

Die begrenzte Düse wird im Saugnippel des Rückschlagventils (110007616) platziert und kann mit einer kleineren oder größeren Düse ersetzt werden, je nach benötigter Konzentration. Bitte beachten Sie auch die Tabelle für die Richtlinien.



Alle Tests wurde mit Topax 12 durchgeführt



Düsengröße in mm	Konzentration von 20 bar in %
0,4	0,75
0,5	1,15
0,6	1,65
0,7	2,20
0,8	2,90
0,9	3,60
1,0	4,40
1,1	5,3
1,5	9,4

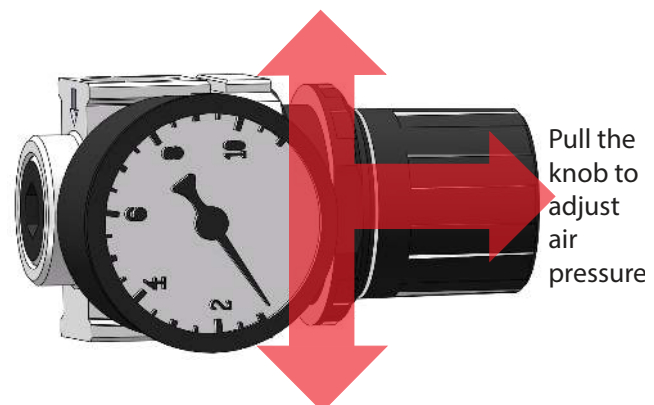


Düsengröße in mm	Konzentration von 20 bar/290PSI
Klar	0,36 %
Rosa	0,51 %
Hellblau	0,64 %
Violett	0,70 %
Türkis	1,43 %
Gelb	1,95 %
Braun	20,01 %
Orange	2,18 %
Grün	2,62 %
Bräunen	3,94 %
Blau	4,88 %
Weiß	6,02 %
Rot	6,87 %
Beige	7,36 %
Schwarz	7,86 %
grau	7,96 %

7.1.4. Einstellung der Luft

Nehmen Sie das Deckelteil vom Gerät ab. Justieren Sie den Luftdruck am Druckminderungsventil, bis eine angemessene Schaumqualität erreicht wird.

Turn clockwise to decrease air pressure



Turn counter clockwise to increase air pressure



Beim Einstellen des Reglers ziehen Sie den Drehgriff nach oben und drehen ihn für Druckzunahme im Uhrzeigersinn und für Druckabnahme gegen den Uhrzeigersinn.

7.2. Wartung, Problemanalyse und Kundendienst Wartungsanweisungen

1. Schnellkupplung; es wird empfohlen, alle Kupplungsteile regelmäßig (ca. einmal im Monat) mit wasserdichtem Schmierfett einzuölen, um Lecks und die Beschädigung der O-Ringe zu vermeiden.
2. Wenn die Schnellkupplung leckt, sollten O-Ringe ersetzt werden.
3. Je nach Anwendung sollte die Wartung von einem autorisierten Servicetechniker mindestens einmal im Jahr vorgenommen werden, um Schäden und Betriebsausfälle zu vermeiden. Autorisierte Techniker sind Personen, die aufgrund Ihrer Fähigkeiten und Erfahrungen hinreichende Kenntnisse über Hygienesysteme besitzen und mit den staatlichen Arbeits- und Unfallverhütungsvorschriften, Richtlinien und allgemein anerkannten technischen Vorschriften, wie die DIN-Norm und die VDE-Bestimmungen, vertraut sind. Diese Reinigungsanlage wurden gemäß aller relevanten, in der EU gültigen Vorschriften gefertigt und somit mit der CE-Kennzeichnung geliefert. Für weitere Informationen wenden Sie sich bitte an den Kundendienst.
4. Wenn der Reinigungsvorgang abgeschlossen ist oder Chemikalien ausgetauscht wurden, ist es wichtig, das Saug- und Injektorsystem wie folgt zu spülen:
 5. Ersetzen Sie den Behälter mit einem mit sauberem Wasser.
 6. Legen Sie den Saugschlauch in den Wasserbehälter.
 - Verbinden Sie die Schaumdüse.
 - Öffnen Sie Sprühpistole/Auslassventil und halten Sie diese offen, bis der Injektor gespült wurde (circa 30 Sekunden lang).
 - Entfernen Sie den Saugschlauch vom Wasserbehälter.
 7. Es wird empfohlen, die Anlage gemäß Abschnitt 9.3 zu entkalken.
 8. Es wird empfohlen, die Oberfläche der Anlage mindestens einmal im Monat zu reinigen, um die Einzelteile zu erhalten und ihre Korrosion zu verhindern.

8. Betrieb

8.1. Vor dem Betrieb

Wenn die Wand, an der die Anlage befestigt ist, aus Ziegelstein oder Beton ist, sollten die beigelegten Schrauben und Dübel verwendet werden. Ansonsten sollte Sie sich vergewissern, dass die Tragfähigkeit der Wand ausreichend ist.



Die Leitung muss gespült werden, bevor das System angeschlossen wird. Siehe Abbildung Nr. 3 für weitere Informationen darüber, wo Sie das Gerät anheben, auspacken und montieren sollen.



Entfernen Sie die Abdeckung, bevor die das Gerät an der Wand befestigen.

8.2. Start/Stopp (wechseln, spülen, aufschäumen) Start Satellit

1. Prüfen Sie, dass der Wasser- und Luftanschluss des Systems geöffnet ist.
2. Stellen Sie sicher, dass der Wasser- und Luftanschluss zum Gerät geöffnet ist. Für Luft siehe Anordnungsplan. Im Falle einer zentralen Chemieverorgung sollten sie diese auch aktivieren.
3. Gewünschte Funktion auswählen. Benutzen Sie das Gerät entsprechend der "Bedienungsanleitung".

Stopp Satellit

1. Schließen Sie die Wasserzufuhr
2. Schließen Sie die Luftzufuhr



Es ist wichtig, dass Sie die Wasser- und Luftzufuhr nach dem Gebrauch des Geräts wieder unterbrechen.

- Wenn die Luftzufuhr bei Nichtbenutzung der Anlage geöffnet ist, kann Luft in die Wasserleitung gelangen. Wenn dies der Fall ist, muss das System neu entlüftet werden.

Es kann erforderlich sein, die Schläuche und das Gerät nach längerem Produktionsstillstand (Ferien oder dergleichen) neu zu entlüften.



VORSICHT

Die Chemieverorgung sollte nach dem Gebrauch gründlich gespült werden.

1. Folgendes Verfahren reinigt die Chemieverorgung von Reinigungsmitteln und/oder Rückständen von Desinfektionsmitteln.
2. Entfernen Sie das Benutzerpaket oder den Standard-Behälter.
3. Halten Sie die Reinigungsflasche mit sauberem Wasser dicht an die Saugöffnung (mit dem Benutzerpaket). Alternativ können Sie das Benutzerpaket mit sauberem Wasser in die Halterung setzen oder - ohne das Benutzerpaket - den Schlauch in einen Eimer mit sauberem Wasser legen.
4. Aktivieren Sie die Schlauchdüse bis sauberes Wasser aus der Düse tritt (circa 30 Sekunden)

9. Wartung, Problemanalyse und Kundendienst

9.1. Vorbeugende Wartung

Je nach Anwendung sollte die Wartung von einem autorisierten Servicetechniker mindestens einmal im Jahr vorgenommen werden, um Schäden und Betriebsausfälle zu vermeiden. Autorisierte Ingenieure sind Personen, die aufgrund ihrer Fähigkeiten und Erfahrung über ausreichend Wissen bezüglich Hygienesystemen verfügen und mit den staatlichen Arbeitsschutzregelungen vertraut sind. Richtlinien und allgemein anerkannten technischen Vorschriften, wie die DIN-Norm und die VDE-Bestimmungen, vertraut sind. Diese Reinigungsanlage wurden zu Ihrer Sicherheit gemäß aller in der EU gültigen relevanten Vorschriften gefertigt und somit mit der CE-Kennzeichnung geliefert. Für weitere Informationen wenden Sie sich bitte an den Kundendienst.

9.2. Spülung der Chemievorsorgung/Injektorsystem



Die Chemievorsorgung sollte nach Gebrauch gründlich gespült werden.

Rückstände von Reinigungs- und Desinfektionsmitteln können den Injektor verstopfen, so dass dieser gespült und ersetzt werden muss.

Folgendes Verfahren reinigt die Chemievorsorgung von Reinigungsmitteln und/oder Rückständen von Desinfektionsmitteln.

1. Entfernen Sie das Benutzerpaket, falls vorhanden.
2. Halten Sie die Reinigungsflasche mit sauberem Wasser dicht an die Saugöffnung (mit dem Benutzerpaket) oder an den Schlauch (ohne das Benutzerpaket). Alternativ können Sie das Benutzerpaket mit sauberem Wasser in die Halterung setzen oder - ohne das Benutzerpaket - den Schlauch in einen Eimer mit sauberem Wasser legen.
3. Aktivieren Sie den Schlauchdüse bis sauberes Wasser aus der Düse tritt (circa 30 Sekunden).



Dieser Vorgang sollte auf der Reinigungsmittel- und Desinfektionsmittelseite (wenn dies so installiert wurde) wiederholt werden.

9.3. Entkalken

- Die Abstände für den Entkalkungsvorgang hängen von der Wasserhärte ab.
- Stellen Sie sicher, dass die Wasserzufuhr vom Gerät getrennt wurde.
- Nehmen Sie das Deckelteil vom Gerät ab.
- Montieren Sie den Injektorblock ab. Montieren Sie das Luftventil und das Rückschlagventil für Luft einschließlich der Luftanschlüsse ab.
- Legen Sie den Injektorblock in ein Entkalkungsbad - stellen Sie sicher, dass sich das Dosierventil (der Drehknopf) über der Oberfläche befindet.
- Warten Sie 60 Minuten lang.
- Spülen Sie den Block mit sauberem Wasser ab.
- Montieren Sie das Luftventil und das Rückschlagventil an den Injektorblock und montieren Sie diesen an die Anlage.
- Schließen Sie die Wasserzufuhr an das Gerät an.
- Testen Sie die Anlage in der Schaumposition und versichern Sie sich, dass das Vakuum ausreicht, empfohlen zwischen 14,8 - 20,7 inHg / -0.05 - 0.07 MPa.
- Testen Sie, dass die Anlage jeweils in der Schaumwie auch in der Spülposition starten und stoppen kann.
- Installieren Sie das Deckelteil vom Gerät erneut.

Die folgenden Entkalkungsabstände müssen eingehalten werden, um die Entstehung von Kalk in der Anlage zu verhindern, was zu Betriebsausfällen führen kann.

°dH	ppm	Zeit zwischen dem Entkalken
0-5	18-90	12 Monate
5-10	90-180	6 bis 12 Monate
10-15	180-270	3 bis 6 Monate
15-20	270-360	3 bis 6 Monate
>20	>360	1 bis 3 Monate

9.4. Kupplung

Es wird empfohlen, alle Kupplungsteile regelmäßig mit wasserfestem Schmierfett einzuölen (etwa einmal wöchentlich), um Lecks und die Beschädigung der Dichtungen zu vermeiden. Wenn die Anlage mit einer Sprühpistole ausgestattet ist, sollte der Kolben der Pistole ebenso eingeölt werden. Wenn die Schnellkupplung leckt, sollten die Dichtungen ersetzt werden.

9.5. Innenreinigung des Geräts

Wir empfehlen, dass das Innere der Anlage mindestens einmal wöchentlich gereinigt wird.

9.6. Problemanalyse und Behebung Anzeichen

Anzeichen	Mögliche Ursachen	Lösung
Kein Druck / Druck zu niedrig	Unzureichende oder fehlende Wasserzufuhr.	Ventil zur Wasserversorgung öffnen (Siehe 5.1 - Schließen des Ventils)
	Ist der Filter, wenn vorhanden, verstopft.	Reinigen Sie den Filter.
	Spüldüse nicht installiert.	Einbau der Spüldüse.
Keine oder unzureichende Ausbringung von Schaum.	Keine Versorgung mit Reinigungsmittel.	Folgen Sie der Gebrauchsanweisung für die Dosiereinheit.
	Produkt nicht geeignet.	Wählen Sie geeignetes Produkt.
	Unzureichende oder fehlende Luftzufuhr.	Ausreichende Luftzufuhr sicherstellen.
	Luftdruck in Mischkammer zu hoch.	Luftdruckeinstellungen anpassen.
	Defektes Rückschlagventil für Luft.	Defektes Rückschlagventil für Luft ersetzen.
	Falsche Düse.	Einbau einer Schaumdüse 50/150.
	Rückschlagventil blockiert.	Reinigen oder ersetzen Sie das Rückschlagventil.
Keine Sprühsanitisierung.	Keine Versorgung mit Reinigungsmittel.	Folgen Sie der Gebrauchsanweisung für die Dosiereinheit.
	Rückschlagventil blockiert.	Reinigen oder ersetzen Sie das Rückschlagventil.
	Injektor /Mischkammer blockiert	Injektor /Mischkammer reinigen.

Bei oben nicht genannten Fehlern/Störungen kontaktieren Sie bitte Ihren lokalen Ecolab Servicetechniker zur weiteren Unterstützung.

9.7. Serviceadressen und Gewährleistung**Austria**

Ecolab GmbH
 Erdbergstr, 29
 A-1031 Wien 3
 Phone: (0043) 171 52 55 02 814
 Fax: (0043) 171 52 55 02 804

Belgium

Ecolab N.V.
 Doornveld Industrie Asse Z3 nr 11, Gebouw 9
 B-1731 Zellik-Asse
 Phone: (0032) 24 67 51 11
 Fax: (0032) 24 67 51 00

Bulgaria

Ecolab Bulgaria FOOD
 Prof. Dr. G. Pavlov Str. 35
 BG-1111 Sofia
 Phone: (00359) 2 971 22 35
 (00359) 2 971 36 97
 Fax: (00359) 2 971 26 50

Croatia

Ecolab Zagreb d.o.o.
 Zavrtnica 17
 HR-10 000 Zagreb
 Phone: (00385) 1 63 21 600
 Fax: (00385) 1 63 21 633

Czech Republic

Ecolab spol. s r.o
 Jakubské náměstí 1
 CZ-656 86 Brno
 Phone: (00420) 54 22 10 823
 Fax: (00420) 54 22 11 227

Denmark

Ecolab A/S
 Carl-Jacobsensvej 29-37
 DK-2500 Copenhagen - Valby
 Phone: (0045) 36 15 85 50
 Fax: (0045) 36 15 85 99

Finland

Ecolab Ab
 Mäkelänkatu 54 A
 FIN-00510 Helsinki
 Phone: (00358) 9 39 65 51
 Fax: (00358) 9 39 65 53 05

France

Ecolab France
 8, rue Rouget de Lisle
 F-92130 Issy-les-Moulineaux Cedex
 Phone: (0033) 140 93 93 39
 Fax: (0033) 140 93 93 78

Germany

Ecolab GmbH & Co. OHG
 Postfach 13 04 06
 Reisholzer Werfstr. 38-42
 D-40554 Düsseldorf
 Phone: (0049) 211 98 93 551
 Fax: (0049) 211 98 93 386

Greece

Ecolab A.E
 15, Flemingstr.
 GR-15123 Maroussi, Athens
 Phone: (0030) 16 873 700
 Fax: (0030) 16 813 527

Hungary

Ecolab Kft.
 David Ferenc. u. 6
 H-1519 Budapest, Pf. 429
 Phone: (0036) 1 372 55 76
 (0036) 1 372 55 73
 Fax: (0036) 1 209 15 44
 (0036) 1 372 55 46

Ireland

Ecolab Ltd.
 Beechwood Close
 Boghall Rd, Bray, Co. Wicklow
 Phone: (0035) 31 28 68 225
 Fax: (0035) 31 28 69 298

Italy

Ecolab S.p.A.
 Centro Direzionale Colleoni
 Via Paracelso 6
 Palazzo Liocorno
 20041 Agrate Brianza Milano
 Phone: (0039) 039 60 50 594
 Fax: (0039) 039 60 50 573

Netherlands

Ecolab
 lipenhoeve 7
 NL-3438 MR Nieuwegein
 Phone: (0031) 30 60 82 222
 Fax: (0031) 30 60 82 228

Norway

Ecolab a.s
Stålverksvägen 1,
Postboks 6440 - Etterstad
N-0605 Oslo
Phone: (0047) 22 68 18 00
Fax: (0047) 36 15 85 99

Poland

Ecolab sp.z o.o.
Ul. Kalwaryjska 69
PL-30504 Krakow
Phone: (0048) 12 261 61 09
Fax: (0048) 12 262 61 01

Portugal

Henkel Higiene Lda.
Estrada Outeiro de Polima
Monte Trigo
Lote C2-Aboboda
2775 Parede
Phone: (0035) 11 44 50 522
Fax: (0035) 11 44 51 071

Romania

Ecolab srl
3, Sos Nicolina Street
B1. 928, parter
Iasi-6600 Romania
Phone: (0040) 32 22 1859
(0040) 32 22 2597
(0040) 32 22 6459
(0040) 32 22 6451
Fax: (0040) 32 22 6448

Russia

Ecolab ZAO
Marksistskaya 3, Street 1
111024 Moscow
Phone: (007) 980 70 60
Fax: (007) 980 70 69

Slovakia

Ecolab Bratislava Spol. s.r.o.
Cajakova 18
811 05 Bratislava
Phone: (00421) 7 5446 391
Fax: (00421) 7 5446 388

Slovenia

Ecolab d.o.o. Maribor
Vajngerlova 4
Postfach 1007
SLO-2001 Maribor
Phone: (0038) 62 42 93 100
Fax: (0038) 62 42 93 152

Spain

Ecolab S.A.
Edificio Conata
Fructuós Gelabert, 2-4
08790 San Joan Despí Barcelona
Phone: (0034) 93 475 8900
Fax: (0034) 93 477 0075

Sweden

Ecolab AB
Fruängsplan 10
S-12907 Hägersten
Phone: (0046) 8 60 32 200
Fax: (0046) 8 60 32 288

Switzerland

Ecolab GmbH
Kägenstrasse 10
CH-4153 Reinach
Phone: (0041) 61 46 69 466
Fax: (0041) 61 46 69 444

Turkey

Ecolab Temizlerne
Sistemleri A.S.
Altayce.Mahal. Narli giftligi
Mevkii Engin Cikmazi No 6
81530 Maltepe
Phone: (0090) 216 360 72 33
Fax: (0090) 216 360 63 16

Ukraine – Kiev

Ecolab
Bulv. Lichachova, 1/27
01133 Kiev
Phone: (0038) 044 230 2369
(0038) 044 230 2372
Fax: (0038) 044 295 7125

United Kingdom

Ecolab UK Ltd.
David Murray John Building,
Swindon, Wiltshire SN1 1 ND

Phone: (0044) 1 793 54 87 80
Fax: (0044) 1 793 54 88 92

Gewährleistung

Die Gewährleistung gilt für eine Dauer von 24 Monaten ab dem Lieferdatum der Anlage, und für eine Dauer von 12 Monaten ab Inbetriebnahme der Ersatzteilen und Zubehör, die aufgrund Design und Produktionsfehlern untauglich geworden sind.

Als Formen der Gewährleistung haben hierbei entweder Erstattung, Ersatz oder Reparatur der fehlerhaften bzw. beschädigten Teile in unserem Betrieb Gültigkeit.

Die Installation und Frachtkosten werden in Rechnung gestellt. Alle fehlerhaften Teile müssen uns zur Verfügung gestellt werden. Sonstige Ansprüche werden nicht anerkannt. Es wird keine Haftung für indirekt entstandene Schäden übernommen.

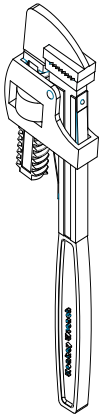

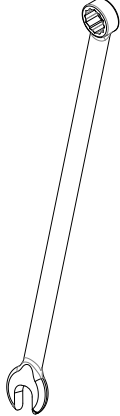

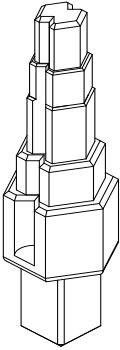
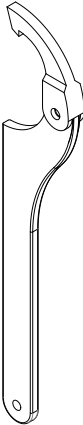
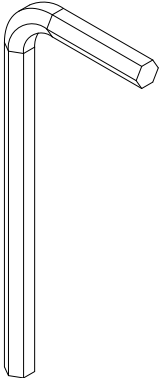

Der Käufer ist nicht berechtigt, einen Dritten mit der Reparatur möglicher Fehler auf unsere Rechnung zu beauftragen.

Alle Schläuche, Gummiteile oder synthetischen Materialien, natürliche Abnutzung sowie Schäden aufgrund nachlässiger und unsachgemäßer Behandlung, einschließlich Transportschäden, sind nicht in der Gewährleistung beinhaltet. Darüber hinaus gilt die Gewährleistung nicht, wenn die Station Frost ausgesetzt war. Die Verpflichtung zur Gewährleistung erlischt ebenso, falls Veränderungen oder Reparaturen von nicht-autorisierten Personen durchgeführt wurden. Ansprüche aus der Gewährleistung werden nur anerkannt, wenn sie unmittelbar nach Entdeckung des Fehlers geltend gemacht werden. Die Gewährleistung erlischt im Falle des Wechsels des Eigentümers.

Ecolab kann nicht für Personenschäden, Beschädigungen an Anlagen, Arbeitsausfälle, einschließlich Produktionsverluste, Gewinnschmälerungen, Bestandsverluste o.ä., die durch unvollständige oder verzögerte Lieferung des verkauften Produktes, ungeachtet des Grundes, einschließlich Produktions- und Materialfehlern, haftbar gemacht werden. Bitte beachten Sie unsere Verkaufs- und Lieferungsbedingungen.

10. Werkzeuge

Standardwerkzeuge, die nützlich/nötig für den Service und die Instandhaltung der kompletten Anlage sind

	<p>BF/BW & MB Booster Hauptstation Foamatic Hauptstation</p>		<p>Satelliten BF/BW & MB Booster Hauptstation Foamatic Satelliten Foamatic Hauptstation</p>
	<p>Satelliten BF/BW & MB Booster Hauptstation Foamatic Satelliten Foamatic Hauptstation</p>		<p>Satelliten BF/BW & MB Booster Hauptstation Foamatic Satelliten Foamatic Hauptstation</p>
	<p>BF/BW & MB Booster</p>		<p>Foamatic Satelliten Foamatic Hauptstation</p>
	<p>Satelliten BF/BW & MB Booster Hauptstation Foamatic Satelliten Foamatic Hauptstation</p>		<p>Satelliten Hauptstation Foamatic Satelliten Foamatic Hauptstation</p>

11. Nach der Verwendung

11.1. Demontage

Schließen Sie alle Versorgungsventile und entfernen Sie das Gerät von der Wand/Halterung.

11.2. Entsorgung

Wenn das Gerät entsorgt wird, sollte es demontiert und in recycelbare und nicht recycelbare Teile getrennt werden.

Die Stahlkonstruktion wird einfach demontiert und entsorgt und stellt kein Umweltrisiko dar - auch für den Benutzer nicht.

Die Entsorgung muss sich nach den gültigen Regelungen und Bestimmungen zur Entsorgung von Maschinen richten und alle Umweltschutzstandards erfüllen.



VORSICHT

Die Entsorgung von elektronischen Elementen und anderen Mitteln sollte als Sonderentsorgung gehandhabt werden. Alternativ können sie von einem spezialisierten Entsorgungsunternehmen entsorgt werden.

1. Table des matières

2.	Symboles utilisés dans ce document Généralités	42
3.	Généralités	43
3.1.	Plaque d'identification.	44
3.2.	Fournisseur	44
3.3.	Spécifications	45
4.	Présentation et utilisation	46
5.	Sécurité du système.....	46
5.1.	Fermeture de la vanne d'alimentation en eau. Accessoires	46
5.2.	Fermeture de la vanne d'alimentation en air.....	46
5.3.	Dysfonctionnements prévus	46
5.4.	Risques de désactivation	47
6.	Installation.....	47
6.1.	Bruit.....	47
6.2.	Instructions de montage	47
6.3.	Transport.....	47
6.4.	Vibrations	47
6.5.	Raccordement de l'eau	47
6.6.	Raccordement de l'air.....	48
6.6.1.	Fourniture de détergent	48
6.7.	Raccordement de flexible.....	48
7.	Procédures de fonctionnement.....	49
7.1.	Mise en marche	49
7.1.1.	Démarrage	49
7.1.2.	Arrêt	49
7.1.3.	Réglage du détergent	49
7.1.4.	Réglage de l'air.....	49
7.2.	Entretien, détection des pannes et service.....	50
8.	Utilisation.....	50
8.1.	Avant toute utilisation	50
8.2.	Marche/Arrêt (changement, rinçage, mousse, des).....	50
9.	Entretien, détection des pannes et service	51
9.1.	Maintenance préventive.....	51
9.2.	Rinçage du système d'alimentation chimique/d'injection.....	51
9.3.	Détartrage.....	51
9.4.	Raccordement	51
9.5.	Nettoyage interne de l'appareil.....	51
9.6.	Détection des pannes et solution	52
9.7.	Adresse du service/Garantie.....	53
10.	Outils	56
11.	Fin d'utilisation.....	57
11.1.	Démontage	57
11.2.	Mise au rebut	57
12	Pièces détachées	75

2. Symboles utilisés dans ce document Généralités

	<p>À lire avant utilisation</p>
	<p>Veillez porter des lunettes lors de l'utilisation de l'appareil</p>
	<p>Veillez porter des gants et des vêtements appropriés lors de l'utilisation de l'appareil.</p>
	<p>Remarque : Situation potentiellement dommageable. Conséquences possibles : Le produit ou des éléments l'environnement pourraient être endommagés. Prévention</p>
	<p>Danger : Situation dangereuse. Conséquences possibles : des blessures légères ou mineures. Peut également être utilisé pour prévenir les dommages contre les biens ou d'autres produits.</p>
	<p>Avertissement : Situation potentiellement dangereuse. Conséquences possibles : Des blessures graves voire mortelles. Prévention.</p>
	<p>Attention : Situation dangereuse. Conséquences possibles : Des blessures graves voire mortelles. Prévention.</p>
	<p>Danger : AVERTISSEMENT ! Bords coupants, attention à vos doigts.</p>

3. Généralités

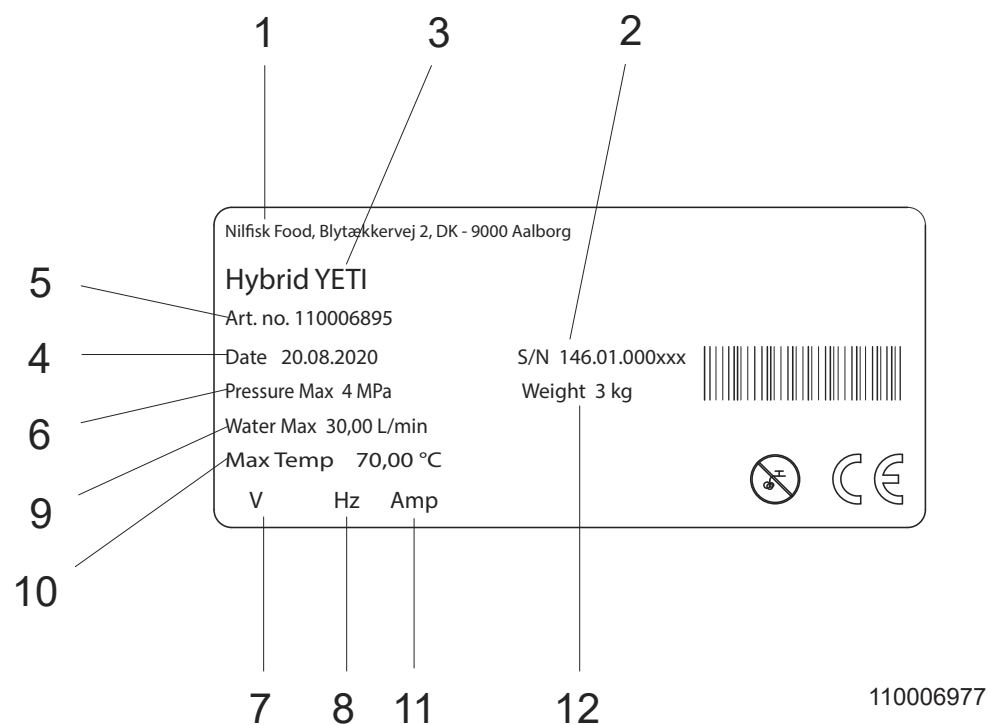
Nilfisk FOOD vous félicite pour votre nouvel équipement de nettoyage moussant à basse pression et désinfectant.

Cet équipement offre la toute dernière technologie en matière d'équipement de nettoyage à basse pression à votre usine.

Cet équipement peut être utilisé pour le rinçage, la formation de mousse et l'application de désinfectants.

Il est important que votre personnel opérationnel lise ces instructions d'utilisation avant l'installation, le démarrage et l'utilisation de l'équipement

3.1. Plaque d'identification.



1. Fabricant
2. N° de série
3. Modèle
4. Date de fabrication
5. N° de l'article
6. Pression maximale
7. Tension d'alimentation
8. Fréquence
9. Consommation d'eau maximale
10. Température maximale
11. Courant
12. Poids.

3.2. Fournisseur

Nilfisk FOOD
Blytækkervej 2
DK-9000 Aalborg, Danemark
Tél. : +45 7218 2000
N° CVR 6257 2213
www.nilfiskfood.com

3.3. Spécifications

Caractéristiques techniques				
	Unités	TW	HP	PD
Eau				
Entrée / sortie, type de connexion	Pouce	1/2"		
Dimension du tuyau de sortie recommandée (min)	Pouce	3/4"		
Pression de sortie max.	bars	40	80	25
Consommation durant le moussage	l/min	6	7	6
Pression d'alimentation min.	bars	3	30	6
Pression d'alimentation max.	bars	7	80	25
Alimentation min.	l/min	10	10	10
Temp. max.	C	70°C	70°C	70°C
Air				
Anschlusstyp Einlass	mm	Ø6 mm à pousser		
Mindestdruck der Luftzufuhr	bar/MPa	6/0.6		
Maximaldruck Luftzufuhr	bar/MPa	9/0.9		
Erforderliche Durchflussrate	NL/min	75		
Buses (recommandé)				
Buse de rinçage		25/30		
Buse à mousse		50/150		
Buse du pulvérisateur		40/30		
Généralités				
Nombre de produits		1		
Longueur max flexible (recommandée)	mètre	25		
Dimensions H x l x P	mm	258 x 203 x 107		
Poids	kg	3,2		

4. Présentation et utilisation

L'unité Hybride YETI est une station de nettoyage complète à connecter à un booster ou à une unité principale. L'appareil nécessite une alimentation en eau en quantité suffisante, en air comprimé, en détergent et en désinfectant.

Consommations :

L'appareil est agréé pour l'utilisation de détergents et désinfectants.



Avertissement :

Ne changez pas les paramètres définis ou recommandés par le fournisseur des détergents.

Les détergents sont alimentés par un système de Bloc utilisateur ou de bidons standards distincts. L'alimentation peut aussi être effectuée par un système de tuyauterie.

Avant l'installation et la configuration de l'appareil, lisez toujours attentivement ces instructions. Veuillez à toujours respecter les procédures de sécurité personnelle pour les produits chimiques dans le cadre des procédures de remplissage (remplacement du produit), la maintenance et la réparation. Consultez également l'étiquette du produit et la fiche MSDS.

Instructions de sécurité

Seul du personnel de service professionnel est autorisé à effectuer le service et les réparations sur l'appareil.

Seul du personnel qualifié est autorisé à utiliser l'appareil.

5. Sécurité du système

En cas d'erreur/de défaut ou de service sur l'équipement :

1. fermer l'alimentation en eau
2. fermer l'alimentation en air

5.1. Fermeture de la vanne d'alimentation en eau.

Accessoires

Grâce à cette vanne, l'appareil peut être isolé de l'alimentation en eau. En outre, un clapet anti-retour est intégré dans le bloc pour empêcher le reflux de l'eau.

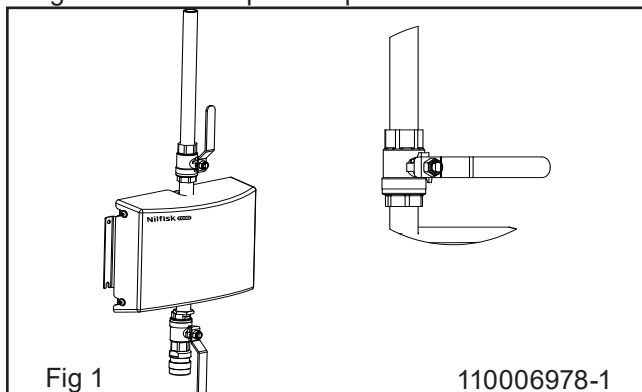


Fig 1

110006978-1

5.2. Fermeture de la vanne d'alimentation en air.

Nous recommandons d'installer une valve de fermeture avec deux clapets de non-retour d'air sur l'arrivée d'air. Cela permet de débrancher la prise d'air et d'éviter ainsi le refoulement de l'air.



Veillez porter des lunettes lors de l'utilisation de l'appareil.



Veillez porter des gants et des vêtements appropriés lors de l'utilisation de l'appareil.

5.3. Dysfonctionnements prévus

Tube de jet d'air dans l'appareil :

- L'appareil ne doit jamais être utilisé sans le capot avant.
- La vanne de fermeture de l'air sur/pour le branchement de l'appareil doit toujours être fermée lorsqu'il n'est pas utilisé.
- Le tuyau d'air et le raccord doivent être examinés régulièrement et remplacés en cas de dommages visibles.

Défaillance des clapets anti-retour pour l'air et l'eau :

- L'appareil ne doit jamais être utilisé sans le capot.
- La vanne de fermeture d'air et d'eau sur/pour le branchement de l'appareil doit toujours être fermée lorsque l'appareil n'est pas utilisé.
- Après l'utilisation de l'appareil, tous les clapets anti-retour de produits chimiques doivent être rincés abondamment à l'eau. Suivez les instructions dans le paragraphe 9.2.
- Les clapets anti-retour pour l'air et l'eau doivent être examinés au moins une fois par an par du personnel autorisé pour rechercher les défauts.

Réparation de l'appareil :

- Ne tentez pas de réparer un appareil défectueux par vous-même. Contactez toujours une société de service agréée.
- Bloquez et marquez tout appareil défectueux afin d'éviter une utilisation involontaire - voir le paragraphe ci-dessous en ce qui concerne le « Risque de désactivation - Utilisation de l'appareil »
- Pour des raisons de sécurité, utilisez seulement des pièces de rechange d'origine et agréées.

5.4. Risques de désactivation

Utilisation de l'appareil :

- N'utilisez jamais l'appareil sans connaître au préalable les instructions d'utilisation de l'appareil et ses consignes de sécurité. Les instructions doivent être préparées par du personnel formé/qualifié.
- N'utilisez jamais l'appareil sans avoir lu le guide de sécurité et les instructions fournis.
- Fermez toujours l'alimentation eau et en l'air après usage.

Appareil endommagé :

- N'utilisez jamais l'appareil en cas de fuite (air, eau ou produit chimique).
- N'utilisez jamais l'appareil s'il n'est pas possible de faire fonctionner les vannes de fermeture et/ou s'il n'est pas possible de sélectionner opération requise.
- N'utilisez jamais l'appareil s'il a été retiré de son emplacement de montage d'origine.

6. Installation

Pour raison de sécurité, il est important de lire l'ensemble des informations avant l'installation de cet équipement. De plus, la législation en vigueur au moment de l'achat doit toujours être prise en compte lors de l'installation et du montage de cet équipement, quel que soit le contenu de ce manuel. En cas de conflit, veuillez contacter votre distributeur.

6.1. Bruit

Niveau sonore selon la norme ISO 11202 ; inférieur à 70 dB

6.2. Instructions de montage



- L'appareil doit être monté dans une pièce à l'abri du gel.
- L'appareil peut être monté sur un mur ou sur un châssis séparé qui peut être installé dans des zones de production et ancré au sol.
- Pour le montage mural, notez les points suivants :
- Le mur de fixation doit être un mur de briques stable ou un mur en béton.



- Le support livré doit être fixé au mur à l'aide des vis fournies et des chevilles correspondantes.
- Le support mural doit être monté sur le mur selon la description ci-dessus et l'unité est accrochée au support. Le porte-tuyau et le support du Bloc utilisateur doivent être montés ensuite (Voir l'installation / schéma de montage).

6.3. Transport

Pour le transport sécurisé de l'appareil, nous recommandons toujours de veiller à ce que l'appareil ne puisse pas glisser ou basculer. L'appareil peut nécessiter une fixation avec des sangles.

Transport de l'appareil uniquement en position horizontale : L'appareil ne doit pas être placé à l'avant où se trouve le panneau de commande. Il ne peut pas non plus être placé au-dessus ou sous les emplacements de montage des raccords et des sorties. Dans le cas de l'appareil est amené à une température d'environ ou inférieure à 0°C (32°F), vous devez toujours vous assurer que l'eau a été entièrement évacuée. Dans le cas contraire, vous risquez d'endommager l'appareil.

6.4. Vibrations

Vibrations dans les mains et dans les bras selon la norme ISO 5349-1

6.5. Raccordement de l'eau



- Avant de raccorder l'appareil à la conduite d'alimentation en eau, celle-ci doit être rincée soigneusement afin d'éliminer les impuretés grossières et les copeaux de métal.
- Le raccordement de l'eau doit être effectué sur la partie supérieure de l'appareil. (voir schéma d'implantation).
- Le diamètre interne minimal de la conduite d'alimentation doit être d'au moins 1/2" à l'extérieur (ø16 mm à l'intérieur).
- L'appareil est agréé pour l'utilisation de détergents et désinfectants. (voir schéma d'implantation)
- La perte de pression dans la conduite d'alimentation doit être maintenue aussi basse que possible des clapets
-évitant les longues conduites d'alimentation



- montant une résistance basse pression des clapets à bille et
- évitant les raccords avec perte de pression élevée.
- Lors de l'installation de la tuyauterie, prenez soin d'éviter les purgeurs d'air.

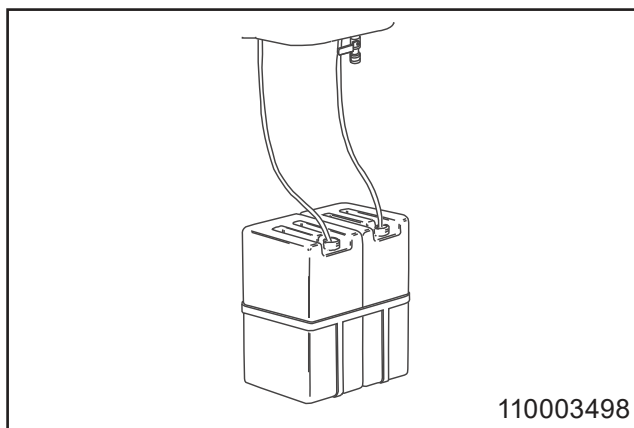
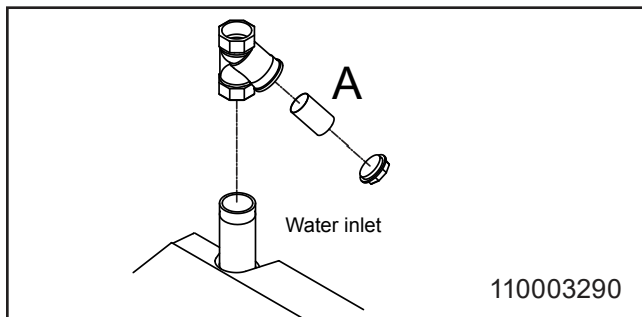


- Tous les raccords de tuyau de l'appareil doivent être vissés afin d'assurer une maintenance simple et le démantèlement de l'appareil.

Température max. d'eau d'alimentation autorisée.
 Pression max. d'eau d'alimentation autorisée.
 Consommation d'eau en mode rinçage.
 (voir 3.3. Données techniques).



- Pour un fonctionnement optimal du système d'injection, nous recommandons d'installer un filtre sur l'arrivée afin d'éviter les impuretés.



- Après l'utilisation et lors du changement du produit, ainsi qu'après l'utilisation de l'appareil, retirez le tuyau du bidon et rincez la conduite d'arrivée de produit et l'injecteur avec de l'eau propre.

6.6. Raccordement de l'air



- Avant de raccorder l'appareil à la conduite d'alimentation en air, la tuyauterie doit être rincée soigneusement afin d'éliminer les impuretés grossières.

- L'unité nécessite une suralimentation en air
 - une pression d'arrivée de 2/6 bars minimum
 - une capacité minimale de 200 l/min

6.6.1. Fourniture de détergent Satellite sans Système Bloc Utilisateur.

Voir schéma n° 110003498

- Placer le bidon avec le détergent dans le porte-bidon
- Vérifiez le filtre d'aspiration d'impuretés.
- Mettez le tuyau d'aspiration dans le bidon au-dessous du niveau de produit et évitez toute aspiration d'air.
- Après le pré-rinçage, vérifiez à nouveau que le tuyau est assez en dessous du niveau du produit et évitez toute aspiration d'air au cours du mousage ou de la pulvérisation.

Satellite avec Système Bloc Utilisateur

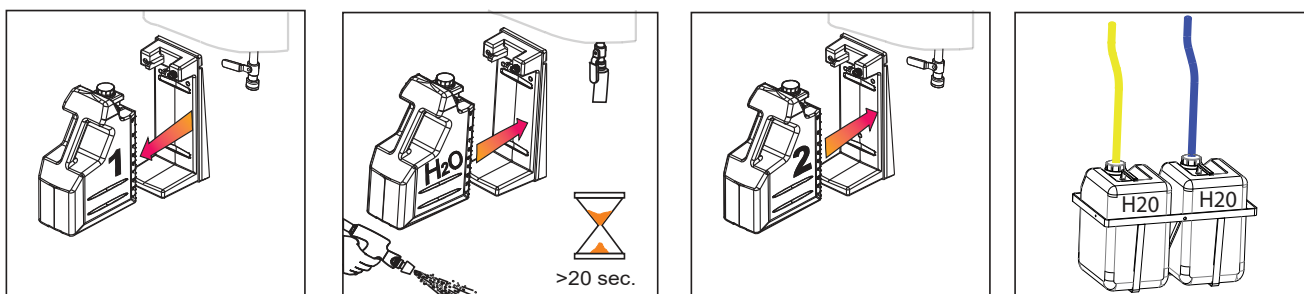
Voir schéma n° 110003485.

- Placez le Bloc Utilisateur spécial dans le support automatique.
- Lors du passage à un autre produit à la fin du processus de nettoyage, rincez la conduite d'arrivée du produit avec de l'eau propre comme suit :
- Remplacez le Bloc Utilisateur contenant le produit par un avec de l'eau propre ; placez la buse de mousse et ouvrez le robinet de sortie/le pulvérisateur. La conduite d'arrivée de produit est maintenant rincée avec de l'eau propre avant l'utilisation d'un autre produit ou.

6.7. Raccordement de flexible.

- Le tuyau spécial muni d'un pulvérisateur/robinet de sortie est relié au raccord rapide de sortie de l'appareil (n° de schéma d'implantation).
- Longueur de tuyau maximale : 30 m.

Il est recommandé de n'utiliser que des tuyaux Nilfisk FOOD, qui ont été testés pour la résistance.



110003485

7. Procédures de fonctionnement

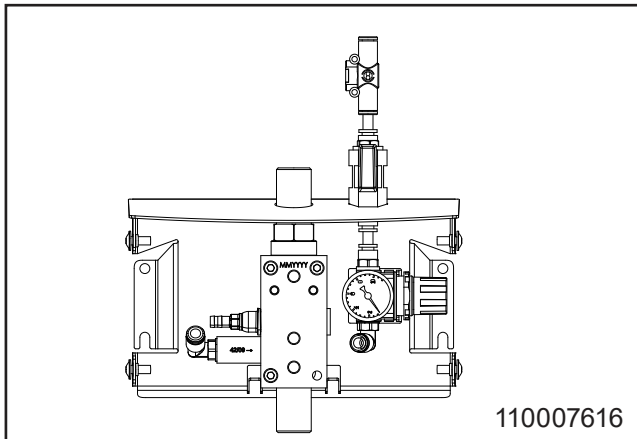
7.1. Mise en marche

7.1.1. Démarrage

1. Assurez-vous que l'alimentation en eau et en air de l'appareil est ouverte. Pour l'air, consultez le schéma d'implantation. Dans le cas de l'alimentation en produits chimiques, elle doit également être activée.
2. Sélectionnez la fonction souhaitée. Utilisez l'appareil selon le « Guide Utilisateur ».

7.1.2. Arrêt

1. Fermez l'alimentation en eau (schéma d'implantation).
2. Fermez l'alimentation en air (schéma d'implantation).
3. Désactivez l'alimentation en produits chimiques en tirant le tuyau d'aspiration ou en retirant le bloc utilisateur.



En raison de ce qui suit, il est important de fermer l'alimentation en eau, air et produits chimiques lorsque l'appareil n'est pas en cours d'utilisation.

- Si l'alimentation en air est ouverte lorsque l'appareil n'est pas utilisé - l'air peut s'infiltrer dans la conduite d'eau - ce qui signifie que le système doit être purgé de nouveau.

7.1.3. Réglage du détergent

Démontez le couvercle de l'appareil.

Le réglage du détergent peut être effectué grâce à un gicleur limiteur ou une vanne de dosage (schéma d'implantation).

Le gicleur limiteur est placé dans l'embout d'aspiration du clapet anti-retour (110007616) et peut être remplacé par un gicleur plus petit ou plus gros en fonction de la concentration nécessaire, consultez également le tableau d'instructions.



Tous les tests ont été effectués avec Topax 12



Taille du gicleur en mm	Concentration par 20 bars en %
0,4	0,75
0,5	1,15
0,6	1,65
0,7	2,20
0,8	2,90
0,9	3,60
1,0	4,40
1,1	5,3
1,5	9,4



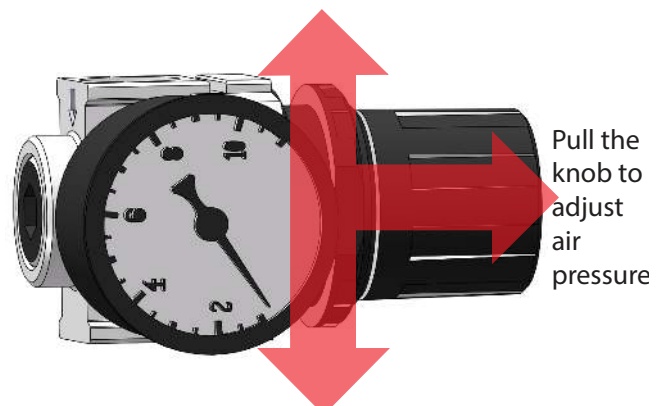
Taille du gicleur en mm	Concentration par 20 bars/290PSI
Dégager	0,36 %
Rose	0,51 %
Bleu clair	0,64 %
Violet	0,70 %
Turquoise	1,43 %
Jaune	1,95 %
Marron	20,01 %
Orange	2,18 %
Vert	2,62 %
bronzer	3,94 %
Bleu	4,88 %
Blanc	6,02 %
Rouge	6,87 %
Beige	7,36 %
le noir	7,86 %
gris	7,96 %

7.1.4. Réglage de l'air

Démontez le couvercle de l'appareil.

Ajuster la pression de l'air sur la valve de réduction jusqu'à l'obtention d'une mousse de qualité appropriée

Turn clockwise to decrease air pressure



Turn counter clockwise to increase air pressure



Lors du réglage du régulateur, tirez délicatement sur le bouton et tournez-le dans le sens horaire pour augmenter la pression et antihoraire pour la diminuer.

7.2. Entretien, détection des pannes et service

Instructions de maintenance

1. Raccords rapides : il est recommandé de lubrifier toutes les pièces des raccords régulièrement, env. une fois par mois avec de la graisse hydrofuge pour éviter les fuites et l'endommagement des joints toriques.
2. En cas de fuite des raccords rapides, les joints toriques doivent être remplacés.
3. Selon l'utilisation, l'entretien doit être effectué par un technicien de maintenance agréé au moins une fois par an afin d'éviter les défauts et les dysfonctionnements. Les techniciens agréés sont des personnes qui, en raison de leurs compétences et de leur expérience ont une connaissance suffisante des systèmes d'hygiène et sont à l'aise avec les règles nationales de sécurité du travail, la réglementation sur la prévention des accidents, des instructions et les réglementations techniques généralement reconnues telles que les normes DIN et les directives VDE. Pour votre sécurité, cet appareil de nettoyage a été fabriqué conformément à toutes les réglementations correspondantes en vigueur dans l'UE et il comporte le marquage CE. Pour plus amples renseignements, veuillez consulter le service clientèle.
4. Lorsque le processus de nettoyage est terminé ou que les produits chimiques ont été changés, il est important de rincer les systèmes d'aspiration et d'injection de la manière suivante :
5. Remplacez le bidon par un bidon contenant de l'eau propre.
6. Placez le tuyau d'aspiration dans le bidon d'eau.
 - Connectez la buse de mousse.
 - Ouvrez le pulvérisateur/le robinet de sortie et laissez-le ouvert jusqu'à ce que l'injecteur soit rincé (env. 30 secondes).
7. Retirez le tuyau d'aspiration du bidon d'eau. Il est recommandé de détartrer l'appareil selon le paragraphe 9.3
8. Il est recommandé de nettoyer la surface à l'intérieur de l'appareil au moins une fois par mois afin d'entretenir les pièces et d'éviter leur corrosion.

8. Utilisation

8.1. Avant toute utilisation

Si le mur de fixation est en briques ou en béton, les vis et chevilles fournies peuvent être utilisées, sinon s'assurer que le mur est assez solide pour supporter l'appareil.



La conduite doit être rincée avant de raccorder le système. Veuillez consulter l'ill. n°3 pour avoir des informations supplémentaires sur l'endroit où soulever lors du déballage et du montage de l'appareil.



Retirez le couvercle avant de monter l'appareil sur le mur.

8.2. Marche/Arrêt (changement, rinçage, mousse, des)

Démarrer Satellite

1. Vérifiez que les alimentations en eau et en air du système sont ouvertes.
2. Assurez-vous que l'alimentation en eau et en air de l'appareil est ouverte. Pour l'air, consultez le schéma d'implantation. Dans le cas de l'alimentation en produits chimiques, elle doit également être activée.
3. Sélectionnez la fonction souhaitée. Utilisez l'appareil selon le « Guide Utilisateur ».

Arrêter Satellite

1. Fermer l'alimentation en eau
2. Fermer l'alimentation en air



Il est important de fermer l'eau et l'air avant de quitter la machine après utilisation.

- Si l'alimentation en air est ouverte quand l'appareil est hors fonction, l'air peut s'infiltrer dans la canalisation d'eau. Il faudra alors repurger le système.

Il peut s'avérer nécessaire de repurger la tuyauterie et l'appareil en cas de mise hors service prolongée (congé ou autres).



ATTENTION

L'alimentation en produits chimiques doit toujours être rincée entièrement après usage.

1. Pour éliminer les détergents et/ou résidus de désinfectants de l'alimentation en produits chimiques, procéder comme suit :
2. Retirez le Bloc Utilisateur et le bidon standard.
3. Tenez le flacon de rinçage d'eau claire fermement contre l'ouverture d'aspiration (avec Bloc Utilisateur). Vous pouvez aussi placer un Bloc Utilisateur avec de l'eau propre dans le support ou – sans Bloc Utilisateur – placer le flexible dans un seau d'eau propre.
4. Activez la poignée du flexible jusqu'à ce que de l'eau propre sorte de la buse (30 secondes env.)

9. Entretien, détection des pannes et service

9.1. Maintenance préventive

Selon l'utilisation, l'entretien doit être effectué par un technicien de maintenance agréé au moins une fois par an afin d'éviter les défauts et les dysfonctionnements. Les techniciens agréés sont des personnes qui, en raison de leurs compétences et de leur expérience ont une connaissance suffisante des systèmes d'hygiène et sont à l'aise avec les règles nationales de sécurité du travail, la réglementation sur la prévention des accidents, des instructions et les réglementations techniques généralement reconnues telles que les normes DIN et les directives VDE. Pour votre sécurité, cet appareil de nettoyage a été fabriqué conformément à toutes les réglementations correspondantes en vigueur dans l'UE et il comporte le marquage CE. Pour plus d'informations, veuillez consulter le service clientèle.

9.2. Rinçage du système d'alimentation chimique/d'injection



L'alimentation en produits chimiques doit toujours être rincée à fond après usage.

Les résidus de détergents ou de désinfectants peuvent encrasser l'injecteur. Il doit donc être rincé ou remplacé.

Pour éliminer les détergents et/ou résidus de désinfectants de l'alimentation en produits chimiques, procéder comme suit :

1. Retirez le Bloc Utilisateur, le cas échéant.
2. Tenez le récipient de rinçage avec de l'eau propre, fermement contre l'ouverture d'aspiration (avec Bloc Utilisateur) ou contre le flexible (sans Bloc Utilisateur). Vous pouvez aussi placer un Bloc Utilisateur avec de l'eau propre dans le support ou – sans Bloc Utilisateur – placer le flexible dans un seau d'eau propre.
3. Activez la poignée du flexible jusqu'à ce que de l'eau propre sorte de la buse (30 secondes env.)



Suivre cette procédure côté détergent et côté désinfectant (si installé).

9.3. Détartrage

- La fréquence de la procédure de détartrage dépend de la dureté de l'eau.
- Assurez-vous que l'arrivée d'eau est fermée.
- Démontez le couvercle de l'appareil.
- Démontez le bloc d'injection. Démontez la vanne d'air et le clapet anti-retour d'air, y compris les pièces de fixation pour l'air.
- Mettez le bloc d'injection dans un bain de détartrage - assurez-vous que la vanne de dosage (la poignée) est au-dessus de la surface.
- Attendez 60 minutes.
- Rincez le bloc dans de l'eau claire.
- Montez la vanne d'air et le clapet anti-retour sur le bloc d'injection et ce bloc dans l'appareil.
- Raccordez l'eau à l'appareil.
- Testez l'appareil en position moussage (Foam) et assurez-vous que le vide est suffisant, il doit être entre 14,8 - 20,7 inHg / -0.05 - 0.07 MPa.
- Testez pour vérifier que l'appareil peut démarrer et s'arrêter en mode rinçage et moussage
- Remettez le couvercle sur l'appareil

Vous devez respecter la fréquence de détartrage suivante pour éviter que l'appareil ne s'entarte, ce qui pourrait entraîner son dysfonctionnement

°dH	ppm	Temps entre chaque détartrage
0-5	18-90	12 mois
5-10	90-180	6 à 12 mois
10-15	180-270	3 à 6 mois
15-20	270-360	3 à 6 mois
>20	>360	1 à 3 mois

9.4. Raccordement

Il est recommandé de lubrifier toutes les pièces des raccords régulièrement (environ une fois par semaine) avec de la graisse imperméable pour éviter les fuites et l'endommagement des emballages. Si l'appareil est équipé d'un pulvérisateur, le piston de celui-ci doit également être lubrifié.

En cas de fuite des raccords rapides, les joints doivent être remplacés.

9.5. Nettoyage interne de l'appareil

Nous vous recommandons d'ouvrir et de nettoyer l'intérieur de l'appareil au moins une fois par semaine.

9.6. Détection des pannes et solution

Symptômes	Causes possibles	Solution
Pas de pression/pression trop faible.	Insuffisant ou aucune alimentation en eau.	Ouvrir l'eau du robinet (voir 5.1 - fermeture du robinet).
	Si le filtre est bouché.	Nettoyer le filtre.
	Buse de rinçage non installée.	Placer la buse de rinçage.
Insuffisant ou pas de création de mousse.	Pas d'alimentation en produits dilués.	Consulter les instructions d'utilisation de l'unité de dosage.
	Produit non compatible.	Choisir un produit compatible.
	Insuffisant ou aucune alimentation en air.	Fournir une alimentation en air suffisante.
	Pression de l'air dans la chambre de mélange trop élevée.	Régler la pression de l'air.
	Défaut du clapet anti-retour d'air.	Remplacer le clapet anti-retour d'air.
	Mauvaise buse.	Placer une buse de moussage 50/150.
	Clapet anti-retour bloqué.	Nettoyer et remettre le clapet anti-retour.
Pas de spray de désinfection.	Injecteur / chambre de mélange bloqué	Nettoyer la buse.
	Pas d'alimentation en produits dilués.	Consulter les instructions d'utilisation de l'unité de dosage.
	Clapet anti-retour bloqué.	Nettoyer et remettre le clapet anti-retour.
	Injecteur / chambre de mélange bloqué.	Injecteur propre / chambre de mélange.

En cas d'erreurs/de problèmes non mentionnés ci-dessus, contactez votre technicien de maintenance Ecolab local pour obtenir de l'aide.

9.7. Adresse du service/Garantie

Austria

Ecolab GmbH
Erdbergstr, 29
A-1031 Wien 3
Phone: (0043) 171 52 55 02 814
Fax: (0043) 171 52 55 02 804

Belgium

Ecolab N.V.
Doornveld Industrie Asse Z3 nr 11, Gebouw 9
B-1731 Zellik-Asse
Phone: (0032) 24 67 51 11
Fax: (0032) 24 67 51 00

Bulgaria

Ecolab Bulgaria FOOD
Prof. Dr. G. Pavlov Str. 35
BG-1111 Sofia
Phone: (00359) 2 971 22 35
(00359) 2 971 36 97
Fax: (00359) 2 971 26 50

Croatia

Ecolab Zagreb d.o.o.
Zavrtnica 17
HR-10 000 Zagreb
Phone: (00385) 1 63 21 600
Fax: (00385) 1 63 21 633

Czech Republic

Ecolab spol. s r.o.
Jakubské náměstí 1
CZ-656 86 Brno
Phone: (00420) 54 22 10 823
Fax: (00420) 54 22 11 227

Denmark

Ecolab A/S
Carl-Jacobsensvej 29-37
DK-2500 Copenhagen - Valby
Phone: (0045) 36 15 85 50
Fax: (0045) 36 15 85 99

Finland

Ecolab Ab
Mäkelänkatu 54 A
FIN-00510 Helsinki
Phone: (00358) 9 39 65 51
Fax: (00358) 9 39 65 53 05

France

Ecolab France
8, rue Rouget de Lisle
F-92130 Issy-les-Moulineaux Cedex
Phone: (0033) 140 93 93 39
Fax: (0033) 140 93 93 78

Germany

Ecolab GmbH & Co. OHG
Postfach 13 04 06
Reisholzer Werfstr. 38-42
D-40554 Düsseldorf
Phone: (0049) 211 98 93 551
Fax: (0049) 211 98 93 386

Greece

Ecolab A.E
15, Flemingstr.
GR-15123 Maroussi, Athens
Phone: (0030) 16 873 700
Fax: (0030) 16 813 527

Hungary

Ecolab Kft.
David Ferenc. u. 6
H-1519 Budapest, Pf. 429
Phone: (0036) 1 372 55 76
(0036) 1 372 55 73
Fax: (0036) 1 209 15 44
(0036) 1 372 55 46

Ireland

Ecolab Ltd.
Beechwood Close
Boghall Rd, Bray, Co. Wicklow
Phone: (0035) 31 28 68 225
Fax: (0035) 31 28 69 298

Italy

Ecolab S.p.A.
Centro Direzionale Colleoni
Via Paracelso 6
Palazzo Liocorno
20041 Agrate Brianza Milano
Phone: (0039) 039 60 50 594
Fax: (0039) 039 60 50 573

Netherlands

Ecolab
lipenhoeve 7
NL-3438 MR Nieuwegein
Phone: (0031) 30 60 82 222
Fax: (0031) 30 60 82 228

Norway

Ecolab a.s
Stålverksvågen 1,
Postboks 6440 - Etterstad
N-0605 Oslo
Phone: (0047) 22 68 18 00
Fax: (0047) 36 15 85 99

Poland

Ecolab sp.z o.o.
Ul. Kalwaryjska 69
PL-30504 Krakow
Phone: (0048) 12 261 61 09
Fax: (0048) 12 262 61 01

Portugal

Henkel Higiene Lda.
Estrada Outeiro de Polima
Monte Trigo
Lote C2-Aboboda
2775 Parede
Phone: (0035) 11 44 50 522
Fax: (0035) 11 44 51 071

Romania

Ecolab srl
3, Sos Nicolina Street
B1. 928, parter
Iasi-6600 Romania
Phone: (0040) 32 22 1859
(0040) 32 22 2597
(0040) 32 22 6459
(0040) 32 22 6451
Fax: (0040) 32 22 6448

Russia

Ecolab ZAO
Marksistskaya 3, Street 1
111024 Moscow
Phone: (007) 980 70 60
Fax: (007) 980 70 69

Slovakia

Ecolab Bratislava Spol. s.r.o.
Cajakova 18
811 05 Bratislava
Phone: (00421) 7 5446 391
Fax: (00421) 7 5446 388

Slovenia

Ecolab d.o.o. Maribor
Vajngerlova 4
Postfach 1007
SLO-2001 Maribor
Phone: (0038) 62 42 93 100
Fax: (0038) 62 42 93 152
54

Spain

Ecolab S.A.
Edificio Conata
Fructuós Gelabert, 2-4
08790 San Joan Despí Barcelona
Phone: (0034) 93 475 8900
Fax: (0034) 93 477 0075

Sweden

Ecolab AB
Fruängsplan 10
S-12907 Hägersten
Phone: (0046) 8 60 32 200
Fax: (0046) 8 60 32 288

Switzerland

Ecolab GmbH
Kägenstrasse 10
CH-4153 Reinach
Phone: (0041) 61 46 69 466
Fax: (0041) 61 46 69 444

Turkey

Ecolab Temizlerne
Sistemleri A.S.
Altayce.Mahal. Narli giftligi
Mevkii Engin Cikmazi No 6
81530 Maltepe
Phone: (0090) 216 360 72 33
Fax: (0090) 216 360 63 16

Ukraine – Kiev

Ecolab
Bulv. Lichachova, 1/27
01133 Kiev
Phone: (0038) 044 230 2369
(0038) 044 230 2372
Fax: (0038) 044 295 7125

United Kingdom

Ecolab UK Ltd.
David Murray John Building,
Swindon, Wiltshire SN1 1 ND

Phone: (0044) 1 793 54 87 80
Fax: (0044) 1 793 54 88 92

Garantie

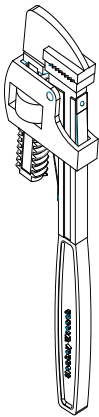

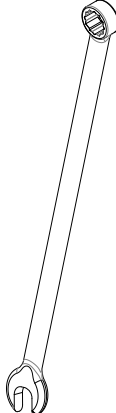

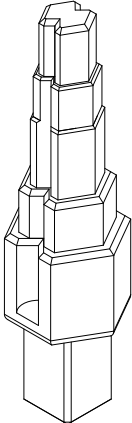
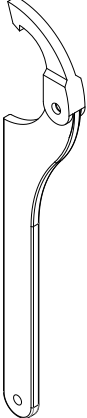


La présente garantie est accordée pour une durée de vingt-quatre (24) mois à partir de la date de livraison de l'équipement et pour une durée de douze (12) mois à compter de la date de mise en service des pièces de rechange et accessoires de l'équipement devenus impropres à l'usage en raison de vices de conception ou de fabrication. La garantie comportera le remboursement, le remplacement ou la réparation des pièces défectueuses ou endommagées dans nos installations. Les frais de transport et d'installation sont facturés. Toute pièce défectueuse doit être mise à notre disposition. Toute autre réclamation, quel qu'en soit le fondement juridique, ne sera pas prise en compte. La société déclinera toute responsabilité découlant de tout dommage causé indirectement. L'acheteur n'a pas le droit de confier la réparation de toute éventuelle pièce défectueuse à une tierce partie quelle qu'elle soit pour le compte de la société.

Aucun flexible, aucune pièce en caoutchouc ou aucun matériau synthétique, aucune usure naturelle, ni aucun dommage des suites de toute utilisation négligente ou manipulation inappropriée, y compris tout dommage dû au transport n'est couvert par la garantie. Par ailleurs, la garantie devient caduque si le poste de nettoyage a été exposé au gel. Toute modification ou réparation réalisée par une personne non autorisée quelle qu'elle soit annule toute obligation d'indemnisation au titre de la garantie. Toute réclamation aux termes de la garantie ne sera jugée recevable que si elle est déposée immédiatement après constatation d'une défectuosité. La présente garantie expire en cas de changement de propriétaire.

Ecolab ne peut être tenu responsable de tout préjudice corporel, dommage matériel, arrêt d'exploitation, y compris toute perte de production, de profits, de stocks ou autre, pouvant découler de toute livraison imparfaite ou de tout retard de livraison du produit acheté quelle qu'en soit la raison, y compris tout vice matériel et de fabrication. Veuillez également vous reporter à nos conditions générales de vente et de livraison.

10. Outils

Outils standards utiles/ nécessaires pour l'entretien et la maintenance de la gamme complète d'équipements.

	<p>Boosters BF/BW & MB Unité principale Unité principale Foamatic</p>		<p>Satellites Boosters BF/BW & MB Unité principale Unités satellites Foamatic Unité principale Foamatic</p>
	<p>Unités satellites Boosters BF/BW & MB Unité principale Unités satellites Foamatic Unité principale Foamatic</p>		<p>Unités satellites Boosters BF/BW & MB Unité principale Unités satellites Foamatic Unité principale Foamatic</p>
	<p>Boosters BF/BW & MB</p>		<p>Foamatic Satellites Unité principale Foamatic</p>
	<p>Unités satellites Boosters BF/BW & MB Unité principale Unités satellites Foamatic Unité principale Foamatic</p>		<p>Unités satellites Unité principale Unités satellites Foamatic Unité principale Foamatic</p>

11. Fin d'utilisation

11.1. Démontage

Fermez toutes les vannes d'alimentation et retirez l'appareil du mur/support.

11.2. Mise au rebut

Au cas où l'appareil doit être mis au rebut, il doit être séparé et trié, par exemple les pièces recyclables et non recyclables.

La structure en acier peut être facilement séparée et éliminée, ainsi elle ne constitue aucun danger pour l'environnement ni pour l'utilisateur.

La mise au rebut doit être effectuée conformément à la réglementation en vigueur pour l'élimination des machines ainsi qu'à toutes les normes concernant la protection de l'environnement.



ATTENTION

La mise au rebut des composants électroniques et autres solutions doit être traitée de façon particulière. Ils peuvent également être éliminés par une entreprise d'élimination spécialisée.

1. Índice

2.	Símbolos utilizados en el documento	59
3.	Información general	60
3.1.	Placa de identificación	61
3.2.	Proveedor	61
3.3.	Especificaciones	62
4.	Descripción general y uso	63
5.	Seguridad del sistema	63
5.1.	Válvula de cierre para el suministro de agua Accesorios	63
5.2.	Válvula de cierre para el suministro de aire	63
5.3.	Previsión de fallos	63
5.4.	Riesgo de pausa	64
6.	Instalación	64
6.1.	Ruido	64
6.2.	Instrucciones de montaje	64
6.3.	Transporte	64
6.4.	Vibraciones	64
6.5.	Conexión del agua	64
6.6.	Conexión del aire	65
6.6.1.	Suministro de detergente	65
6.7.	Conexión de tubo flexible	65
7.	Procedimientos operativos	66
7.1.	Arranque	66
7.1.1.	Puesta en marcha	66
7.1.2.	Parada	66
7.1.3.	Ajuste del detergente	66
7.1.4.	Ajuste del aire	66
7.2.	Mantenimiento, resolución de problemas y reparaciones Instrucciones de mantenimiento	67
8.	Funcionamiento	67
8.1.	Antes de la operación	67
8.2.	Puesta en marcha/parada (cambio, enjuague, desinfectante)	67
9.	Mantenimiento, resolución de problemas y reparaciones	68
9.1.	Mantenimiento preventivo	68
9.2.	Enjuague de la toma de suministro de productos químicos/sistema de inyección	68
9.3.	Desencalado	68
9.4.	Acoplamiento	68
9.5.	Limpieza interna de la unidad	68
9.6.	Resolución de problemas y remedio	69
9.7.	Dirección de servicio técnico y Garantía	70
10.	Herramientas	73
11.	Fin del uso	74
11.1.	Desmontado	74
11.2.	Desechado	74
12.	Piezas de recambio	75

2. Símbolos utilizados en el documento

	<p>Leer antes de utilizar</p>
	<p>Lleve gafas siempre que use la unidad.</p>
	<p>Use guantes y ropa adecuada cuando use la unidad.</p>
	<p>Nota: Situación potencialmente peligrosa. Posibles consecuencias: el producto o cualquier objeto que se encuentre cerca podría resultar dañado. Prevención.</p>
	<p>Precaución: Situación peligrosa. Posibles consecuencias: lesiones leves o menores. También puede usarse como advertencia por daños a la propiedad u otros bienes.</p>
	<p>Advertencia: Situación potencialmente peligrosa. Posibles consecuencias: fallecimiento o lesiones graves. Prevención.</p>
	<p>Peligro: Situación peligrosa. Posibles consecuencias: fallecimiento o lesiones graves. Prevención.</p>
	<p>Peligro: ¡ADVERTENCIA! Bordes afilados. Cuidado con los dedos.</p>

3. Información general

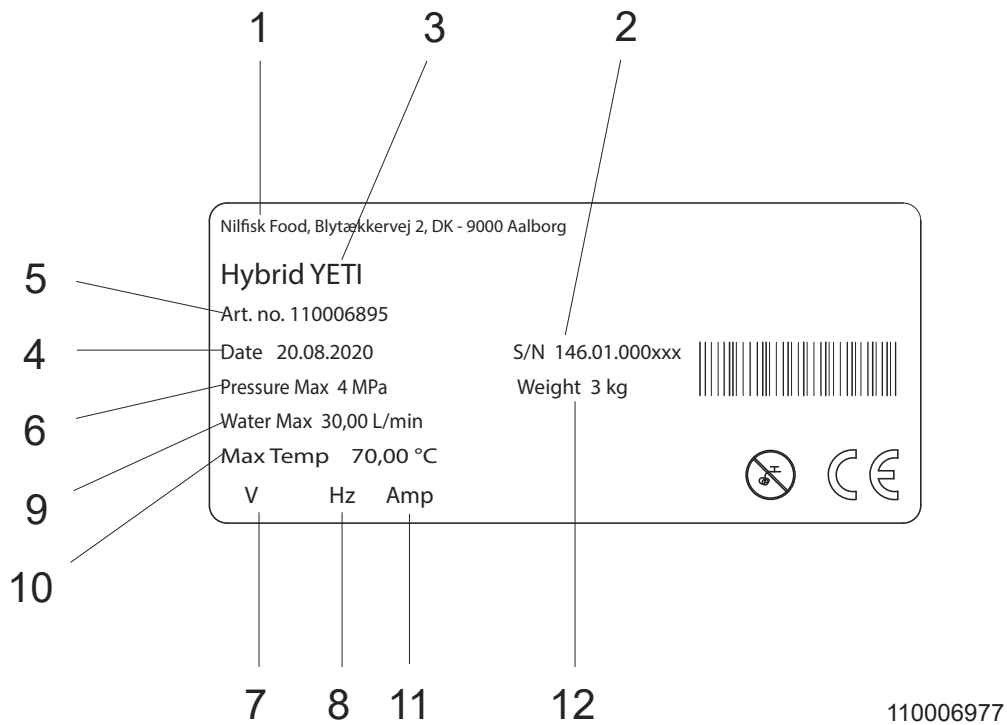
Nilfisk FOOD le felicita por la adquisición de su Nuevo equipo de limpieza desinfectante y espuma a baja presión.

El equipo incluye el mejor estándar de tecnología de equipos de limpieza a baja presión de nuestra fábrica.

El equipo puede utilizarse para el enjuagar, enjabonar y aplicar desinfectantes.

Es importante que su personal operativo lea estas instrucciones de uso antes de instalar, arrancar y utilizar el equipo.

3.1. Placa de identificación



1. Productor
2. N. de serie
3. Tipo
4. Fecha de fabricación
5. N. de artículo
6. Presión máxima
7. Tensión de suministro
8. Frecuencia
9. Consumo máximo de agua
10. Temperatura máxima
11. Corriente
12. Peso

3.2. Proveedor

Nilfisk FOOD
Blytækkervej 2,
DK-9000 Aalborg, Dinamarca
Tel.: +45 7218 2000
CVR no. 6257 2213
www.nilfiskfood.com

3.3. Especificaciones

Datos técnicos				
	Unidades	TW	HP	PD
Wasser				
Tipo de conexión de entrada/salida	Pulgadas	1/2"		
Dimensión recomendada de la tubería de entrada (mín.)	Pulgadas	3/4"		
Presión de salida máxima.	bar	40	80	25
Consumo durante el enjabonado	l/min	6	7	6
Mínima presión de alimentación.	bar	3	30	6
Máxima presión de alimentación.	bar	7	80	25
Presión de suministro mínima.	l/min	10	10	10
Temperatura máxima.	°C	70°C	70°C	70°C
Luft				
Tipo de conexión de entrada	mm	Ø6 insertable "push-in"		
Mín. presión de suministro de aire	bar/MPa	6/0.6		
Máx. presión de suministro de aire	bar/MPa	9/0.9		
Caudal requerido	NI/min	75		
Düsen (empfohlen)				
Boquilla de enjuague		25/30		
Boquilla de espumado		50/150		
Boquilla de pulverización		40/30		
Allgemein				
Número de productos		1		
Máx. longitud de la manguera (recomendado)	metros	25		
Dimensiones A x An. x P	mm	258 x 203 x 107		
Peso	kg	3,2		

4. Descripción general y uso

La unidad Hybrid YETI es una estación de limpieza completa que se conecta a una unidad propulsora o estación principal. La unidad requiere un suministro suficiente de agua, aire comprimido, detergente o desinfectante.

Consumo:

La unidad está aprobada para el uso de detergentes y desinfectantes.



Advertencia: No cambie los ajustes efectuados o recomendados por el proveedor de los detergentes.

Los detergentes se suministran mediante un sistema de paquete de usuario o en envases estándar independientes. El suministro también es posible a través de sistemas de tuberías.

Antes de la instalación y de la configuración de la unidad, se deben leer estas instrucciones por completo. Asegúrese siempre de seguir los procedimientos de seguridad personal para los productos químicos relacionados con los procedimientos de rellenado (cambio de producto), mantenimiento y reparaciones. Véase también la etiqueta del producto y la ficha MSDS.

Instrucciones de seguridad

Solo el personal de servicio técnico profesional está autorizado para efectuar los trabajos de mantenimiento y reparaciones de la unidad.

Solo el personal instruido está autorizado para hacer funcionar la máquina.

5. Seguridad del sistema

En caso de error/fallo o acción de servicio técnico en el equipo:

1. Cierre el suministro de agua.
2. Cierre el suministro de agua.

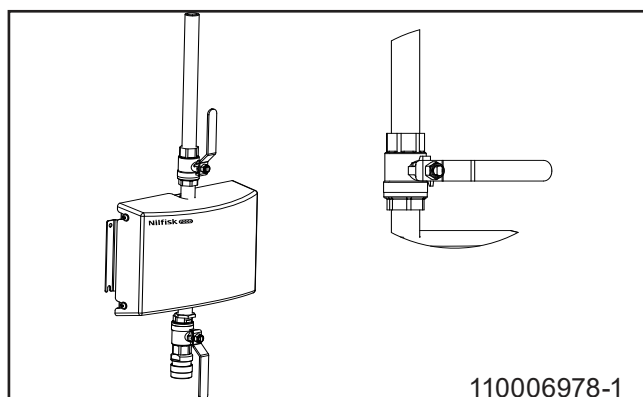


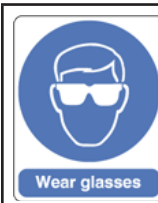
Fig 1

5.1. Válvula de cierre para el suministro de agua Accesorios

Con esta válvula, la unidad se puede aislar del suministro de agua. Asimismo, en el bloque hay instalada una válvula de retención para evitar el reflujo del agua.

5.2. Válvula de cierre para el suministro de aire

Se recomienda el montaje de una válvula de cierre con dos válvulas de retención de aire en la entrada de aire. Esto permite desconectar el suministro de aire y evita el reflujo de aire.



Lleve gafas siempre que use la unidad.



Use guantes y ropa adecuada cuando use la unidad.

5.3. Previsión de fallos

Conducto de aire de la unidad reventado:

- Nunca se debe utilizar la unidad con la tapa frontal colocada.
- La válvula de cierre del aire de la unidad o conectada a ella debe cerrarse siempre cuando no se utilice.
- El conducto y la regulación del aire deben examinarse periódicamente y cambiarse en caso de daños visibles.

Avería de las válvulas de retención del aire y del agua:

- Nunca se debe utilizar la unidad con la tapa frontal colocada.
- La válvula de cierre del aire y del agua de la unidad o conectada a ella debe cerrarse siempre cuando no se utilice.
- Después de la utilización de la unidad, se deben enjuagar muy bien con agua limpia las válvulas de retención de productos químicos. Siga las instrucciones del párrafo 9.2.
- Las válvulas de retención del aire y del agua se deben someter a comprobaciones de defectos como mínimo una vez al año por personal autorizado.

Reparación de la unidad:

- No intente reparar una unidad defectuosa usted mismo. Póngase en contacto con una empresa de servicio técnico autorizada.
- Bloquee y marque todo defecto para evitar su uso accidental; véase el párrafo siguiente "Riesgo de pausa - Uso de la unidad".
- Por motivos de seguridad, utilice únicamente piezas de recambio autorizadas y originales.

5.4. Riesgo de pausa

Uso de la unidad:

- Nunca use la unidad sin haber leído previamente sus instrucciones de uso y de seguridad. Las instrucciones deben ser elaboradas por personal formado/cualificado.
- Nunca utilice la unidad sin haber leído primero la guía e instrucciones de seguridad adjuntas.
- Cierre siempre el suministro del agua y del aire después de su uso.

Unidad dañada:

- Nunca utilice la unidad si se observan fugas (de aire, agua o productos químicos).
- Nunca use la unidad si no se pueden poner en marcha las válvulas de cierre o si no es posible seleccionar la función necesaria.
- Nunca use la unidad si se ha desalojado de su lugar de instalación original.

6. Instalación

Por motivos de seguridad, es importante que lea la información incluida antes de instalar el equipo. Además, la legislación vigente en el momento de la compra también debe tenerse en cuenta en relación con la instalación y montaje de este equipo, con independencia del contenido de este manual. En caso de conflictos, póngase en contacto con su distribuidor.

6.1. Ruido

El nivel de sonido debe respetar la normativa ISO 11202; por debajo de 70 dB.

6.2. Instrucciones de montaje



- La unidad debe colocarse solo en espacios que nunca alcancen temperaturas bajo cero.
- La unidad puede montarse en una pared o marco independiente que se puede instalar en áreas de producción, así como anclarse al suelo.
- Para el montaje en las paredes, debe tenerse en cuenta lo siguiente:
- La pared de montaje debe estar hecha de ladrillo estable o de hormigón.



- El soporte suministrado debe asegurarse a la pared mediante los tornillos incluidos y las correspondientes espigas.
- El soporte de pared debe montarse en la pared según la descripción anterior y la estación queda colgada en el soporte. Los soportes del tubo flexible y del paquete para el usuario deben montarse posteriormente (Consulte el dibujo de la instalación/el montaje).

6.3. Transporte

Para un transporte seguro de la unidad, recomendamos asegurarse siempre de que la unidad no pueda deslizarse ni inclinarse. La unidad debe asegurarse mediante correas.

Transporte de la unidad solo en posición horizontal.

La unidad no debe colocarse sobre la parte delantera, donde se encuentra el panel de operación. Tampoco se puede colocar sobre la parte superior ni inferior donde se encuentran las conexiones y salidas.

En caso de trasladarse a temperaturas de aproximadamente 0° C (32° F) o inferiores, debe asegurarse de haber vaciado por completo el agua de la unidad. En caso contrario, puede dañarse la unidad.

6.4. Vibraciones

Las vibraciones mano-brazo deben respetar la normativa ISO 5349-1.

6.5. Conexión del agua



- Antes de conectar la unidad al tubo flexible de suministro de agua, la línea de suministro debe enjuagarse muy bien para eliminar las impurezas de suciedad y virutas de metal.
- La conexión del agua debe realizarse en la parte superior de la unidad (véase el dibujo de la distribución).
- El diámetro interno mínimo del conducto del suministro debe ser al menos de media 1/2" en el exterior (16 mm en el interior).
- La unidad debe estar equipada con una válvula de cierre para el agua en la toma (véase el dibujo de la distribución).
- La pérdida de presión en la línea de suministro debe reducirse todo lo posible
 - evitando conductos de suministro largos
 - instalando resistencias de baja presión
- válvulas de bola y
 - evitando accesorios con gran pérdida de presión.
- Al instalar las tuberías, preste atención para evitar bloqueos del aire.



- Todas las conexiones de la unidad deben ser conexiones atornilladas que aseguren un mantenimiento y desmantelado de la estación sencillos.

Temp. máxima permitida para el suministro de agua.

Presión máxima permitida para el suministro de agua.

Consumo de agua en el modo de enjuague.
(ver 3.3. Datos técnicos)



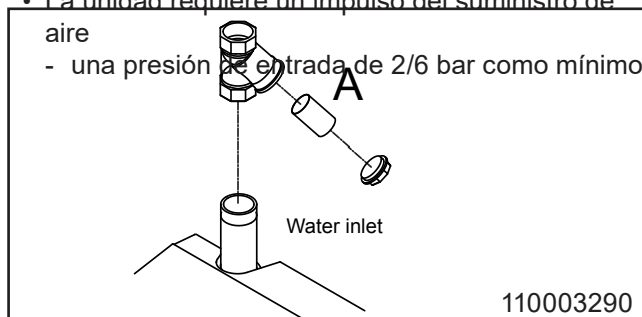
Para un funcionamiento óptimo del sistema de inyección, recomendamos instalar un filtro en la entrada para evitar impurezas.

6.6. Conexión del aire



Antes de conectar la unidad al suministro de aire, el sistema de tuberías debe aclararse cuidadosamente para evitar impurezas de suciedad.

- La unidad requiere un impulso del suministro de aire
- una presión de entrada de 2/6 bar como mínimo



- una capacidad mínima de 200 l/min.

6.6.1. Suministro de detergente

Estación satélite sin sistema de paquete de usuario.

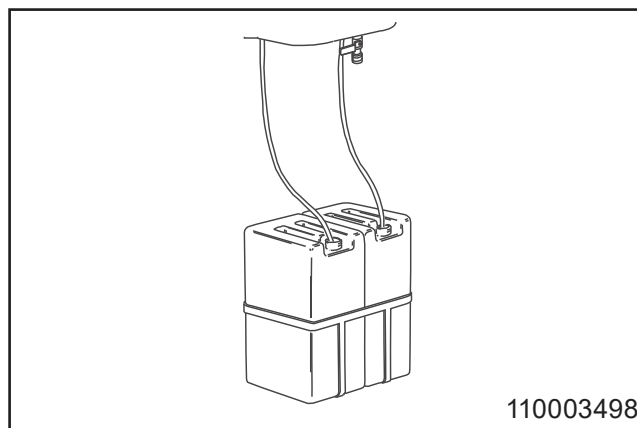
Véase el dibujo núm. 110003498.

- Coloque el envase con detergente en el soporte para el envase.
- Compruebe que no haya impurezas en el filtro de succión.
- Coloque el tubo flexible de succión en el envase por debajo del nivel de producto y evite la succión de aire.
- Después de un pre-enjuague, vuelva a comprobar que el tubo flexible se encuentre lo suficientemente por debajo del nivel de producto y evite la succión de aire durante la operación de enjabonado o pulverización.
- Después del uso y cuando se cambie de producto, así como después de utilizar la unidad, quite el tubo flexible del envase y enjuague la línea de entrada de producto y el sistema de inyección con agua limpia.

Estación satélite con sistema de paquete de usuario.

Véase el dibujo núm. 110003485.

- Coloque el paquete de usuario específicamente

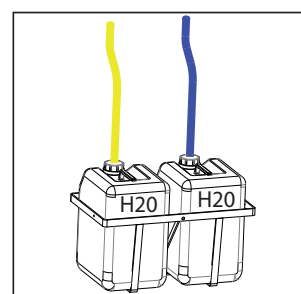
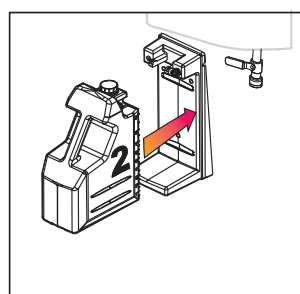
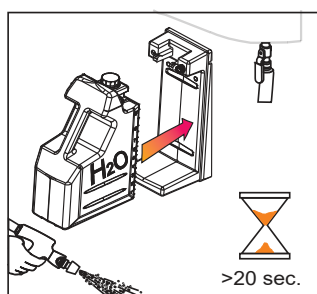
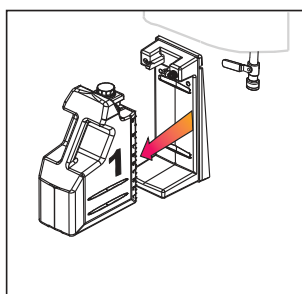


diseñado en el soporte automático.

- Si se cambia a un producto diferente al terminar el proceso de limpieza, enjuague la línea de entrada del producto con agua limpia de la siguiente forma:
- Sustituya el paquete de usuario que contenga el producto por uno con agua limpia, coloque la boquilla para espuma y abra la válvula de salida/pistola pulverizadora. La línea de entrada del producto se enjuagará con agua limpia antes de utilizar otro producto.

6.7. Conexión de tubo flexible

- El tubo flexible especial con válvula de salida/pistola de pulverización está conectado a la salida mediante un rápido acoplamiento de la unidad (dibujo de la distribución núm.).
- Longitud máxima del tubo flexible: 30 m.
- Solo se recomienda el uso de mangueras Nilfisk FOOD, cuya resistencia haya sido probada.



110003485

7. Procedimientos operativos

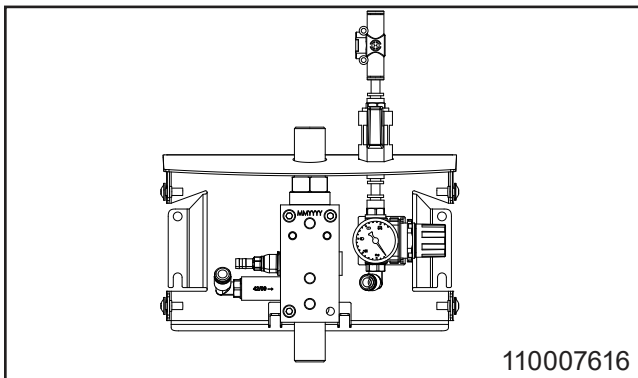
7.1. Arranque

7.1.1. Puesta en marcha

1. Asegúrese de que el suministro de aire y agua a la unidad esté abierto. Para el aire, véase el dibujo de la distribución. En caso de suministro central de productos químicos, este también debe estar activado.
2. Seleccione la función deseada. Utilice la unidad según la "Guía de usuario".

7.1.2. Parada

1. Cierre el suministro del agua (dibujo de la distribución).
2. Cierre el suministro del aire (dibujo de la distribución).
3. Desactive el suministro de productos químicos, tirando del tubo flexible de succión o quitando el paquete de usuario.



Debido a lo siguiente, es muy importante cerrar el suministro de agua, aire y productos químicos cuando la unidad no esté en uso.

- Si el suministro de aire está abierto cuando la unidad no esté en uso, el aire puede pasar a la tubería del agua, lo que significa que el sistema tiene que purgarse de nuevo.

7.1.3. Ajuste del detergente

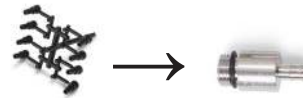
Retire la cubierta de la unidad.

El ajuste del detergente se puede hacer por medio de una boquilla de límite o mediante una válvula de dosificación (dibujo de la distribución).

La boquilla de límite se encuentra en la toma de succión de la válvula de retención (110007616) y se puede sustituir por una boquilla más grande o más pequeña, en función de la concentración necesaria. Consulte la tabla para conocer las instrucciones.



Todas las pruebas se han efectuado con Topax 12



Tamaño de la boquilla en mm	Concentración por cada 20 Bar en %
0,4	0,75
0,5	1,15
0,6	1,65
0,7	2,20
0,8	2,90
0,9	3,60
1,0	4,40
1,1	5,3
1,5	9,4



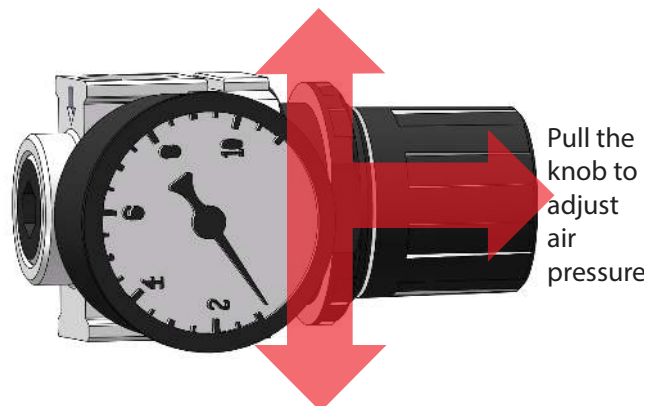
Tamaño de la boquilla en mm	Concentración por cada 20 Bar/290 PSI
Claro	0,36 %
Rosado	0,51 %
Azul claro	0,64 %
Violeta	0,70 %
Turquios	1,43 %
Amarillo	1,95 %
Marrón	20,01 %
Naranja	2,18 %
Verde	2,62 %
Broncearse	3,94 %
Azul	4,88 %
Blanco	6,02 %
Rojo	6,87 %
Beige	7,36 %
negro	7,86 %
gris	7,96 %

7.1.4. Ajuste del aire

Retire la cubierta de la unidad.

Ajuste la presión de aire en la válvula de retención hasta alcanzar la calidad de espuma adecuada.

Turn clockwise to decrease air pressure



Turn counter clockwise to increase air pressure

7.2. Mantenimiento, resolución de problemas y reparaciones Instrucciones de mantenimiento

1. Acoplamiento rápido: se recomienda lubricar todas las partes de acoplamiento de forma regular, aproximadamente una vez al mes, con lubricante impermeable para evitar fugas y daños de las juntas tóricas. Si los acoplamiento rápido presentan fugas, se deben sustituir las juntas tóricas.
2. En función del uso, el mantenimiento debe ser efectuado por un ingeniero de servicio técnico autorizado una vez al año como mínimo, para evitar defectos y fallos de la operación.
3. Los ingenieros autorizados son personas que, debido a su cualificación y experiencia, tienen un conocimiento suficiente de los sistemas de higiene y conocen las principales normativas de seguridad, reglamentos de prevención de accidentes y líneas y, generalmente están al tanto de reglamentos técnicos como las normas DIN y estipulaciones VDE. Por su seguridad, esta unidad de limpieza ha sido fabricada según todas las normativas relevantes válidas en la UE y, por tanto, se suministra con el sello de la CE. Para obtener más información, consulte al departamento de servicio técnico.
4. Una vez completado el proceso de limpieza o cuando se hayan cambiado los productos químicos, es importante enjuagar los sistemas de succión y eyector de la siguiente forma:
5. Sustituya el envase por otro que contenga agua limpia.
6. Coloque el tubo flexible de succión en el envase con agua.
 - Conecte la boquilla para espuma.
 - Abra la válvula de salida/pistola pulverizadora y manténgala abierta hasta que el sistema de inyección esté enjuagado (30 segundos aproximadamente).
 - Quite el tubo flexible de succión del envase con agua.
7. Se recomienda desincrustar la unidad según las indicaciones del párrafo 9.3.
8. Se recomienda limpiar la superficie del interior de la unidad una vez al mes como mínimo para mantener las piezas y evitar su corrosión.

8. Funcionamiento

8.1. Antes de la operación

Si la pared donde se va a colocar la unidad está fabricada con ladrillo o cemento, se podrán utilizar los tornillos y tacos que se suministran con el producto. De lo contrario, deberá asegurarse de que la pared tiene suficiente capacidad de carga.



Debe aclarar la tubería antes de conectar el sistema.



Retire la cubierta antes de montar el sistema en la pared.

8.2. Puesta en marcha/parada (cambio, enjuague, desinfectante)

Puesta en marcha de la estación satélite

1. Compruebe que los suministros de agua y aire del sistema estén abiertos.
2. Asegúrese de que el suministro de aire y agua a la unidad esté abierto. Para el aire, véase el dibujo de la distribución. En caso de suministro central de productos químicos, este también debe estar activado.
3. Seleccione la función deseada. Utilice la unidad según la "Guía de usuario".

Parada de la estación satélite

1. Cierre el suministro de agua.
2. Cierre el suministro de aire.



Es importante cerrar el suministro de agua y el de aire al terminar de utilizar la unidad.

- Si el suministro de aire está abierto cuando la unidad no se está utilizando, podría entrar aire en la tubería del agua. Si éste es el caso, habrá que volver a purgar el sistema.

Puede que sea necesario purgar las tuberías y la unidad si esta última ha estado cerrada durante un período de tiempo prolongado (por ejemplo, en vacaciones, etc.).



PRECAUCIÓN

La toma de suministro de productos químicos deberá enjuagarse siempre después de su uso.

1. Siga este procedimiento para limpiar la toma de posibles restos de detergente o desinfectante.
2. Quite el paquete de usuario o envase estándar.
3. Sujete la botella de enjuague (previamente llena de agua limpia) junto a la abertura de succión (con paquete de usuario). Como método alternativo, puede colocar un paquete de usuario con agua limpia en el soporte o, sin paquete de usuario, introducir el tubo flexible en un cubo de agua limpia.
4. Active el mango del tubo flexible hasta observar que sale agua limpia por la boquilla (unos 30 segundos aproximadamente).

9. Mantenimiento, resolución de problemas y reparaciones

9.1. Mantenimiento preventivo

En función del uso, el mantenimiento debe ser efectuado por un ingeniero de servicio técnico autorizado una vez al año como mínimo, para evitar defectos y fallos de la operación. Los ingenieros autorizados son personas que, debido a su cualificación y experiencia, tienen un conocimiento suficiente de los sistemas de higiene P3 Topax y conocen las principales normativas de seguridad, reglamentos de prevención de accidentes y líneas y, generalmente están al tanto de reglamentos técnicos como las normas DIN y estipulaciones VDE. Por su seguridad, esta unidad de limpieza ha sido fabricada según todas las normativas relevantes válidas en la UE y, por tanto, se suministra con el sello de la CE. Para obtener más información, consulte al departamento de servicio técnico.

9.2. Enjuague de la toma de suministro de productos químicos/sistema de inyección



La toma de suministro de productos químicos deberá enjuagarse siempre después de su uso.

Los restos de detergentes o desinfectantes pueden taponar el sistema de inyección, haciendo necesario su enjuague, o incluso su sustitución.

Siga este procedimiento para limpiar la toma de posibles restos de detergente o desinfectante.

1. Retire los paquetes de usuario, si los hay.
2. Sujete la botella de enjuague (previamente llena de agua limpia) junto a la abertura de succión (con paquete de usuario) o junto al tubo flexible (sin paquete de usuario). Como método alternativo, puede colocar un paquete de usuario con agua limpia en el soporte o, sin paquete de usuario, introducir el tubo flexible en un cubo de agua limpia.
3. Active el mango del tubo flexible hasta observar que sale agua limpia por la boquilla (unos 30 segundos aproximadamente).



Este procedimiento deberá seguirse tanto en el extremo del detergente como del desinfectante (en caso de haberse instalado).

9.3. Desencalado

- El intervalo de procedimientos de desencaladura depende de la dureza del agua usada.

- Asegúrese de que el suministro de agua a la unidad está desconectado.
- Retire la cubierta de la unidad.
- Desmonte el bloque del sistema de inyección. Desmonte la válvula de aire y la válvula de retención del aire, incluidos las regulaciones de aire.
- Coloque el bloque del sistema de inyección en un baño de desencalado y asegúrese de que la válvula de dosificación (botón) quede sobre la superficie.
- Espere 60 minutos.
- Enjuague el bloque con agua limpia.
- Monte la válvula de aire y la válvula de retención en el bloque del sistema de inyección y coloque el bloque en la unidad.
- Conecte el agua a la unidad.
- Pruebe la unidad en posición Foam (Espuma). Asegúrese de que hay suficiente vacío, se recomienda que esté entre 14,8 - 20,7 inHg / -0,05 - 0,07 MPa.
- Compruebe que la unidad se enciende y apaga en posición Foam (Espuma) y Rinse (Aclarado).
- Vuelva a poner la tapa a la unidad.

Debe cumplir con los siguientes intervalos de desencaladura para prevenir una acumulación de cal en la unidad que podría hacer que dejara de funcionar.

°dH	ppm	Tiempo entre desencaladuras
0-5	18-90	12 meses
5-10	90-180	6 a 12 meses
10-15	180-270	3 a 6 meses
15-20	270-360	3 a 6 meses
>20	>360	1 a 3 meses

9.4. Acoplamiento

Se recomienda lubricar todas las partes de acoplamiento de forma regular (una vez a la semana, aproximadamente) con lubricante impermeable para evitar fugas y daños de las juntas tóricas. Si la unidad está equipada con una pistola pulverizadora, también se debe lubricar el pistón de la pistola.

Deben sustituirse los acoplamientos rápidos que presenten fugas.

9.5. Limpieza interna de la unidad

Recomendamos abrir y limpiar la unidad por dentro una vez a la semana como mínimo.

9.6. Resolución de problemas y remedio

Síntomas	Causas posibles	Remedio
Ausencia de presión/presión demasiado baja.	Suministro de agua insuficiente o inexistente. ¿Está obstruido el filtro, si lo hubiera? Boquilla de enjuague no instalada.	Abra la válvula de suministro de agua (Consulte 5.1 – Válvula de cierre). Limpie el filtro. Coloque la boquilla de enjuague.
Creación de espuma insuficiente o inexistente.	Ausencia de productos diluidos. Producto no apto. Suministro de aire insuficiente o inexistente. Presión demasiado alta en la cámara de mezclado. Fallo en la válvula de retención del aire. Boquilla incorrecta. Válvula de retención bloqueada Inyector/cámara de mezclado bloqueados.	Consulte las instrucciones de uso de la unidad dosificadora. Seleccione un producto adecuado. Proporcione un suministro de aire suficiente. Ajuste el valor de la presión. Sustituya la válvula de retención del aire. Coloque una boquilla 50/150. Limpie o sustituya la válvula de retención. Limpie la boquilla.
Ausencia de desinfección en spray.	Ausencia de productos diluidos. Válvula de retención bloqueada. Inyector/cámara de mezclado bloqueados.	Consulte las instrucciones de uso de la unidad dosificadora. Limpie o sustituya la válvula de retención. Limpie la boquilla de la cámara de mezclador

En caso de errores/problemas no mencionados anteriormente, póngase en contacto con su técnico de Ecolab para obtener más ayuda.

9.7. Dirección de servicio técnico y Garantía**Austria**

Ecolab GmbH
 Erdbergstr, 29
 A-1031 Wien 3
 Phone: (0043) 171 52 55 02 814
 Fax: (0043) 171 52 55 02 804

Belgium

Ecolab N.V.
 Doornveld Industrie Asse Z3 nr 11, Gebouw 9
 B-1731 Zellik-Asse
 Phone: (0032) 24 67 51 11
 Fax: (0032) 24 67 51 00

Bulgaria

Ecolab Bulgaria FOOD
 Prof. Dr. G. Pavlov Str. 35
 BG-1111 Sofia
 Phone: (00359) 2 971 22 35
 (00359) 2 971 36 97
 Fax: (00359) 2 971 26 50

Croatia

Ecolab Zagreb d.o.o.
 Zavrtnica 17
 HR-10 000 Zagreb
 Phone: (00385) 1 63 21 600
 Fax: (00385) 1 63 21 633

Czech Republic

Ecolab spol. s r.o
 Jakubské náměstí 1
 CZ-656 86 Brno
 Phone: (00420) 54 22 10 823
 Fax: (00420) 54 22 11 227

Denmark

Ecolab A/S
 Carl-Jacobsensvej 29-37
 DK-2500 Copenhagen - Valby
 Phone: (0045) 36 15 85 50
 Fax: (0045) 36 15 85 99

Finland

Ecolab Ab
 Mäkelänkatu 54 A
 FIN-00510 Helsinki
 Phone: (00358) 9 39 65 51
 Fax: (00358) 9 39 65 53 05

France

Ecolab France
 8, rue Rouget de Lisle
 F-92130 Issy-les-Moulineaux Cedex
 Phone: (0033) 140 93 93 39
 Fax: (0033) 140 93 93 78

Germany

Ecolab GmbH & Co. OHG
 Postfach 13 04 06
 Reisholzer Werfstr. 38-42
 D-40554 Düsseldorf
 Phone: (0049) 211 98 93 551
 Fax: (0049) 211 98 93 386

Greece

Ecolab A.E
 15, Flemingstr.
 GR-15123 Maroussi, Athens
 Phone: (0030) 16 873 700
 Fax: (0030) 16 813 527

Hungary

Ecolab Kft.
 David Ferenc. u. 6
 H-1519 Budapest, Pf. 429
 Phone: (0036) 1 372 55 76
 (0036) 1 372 55 73
 Fax: (0036) 1 209 15 44
 (0036) 1 372 55 46

Ireland

Ecolab Ltd.
 Beechwood Close
 Boghall Rd, Bray, Co. Wicklow
 Phone: (0035) 31 28 68 225
 Fax: (0035) 31 28 69 298

Italy

Ecolab S.p.A.
 Centro Direzionale Colleoni
 Via Paracelso 6
 Palazzo Liocorno
 20041 Agrate Brianza Milano
 Phone: (0039) 039 60 50 594
 Fax: (0039) 039 60 50 573

Netherlands

Ecolab
 lipenhoeve 7
 NL-3438 MR Nieuwegein
 Phone: (0031) 30 60 82 222
 Fax: (0031) 30 60 82 228

Norway

Ecolab a.s
Stålverksvägen 1,
Postboks 6440 - Etterstad
N-0605 Oslo
Phone: (0047) 22 68 18 00
Fax: (0047) 36 15 85 99

Poland

Ecolab sp.z o.o.
Ul. Kalwaryjska 69
PL-30504 Krakow
Phone: (0048) 12 261 61 09
Fax: (0048) 12 262 61 01

Portugal

Henkel Higiene Lda.
Estrada Outeiro de Polima
Monte Trigo
Lote C2-Aboboda
2775 Parede
Phone: (0035) 11 44 50 522
Fax: (0035) 11 44 51 071

Romania

Ecolab srl
3, Sos Nicolina Street
B1. 928, parter
Iasi-6600 Romania
Phone: (0040) 32 22 1859
(0040) 32 22 2597
(0040) 32 22 6459
(0040) 32 22 6451
Fax: (0040) 32 22 6448

Russia

Ecolab ZAO
Marksistskaya 3, Street 1
111024 Moscow
Phone: (007) 980 70 60
Fax: (007) 980 70 69

Slovakia

Ecolab Bratislava Spol. s.r.o.
Cajakova 18
811 05 Bratislava
Phone: (00421) 7 5446 391
Fax: (00421) 7 5446 388

Slovenia

Ecolab d.o.o. Maribor
Vajngerlova 4
Postfach 1007
SLO-2001 Maribor
Phone: (0038) 62 42 93 100
Fax: (0038) 62 42 93 152

Spain

Ecolab S.A.
Edificio Conata
Fructuós Gelabert, 2-4
08790 San Joan Despí Barcelona
Phone: (0034) 93 475 8900
Fax: (0034) 93 477 0075

Sweden

Ecolab AB
Fruängsplan 10
S-12907 Hägersten
Phone: (0046) 8 60 32 200
Fax: (0046) 8 60 32 288

Switzerland

Ecolab GmbH
Kägenstrasse 10
CH-4153 Reinach
Phone: (0041) 61 46 69 466
Fax: (0041) 61 46 69 444

Turkey

Ecolab Temizlerne
Sistemleri A.S.
Altayce.Mahal. Narli giftligi
Mevkii Engin Cikmazi No 6
81530 Maltepe
Phone: (0090) 216 360 72 33
Fax: (0090) 216 360 63 16

Ukraine – Kiev

Ecolab
Bulv. Lichachova, 1/27
01133 Kiev
Phone: (0038) 044 230 2369
(0038) 044 230 2372
Fax: (0038) 044 295 7125

United Kingdom

Ecolab UK Ltd.
David Murray John Building,
Swindon, Wiltshire SN1 1 ND
Phone: (0044) 1 793 54 87 80
Fax: (0044) 1 793 54 88 92

Garantía

La garantía cubre un periodo de 24 meses desde la entrega del equipo y 12 meses desde la puesta en funcionamiento de los repuestos y accesorios del equipo que resulten inadecuados debido a defectos de diseño o fabricación. La garantía consiste en el reembolso, sustitución o reparación de la pieza dañada o defectuosa por nuestra parte.

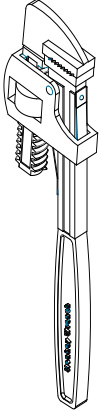

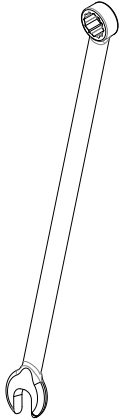

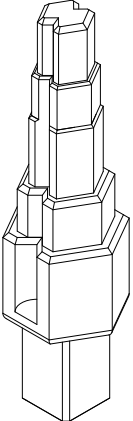
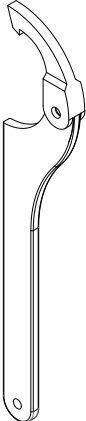


Se cobran la instalación y los costes de transporte. Las piezas defectuosas serán sustituidas por nuestra cuenta. No se admitirá ninguna demanda por motivos legales. La empresa no aceptará responsabilidad alguna por los daños producidos de manera indirecta. El comprador no tiene derecho a que un tercero repare los posibles defectos a nuestra cuenta.

La garantía no cubre las mangueras, las piezas de goma ni los materiales sintéticos, el desgaste natural ni los daños provocados por un tratamiento inadecuado y despreocupado, incluidos los daños de transporte.

Además, la garantía no se aplica si la estación de limpieza ha sufrido heladas. La obligación de compensación de la garantía de las lesiones personales, daños en el equipo, déficits de trabajo, incluida la pérdida de producción, la pérdida de beneficios, la pérdida de stock o similares que puedan producirse por una entrega retrasada o imperfecta del producto vendido, independientemente del motivo, incluidos defectos materiales y de fabricación. Consulte nuestras condiciones estándar de venta y entrega.

10. Herramientas

Herramientas estándar que son útiles/necesarias para realizar el servicio técnico y el mantenimiento en la gama completa de equipos.

	<p>Propulsores BF/BW & MB r Estación principal Estación principal Foamatic</p>		<p>Estaciones satélite Propulsores BF/BW & MB Estación principal Estaciones satélite Foamatic Estación principal Foamatic</p>
	<p>Estaciones satélite Propulsores BF/BW & MB Estación principal Estaciones satélite Foamatic Estación principal Foamatic</p>		<p>Estaciones satélite Propulsores BF/BW & MB Estación principal Estaciones satélite Foamatic Estación principal Foamatic</p>
	<p>Propulsores BF/BW & MB</p>		<p>Estaciones satélite Foamatic Estación principal Foamatic</p>
	<p>Estaciones satélite Propulsores BF/BW & MB Estación principal Estaciones satélite Foamatic Estación principal Foamatic</p>		<p>Estaciones satélite Estación principal Estaciones satélite Foamatic Estación principal Foamatic</p>

11. Fin del uso

11.1. Desmontado

Cierre todas las válvulas de suministro y retire la unidad de la pared o el soporte.

11.2. Desechado

En caso de tener que desechar la unidad, debe separarse y clasificarse en piezas reciclables y no reciclables. La estructura de acero se puede separar y desechar fácilmente y no constituye ningún peligro para el medio ambiente ni para el usuario.

El desechado se debe realizar según las normas y reglamentos de desechado de máquinas vigentes, así como todos los estándares relacionados con la protección del medio ambiente.

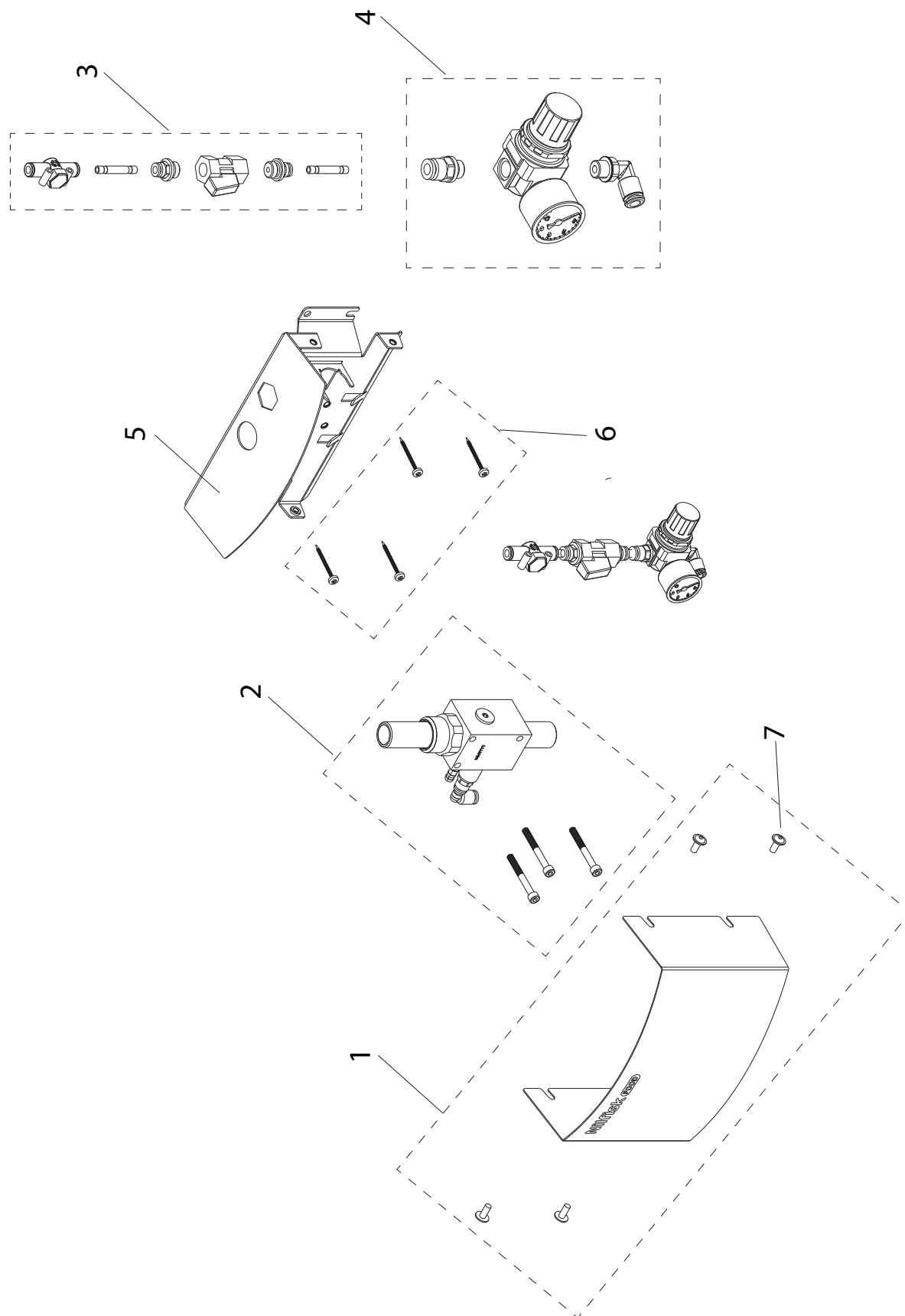


PRECAUCIÓN

El desechado de componentes electrónicos y otros remedios debe ser manejado de forma especial. Asimismo, se puede llevar a una empresa especialista en desechos.

Spare part List
Ersatzteile
Pièces de rechange
Piezas de requesto

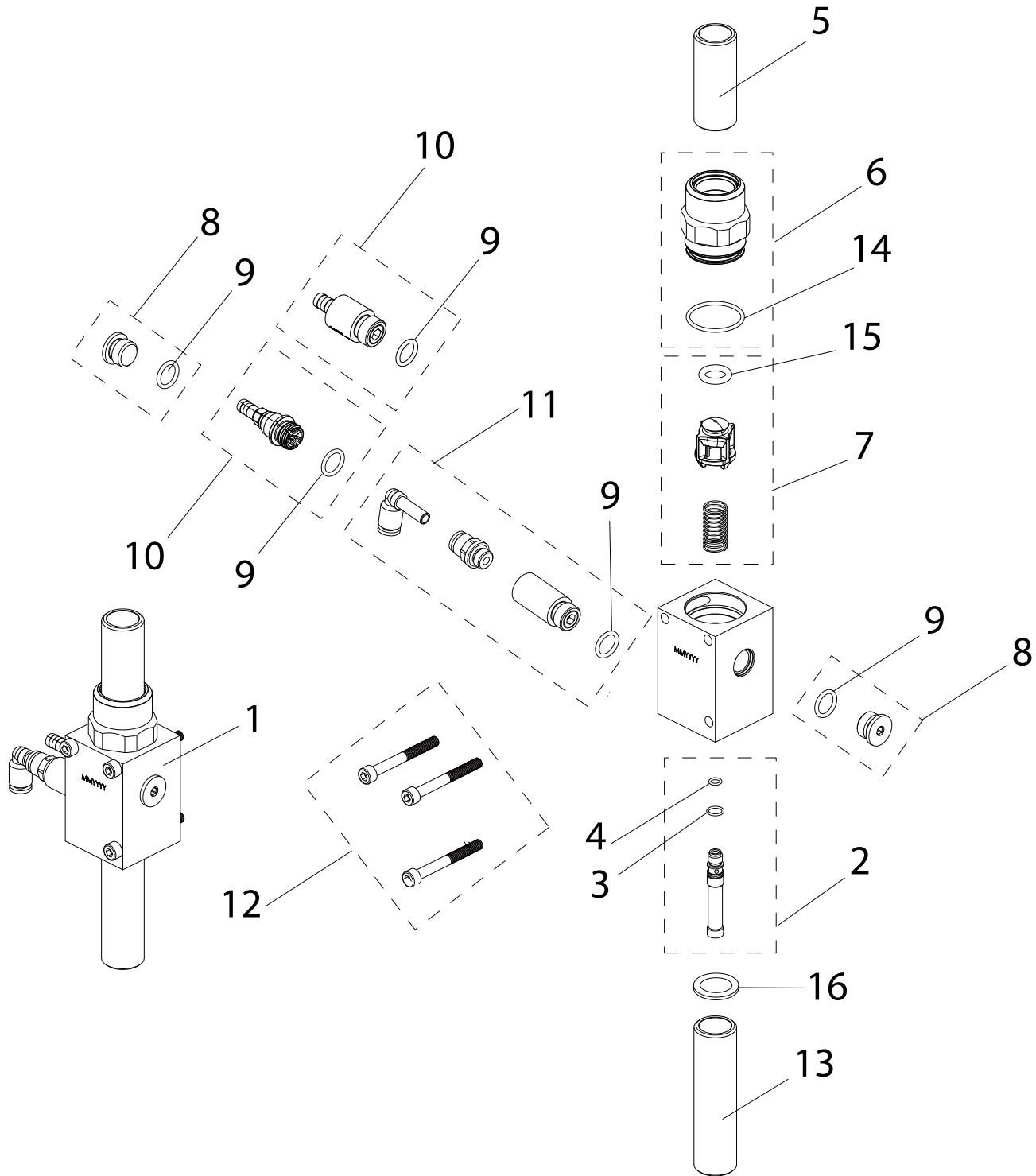
HYBRID YETI TW, HP, PD



110007614B

Pos./Ref. Nr. No.	Description Beschreibung Désignation Designación				
		TW	HP	PD	
1	110007116	Cover complete	1	1	1
2		See page 78, block complete			
3	110007099	Air complete	1	1	1
4	110007100	Air regulator, complete	1	1	1
5	110008603	Back plate	1	1	1
6	0607929	Screw kit			
7	110007097 (110000847)	Screw kit			

HYBRID YETI (block complete)



110008740D

Pos./Ref.	Nr. No.	Description Beschreibung Désignation Designación	TW	HP	PD
1	110007677	Block complete TW	1		
1	110007678	Block complete HP		1	
1	110007679	Block complete PD			1
2	110007686	Injector kit TW	1		
2	110007687	Injector kit HP		1	
2	110007688	Injector kit PD			1
3	110007096 (110004887)	O-ring kit			
4	110007096 (110004888)	O-ring kit			
5	0608106	Pipe	1	1	1
6	110008767	Inlet nipple complete	1	1	1
7	110008772	Water Non return valve complete	1	1	1
8	110002306	Plug incl. o-ring	1	1	2
9	110007096 (110002952)	O-ring kit			
10	110004434	Plast chemical non return valve	1	1	
10	110001102	Steel chemical non return valve		1	
11	110007136	Air non return valve 90° fitting	1	1	1
12	110007097 (11000526)	Screw kit			
13	110005029	Pipe	1	1	1
14	110007096 (0600079)	O-ring kit			
15	110007096 (110008303)	O-ring kit			
16	110007096 (110004076)	O-ring kit			

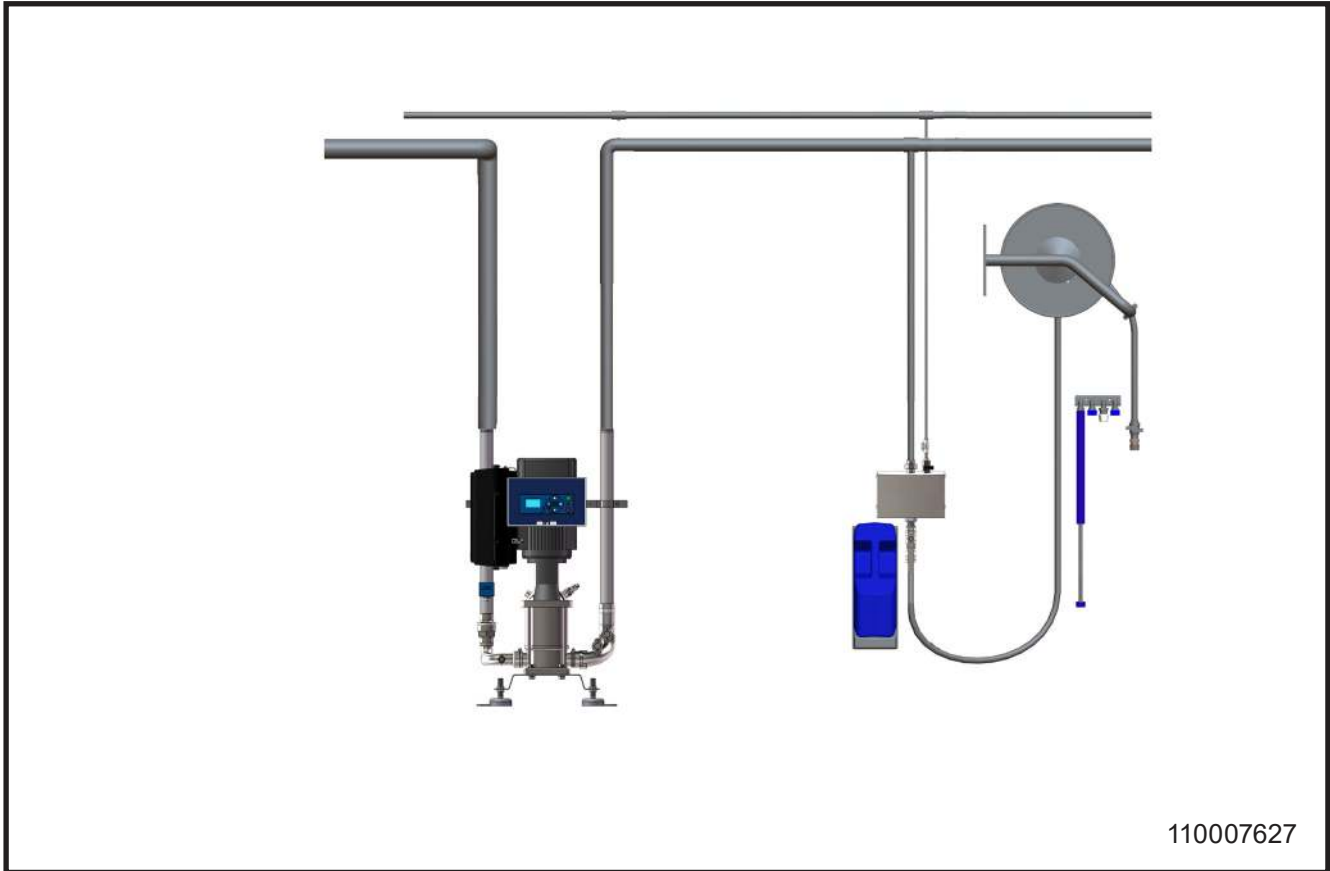
English (EN)

Deutsch (DE)

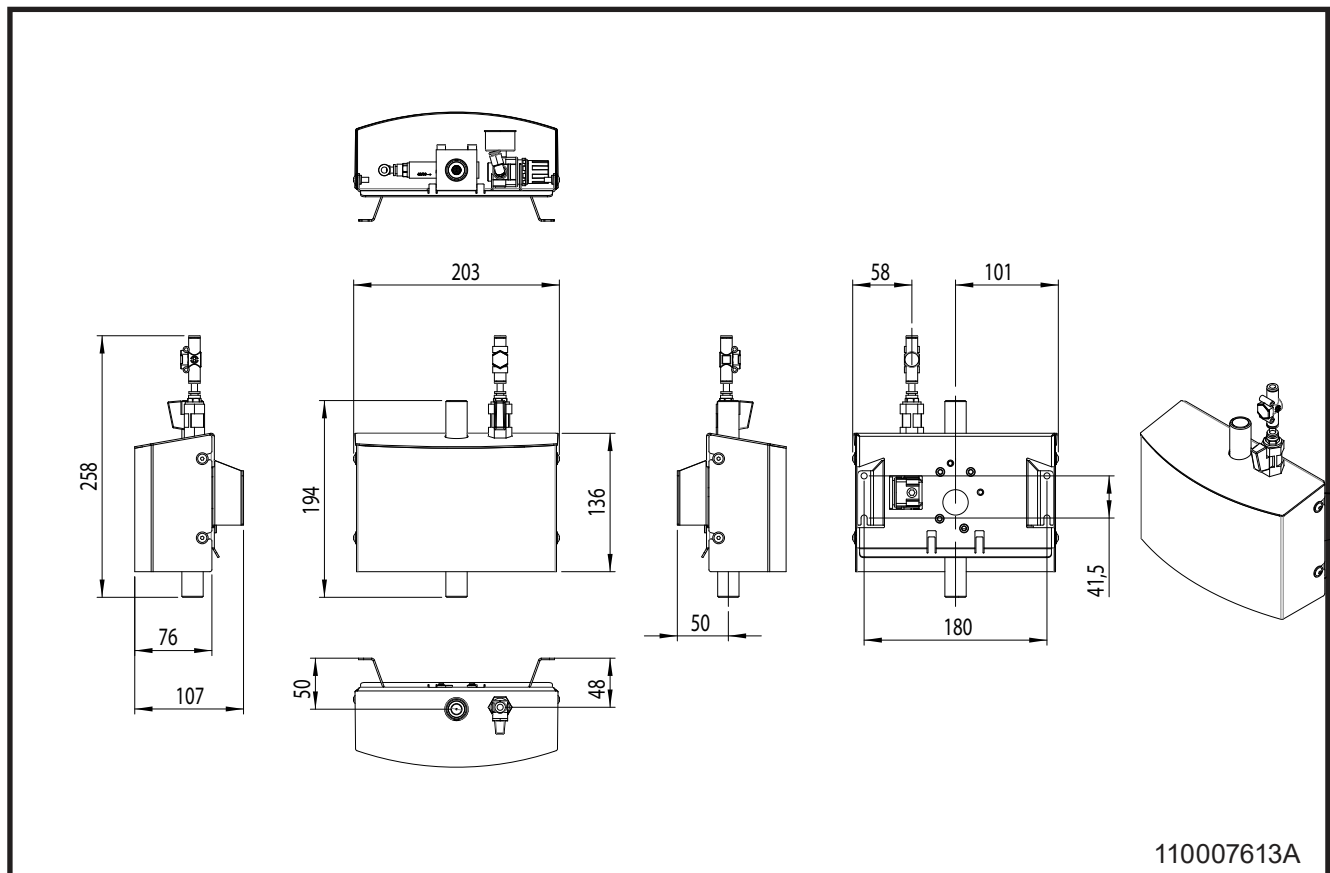
Français (FR)

Español (ES)

Installation

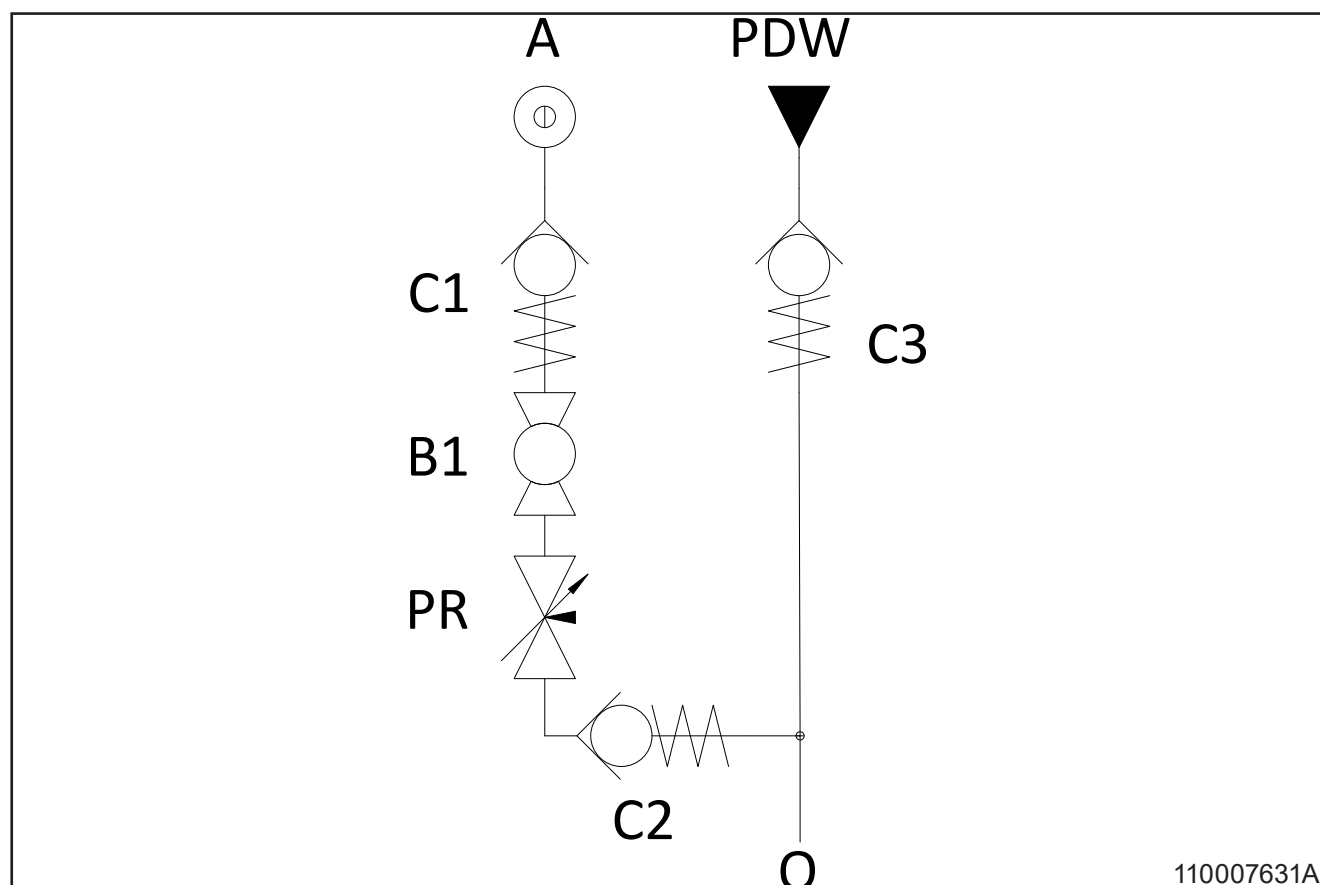


110007627



110007613A

Operating Diagram

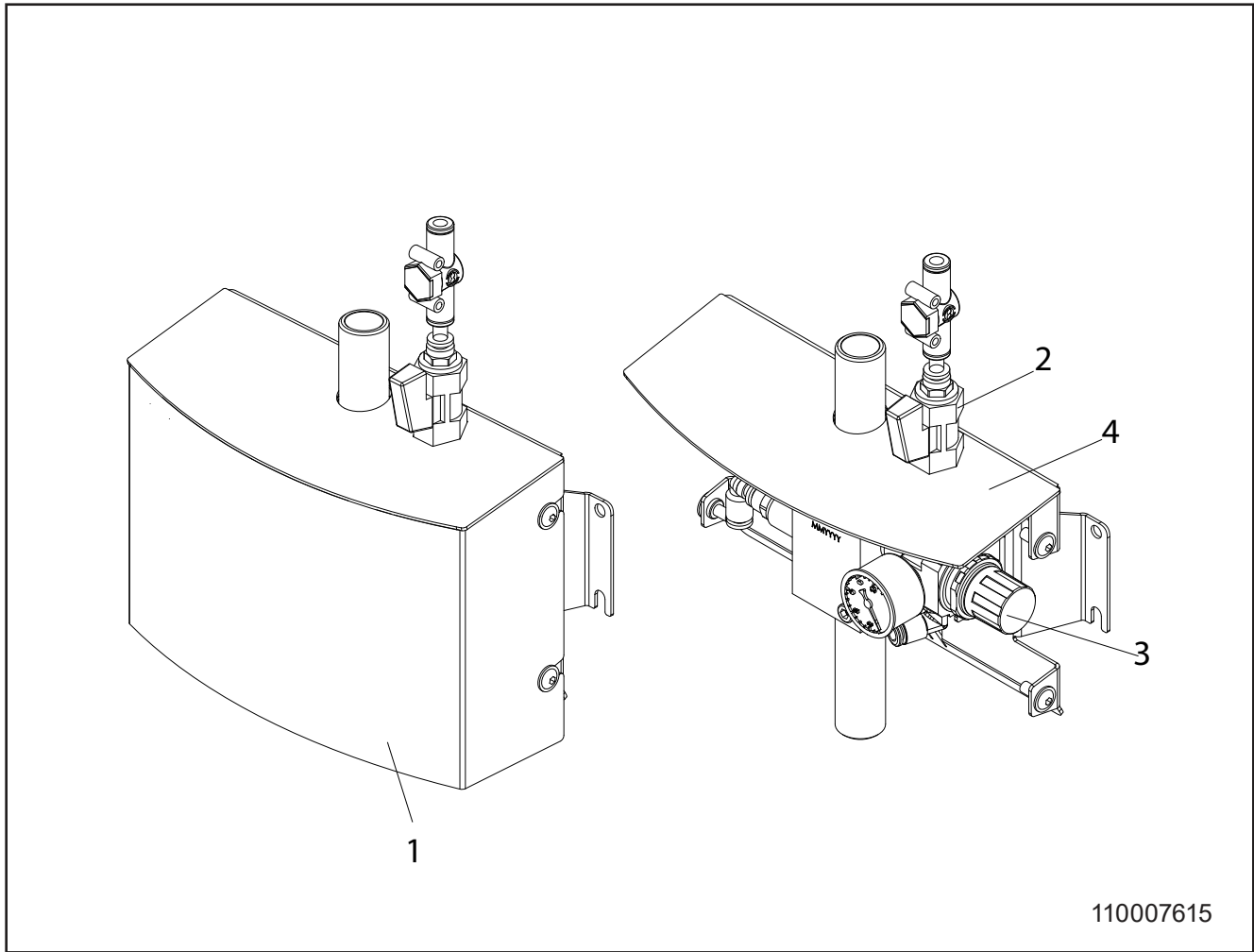


110007631A

	English	Deutsch	Français	Español
A	Air supply	Lufteingang	Alimentation air	Suministro de aire
B	Ball valve	Kugelventil	Clapet à bille	Válvula esférica
C	Check valve	Contraventil	Soupape de non retour	Válvula de retención
COV	Change over valve	Umschaltventil	Robinet coupleur	Válvula de conmutación
D	Outlet	Ausgang	Sortie	Salida
E	Ejector	Ausstoß	Ejecteur	Eyector
HC	Hose connection	Schlauchverbindung	Connexion flexible	Conexión de tubo flexible
OF	Orifice	Blende	Orifice	Orificio
PR	Pressure regulator	Druckregler	Régulateur de pression	Régulador de presión
W	Water inlet	Wassereinflaßrohr	Admission d'eau	Toma de agua

Layout Hybrid YETI

Hybrid YETI



	English	Deutsch	Français	Español
1	Cover	Abdeckung	Couvercle	Cubierta
2	Air complete	Luft Komplet	Air achevé	Aire completar
3	Air regulation complete	Luft Regulierung Komplet	Air régulation achevé	Aire regulación completar
4	Back plate	Hinter platte	Panneau arrière	Panel posterior

Nilfisk **FOOD**

No.: 110007180D 08/2022
Serial no: 146.01.000XXX

Printed in Denmark