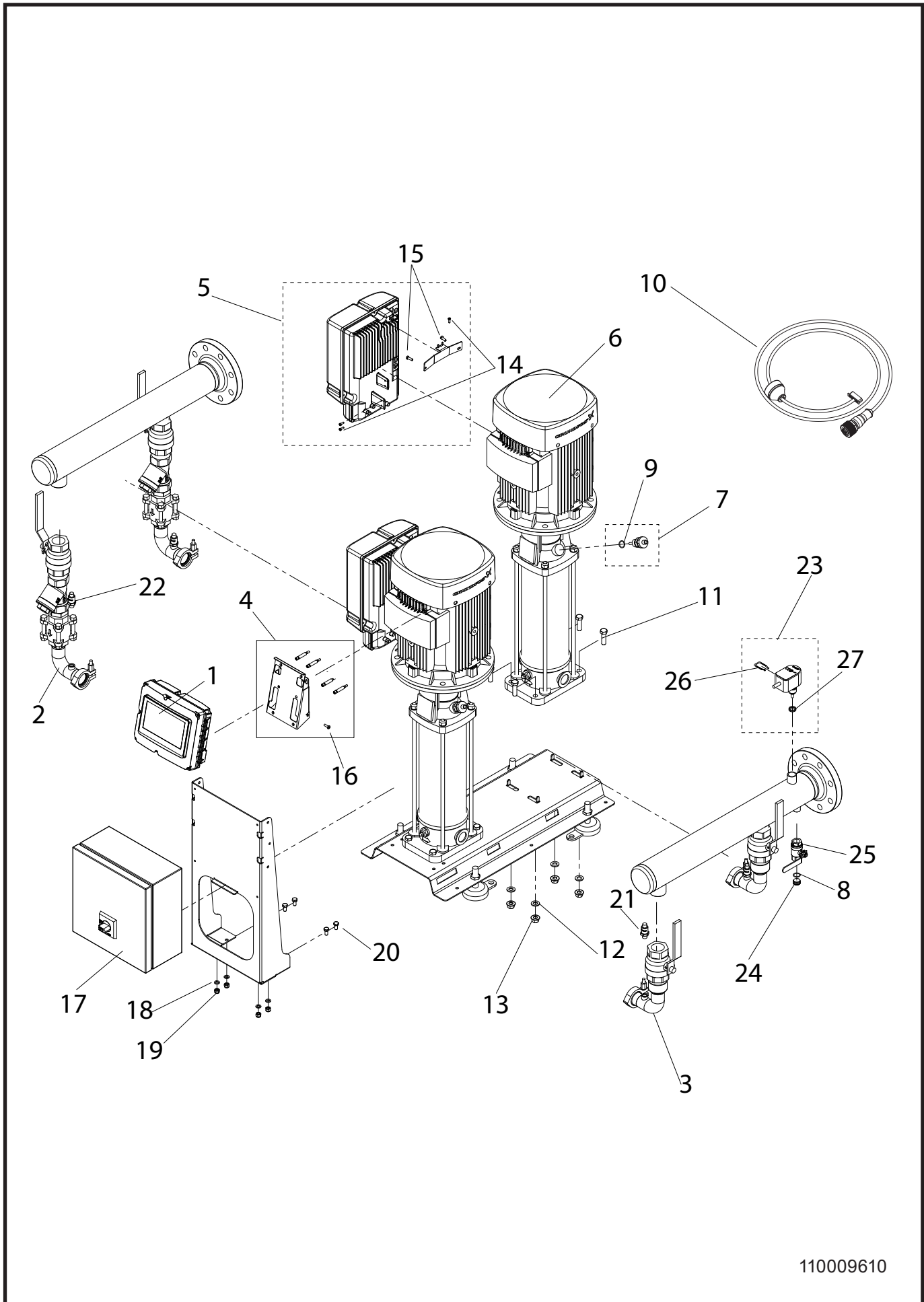


10. Spare part list

Hybrid 7 BF16, BF24, BF32

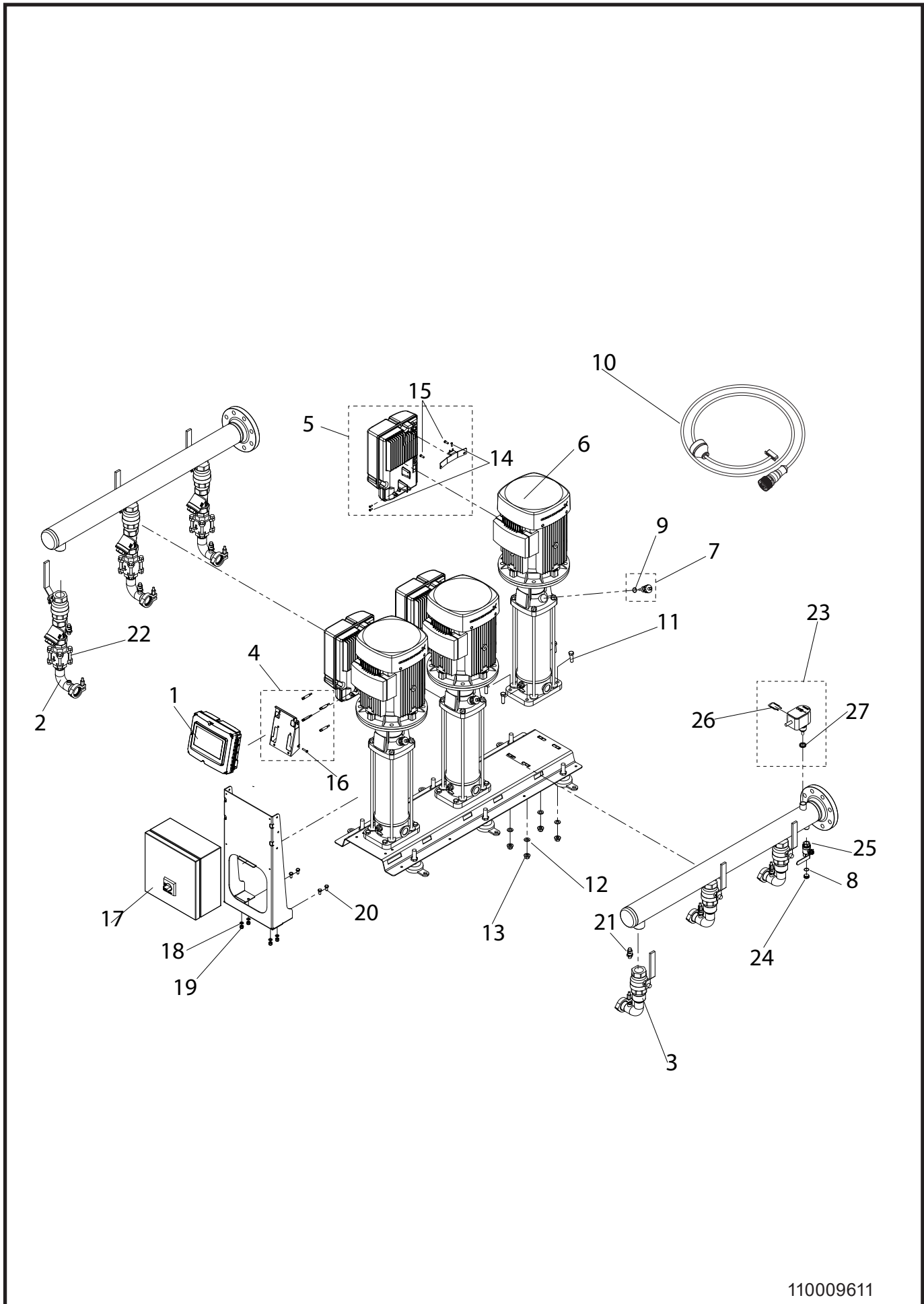
10.1. BF16 overview



110009610

Pos./Ref.	Nr. No.	Description Beschreibung Désignation Designación	BF16
1		Display module - see page page 352	
2		Inlet pipe - see page page 351	
3		Outlet pipe - see page page 351	
4	110009498	Display bracket complete	1
5	110008187	Inverter complete	2
6	110008673	Pump	2
7	110004713	Temperature sensor complete	2
8	110009720 (1100002955)	O-ring & screw kit	
9	110009720 (110008447)	O-ring & screw kit	
10	110006921	Sensor cable	6
11	110009720 (156704)	O-ring & screw kit	
12	110009720 (156702)	Screw kit	
13	110009720 (321700)	O-ring & screw kit	
14	110009720 (0602104)	O-ring & screw kit	
15	110009720 (1100001369)	O-ring & screw kit	
16	110009720 (0602128)	O-ring & screw kit	
17		Eletric cabinet - see page page 353	
18	110009720 (156502)	O-ring & screw kit	
19	110009720 (156518)	O-ring & screw kit	
20	110009720 (156503)	O-ring & screw kit	
21	110000890	Pressure sensor 0 - 40 bar	2
22	110000889	Pressure sensor -1 - 16 bar	2
23	110001851	Flowswitch	1
24	110000543	Plug	1
25	632800	Ball valve ½"	1
26	0602037	Flowswitch clips	
27	110009720 (350108)	O-ring & screw kit	

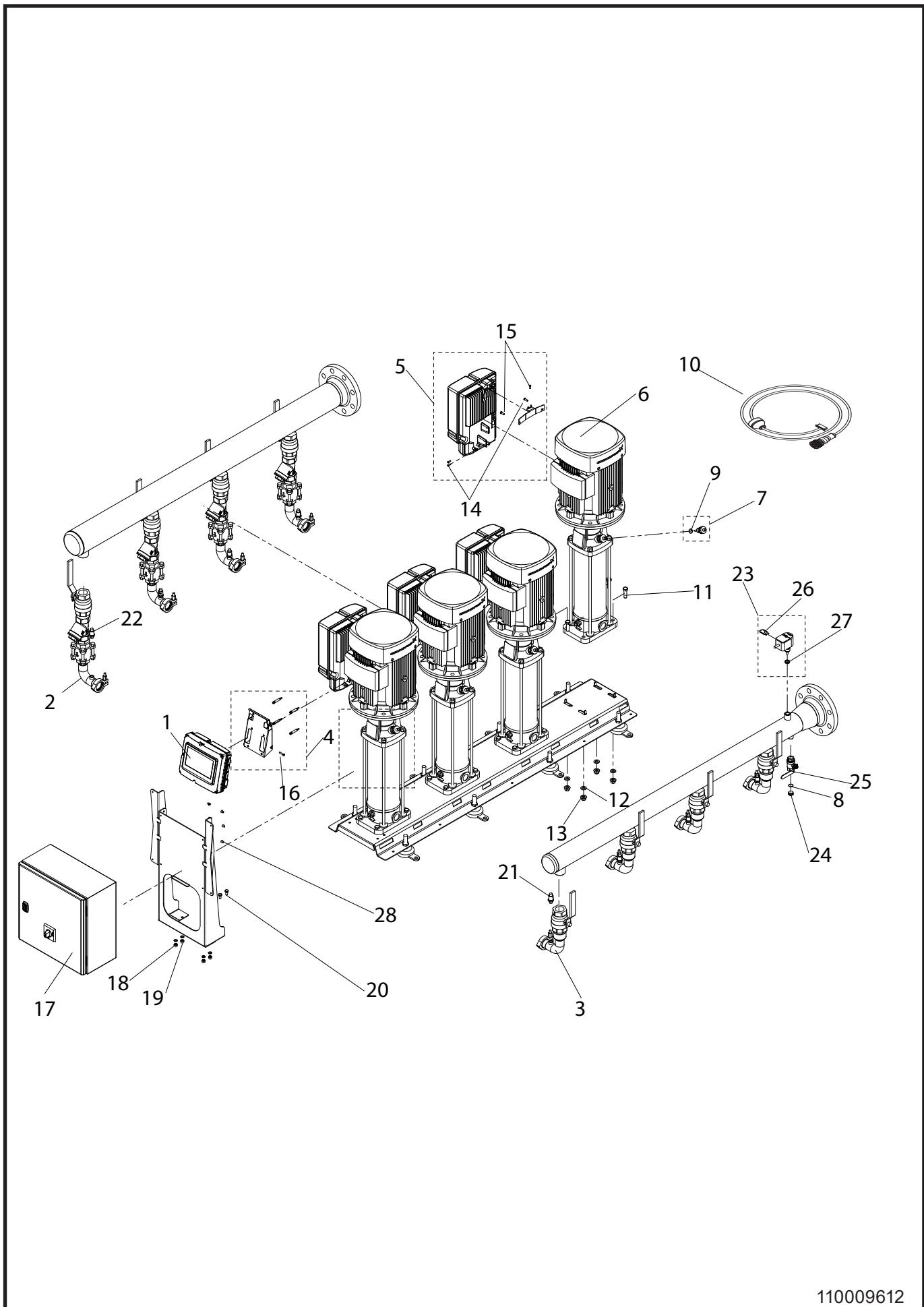
10.2. BF24 overview



110009611

Pos./Ref.	Nr. No.	Description Beschreibung Désignation Designación	BF24
1		Display module - see page page 352	
2		Inlet pipe - see page page 351	
3		Outlet pipe - see page page 351	
4	110009498	Display bracket complete	1
5	110008187	Inverter complete	3
6	110008673	Pump	3
7	110004713	Temperature sensor complete	3
8	110009720 (1100002955)	O-ring & screw kit	
9	110009720 (110008447)	O-ring & screw kit	
10	110006921	Sensor cable	9
11	110009720 (156704)	O-ring & screw kit	
12	110009720 (156702)	Screw kit	
13	110009720 (321700)	O-ring & screw kit	
14	110009720 (0602104)	O-ring & screw kit	
15	1100009531 (1100001369)	O-ring & screw kit	
16	110009720 (0602128)	O-ring & screw kit	
17		Electric cabinet - see page page 353	
18	110009720 (156502)	O-ring & screw kit	
19	110009720 (156518)	O-ring & screw kit	
20	110009720 (156503)	O-ring & screw kit	
21	110000890	Pressure sensor 0 - 40 bar	3
22	110000889	Pressure sensor -1 - 16 bar	3
23	110001851	Flowswitch	1
24	110000543	Plug	1
25	632800	Ball valve ½"	1
26	0602037	Flowswitch clips	
27	110009720 (350108)	O-ring & screw kit	

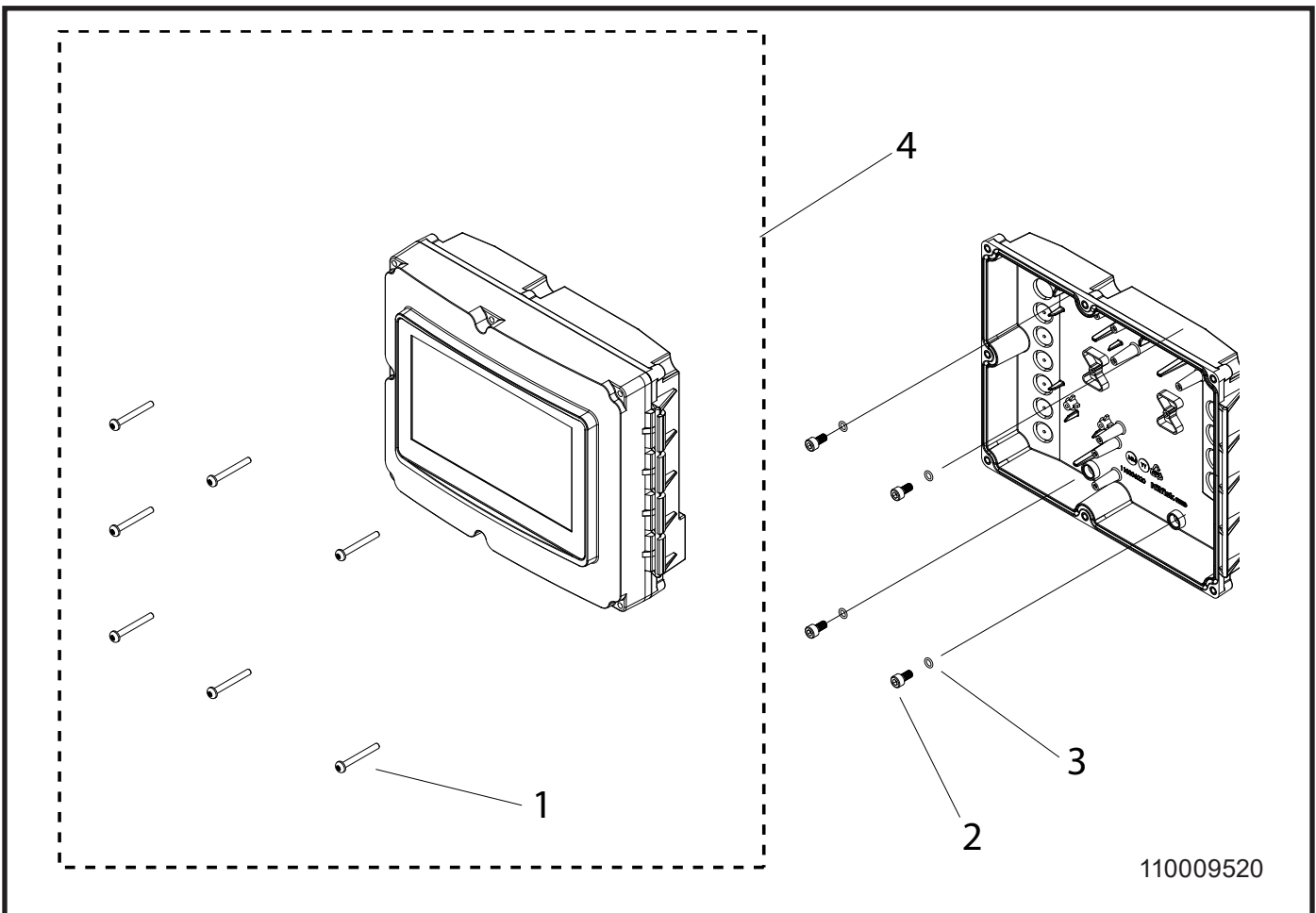
10.3. BF32 overview



110009612

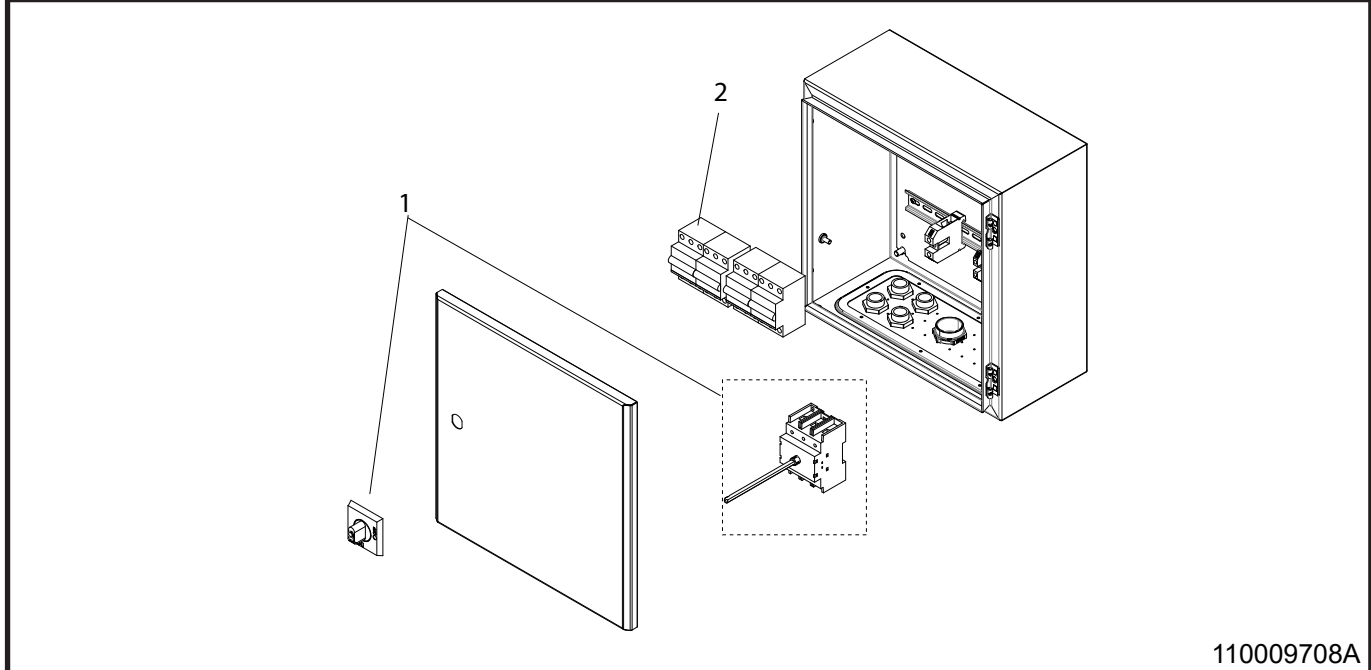
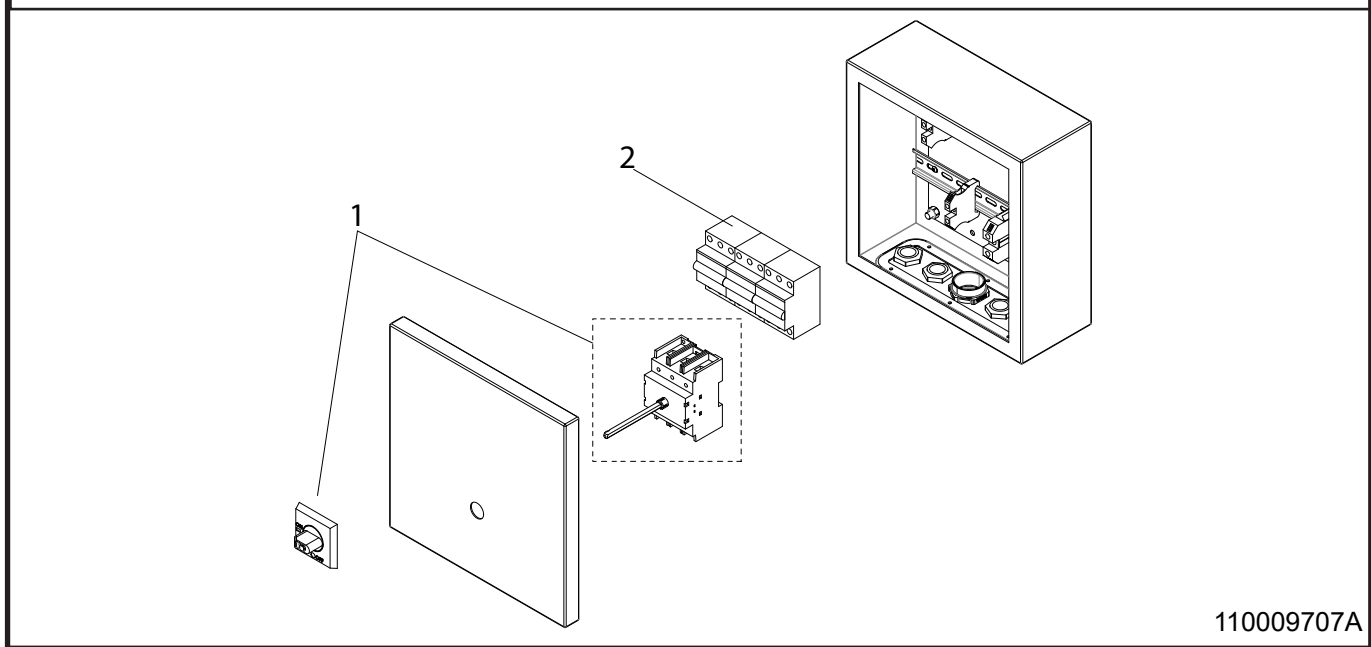
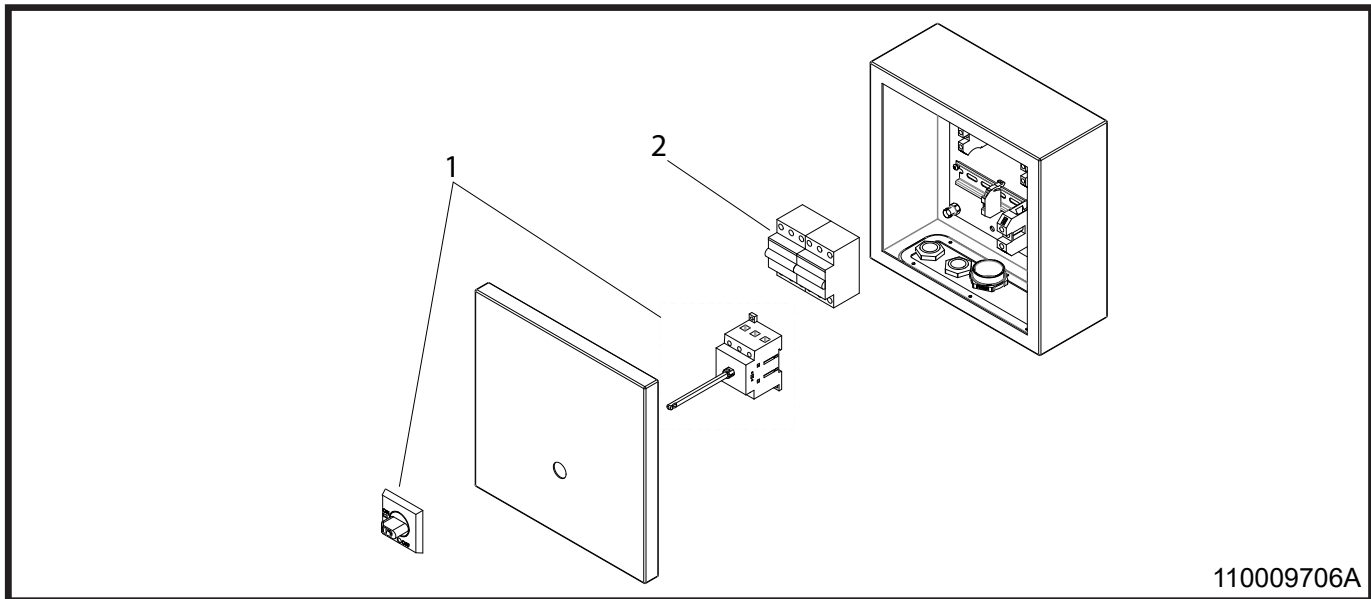
Pos./Ref.	Nr. No.	Description Beschreibung Désignation Designación	BF32
1		Display module - see page page 352	
2		Inlet pipe - see page page 351	
3		Outlet pipe - see page page 351	
4	110009498	Display bracket complete	1
5	110008187	Inverter complete	4
6	110008673	Pump	4
7	110004713	Temperature sensor complete	4
8	110009720 (1100002955)	O-ring & screw kit	
9	110009720 (110008447)	O-ring & screw kit	
10	110006921	Sensor cable	12
11	110009720 (156704)	O-ring & screw kit	
12	110009720 (156702)	Screw kit	
13	110009720 (321700)	O-ring & screw kit	
14	110009720 (0602104)	O-ring & screw kit	
15	1100009531 (1100001369)	O-ring & screw kit	
16	110009720 (0602128)	O-ring & screw kit	
17		Electric cabinet - see page page 353	
18	110009720 (156502)	O-ring & screw kit	
19	110009720 (156518)	O-ring & screw kit	
20	110009720 (110009993)	O-ring & screw kit	
21	110000890	Pressure sensor 0 - 40 bar	4
22	110000889	Pressure sensor -1 - 16 bar	4
23	110001851	Flowswitch	1
24	110000543	Plug	1
25	632800	Ball valve ½"	1
26	0602037	Flowswitch clips	
27	110009720 (350108)	O-ring & screw kit	

10.5. Display



Pos./Ref.	No.	Description			
			BF16	BF24	BF32
1	110009720 (110006876)	O-ring & screw kit			
2	110009720 (0600009)	O-ring & screw kit			
3	110009720 (110009842)	O-ring & screw kit			
4	110009331	Display, complete	1	1	1

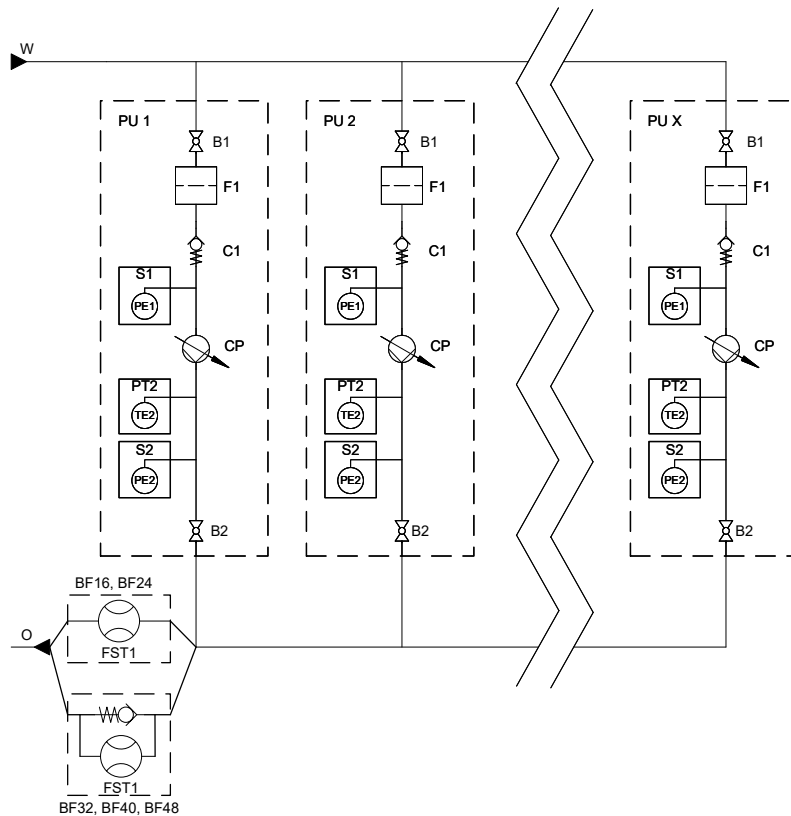
10.6. Electrical Cabinet BF16, BF24, BF32



Pos./Ref.	Nr. No.	Description Beschreibung Désignation Designación	BF16	BF24	BF32
1	110001857	Switch BF16	1		
1	110001858	Switch BF 24 & BF32		1	1
2	0631186	Automatic fuse	2	3	4

11. Sensors & diagrams BF16, BF24, BF32

11.1. Operating Diagram BF16, BF24, BF32

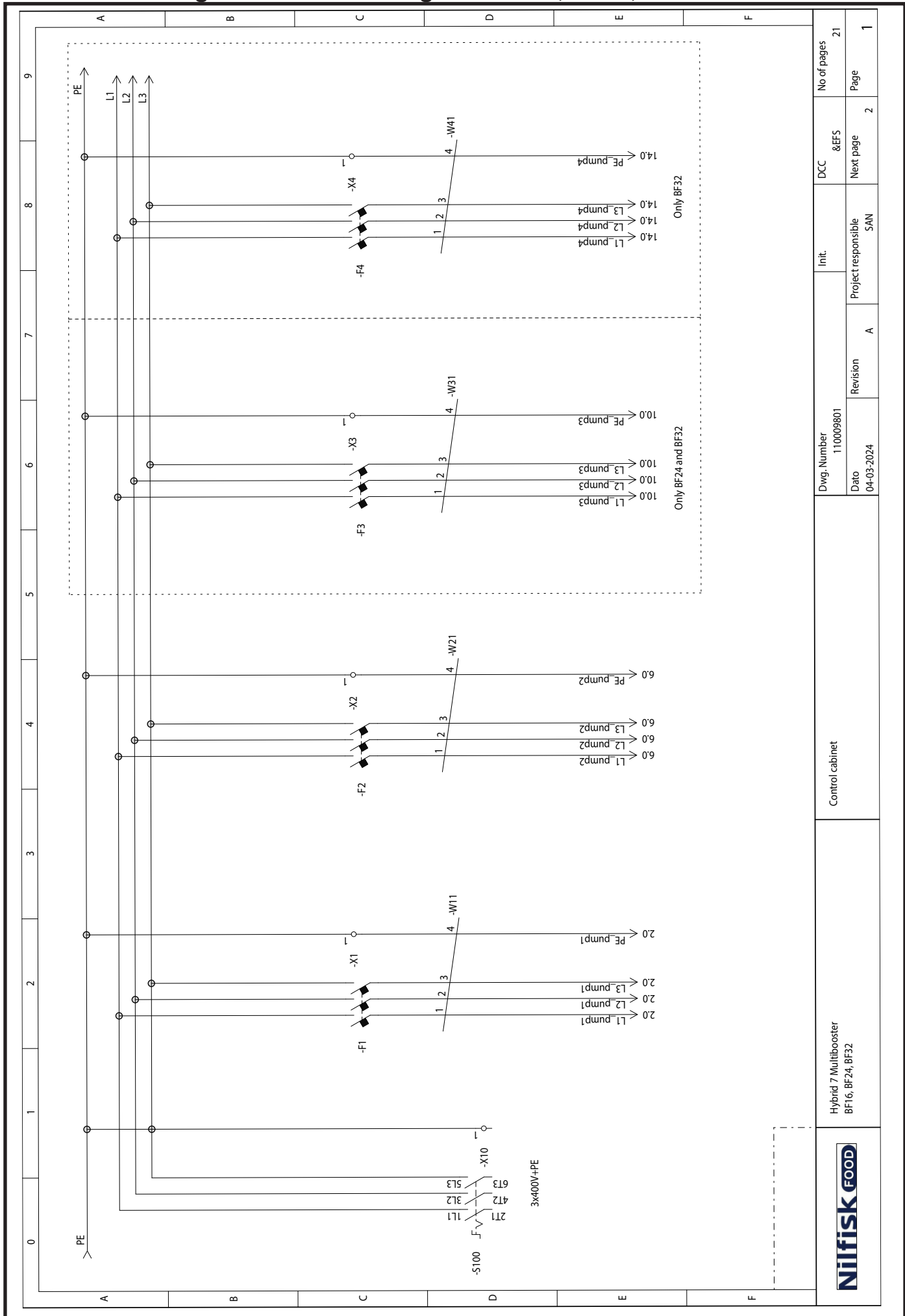


110008439

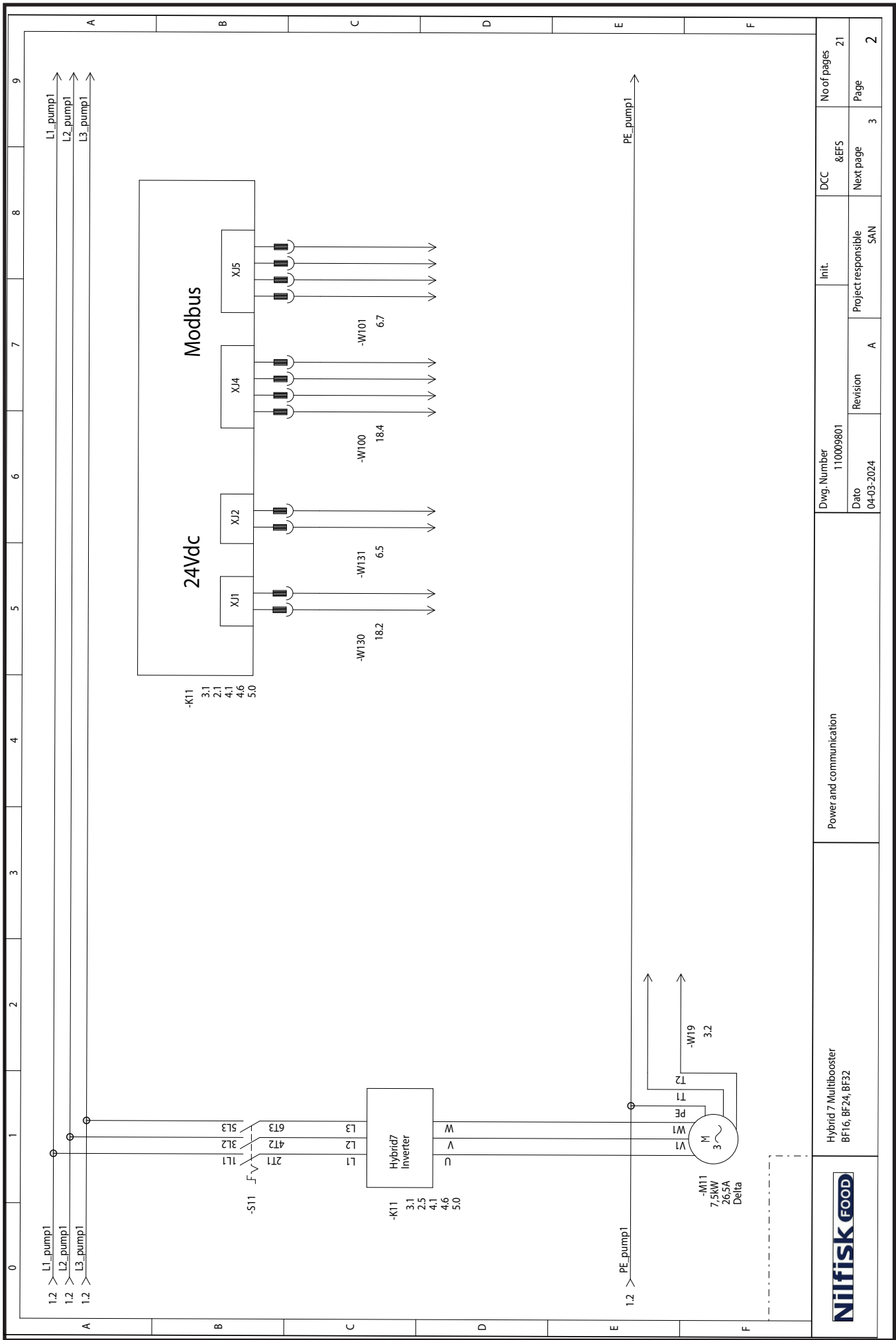
	Danish	English	Deutsch	Français
C	Kontraventil	Check valve	Rückschlagventil	Clapet anti-retour
CP	Centrifugalpumpe	Centrifugal pump	Kreiselpumpe	Pompe centrifuge
FST	Flow kontakt	Flow switch	Strömungswächter	Capteur de débit et de déclenchement
O	Udgang	Outlet	Auslauf	Évacuation
PE	Tryksensor	Presssure sensor	Drucksensor	Capteur de pression
PT2	Tilslutning af inverterkort	Inverter board connection	Inverter board connection	Inverter board connection
S1,S2	Tilslutning af inverterkort	Inverter board connection	Inverter board connection	Inverter board connection
SW1-A	Tilslutning af inverterkort	Inverter board connection	Inverter board connection	Inverter board connection
TE	Termokontakt	Temperature switch	Temperaturschalter	Interrupteur thermostatique
W	Vandindløb	Water inlet	Wassereinlauf	Entrée d'eau

	Español	Italian	Polish	Netherlands
C	Válvula de retención	Valvola di ritegno	Zawór zwrotny	Terugslagklep
CP	Bomba centrífuga	Pompa centrifuga	Pompa odśrodkowa	Centrifugaalpompe
FST	Sensor de caudal y de activación	Sensore e trigger di flusso	Czujnik przepływu i wyzwalacz	Flowsensor en trigger
O	Salida	Uscita	Wylot	Uitlaat
PE	Sensor de presión	Sensore di pressione	Czujnik ciśnienia	Druksensor
PT2	Inverter board connection	Connessione scheda inverter	Złącze płyty falownika	Aansluiting omvormerkaart
S1,S2	Inverter board connection	Connessione scheda inverter	Złącze płyty falownika	Aansluiting omvormerkaart
SW1-A	Inverter board connection	Connessione scheda inverter	Złącze płyty falownika	Aansluiting omvormerkaart
TE	Interruptor de temperatura	Interruttore termico	Przełącznik temperatury	Temperatuurregelaar
W	Entrada de agua	Entrata dell'acqua	Doprowadzenie wody	Waterinlaat

11.2. Circuit diagrams & sensor diagrams BF16, BF24, BF32xxx



Control cabinet		Dwg. Number 110009801	Init.	DCC &EFS	No of pages 21
Hybrid 7 Multibooster BF16, BF24, BF32		Date 04-03-2024	Revision A	Project responsible SAN	Page 2
					Page 1



Hybrid 7 Multibooster
BF16, BF24, BF32

Power and communication

Dwg. Number
110009801

Dato
04-03-2024

Revision
A

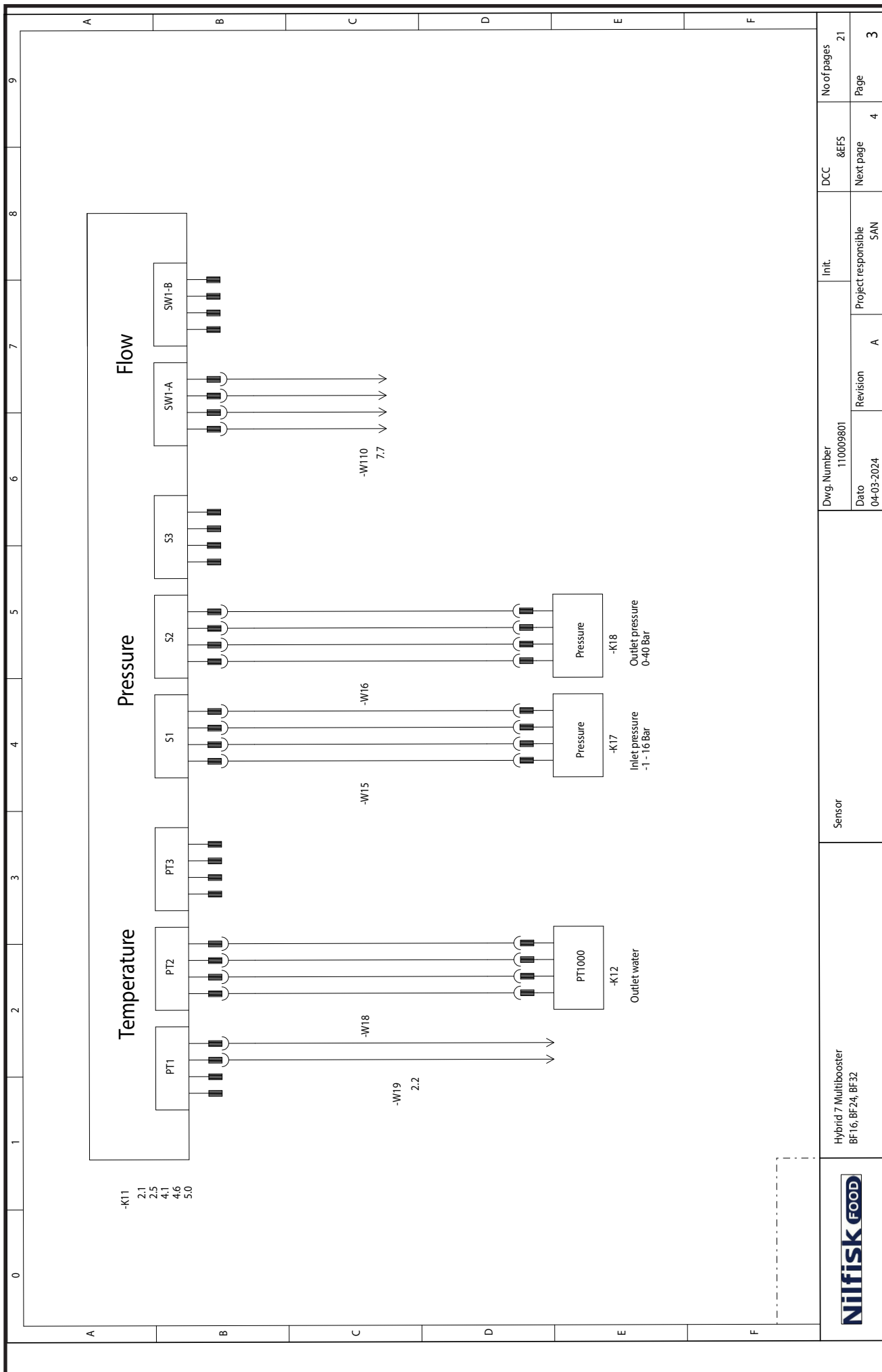
Project responsible
SAN

DCC &EFS

Next page
3

No of pages
21

Page
2

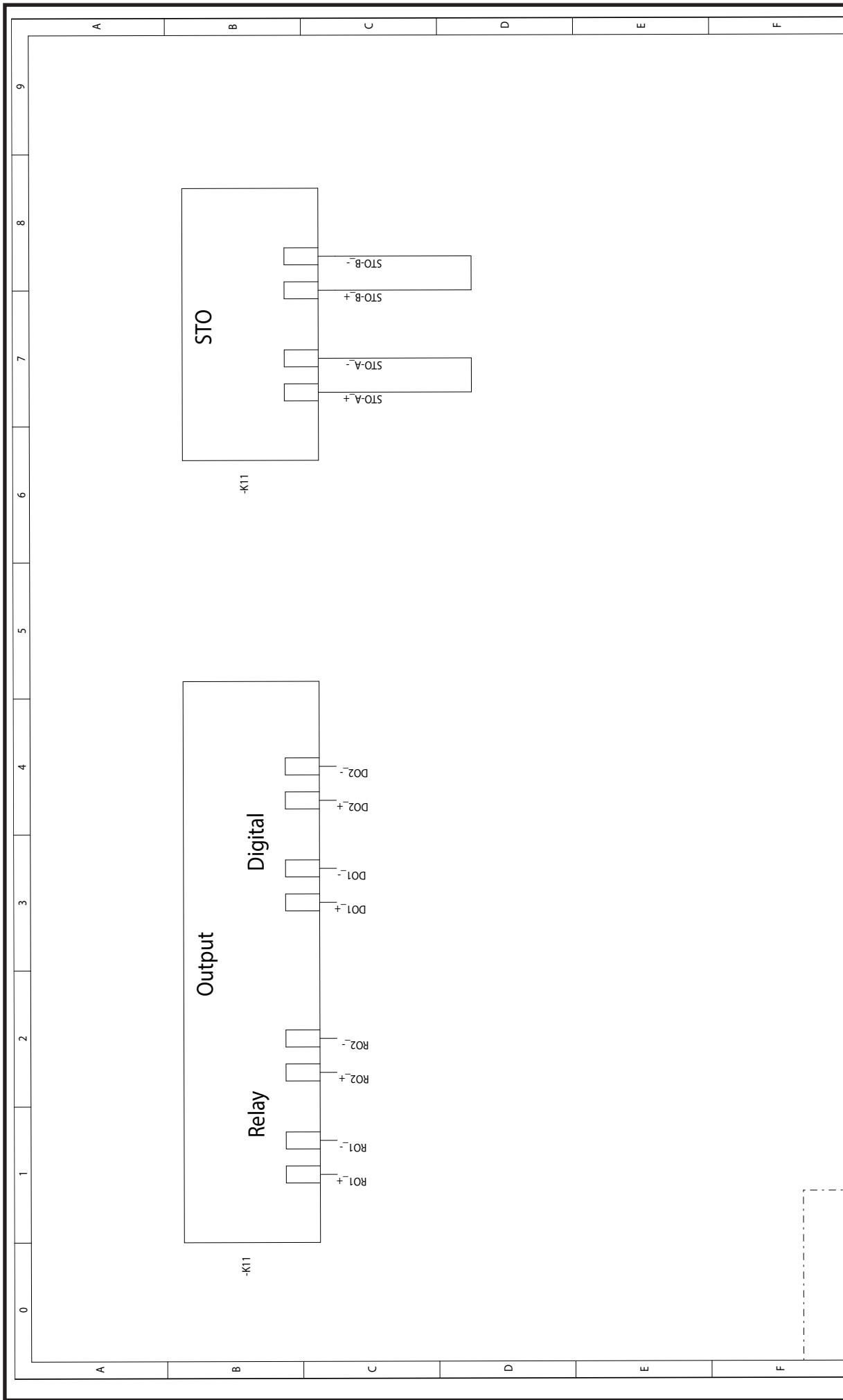



Dwg. Number		110009801		DCC		No of pages	
Date		04-03-2024		Revision		Page	
Project responsible		SAN		Next page		21	
Revision		A		Next page		4	
Init.		SAN		Next page		3	

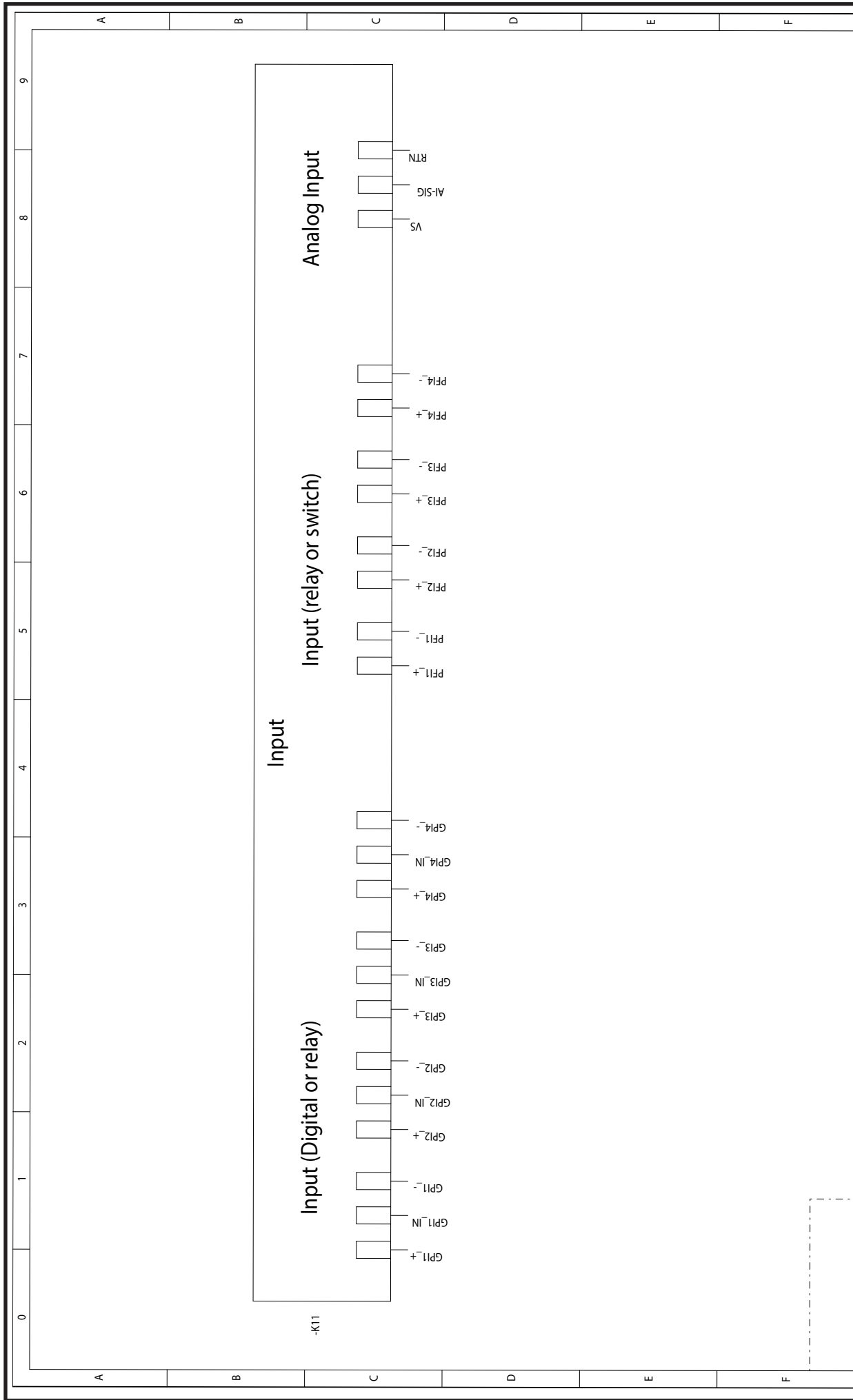
Sensor

Hybrid 7 Multi booster
BF16, BF24, BF32

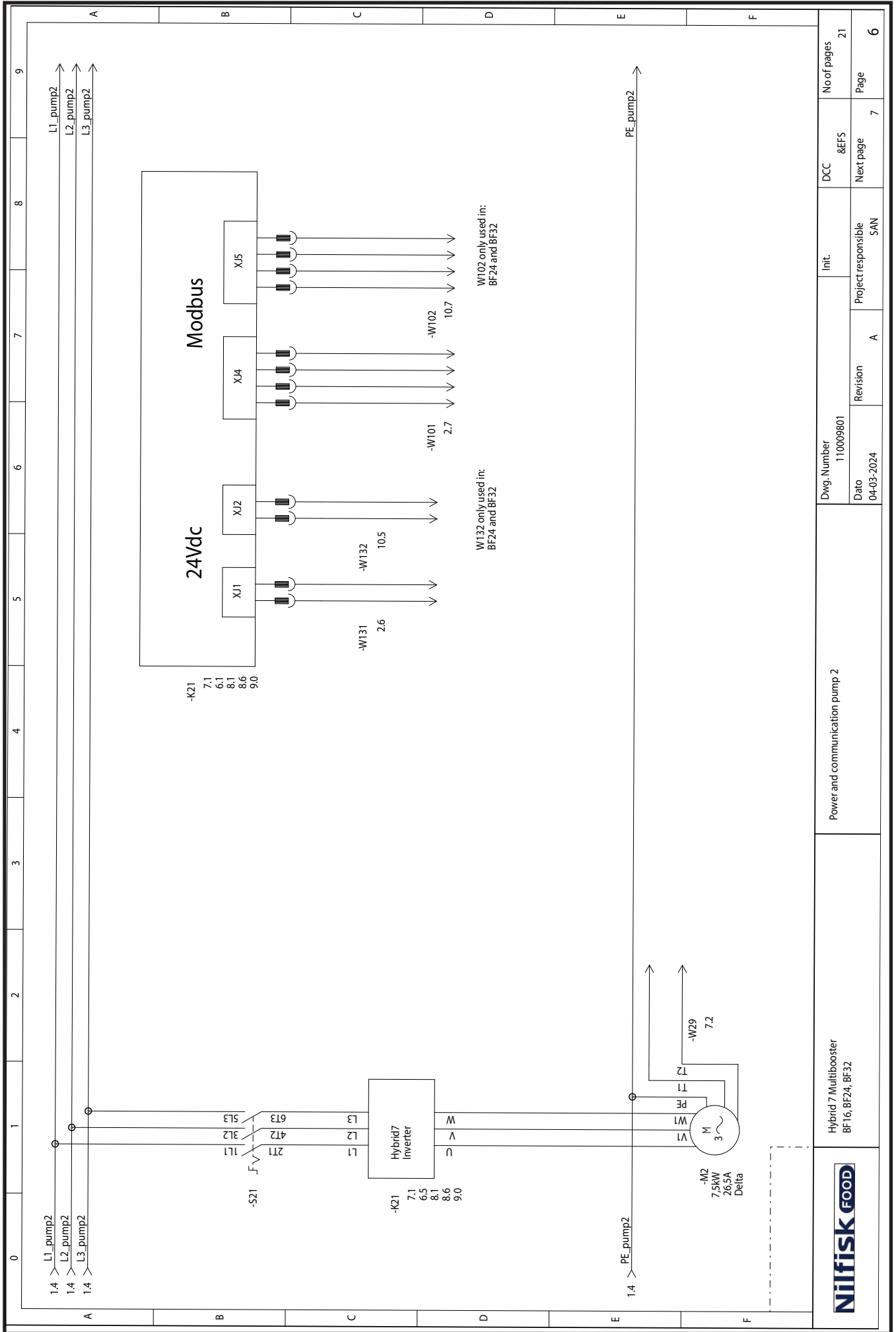




	Hybrid 7 Multi booster BF16, BF24, BF32	Output & STO	Dwg. Number 110009801	Init.	DCC	No of pages
			Dato 04-03-2024	Revision A	&EFS Next page	21
				Project responsible SAN	Next page	Page
					5	4

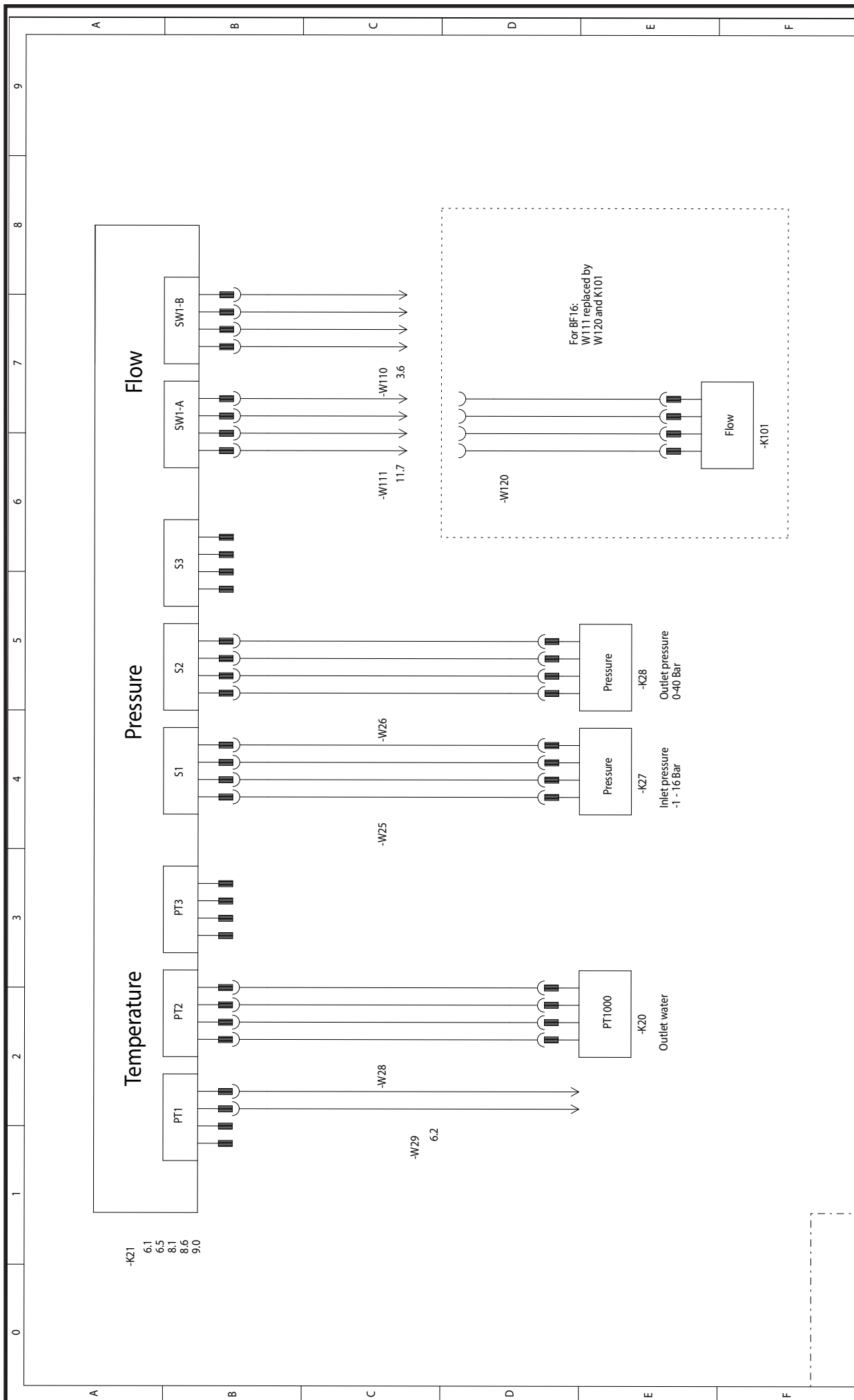


	Hybrid 7 Multibooster BF16, BF24, BF32		Input		Dwg. Number 110009801	Init.	DCC &EFS	No of pages 21
			Dato 04-03-2024	Revision A	Project responsible SAN	Next page 6	Page 5	

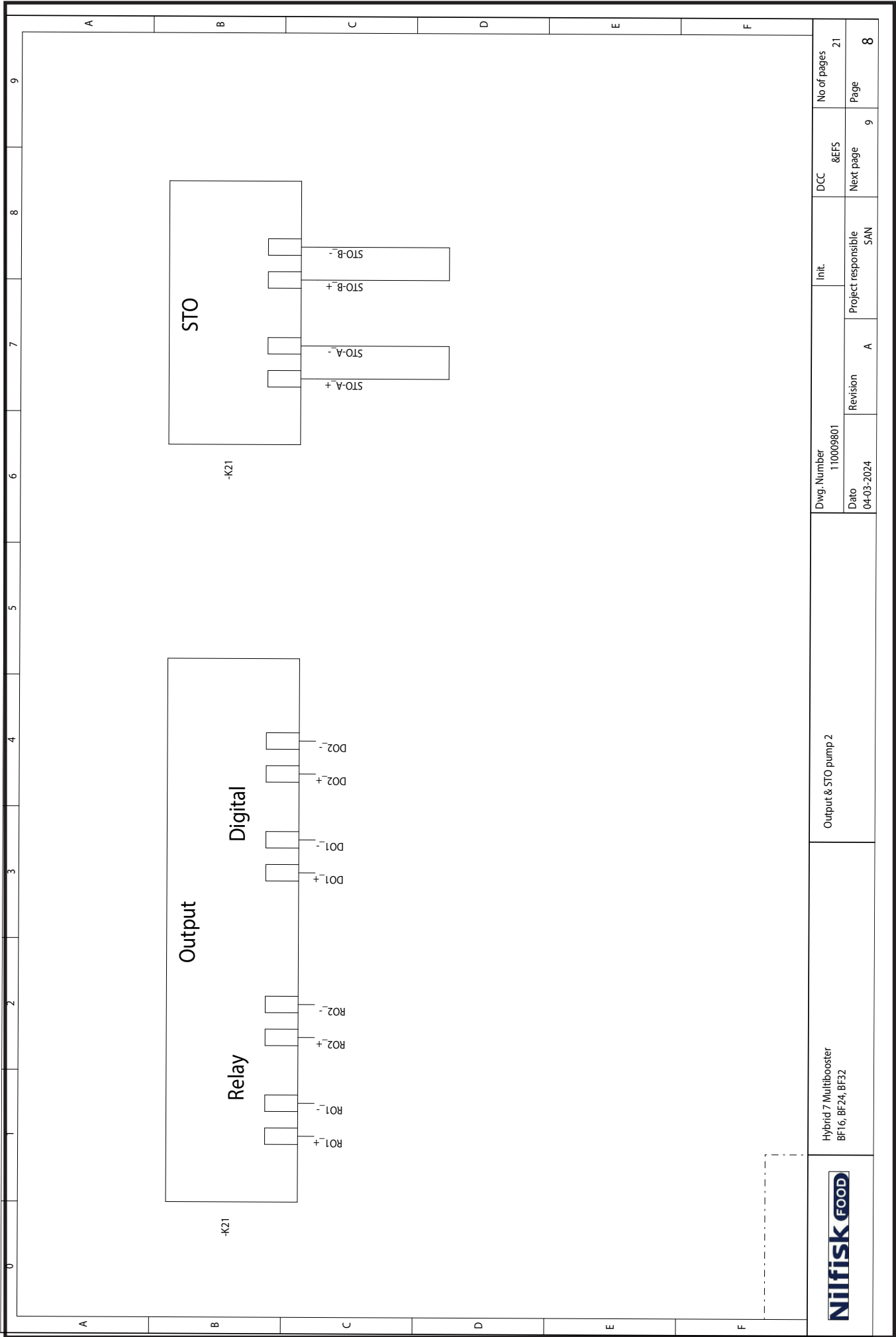


Hybrid 7 Multibooster
BF16, BF24, BF32

Power and communication pump 2



	Hybrid 7 Multibooster BF16, BF24, BF32		Sensor pump 2		Dwg. Number 110009801		Init.		DCC		No of pages		
					Date 04-03-2024		Revision A		Project responsible SAN		Next page 8		Page 7

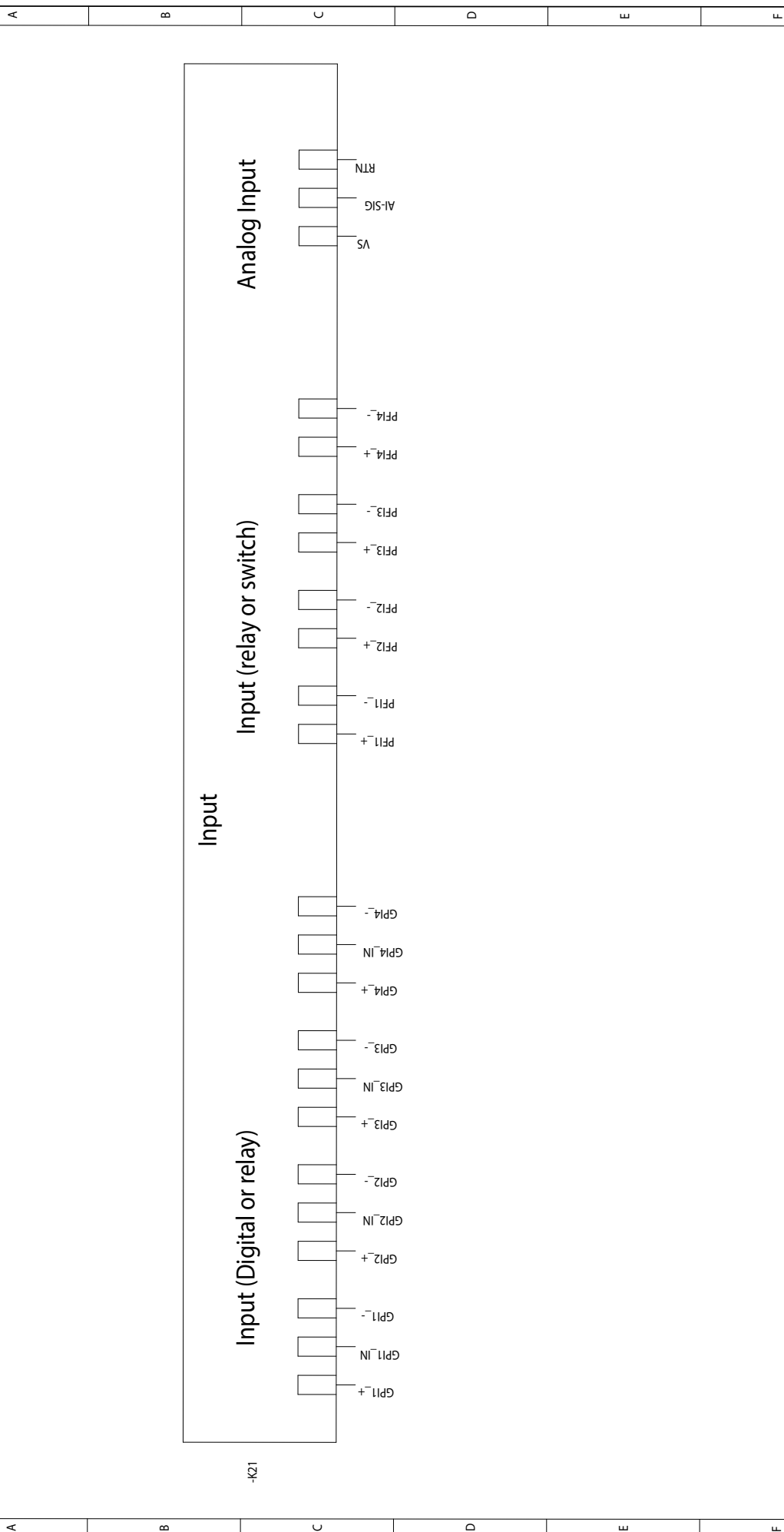


Hybrid 7 Multibooster
BF16, BF24, BF32

Output & STO pump 2

Dwg. Number	110009801	Init.		DCC	&EFS	No of pages	21	
Date	04-03-2024	Revision	A	Project responsible	SAN	Next page	9	
							Page	8

0 1 2 3 4 5 6 7 8 9




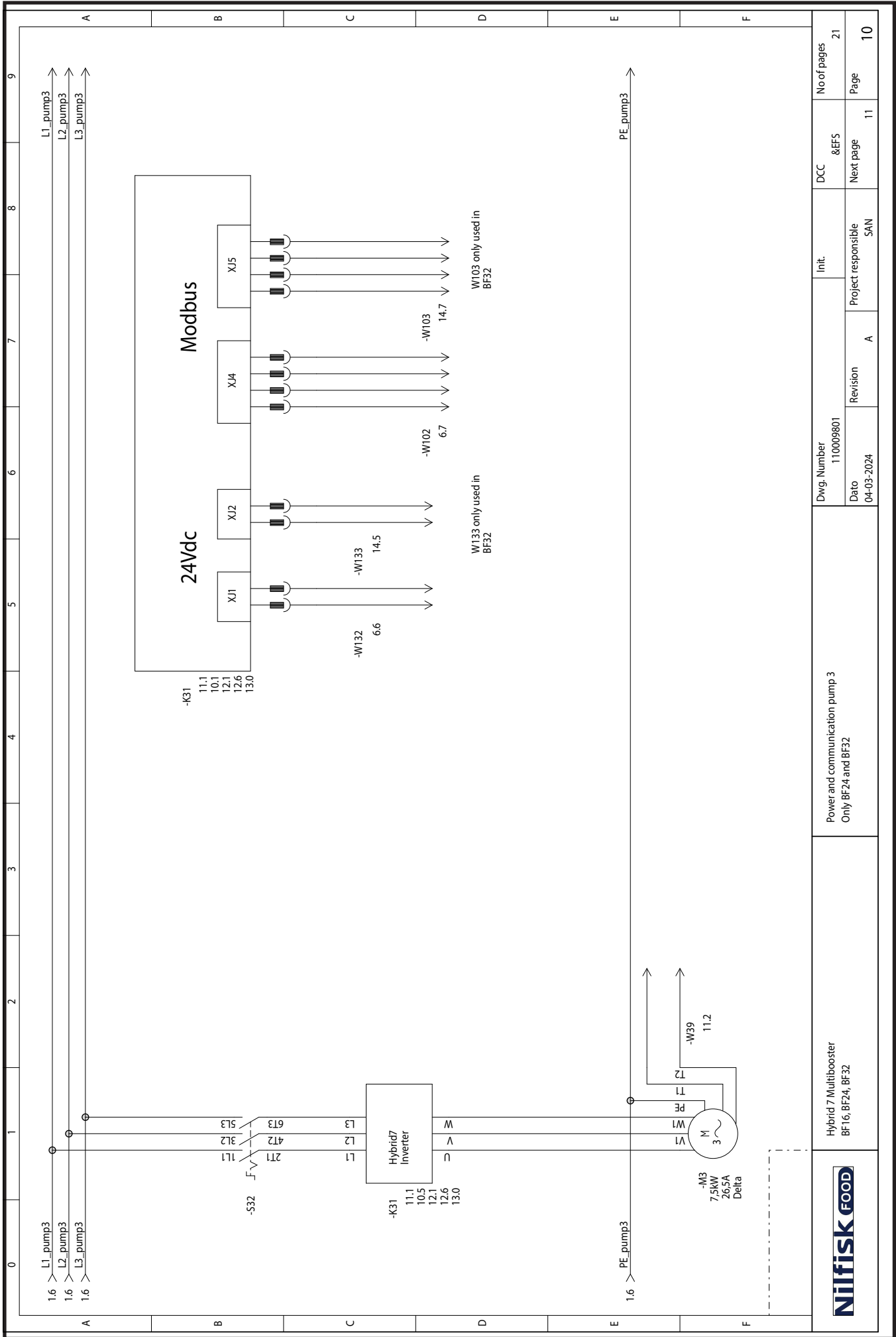
Input

Input (Digital or relay)

Input (relay or switch)

Analog Input

		Hybrid 7 Multibooster BF16, BF24, BF32		Input pump 2		Dwg. Number 110009801		Init.		DCC &EFS		No of pages 21	
						Date 04-03-2024		Project responsible SAN		Next page 10		Page 9	
						Revision A							



Hybrid 7 Multi booster
BF16, BF24, BF32

Power and communication pump 3
Only BF24 and BF32

Dwg. Number
110009801

Init.
Project responsible
SAN

DCC
&EFS
Next page

No of pages
21

Page
10

Revision
A

Date
04-03-2024

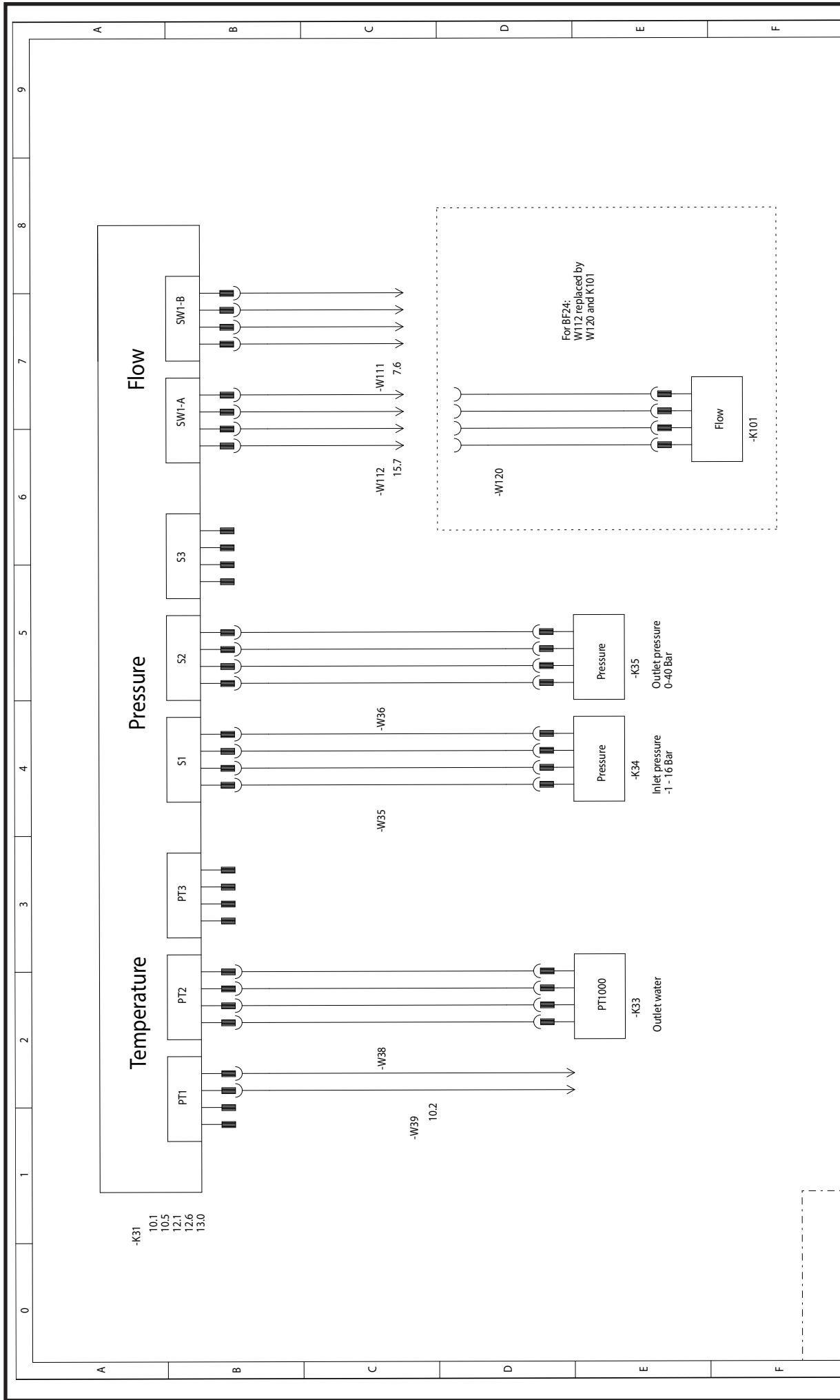
Revision
A

Project responsible
SAN

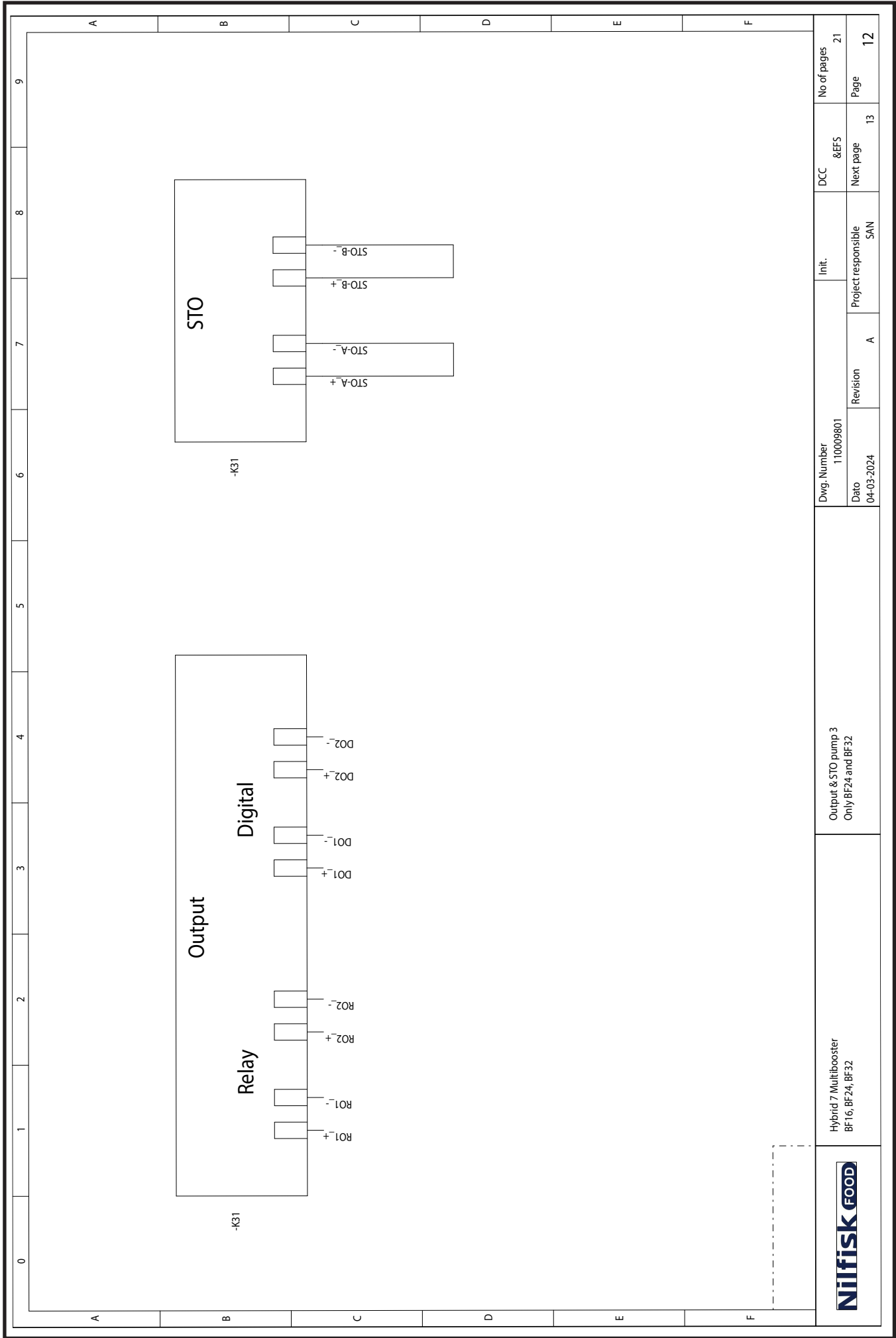
DCC
&EFS
Next page

No of pages
21

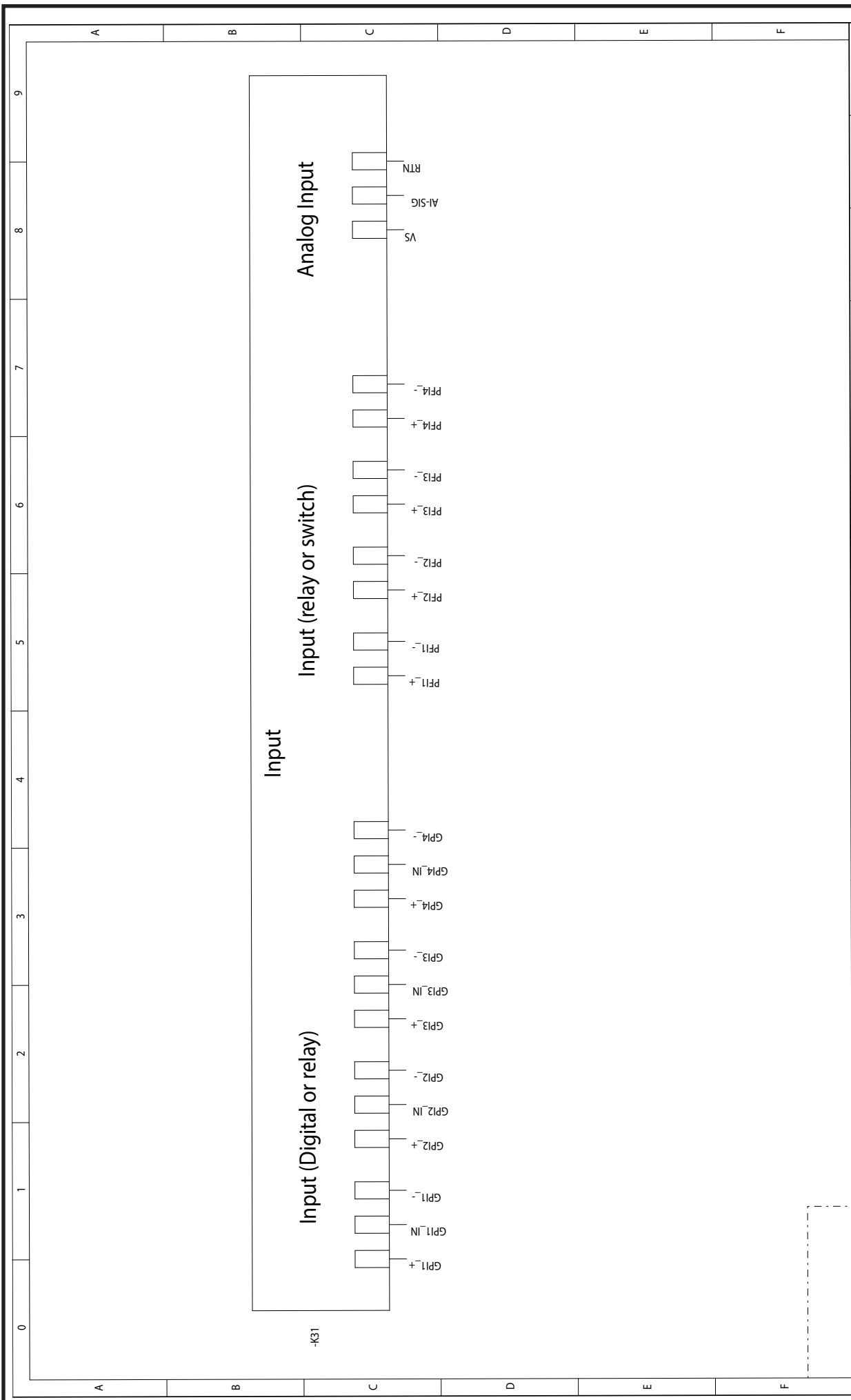
Page
10



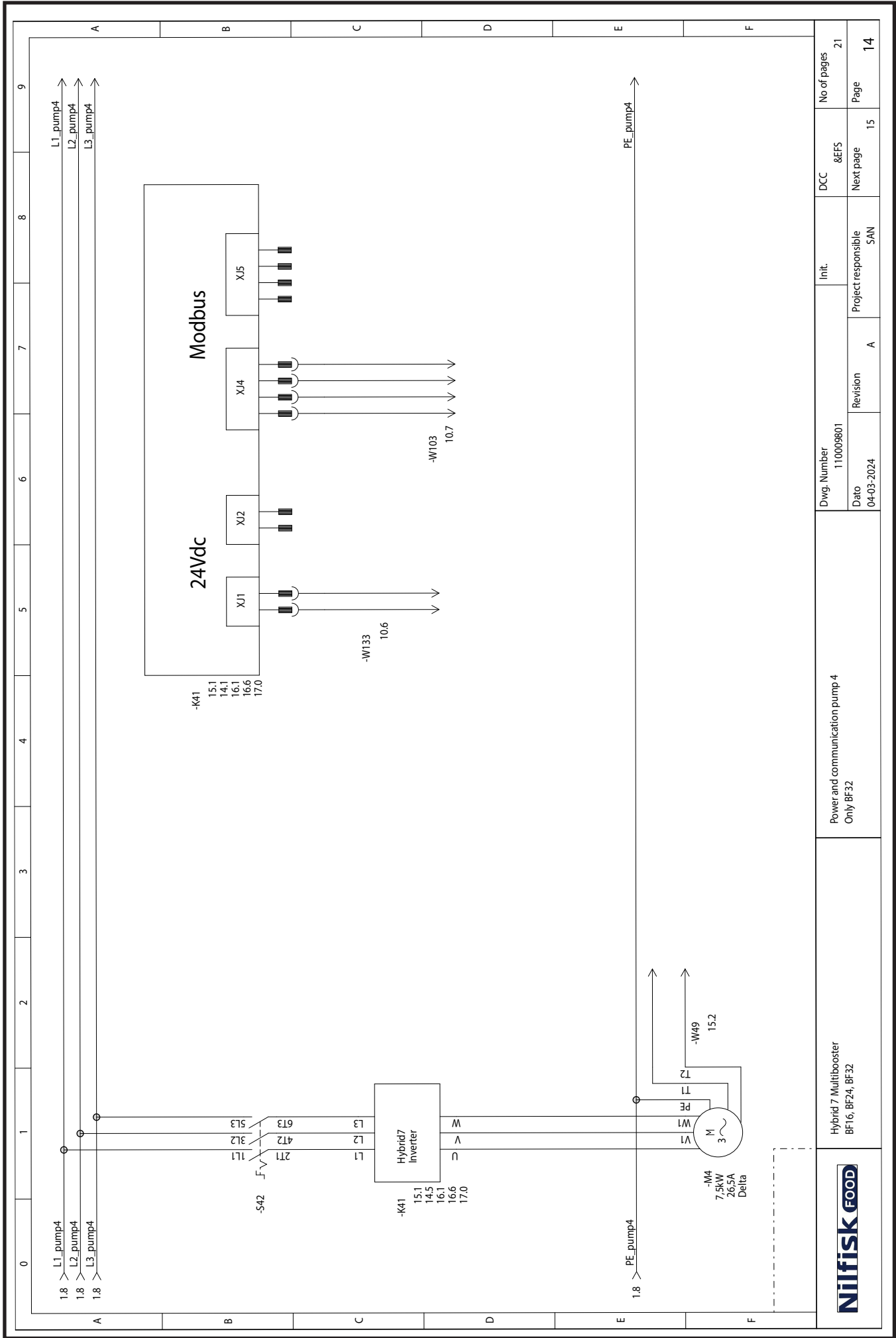
	Hybrid 7 Multibooster BF16, BF24, BF32	Sensor pump 3 Only BF24 and BF32	Dwg. Number 110009801	Init.	DCC	No of pages
			Date 04-03-2024	Revision A	&EFS Next page	21
				Project responsible SAN		Page
						11



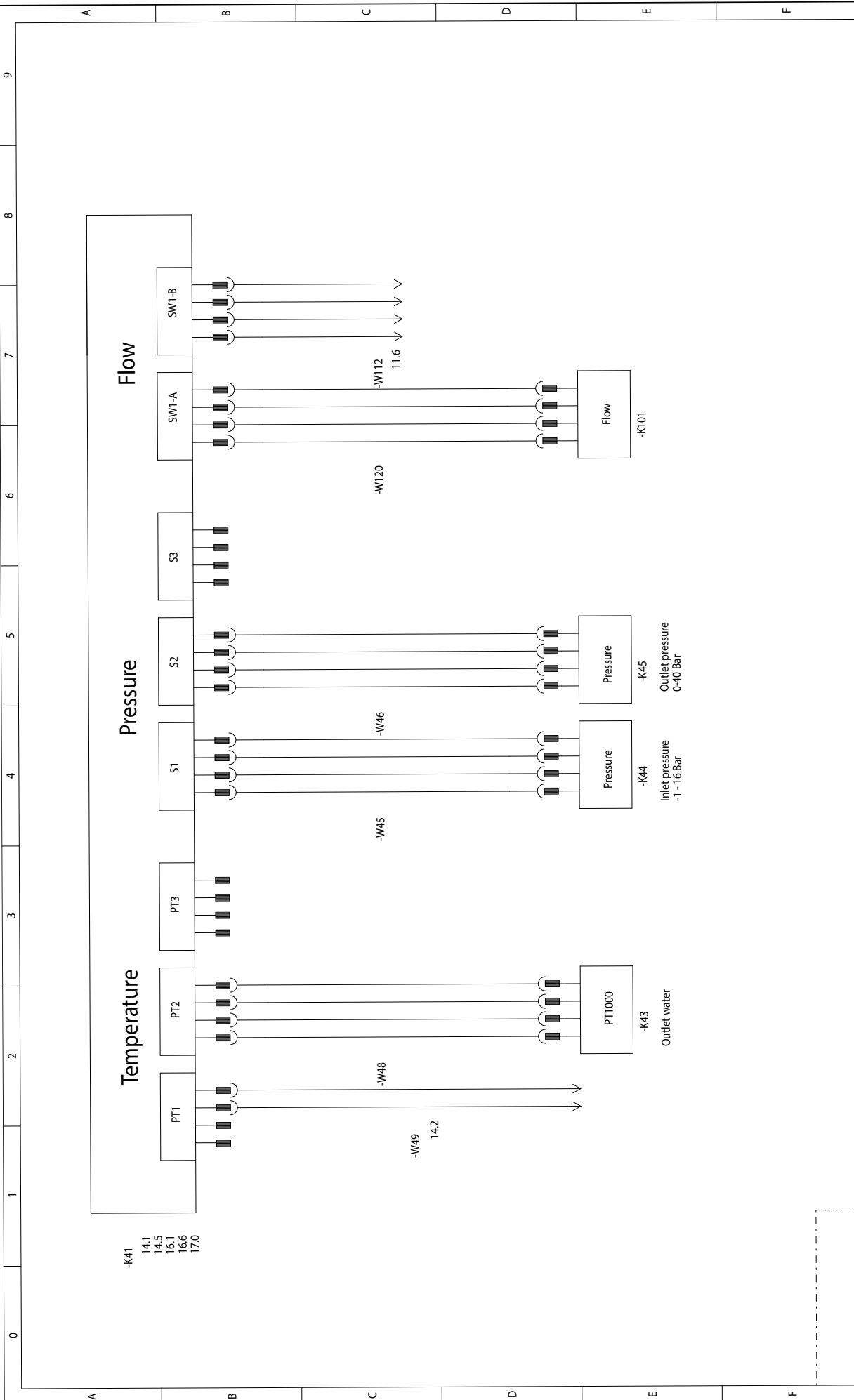
	Hybrid 7 Multibooster BF16, BF24, BF32	Output & STO pump 3 Only BF24 and BF32	Dwg. Number 110009801	Init.	DCC &EFS	No of pages 21
			Date 04-03-2024	Revision A	Project responsible SAN	Next page 13
						Page 12



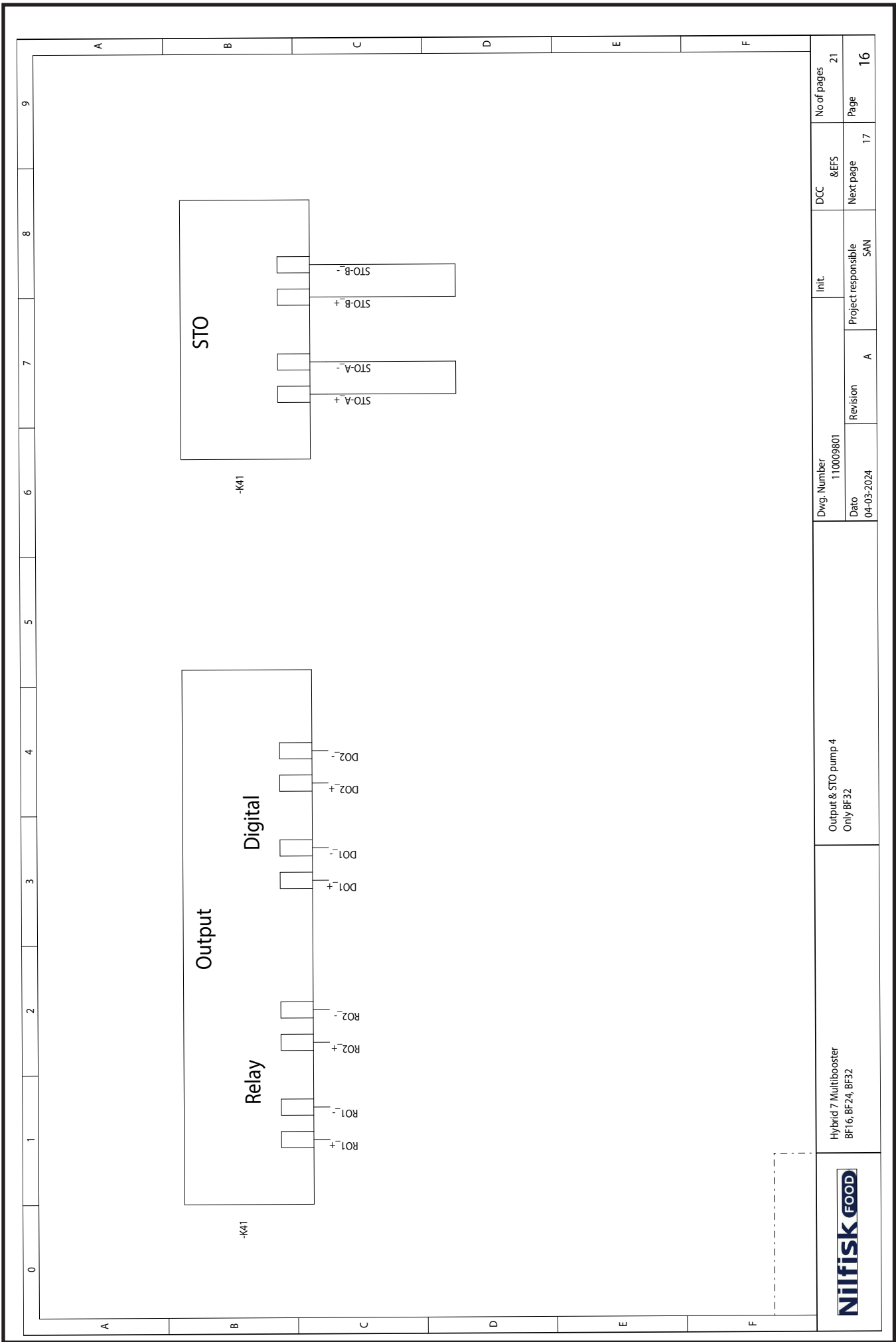
	Hybrid 7 Multibooster BF16, BF24, BF32	Input pump 3 Only BF24 and BF32	Dwg. Number 110009801	Init.	DCC &EFS	No. of pages 21
			Date 04-03-2024	Project responsible SAN	Next page 14	Page 13
			Revision A			



		Hybrid 7 Multibooster BF16, BF24, BF32	Power and communication pump 4 Only BF32	Dwg. Number 110009801	Init.	DCC &EFS	No of pages 21
				Dato 04-03-2024	Revision A	Project responsible SAN	Page 15
							Page 14




		Hybrid 7 Multibooster BF16, BF24, BF32		Sensor pump 4 Only BF32		Dwg. Number 110009801		Init.		DCC &EFS		No of pages 21	
						Date 04-03-2024		Revision A		Project responsible SAN		Next page 16	
												Page 15	

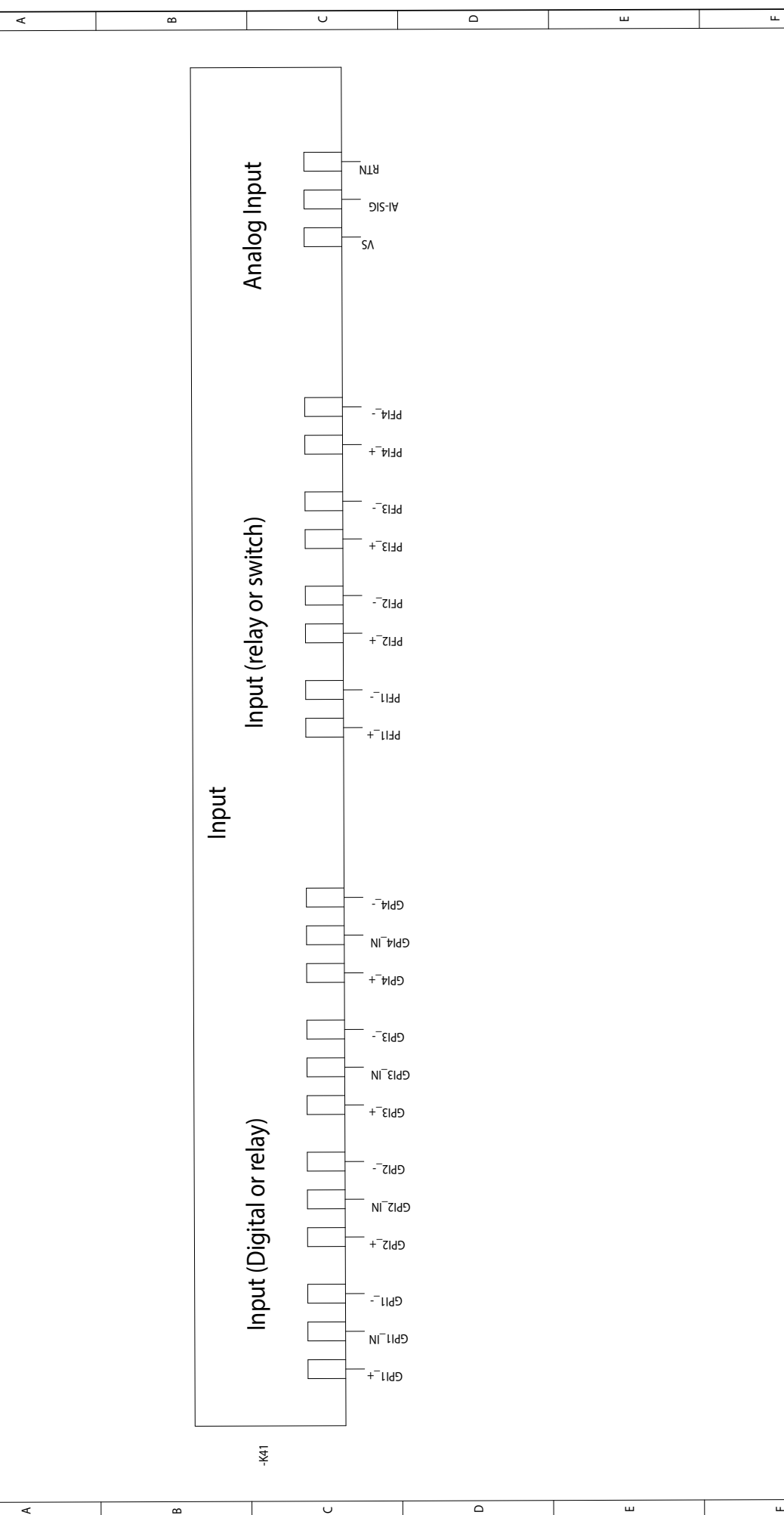


0 1 2 3 4 5 6 7 8 9

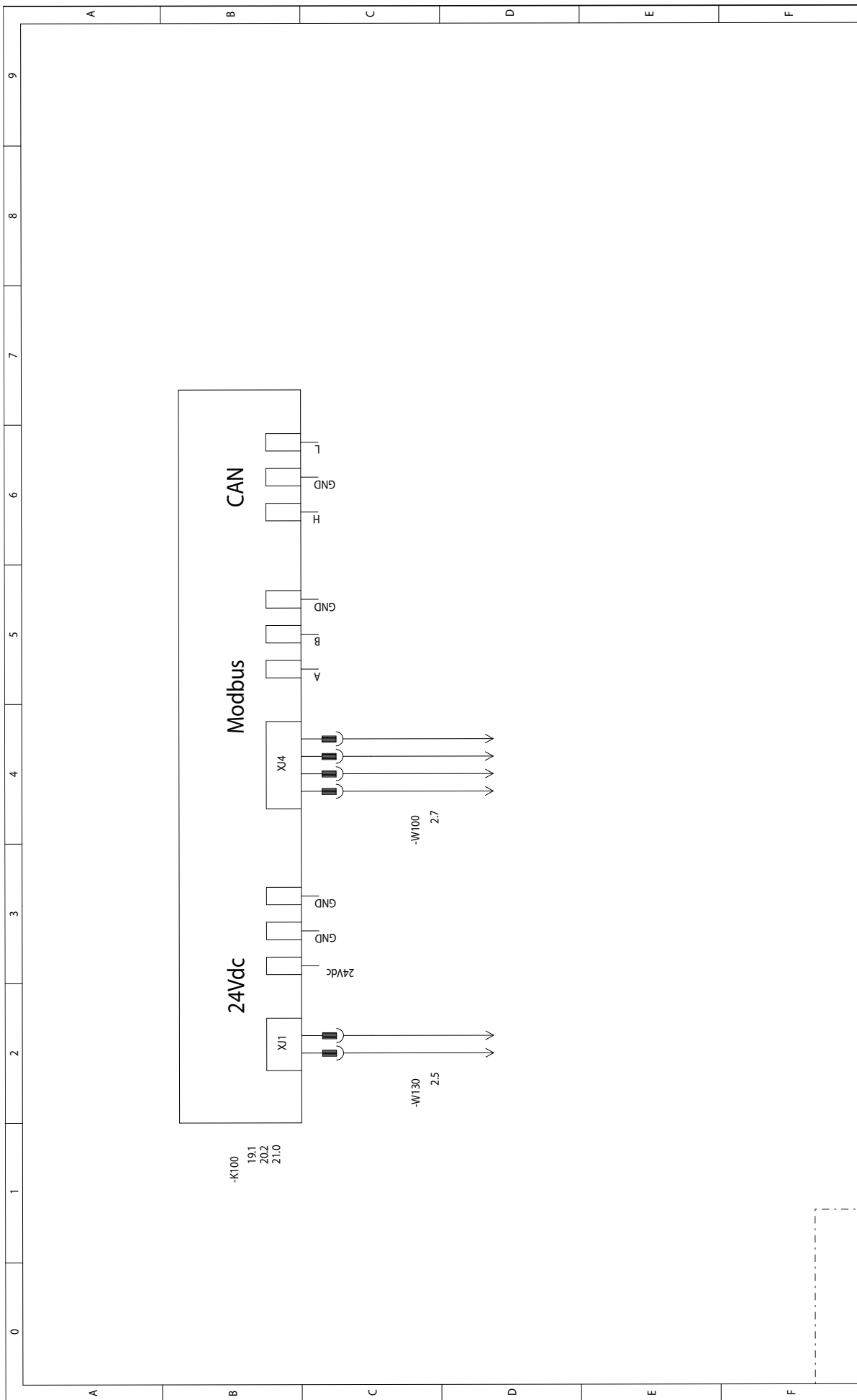
A B C D E F

	Hybrid 7 Multibooster BF16, BF24, BF32	Output & STO pump 4 Only BF32	Dwg. Number 110009801	Init.	DCC	No of pages
			Date 04-03-2024	Revision A	&EFS Next page	21
				Project responsible SAN		Page
						16

0 1 2 3 4 5 6 7 8 9



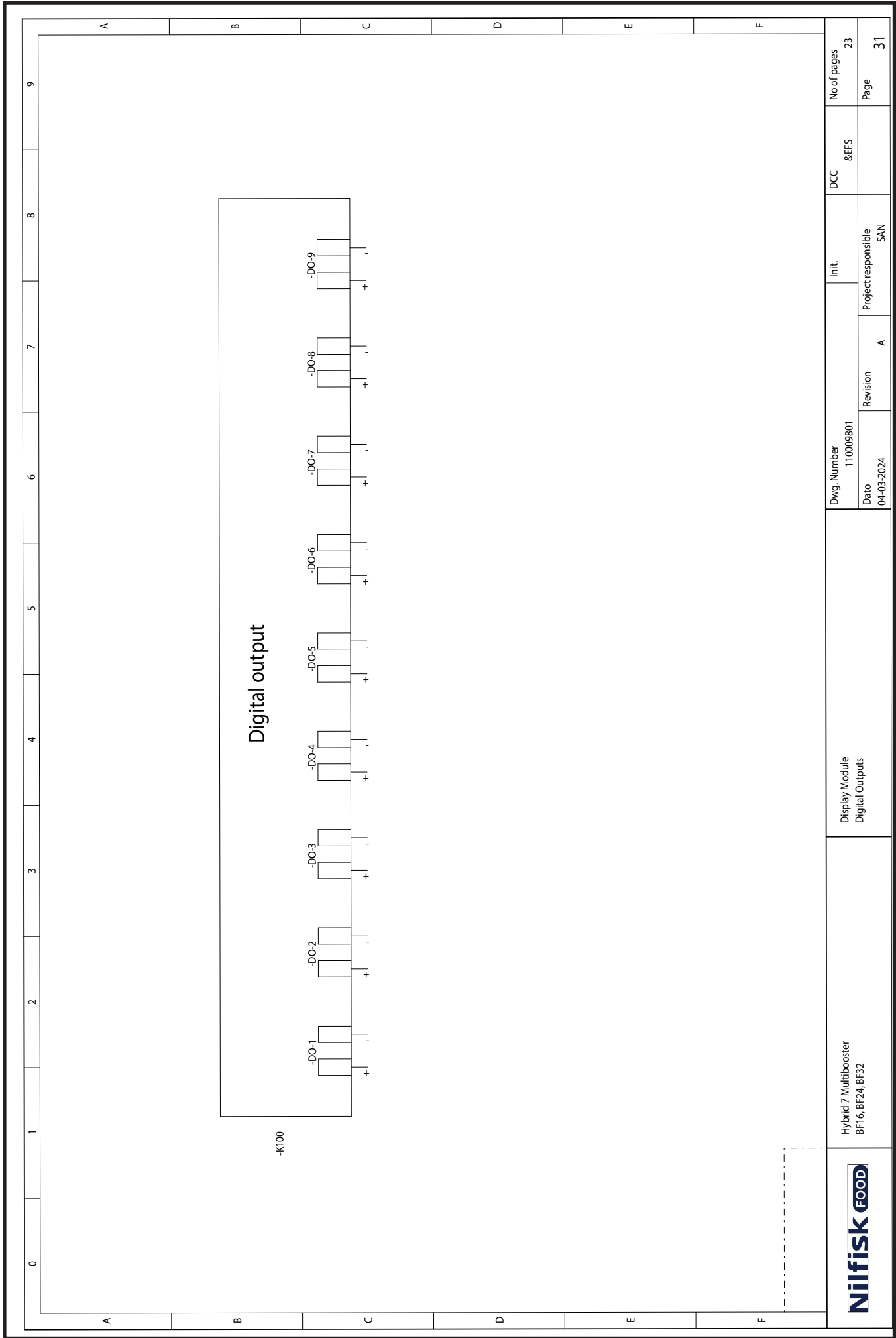
	Hybrid 7 Multibooster BF16, BF24, BF32	Input-pump 4 Only BF32	Dwg. Number 110009801	Init.	DCC &EFS	No of pages 21
			Date 04-03-2024	Project responsible SAN	Next page 18	Page 17



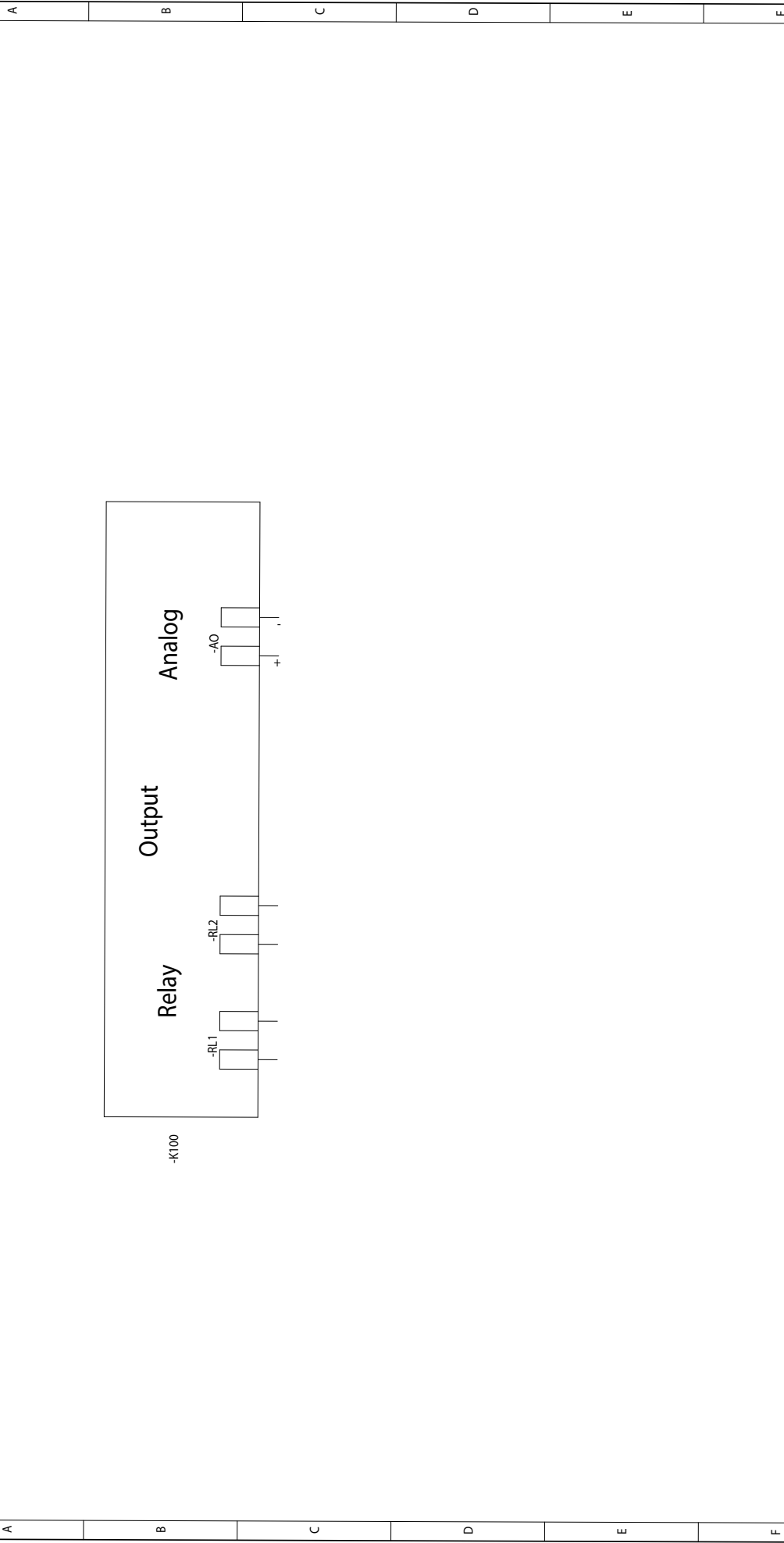
0 1 2 3 4 5 6 7 8 9

A	B	C	D	E	F
<p>Hybrid 7 Multibooster BF16, BF24, BF32</p> <p>Display Module Power Communication</p>					
Dwg. Number 110009801		Init. Project responsible SAN		DCC &EFS	
Date 04-03-2024		Revision A		No of pages 23	
				Page 30	





0 1 2 3 4 5 6 7 8 9



Hybrid 7 Multibooster
BF16, BF24, BF32

Display Module
Outputs
Relay & Analog

Dwg. Number
110009801

Date
04-03-2024

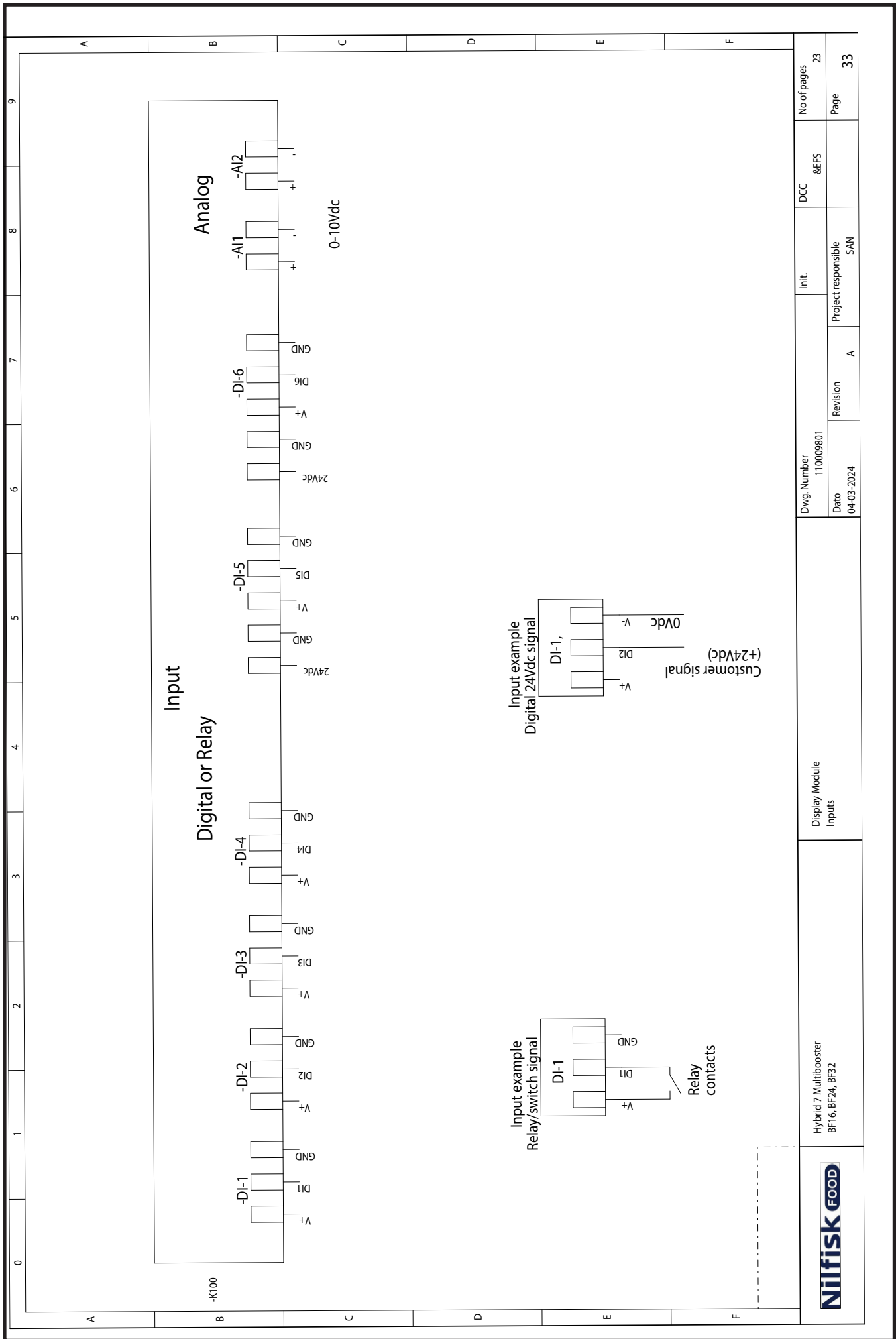
Revision
A

Init.
Project responsible
SAN

DCC
&EFS

No of pages
23

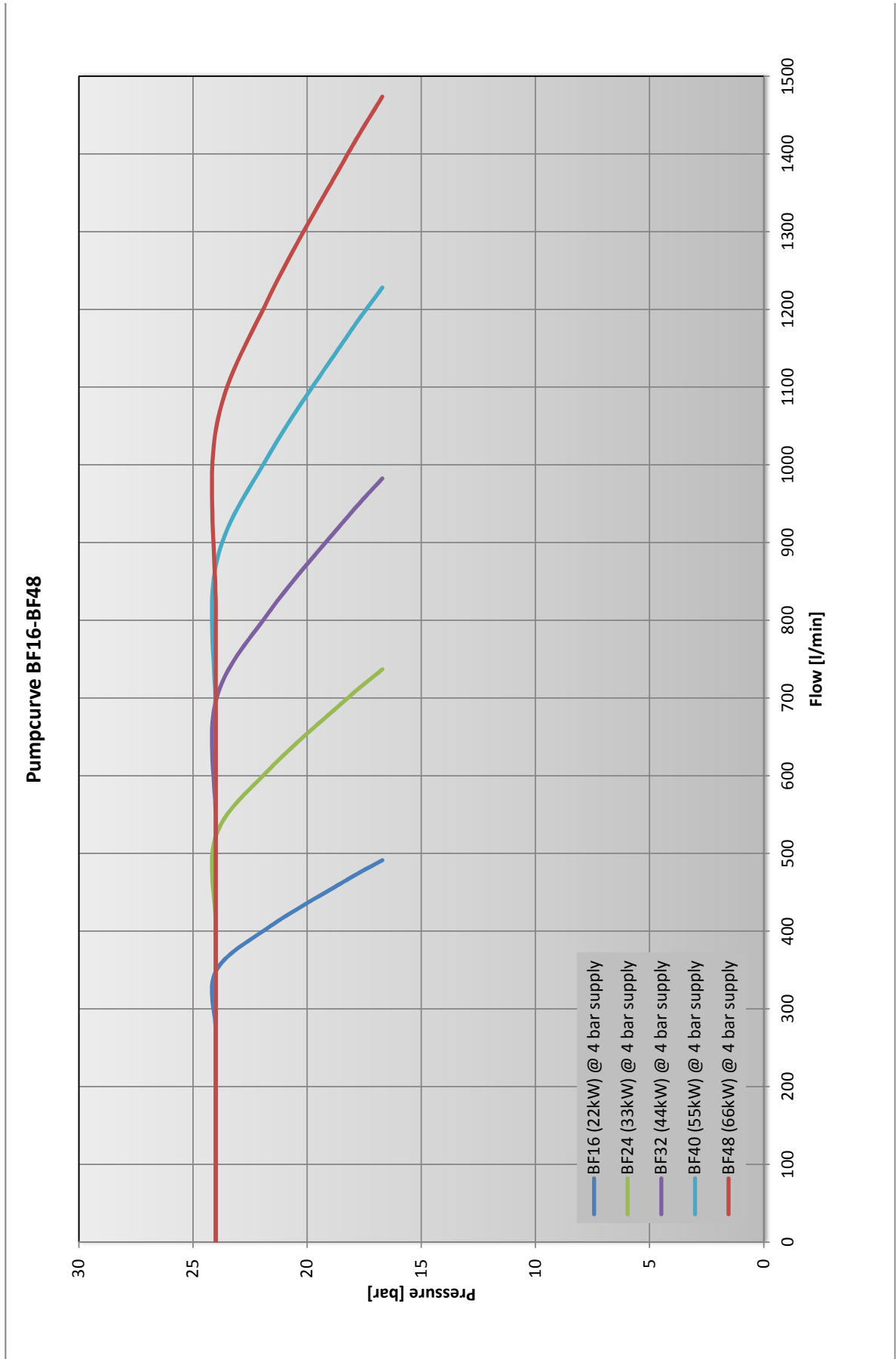
Page
32



Dwg. Number 110009801		Init.	DCC	No of pages 23
Date 04-03-2024	Revision A	Project responsible SAN		Page 33
Hybrid 7 Multibooster BF16, BF24, BF32		Display Module Inputs		



11.3. Pump curve

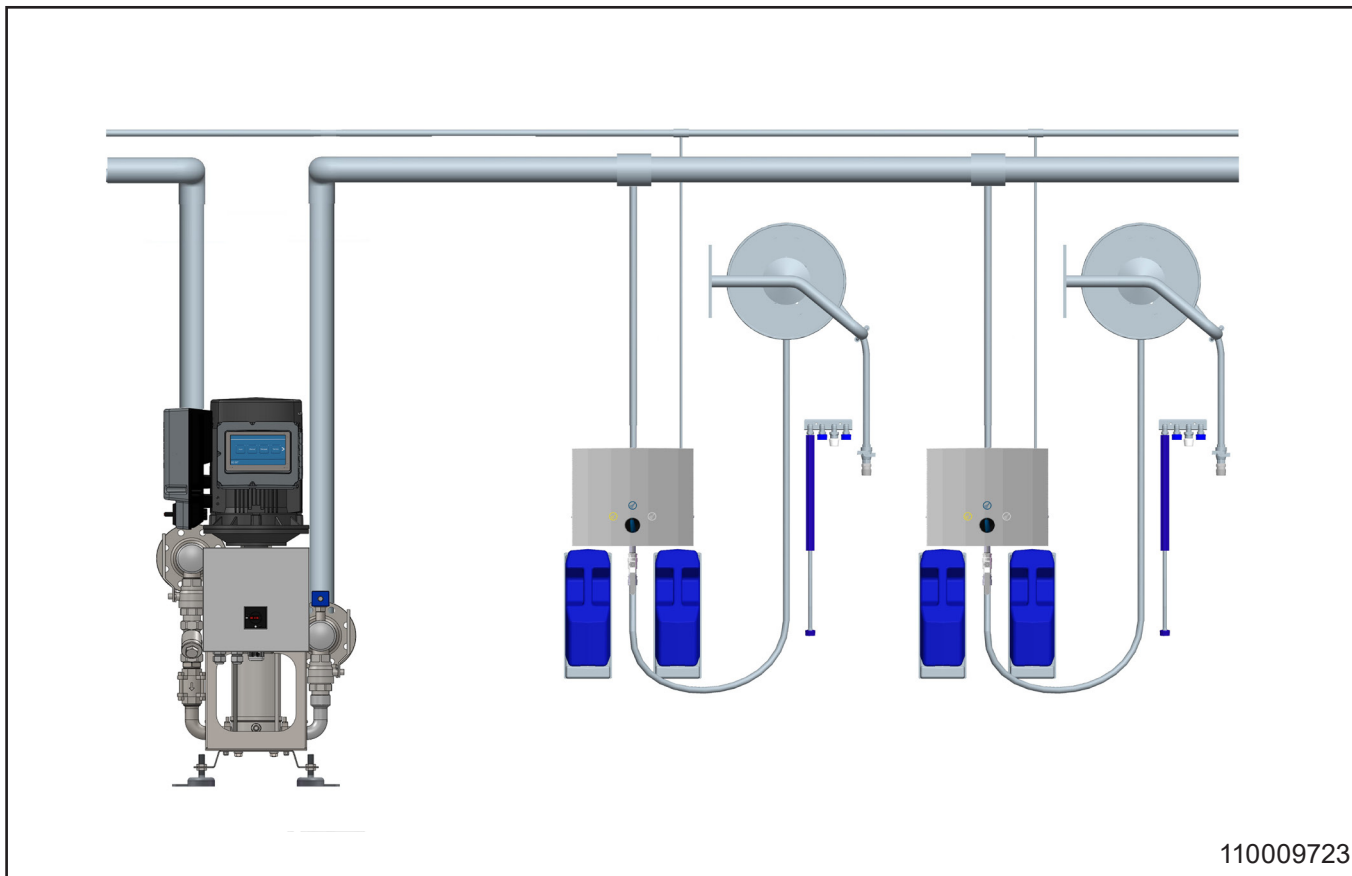


110000455

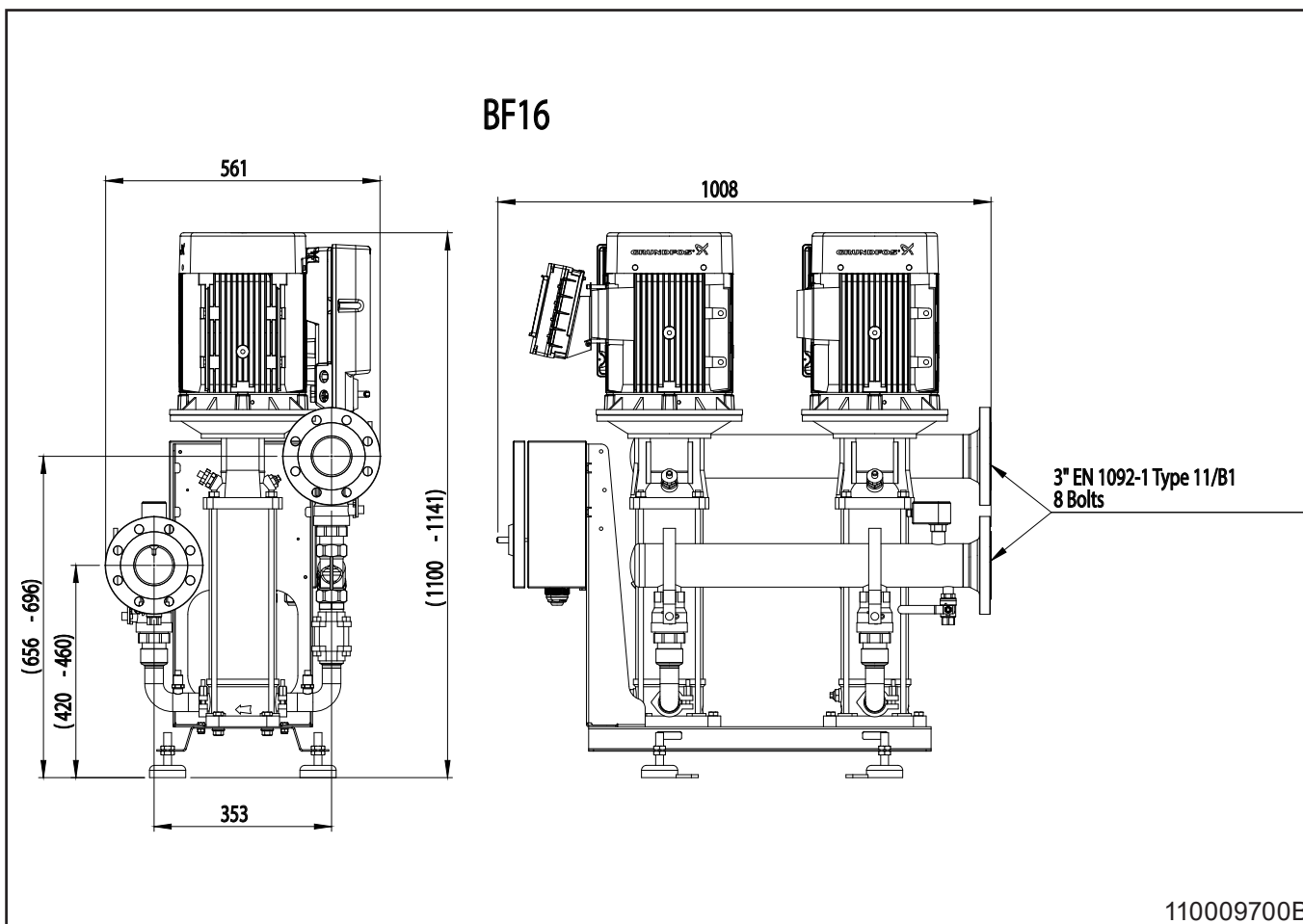
12. Installation, mounting & layout

Hybrid 7 BF16, BF24, BF32

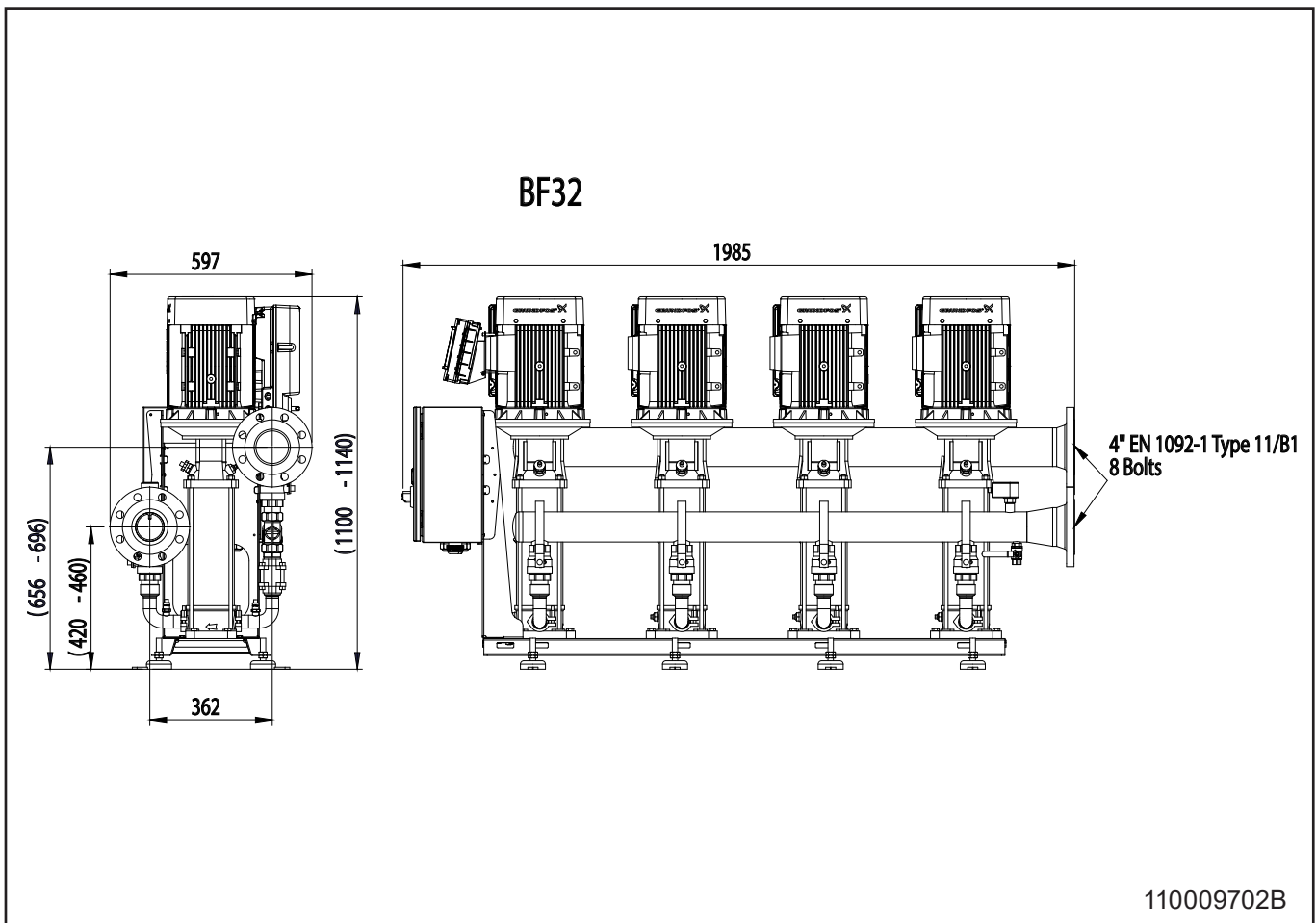
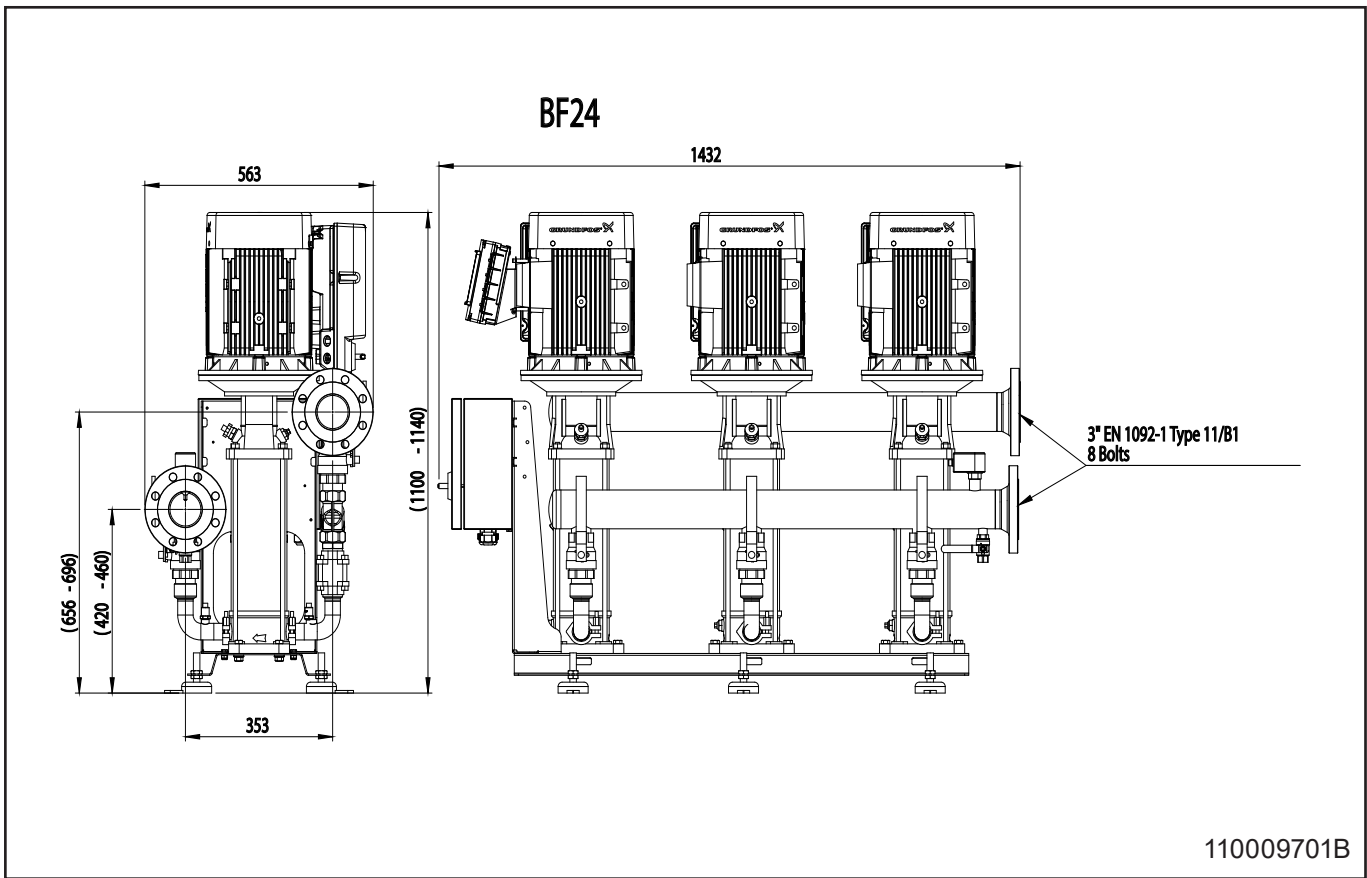
12.1. Installation & mounting BF16, BF24, BF32



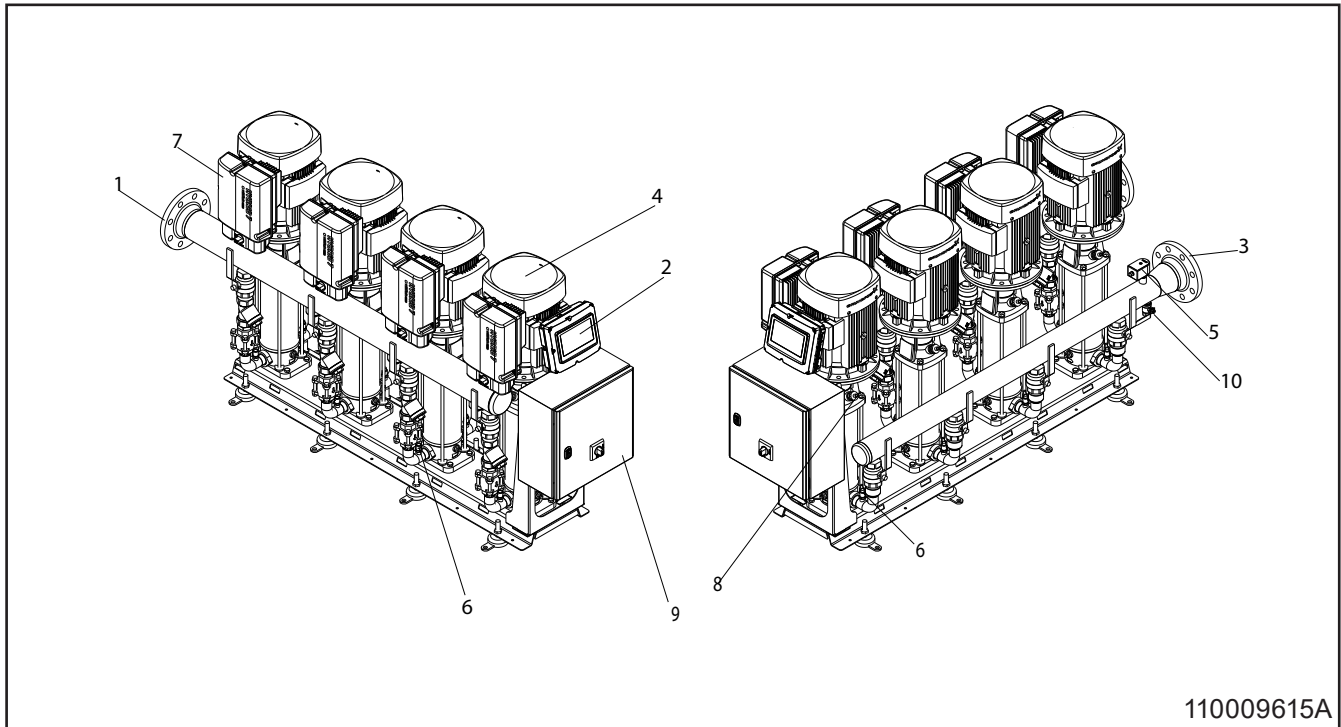
110009723



110009700B



12.3. Layout BF16, BF24, BF32



110009615A

	Danish	English	German	French
1	Vandindløb	Water inlet	Wassereinlauf	Entrée d'eau
2	Display modul	Display module	Displaymodul	Module d' affichage
3	Vandudgang	Water outlet	Wasserabfluss	Sortie d'eau
4	Pumpe	Pump	Pumpe	Pompe
5	Flowkontakt	Flow switch	Strömungs- wächter	Interrupteur de débit
6	Tryksensor	Pressure sensor	Druckregler	Capteur de pression
7	Inverter	Inverter	Wandler	Onduleur
8	Temperatursensor	Temperature sensor	Temperatur- sensor	Sonde de température
9	Elskab	Electrical cabinet	Schaltschrank	Armoire électrique
10	Afløbsventil	Drain valve		

	Spanish	Italian	Polish	Netherland
1	Entrada de agua	Ingresso dell'acqua	Doprowadzenie wody	Waterinlaat
2	Módulo de Visor	Modulo di Display	Moduł Wyświetlacz	Displaymodule
3	Salida de agua	Uscita dell'acqua	Odptyw wody	Wateruitlaat
4	Bomba	Pompa	Pompa	Pomp
5	Interruotor de flujo	Flussostato	Przełącznik przepływu	Flowschakelaar
6	Sensor de presión	Sensore de pressione	Czujnik ciśnienia	Druksensor
7	Inversor	Inverter	Falownik	Omvormer
8	Sonda de temperatura	Sensore di temperatura	Czujniki temperatury	Temperatuursensor
9	Armario eléctrico	Armadio elettrico	Szafka elektryczna	Elektrische kast
10				

No.: 1100956H 12/2024 Printed in Denmark
Serial no: 203.01.000XXX BF16, BF24, BF32

© 2023 All rights reserved

ECOLAB Engineering GmbH,
F & B Engineering Competence Centre EMEA,
Raiffeisenstraße 7,
D-83313 Siegsdorf
Telephone.: (+49) 86 62 /61 0 - Fax: (+49) 86 62 / 61 2 35
e-Mail: engineering-mailbox@ecolab.com

ECOLAB®