

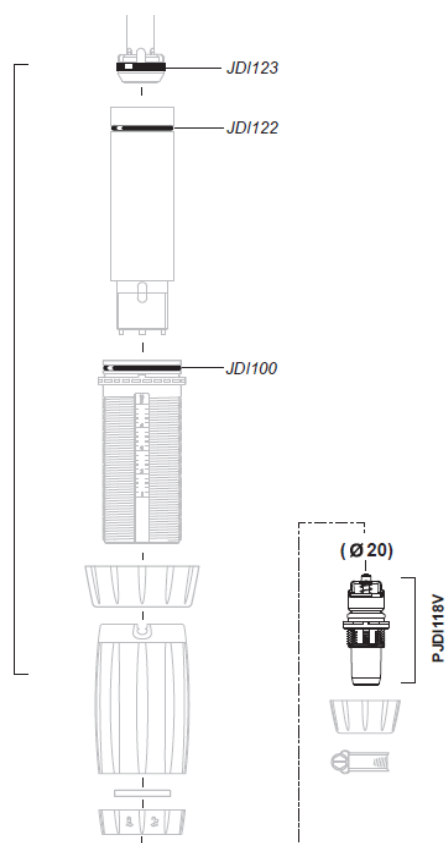
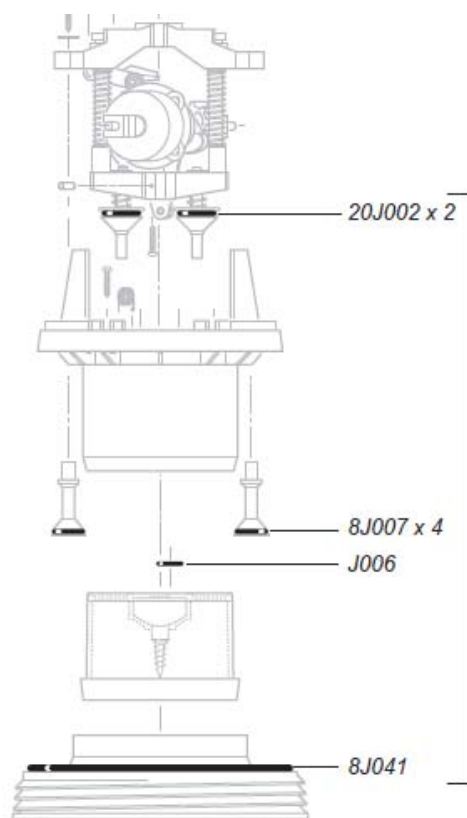
Service Information no. 214

O-ring kit for Dosatron

Due to the large number of mixing stations in the field with the Dosatron D8 (8M³) – we are introducing an o-ring kit for these units. The kits are used for service and maintenance and we recommend changing these o-rings during planned service intervals. Lengths of intervals are according to wear and tear conditions or at least once a year.

The o-ring kits are made in two versions – one kit for the dosing part of the pump and one kit for the motor part of the pump. O-ring kit for dosing comes in AF or VF like the range of mixing stations. The kit for the motor part is the same for the two versions.

Description	Item no
O-ring kit for dosing part AF (alkaline)	110003617
O-ring kit for dosing part VF (acid)	110003618
O-ring kit for motor part	110003619



Should you need any further information do not hesitate to contact Nilfisk FOODs sales department.

Best regards
Nilfisk Food

Dorthe Broe Christiansen
Dir. tel. +45 2969 5105

Dorthe.Broe.Christiansen@nilfisk-alto.com

Kasper Winde
Dir. tel. +45 2969 5103

Kasper.Winde@nilfisk-alto.com